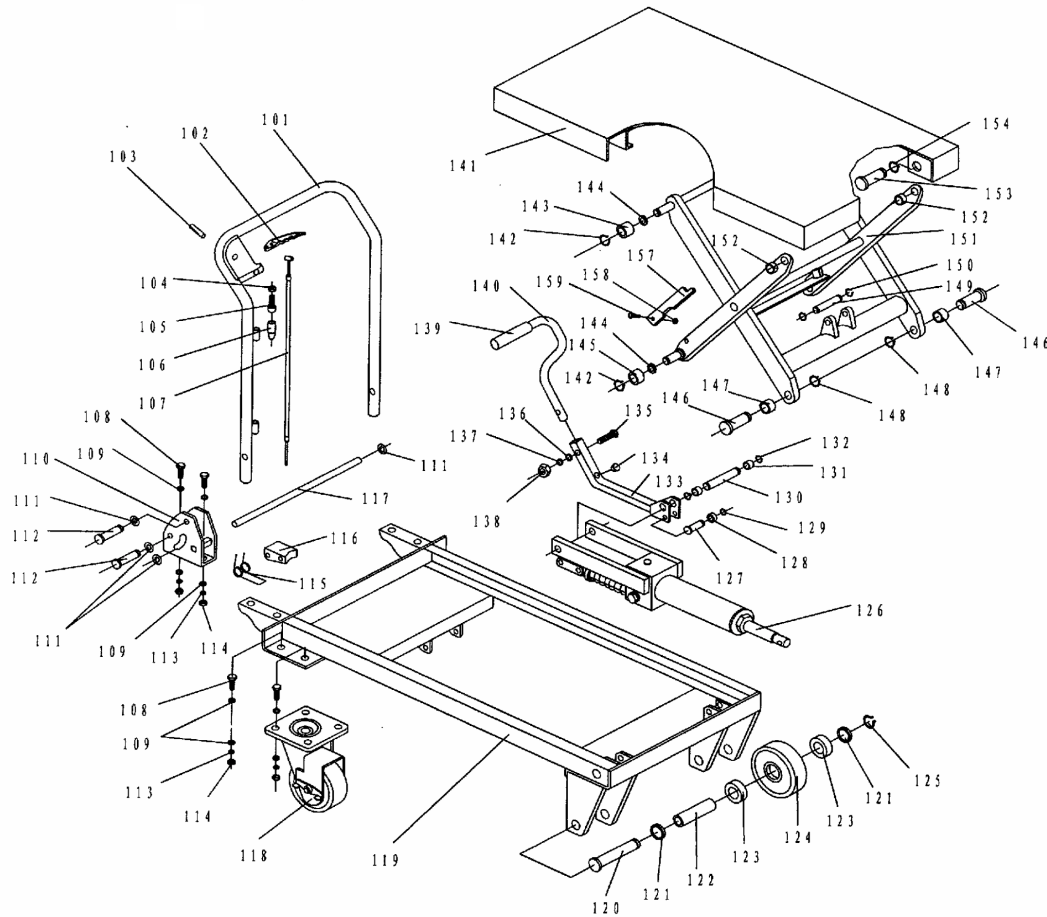
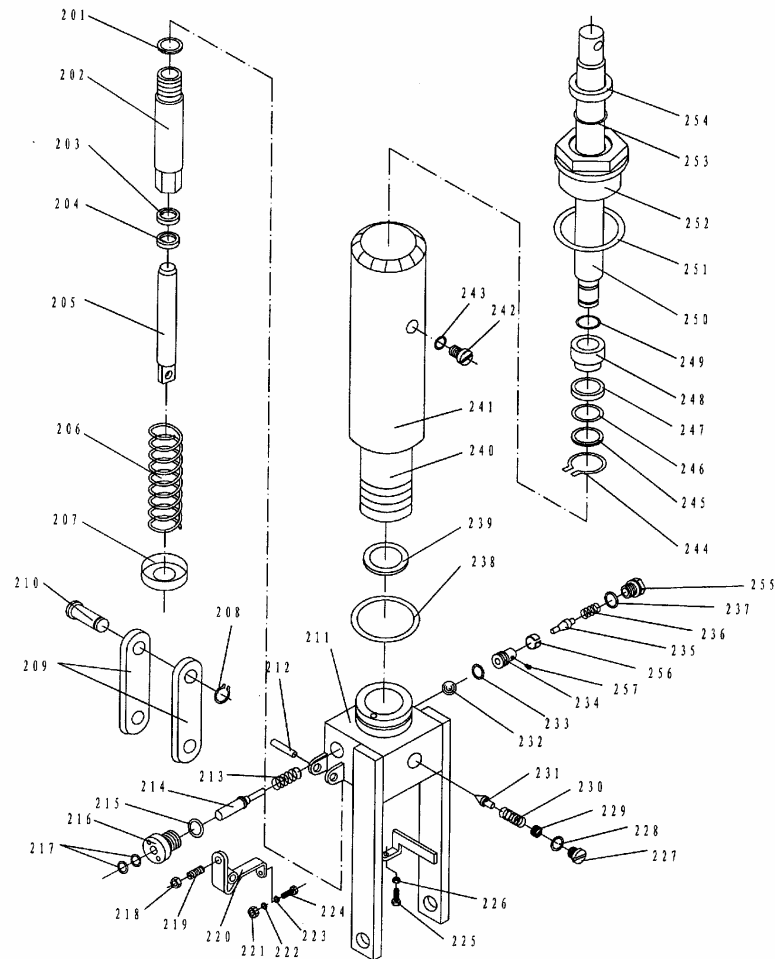


# SLC660,1100 HYD SCISSOR LIFT CART PRODUCT # 190964,8



REF	PART NUMBER	DESCRIPTION	REQ	REF	PART NUMBER	DESCRIPTION	REQ
101	PNL-190968-101	HANDLE GRIP	1	131	PNL-190968-131	WASHER	2
102	PNL-190968-102	CONTROL HANDLE	1	132	PNL-190968-132	RETAINING RING	2
103	PNL-190968-103	ELASTIC PIN	1	133	PNL-190968-133	CONNECTING ROD	1
104	PNL-190968-104	NUT	1	134	PNL-190968-134	CUSHION	1
105	PNL-190968-105	BOLT WITH HOLE	1	135	PNL-190968-135	BOLT	1
106	PNL-190968-106	JACKET	1	136	PNL-190968-136	WASHER	1
107	PNL-190968-107	PULL ROD	1	137	PNL-190968-137	ELASTIC WASHER	1
108	PNL-190968-108	BOLT	8	138	PNL-190968-138	NUT	1
109	PNL-190968-109	WASHER	8	139	PNL-190968-139	PROTECTING COVER	1
110	PNL-190968-110	HANDLE BASE GRIP	2	140	PNL-190968-140	PEDAL BAR	1
111	PNL-190968-111	ELASTIC WASHER	2	141	PNL-190968-141	TABLE	1
112	PNL-190968-112	PIN / BOLT	2	142	PNL-190968-142	RETAINING RING	6
113	PNL-190968-113	ELASTIC WASHER	8	143	PNL-190968-143	ROLLER	2
114	PNL-190968-114	NUT	8	144	PNL-190968-144	WASHER	4
118	PNL-190968-118	UNIVERSAL WHEEL	2	145	PNL-190968-145	ROLLER	2
119	PNL-190964-118	FRAME	1	146	PNL-190968-146	PIN	2
119	PNL-190968-119	FRAME	1	147	PNL-190968-147	BUSHING	2
120	PNL-190968-120	PIN	2	148	PNL-190968-148	RETAINING RING	2
121	PNL-190968-121	WASHER	4	149	PNL-190968-149	PIN	1
122	PNL-190968-122	AXLE	2	150	PNL-190968-150	RETAINING RING	2
123	PNL-190968-123	BEARING	4	151	PNL-190968-151	FORK ARM	1
124	PNL-190968-124	WHEEL	2	152	PNL-190968-152	BUSHING	2
125	PNL-190968-125	RETAINING RING	2	153	PNL-190968-153	PIN	2
126	PNL-190968-126	PUMP UNIT	1	154	PNL-190968-154	RETAINING RING	2
127	PNL-190968-127	PIN	1	157	PNL-190968-157	Support Plank	2
128	PNL-190968-128	WASHER	1	158	PNL-190968-158	Screw	2
129	PNL-190968-129	RETAINING RING	2	159	PNL-190968-159	Nut	2
130	PNL-190968-130	PIN	1				

# SLC660,1100 HYD SCISSOR LIFT CART PRODUCT # 190964,8



REF	PART NUMBER	DESCRIPTION	REQ	REF	PART NUMBER	DESCRIPTION	REQ
201	PNL-190968-201	SEAL WASHER	1	230	PNL-190968-230	SPRING	1
202	PNL-190968-202	PUMP CYLINDER	1	231	PNL-190968-231	SPINDLE OF SAFETY VALVE	1
203	PNL-190968-203	DUST RING	1	232	PNL-190968-232	STEEL BALL	1
204	PNL-190968-204	Y-SEAL	1	234	PNL-190968-233	SEAT OF PUMPING VALVE	1
205	PNL-190968-205	PUMP PISTON	1	235	PNL-190968-234	SPINDLE PUMPING VALVE	1
206	PNL-190968-206	SPRING	1	236	PNL-190968-235	SPRING	1
207	PNL-190968-207	SPRING CAP	1	237	PNL-190968-236	SEAL WASHER	1
208	PNL-190968-208	RETAINING RING	1	255	PNL-190968-237	PLUG	1
209	PNL-190968-209	JOINT PLATE	2	238	PNL-190968-238	O-RING	1
210	PNL-190968-210	PIN	1	239	PNL-190968-239	SEAL WASHER	1
211	PNL-190968-211	PUMP BODY	1	240	PNL-190968-240	CYLINDER	1
212	PNL-190968-212	ELASTIC PIN	1	241	PNL-190968-241	HOUSING	1
213	PNL-190968-213	SPRING	1	242	PNL-190968-242	BOLT	1
214	PNL-190968-214	STRIKE PIN	1	243	PNL-190968-243	SEAL WASHER	1
215	PNL-190968-215	SEAL WASHER	1	244	PNL-190968-244	RETAINING RING	1
216	PNL-190968-216	AXLE SLEEVE	1	245	PNL-190968-245	WASHER	1
217	PNL-190968-217	O-RING	2	246	PNL-190968-246	O-RING	1
218	PNL-190968-218	NUT	1	247	PNL-190968-247	CUP PACKING	1
219	PNL-190968-219	SCREW	1	248	PNL-190968-248	PISTON	1
220	PNL-190968-220	LEVER PLATE	1	249	PNL-190968-249	O-RING	1
221	PNL-190968-221	NUT	1	250	PNL-190968-250	PISTON ROD	1
222	PNL-190968-222	ELASTIC WASHER	1	251	PNL-190968-251	SEAL WASHER	1
223	PNL-190968-223	WASHER	1	252	PNL-190968-252	CYLINDER CAP	1
224	PNL-190968-224	BOLT WITH HOLE	1	253	PNL-190968-253	O-RING	1
225	PNL-190968-225	BOLT WITH HOLE	1	254	PNL-190968-254	DUST RING	1
226	PNL-190968-226	NUT	1	255	PNL-190968-255	Plug	1
227	PNL-190968-227	PLUG	1	256	PNL-190968-256	Liquid Throttle Sheath	1
228	PNL-190968-228	O-RING	1	257	PNL-190968-257	Bolt	1
229	PNL-190968-229	ADJUSTING BOLT	1				
	PNL-190968-SVA	Safety Valve Assy	1		PNL-190968-HVA	Hydraulic Valve Assy	1
	PNL-190968-LVA	Lowering Valve Assy	1				