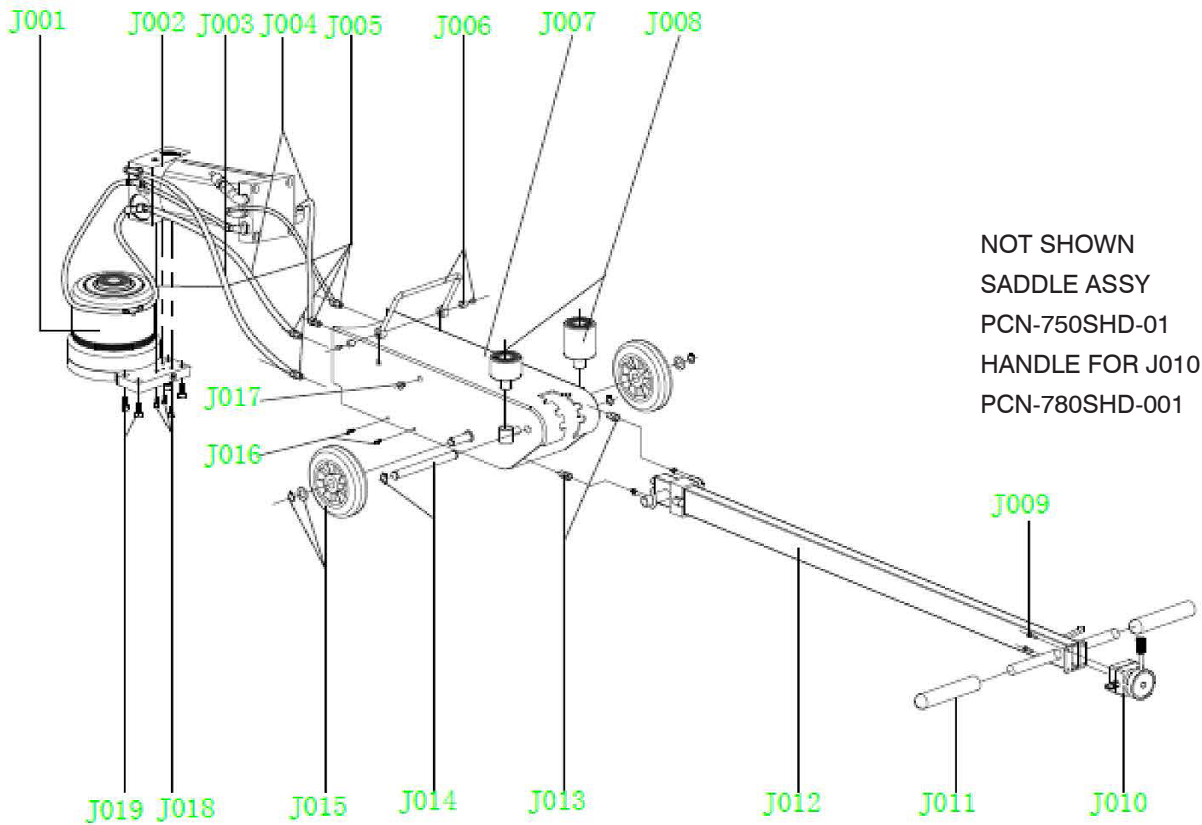


SHD HEAVY DUTY 2 STAGE JACK PROD NO 030475 MODEL 750SHD



NOT SHOWN
SADDLE ASSY
PCN-750SHD-01
HANDLE FOR J010
PCN-780SHD-001

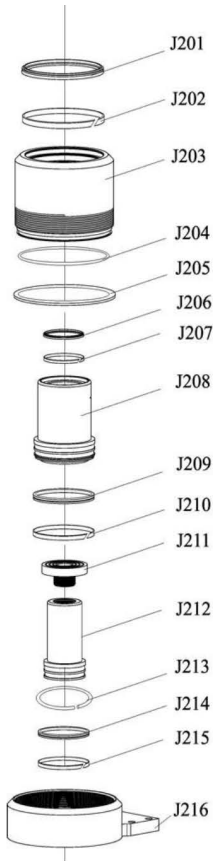
J001
COMPLETE CYL ASSY
PCN-750SHD-CYL
J002
PUMP ASSY
PCN-780SHD-J002
J003
OIL HOSE
PCN-780SHD-J003
J004
AIR HOSE
PCN-780SHD-J004
J005
TIE IN
PCN-780SHD-J005

J006
HANDLE SET
PCN-750SHD-J006
J007
TANK @ BODY
PCN-750SHD-J007
J008
2 PC ADAPTER
PCN-750SHD-80
J009
SCREW
PCN-750SHD-J009
J010
HANDLE VALVE
PCN-750SHD-84

J011
HANDLE GRIP
PCN-750SHD-J011
J012
COMPLETE HANDLE WITH J010
PCN-750SHD-HS
J013
SCREWS
PCN-750SHD-J013
J014
HANDLE PIN
PCN-750SHD-088
J015
WHEEL W CLIP
PCN-760SHD-082

J016
SCREW
PCN-750SHD-J016
J017
FILL SCREW PLUG
PCN-750SHD-J017
J018
SCREWS
PCN-750SHD-J018
J019
SCREWS
PCN-750SHD-J019

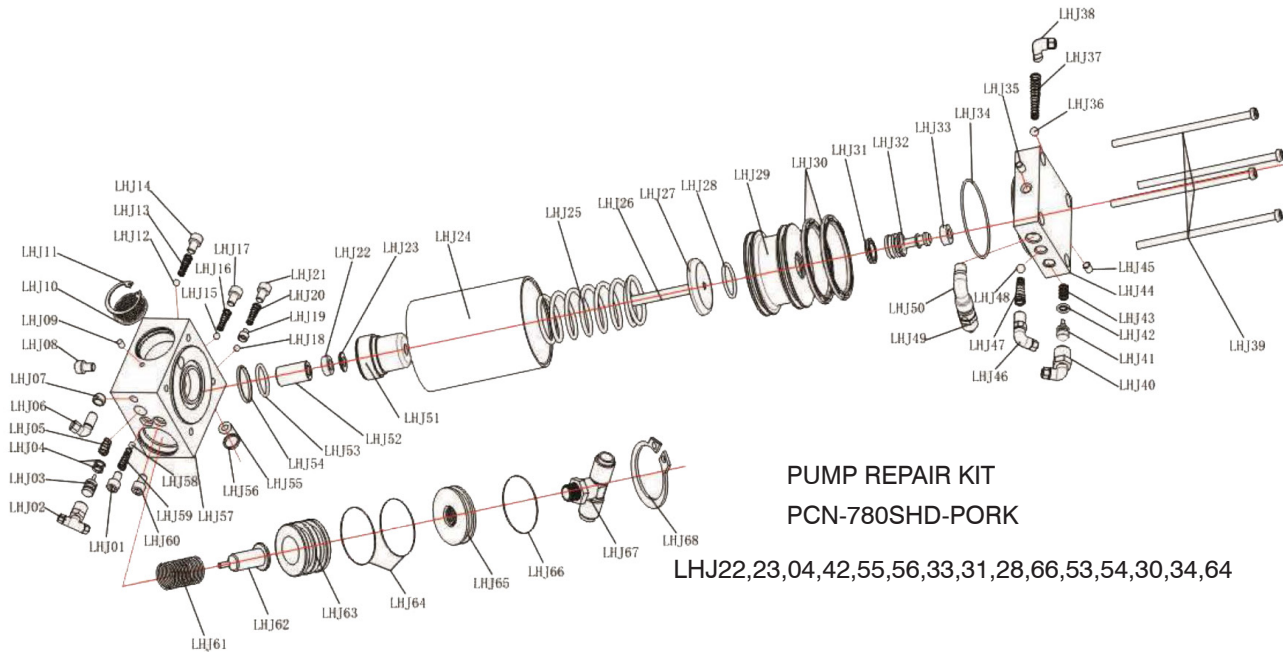
SHD HEAVY DUTY 2 STAGE JACK PROD NO 030475 MODEL 750SHD



REF	PART NO	DESCRIPTION
J201	PCN-750SHD-J201	DUSTPROOF RING
J202	PCN-750SHD-J202	GUIDE RING
J203	PCN-750SHD-J203	OUTER SLEEVE
J204	PCN-750SHD-J204	O-RING
J205	PCN-750SHD-J205	LOCKING RING
J206	PCN-750SHD-J206	DUSTPROOF RING
J207	PCN-750SHD-J207	GUIDE RING
J208	PCN-750SHD-J208	INNER SLEEVE
J209	PCN-750SHD-J209	XTP SEAL
J210	PCN-750SHD-J210	GUIDE RING
J211	PCN-750SHD-50211	TOP COVER
J212	PCN-750SHD-J212	PISTON
J213	PCN-750SHD-J213	SPRING WASHER
J214	PCN-750SHD-J214	XTP SEAL
J215	PCN-750SHD-J215	GUIDE RING
J216	PCN-750SHD-J216	BASE

PCN-750SHD-SK
CYL ASSY SEAL KIT

SHD HEAVY DUTY 2 STAGE JACK PROD NO 030475 MODEL 750SHD



**PUMP REPAIR KIT
PCN-780SHD-PORK**

LHJ22,23,04,42,55,56,33,31,28,66,53,54,30,34,64

REF	PART NUMBER	DESCRIPTION	REF	PART NUMBER	DESCRIPTION	REF	PART NUMBER	DESCRIPTION
LHJ01	PCN-780SHD-LHJ01	SCREW NUT	LHJ26	PCN-780SHD-LHJ26	PLUNGER ROD	LHJ51	PCN-780SHD-LHJ51	OIL PUMP
LHJ02	PCN-780SHD-LHJ02	TIE IN	LHJ27	PCN-780SHD-LHJ27	PLUNGER COVER	LHJ52	PCN-780SHD-LHJ52	GUIDE BUSHER
LHJ03	PCN-780SHD-LHJ03	OIL DRAIN PISTON	LHJ28	PCN-780SHD-LHJ28	O RING	LHJ53	PCN-780SHD-LHJ53	O RING
LHJ04	PCN-780SHD-LHJ04	O RING	LHJ29	PCN-780SHD-LHJ29	PISTON	LHJ54	PCN-780SHD-LHJ54	LOCKING RING
LHJ05	PCN-780SHD-LHJ05	SPRING	LHJ30	PCN-780SHD-LHJ30	PK	LHJ55	PCN-780SHD-LHJ55	O RING
LHJ06	PCN-780SHD-LHJ06	TIE IN	LHJ31	PCN-780SHD-LHJ31	Z8	LHJ56	PCN-780SHD-LHJ56	LOCKING RING
LHJ07	PCN-780SHD-LHJ07	FITTER	LHJ32	PCN-780SHD-LHJ32	PISTON	LHJ57	PCN-780SHD-LHJ57	CHECK VALVE
LHJ08	PCN-780SHD-LHJ08	SCREW NUT	LHJ33	PCN-780SHD-LHJ33	RUBBER CAP	LHJ58	PCN-780SHD-LHJ58	STEEL BALL
LHJ09	PCN-780SHD-LHJ09	SCREW NUT	LHJ34	PCN-780SHD-LHJ34	O RING	LHJ59	PCN-780SHD-LHJ59	SPRING
LHJ10	PCN-780SHD-LHJ10	SLIENCER	LHJ35	PCN-780SHD-LHJ35	SCREW NUT	LHJ60	PCN-780SHD-LHJ60	SCREW NUT
LHJ11	PCN-780SHD-LHJ11	CLAMP	LHJ36	PCN-780SHD-LHJ36	STEEL BALL	LHJ61	PCN-780SHD-LHJ61	SCREW NUT
LHJ12	PCN-780SHD-LHJ12	STEEL BALL	LHJ37	PCN-780SHD-LHJ37	SPRING	LHJ62	PCN-780SHD-LHJ62	SPRING
LHJ13	PCN-780SHD-LHJ13	SPRING	LHJ38	PCN-780SHD-LHJ38	TIE IN	LHJ63	PCN-780SHD-LHJ63	OIL DRAIN BOLT
LHJ14	PCN-780SHD-LHJ14	SCREW NUT	LHJ39	PCN-780SHD-LHJ39	SCREW	LHJ64	PCN-780SHD-LHJ64	OIL DRAIN PISTON
LHJ15	PCN-780SHD-LHJ15	STEEL BALL	LHJ40	PCN-780SHD-LHJ40	TIE IN	LHJ65	PCN-780SHD-LHJ65	END COVER
LHJ16	PCN-780SHD-LHJ16	SPRING	LHJ41	PCN-780SHD-LHJ41	PISTON	LHJ66	PCN-780SHD-LHJ66	O RING
LHJ17	PCN-780SHD-LHJ17	SCREW NUT	LHJ42	PCN-780SHD-LHJ42	O RING	LHJ67	PCN-780SHD-LHJ67	TIE IN
LHJ18	PCN-780SHD-LHJ18	STEEL BALL	LHJ43	PCN-780SHD-LHJ43	SPRING	LHJ68	PCN-780SHD-LHJ68	CLAMP
LHJ19	PCN-780SHD-LHJ19	SCREW NUT	LHJ44	PCN-780SHD-LHJ44	AIR INLET BASE			
LHJ20	PCN-780SHD-LHJ20	SPRING	LHJ45	PCN-780SHD-LHJ45	SCREW NUT			
LHJ21	PCN-780SHD-LHJ21	SCREW NUT	LHJ46	PCN-780SHD-LHJ46	TIE IN			
LHJ22	PCN-780SHD-LHJ22	B3	LHJ47	PCN-780SHD-LHJ47	SPRING			
LHJ23	PCN-780SHD-LHJ23	LOCKING RING	LHJ48	PCN-780SHD-LHJ48	STEEL BALL			
LHJ24	PCN-780SHD-LHJ24	AIR CYLINDER	LHJ49	PCN-780SHD-LHJ49	SAFE VALVE			
LHJ25	PCN-780SHD-LHJ25	SPRING	LHJ50	PCN-780SHD-LHJ50	TIE IN			