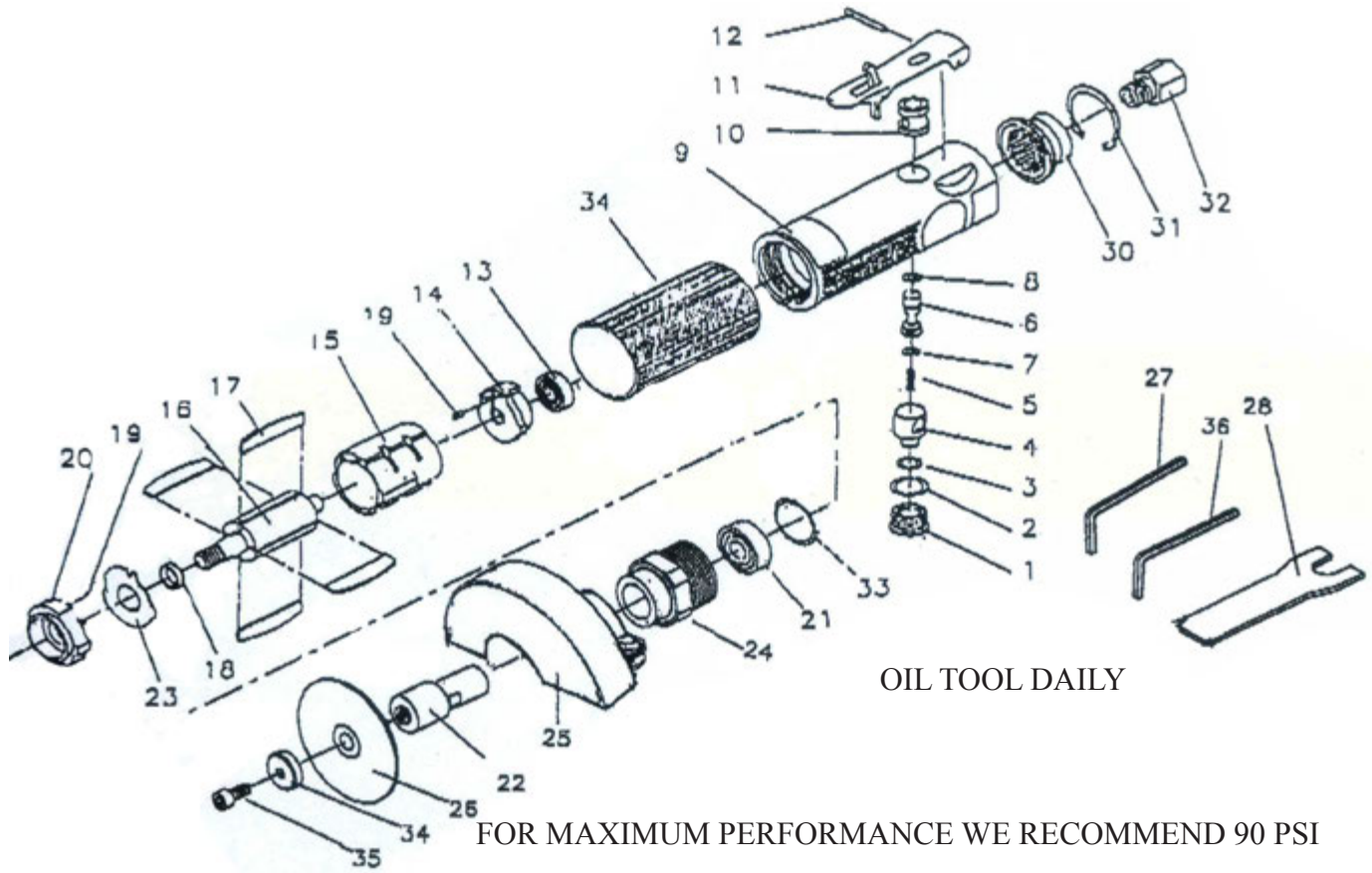


CO3HD 3" CUT OFF TOOL HEAVY DUTY PRODUCT # 409015



FOR MAXIMUM PERFORMANCE WE RECOMMEND 90 PSI

REF	PART NUMBER	DESCRIPTION	REQ	REF	PART NUMBER	DESCRIPTION	REQ
1	PUT-CO3HD-01	PLUG SCREEN	1	19	PUT-CO3HD-19	PIN	2
2	PUT-CO3HD-02	O-RING	1	20	PUT-CO3HD-20	BEARING PLATE	1
3	PUT-CO3HD-03	O-RING	1	21	PUT-CO3HD-21	BEARING	1
4	PUT-CO3HD-04	REGULATOR AIR	1	22	PUT-CO3HD-22	SPINDLE WHEEL	1
5	PUT-CO3HD-05	VALVE SPRING	1	23	PUT-CO3HD-23	STEEL PLATE	1
6	PUT-CO3HD-06	VALVE STEM	1	24	PUT-CO3HD-24	CONNECT RET	1
7	PUT-CO3HD-07	O-RING	1	25	PUT-CO3HD-25	GUARD	1
8	PUT-CO3HD-08	O-RING	1	27	PUT-CO3HD-27	HEX WRENCH	1
9	PUT-CO3HD-09	MOTOR HOUSING	1	28	PUT-CO3HD-28	WRENCH	1
10	PUT-CO3HD-10	VALVE BUSHING	1	29	PUT-CO3HD-29	BALL	1
11	PUT-CO3HD-11	LEVER	1	30	PUT-CO3HD-30	MUFFLER	1
12	PUT-CO3HD-12	LEVER PiN	1	31	PUT-CO3HD-31	RETAINING RING	1
13	PUT-CO3HD-13	BEARING	1	32	PUT-CO3HD-32	AIR INLET	1
14	PUT-CO3HD-14	BEARING PLATE	1	33	PUT-CO3HD-33	SHIM PACK	1
15	PUT-CO3HD-15	CYLINDER	1	34	PUT-CO3HD-34	HOUSING COVER	1
16	PUT-CO3HD-16	ROTOR	1	35	PUT-CO3HD-35	HEX SCREW	1
17	PUT-CO3HD-17	ROTOR BLADE	6	36	PUT-CO3HD-36	HEX WRENCH 4 MM	1
18	PUT-CO3HD-18	SPACER	1				