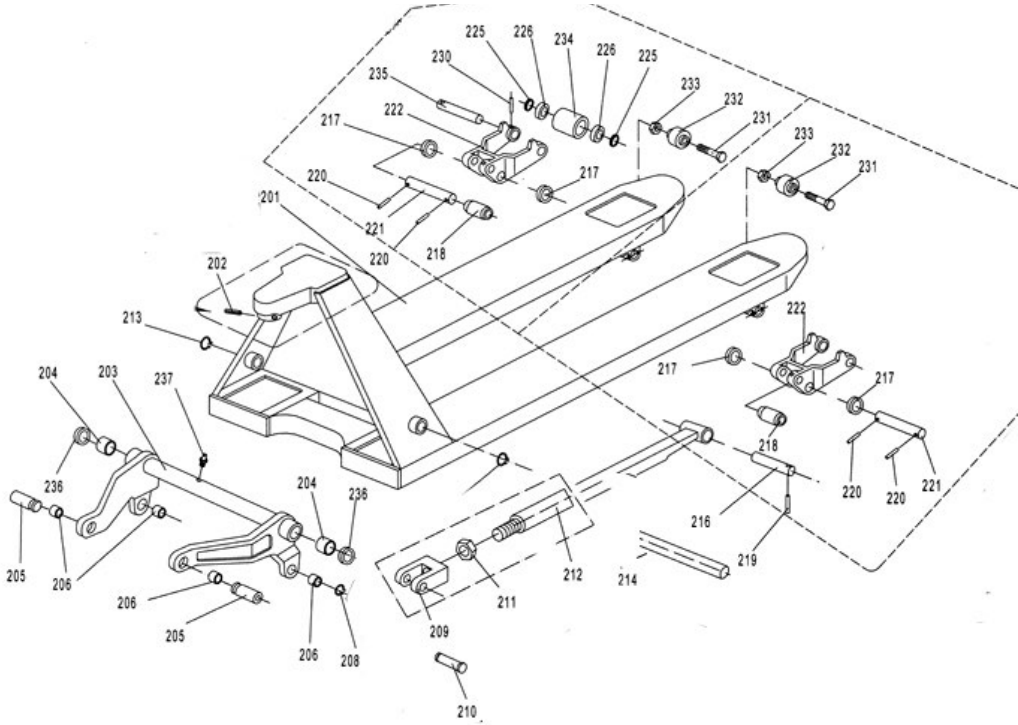
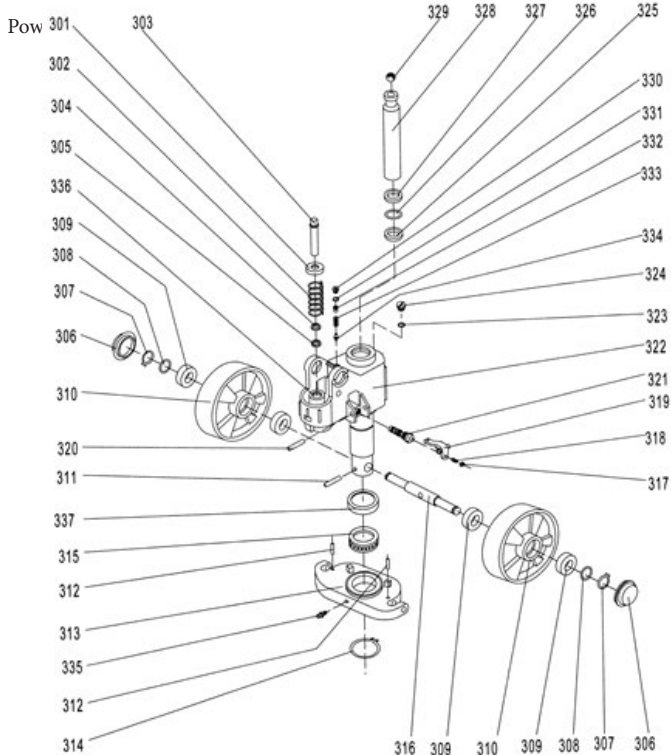
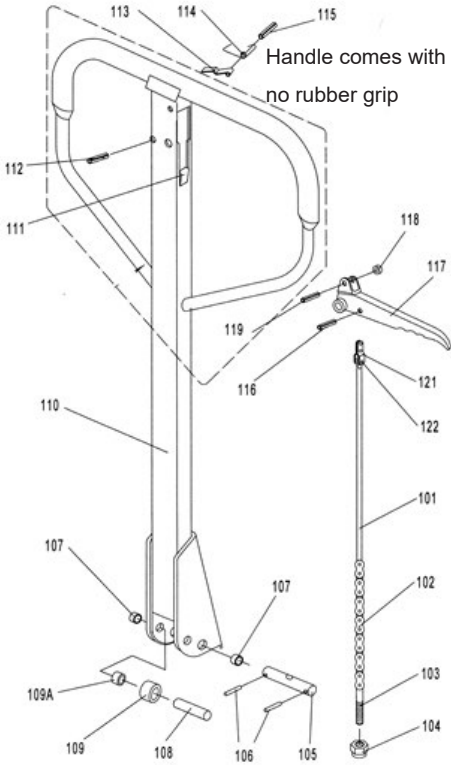




# ITC IPT5500A PALLET TRUCK PRODUCT # 024852



PNL-024852-PRK Power Unit Seal kit  
304,305,325,326,327,330,331,332,333,334,324,323,329





# ITC IPT5500A PALLET TRUCK PRODUCT # 024852

REF	PART NUMBER	DESCRIPTION	REQ	REF	PART NUMBER	DESCRIPTION	REQ
101	PNL-024852-101	Release Rod	1	231	PNL-024852-231	Bolt	2
102	PNL-024852-102	Chain	1	232	PNL-024852-232	Enter Roller	2
103	PNL-024852-103	Adjusting Bolt	1	233	PNL-024852-233	Locking Nut	2
104	PNL-024852-104	Adjusting Nut	1	234	PNL-024851-F1	Loading Roller with brg	2
105	PNL-024852-105	Axle with Hole	1	235	PNL-024852-235	Shaft for Roller	2
106	PNL-024852-106	Elastic Pin	2	236	PNL-024852-236	Washer	2
107	PNL-024852-107	Bushing	2	237	PNL-024852-237	Grease Cup	1
108	PNL-024852-108	Roller Pin	1	301	PNL-024852-301	Spring Cap	1
109	PNL-024852-109	Pressure Roller	1	302	PNL-024852-302	Spring	1
109A	PNL-024852-109A	Bushing	1	303	PNL-024852-303	Pump Piston	1
110	PNL-024852-110	Draw-bar	1	304	PNL-024852-304	Dust Ring	1
111	PNL-024852-111	Stop Rubber	1	305	PNL-024852-305	Seal	1
112	PNL-024852-112	Elastic Pin	1	306	PNL-024851-129	Dust Cover	2
113	PNL-024852-113	Blade Spring	1	307	PNL-024852-307	Locking Ring	2
114	PNL-024852-114	Spring	1	308	PNL-024852-308	Washer	2
115	PNL-024852-115	Elastic Pin	1	309	PNL-024852-309	Bearing	4
116	PNL-024852-116	Elastic Pin	1	310	PNL-024851-G	Loading Wheel w brg	2
117	PNL-024852-117	Control Handle	1	311	PNL-024852-311	Elastic Pin	1
118	PNL-024852-118	Roller	1	312	PNL-024852-312	Elastic Pin	2
119	PNL-024852-119	Elastic Pin	1	313	PNL-024852-313	Thrust Plate	1
121	PNL-024852-121	Pull Board	1	314	PNL-024852-314	Retaining Ring	1
122	PNL-024852-122	Pin	1	315	PNL-024852-315	Bearing	1
201	PNL-024852-201	Fork Frame	1	316	PNL-024852-316	Shaft of loading Wheel	1
202	PNL-024852-202	Elastic Pin	1	317	PNL-024852-317	Nut	1
203	PNL-024852-203	Rock - Arm	1	318	PNL-024852-318	Screw	1
204	PNL-024852-204	Bushing	2	319	PNL-024852-319	Lever Plate	1
205	PNL-024852-205	Shaft	2	320	PNL-024852-320	Elastic Pin	1
206	PNL-024852-206	Bushing	2	321	PNL-024852-321	Valve Cartridge	1
207	PNL-024852-207	Bushing	2	322	PNL-024852-322	Pump Body	1
208	PNL-024852-208	Retaining Ring	2	323	PNL-024852-323	Seal Washer	1
209	PNL-024852-209	Joint	2	324	PNL-024852-324	Screw Plug	1
210	PNL-024852-210	Pin	2	325	PNL-024852-325	Seal	1
211	PNL-024852-211	nut	2	326	PNL-024852-326	O - Ring	1
212	PNL-024852-212	push rod	2	327	PNL-024852-327	Dust Ring	1
213	PNL-024852-213	Retaining Ring	2	328	PNL-024852-328	Piston Rod	1
214	PNL-024852-214	Shaft	1	329	PNL-024852-329	Steel Ball	1
215	PNL-024852-215	Bushing	4	330	PNL-024852-330	Screw Plug	1
216	PNL-024852-216	Shaft	2	331	PNL-024852-331	O - Ring	1
217	PNL-024852-217	Intermediate Roller	4	332	PNL-024852-332	Bolt	1
218	PNL-024852-218	Extending Roller	2	333	PNL-024852-333	Spring	1
219	PNL-024852-219	Elastic Pin	2	334	PNL-024852-334	Spindle of Safety Valve	1
220	PNL-024852-220	Elastic Pin	4	335	PNL-024852-335	Grease Cup	1
221	PNL-024852-221	Shaft	2	336	PNL-024852-336	Cylinder	1
222	PNL-024852-222	Frame of Roller	2	337	PNL-024852-337	Cover of Bearing	1
225	PNL-024852-225	Washer	8				