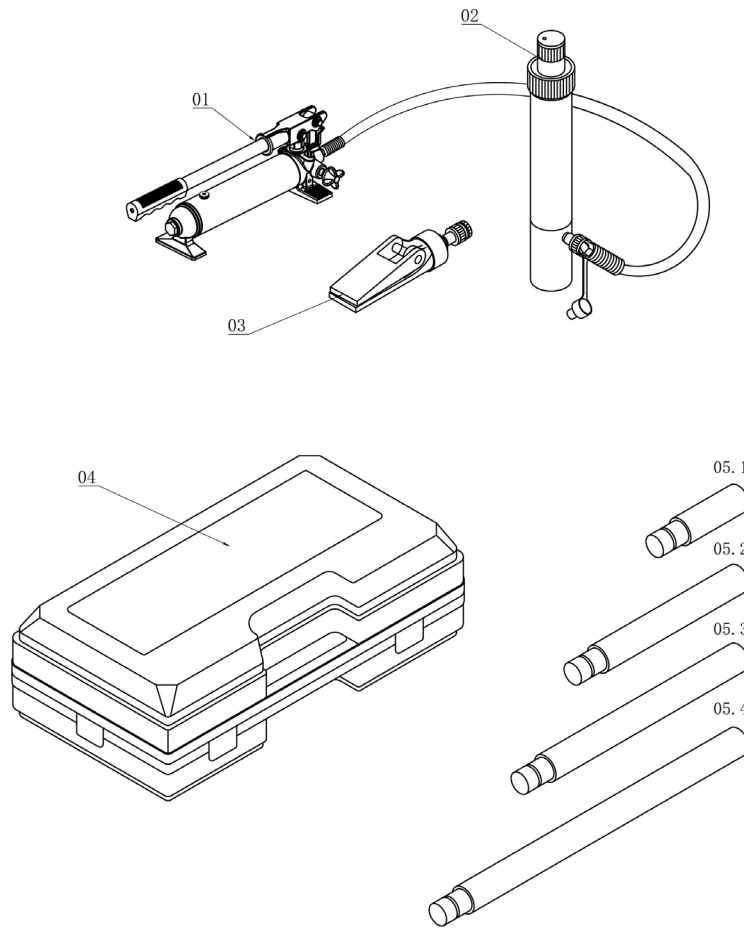
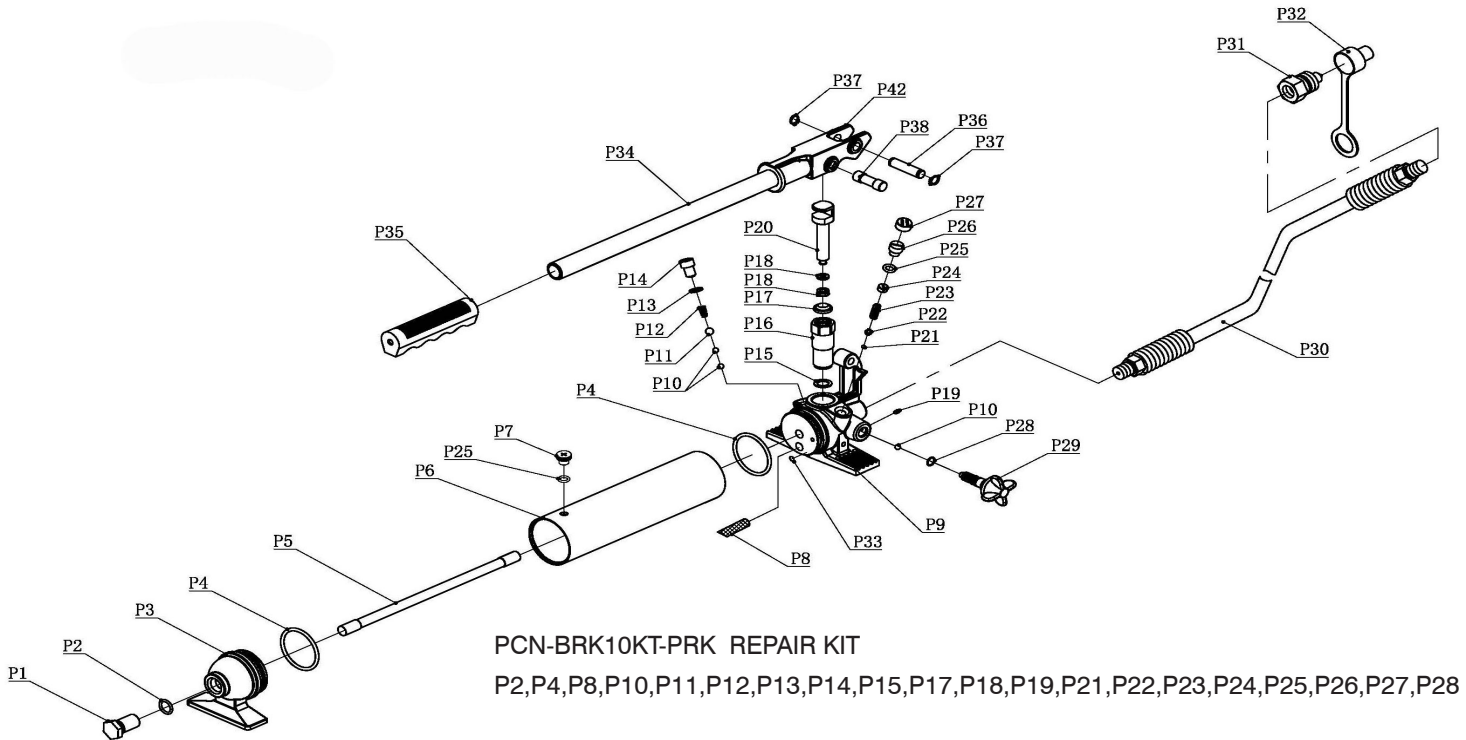


BRK-10KT 10T BODY REPAIR KIT PRODUCT 030205



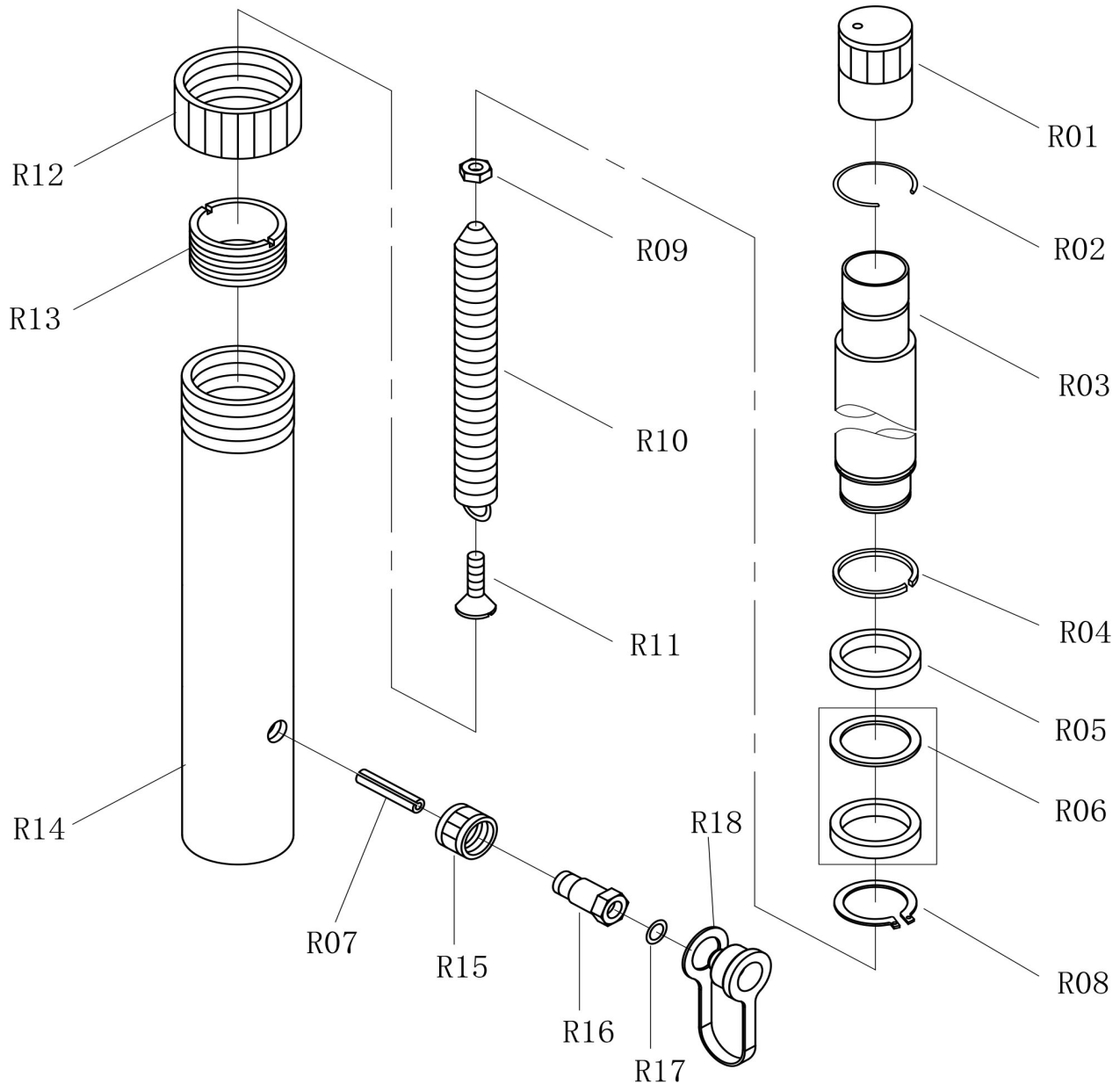
REF	PART NUMBER	DESCRIPTION	REQ	REF	PART NUMBER	DESCRIPTION	REQ
01	PCN-BRK10KT-01	PUMP	1	06	PCN-BRK10KT-06	RAM TOE	1
02	PCN-BRK10KT-02	RAM	1	07	PCN-BRK10KT-07	FLAT SADDLE	1
03	PCN-BRK10KT-03	SPREADER	1	08	PCN-BRK10KT-08	WEDGE HEAD	1
04	PCN-BRK10KT-04	BLOW CASE	1	09	PCN-BRK10KT-09	V BASE	1
05.1	PCN-BRK10KT-05.1	EXTENSION TUBE 1	1	10	PCN-BRK10KT-10	CONNECT PIN	1
05.2	PCN-BRK10KT-05.2	EXTENSION TUBE 2	1	11	PCN-BRK10KT-11	ROUND SADDLE	1
05.3	PCN-BRK10KT-05.3	EXTENSION TUBE 3	1	12	PCN-BRK10KT-12	RUBBER SADDLE	1
05.4	PCN-BRK10KT-05.4	EXTENSION TUBE 4	1	13	PCN-BRK10KT-13	BASE	1

BRK-10KT 10T BODY REPAIR KIT PRODUCT 030205



REF	PART NUMBER	DESCRIPTION	REQ	REF	PART NUMBER	DESCRIPTION	REQ
P1	PCN-BRK10KT-P1	SCREW	1	P20	PCN-BRK10KT-P20	PISTON	1
P2	PCN-BRK10KT-P2	O-RING	1	P21	PCN-BRK10KT-P21	STEEL BALL	1
P3	PCN-BRK10KT-P3	CAP	1	P22	PCN-BRK10KT-P22	STEEL BALL SEAT	1
P4	PCN-BRK10KT-P4	O-RING	2	P23	PCN-BRK10KT-P23	SPRING	1
P5	PCN-BRK10KT-P5	PULLING ROD	1	P24	PCN-BRK10KT-P24	SCREW	1
P6	PCN-BRK10KT-P6	OIL TANK	1	P25	PCN-BRK10KT-P25	O-RING	2
P7	PCN-BRK10KT-P7	SCREW	1	P26	PCN-BRK10KT-P26	SCREW	1
P8	PCN-BRK10KT-P8	FILTER	1	P27	PCN-BRK10KT-P27	CAP	1
P9	PCN-BRK10KT-P9	PUMP BASE	1	P28	PCN-BRK10KT-P28	O-RING	1
P10	PCN-BRK10KT-P10	STEEL BALL	3	P29	PCN-BRK10KT-P29	RELEASE VALVE	1
P11	PCN-BRK10KT-P11	STEEL BALL	1	P31	PCN-BRK10KT-P31	MALE CONNECTOR	1
P12	PCN-BRK10KT-P12	SPRING	1	P32	PCN-BRK10KT-P32	DUST COVER	1
P13	PCN-BRK10KT-P13	WASHER	1	P33	PCN-BRK10KT-P33	STEEL	1
P14	PCN-BRK10KT-P14	SCREW	1	P34	PCN-BRK10KT-P34	HANDLE	1
P15	PCN-BRK10KT-P15	COPPER WASHER	1	P35	PCN-BRK10KT-P35	HANDLE COVER	1
P16	PCN-BRK10KT-P16	PISTON BASE	1	P36	PCN-BRK10KT-P36	PIN	1
P17	PCN-BRK10KT-P17	DUST RING	1	P37	PCN-BRK10KT-P37	RETAINER RING	2
P18	PCN-BRK10KT-P18	U-RING	1	P38	PCN-BRK10KT-P38	PIN	1
P19	PCN-BRK10KT-P19	SCREW	1				

BRK-10KT 10T BODY REPAIR KIT PRODUCT 030205



REF	PART NUMBER	DESCRIPTION	REQ	REF	PART NUMBER	DESCRIPTION	REQ
R01	PCN-BRK10KT-R01	COVER FOR PISTON ROD	1	R10	PCN-BRK10KT-R10	SPRING	1
R02	PCN-BRK10KT-R02	RETAINER RING	1	R11	PCN-BRK10KT-R11	SCREW	1
R03	PCN-BRK10KT-R03	PISTON ROD	1	R12	PCN-BRK10KT-R12	COVER FOR RAM	1
R04	PCN-BRK10KT-R04	RETAINER RING	1	R13	PCN-BRK10KT-R13	LIMITED RING	1
R05	PCN-BRK10KT-R05	WASHER	1	R14	PCN-BRK10KT-R14	RAM	1
R06	PCN-BRK10KT-R06	U-RING	1	R15	PCN-BRK10KT-R16A	CAP	1
R07	PCN-BRK10KT-R07	PIN	1	R16	PCN-BRK10KT-R16A	CONNECTOR ASSY	1
R08	PCN-BRK10KT-R08	RETAINER RING	1	R17	PCN-BRK10KT-R16A	O-RING	1
R09	PCN-BRK10KT-R09	NUT	1	R18	PCN-BRK10KT-R16A	DUST RING	1