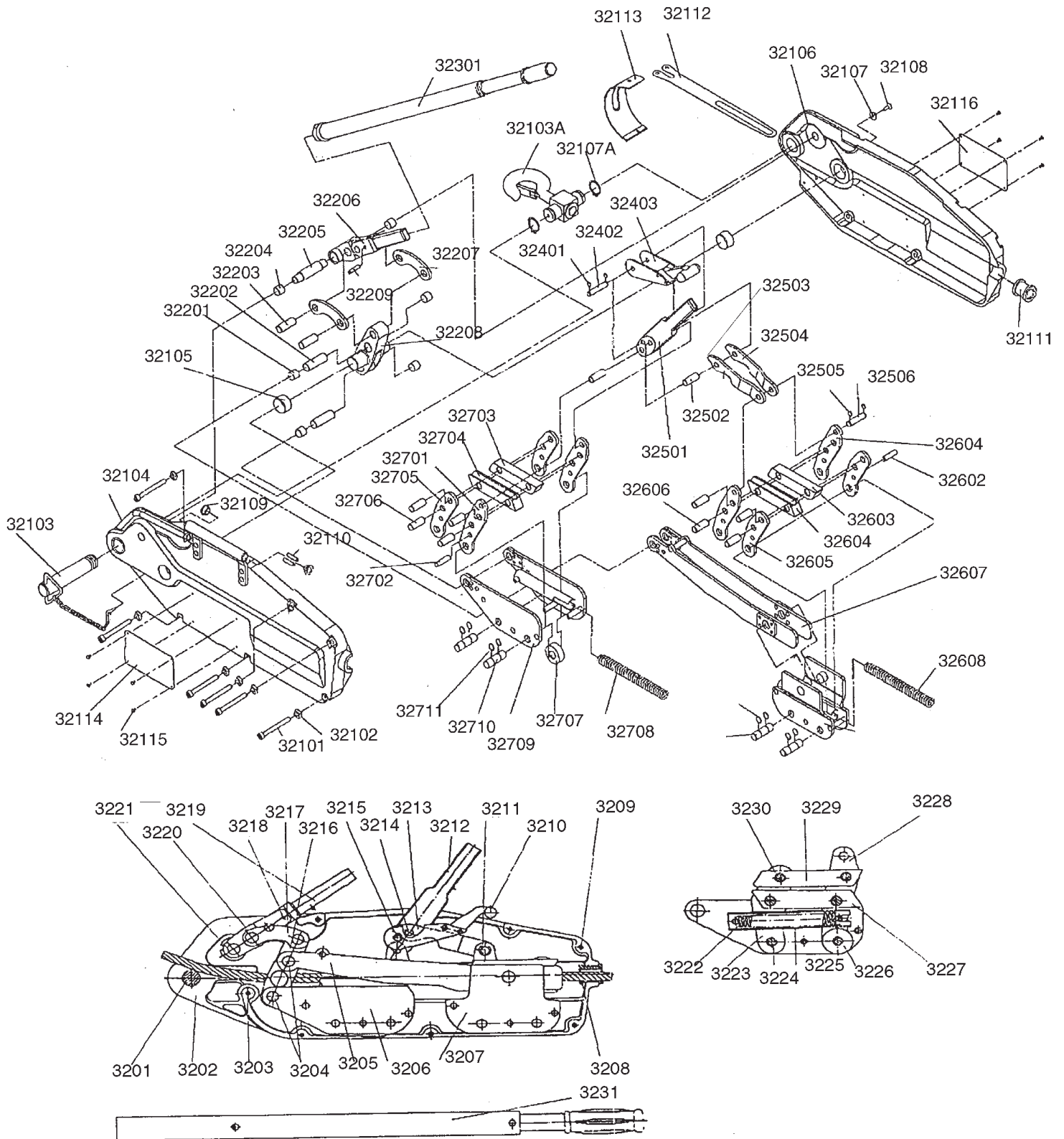


JGP300A | 3 T GRIP PULLER PARTS BREAKDOWN | PROD. NO. 111138



JGP300A | 3 T GRIP PULLER PARTS LIST | PROD. NO. 111138

REF.	PART NUMBER	DESCRIPTION	REQ.	REF.	PART NUMBER	DESCRIPTION	REQ.
3201	PWC-SGP300-3201	ANCHOR PIN	1	32116	PWC-SGP30-32116	INSTRUCTION PLATE	1
3202	PWC-SGP300-3202	CASE LEFT/RIGHT SIDE	2	32201	PWC-SGP300-32201	BUSH FOR CRANK AXLE NO LONGER USED	
3203	PWC-SGP300-3203	LONG HEX HEAD CASE BOLT	1	32202	PWC-SGP300-3204	CRANK AXLE	2
3204	PWC-SGP300-3204	CRANK AXLE	1	32203	PWC-SGP300-3220	CONNECTING ROD AXLE	2
3205	PWC-SGP300-3205	CONNECTING ROD	1	32204	PWC-SGP30-32204	BUSH FOR OPERATING HANDLE AXLE	2
3206	PWC-SGP300-3206	FRONT JAW BLOCK	1	32205	PWC-SGP300-3221	OPERATING HANDLE AXLE	1
3207	PWC-SGP300-3207	REAR JAW BLOCK	1	32206	PWC-SGP300-3219	OPERATING LEVER	1
3208	PWC-SGP300-3208	ROPE GUIDE	1	32207	PWC-SGP300-3217	CONNECTING ROD	1
3209	PWC-SGP300-3209	HOUSING SCREW BOLT	6	32208	PWC-SGP300-3216	SHAKE ROD	1
3210	PWC-SGP300-3210	RELEASE HANDLE	1	32209	PWC-SGP150-18	SHEAR PIN	1
3211	PWC-SGP300-3211	RELEASE CONNECTING ROD AXLE	1	32301	PWC-SGP300-3231	TELESCOPE HANDLE	1
3212	PWC-SGP300-3212	REVERSING LEVER	1	32401	PWC-SGP30-32401	SNAP RING	2
3213	PWC-SGP300-3213	CONNECTING ROD	2	32402	PWC-SGP300-3215	RELEASE HANDLE PIN	1
3214	PWC-SGP300-3214	CONNECTING AXLE	1	32403	PWC-SGP300-3210	RELEASE HANDLE	1
3215	PWC-SGP300-3215	RELEASE HANDLE PIN	1	32501	PWC-SGP300-3212	REVERSING LEVER	1
3216	PWC-SGP300-3216	SHAKE ROD	1	32502	PWC-SGP300-3214	CONNECTING AXLE	1
3217	PWC-SGP300-3217	CONNECTING ROD	1	32503	PWC-SGP300-3213	CONNECTING ROD (LEFT SIDE)	1
3218	PWC-SGP150-18	SHEAR PIN	1	32504	PWC-SGP300-3213	CONNECTING ROD (RIGHT SIDE)	1
3219	PWC-SGP300-3219	OPERATING LEVER	1	32505	PWC-SGP30-32505	SNAP RING	2
3220	PWC-SGP300-3220	CONNECTING ROD AXLE	1	32506	PWC-SGP300-3211	RELEASE CONNECTING ROD AXLE	1
3221	PWC-SGP300-3221	OPERATING HANDLE AXLE	1	32601	PWC-SGP30-32601	LONG CLAMP PLATE	2
3222	PWC-SGP300-3222	SPRING	1	32602	PWC-SGP30-32602	CLAMP PLATE PIN	1
3223	PWC-SGP300-3223	CLAMP PLATE	2	32603	PWC-SGP30-32603	UPPER JAW	1
3224	PWC-SGP300-3224	CLAMP PLATE AXLE	2	32604	PWC-SGP30-32604	LOWER JAW	1
3225	PWC-SGP300-3225	SPRING HOUSNG	1	32605	PWC-SGP30-32605	CLAMP PLATE	2
3226	PWC-SGP300-3226	SUPPORT WHEEL	1	32606	PWC-SGP30-32606	JAW AXLE	4
3227	PWC-SGP300-3227	LOWER JAW	1	32607	PWC-SGP300-3205	CONNECTING ROD	1
3228	PWC-SGP300-328	LONG CLAMP PLATE	2	32608	PWC-SGP30-32608	SPRING	1
3229	PWC-SGP300-3229	UPPER JAW	1	32609	PWC-SGP300-3207	REAR JAW BLOCK	1
3230	PWC-SGP300-3230	JAW AXLE	4	32610	PWC-SGP30-32610	CLAMP PLATE AXLE	2
3231	PWC-SGP300-3231	TELESCOPE HANDLE	1	32611	PWC-SGP30-32611	SNAP RING	4
32101	PWC-SGP300-3209	HOUSING SCREW BOLT	6	32701	PWC-SGP300-328	LONG CLAMP PLATE	2
32102	PWC-SGP30-32102	NUT	1	32702	PWC-SGP30-32702	CLAMP PLATE PIN	1
32103	PWC-SGP300-3201	ANCHOR PIN	1	32703	PWC-SGP300-3229	UPPER JAW	1
32104	PWC-SGP30-32104	HOUSING (LEFT SIDE)	1	32704	PWC-SGP300-3227	LOWER JAW	1
32105	PWC-SGP30-32105	BUSH FOR SHAKE ROD NO LONGER USED		32705	PWC-SGP300-3223	CLAMP PLATE	2
32106	PWC-SGP30-32106	HOUSING (RIGHT SIDE)	1	32706	PWC-SGP300-3230	JAW AXLE	4
32107	PWC-SGP75-8107	WASHER	1	32707	PWC-SGP300-3226	SUPPORT WHEEL	1
32108	PWC-SGP75-8108	SCREW BOLT	1	32708	PWC-SGP300-3222	SPRING	1
32109	PWC-SGP30-32109	COVER	1	32709	PWC-SGP300-3206	FRONT JAW BLOCK	1
32110	PWC-SGP150-18	SPARE SHEAR PIN	2	32710	PWC-SGP300-3224	CLAMP PLATE AXLE	2
32111	PWC-SGP300-3208	ROPE GUIDE	1	32711	PWC-SGP30-32711	SNAP RING	4
32112	PWC-SGP30-32112	UPPER DUST PROOF	1	32103A	PWC-SGP3032103A	SWIVEL HOOK (FOR A TYPE)	1
32113	PWC-SGP30-32113	LOWER DUST PROOF	1	32103B	PWC-SGP300A-SAF	SAFTEY LATCH W HARDWARE	1
32114	PWC-SGP30-32114	NAMEPLATE	1	32107A	PWC-SGP3032107A	SNAP RING (FOR A TYPE)	2
32115	PWC-SGP15-16115	RIVET	8		PWC-SGP300-3234	SWIVEL HOOK	1