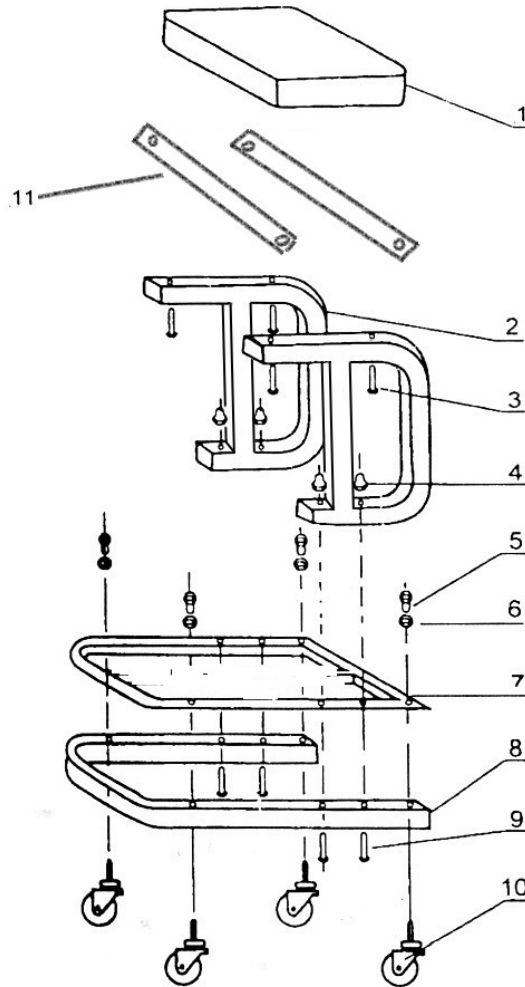


# MECHANIC'S ROLLER SEAT

PROD. NO. 355154  
MOD. NO. JMS-641A



REF	DESCRIPTION	QTY
1	SEAT	1
2	STEEL FRAME	2
3	SCREW FOR SEAT	4
4	NUT FOR SADDLE	4
5	NUT FOR WHEEL	4
6	WASHER	4
7	PLASTIC SADDLE	1
8	STEEL UNIT	1
9	SCREW FOR SADDLE	4
10	REAR CASTER WHEEL	4
11	SUPPORT BAR	2