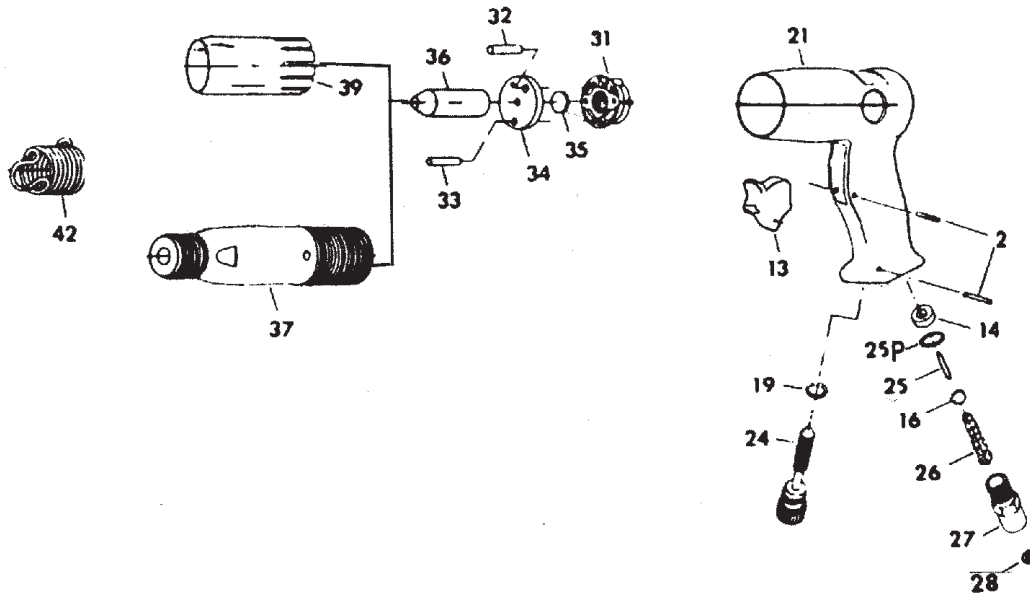


**AH150M MED BARREL AIR HAMMER PRODUCT # 404123**



REF	PART NUMBER	DESCRIPTION	REQ
2	PUT-0030180	AH150M PIN	2
13A	PUT-104013A	AH150M TRIGGER PLASTIC (OPTION)	1
13B	PUT-104013B	AH150M TRIGGER (DIE CASTING) (STANDARD)	1
14	PUT-104014	AH150M BALL SEAT	1
16	PUT-104016	AH150M PLUG	1
19	PUT-104019	AH150M O-RING	1
21	PUT-104021	AH150M HANDLE BODY	1
24	PUT-104024	AH150M REGULATOR	1
25	PUT-104025	AH150M PUSH ROD W/O-RING	1
25P	PUT-104025	AH150M 2 O-RINGS WITH PUT-104025	
26	PUT-104026	AH150M SPRING	1
27	PUT-104027	AH150M INTAKE BUSHING	1
28	PUT-104028	AH150M SCREEN	1
30	PUT-104030	AH150M VALVE CASE ASSY	1
31	PUT-104030	AH150M	1
32	PUT-104030	AH150M	1
33	PUT-104030	AH150M	1
34	PUT-104030	AH150M	1
35	PUT-104030	AH150M	1
36	PUT-104036	AH150M PISTON	1
37	PUT-104037	AH150M CYLINDER MEDIUM ROUND 2-5/8"	1
39	PUT-104039	AH150M EXHAUST SHIELD	1
42	PUT-104042	AH150M SPRING RETAINER	1