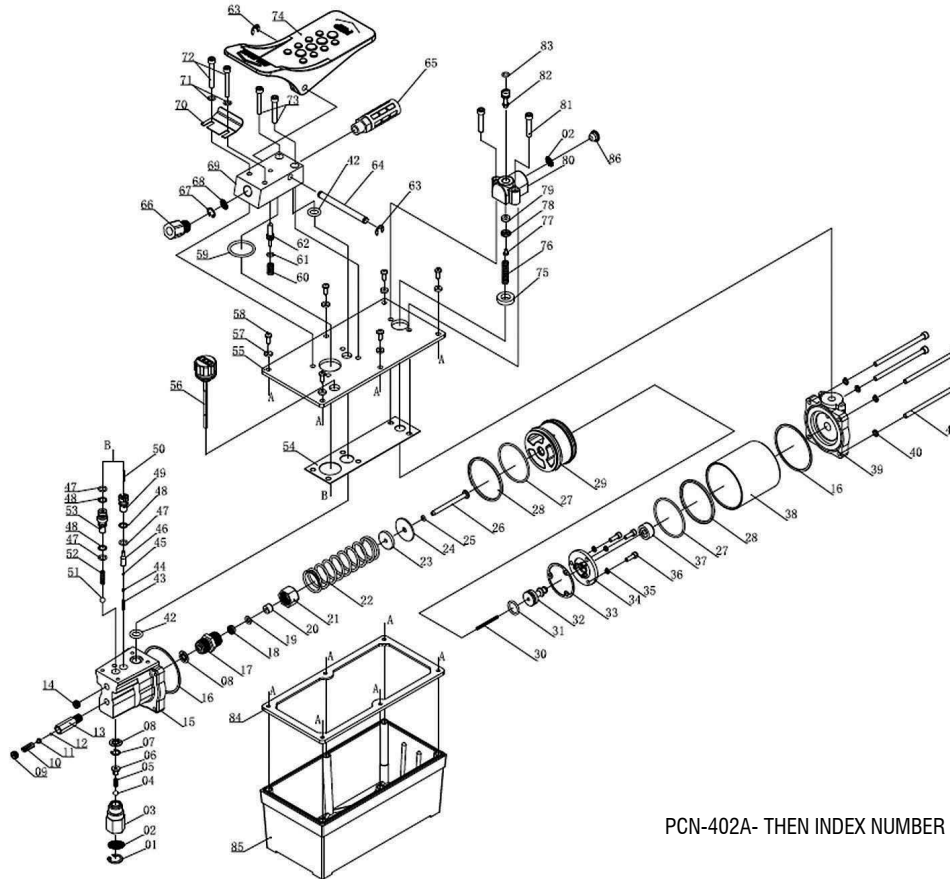


## 10,000 PSI 54 oz Air/Hydraulic Foot Pump Heavy Duty

PROD NO. 030215  
MOD NO. 402A



PCN-402A- THEN INDEX NUMBER

NO.	DESCRIPTION	QTY.	NO.	DESCRIPTION	QTY.	NO.	DESCRIPTION	QTY.	NO.	DESCRIPTION	QTY.
1	C-Ring	1	23	Shock Block	1	45	Steel Ball	1	67	O-Ring	1
2	Filter	2	24	Spring Cap	1	46	Valve Core	1	68	Filter	1
3	Oil Inlet Valve	1	25	O-Ring	1	47	O-Ring	3	69	Valve	1
4	Steel Ball	1	26	Air Pump Core	1	48	Washer	3	70	Spring	1
5	Oil Inlet Spring	1	27	O-Ring	2	49	Base For Release Valve	1	71	Washer	2
6	Steel Ball Seat	1	28	Washer	2	50	Valve Pin	1	72	Screw	2
7	O-Ring	1	29	Big Piston	1	51	Steel Ball	1	73	Screw	2
8	Copper Ring	2	30	Spring	1	52	Spring	1	74	Foot Pedal	1
9	Adjust Screw	1	31	O-Ring	1	53	Valve	1	75	Rubber Pad	1
10	Spring	1	32	Small Piston	1	54	Seal Washer	1	76	Spring	1
11	Base For Steel Ball	1	33	Rubber Pad	1	55	Cover	1	77	Screw	1
12	Steel Ball	1	34	Piston Cap	1	56	Ruler	1	78	Base For Seal Ring	1
13	Base For Valve	1	35	Lock Washer	3	57	Rubber Pad	6	79	Seal Ring	1
14	Screw	1	36	Screw	3	58	Screw	6	80	Base For Valve	1
15	Pump	1	37	Small Piston Circle	1	59	O-Ring	1	81	Air Valve Core	1
16	Nylon Washer	2	38	Air Cylinder	1	60	Spring	1	82	O-Ring	1
17	Base For Pump Core	1	39	Air Cylinder Cap	1	61	O-Ring	1	83	Screw	2
18	O-Ring	1	40	Lock Washer	4	62	Valve Core	1	84	Oil Tank Pad	1
19	Nylon Ring	1	41	Screw	4	63	Cotter Shaft	2	85	Oil Tank	1
20	Copper Bushing	1	42	O-Ring	2	64	Safety Pin	1	86	Dust Cap	1
21	Nut	1	43	Spring	1	65	Silencer	1			
22	Spring	1	44	Base For Steel Ball	1	66	Adaptor	1			