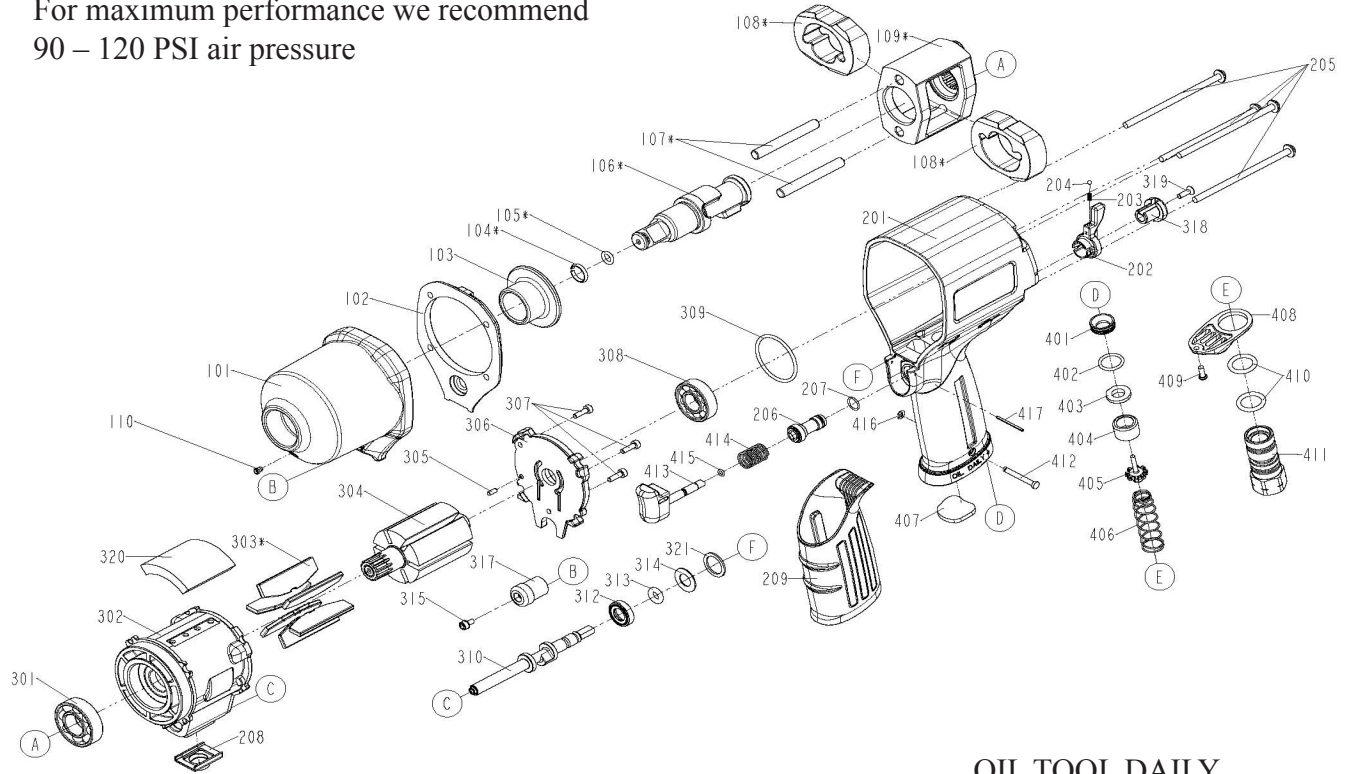


# AW375CSDP 3/8"DR IMPACT WRENCH PRODUCT # 400140

For maximum performance we recommend  
90 – 120 PSI air pressure



## OIL TOOL DAILY

REF	PARTS NO	PARTS NAME	REQ	REF	PARTS NO	PARTS NAME	REQ	REF	PARTS NO	PARTS NAME	REQ
101	PBIAW375CSDP-101	HAMMER CASE	1	209	PBIAW375CSDP-209	HANDLE GRIP	1	320	PBIAW375CSDP-320	MUFFLER	1
102	PBIAW375CSDP-102	PACKING-HAMMER CASE	1	301	PBIAW375CSDP-301	BEARING	1	321	PBIAW375CSDP-321	SEAL	1
103	PBIAW375CSD-103	HAMMER CASE BUSHING	1	302	PBIAW375CSDP-302	CYLINDER UNIT	1	401	PBIAW375CSD-401	INSERT BUSHING	1
104	PBIAW375MHD108	SOCKET RETAINER	1	303	PBIAW375CSDP-303	BLADES	6	402	PBIAW375CSD-402	O - RING	1
105	PBIAW375MHD109	O - RING	1	304	PBIAW375CSDP-304	ROTOR	1	403	PBIAW375CSDP-403	SEAL	1
106	PBIAW375CSD-106	ANVIL	1	305	PBIAW375CSDP-305	PIN	1	404	PBIAW375CSDP-404	BUSHING	1
107	PBIAW375CSD-107	HAMMER FRAME PIN	2	306	PBIAW375CSDP-306	REAR BEARING PLATE	1	405	PBIAW500MSD403	TIP VALVE	1
108	PBIAW375CSD-108	HAMMER	2	307	PBIAW375CSDP-307	HEX.SOC.HD.BOLT	3	406	PBIAW375CSDP-406	SPRING	1
109	PBIAW375CSD-109	HAMMER FRAME	1	308	PBIAW375CSD-306	BEARING	1	407	PBIAW500CSD407	MUFFLER	1
110	PBIAW375CSD-110	HAMMER CASE GREASE FTG	1	309	PBIAW375CSDP-309	O - RING	1	408	PBIAW500CSD408	EXHAUST DEFLECTOR	1
201	PBIAW375CSDP-201	HOUSING	1	310	PBIAW375CSDP-310	REVERSE VALVE	1	409	PBIAW500CSD409	TAP BOLT	1
202	PBIAW375CSDP-202	REGULATOR	1	312	PBIAW375CSDP-312	LATCH SPRING BUSHING	1	410	PBIAW500CSD410	O - RING	2
203	PBIAW375CSDP-203	POSITIONING SPRING	1	313	PBIAW375CSDP-313	O - RING	1	411	PBIAW375CSDP-411	AIR INLET	1
204	PBIAW500CSD311	BALL	1	314	PBIAW375CSDP-314	FLAT WASHER	1	412	PBIAW375CSDP-412	LATCH PIN	1
205	PBIAW375CSDP-205	HALF ROUND HD.HEX. BOLT	4	315	PBIAW375CSDP-315	HEX.SOC.HD.BOLT	1	413	PBIAW375CSDP-413	TRIGGER UNIT	1
206	PBIAW375CSDP-206	TRIGGER BUSHING B	1	316	PBIAW375CSDP-316	FLAT WASHER	1	414	PBIAW375CSDP-414	SPRING	1
207	PBIAW500CSD414	O - RING	1	317	PBIAW375CSDP-317	SPRING A	1	415	PBIAW375CSDP-415	O - RING	1
208	PBIAW375CSDP-208	SEAL	1	318	PBIAW375CSDP-318	SPRING B	1	416	PBIAW375CSDP-416	E - RING	1
				319	PBIAW375CSDP-319	HEX.SOC.HD.SCREW	1	417	PBIAW375CSDP-417	SPRING PIN	1