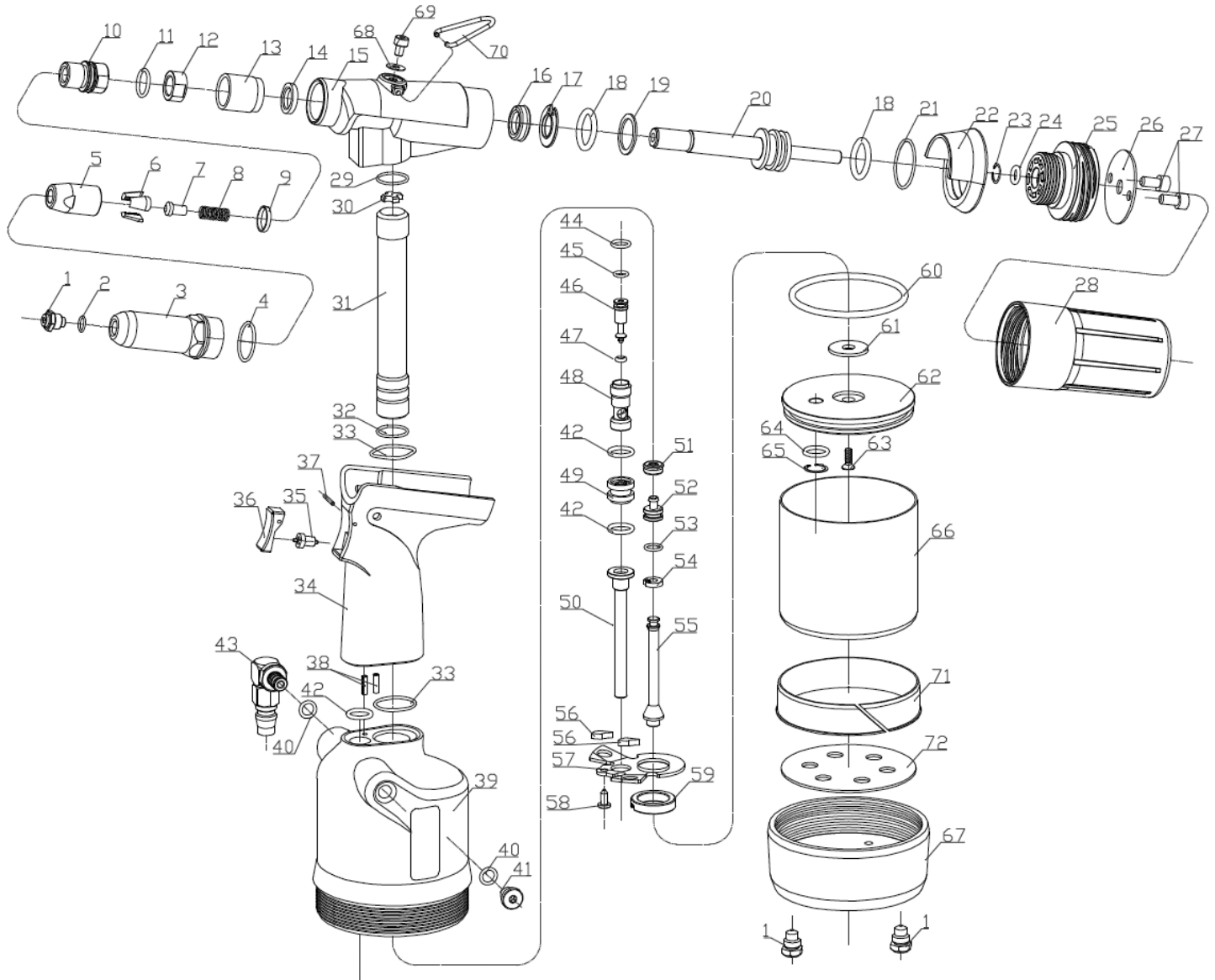


AR14HDA Air Riveter – Heavy Duty # 409009



AR14HDA Air Riveter – Heavy Duty # 409009

NO.	PART NUMBER	DESCRIPTION	REQ	NO.	PART NUMBER	DESCRIPTION	REQ
01	PNH-AR314HDA-01	NOSEPIECE6.4	1	38	PNH-AR314HDA-38	SPRING PIN	2
02	PNH-AR314HDA-02	O RING	1	39	PNH-AR314HDA-39	PLASTIC SYLINDER	1
03	PNH-AR314HDA-03	OUTER CYLINDER	1	40	PNH-AR314HDA-40	O RING	2
04	PNH-AR314HDA-04	O-RING	1	41	PNH-AR314HDA-41	ADJUSTING SCREW	1
05	PNH-AR314HDA-05	JAW CASE	1	42	PNH-AR314HDA-42	O RING	3
06	PNH-AR314HDA-06	JAWS	1	43	PNH-AR314HDA-43	ON/OFF ASSEMBLY	1
07	PNH-AR314HDA-07	PUSHER	1	44	PNH-AR314HDA-44	O RING	3
08	PNH-AR314HDA-08	SPRING	1	45	PNH-AR314HDA-45	O RING	1
09	PNH-AR314HDA-09	LOCK NUT	1	46	PNH-AR314HDA-46	VALVE CORE	1
10	PNH-AR314HDA-10	UPPER CYLINDER	1	47	PNH-AR314HDA-47	O RING	1
11	PNH-AR314HDA-11	PTFE RING	1	48	PNH-AR314HDA-48	SPOOL	1
12	PNH-AR314HDA-12	SET NUT	1	49	PNH-AR314HDA-49	VALVE SEAT	1
13	PNH-AR314HDA-13	SEALING COVER	1	50	PNH-AR314HDA-50	TRANSFER TUBE	1
14	PNH-AR314HDA-14	SEALING GASKET	1	51	PNH-AR314HDA-51	U RING	1
15	PNH-AR314HDA-15	OIL CYLINDER	1	52	PNH-AR314HDA-52	OIL PISTON	1
16	PNH-AR314HDA-16	U-RING	1	53	PNH-AR314HDA-53	O RING	1
17	PNH-AR314HDA-17	RETAINING RING	1	54	PNH-AR314HDA-54	OIL PISTON RING	1
18	PNH-AR314HDA-18	O RING	2	55	PNH-AR314HDA-55	PISTON	1
19	PNH-AR314HDA-19	WASHER	1	56	PNH-AR314HDA-56	SPONGE	2
20	PNH-AR314HDA-20	PRIME AXIS	1	57	PNH-AR314HDA-57	CLAMPING BOARD	1
21	PNH-AR314HDA-21	O RING	1	58	PNH-AR314HDA-58	TAPPING SCREW	1
22	PNH-AR314HDA-22	LINK CONNECTOR	1	59	PNH-AR314HDA-59	LOCK NUT	1
23	PNH-AR314HDA-23	CIRCLIP	1	60	PNH-AR314HDA-60	O RING	1
24	PNH-AR314HDA-24	O RING	1	61	PNH-AR314HDA-61	SUSTAINING PAD	1
25	PNH-AR314HDA-25	ADAPTOR	1	62	PNH-AR314HDA-62	PISTON	1
26	PNH-AR314HDA-26	STEEL WASHER	1	63	PNH-AR314HDA-63	FLAT CUP SCREW	1
27	PNH-AR314HDA-27	SCREW	1	64	PNH-AR314HDA-64	O RING	1
28	PNH-AR314HDA-28	BOTTLE	1	65	PNH-AR314HDA-65	CIRLIP	1
29	PNH-AR314HDA-29	O RING	1	66	PNH-AR314HDA-66	ALUMIUM CYLINDER	1
30	PNH-AR314HDA-30	STAR WASHER	1	67	PNH-AR314HDA-67	COVER	1
31	PNH-AR314HDA-31	OIL TUBE	1	68	PNH-AR314HDA-68	BONDED SEAL	1
32	PNH-AR314HDA-32	O RING	1	69	PNH-AR314HDA-69	OIL SCREW	1
33	PNH-AR314HDA-33	O RING	2	70	PNH-AR314HDA-70	HOOK	1
34	PNH-AR314HDA-34	HANDLE	1	71	PNH-AR314HDA-71	GAP RING	1
35	PNH-AR314HDA-35	VALVE CORE	1	72	PNH-AR314HDA-72	CRASH PAD	1
36	PNH-AR314HDA-36	TRIGGER	1	1A	PNH-AR314HDA-1A	NOSEPIECE3.2 MM	1
37	PNH-AR314HDA-37	KNURL PIN	1	1B	PNH-AR314HDA-1B	NOSEPIECE4.0 MM	1
				1C	PNH-AR314HDA-1C	NOSEPIECE4.8 MM	1