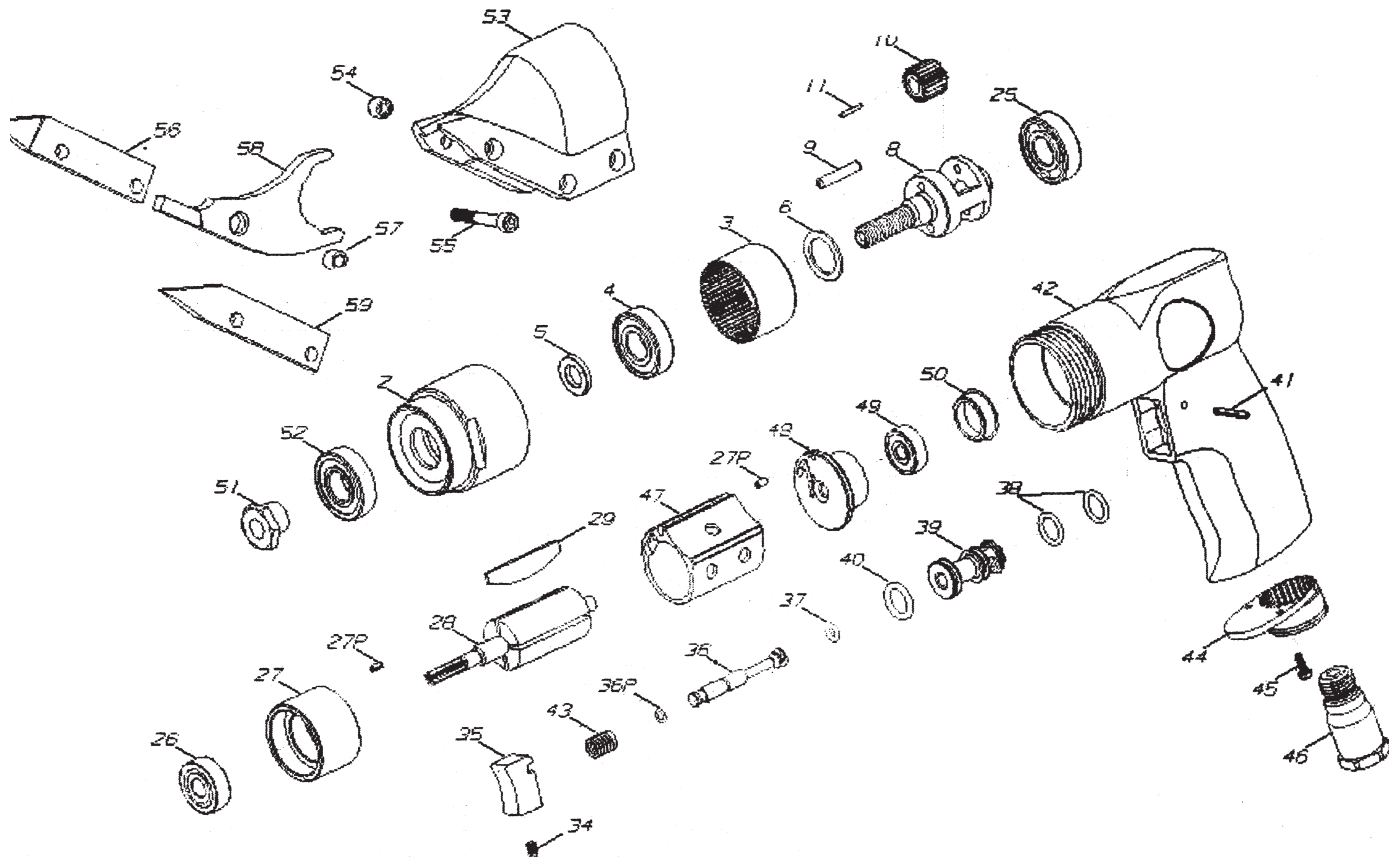


# PAS18 PISTOL GRIP AIR SHEAR PRODUCT # 404163



REF	PART NUMBER	Description	REQ	REF	PART NUMBER	Description	REQ
2	PUT-PAS18-2	Clamp Nut	1	39	PUT-PAS18-39	Valve Bushing	1
3	PUT-PAS18-3	Internal Gear	1	40	PUT-PAS18-40	O-Ring	1
4	PUT-PAS18-4	Ball Bearing	1	41	PUT-PAS18-41	Pin	1
5	PUT-PAS18-5	Washer	1	42	PUT-PAS18-42	Motor Housing	1
6	PUT-PAS18-6	Washer	1	43	PUT-PAS18-43	Spring	1
8	PUT-PAS18-8	Cage	1	44	PUT-PAS18-44	Deflector	1
9	PUT-PAS18-9	Gear Pin	2	45	PUT-PAS18-45	Screw	2
10	PUT-PAS18-10	Gear	2	46	PUT-PAS18-46	Inlet Bushing	1
11	PUT-PAS18-11	Needle	22	47	PUT-PAS18-47	Cylinder	1
25	PB6001-2Z	Ball Bearing	1	48	PUT-PAS18-48	Rear End Plate	1
26	PB608-2Z	Ball Bearing	1	49	PB626-2Z	Ball Bearing	1
27	PUT-PAS18-27	Front End Plate	1	50	PUT-PAS18-50	Cap	1
27P	PUT-PAS18-27P	Guide Pin	2	51	PUT-PAS18-51	Eccentric Nut	1
28	PUT-PAS18-28	Rotor	1	52	PUT-PAS18-52	Ball Bearing	1
29	PUT-PAS18-29	Rotor Blade	4	53	PUT-PAS18-53	Cutter Housing	1
34	PUT-PAS18-34	Screw	1	54	PUT-PAS18-54	Screw Nut	3
35	PUT-PAS18-35	Trigger	1	55	PUT-PAS18-55	Screw	3
36	PUT-PAS18-36	Valve	1	56	PUT-PAS18-56	Left Blade	1
36P	PUT-PAS18-36P	O-Ring	1	57	PUT-PAS18-57	Spacer Nut	1
37	PUT-PAS18-37	O-Ring	1	58	905471	Center Blade	1
38	PUT-PAS18-38	O-Ring	2	59	PUT-PAS18-59	Right Blade	1