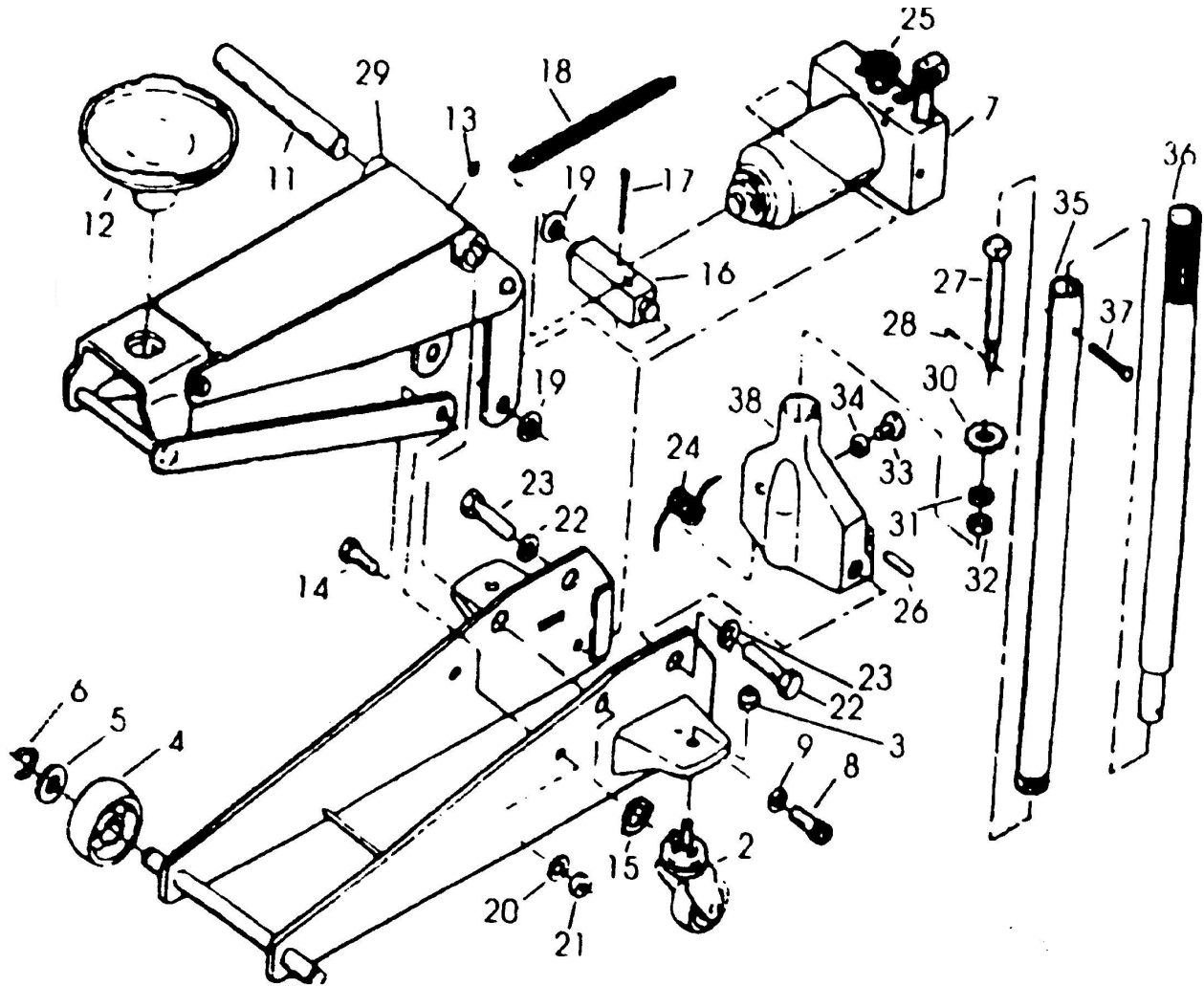




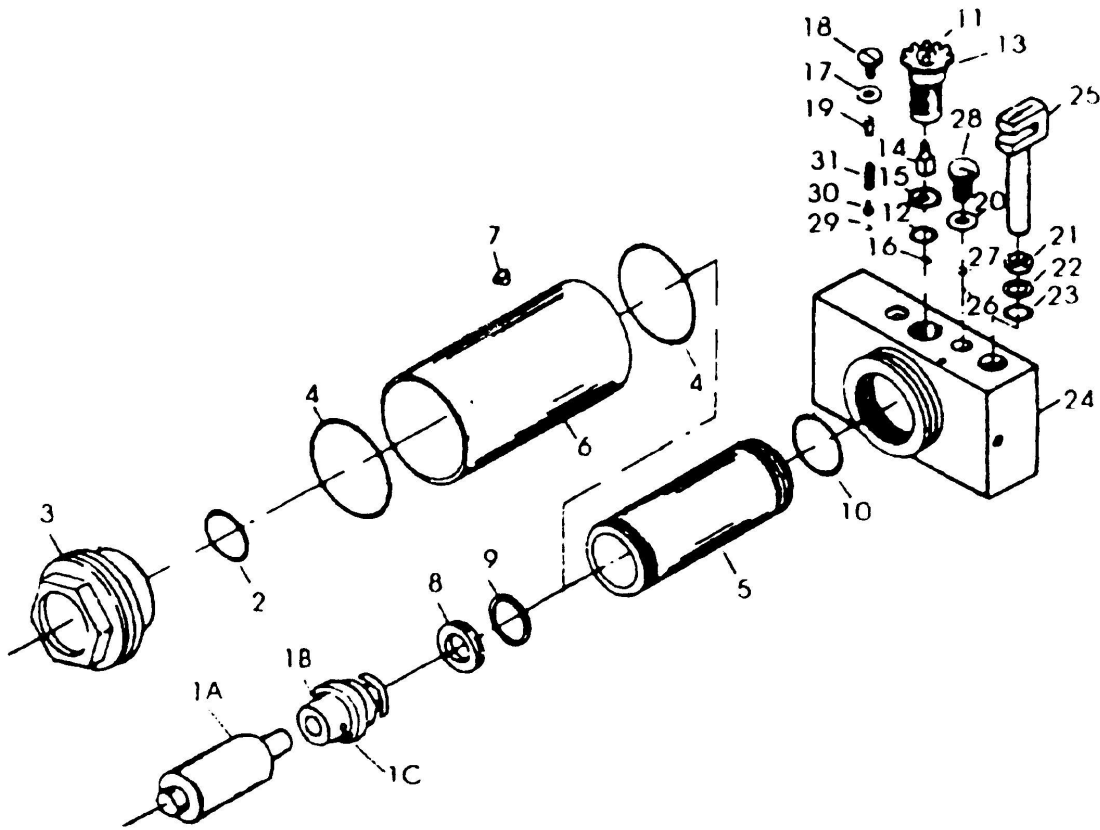
ITC 3 TON SERVICE JACK PRODUCT # 024827



REF	PART NUMBER	DESCRIPTION	REQ	REF	PART NUMBER	DESCRIPTION	REQ
1	PWL-024827-01	NOT AVAILABLE	2	20	PWL-024827-20	ITC 3T S/J WASHER	2
2	PWL-024827-02	ITC 3T S/J REAR CASTER ASSY	2	21	PWL-024827-21	ITC 3T S/J HEX NUT	2
3	PWL-024827-03	ITC 3T S/J LOCK NUT	2	22	PWL-024827-22	ITC 3T S/J WASHER	2
4	PWL-024827-04	ITC 3T S/J FRONT WHEEL WITH #5,6	2	23	PWL-024827-23	ITC 3T S/J BOLT	2
5	PWL-024827-05	ITC 3T S/J WASHER	2	24	PWL-024827-24	ITC 3T S/J TORSION SPRING	1
6	PWL-024827-06	ITC 3T S/J RETAINING RING	2	25	PWL-024827-25	ITC 3T S/J REL/ VALVE ASSY	1
7	PWL-024827-07	ITC 3T S/J POWER UNIT ASSY	1	26	PWL-024827-26	ITC 3T S/J PLUNGER PIN	1
8	PWL-024827-08	ITC 3T S/J SCREW	2	27	PWL-024827-27	ITC 3T S/J GEAR SHAFT	1
9	PWL-024827-09	ITC 3T S/J LOCK WASHER	2	28	PWL-024827-28	ITC 3T S/J PIN	1
11	PWL-024827-11	ITC 3T S/J SHAFT ARM	1	29	PWL-024827-29	NOT AVAILABLE	1
12	PWL-024827-12	ITC 3T S/J SADDLE	1	30	PWL-024827-30	ITC 3T S/J REL/VALVE GEAR	1
13	PWL-024827-13	ITC 3T S/J GREASE FITTING	1	31	PWL-024827-31	ITC 3T S/J WASHER	1
14	PWL-024827-14	ITC 3T S/J BOLT LINK	2	32	PWL-024827-32	ITC 3T S/J HEX NUT	1
15	PWL-024827-15	ITC 3T S/J RETAINING RING	1	33	PWL-024827-33	ITC 3T S/J HANDLE BOLT	1
16	PWL-024827-16	ITC 3T S/J RAM	1	34	PWL-024827-34	ITC 3T S/J SPACER	1
17	PWL-024827-17	ITC 3T S/J PIN	1	35	PWL-024827-35	ITC 3T S/J HANDLE LOWER	1
18	PWL-024827-18	ITC 3T S/J RETURN SPRING	1	36	PWL-024827-36	ITC 3T S/J HANDLE UPPER	1
19	PWL-024827-19	ITC 3T S/J ETAINING RING	2	37	PWL-024827-37	ITC 3T S/J SCREW	1
				38	PWL-024827-38	ITC 3T S/J HANDLE SOCKET	1



ITC 3 TON SERVICE JACK PRODUCT # 024827



REF	PART NUMBER	DESCRIPTION	REQ	REF	PART NUMBER	DESCRIPTION	REQ
1A	PWL-024827-1A	HYD/UNIT RAM ROD	1	16	PWL-024827-16H	HYD/UNIT BALL	1
1B	PWL-024827-1B	HYD/UNIT RAM HEAD	1	17	PWL-024827-17H	HD/UNIT SEAL WASHER	1
1C	PWL-024827-1C	HYD/UNIT RAM HEAD PIN	1	18	PWL-024827-18H	HYD/UNIT PLUG SCREW	1
2	PWL-024827-02H	HYD/UNIT O-RING	1	19	PWL-024827-19H	HYD/UNIT O/L VALVE SCR	1
3	PWL-024827-03H	HYD/UNIT TANK NUT	1	20	PWL-024827-20H	HYD/UNIT WASHER	1
4	PWL-024827-04H	HYD/UNIT O-RING	2	21	PWL-024827-RK	HYD/UNIT WIPER	1
5	PWL-024827-07	HYD/UNIT CYL	1	22	PWL-024827-RK	HYD/UNIT B/UP/RNG	1
6	PWL-024827-07	HYD/UNIT RES	1	23	PWL-024827-RK	HYD/UNIT O-RING	1
7	PWL-024827-07H	HYD/UNIT OIL FILLER PLUG	1	24	PWL-024847-25	HYD/UNIT:V/BLOCK	1
8	PWL-024827-08H	HYD/UNIT O-RING RETAINER	1	25	PWL-024827-25H	HYD/UNIT PLUNGER	1
9	PWL-024827-09H	HYD/UNIT O-RING	1	26	PWL-024827-26H	HYD/UNIT BALL	1
10	PWL-024827-10H	HYD/UNIT O-RING	1	27	PWL-024827-27H	HYD/UNIT BALL	1
11	PWL-024827-11H	HYD/UNIT GEAR RET/NUT	1	28	PWL-024827-28H	HYD/UNIT PLUG SCREW	1
12	PWL-024827-12H	HYD/UNIT O-RING	1	29	PWL-024827-29H	HYD/UNIT BALL	1
13	PWL-024827-25	HYD/UNIT REL/VLV	1	30	PWL-024827-30H	HYD/UNIT PLUNGER	1
14	PWL-024827-25	HYD/UNIT ACT	1	31	PWL-024827-31H	HYD/UNIT SPRING	1
15	PWL-024827-15H	HYD/UNIT GUIDE PLATE	1				
**	PWL-024827-RK	HYD/UNIT REPAIR KIT	1				