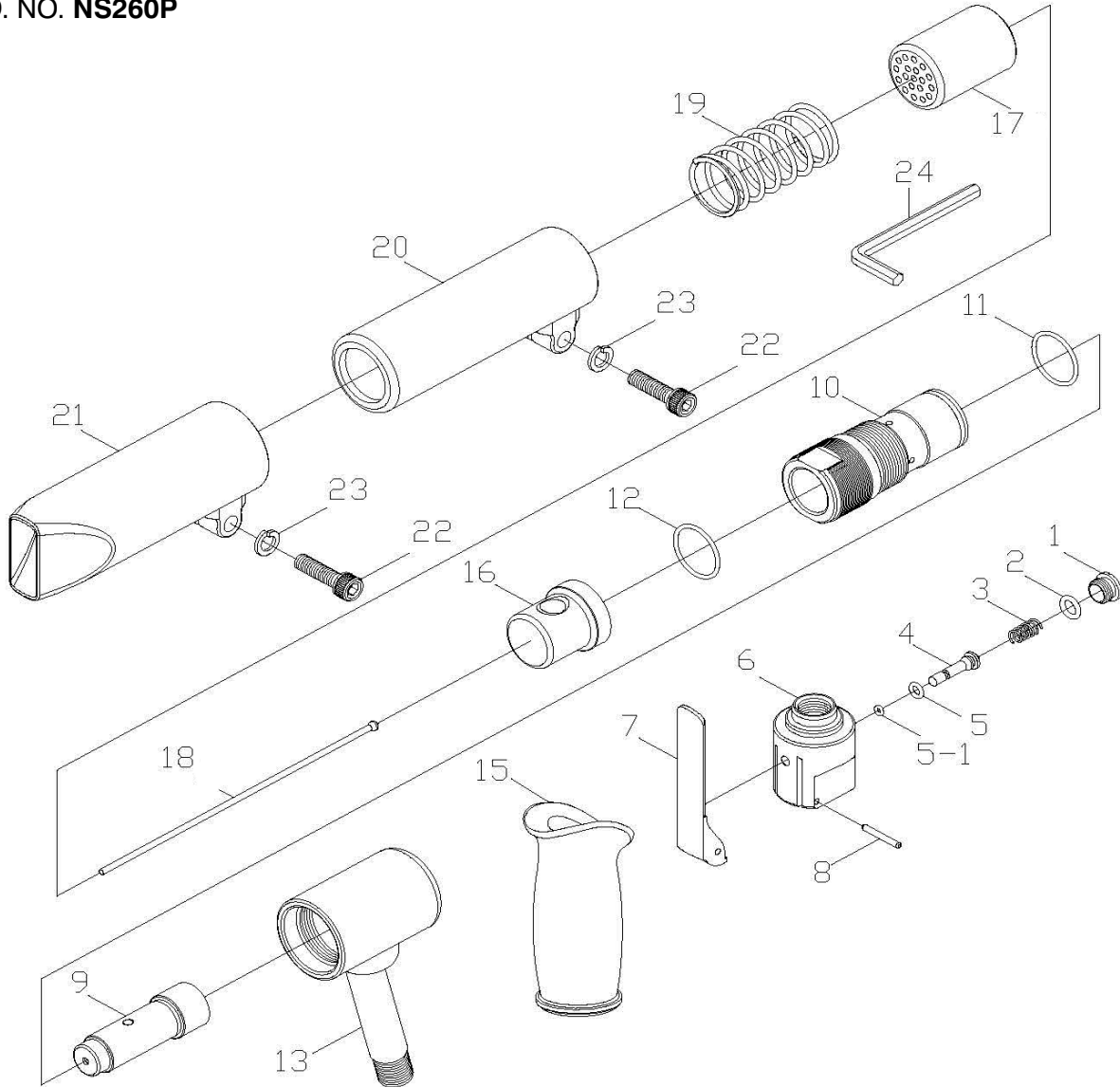


# NEEDLE SCALER PISTOL TYPE

PROD. NO. 404228

MOD. NO. NS260P



| REF | PART NUMBER    | DESCRIPTION       | REQ | REF | PART NUMBER   | DESCRIPTION           | REQ |
|-----|----------------|-------------------|-----|-----|---------------|-----------------------|-----|
| 1   | PUT-NS260P-1   | VALVE CAP         | 1   | 12  | PUT-NS260P-12 | O RING                | 1   |
| 2   | PUT-NS260P-2   | O RING VALVE CAP  | 1   | 13  | PUT-NS260P-13 | PISTON HANDLE HOUSING | 1   |
| 3   | PUT-NS260P-3   | VALVE SPRING      | 1   | 15  | PUT-NS260P-15 | RUBBER HANDLE GRIP    | 1   |
| 4   | PUT-NS260P-4   | VALVE STEM        | 1   | 16  | PUT-NS260P-16 | ANVIL                 | 1   |
| 5   | PUT-NS260P-5   | O RING VALVE SEAT | 1   | 17  | PUT-NS260P-17 | NEEDLE HOLDER         | 1   |
| 5-1 | PUT-NS260P-5-1 | O RING            | 1   | 18  | 905743        | NEEDLES               | 19  |
| 6   | PUT-NS260P-6   | VALVE BODY        | 1   | 19  | PUT-NS260P-19 | SPRING                | 1   |
| 7   | PUT-NS260P-7   | THROTTLE LEVER    | 1   | 20  | PUT-NS260P-20 | INTERMEDIATE TUBE     | 1   |
| 8   | PUT-NS260P-8   | ROLL PIN          | 1   | 21  | PUT-NS260P-21 | FRONT TUBE            | 1   |
| 9   | PUT-NS260P-9   | PISTON            | 1   | 22  | PUT-NS260P-22 | CAP HEAD SCREW        | 2   |
| 10  | PUT-NS260P-10  | CYLINDER          | 1   | 23  | PUT-NS260P-23 | WASHER                | 2   |
| 11  | PUT-NS260P-11  | O RING            | 1   |     |               |                       |     |