

Owner's MANUAL

VBC SERIES BEAM CLAMP

Prod. No. 120613 • Mod. No. VBC-1

Prod. No. 120615 • Mod. No. VBC-2

Prod. No. 120616 • Mod. No. VBC-3

Prod. No. 120617 • Mod. No. VBC-5

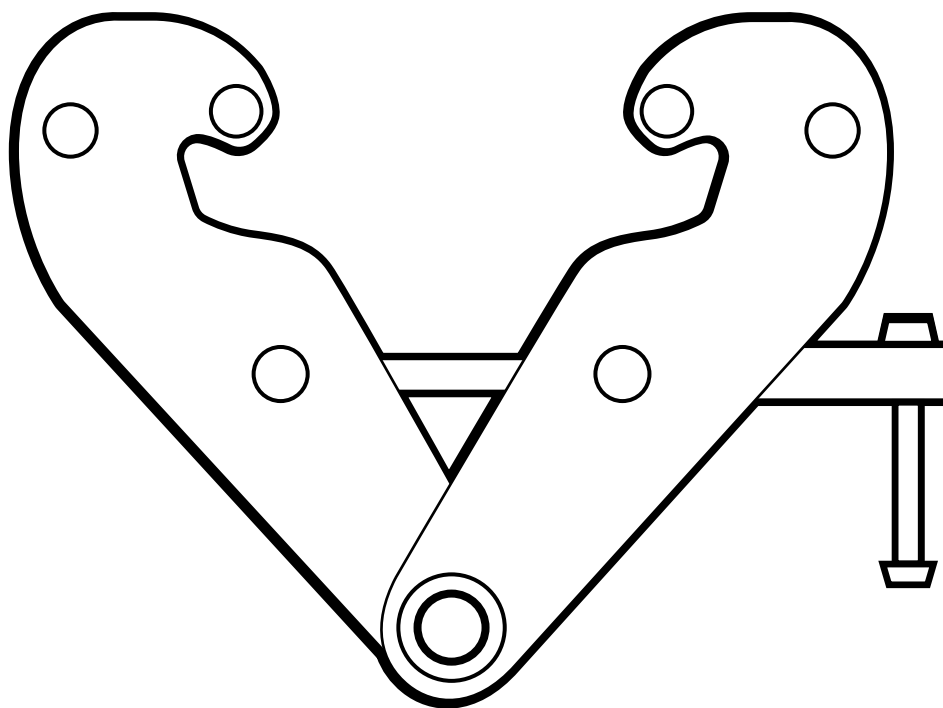


TABLE OF CONTENTS

- Warranty Policy
- Information for your Safety
- Operation and Installation
- Inspection and Maintenance
- Safety Precautions

ONE YEAR LIMITED WARRANTY

JET Beam Clamps are guaranteed to be free of defects in material and workmanship. If one of these products fails during the first year of operation due to defective materials or workmanship it will be repaired or replaced at our discretion. Normal wear and tear on moving parts is excluded from this guarantee. This guarantee does not apply to any product showing signs of misuse, overloading, alteration or improper maintenance.

WARRANTY PROCEDURE

After receiving authorization from JET, any product for which there is a warranty claim must be returned prepaid to an authorized JET warranty depot, along with proof of purchase.

For information on JET material handling products, warranty depots or distributors can be found on our website at surewerx.com

INFORMATION FOR YOUR SAFETY

It is the responsibility of the owner/user to install, inspect, test, maintain, and operate these beam clamps in accordance with ASME B30.16, Safety Standard for Overhead Hoists.

These general instructions deal with the normal installation, operation and maintenance situations encountered with the hand chain hoists described herein. The Warnings, Cautions, and Instructions discussed in this manual cannot cover all possible conditions and situations that may occur. It must be understood by the operator that common sense and caution are factors which cannot be built into this product, but must be supplied by the operator. Persons involved with installing these clamps and/or maintaining the clamps should be well versed in this manual. Adhere to all instructions within this manual to help prevent damage and / or personal injury.

This beam clamp should not be installed, operated, or maintained by any person who has not read all the contents of these instructions and ASME B30.16, Safety Standards for Overhead hoists. Failure to read and comply with these instructions or any kind of the warnings or limitations noted herein can result in serious bodily injury or death, and/or property damage.

Only trained and qualified personnel shall operate and maintain this equipment.

Equipment described herein is not designed for and should not be used for lifting, supporting or transporting people.

Modifications to upgrade, rerate, or otherwise alter these beam clamps shall be authorized only by the original equipment manufacturer or qualified professional engineer.

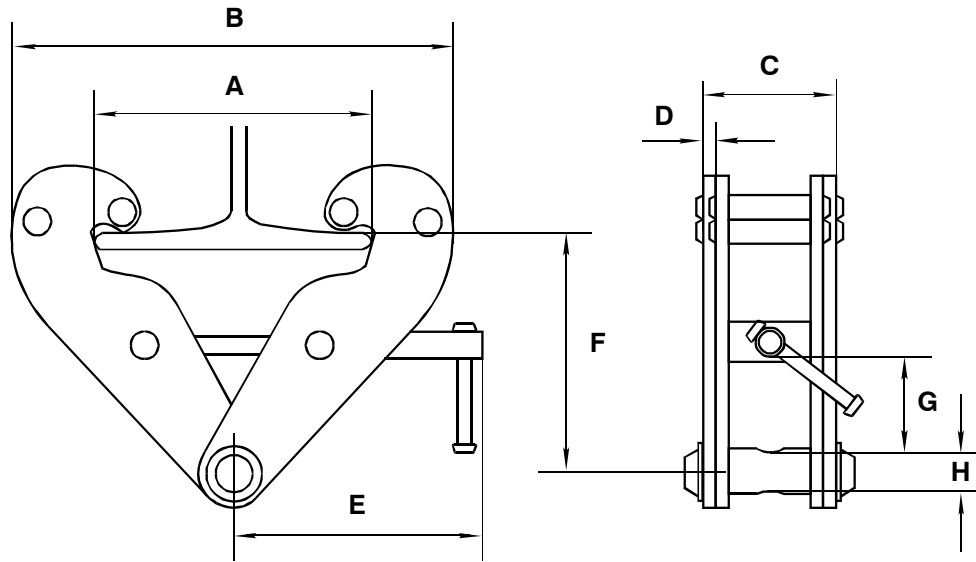
Meets ASME B30.16 specifications

Tested to 125% of the rated capacity (certificate included)

WARNING - IMPORTANT INFORMATION 

- Do not exceed the lift capacity of these clamps
- The clamp within this manual is for industrial use only
- This clamp is NOT for personnel lifting

Prod No.	Model No.	Max A	Min B	Max B	C	D	E	Min F	Max F	G	H
120613	VBC-1	10.24"	7.09"	14.17"	2.52"	.20"	8.46"	4.01"	6.10"	.98"	.87"
120615	VBC-2	10.24"	7.09"	14.17"	2.91"	.24"	8.46"	4.01"	6.10"	.98"	.87"
120616	VBC-3	13.94"	9.25"	19.29"	4.06"	.32"	10.24"	5.51"	8.86"	1.77"	.95"
120617	VBC-5	13.94"	9.25"	19.29"	4.33"	.39"	10.24"	5.51"	8.86"	1.77"	1.10"



OPERATION AND INSTALLATION

- Always check clamp for deformed parts before putting unit into use.
- Always be well aware of the clamp's load rating before using.
- Select an appropriate I-Beam, in good condition, which is capable of supporting the additional load.
- Open the jaws of the clamp by rotating the handle assembly counter-clockwise. Open them enough to slip the clamp over the flanges of the I-beam.
- Slip the open ends of the jaws over the flanges of the I-beam, and tighten the clamp by rotating the handle clockwise. Assure that all four jaws of the clamp are properly aligned on the flange, and are tightened securely to the beam.
- Attach the lifting device to the equalizer pin of the clamp.
- Take up the slack of the lifting chain, if applicable, and visually inspect to ensure that the clamps are installed correctly; and the lift cables or chains are not twisted, kinked, or frayed.
- Stand clear while the load is lifted slightly. Visually inspect that the clamps are attached properly, the load is balanced, and is safe to make the additional lift.
- When the load is moved and lowered to its proper location, provide slack in the lift cable and detach the clamps by rotating the handle assembly counter clockwise until the jaws are open enough to remove the clamp.
- Clamps are meant to provide a semi-permanent suspension point.
- Avoid side pulling.

INSPECTION AND MAINTENANCE

- The robust and simple design of these clamps will provide a long service life with minimal maintenance or repair required.
- Avoid damage to the screw – keep dirt and grit away from the threading while in use.
- Periodically open the clamp jaws all the way, and clean any contaminants from the screw threads. Apply a light coating of grease to prevent rust and provide lubrication.
- Protect the speed handle function from damage by keeping the lock nut fixed on the handle adaptor in either straight or 90 degree position.

SAFETY PRECAUTIONS

- A. **Read** these instructions and ASME B30.16, Safety Standard for Overhead Hoists before installing, operating, or maintaining this equipment.
- B. **Do NOT**
 1. Lift more than the rated load.
 2. Lift people or lift loads over people.
 3. Operate with side pulling or side loading of the load to hoist.
 4. Remove, deface, or obscure warning label or labels on the beam clamp.
 5. Leave load suspended when hoist is unattended unless specific precautions have been instituted and are in place.
 6. Use beam clamp as a ground for welding.