

# Tear-Down Table with Fluid Reservoir – 1100 lb Capacity

Prod. No. **843013**  
Mod. No. **JTD-1148**

## SPECIFICATIONS

**Weight Capacity:** 1100 lbs  
(775 lbs top, 225 lbs shelf, 100 lbs drawer)

**Table Size (L x W x H):** 48" x 31.25" x 42.5"

**Caster Wheel:** 4" diameter

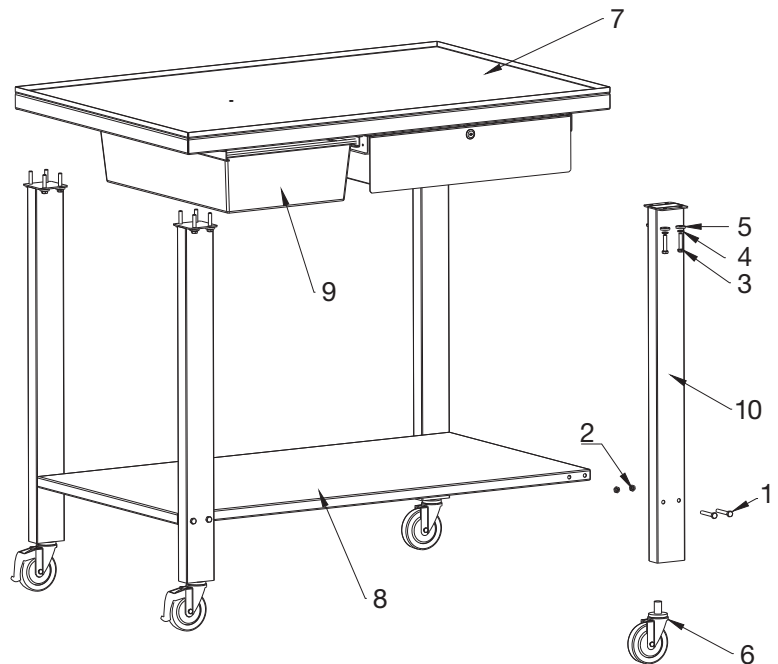
## ASSEMBLY & INSTALLATION

1. Place table top (#7) upside down on a smooth surface.
2. Attach the four legs (#10) to table top by bolts (#3), flat washers (#4), and spring washers (#5), then finger tighten.
3. Attach the shelf (#8) to the legs by bolts (#1) and nuts (#2), then finger tighten.
4. Mount caster wheels (#6) to all four legs.
5. Set the table upright, check it is level, then tighten all the hardware with a wrench.
6. Install the plastic fluid drain pan (#9) on the left side of the table top.

### WARNING

- Do not climb or stand on this table.
- Use only on a smooth and level surface.
- Always ensure the caster wheels are locked when stationary. Push to move! Serious injury may occur if you pull the table. Keep drawer closed when not in use.
- Keep children away from this table when in use.

## PARTS BREAKDOWN



REF	DESCRIPTION	QTY	REF	DESCRIPTION	QTY
1	Bolt MB x 55	8	6	Caster Wheel	4
2	Nut MB	8	7	Table Top	1
3	Bolt MB x 25	16	8	Shelf	1
4	Spring Washer MB	16	9	Fluid Drain Pan	1
5	Flat Washer MB	16	10	Leg	4

A



Brand

surewerx.com