

Gravit-Eye® 16-Gallon Eyewash Station

Prod. No. S90320

sellstrom®

The Sellstrom® S90320 Gravit-Eye® Eyewash Station can be used in areas where any person may be exposed to injurious or corrosive materials and a continuous supply of water is not available. The Sellstrom® S90320 Gravit-Eye® Eyewash Station is ideal in remote and low traffic areas where protective measures are still needed. Emergency eyewash stations shall be in unobstructed and accessible locations that require no more than 10 seconds for the injured person to reach (see ANSI Z358.1-2014 appendix B5). Conforms to ANSI Z358.1-2014 and provides over 15 minutes of continuous flow.



Made in the U.S.A.

WARNING!

Under Penalty of Law:

These instructions are not to be removed except by the user of this equipment. Current instructions must always be available to any potential user. **Note:** Because of continuous developments in the application and use of Sellstrom equipment and our desire to serve your best interests, these instructions are invalid 10 years after the effective date on these instructions. If you purchase a product and these instructions are out of date, call SureWerx Customer Service and request current instructions. Dial toll-free 1-800-323-7402 (US), 1-800-472-7685 (Canada West), or 1-800-387-3879 (Canada East).

If you have difficulty or experience any problem with Sellstrom equipment or the instructions, call the above toll-free number immediately and ask the Customer Service department for assistance.

1.0 Approved Application

The Gravit-Eye® should only be used as an emergency eyewash station. Instructions must be followed and water purity must be maintained as directed.

2.0 Installation

- 2.1 The station shall be positioned with the flushing fluid nozzles not less than 33 inches (838 mm) and no greater than 45 inches (1143 mm) above the surface on which the user stands. It shall also be positioned so that the sides are a minimum 6 inches from the wall or nearest obstruction. Install unit so spent eyewash fluid transfers to an appropriate collection container or to a drain. Do not let spent eyewash fluid drain to the floor or to the surrounding areas of the tank due to dangers of slipping or electrical shock.
 - 2.2 If set on a flat surface such as a table, cart, or shelf, the surface should be of adequate strength to support 155 pounds, filled weight, with a 2-to-1 safety factor minimum. Carts, tables, or shelves used should therefore have a minimum static load rating of 310 pounds. Carts with casters should be locked into place (minimum of 2 locking casters).
 - 2.3 Eyewash units may be wall mounted using the “J” bracket enclosed in the accessory kit with each eyewash station. Hardware selected to mount the bracket should be chosen based on the wall construction that the unit is mounted on. Bracket must be mounted into a wall with sufficient strength to support the filled weight of the unit with appropriate safety factor as noted above.
 - 2.4 Do not mount into drywall without a wooden stud to support the weight.
 - 2.5 Where the possibility of freezing exists, equipment should be protected from freezing. The unit should deliver tepid flushing fluid with a minimum temperature of 60°F to a maximum temperature of 100°F. In circumstances where chemical reaction is accelerated by flushing fluid temperature, a facilities safety / health advisor should be consulted for the optimum temperature for each application. See ANSI Z358.1-2014 Appendix B6.
 - 2.6 After installation and filling, eyewash station should be activated for about 5 seconds to visually verify flow.
 - 2.7 It is the installer’s responsibility to ensure the eyewash is located in an area identified with a highly visible sign positioned so the sign shall be visible within the area served by the eyewash. The area around the eyewash shall be well lit.
-

3.0 Operation

- 3.1 Before initial use, clean and rinse station. It is recommended the eyewash be filled and flushed using hot water, 140°F (60°C) or hotter.
 - 3.2 Every time the unit is filled, it should first be cleaned and rinsed.
 - 3.3 Partially fill station with potable water.
 - 3.4 Add one, eight-ounce bottle of bacteriostatic additive to prevent bacteria growth in the tank.
 - 3.5 Continue to fill tank to 1/8-inch below overflow point.
 - 3.6 Install cap to the top of the station. Do not over tighten.
 - 3.7 It is recommended the eyewash be cleaned as directed, and the water be replaced at a minimum of every six months
-

4.0 Warnings

- 4.1 Read all follow all instructions for this eyewash station. Failure to do so may result in serious eye damage and vision loss.
 - 4.2 Clean tank every six months. Fill and flush using hot water, 140°F (60°C) or hotter, after cleaning.
 - 4.3 A new bottle of bacteriostatic additive must be added every time the eyewash tank is refilled.
-

5.0 Inspection

It is recommended the eyewash be inspected weekly for inadequate water level. Inspections which give evidence of any particulates or discoloration suggest the water be replaced immediately.

Sellstrom

S90320 Gravit-Eye® Portable Eyewash

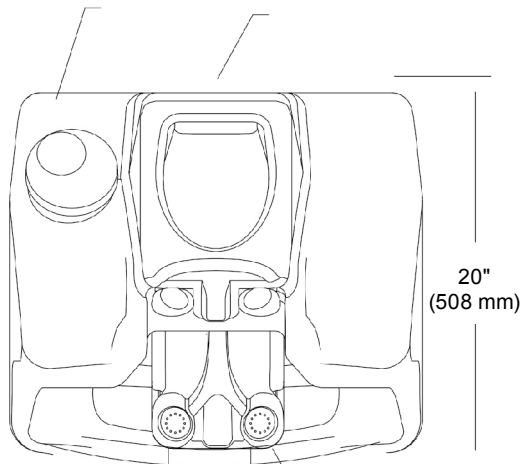
S90320 Poste de lavage oculaire Gravit-Eye®

S90320 Estación de lavado de ojos Gravit-Eye®

Top view/Vue de dessus/Vista superior

(Unit shown in open positions)

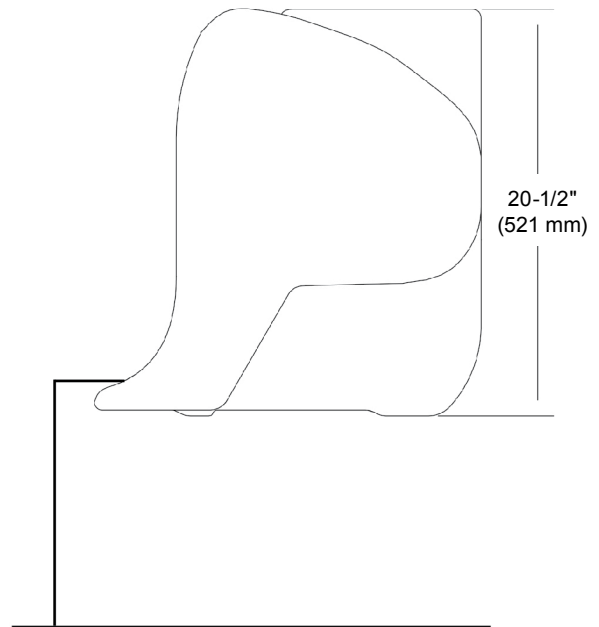
(Unité montrée en position ouverte/unidad abierta)



4-1/4"
(108 mm)

Dual outlet heads on "Swing Down" tray
Doubles têtes de sortie sur plateau
pivotant vers le bas
Bandeja de apertura hacia abajo con
dos cabezales de salida de agua

Side view/Vue latérale/Vista lateral

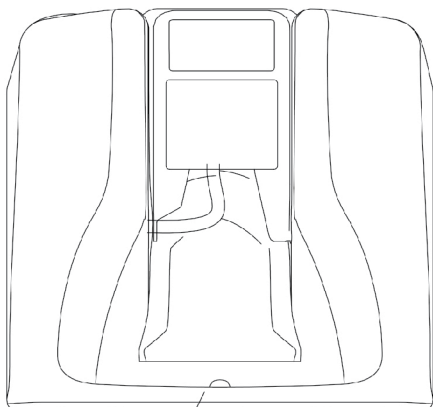


20-1/2"
(521 mm)

Front view/Vue frontale/Vista frontal

(Unit shown in closed positions)

(Unité montrée en position fermée/unidad cerrada)



Drain Opening
Orifice de drainage
Drenaje

22"
(559 mm)

16 Gallon (60.5 L) Capacity Molded Polyethylene Tank

Eyewash shall be positioned with nozzles not less than 33" (838 mm) and no greater than 45" (1143 mm) from finished floor surface.

Capacité de 16 gallons (60.5 L) Réservoir en polyéthylène moulé

Le poste de lavage oculaire devra être positionné avec les buses à une distance comprise entre 33 po (838 mm) et 45 po (1143 mm) de la surface du sol fini.

Capacidad 16 Galones (60.5 L) Tanque de Polietileno moldeado

La estación de lavado de ojos debe ubicarse con las boquillas a no menos de 33" (838 mm) y no más de 45" (1143 mm) de la superficie del piso terminado.



surewerx.com

Canada:
SureWerx, 49 Schooner St.
Coquitlam, BC V3K 0B3

USA:
SureWerx USA Inc.
Elgin, IL USA 60123

Europe:
Balder d.o.o. Teslova ulica 30
SI-1000 Ljubljana, Slovenia