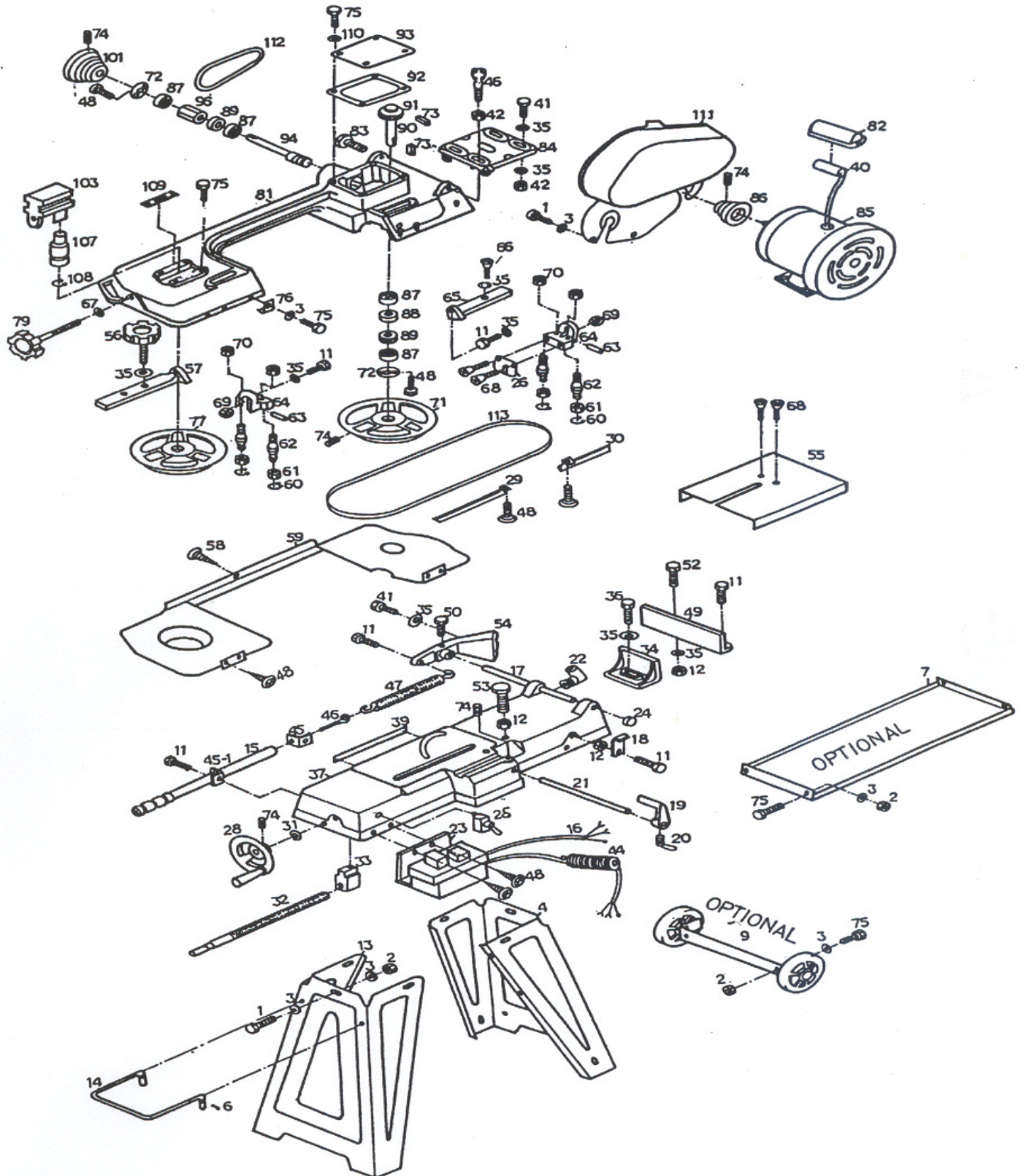


# JHVB-46 4" x 6" HORIZONTAL/VERTICAL METAL CUTTING BANDSAW PRODUCT # 222326





# JHVB-46 4" x 6" HORIZONTAL/VERTICAL METAL CUTTING BANDSAW PRODUCT # 222326

REF	PART NUMBER	DESCRIPTION	REQ	REF	PART NUMBER	DESCRIPTION	REQ
1	PDN-JHVB46-01	JHVB46 HEX HEAD SCREW	8	55	PDN-JHVB46-55	JHVB46 VERT CUTTING TABLE	1
2	PDN-JHVB46-02	JHVB46 HEX NUT	9	56	PDN-JHVB46-56	JHVB46 BRACKET LOCK LEFT	1
3	PDN-JHVB46-03	JHVB46 WASHER	18	57	PDN-JHVB46-57	JHVB46 BLADE GUIDE BRKT LEFT	1
4	PDN-JHVB46-04	JHVB46 STAND RIGHT SIDE	1	58	PDN-JHVB46-58	JHVB46 PLUMB SCREW	1
6	PDN-JHVB46-06	JHVB46 PIN	4	59	PDN-JHVB46-59	JHVB46 BLADE COVER	1
7	PDN-JHVB46-07	JHVB46 STAND SHELL	1	60	PDN-JHVB46-60	JHVB46 C-RING	1
9	PDN-JHVB46-09	JHVB46 STAND CASTERS ASSY	1	61	PDN-JHVB46-61	JHVB46 BEARING:USE PB	4
11	PDN-JHVB46-11	JHVB46 HEX HEAD SCREW	13	62	PDN-JHVB46-62	JHVB46 GUIDE PIVOT	4
12	PDN-JHVB46-12	JHVB46 HEX NUT	10	63	PDN-JHVB46-63	JHVB46 BEARING SHAFT PIN	2
13	PDN-JHVB46-13	JHVB46 STAND LEFT SIDE	1	64	PDN-JHVB46-64	JHVB46 BLADE SEAT	2
14	PDN-JHVB46-14	JHVB46 DRAWING HANDLE STAND	1	65	PDN-JHVB46-65	JHVB46 BLADE GUIDE BRKT RIGHT	1
15	PDN-JHVB46-15	JHVB46 ADJUSTING ROD	1	66	PDN-JHVB46-66	JHVB46 BRACKET LOCKS RIGHT	2
16	PDN-JHVB46-16	JHVB46 ELECTRIC CABLE PLUG	1	67	PDN-JHVB46-67	JHVB46 WASHER	2
17	PDN-JHVB46-17	JHVB46 PIVOT ROD	1	68	PDN-JHVB46-68	JHVB46 SCREW	5
18	PDN-JHVB46-18	JHVB46 SUPPORT PLATE	1	69	PB608-2Z	JHVB46 BEARING	2
19	PDN-JHVB46-19	JHVB46 STOCK STOP	1	70	PDN-JHVB46-70	JHVB46 HEX NUT	4
20	PDN-JHVB46-20	JHVB46 THUMB SCREW	1	71	PDN-JHVB46-71	JHVB46 DRIVE BLADEWHEEL	1
21	PDN-JHVB46-21	JHVB46 ROD STOCK STOP	1	72	PDN-JHVB46-72	JHVB46 BEARING COVER	2
22	PDN-JHVB46-22	JHVB46 CABLE STRAIN RELIEF	1	73	PDN-JHVB46-73	JHVB46 KEY	2
24	PDN-JHVB46-24	JHVB46 BUSHING	1	74	PDN-JHVB46-74	JHVB46 SET SCREW	4
25	PDN-JHVB46-25	JHVB46 ON/OFF SWITCH	1	75	PDN-JHVB46-75	JHVB46 HEX HEAD SCREW	9
26	PDN-JHVB46-26	JHVB46 BLADE GUARD	1	76	PDN-JHVB46-76	JHVB46 SWITCH CUT OFF TIP	1
28	PDN-JHVB46-28	JHVB46 HAND WHEEL	1	77	PDN-JHVB46-77	JHVB46 IDLE BLADE WHEEL	1
29	PDN-JHVB46-29	JHVB46 BLADE COVER LEFT	1	79	PDN-JHVB46-79	JHVB46 TENSION KNOB	1
30	PDN-JHVB46-30	JHVB46 BLADE COVER RIGHT	1	81	PDN-JHVB46-81	JHVB46 BODY FRAME	1
31	PDN-JHVB46-31	JHVB46 C-RING	1	82	PDN-JHVB46-82	JHVB46 CONDENSER COVER	1
32	PDN-JHVB46-32	JHVB46 LEAD SCREW VISE	1	83	PDN-JHVB46-83	JHVB46 SET SCREW	2
33	PDN-JHVB46-33	JHVB46 VISE NUT	1	84	PDN-JHVB46-84	JHVB46 MOTOR PLATE	1
34	PDN-JHVB46-34	JHVB46 CLAMPING PLATE VISE	1	85	PDN-JHVB46-85	JHVB46 MOTOR 1/3HP 115V/60HZ	1
35	PDN-JHVB46-35	JHVB46 WASHER	1	86	PDN-JHVB46-86	JHVB46 MOTOR PULLEY	1
36	PDN-JHVB46-36	JHVB46 HEXS HEAD BOLT	1	87	PB6202-2Z	JHVB46 BEARING	4
37	PDN-JHVB46-37	JHVB46 CASTING BASE	1	88	PDN-JHVB46-88	JHVB46 BUSHING	1
39	PDN-JHVB46-39	JHVB46 SCALE	1	89	PDN-JHVB46-89	JHVB46 OIL SEAL	2
40	PDN-JHVB46-40	JHVB46 CONDENSER MOTOR	1	90	PDN-JHVB46-90	JHVB46 TRANS GEAR SHAFT	1
41	PDN-JHVB46-41	JHVB46 HEX HEAD SCREW	1	91	PDN-JHVB46-91	JHVB46 TRANSMISSION GEAR	1
42	PDN-JHVB46-42	JHVB46 HEX NUT	4	92	PDN-JHVB46-92	JHVB46 GASKET GEAR BOX	1
44	PDN-JHVB46-44	JHVB46 ELECTRICAL CABLE	1	93	PDN-JHVB46-93	JHVB46 GEAR BOX COVER	1
45	PDN-JHVB46-45	JHVB46 NUT PLATE	2	94	PDN-JHVB46-94	JHVB46 WORM GEAR	1
46	PDN-JHVB46-46	JHVB46 SPRING ADJUSTING SCREW	1	96	PDN-JHVB46-96	JHVB46 BUSHING	1
47	PDN-JHVB46-47	JHVB46 SPRING	1	101	PDN-JHVB46-101	JHVB46 GEAR PULLEY	1
48	PDN-JHVB46-48	JHVB46 SCREW	14	103	PDN-JHVB46-103	JHVB46 BLOCK BLADE TENSION	1
49	PDN-JHVB46-49	JHVB46 VISE PLATE	1	107	PDN-JHVB46-107	JHVB46 BLADE WHEEL SHAFT	1
50	PDN-JHVB46-50	JHVB46 HEX HEAD SCREW	1	108	PDN-JHVB46-108	JHVB46 C-RING	1
52	PDN-JHVB46-52	JHVB46 HEX HEAD SCREW	1	109	PDN-JHVB46-109	JHVB46 BLADE TENSION GUIDE	2
53	PDN-JHVB46-53	JHVB46 HEX HEAD SCREW	1	110	PDN-JHVB46-110	JHVB46 SPRING WASHER	4
54	PDN-JHVB46-54	JHVB46 ARM	1	111	PDN-JHVB46-111	JHVB46 PULLEY CASE LOWER	1
55	PDN-JHVB46-55	JHVB46 VERTICAL CUTTING TABLE	1	112	PDN-JHVB46-112	JHVB46 V-BELT (A-22)	1
55	PDN-JHVB46-55	JHVB46 VERTICAL CUTTING TABLE	1				