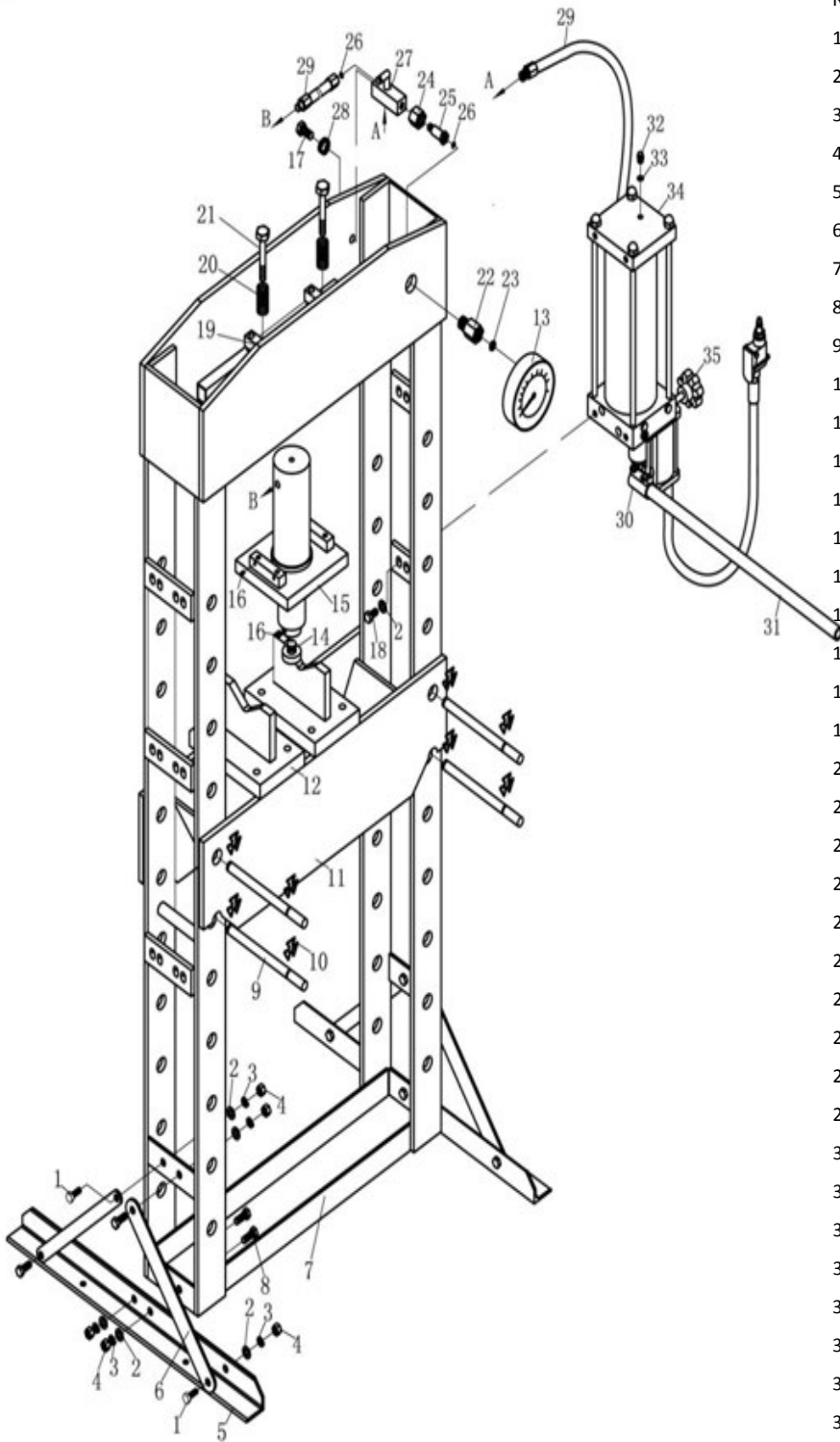


30 TON SUPER HEAVY DUTY SHOP PRESS MODEL SP30TSHD # 032182



REF	PART NUMBER	DESCRIPTION	REQ
1	PCN-SP30TSHD-HK	BOLT M10×25	8
2	PCN-SP30TSHD-HK	WASHER Φ10	16
3	PCN-SP30TSHD-HK	LOCK WASHER Φ10	12
4	PCN-SP30TSHD-HK	NUT M10	12
5	PCN-SP30TSHD-5	BASE SECTION	2
6	PCN-SP30TSHD-6	SUPPORT	4
7	PCN-SP30TSHD-7	BASE	2
8	PCN-SP30TSHD-HK	BOLT M10×35	4
9	PCN-SP30TSHD-9	BED FRAME PIN	4
10	PCN-SP30TSHD-10	CIRCLIP	8
11	PCN-SP30TSHD-11	BED FRAME	1
12	PCN-SP30TSHD-12	HEEL BLOCK	2
13	PCN-SP30TSHD-13	PRESSURE GAUGE	1
14	PCN-SP30TSHD-14	SERRATED SADDLE	1
15	PCN-SP30TSHD-15	RAM ASSY	1
16	PCN-SP30TSHD-16	SCREW M6×8	5
17	PCN-SP30TSHD-17	BOLT M12×25	1
18	PCN-SP30TSHD-HK	BOLT M10×20	4
19	PCN-SP30TSHD-19	LINK ROD	2
20	PCN-SP30TSHD-20	SPRING	4
21	PCN-SP30TSHD-21	BOLT M10×120	4
22	PCN-SP30TSHD-22	GAUGE FITTING	1
23	PCN-SP30TSHD-23	NYLON RING	1
24	PCN-SP30TSHD-24	NUT	1
25	PCN-SP30TSHD-25	SCREW	1
26	PCN-SP30TSHD-26	O-RING	2
27	PCN-SP30TSHD-27	BANJO FIXING	1
28	PCN-SP30TSHD-28	LOCK WASHER Φ12	1
29	PCN-SP30TSHD-29	OIL HOSE	2
30	PCN-SP30TSHD-30	HANDLE SOCKET	1
31	PCN-SP30TSHD-31	HANDLE	1
32	PCN-SP30TSHD-32	OIL FILLER NUT	1
33	PCN-SP30TSHD-33	NYLON RING	1
34	PCN-SP30TSHD-34	PUMP ASSY	1
35	PCN-SP30TSHD-35	RELEASE VALVE	1
36	PCN-SP30TSHD-36	BOLT	1
37	PCN-SP30TSHD-37	MESH GUARD	1
38	PCN-SP30TSHD-38	ADAPTER ACCESSORIES	1
RK	PCN-SP30TSHD-RK	PUMP ASST REPAIR KIT	1