



Under-Hood Work Table — 1000 lb Capacity Owner's Manual

⚠ WARNING

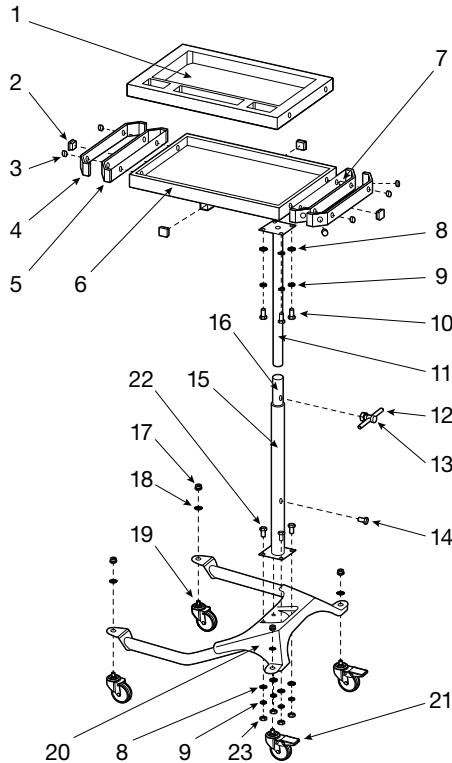


• Read and follow all instructions in Owner's Manual. • Do not load work table beyond rated capacity (100 lbs.) • Apply brake on locking casters anytime cart is in place. • Work table is designed to roll easily on flat surfaces and should not be used on uneven or inclined surfaces. • Do not stand on work table. • Do not pull work table. • Work table can tip or fall causing damage or injury. • Keep children away from work table • Wear gloves when lifting by edges • Failure to heed these warnings may result in personal injury and/or property damage.

⚠ WARNING



This product can expose you to chemicals including nickel, which is known to the State of California to cause cancer and birth defects or other reproductive harm. For more information go to [www. P65Warnings.ca.gov](http://www.P65Warnings.ca.gov)



#	Description	Qty	#	Description	Qty
2	Plastic Tube Cap	4	14	Bolt M5 x 8mm	1
3	Plastic Insert	8	15	Protect Foam	1
4	Bumper	2	16	Leg	1
5	Tool Holder	2	17	Locking nut M10	4
6	Steel Top Tray	1	18	Flat Washer M12	4
7	Bolt M8 x 16mm	4	19	3" PVC Swivel Caster	2
8	Flat Washer M8	8	20	Bottom Frame	1
9	Spring Washer M8	8	21	3" PVC Locking Caster	2
10	Bolt M6 x 16mm	4	22	Bolt M8 x 25mm	4
11	Inner Support Tube	1	23	Nut M8	4
12	Adjust Knob	1			

SPECIFICATIONS

Model 3999

Overall Tray Dimensions: 31.85" x 18" x 1.67"

Main Tray Area: 22.8" x 12.125" x 1.5"

Low Height: 35.85"

High Height: 48.4" 31.875"

Overall Length:

Overall Width: 28"

A



Brand



Tools Needed to Assemble Unit:

- 17 mm Wrench
- 14 mm Wrench

ASSEMBLY INSTRUCTIONS

1. **Fig. A.** Place #1 ABS tool tray on top of the steel top tray #6
2. **Fig. A.** Use #7 bolt to connect the #5 tool holder to the #1 ABS tray and tighten by hand to avoid holders coming off.
3. **Fig. B.** Connect #6 steel top tray and the #11 inner tube by using the #8 flat washer, #9 spring washer, and the #10 bolt to fasten all parts to the tray.
4. **Fig. C.** Use the #17 locking nut and the #18 flat washer to assemble the #19 swivel casters and #21 locking caster to the #20 bottom frame.
5. **Fig. C.** Make sure that the #21 locking casters are positioned on the rear of the frame as per diagram.
6. **Fig. D.** Use the #22 bolt, #8 flat washer, #9 spring washer and the #10 bolt to connect the #16 leg to the #20 bottom frame.
7. **Fig. D.** Slide the bottom of the cart over top of the #11 inner support tube.
8. Before righting the table make sure that all assembly parts have been used.
9. You are now ready to use your new AFF 3999 work table.

CAUTION

Do not exceed the 100 lb-rated capacity (max 45 kg)

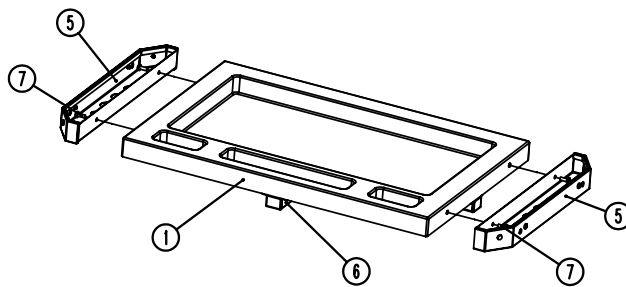


FIG: A

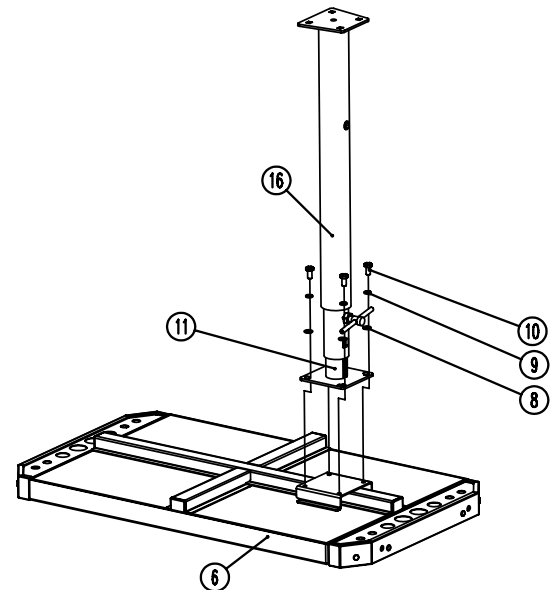


FIG: B

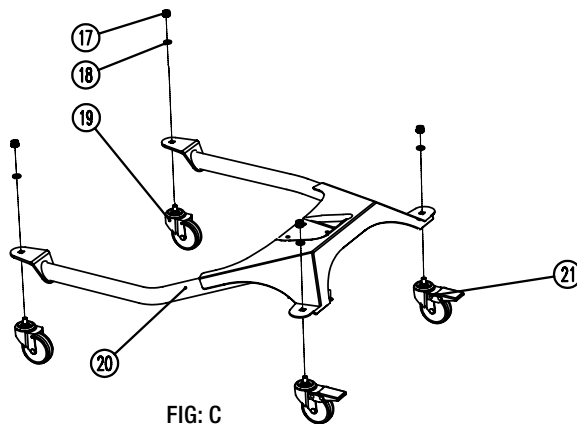


FIG: C

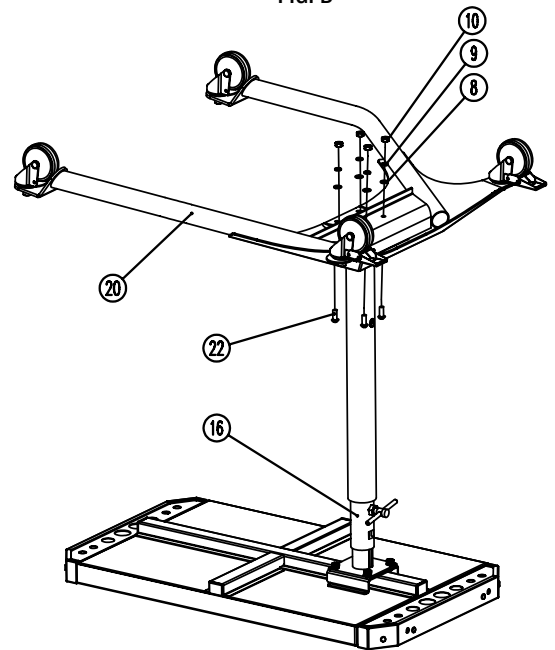


FIG: D