

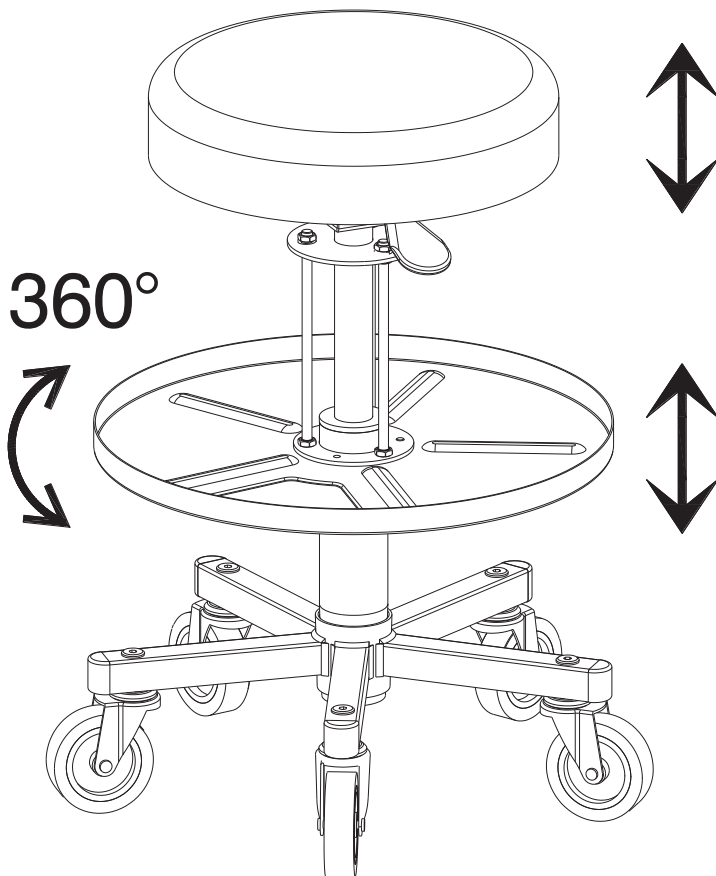
DELUXE MECHANIC'S ROLLING STOOL

PROD. NO. 355161
MOD. NO. JMS-350SHD

DIMENSIONS:
L 15" x W 15" x H 21-1/4"

FEATURES:

1. An ideal accessory for any garage, workshop, or auto-detailing shop.
2. Rugged steel construction with padded cushion seat for durability and conformability.
3. Durable and comfortable large, thick round seat, 11-7/8" x 2-1/2".
4. 17" to 21" pneumatic gas lift seat-height adjustment.
5. Hydraulic rise/fall tool tray can rotate 360°.
6. Five 3" heavy-duty construction wheels.
7. Weight capacity: 350 lbs



INSTALLATION

