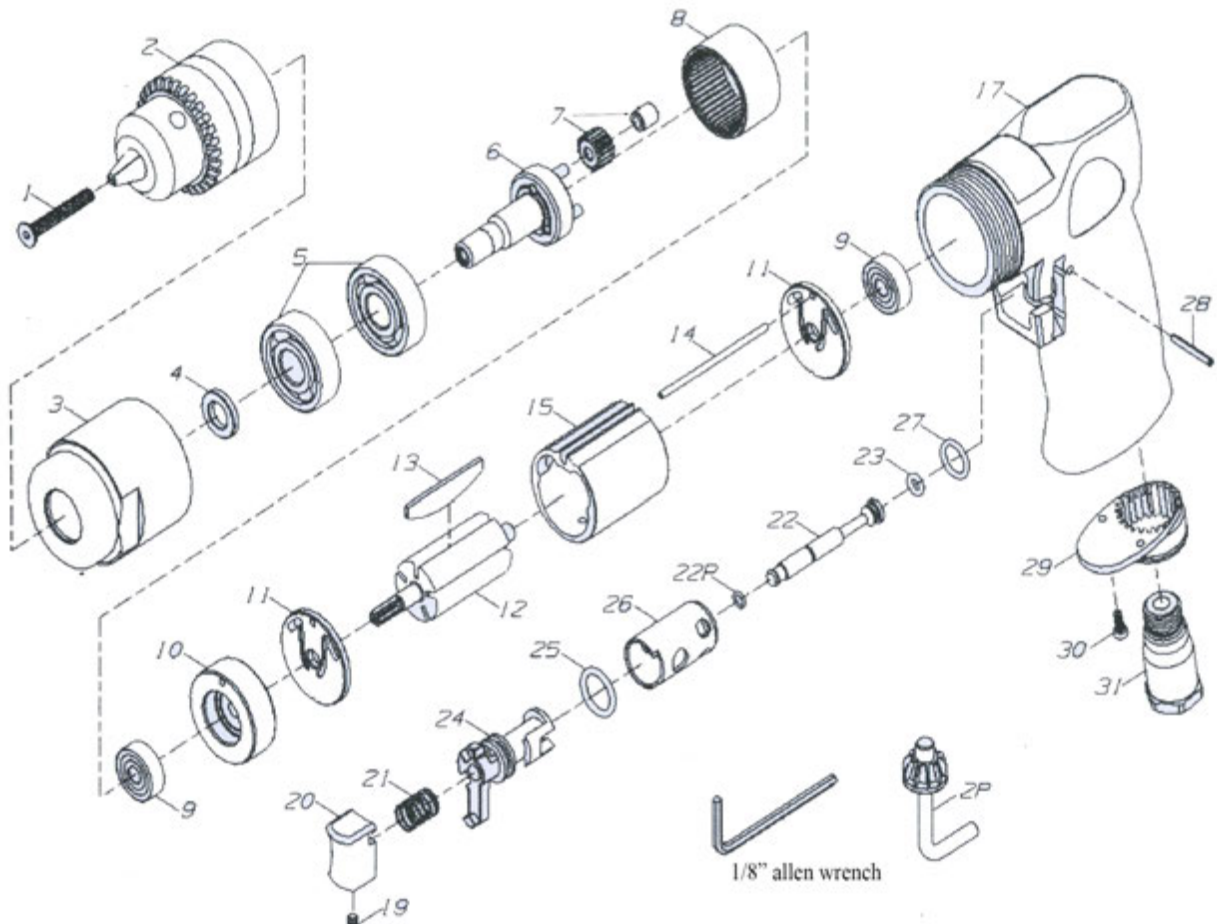


ADX380R 3/8" REVERSIBLE DRILL PRODUCT # 404415



REF	PART NUMBER	DESCRIPTION	REQ	REF	PART NUMBER	DESCRIPTION	REQ
1	PUT-137701	SCREW	1	17	PUT-137717	MOTOR HOUSING	1
2	PUT-137702	3/8" CHUCK	1	19	PUT-127810A	SET SCREW	1
2P	PUT-137702A	CHUCK KEY	1	20	PUT-137720	TRIGGER	1
3	PUT-137703	GEAR HOUSING	1	21	PUT-137721	VALVE SPRING	1
4	PUT-137704	WASHING	1	22	PUT-137722	VALVE	1
5	PB6201-2Z	BALL BEARING	2	22P	PUT-0400100	O-RING	1
6	PUT-137706	PLAN CARRIER	1	23	PUT-0400200	O-RING	1
7	PUTAD38021	PLANET GEAR	3	24	PUT-137724	REVERSE VALVE	1
8	PUT-137708	INTERNAL GEAR	1	25	PUT-137725	O-RING	1
9	PB626-2Z	BALL BEARING	2	26	PUT-137726	REV VALVE BUSHG	1
10	PUT-137710	BEARING CASE	1	27	PUT-1280240	O-RING	1
11	PUT-126328	REAR END PLATE	2	28	PUTAD3802	PIN	1
12	PUT-137712	ROTOR	1	29	PUT-137729	EXH DEFLECTOR	1
13	PUT-137713	ROTOR BLADE	5	30	PUT-137730	SCREW	2
14	PUT-137714	MOTOR PIN	1	31	PUT-137731	INLET BUSHING	1
15	PUT-126329	CYLINDER	1				