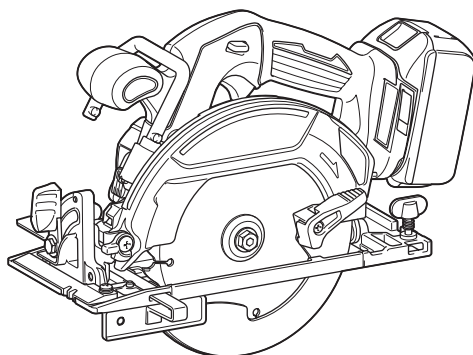




<b>EN</b>	Cordless Circular Saw	<b>INSTRUCTION MANUAL</b>	<b>6</b>
<b>SV</b>	Batteridrivnen cirkelsåg	<b>BRUKSANVISNING</b>	<b>14</b>
<b>NO</b>	Batteridrevet sirkelsag	<b>BRUKSANVISNING</b>	<b>22</b>
<b>FI</b>	Akkukäyttöinen pyörösaha	<b>KÄYTTÖOHJE</b>	<b>30</b>
<b>LV</b>	Bezvada diskzāģis	<b>LIETOŠANAS INSTRUKCIJA</b>	<b>38</b>
<b>LT</b>	Belaidis diskinis pjūklas	<b>NAUDOJIMO INSTRUKCIJA</b>	<b>46</b>
<b>ET</b>	Juhtmeta ketassaag	<b>KASUTUSJUHEND</b>	<b>54</b>
<b>RU</b>	Аккумуляторная циркулярная пила	<b>РУКОВОДСТВО ПО ЭКСПЛУАТАЦИИ</b>	<b>62</b>

## DHS680



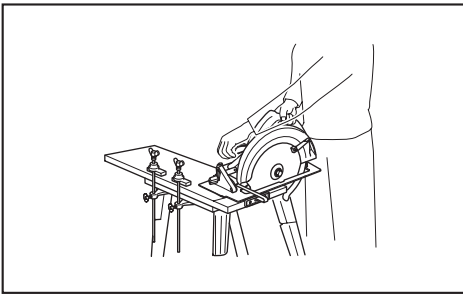


Fig.1

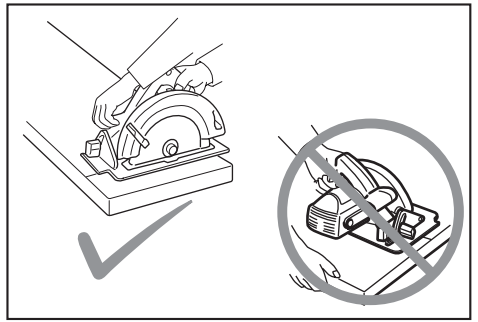


Fig.5

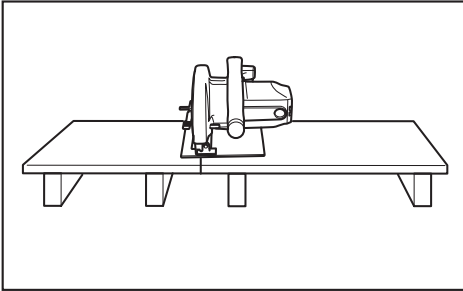


Fig.2

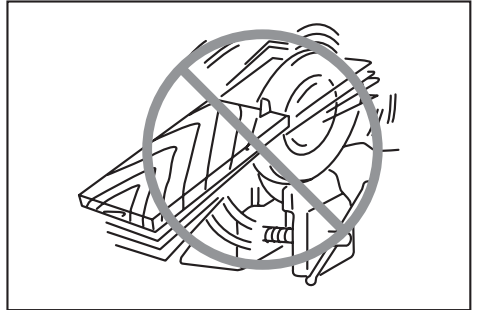


Fig.6

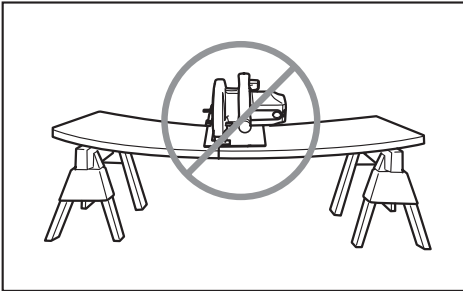


Fig.3

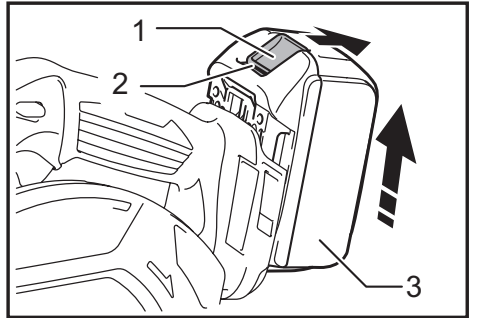


Fig.7

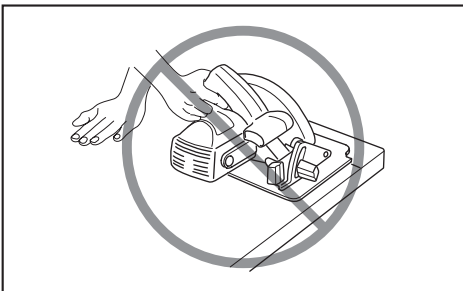


Fig.4

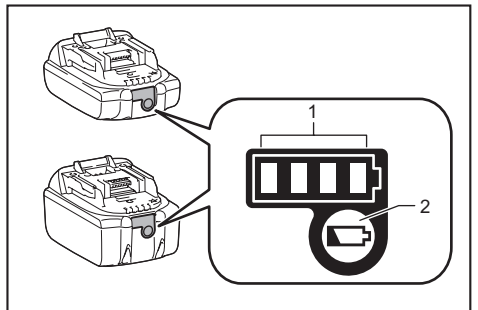


Fig.8

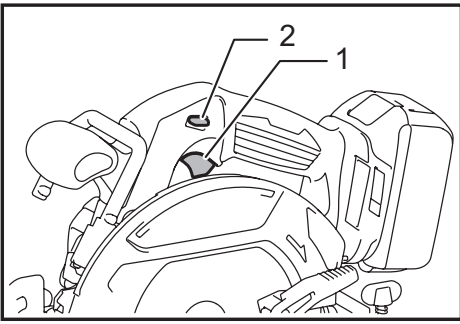


Fig.9

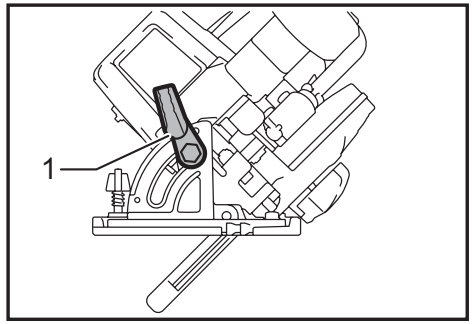


Fig.13

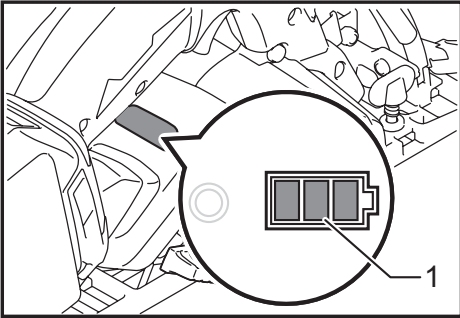


Fig.10

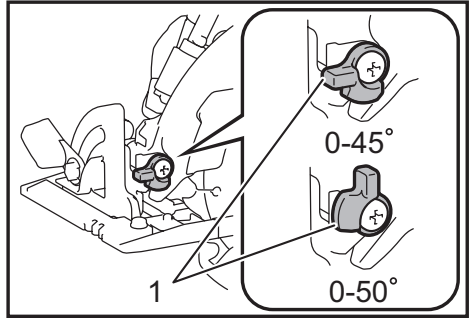


Fig.14

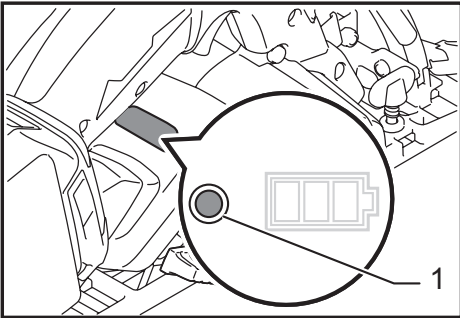


Fig.11

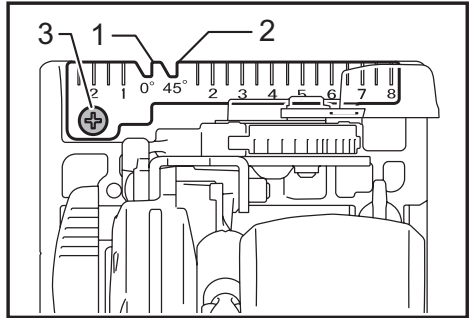


Fig.15

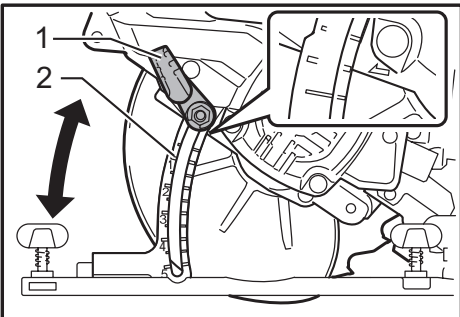


Fig.12

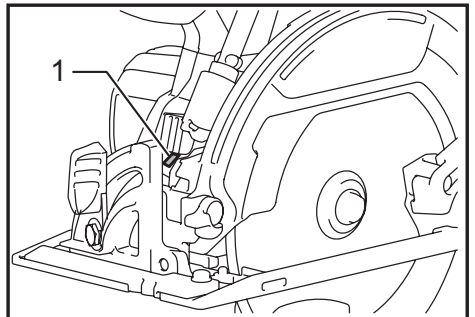


Fig.16

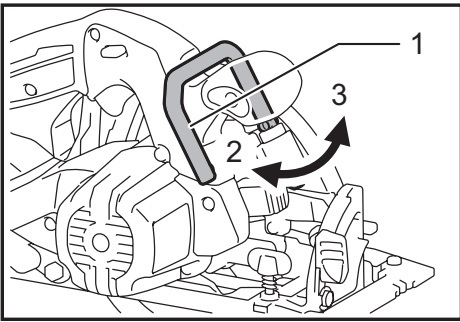


Fig.17

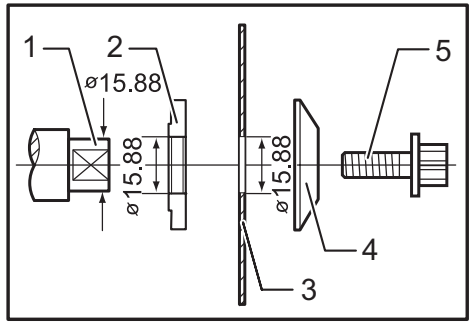


Fig.21

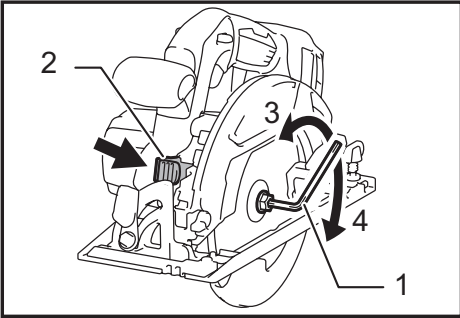


Fig.18

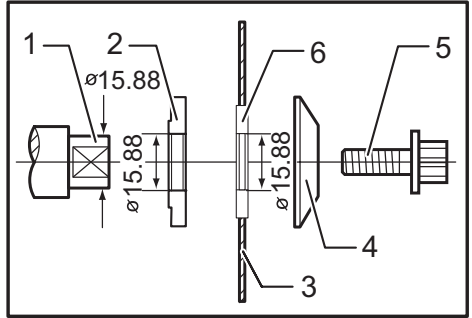


Fig.22

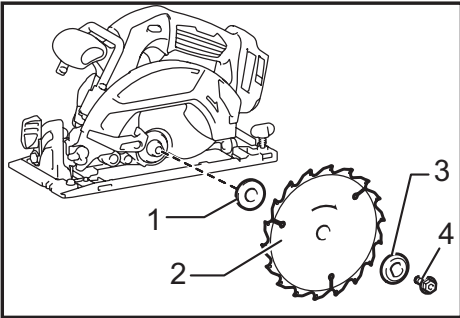


Fig.19

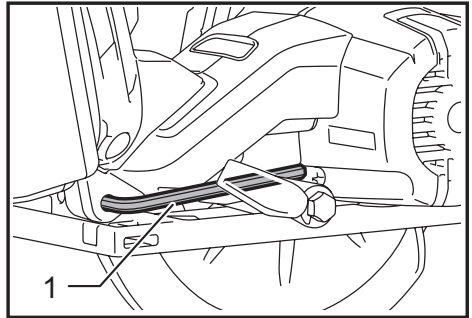


Fig.23

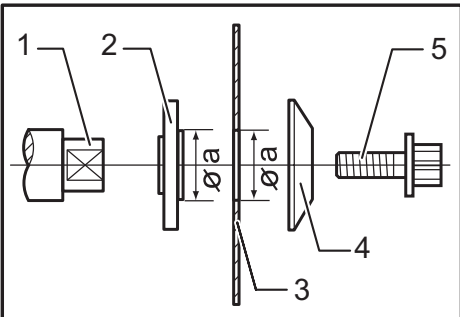


Fig.20

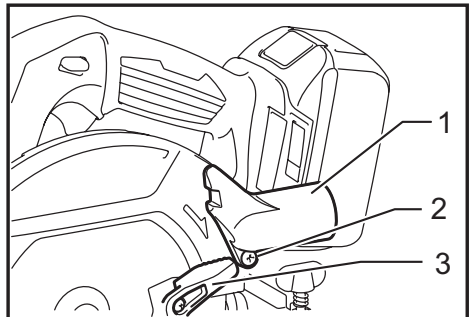


Fig.24

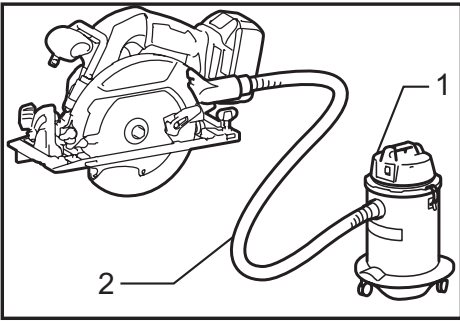


Fig.25

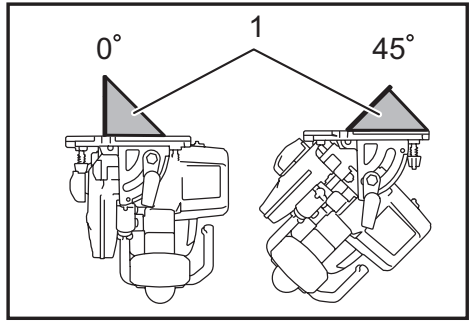


Fig.29

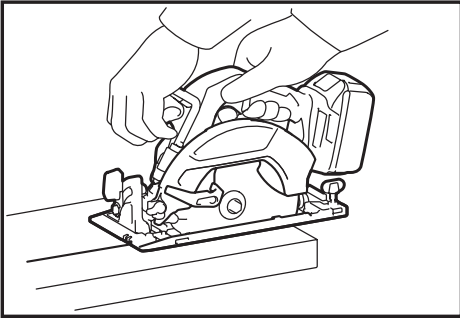


Fig.26

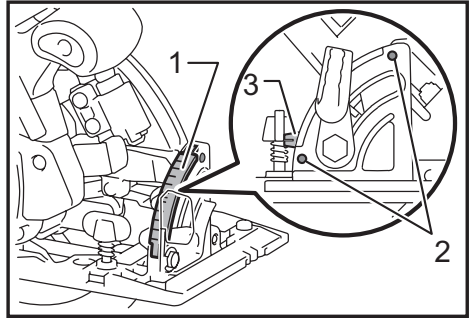


Fig.30

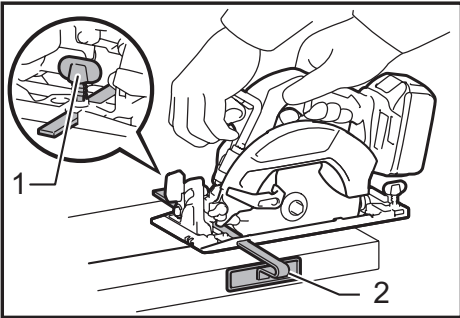


Fig.27

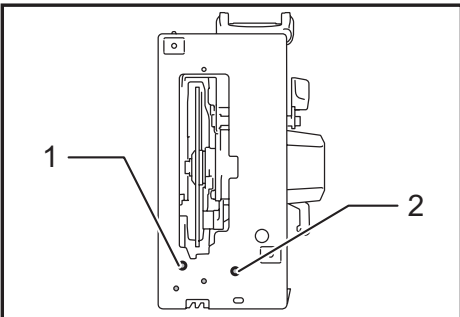


Fig.28

## SPECIFICATIONS

Model		DHS680
Blade diameter		165 mm
Max. cutting depth	at 0°	57 mm
	at 45°	41 mm
	at 50°	37 mm
No load speed		5,000 min <sup>-1</sup>
Overall length		350 mm
Net weight		3.0 - 3.3 kg
Rated voltage		D.C. 18 V

- Due to our continuing program of research and development, the specifications herein are subject to change without notice.
- Specifications may differ from country to country.
- The weight may differ depending on the attachment(s), including the battery cartridge. The lightest and heaviest combination, according to EPTA-Procedure 01/2014, are shown in the table.

### Applicable battery cartridge and charger

Battery cartridge	BL1815N / BL1820 / BL1820B / BL1830 / BL1830B / BL1840 / BL1840B / BL1850 / BL1850B / BL1860B
Charger	DC18RC / DC18RD / DC18RE / DC18SD / DC18SE / DC18SF

- Some of the battery cartridges and chargers listed above may not be available depending on your region of residence.

**⚠WARNING:** Only use the battery cartridges and chargers listed above. Use of any other battery cartridges and chargers may cause injury and/or fire.

#### Intended use

The tool is intended for performing lengthways and crossways straight cuts and mitre cuts with angles in wood while in firm contact with the workpiece. With appropriate Makita genuine saw blades, other materials can also be sawed.

#### Noise

The typical A-weighted noise level determined according to EN62841:

Sound pressure level ( $L_{pA}$ ) : 94 dB (A)

Sound power level ( $L_{WA}$ ) : 105 dB (A)

Uncertainty (K) : 3 dB (A)

#### Wear ear protection

#### Vibration

The vibration total value (tri-axial vector sum) determined according to EN62841:

Work mode : cutting wood

Vibration emission ( $a_{h,W}$ ) : 2.5 m/s<sup>2</sup> or less

Uncertainty (K) : 1.5 m/s<sup>2</sup>

**NOTE:** The declared vibration emission value has been measured in accordance with the standard test method and may be used for comparing one tool with another.

**NOTE:** The declared vibration emission value may also be used in a preliminary assessment of exposure.

**⚠WARNING:** The vibration emission during actual use of the power tool can differ from the declared emission value depending on the ways in which the tool is used.

**⚠WARNING:** Be sure to identify safety measures to protect the operator that are based on an estimation of exposure in the actual conditions of use (taking account of all parts of the operating cycle such as the times when the tool is switched off and when it is running idle in addition to the trigger time).

### EC Declaration of Conformity

#### For European countries only

The EC declaration of conformity is included as Annex A to this instruction manual.

### General power tool safety warnings

**⚠WARNING:** Read all safety warnings, instructions, illustrations and specifications provided with this power tool. Failure to follow all instructions listed below may result in electric shock, fire and/or serious injury.

# Save all warnings and instructions for future reference.

The term "power tool" in the warnings refers to your mains-operated (corded) power tool or battery-operated (cordless) power tool.

## Cordless circular saw safety warnings

### Cutting procedures

1. **▲ DANGER: Keep hands away from cutting area and the blade. Keep your second hand on auxiliary handle, or motor housing.** If both hands are holding the saw, they cannot be cut by the blade.
2. **Do not reach underneath the workpiece.** The guard cannot protect you from the blade below the workpiece.
3. **Adjust the cutting depth to the thickness of the workpiece.** Less than a full tooth of the blade teeth should be visible below the workpiece.
4. **Never hold the workpiece in your hands or across your leg while cutting. Secure the workpiece to a stable platform.** It is important to support the work properly to minimise body exposure, blade binding, or loss of control.

#### ► Fig.1

5. **Hold the power tool by insulated gripping surfaces, when performing an operation where the cutting tool may contact hidden wiring or its own cord.** Contact with a "live" wire will also make exposed metal parts of the power tool "live" and could give the operator an electric shock.
6. **When ripping, always use a rip fence or straight edge guide.** This improves the accuracy of cut and reduces the chance of blade binding.
7. **Always use blades with correct size and shape (diamond versus round) of arbour holes.** Blades that do not match the mounting hardware of the saw will run off-centre, causing loss of control.
8. **Never use damaged or incorrect blade washers or bolt.** The blade washers and bolt were specially designed for your saw, for optimum performance and safety of operation.

### Kickback causes and related warnings

- kickback is a sudden reaction to a pinched, jammed or misaligned saw blade, causing an uncontrolled saw to lift up and out of the workpiece toward the operator;
- when the blade is pinched or jammed tightly by the kerf closing down, the blade stalls and the motor reaction drives the unit rapidly back toward the operator;
- if the blade becomes twisted or misaligned in the cut, the teeth at the back edge of the blade can dig into the top surface of the wood causing the blade to climb out of the kerf and jump back toward the operator.

Kickback is the result of saw misuse and/or incorrect operating procedures or conditions and can be avoided by taking proper precautions as given below.

1. **Maintain a firm grip with both hands on the saw and position your arms to resist kickback forces. Position your body to either side of the blade, but not in line with the blade.** Kickback could cause the saw to jump backwards, but kickback forces can be controlled by the operator, if proper precautions are taken.

2. **When blade is binding, or when interrupting a cut for any reason, release the trigger and hold the saw motionless in the material until the blade comes to a complete stop. Never attempt to remove the saw from the work or pull the saw backward while the blade is in motion or kickback may occur.** Investigate and take corrective actions to eliminate the cause of blade binding.
3. **When restarting a saw in the workpiece, centre the saw blade in the kerf so that the saw teeth are not engaged into the material.** If a saw blade binds, it may walk up or kickback from the workpiece as the saw is restarted.
4. **Support large panels to minimise the risk of blade pinching and kickback.** Large panels tend to sag under their own weight. Supports must be placed under the panel on both sides, near the line of cut and near the edge of the panel.

#### ► Fig.2

#### ► Fig.3

5. **Do not use dull or damaged blades.** Unsharpened or improperly set blades produce narrow kerf causing excessive friction, blade binding and kickback.
6. **Blade depth and bevel adjusting locking levers must be tight and secure before making the cut.** If blade adjustment shifts while cutting, it may cause binding and kickback.
7. **Use extra caution when sawing into existing walls or other blind areas.** The protruding blade may cut objects that can cause kickback.
8. **ALWAYS hold the tool firmly with both hands. NEVER place your hand, leg or any part of your body under the tool base or behind the saw, especially when making cross-cuts.** If kickback occurs, the saw could easily jump backwards over your hand, leading to serious personal injury.

#### ► Fig.4

9. **Never force the saw. Push the saw forward at a speed so that the blade cuts without slowing.** Forcing the saw can cause uneven cuts, loss of accuracy, and possible kickback.

### Lower guard function

1. **Check the lower guard for proper closing before each use. Do not operate the saw if the lower guard does not move freely and close instantly. Never clamp or tie the lower guard into the open position.** If the saw is accidentally dropped, the lower guard may be bent. Raise the lower guard with the retracting handle and make sure it moves freely and does not touch the blade or any other part, in all angles and depths of cut.
2. **Check the operation of the lower guard spring. If the guard and the spring are not operating properly, they must be serviced before use.** Lower guard may operate sluggishly due to damaged parts, gummy deposits, or a build-up of debris.
3. **The lower guard may be retracted manually only for special cuts such as "plunge cuts" and "compound cuts". Raise the lower guard by the retracting handle and as soon as the blade enters the material, the lower guard must be released.** For all other sawing, the lower guard should operate automatically.

4. **Always observe that the lower guard is covering the blade before placing the saw down on bench or floor.** An unprotected, coasting blade will cause the saw to walk backwards, cutting whatever is in its path. Be aware of the time it takes for the blade to stop after switch is released.
5. **To check lower guard, open lower guard by hand, then release and watch guard closure. Also check to see that retracting handle does not touch tool housing.** Leaving blade exposed is VERY DANGEROUS and can lead to serious personal injury.

#### Additional safety warnings

1. **Use extra caution when cutting damp wood, pressure treated lumber, or wood containing knots.** Maintain smooth advancement of tool without decrease in blade speed to avoid overheating the blade tips.
2. **Do not attempt to remove cut material when blade is moving. Wait until blade stops before grasping cut material.** Blades coast after turn off.
3. **Avoid cutting nails. Inspect for and remove all nails from lumber before cutting.**
4. **Place the wider portion of the saw base on that part of the workpiece which is solidly supported, not on the section that will fall off when the cut is made. If the workpiece is short or small, clamp it down. DO NOT TRY TO HOLD SHORT PIECES BY HAND!**

#### ► Fig.5

5. **Before setting the tool down after completing a cut, be sure that the guard has closed and the blade has come to a complete stop.**
6. **Never attempt to saw with the circular saw held upside down in a vise. This is extremely dangerous and can lead to serious accidents.**

#### ► Fig.6

7. **Some material contains chemicals which may be toxic. Take caution to prevent dust inhalation and skin contact. Follow material supplier safety data.**
8. **Do not stop the blades by lateral pressure on the saw blade.**
9. **Do not use any abrasive wheels.**
10. **Only use the saw blade with the diameter that is marked on the tool or specified in the manual.** Use of an incorrectly sized blade may affect the proper guarding of the blade or guard operation which could result in serious personal injury.
11. **Keep blade sharp and clean.** Gum and wood pitch hardened on blades slows saw and increases potential for kickback. Keep blade clean by first removing it from tool, then cleaning it with gum and pitch remover, hot water or kerosene. Never use gasoline.
12. **Wear a dust mask and hearing protection when use the tool.**
13. **Always use the saw blade intended for cutting the material that you are going to cut.**
14. **Only use the saw blades that are marked with a speed equal or higher than the speed marked on the tool.**
15. **(For European countries only)  
Always use the blade which conforms to EN847-1.**

## SAVE THESE INSTRUCTIONS.

**▲WARNING: DO NOT** let comfort or familiarity with product (gained from repeated use) replace strict adherence to safety rules for the subject product. **MISUSE** or failure to follow the safety rules stated in this instruction manual may cause serious personal injury.

## Important safety instructions for battery cartridge

1. **Before using battery cartridge, read all instructions and cautionary markings on (1) battery charger, (2) battery, and (3) product using battery.**
2. **Do not disassemble battery cartridge.**
3. **If operating time has become excessively shorter, stop operating immediately. It may result in a risk of overheating, possible burns and even an explosion.**
4. **If electrolyte gets into your eyes, rinse them out with clear water and seek medical attention right away. It may result in loss of your eyesight.**
5. **Do not short the battery cartridge:**
  - (1) **Do not touch the terminals with any conductive material.**
  - (2) **Avoid storing battery cartridge in a container with other metal objects such as nails, coins, etc.**
  - (3) **Do not expose battery cartridge to water or rain.**

A battery short can cause a large current flow, overheating, possible burns and even a breakdown.

6. **Do not store the tool and battery cartridge in locations where the temperature may reach or exceed 50 °C (122 °F).**
7. **Do not incinerate the battery cartridge even if it is severely damaged or is completely worn out. The battery cartridge can explode in a fire.**
8. **Be careful not to drop or strike battery.**
9. **Do not use a damaged battery.**
10. **The contained lithium-ion batteries are subject to the Dangerous Goods Legislation requirements.** For commercial transports e.g. by third parties, forwarding agents, special requirement on packaging and labeling must be observed. For preparation of the item being shipped, consulting an expert for hazardous material is required. Please also observe possibly more detailed national regulations. Tape or mask off open contacts and pack up the battery in such a manner that it cannot move around in the packaging.
11. **Follow your local regulations relating to disposal of battery.**
12. **Use the batteries only with the products specified by Makita.** Installing the batteries to non-compliant products may result in a fire, excessive heat, explosion, or leak of electrolyte.

## SAVE THESE INSTRUCTIONS.

**▲CAUTION: Only use genuine Makita batteries.** Use of non-genuine Makita batteries, or batteries that have been altered, may result in the battery bursting causing fires, personal injury and damage. It will also void the Makita warranty for the Makita tool and charger.



## Tips for maintaining maximum battery life

1. Charge the battery cartridge before completely discharged. Always stop tool operation and charge the battery cartridge when you notice less tool power.
2. Never recharge a fully charged battery cartridge. Overcharging shortens the battery service life.
3. Charge the battery cartridge with room temperature at 10 °C - 40 °C (50 °F - 104 °F). Let a hot battery cartridge cool down before charging it.
4. Charge the battery cartridge if you do not use it for a long period (more than six months).

## FUNCTIONAL DESCRIPTION

### ⚠ CAUTION:

- Always be sure that the tool is switched off and the battery cartridge is removed before adjusting or checking function on the tool.

## Installing or removing battery cartridge

► Fig.7: 1. Button 2. Red indicator 3. Battery cartridge

### ⚠ CAUTION:

- Always switch off the tool before installing or removing of the battery cartridge.
- **Hold the tool and the battery cartridge firmly when installing or removing battery cartridge.** Failure to hold the tool and the battery cartridge firmly may cause them to slip off your hands and result in damage to the tool and battery cartridge and a personal injury.

To remove the battery cartridge, slide it from the tool while sliding the button on the front of the cartridge. To install the battery cartridge, align the tongue on the battery cartridge with the groove in the housing and slip it into place. Insert it all the way until it locks in place with a little click. If you can see the red indicator on the upper side of the button, it is not locked completely.

### ⚠ CAUTION:

- Always install the battery cartridge fully until the red indicator cannot be seen. If not, it may accidentally fall out of the tool, causing injury to you or someone around you.
- Do not install the battery cartridge forcibly. If the cartridge does not slide in easily, it is not being inserted correctly.

### NOTE:


















- When the battery cartridge is not removed easily, push it from the opposite side of the button and slide it.

## Indicating the remaining battery capacity

*Only for battery cartridges with the indicator*

► Fig.8: 1. Indicator lamps 2. Check button

Press the check button on the battery cartridge to indicate the remaining battery capacity. The indicator lamps light up for a few seconds.

Indicator lamps			Remaining capacity
 Lighted	 Off	 Blinking	
			75% to 100%
			50% to 75%
			25% to 50%
			0% to 25%
			Charge the battery.
			The battery may have malfunctioned.
			

**NOTE:** Depending on the conditions of use and the ambient temperature, the indication may differ slightly from the actual capacity.

## Switch action

### ⚠ CAUTION:

- Before installing the battery cartridge into the tool, always check to see that the switch trigger actuates properly and returns to the "OFF" position when released.
- Do not pull the switch trigger hard without pressing the lock-off lever. This can cause switch breakage.

► Fig.9: 1. Switch trigger 2. Lock-off lever

To prevent the switch trigger from being accidentally pulled, a lock-off lever is provided. To start the tool, press the lock-off lever and pull the switch trigger. Release the switch trigger to stop.

### ⚠ WARNING:

- For your safety, this tool is equipped with lock-off lever which prevents the tool from unintended starting. NEVER use the tool if it runs when you simply pull the switch trigger without pressing the lock-off lever. Return tool to a MAKITA service center for proper repairs BEFORE further usage.
- NEVER tape down or defeat purpose and function of lock-off lever.

## Indicating remaining battery capacity

### Country specific

► Fig.10: 1. Battery indicator

When you turn the tool on, the battery indicator shows the remaining battery capacity.

The remaining battery capacity is shown as the following table.

Battery indicator status	Remaining battery capacity
:On :Off :Blinking	
	50% - 100%
	20% - 50%
	0% - 20%
	Charge the battery

## Automatic speed change function

► Fig.11: 1. Mode indicator

Mode indicator status	Operation mode
	High speed mode
	High torque mode

This tool has "high speed mode" and "high torque mode". It automatically changes operation mode depending on the work load. When mode indicator lights up during operation, the tool is in high torque mode.

## Tool / battery protection system

The tool is equipped with a tool/battery protection system. This system automatically cuts off power to the motor to extend tool and battery life.

The tool will automatically stop during operation if the tool or battery are placed under one of the following conditions. In some conditions, the indicator lights up.

### Overload protection

When the tool is operated in a manner that causes it to draw an abnormally high current, the tool automatically stops without any indications. In this situation, turn the tool off and stop the application that caused the tool to become overloaded. Then turn the tool on to restart.

## Overheat protection for tool

When the tool is overheated, the tool stops automatically and the battery indicator shows following state. In this situation, let the tool cool before turning the tool on again.

Battery indicator	:On	:Off	:Blinking
Tool is overheated			

## Releasing protection lock

When the protection system works repeatedly, the tool is locked and the battery indicator shows the following state.

Battery indicator	:On	:Off	:Blinking
Protection lock works			

In this situation, the tool does not start even if turning the tool off and on. To release the protection lock, remove the battery, set it to the battery charger and wait until the charging finishes.

## Adjusting depth of cut

### CAUTION:

- After adjusting the depth of cut, always tighten the lever securely.

► Fig.12: 1. Lever 2. Depth guide

Loosen the lever on the side of the rear handle and move the base up or down. At the desired depth of cut, secure the base by tightening the lever.

For cleaner, safer cuts, set cut depth so that no more than one blade tooth projects below workpiece. Using proper cut depth helps to reduce potential for dangerous KICKBACKS which can cause personal injury.

## Bevel cutting

► Fig.13: 1. Front lever

Loosen the front lever. Set for the desired angle (0° - 50°) by tilting accordingly, then tighten the front lever securely.

► Fig.14: 1. Stopper

Use the 45° stopper when you do precise 45° angle cutting. Turn the stopper counterclockwise fully for bevel cut (0° - 45°) and turn it clockwise for 0° - 50° bevel cuts.

## Sighting

► Fig.15: 1. Cutting line (0° position) 2. Cutting line (45° position) 3. Screw

For straight cuts, align the 0° position on the front of the base with your cutting line. For 45° bevel cuts, align the 45° position with it. The position of the top guide is adjustable.

## Lighting the lamp

### ⚠ CAUTION:

- Do not look in the lamp or see the source of lamp directly.

#### ► Fig.16: 1. Lamp

Only to turn on the lamp, pull the switch trigger without pressing the lock-off lever. To turn on the lamp and run the tool, press the lock-off lever and pull the switch trigger with pressing the lock-off lever. The lamp keeps on lighting while the switch trigger is being pulled. The lamp goes out 10 -15 seconds after releasing the trigger.

### NOTE:

- Use a dry cloth to wipe the dirt off the lens of lamp. Be careful not to scratch the lens of lamp, or it may lower the illumination.
- Do not use gasoline, thinner or the like to clean the lens of lamp. Using such substances will damage the lens.

## Hook

### ⚠ CAUTION:

- Always remove the battery when hanging the tool with the hook.
- Never hook the tool at high location or on potentially unstable surface.

#### ► Fig.17: 1. Hook 2. Close 3. Open

The hook is convenient for hanging the tool temporarily. To use the hook, simply turn it until it snaps into the open position. When not in use, always turn the hook until it snaps into the closed position.

## ASSEMBLY

### ⚠ CAUTION:

- Always be sure that the tool is switched off and the battery cartridge is removed before carrying out any work on the tool.

## Removing or installing saw blade

### ⚠ CAUTION:

- Be sure the blade is installed with teeth pointing up at the front of the tool.
- Use only the Makita wrench to install or remove the blade.

#### ► Fig.18: 1. Hex wrench 2. Shaft lock 3. Tighten 4. Loosen

To remove the blade, press the shaft lock so that the blade cannot revolve and use the wrench to loosen the hex bolt clockwise. Then remove the hex bolt, outer flange and blade.

#### ► Fig.19: 1. Inner flange 2. Saw blade 3. Outer flange 4. Hex bolt

To install the blade, follow the removal procedure in reverse. **BE SURE TO TIGHTEN THE HEX BOLT COUNTERCLOCKWISE SECURELY.** When changing blade, make sure to also clean the upper and lower blade guards of accumulated sawdust as discussed in the Maintenance section. Such efforts do not replace the need to check lower guard operation before each use.

## For tool with the inner flange for other than 15.88 mm hole-diameter saw blade

### ⚠ CAUTION:

- **Make sure that the protrusion "a" on the inner flange that is positioned outside fits into the saw blade hole "a" perfectly.** Mounting the blade on the wrong side can result in the dangerous vibration.

#### ► Fig.20: 1. Mounting shaft 2. Inner flange 3. Saw blade 4. Outer flange 5. Hex bolt

The inner flange has a certain diameter protrusion on one side of it and a different diameter protrusion on the other side. Choose a correct side on which protrusion fits into the saw blade hole perfectly. Next, mount the inner flange onto the mounting shaft so that the correct side of protrusion on the inner flange faces outward and then place saw blade and outer flange. **BE SURE TO TIGHTEN THE HEX BOLT COUNTERCLOCKWISE SECURELY.**

## For tool with the inner flange for a 15.88 mm hole-diameter saw blade (country specific)

#### ► Fig.21: 1. Mounting shaft 2. Inner flange 3. Saw blade 4. Outer flange 5. Hex bolt

#### ► Fig.22: 1. Mounting shaft 2. Inner flange 3. Saw blade 4. Outer flange 5. Hex bolt 6. Ring

Mount the inner flange with its recessed side facing outward onto the mounting shaft and then place saw blade (with the ring attached if needed), outer flange and hex bolt. **BE SURE TO TIGHTEN THE HEX BOLT COUNTERCLOCKWISE SECURELY.**

### ⚠ WARNING:

- **Before mounting the blade onto the spindle, always be sure that the correct ring for the blade's arbor hole you intend to use is installed between the inner and the outer flanges.** Use of the incorrect arbor hole ring may result in the improper mounting of the blade causing blade movement and severe vibration resulting in possible loss of control during operation and in serious personal injury.

## Hex wrench storage

► **Fig.23:** 1. Hex wrench

When not in use, store the hex wrench as shown in the figure to keep it from being lost.

## Connecting a vacuum cleaner

*(Optional accessory in some countries)*

► **Fig.24:** 1. Dust nozzle 2. Screw 3. Lever

► **Fig.25:** 1. Vacuum cleaner 2. Hose

When you wish to perform clean cutting operation, connect a Makita vacuum cleaner to your tool. Install the dust nozzle on the tool using the screw. Then connect a hose of the vacuum cleaner to the dust nozzle as shown in the figure.

For tool without dust nozzle provided as a standard equipment, replace the lever fixed on the lower guard to the one supplied with the dust nozzle (optional accessory) at the same time when installing the dust nozzle. Otherwise you will not be able to make a cut because the lower guard movement is hindered by the dust nozzle.

## OPERATION

**⚠ CAUTION:**

- Be sure to move the tool forward in a straight line gently. Forcing or twisting the tool will result in overheating the motor and dangerous kickback, possibly causing severe injury.
- Always use a front grip and rear handle and firmly hold the tool by both front grip and rear handle during operations.

► **Fig.26**

Hold the tool firmly. The tool is provided with both a front grip and rear handle. Use both to best grasp the tool. If both hands are holding saw, they cannot be cut by the blade. Set the base on the workpiece to be cut without the blade making any contact. Then turn the tool on and wait until the blade attains full speed. Now simply move the tool forward over the workpiece surface, keeping it flat and advancing smoothly until the sawing is completed.

To get clean cuts, keep your sawing line straight and your speed of advance uniform. If the cut fails to properly follow your intended cut line, do not attempt to turn or force the tool back to the cut line. Doing so may bind the blade and lead to dangerous kickback and possible serious injury. Release switch, wait for blade to stop and then withdraw tool. Realign tool on new cut line, and start cut again. Attempt to avoid positioning which exposes operator to chips and wood dust being ejected from saw. Use eye protection to help avoid injury.

## Rip fence (Guide rule) (optional accessory)

► **Fig.27:** 1. Clamping screw 2. Rip fence (Guide rule)

The handy rip fence allows you to do extra-accurate straight cuts. Simply slide the rip fence up snugly against the side of the workpiece and secure it in position with the clamping screw on the front of the base. It also makes repeated cuts of uniform width possible.

## MAINTENANCE

**⚠ CAUTION:**

- Always be sure that the tool is switched off and the battery cartridge is removed before carrying out any work on the tool.
- **Clean out the upper and lower guards to ensure there is no accumulated sawdust which may impede the operation of the lower guarding system.** A dirty guarding system may limit the proper operation which could result in serious personal injury. The most effective way to accomplish this cleaning is with compressed air. **If the dust is being blown out of the guards be sure the proper eye and breathing protection is used.**
- Never use gasoline, benzine, thinner, alcohol or the like. Discoloration, deformation or cracks may result.

## Adjusting for accuracy of 0° and 45° cut (vertical and 45° cut)

► **Fig.28:** 1. Adjusting screw for 45° 2. Adjusting screw for 0°

► **Fig.29:** 1. Triangular rule

This adjustment has been made at the factory. But if it is off, adjust the adjusting screws with a hex wrench while inspecting 0° or 45° the blade with the base using a triangular rule or square rule, etc. Use the 45° stopper for adjusting 45° angle.

## Adjusting bevel guide

► **Fig.30:** 1. Bevel guide 2. Screw 3. Guide

The bevel guide has been factory adjusted. But if it is off, you can adjust it as the following procedure. To adjust the bevel guide, loosen the two screws. Align the 0° line on the bevel guide with the guide on the base when the base is set to 0° angle. To maintain product SAFETY and RELIABILITY, repairs, any other maintenance or adjustment should be performed by Makita Authorized Service Centers, always using Makita replacement parts.

# OPTIONAL ACCESSORIES

## **⚠ CAUTION:**

- These accessories or attachments are recommended for use with your Makita tool specified in this manual. The use of any other accessories or attachments might present a risk of injury to persons. Only use accessory or attachment for its stated purpose.

If you need any assistance for more details regarding these accessories, ask your local Makita Service Center.

- Saw blades
- Rip fence (Guide rule)
- Guide rail
- Guide rail adapter
- Rule bar
- Dust nozzle
- Hex wrench
- Makita genuine battery and charger

## **NOTE:**

- Some items in the list may be included in the tool package as standard accessories. They may differ from country to country.

## SPECIFIKATIONER

Modell		DHS680
Bladdiameter		165 mm
Max. fräsdjup	vid 0°	57 mm
	vid 45°	41 mm
	vid 50°	37 mm
Obelastat varvtal		5 000 min <sup>-1</sup>
Total längd		350 mm
Vikt		3,0 - 3,3 kg
Märkspänning		18 V likström

- På grund av vårt pågående program för forskning och utveckling kan dessa specifikationer ändras utan föregående meddelande.
- Specifikationer kan variera mellan olika länder.
- Vikten kan variera beroende på tillbehören, inklusive batterikassett. Den lättaste och den tyngsta kombinationen enligt EPTA-procedur 01/2014 visas i tabellen.

### Tillgänglig batterikassett och laddare

Batterikassett	BL1815N / BL1820 / BL1820B / BL1830 / BL1830B / BL1840 / BL1840B / BL1850 / BL1850B / BL1860B
Laddare	DC18RC / DC18RD / DC18RE / DC18SD / DC18SE / DC18SF

- Vissa av batterikassetterna och laddarna på listan ovan kanske inte finns tillgängliga i din region.

**⚠ VARNING: Använd endast batterikassetter och laddare från listan ovan.** Användning av andra batterikassetter och laddare kan orsaka personskada och/eller brand.

#### Avsedd användning

Verktöget är avsett för att utföra långsgående och tvärgående raka skär och för geringssågning i trä i god kontakt med arbetsstycket. Med lämpliga sågblad från Makita går det även att såga i andra material.

#### Buller

Typiska A-vägd bullernivån är mätt enligt EN62841:

- Ljudtrycksnivå ( $L_{pA}$ ): 94 dB (A)
- Ljudeffektnivå ( $L_{WA}$ ): 105 dB (A)
- Måttolerans (K): 3 dB (A)

#### Använd hörselskydd

#### Vibration

Vibrationens totalvärde (tre-axlars vektorsumma) mätt enligt EN62841:

- Arbetsläge: sågning i trä
- Vibrationsemission ( $a_{h,W}$ ): 2,5 m/s<sup>2</sup> eller lägre
- Måttolerans (K): 1,5 m/s<sup>2</sup>

**OBS:** Det deklarerade vibrationsemissionsvärdet har uppmätts i enlighet med standardtestmetoden och kan användas för jämförandet av en maskin med en annan.

**OBS:** Det deklarerade vibrationsemissionsvärdet kan också användas i preliminär bedömning av exponering för vibration.

**⚠ VARNING:** Vibrationsemissionen under faktisk användning av maskinen kan skilja sig från det deklarerade emissionsvärdet, beroende på hur maskinen används.

**⚠ VARNING:** Se till att hitta säkerhetsåtgärder som kan skydda användaren och som grundar sig på en uppskattning av exponering i verkligheten (ta med i beräkningen alla delar av användandet såsom antal gånger maskinen är avstängd och när den körs på tomgång samt då startomkopplaren används).

### EG-försäkring om överensstämmelse

#### Gäller endast inom EU

EG-försäkring om överensstämmelse inkluderas som bilaga A till denna bruksanvisning.

### Allmänna säkerhetsvarningar för maskiner

**⚠ VARNING:** Läs alla säkerhetsvarningar, anvisningar, illustrationer och specifikationer som medföljer det här maskinen. Underlåtenhet att följa instruktionerna kan leda till elstöt, brand och/eller allvariga personskador.

# Spara alla varningar och instruktioner för framtida referens.

Termen "maskin" som anges i varningarna hänvisar till din eldrivna maskin (sladdanslut) eller batteridrivna maskin (sladdlös).

## Säkerhetsvarningar för sladdlös cirkelsåg

### Sågningsförfarande

1. **⚠ FARA:** Håll alltid händerna borta från sågningsområdet. Håll den andra handen på det extra handtaget eller motorhuset. Om du håller i sågen med båda händerna kan de inte skadas av klingan.
2. **Sträck dig inte in under arbetsstycket.** Skyddet har ingen skyddsfunktion under arbetsstycket.
3. **Ställ in sågdjupet efter arbetsstyckets tjocklek.** Mindre än en hel sågtand får synas under arbetsstycket.
4. **Håll aldrig arbetsstycket i händerna eller i knäet vid kapning. Fäst arbetsstycket på ett stabilt underlag.** Det är viktigt att arbetsstycket stöds ordentligt för att minimera risken för skador, undvika att klingan fastnar eller att något oväntat inträffar.

### ► Fig.1

5. **Håll maskinen i de isolerade handtagen om det finns risk för att skärverktyget kan komma i kontakt med en dold elkabel eller sin egen kabel.** Om skärverktyget kommer i kontakt med en strömförande ledning blir maskinens metall-delar strömförande och kan ge användaren en elektrisk stöt.
6. **Vid klyvsågning ska alltid ett parallell- eller sidoanslag användas.** Detta förbättrar noggrannheten vid sågningen och minskar risken för att klingan nyper fast.
7. **Använd alltid en sågklinga med rätt storlek och form (diamant respektive rund) på styrhålen.** Klingor som inte passar monteringsfästet i sågen löper ojämnt, vilket ger en okontrollerbar sågning.
8. **Använd aldrig en klingbricka eller bult som på något sätt är felaktig eller skadad.** Klingbrickorna och bulten är specialtillverkade till sågen för optimal prestanda och säkerhet.

### Orsaker till bakåtkast och relaterade varningar

- Bakåtkast är en plötslig reaktion när ett sågblad kläms, fastnar eller är felinriktat och innebär att sågen kastas upp ur arbetsstycket.
- Om klingan kläms eller fastnar och sågskäret därmed stoppas, driver motorkraften sågen mot användaren i hög hastighet.
- Om klingan böjs eller blir felriktad i sågskäret kan sågtänderna på klingans bakkant gräva sig in på ytan av arbetsstycket, driva klingan ur skäret och kasta sågen bakåt mot användaren.

Bakåtkast beror på ovarsamhet och/eller felaktiga arbetsrutiner och kan undvikas genom att vidta nedanstående förebyggande åtgärder.

1. **Håll sågen stadigt med båda händerna och placera armarna så att de kan ta emot kraften från ett bakåtkast. Stå vid sidan av klingan och aldrig i dess linje.** Vid ett bakåtkast kastas sågen bakåt, men kraften i bakåtkastet kan kontrolleras av användaren om rätt försiktighetsåtgärder vidtas.
2. **Om klingan kläms eller av annan orsak hindras i skäret ska du släppa avtryckaren och hålla sågen stilla i skäret tills klingan har stannat. För att undvika bakåtkast ska du aldrig försöka ta bort sågen från arbetsstycket eller dra sågen bakåt när klingan är i rörelse.** Undersök och åtgärda orsaken till att klingan fastnar.
3. **När sågen startas igen i arbetsstycket ska du centrera sågklingan i skäret och kontrollera att ingen sågtand är i ingrepp i materialet.** Om sågbladet sitter fast i materialet kan sågen klättra upp eller medföra bakåtkast när sågen startas på nytt.
4. **Stötta långa arbetsstycken för att minimera risken för att klingan nyper fast och ger bakåtkast.** Långa arbetsstycken böjs av sin egen tyngd. Placera stöd på båda sidorna, både nära såglinjen och vid kanten på arbetsstycket.

### ► Fig.2

### ► Fig.3

5. **Använd aldrig slöa eller skadade klingor.** En oskarp eller felinställd klinga ger ett trångt sågskär som orsakar onödigt friktion och klingan kan lättare fastna och ge bakåtkast.
6. **Klingdjup och nivåinställda låsspakar måste vara åtdragna och låsta innan sågning.** Om klingans justering skiftar under sågning kan det orsaka att den nyper fast och ger bakåtkast.
7. **Var extra uppmärksam vid sågning i väggar eller andra dolda utrymmen.** Den utskjutande klingan kan säga av föremål som kan orsaka bakåtkast.
8. **Håll ALLTID maskinen stadigt med båda händerna. Placera ALDRIG handen, benet eller någon annan kroppsdel under bottenplattan eller bakom sågen, i synnerhet vid tvärsågning.** Vid eventuella bakåtkast kan sågen lätt kastas bakåt mot handen och orsaka allvarliga skador.

### ► Fig.4

9. **Forcera aldrig sågen. Skjut sågen framåt med en sågningshastighet som låter klingan säga utan att tappa fart.** En såg som forceras ger ojämn skär, är svårare att styra och ger risk för bakåtkast.

### Skyddets funktion

1. **Kontrollera att det nedre skyddet är stängt före varje sågning. Använd inte sågen om det nedre skyddet kärvar och inte stängs omedelbart. Kila aldrig fast eller bind det nedre skyddet i öppet läge.** Om du tappar sågen kan det nedre skyddet böjas. Hög det nedre skyddet med handtaget och se till att det rör sig fritt och inte vidrör klingan eller någon annan del under någon sågvinkel eller något sågdjup.

2. **Kontrollera funktionen hos det nedre skyddets fjäder. Om skyddet eller fjädern inte fungerar på avsett vis ska sågen underhållas innan den används.** Det nedre skyddet kan fungera ojämnt på grund av skadade delar, gummiavlagringar eller andra ansamlingar.
3. **Det nedre skyddet får endast dras tillbaka manuellt inför specialsågningar som "insticks-sågning" och "geringsågning".** Höj det nedre skyddet med hjälp av handtaget och släpp det nedre skyddet så snart klingan går in i materialet. Under alla andra typer av sågning ska det nedre skyddets automatiska funktion användas.
4. **Kontrollera alltid att det nedre skyddet täcker klingan innan du ställer ned sågen på ett arbetsbordet eller på golvet.** En oskyddad klinga som roterar medför att sågen vandrar bakåt och sågar i allt som kommer i dess väg. Tänk på att det tar en stund innan klingan stannar efter att du har släppt avtryckaren.
5. **Kontrollera det nedre skyddet genom att öppna det manuellt och sedan släppa det och observera skyddets stängning. Kontrollera även att handtaget inte vidrör verktygshuset.** Att lämna klingan oskyddad är MYCKET FARLIGT och kan leda till allvarliga personskador.
10. **Använd endast sågklingor med den diameter som finns markerad på maskinen eller angiven i handboken.** Om en klinga med fel storlek används kan det påverka skyddet för klingan eller skyddets funktion vilket kan resultera i allvarlig personskada.
11. **Håll klingan vass och ren.** Gummi- och trärester på klingan hindrar sågningen och ökar risken för bakåtkast. Ta bort klingan från sågen och gör rent den med ett borttagningsmedel för gummi- och trärester, varmt vatten och fotogen. Använd aldrig bensin.
12. **Använd alltid andningsmask och hörselskydd när du arbetar med verktyget.**
13. **Använd alltid ett sågblad som är avsett för att skära i det avsedda materialet.**
14. **Använd endast sågblad som är märkta med ett maximalt varvstal som är lika med eller högre än varvtalet som är märkt på maskinen.**
15. **(endast för länder i Europa)**  
Använd alltid blad som överensstämmer med EN847-1.

## SPARA DESSA ANVISNINGAR.

**⚠️ VARNING: GLÖM INTE** att också fortsättningsvis strikt följa säkerhetsanvisningarna för maskinen även efter att du blivit van att använda den. Vid **FELAKTIG HANTERING** av maskinen eller om inte säkerhetsanvisningarna i denna bruksanvisning följs kan följden bli allvarliga personskador.

### Ytterligare säkerhetsvarningar

1. **Var extra försiktig vid sågning i fuktigt, tryckbehandlat och kvistigt trä.** Bibehåll mjuk rörelse framåt med maskinen, utan att klingans hastighet minskar, för att undvika överhettning av klingspetsarna.
  2. **Ta aldrig bort sågat material medan klingan rör sig. Vänta tills klingan har stannat innan du tar bort det sågade materialet.** Klingan stannar inte omedelbart när maskinen stängs av.
  3. **Undvik att såga i spik. Kontrollera arbetstycket och ta bort alla spikar innan du börjar såga.**
  4. **Placera större delen av sågbordet på den del av arbetstycket som har ett fast stöd och inte på den del som ska sågas bort. Kläm fast arbetstycken som är små eller korta. FÖRSÖK INTE ATT HÅLLA SMÅ ARBETSSTYCKEN I HANDEN!**
- Fig.5
5. **Kontrollera att skyddet är stängt och att klingan har stannat innan du ställer ifrån dig sågen.**
  6. **Använd aldrig cirkelsågen upp-och-nedvänd i ett skruvståd. Det är extremt farligt och kan leda till allvarliga olyckor.**
- Fig.6
7. **Vissa material kan innehålla giftiga kemikalier. Se till att du inte andas in damm eller får det på huden. Följ anvisningarna i leverantörens materialsäkerhetsblad.**
  8. **Försök inte stoppa klingorna genom att trycka på dem.**
  9. **Använd inte några slipskivor.**

## Viktiga säkerhetsanvisningar för batterikassetten

1. **Innan batterikassetten används ska alla instruktioner och varningsmärken på (1) batteriladdaren, (2) batteriet och (3) produkten läsas.**
2. **Montera inte isär batterikassetten.**
3. **Om drifttiden blivit avsevärt kortare ska användningen avbrytas omedelbart. Det kan uppstå överhettning, brännskador och t o m en explosion.**
4. **Om du får elektrolyt i ögonen ska de sköljas med rent vatten och läkare uppsöks omedelbart. Det finns risk för att synen förloras.**
5. **Kortslut inte batterikassetten.**
  - (1) Rör inte vid polerna med något strömförande material.
  - (2) Undvik att förvara batterikassetten tillsammans med andra metallobjekt som t.ex. spikar, mynt o.s.v.
  - (3) Skydda batteriet mot vatten och regn. En batterikortslutning kan orsaka ett stort strömflöde, överhettning, brand och maskinhaveri.
6. **Förvara inte maskinen och batterikassetten på platser där temperaturen kan nå eller överstiga 50 °C.**
7. **Bränn inte upp batterikassetten även om den är svårt skadad eller helt utsliten. Batterikassetten kan explodera i öppen eld.**



8. **Var försiktig så att du inte råkar tappa batteriet och utsätt det inte för stötar.**
9. **Använd inte ett skadat batteri.**
10. **De medföljande litiumjonbatterierna är föremål för kraven i gällande lagstiftning för farligt gods.**  
För kommersiella transporter (av t.ex. tredje parter som speditionsfirmor) måste de särskilda transportkrav som anges på emballaget och etiketter iakttagas.  
För att förbereda den produkt som ska avsändas krävs att du konsulterar en expert på riskmaterial. Var också uppmärksam på att det i ditt land kan finnas ytterligare föreskrifter att följa.  
Tejpa över eller maskera blottade kontakter och packa batteriet på sådant sätt att det inte kan röra sig fritt i förpackningen.
11. **Följ lokala föreskrifter beträffande avfallshandling av batterier.**
12. **Använd endast batterierna med de produkter som specificerats av Makita.** Att använda batterierna med ej godkända produkter kan leda till brand, överdriven värme, explosion eller utläckande elektrolyt.

## SPARA DESSA ANVISNINGAR.

**⚠ FÖRSIKTIGT:** Använda endast äkta Makita-batterier. Användning av oäkta Makita-batterier eller batterier som har manipulerats kan leda till person- och utrustningsskador eller till att batteriet fattar eld. Det upphäver också Makitas garanti för verktyget och laddaren.

## Tips för att uppnå batteriets maximala livslängd

1. **Ladda batterikassetten innan den är helt urladdad. Stanna alltid maskinen och ladda batterikassetten när du märker att maskinen blir svagare.**
2. **Ladda aldrig en fulladdad batterikasset. Överladdning förkortar batteriets livslängd.**
3. **Ladda batterikassetten vid en rumstemperatur på 10 °C - 40 °C. Låt en varm batterikasset svalna innan den laddas.**
4. **Ladda batterikassetten om du inte har använt den på länge (mer än sex månader).**

## FUNKTIONSBSKRIVNING

### ⚠ FÖRSIKTIGT:

- Se alltid till att maskinen är avstängd och batterikassetten borttagen innan du justerar eller kontrollerar maskinens funktioner.

## Montera eller demontera batterikassetten

► **Fig.7:** 1. Knapp 2. Röd indikator 3. Batterikasset

### ⚠ FÖRSIKTIGT:

- Stäng alltid av maskinen innan du monterar eller tar bort batterikassetten.
- **Håll stadigt i maskinen och batterikassetten när du installerar eller tar bort batterikassetten.** Om du inte håller stadigt i maskinen och batterikassetten kan de halka ur dina händer och skadas samt orsaka personskada.

Ta bort batterikassetten genom att skjuta ner knappen på kassetens framsida samtidigt som du drar ut batterikassetten.

Sätt i batterikassetten genom att rikta in tungan på batterikassetten mot spåret i höljet och skjut den på plats. Tryck in batterikassetten ordentligt tills den låser fast med ett klick. Om du kan se den röda indikatorn på knappens ovansida är batterikassetten inte låst ordentligt.

### ⚠ FÖRSIKTIGT:

- Sätt alltid i batterikassetten helt tills den röda indikatorn inte längre syns. I annat fall kan den oväntat falla ur maskinen och skada dig eller någon annan.
- Montera inte batterikassetten med våld. Om kassetten inte lätt glider på plats är den felinsatt.

### OBS:

- När batterikassetten inte går lätt att ta bort ska du trycka på den från knappens motsatta sida och skjuta på den.

## Indikerar kvarvarande batterikapacitet

**Endast för batterikassetter med indikator**

► **Fig.8:** 1. Indikatorlampor 2. Kontrollknapp

Tryck på kontrollknappen på batterikassetten för att se kvarvarande batterikapacitet. Indikatorlamporna lyser i ett par sekunder.

Indikatorlampor			Kvarvarande kapacitet
Upplyst	Av	Blinkar	
■	□	▬	75% till 100%
■	■	■	
■	■	□	
■	□	□	
■	■	□	50% till 75%
■	■	□	25% till 50%
■	□	□	0% till 25%
▬	□	□	Ladda batteriet.
▬	■	■	Batteriet kan ha skadats.
□	□	■	

**OBS:** Beroende på användningsförhållanden och den omgivande temperaturen kan indikationen skilja sig lätt från den faktiska batterikapaciteten.

## Avtryckarens funktion

### ⚠ FÖRSIKTIGT:

- Innan du monterar batterikassetten i maskinen ska du alltid kontrollera att avtryckaren fungerar och återgår till läget "OFF" när du släpper den.
- Tryck inte in avtryckaren utan att ha tryckt in säkerhetsspärren. Det kan skada avtryckaren.

#### ► Fig.9: 1. Avtryckarknapp 2. Startspärr

Säkerhetsspärrens funktion är att förhindra att avtryckaren oavsiktligt trycks in. Tryck in säkerhetsspärren och tryck sedan in avtryckaren för att starta maskinen. Släpp avtryckaren för att stoppa maskinen.

### ⚠ VARNING:

- Detta verktyg är utrustat med en säkerhetsspärr som förhindrar oavsiktlig start. Använd ALDRIG maskinen om den startar när du trycker på avtryckaren utan att ha tryckt in säkerhetsspärren. Returnera maskinen till ett MAKITA servicecenter för reparation INNAN du fortsätter att använda den.
- Sätt ALDRIG säkerhetsspärren ur funktion genom att t ex tejpa över den.

## Indikerar kvarvarande batterikapacitet

### Landsspecifikt

#### ► Fig.10: 1. Batteriindikator

När maskinen startas visar batteriindikatorn kvarvarande batterikapacitet.

Den kvarvarande batterikapaciteten visas i följande tabell.

Batteriindikator, status	Återstående batterikapacitet
■:ON □:OFF ▬:Blinkar	
	50 % - 100 %
	20 % - 50 %
	0 % - 20 %
	Ladda batteriet

## Funktion för automatisk ändring av hastighet

#### ► Fig.11: 1. Lägesindikator

Lägesindikator, status	Driftläge
	Höghastighetsläge
	Läge för högt vridmoment

Maskinen har ett höghastighetsläge och ett läge för högt vridmoment. Den ändrar automatiskt driftläge beroende på arbetsbelastningen. När lägesindikatorn tänds under drift är maskinen i läget för högt vridmoment.

## Skyddssystem för maskinen/ batteriet

Maskinen är utrustad med ett maskin-/batteriskyddssystem. Detta system bryter automatiskt strömmen till motor för att förlänga maskinens och batteriets livslängd.

Maskinen stoppar automatiskt under användning om maskinen eller batteriet hamnar i en av följande situationer. Indikatorn tänds i vissa situationer.

## Överlastskydd

När maskinen används på ett sätt som får den att dra en onormalt hög ström, stoppar maskinen automatiskt utan några indikeringar. Stäng då av maskinen och stoppa handlingen som orsakar att maskinen blir överbelastad. Starta därefter maskinen för att starta om.

## Överhettningsskydd för maskinen

När maskinen är överhettad stoppar den automatiskt och batteriindikatorn visar följande. Låt då maskinen svalna innan du startar den igen.

Batteriindikator	:ON	:OFF	:Blinkar
	Maskinen är överhettad		

## Frigör skyddslåset

När skyddssystemet aktiveras flera gånger låses maskinen och batteriindikatorn visar följande status.

Batteriindikator	:ON	:OFF	:Blinkar
	Skyddslås är aktiverat		

I denna situation startar inte maskinen även om den slås av och på. För att frigöra skyddslåset tar du bort batteriet, placerar det i batteriladdaren och väntar tills laddningen är klar.

## Inställning av hyvlingdjup

### ⚠ FÖRSIKTIGT:

- Dra alltid åt spärren ordentligt efter att skärdjupet justerats.

### ► Fig.12: 1. Spak 2. Djupanslag

Lossa spärren på sidan av det bakre handtaget och flytta sågbordet uppåt eller nedåt. Fäst sågbordet med spärren när du har ställt in sågdjupet. Bästa sågresultat och säkraste sågning erhålls om sågdjupet ställs in så att endast en sågtand syns på arbetsstyckets undersida. Rätt inställning av sågdjupet bidrar till att minska risken för BAKÅTKAST som kan medföra allvarliga personskador.

## Vinkelsågning

### ► Fig.13: 1. Främre spärr

Lossa den främre spärren. Ställ in önskad vinkel (0°–50°) genom att luta maskinen i motsvarande mån och dra sedan åt den främre spärren.

### ► Fig.14: 1. Stoppanordning

Använd stoppet vid 45° för att få exakt 45° vinkel. Vrid stoppet helt moturs för vinkelsågning 0°–45° och medurs för vinkelsågning 0°–50°.

## Inriktning

### ► Fig.15: 1. Säglinje (0°läge) 2. Säglinje (45°läge) 3. Skruv

För rak sågning ska 0° läge framtill på sågbordet riktas in med din såglinje. För 45° vinkelsågning används 45° läge. Läget för det övre anslaget är justerbart.

## Tända lampan

### ⚠ FÖRSIKTIGT:

- Titta inte direkt i lampan eller direkt i ljuskällan.

### ► Fig.16: 1. Lampa

Om du bara vill tända lampan trycker du i avtryckaren utan att trycka in säkerhetsspärren. Om du både vill tända lampan och använda maskinen trycker du in säkerhetsspärren och därefter avtryckaren medan du håller säkerhetsspärren intryckt. Lampan lyser medan du håller in avtryckaren. Lampan slocknar 10–15 sekunder efter att du har släppt avtryckaren.

### OBS:

- Använd en torr trasa för att torka bort smuts från lampglaset. Var försiktig så att inte lampglaset repas eftersom ljuset då kan bli svagare.
- Använd inte bensin, thinner eller liknande för att rengöra lampan. Sådana ämnen skadar glaset.

## Krok

### ⚠ FÖRSIKTIGT:

- Ta alltid bort batteriet när du hänger upp maskinen med kroken.
- Häng aldrig upp maskinen på hög höjd eller på platser som inte är helt stabila.

### ► Fig.17: 1. Krok 2. Stängt 3. Öppet

Kroken används för att hänga upp maskinen temporärt. När du ska använda kroken vrids du den helt enkelt tills den fastnar i öppet läge. När den inte ska användas den vrids den tills den fastnar i stängt läge.

## MONTERING

### ⚠ FÖRSIKTIGT:

- Se alltid till att maskinen är avstängd och batterikassetten borttagen innan du underhåller maskinen.

## Demontering eller montering av sågklinga

### ⚠ FÖRSIKTIGT:

- Montera klingan med sågtänderna uppåt i maskinens framkant.
- Använd endast medföljande insexnyckel från Makita för att montera eller demontera sågklingan.

### ► Fig.18: 1. Insexnyckel 2. Spindellås 3. Dra fast 4. Lossa

Ta bort klingan genom att trycka på axelbromsen så att klingan inte kan rotera och lossa bulten medurs med insexnyckeln. Ta sedan bort insexbulten, yttre flänsen och klingan.

### ► Fig.19: 1. Innerfläns 2. Sågblad 3. Yttre fläns 4. Sexkantskruv

Montera klingan i omvänd ordning. SE TILL ATT DRA ÅT INSEXBULTEN MEDURS ORDENTLIGT.

När du byter blad, se även till att rengöra de övre och nedre klingskydden från sågdamm så som beskrivs i avsnittet om underhåll. Detta ersätter inte det nödvändiga i att kontrollera att det nedre skyddet fungerar som det ska före varje användning.

## För maskin med en inre fläns som är avsedd för sågblad med en annan än 15,88 mm håldiameter

### **⚠ FÖRSIKTIGT:**

- Se till att den utskjutande delen "a" på den inre flänsen som är placerad utåt passar in perfekt i hålet "a" i sågbladet. Att montera sågbladet på fel sida kan resultera i farliga vibrationer.

► **Fig.20:** 1. Monteringsaxel 2. Innerfläns 3. Sågblad 4. Yttre fläns 5. Sexkantskruv

Den inre flänsen har en utskjutande del med en viss diameter på ena sidan av den och en annan utskjutande del med en viss diameter på den andra sidan. Välj den korrekta sidan där den utskjutande delen passar in perfekt i hålet i sågbladet.

Montera sedan den inre flänsen på monteringsaxeln så att rätt sida av den utskjutande delen på den inre flänsen riktas utåt och sätt sedan sågklingan och den yttre flänsen på plats.

SE TILL ATT DRA ÅT INSEXBULTEN MOTURS ORDENTLIGT.

## För en maskin med en inre fläns som är avsedd för ett sågblad med en håldiameter på 15,88 mm (landsspecifikt)

► **Fig.21:** 1. Monteringsaxel 2. Innerfläns 3. Sågblad 4. Yttre fläns 5. Sexkantskruv

► **Fig.22:** 1. Monteringsaxel 2. Innerfläns 3. Sågblad 4. Yttre fläns 5. Sexkantskruv 6. Ring

Montera den inre flänsen, med dess försänkta sida riktad utåt, på monteringsaxeln och sätt sedan sågklingan (vid behov med ringen monterad), yttre flänsen och insexbulten på plats.

SE TILL ATT DRA ÅT INSEXBULTEN MOTURS ORDENTLIGT.

### **⚠ VARNING:**

- Innan klingan monteras på spindeln, ska du alltid se till att korrekt insatsring för axelhålet på den klinga du ska använda monteras mellan den inre och den yttre flänsen. Om fel ring används för axelhålet kan det resultera i felaktig montering av klingan vilket kan göra att klingan rör sig och orsakar kraftig vibration, vilket kan göra att du förlorar kontrollen under användning med allvarlig personskada som följd.

## Förvaring av insexnyckel

► **Fig.23:** 1. Insexnyckel

Förvara insexnyckeln enligt figuren när den inte används så att du alltid har den till hands.

## Anslutning av en dammsugare

(Valfritt tillbehör i vissa länder)

► **Fig.24:** 1. Dammunestycke 2. Skruv 3. Spak

► **Fig.25:** 1. Dammsugare 2. Slang

Anslut en dammsugare från Makita när du vill ha rent under sågningen.

Montera dammunestycket på maskinen med hjälp av skruven. Anslut sedan dammsugarslangen till munestycket, såsom visas i figuren.

För en maskin som inte har ett dammunestycke som standard, byter du ut spårren som sitter på det nedre skyddet till den som levereras med dammunestycket (valfritt tillbehör) i samband med monteringen av dammunestycket. I annat fall kommer du inte att kunna säga eftersom det nedre skyddets rörelse hindras av dammunestycket.

## ANVÄNDNING

### **⚠ FÖRSIKTIGT:**

- Se till att maskinen förs mjukt längs en rät linje. Om du tvingar eller vrider sågen överhettas motorn och det finns risk för kraftiga bakåtkast som kan medföra allvarliga skador.
- Använd alltid ett främre och ett bakre handtag och håll maskinen stadigt med både det främre och det bakre handtaget under användningen.

► **Fig.26**

Håll maskinen stadigt. Maskinen är försett med handtag både fram och bak. Använd båda handtagen för att hålla maskinen stadigt. Om du håller med båda händerna i sågen kan de inte skadas av klingan. Ställ ned sågbordet på arbetsstycket utan att klingan kommer i kontakt. Starta maskinen och vänta tills klingan uppnått full hastighet. För nu maskinen framåt över arbetsstyckets yta. Håll maskinen plant och fortsatt mjukt framåt tills sågningen är klar.

Hålla rak såglinje och för maskinen med jämn hastighet framåt för att få renast möjliga snittytor. Försök inte att vrida eller tvinga maskinen tillbaka i såglinjen om den avsedda såglinjen inte kan följas. I så fall kan klingan fastna och farliga bakåtkast inträffa med risk för allvarliga skador som följd. Släpp avtryckaren, vänta tills klingan har stannat och ta sedan bort maskinen. Rikta in maskinen längs en ny såglinje och starta sågningen på nytt. Undvik att stå så att du utsätts för spån och damm som kastas ut från sågen. Använd skyddsglasögon för att undvika skador.

## Parallellanslag (anslagssken) (valfritt tillbehör)

- **Fig.27:** 1. Låsskruv 2. Parallellanslag (anslagsskena)

Ett praktiskt parallellanslag underlättar rak sågning. Placera parallellanslaget direkt an mot arbetsstyckets sida och lås fast det med klåmskruven framtill på sågbordet. Parallellanslaget kan också användas när du vill såga flera arbetsstycken med samma bredd.

## UNDERHÅLL

### **FÖRSIKTIGT:**

- Se alltid till att maskinen är avstängd och batterikassetten borttagen innan du underhåller maskinen.
- **Rengör det övre och undre skyddet för att säkerställa att inget sågdamm har samlats som kan hindra användningen av det nedre skyddssystemet.** Ett smutsigt skyddssystem kan begränsa korrekt användning vilket kan resultera i allvarlig personskada. Tryckluft är mest effektivt vid denna rengöring. **Om du blåser ut damm från skyddet ska du se till att ha ordentligt skydd för ögonen och ordentligt andningskydd.**
- Använd inte bensin, thinner, alkohol eller liknande. Missfärgning, deformation eller sprickor kan uppstå.

## Inställning av 0° och 45° vinkel (vertikalsågning och 45° sågning)

- **Fig.28:** 1. Justeringskruv för 45°  
2. Justeringskruv för 0°

- **Fig.29:** 1. Vinkelhake

Denna inställning är fabriksinställd. Om inställningarna har ändrats justerar du inställningskruvarna med insexnyckeln samtidigt som vinkeln 0° eller 45° kontrolleras med en vinkelhake eller vinkellinjal. Använd stoppet vid 45° för att ställa in 45° vinkel.

## Justera inställningen för sågvinkel

- **Fig.30:** 1. Inställning för sågvinkel 2. Skruv  
3. Anslag

Inställningen för sågvinkel har gjorts på fabriken. Men om den har ändrats kan du justera den enligt följande procedur.

För att justera inställningen för sågvinkel lossar du de två skruvarna. Rikta in 0°-linjen på inställningen för sågvinkel med guiden på sågbordet när sågbordet är inställt på en vinkel på 0°.

För att upprätthålla produktens SÄKERHET och TILLFÖRLITLIGHET bör allt underhålls- och justeringsarbete utföras av ett auktoriserat Makita servicecenter och med reservdelar från Makita.

## VALFRIA TILLBEHÖR

### **FÖRSIKTIGT:**

- Dessa tillbehör och tillsatser rekommenderas för användning tillsammans med den Makita-maskin som denna bruksanvisning avser. Om andra tillbehör eller tillsatser används kan det uppstå risk för personskador. Använd endast tillbehören eller tillsatserna för de syften de är avsedda för.

Kontakta ditt lokala Makita servicecenter om du behöver ytterligare information om dessa tillbehör.

- Sågklingor
- Parallellanslag (anslagsskena)
- Styrskena
- Adapter för styrskena
- Sidoanslag
- Dammunstycke
- Insexnyckel
- Makitas originalbatteri och -laddare

### **OBS:**

- Några av tillbehören i listan kan vara inkluderade i maskinpaketet som standardtillbehör. De kan variera mellan olika länder.

## TEKNISKE DATA

Modell		DHS680
Bladdiameter		165 mm
Maks. skjæredybde	ved 0°	57 mm
	ved 45°	41 mm
	ved 50°	37 mm
Hastighet uten belastning		5 000 min <sup>-1</sup>
Total lengde		350 mm
Nettovekt		3,0 - 3,3 kg
Merkespenning		DC 18 V

- På grunn av vårt kontinuerlige forsknings- og utviklingsprogram kan spesifikasjonene som oppgis i dette dokumentet endres uten varsel.
- Spesifikasjonene kan variere fra land til land.
- Vekten kan variere avhengig av tilbehør/tilbehørene, inkludert batteriet. Den letteste og tyngste kombinasjonen, i henhold til EPTA-prosedyre 01/2014, vises i tabellen.

### Passende batteri og lader

Batteriinnsett	BL1815N / BL1820 / BL1820B / BL1830 / BL1830B / BL1840 / BL1840B / BL1850 / BL1850B / BL1860B
Lader	DC18RC / DC18RD / DC18RE / DC18SD / DC18SE / DC18SF

- Noen av batteriene og laderne som er opplistet ovenfor er kanskje ikke tilgjengelige, avhengig av hvor du bor.

**⚠ ADVARSEL:** Bruk kun de batteriene og laderne som er opplistet ovenfor. Bruk av andre batterier og ladere kan føre til personskader og/eller brann.

#### Beregnet bruk

Verktøyet er beregnet på saging av langsgående og tversgående rette snitt og gjæringsnitt med vinkler i tre, mens det er i tett kontakt med arbeidsemnet. Med riktig, originalt sagblad fra Makita kan også andre materialer sages.

#### Støy

Typisk A-vektet lydtryknivå er bestemt i henhold til EN62841:

- Lydtryknivå ( $L_{pA}$ ): 94 dB (A)
- Lyd effektivnivå ( $L_{WA}$ ): 105 dB (A)
- Usikkerhet (K): 3 dB (A)

#### Bruk hørselvern

#### Vibrasjon

Den totale vibrasjonsverdien (triaksial vektorsum) bestemt i henhold til EN62841:

- Arbeidsmåte: Saging av tre
- Genererte vibrasjoner ( $a_{h,w}$ ): 2,5 m/s<sup>2</sup> eller mindre
- Usikkerhet (K): 1,5 m/s<sup>2</sup>

**MERK:** Den angitte verdien for de genererte vibrasjonene er blitt målt i samsvar med standardtestmetoden og kan brukes til å sammenlikne et verktøy med et annet.

**MERK:** Den angitte verdien for de genererte vibrasjonene kan også brukes til en foreløpig vurdering av eksponeringen.

**⚠ ADVARSEL:** De genererte vibrasjonene ved faktisk bruk av elektroverktøyet kan avvike fra den oppgitte vibrasjonsverdien, avhengig av hvordan verktøyet brukes.

**⚠ ADVARSEL:** Vær påpasselig med å finne sikkerhetstiltak som beskytter operatøren, basert på en oppfatning av risiko under faktiske bruksforhold (på bakgrunn av alle sider ved brukssyklusen, som når verktøyet slås av og når det går på tomgang, i tillegg til oppstarten).

### EFs samsvarserklæring

#### Gjelder kun for land i Europa

EFs samsvarserklæring er lagt til som vedlegg A i denne bruksanvisningen.

### Generelle advarsler angående sikkerhet for elektroverktøy

**⚠ ADVARSEL:** Les alle sikkerhetsadvarsler, instruksjoner, illustrasjoner og spesifikasjoner som følger med dette elektroverktøyet. Hvis ikke alle instruksjonene nedenfor følges, kan det forekomme elektrisk støt, brann og/eller alvorlig skade.

# Oppbevar alle advarsler og instruksjoner for senere bruk.

Uttrykket «elektrisk verktøy» i advarslene refererer både til elektriske verktøy (med ledning) tilkoblet strømmettet, og batteridrevne verktøy (uten ledning).

## Sikkerhetsadvarsler for batteridrevet sirkelsag

### Skjæreprosedyrer

1. **FARE:** Hold hendene unna kappeområdet og bladet. Hold den andre hånden på hjelpehåndtaket eller motorhuset. Hvis du holder sagen med begge hendene, risikerer du ikke at de blir skåret av bladet.
2. **Ikke strekk deg under arbeidsstykket.** Bladvernet kan ikke beskytte deg mot bladet under arbeidsemmet.
3. **Juster dybden på kutt til tykkelsen på arbeidsstykket.** Mindre enn en hel sagtann skal være synlig nedenfor arbeidsemmet.
4. **Du må aldri holde arbeidsstykket med hendene eller la det ligge tvers over bena dine når det kuttes. Sikre arbeidsstykket på en stødig plattform.** Det er viktig å støtte arbeidsstykket ordentlig for å gjøre risikoen minst mulig for å få skader, for at bladet skal sette seg fast, eller for at du skal miste kontrollen.

### ► Fig.1

5. **Hold elektroverktøyet i de isolerte gripeflatene når skjæreverktøyet kan komme i kontakt med skjulte ledninger eller sin egen ledning under arbeidet.** Kontakt med en strømførende ledning kan føre til at metalldelene på elektroverktøyet også blir strømførende, og kan gi brukeren elektrisk støt.
6. **Ved kløyving må du alltid bruke et parallellanlegg eller en føring med rett kant.** Dette forbedrer nøyaktigheten av kuttet og reduserer risikoen for at bladet skal sette seg fast.
7. **Det må alltid brukes blader med riktig størrelse og form (diamant eller rund) på akselhullet.** Blader som ikke passer til monteringsmekanismen på sagen vil svive ute av senter og bli umulige å kontrollere.
8. **Bruk aldri mellomleggsskiver til bladet eller en bolt som er skadd eller ikke passer.** Mellomleggsskivene for bladet og boltene er spesielt utformet for sagen, for optimal ytelse og sikker drift.

### Tilbakeslag oppstår og relaterte advarsler

- Tilbakeslag er en plutselig reaksjon på et klemt, festsittende eller feiljustert sagblad, som kan føre til at en sag som ikke holdes godt fast blir løftet opp og ut av arbeidsstykket, og mot operatøren.
- Når bladet kommer i klem eller setter seg fast ved at snittet lukker seg, stopper bladet, og motoren driver enheten hurtig tilbake mot operatøren.
- Hvis bladet blir vridd eller feiljustert i snittet, vil tennene i bakkant av bladet grave seg inn i den øvre kanten av arbeidsemmet, slik at bladet arbeider seg ut av snittet og spretter tilbake mot operatøren.

Tilbakeslag er et resultat av feil bruk av sagen og/eller feilaktige arbeidsprosedyrer eller arbeidsforhold, og kan unngås hvis man tar de rette forholdsregler (se nedenfor).

1. **Hold sagen i et fast grep med begge hender, og hold armene dine slik at de kan motstå kraften fra sagen i tilfelle den slår tilbake mot deg. Posisjoner kroppen på den ene siden av bladet, men ikke på linje med det.** Tilbakeslag kan føre til at sagen hopper bakover. Tilbakeslagene kan imidlertid kontrolleres av brukeren, hvis brukeren tar de rette forholdsreglene.
2. **Når bladet setter seg fast, eller når du av en eller annen grunn vil avbryte sagingen, må du slippe startbryteren og holde sagen i ro i materialet inntil bladet har stoppet helt. Du må aldri forsøke å fjerne sagen fra arbeidsemmet eller å trekke den bakover mens bladet er i bevegelse, da dette kan få sagen til å slå tilbake.** Undersøk hvorfor bladet setter seg fast og sett i verk avhjelpende tiltak.
3. **Når du starter sagen i arbeidsstykket igjen, må du sentrere sagbladet i snittet slik at sagtennene ikke griper inn i materialet.** Hvis et sagblad sitter fast, kan det løfte seg opp eller føre til at sagen slår tilbake mot deg når den startes igjen.
4. **Støtt opp større plater for å redusere risikoen så mye som mulig for at bladet kommer i bek-nip, og for tilbakeslag.** Større plater har en tendens til å bøye seg under sin egen vekt. Støttene må plasseres under platen på begge sider, nær kappelinjen og nær kantene av platen.

### ► Fig.2

### ► Fig.3

5. **Ikke bruk sløve eller ødelagte blad.** Uskarpe eller feilaktig innstilte blad gir trangt snitt, noe som forårsaker kraftig friksjon, får bladet til å sette seg fast og resulterer i at sagen slår tilbake mot operatøren.
6. **Dette kan medføre tilbakeslag (kickback) som kan gi alvorlige personskader.** Bladdybden og låsehendlene for avfasingjusteringen må være strammet og festet før snittet gjøres.
7. **Vær ekstra forsiktig når du sager i eksisterende vegger eller andre områder uten innsyn.** Det fremstikkende bladet kan treffe gjenstander som kan forårsake tilbakeslag.
8. **Hold ALLTID maskinen fast med begge hender. Plasser ALDRI hånden, benet eller noen annen kroppsdelt under maskinfoten eller bak sagen, særlig når du sager på tvers.** Hvis det skjer et tilbakeslag, kan sagen lett komme til å hoppe bakover over hånden din og forårsake alvorlige helseskader.

### ► Fig.4

9. **Bruk aldri makt på sagen. Skyv sagen fremover med en slik hastighet at bladet skjærer uten å miste fart.** Hvis du bruker makt på sagen, kan det gi ujevne snitt, unøyaktighet og muligheter for tilbakeslag.

## Vernfunksjon

1. **Sjekk at det nedre vernet er ordentlig lukket før hver gang maskinen tas i bruk. Ikke begynn å bruke sagen hvis det nedre vernet ikke beveger seg fritt og lukker seg momentant. Det nedre vernet må aldri klemmes fast eller bindes opp i åpen stilling.** Hvis sagen ved et ulykkestilfelle skulle falle ned, kan det nedre vernet bli bøyd. Løft det nedre vernet med hevehendelen og forviss deg om at det beveger seg fritt og ikke berører bladet eller andre deler, uansett snittvinkel eller -dybde.
2. **Kontroller at fjæren til det nedre vernet virker som den skal. Hvis vernet og fjæren ikke fungerer som de skal, må de etterses før bruk.** Det nedre vernet kan gå tregt pga. ødelagte deler, gummiavleiringer eller opphopning av spon.
3. **Det nedre vernet kan trekkes tilbake manuelt bare i forbindelse med spesielle typer snitt, som f.eks. innstikk og kombinasjonssaging.** Hev det nedre vernet ved hjelp av hevehendelen og slipp det så snart bladet går inn i materialet. For all annen saging bør det nedre vernet få lov til å fungere automatisk.
4. **Pass på at det nedre vernet alltid dekker bladet før du setter sagen ned på benken eller gulvet.** Et ubeskyttet, roterende blad vil få sagen til å bevege seg bakover mens bladet kapper alt som kommer i dets vei. Vær oppmerksom på at bladet trenger en viss tid for å stoppe etter at bryteren er sluppet.
5. **Kontroller det nedre vernets funksjon ved å åpne det for hånd, slippe det og kontrollere at det lukkes. Kontroller også at hevehendelen ikke berører verktøyhuset.** Et eksponert blad er SVÆRT FARLIG og kan føre til alvorlig personskade.

## Flere sikkerhetsadvarsler

1. **Vær ekstra forsiktig ved skjæring i fuktig tre, trykkbehandlet tømmer eller tømmer med kvist.** Unngå overoppheting av bladspissene ved å bevege bladet jevnt fremover uten reduksjon i bladshastigheten.
  2. **Ikke forsøk å fjerne kapp mens bladet er i bevegelse. Vent til bladet stopper før du griper det materialet som er kappet.** Bladene roterer fritt etter at maskinen er slått av.
  3. **Unngå å skjære i spiker. Se etter og fjern all spiker fra arbeidsemnet før arbeidet påbegynnes.**
  4. **Sett den bredeste delen av sagfoten på den delen av arbeidsemnet som er godt støttet opp, ikke på den delen som kommer til å falle av når snittet er fullført. Hvis arbeidsemnet er kort eller lite, må det klemmes fast. IKKE FORSØK Å HOLDE KORTE STYKKER MED HÅNDEN!**
- Fig.5
5. **Før du setter verktøyet ned etter å ha fullført et kutt, må du forvisse deg om at vernet er lukket og at bladet har stoppet helt.**
  6. **Forsøk aldri å sage mens sirkelsagen holdes opp ned i en skrustikke. Dette er ekstremt farlig og kan forårsake alvorlige ulykker.**
- Fig.6

7. **Enkelte materialer inneholder kjemikalier som kan være giftige. Treff tiltak for å hindre hudkontakt og innånding av støv. Følg leverandørens sikkerhetsanvisninger.**
8. **Ikke stopp bladene ved å presse sideveis på sagbladet.**
9. **Ikke bruk slipeskiver.**
10. **Bruk bare sagbladet med diameter som er merket på verktøyet eller spesifisert i håndboken.** Bruk av et blad med feil størrelse kan påvirke riktig beskyttelse av bladet eller bruk av bladvernet, som kan resultere i alvorlig personskade.
11. **Hold bladet skarpt og rent.** Harpiks og bek som størkner på bladene reduserer turtallet på sagen og øker risikoen for tilbakeslag. Hold bladet rent ved først å ta det av verktøyet og deretter gjøre det rent med en harpiks- og bekfjerner, varmt vann eller parafin. Du må aldri bruke bensin.
12. **Bruk en støvmaske og hørselsvern når du bruker verktøyet.**
13. **Bruk alltid sagbladet som er beregnet på kutting av materialet som du skal kutte.**
14. **Bruk bare sagbladene som er merket med en hastighet som er lik eller høyere enn hastigheten som er merket på verktøyet.**
15. **(Kun land i Europa.)  
Bruk alltid bladet som overholder EN847-1.**

## TA VARE PÅ DISSE INSTRUKSENE.

**⚠ ADVARSEL:** IKKE LA hensynet til hva som er "behagelig" eller det faktum at du kjenner produktet godt (etter mange gangers bruk) gjøre deg mindre oppmerksom på sikkerhetsreglene for bruken av det aktuelle produktet. Ved MISBRUK eller hvis ikke sikkerhetsreglene i denne bruksanvisningen følges, kan det oppstå alvorlig personskade.

## Viktige sikkerhetsanvisninger for batteriinnsetning

1. **Før du begynner å bruke batteriet, må du lese alle anvisninger og forsiktighetsregler på (1) batteriladeren, (2) batteriet og (3) det produktet batteriet skal brukes i.**
2. **Ikke ta fra hverandre batteriet.**
3. **Hvis driftstiden er blitt vesentlig kortere, må du omgående slutte å bruke maskinen. Hvis ikke kan resultatet bli overoppheting, mulige forbrenninger eller til og med en eksplosjon.**
4. **Hvis du får elektrolytt i øynene, må du skylle dem med store mengder rennende vann og oppsøke lege med én gang. Denne typen uhell kan føre til varig blindhet.**
5. **Ikke kortslett batteriet:**
  - (1) De kan være ekstremt varme og du kan brenne deg.
  - (2) Ikke lagre batteriet i samme beholder som andre metallgjenstander, som for eksempel spiker, mynter osv.
  - (3) Ikke la batteriet komme i kontakt med vann eller regn.



En kortslutning av batteriet kan føre til et kraftig strømstøt, overoppvarming, mulige forbrenninger og til og med til at batteriet går i stykker.

- Ikke lagre maskinen og batteriet på steder hvor temperaturen kan komme opp i eller overskride 50 °C.
- Ikke sett fyr på batteriet, ikke engang om det er sterkt skadet eller helt utslitt. Batteriet kan eksplodere hvis det begynner å brenne.
- Vær forsiktig så du ikke mister batteriet eller utsetter det for slag.
- Ikke bruk batterier som er skadet.
- Lithium-ion-batteriene som medfølger er gjenstand for krav om spesialavfall. For kommersiell transport, f.eks av tredjeparter eller speditører, må spesielle krav om pakking og merking følges. Før varen blir sendt, må du forhøre deg med en ekspert på farlig materiale. Ta også hensyn til muligheten for mer detaljerte nasjonale bestemmelser. Bruk teip eller maskeringsteip for å skjule åpne kontakter og pakk inn batteriet på en slik måte at den ikke kan bevege seg rundt i emballasjen.
- Følg lokale bestemmelser for avhending av batterier.
- Bruk batteriene kun med produkter spesifisert av Makita. Montere batteriene i produkter som ikke er konforme kan føre til brann, overheting eller elektrolyttlekkasje.

## TA VARE PÅ DISSE INSTRUKSENE.

**⚠FORSIKTIG:** Bruk kun originale Makita-batterier. Bruk av batterier som har endret seg, eller som ikke er originale Makita-batterier, kan føre til at batteriet sprekker og forårsaker brann, personskader og andre skader. Det vil også ugyldiggjøre garantien for Makita-verktøyet og -laderen.

## Tips for å opprettholde maksimal batterilevetid

- Lad batteriinnsetsen før den er helt utladet. Stopp alltid driften av verktøyet og lad batteriinnsetsen når du merker at effekten reduseres.
- Lad aldri en batteriinnsets som er fulladet. Overopplading forkorter batteriets levetid.
- Lad batteriet i romtemperatur ved 10 °C - 40 °C. Et varmt batteri må kjøles ned før lading.
- Lad batteriet hvis det ikke har vært brukt på en lang stund (over seks måneder).

## FUNKSJONSBEKRIVELSE

### ⚠FORSIKTIG:

- Forviss deg alltid om at maskinen er slått av og batteriet tatt ut før du justerer maskinen eller kontrollerer dens mekaniske funksjoner.

## Sette inn eller ta ut batteri

► Fig.7: 1. Knapp 2. Rød indikator 3. Batteri

### ⚠FORSIKTIG:

- Slå alltid av verktøyet før du setter inn eller fjerner batteriet.
- Hold godt rundt maskinen og batteriet når du setter inn eller tar ut batteriet.** Hvis du mister ned maskinen eller batteriet, kan dette forårsake personskader eller skader på maskinen/batteriet.

For å ta ut batteriet må du skyve på knappen foran på batteriet og trekke det ut.

Når du skal sette inn batteriet, må du plassere tungen på batteriet på linje med sporet i huset og skyve batteriet på plass. Skyv det helt inn til det går i inngrep med et lite klikk. Hvis du kan se den røde anviseren på oversiden av knappen, er det ikke gått skikkelig i lås.

### ⚠FORSIKTIG:

- Batteriet må alltid settes helt inn, så langt at den røde anviseren ikke lenger er synlig. Hvis du ikke gjør dette, kan batteriet falle ut av maskinen og skade deg eller andre som oppholder seg i nærheten.
- Ikke bruk makt når du setter i batteriet. Hvis batteriet ikke gliir lett inn, er det fordi det ikke settes inn på riktig måte.

### MERK:

- Skyv fra motsatt side av knappen når det er vanskelig å fjerne batteriet.

## Indikere gjenværende batterikapasitet

*Kun for batterier med indikatoren*

► Fig.8: 1. Indikatorlamper 2. Kontrollknapp

Trykk på sjekk-knappen på batteriet for vise gjenværende batterikapasitet. Indikatorlampene lyser i et par sekunder.

Indikatorlamper			Gjenværende batterinivå
Tent	Av	Blinker	
			75 % til 100 %
			50 % til 75 %
			25 % til 50 %
			0 % til 25 %
			Lad batteriet.
			Batteriet kan ha en feil.

**MERK:** Det angitte nivået kan avvike noe fra den faktiske kapasiteten alt etter bruksforholdene og den omgivende temperaturen.

## Bryterfunksjon

### ⚠FORSIKTIG:

- Før du setter batteriet inn i maskinen, må du alltid kontrollere om startbryteren aktiverer maskinen på riktig måte og går tilbake til "AV"-stilling når den slippes.
- Ikke trykk hardt på startbryteren uten å trykke på AV-sperrehendelen. Dette kan få bryteren til å brekke.

► Fig.9: 1. Startbryter 2. AV-sperrehendel

For å unngå at startbryteren trykkes inn ved en feiltakelse, er maskinen utstyrt med en AV-sperrehendel. For å starte maskinen må du trykke på AV-sperreknappen og trykke inn startbryteren. Slipp startbryteren for å stoppe verktøyet.

### ⚠ADVARSEL:

- Av hensyn til din sikkerhet er denne maskinen utstyrt med en AV-sperrehendel som forhindrer utilsiktet start av maskinen. Maskinen må ALDRI brukes hvis den starter når du trykker på startbryteren uten at du også må trykke på AV-sperrehendelen. Returner maskinen til et Makita-servicenter for å få den reparert FØR videre bruk.
- AV-sperrehendelen må ALDRI holdes inne med tape, og den må ALDRI settes ut av funksjon.

## Indikerer gjenværende batterikapasitet

### Landsspesifikk

► Fig.10: 1. Batterianviser

Når du slår på verktøyet, viser batteriindikatoren den gjenværende batterikapasiteten. Gjenværende batterikapasitet vises i form av tabellen nedenfor.

Batteriindikatorstatus	Gjenværende batterikapasitet
:ON :OFF :Blinker	
	50 % - 100 %
	20 % - 50 %
	0 % - 20 %
	Lad batteriet

## Funksjon for automatisk hastighetsendring

► Fig.11: 1. Modusindikator

Modusindikatorstatus	Driftsmodus
	Høy hastighetsmodus
	Modus for høye dreiemoment

Dette verktøyet har en modus for høy hastighet og en modus for høyt dreiemoment. Verktøyet skifter driftsmodus avhengig av arbeidsbelastningen. Når modusindikatoren begynner å lyse under drift, er verktøyet i modus for høyt dreiemoment.

## Batterivernsystem for verktøy/batteri

Verktøyet er utstyrt med et batterivernsystem for verktøy/batteri. Dette systemet slår automatisk av strømmen til motoren for å forlenge verktøyets og batteriets levetid.

Verktøyet stopper automatisk ved drift hvis verktøyet eller batteriet utsettes for en av følgende tilstander: Indikatoren lyser i noen tilfeller.

## Overlastvern

Når verktøyet betjenes på en slik måte at det trekker unormalt mye strøm, stopper verktøyet automatisk uten forvarsel. I dette tilfelle, slå av verktøyet og applikasjonen som forårsaket at verktøyet ble overbelastet. Start deretter verktøyet på nytt.

## Overopphetingsvern for verktøyet

Når verktøyet blir overopphetet, stopper verktøyet automatisk, og batteriindikatoren viser følgende tilstand. Hvis dette skjer, må du la verktøyet kjøle seg ned før du slår det på igjen.

Batterianviser	:ON	:OFF	:Blinker
	Verktøyet er overopphetet		

## Koble ut beskyttelseslåsen

Når beskyttelseslåsen kobles inn gjentatte ganger, låses verktøyet, og batteriindikatoren viser følgende tilstand.

Batterianviser	:ON	:OFF	:Blinker
	Vernelås virker		

Hvis dette skjer, vil ikke verktøyet starte selv om det slås av og på. Beskyttelseslåsen kan kobles ut ved å ta ut batteriet, sette det i batteriladeren og vente til det er ferdig ladet.

## Justere skjæredybden

### **FORSIKTIG:**

- Når du har justert skjæredybden, må du alltid stramme spaken godt.

### ► Fig.12: 1. Spak 2. Dybdeføring

Løsne spaken på siden av det bakre håndtaket og flytt foten opp eller ned. Fest foten ved ønsket skjæredybde ved å stramme spaken.

For renere og sikrere kutt, må du stille inn skjæredybden slik at ikke mer enn én sagtann stikker ut under arbeids-emnet. Hvis skjæredybden er riktig, reduseres risikoen for farlige TILBAKESLAG som kan forårsake helseskader.

## Skråskjæring

### ► Fig.13: 1. Fronthendel

Utløs frontspaken. Still inn den ønskede vinkelen (0° – 50°) ved å vippe på maskinen, og stram deretter front-hendelen forsvarlig.

### ► Fig.14: 1. Stopper

Bruk 45°-stopperen når du skal sage nøyaktige vinkler på 45°. Drei stopperen så langt den går mot urviseren for skråskjæring (0° – 45°) og drei den med urviseren for 0° – 50° skråskjæring.

## Sikting

### ► Fig.15: 1. Skjærelinje (0° posisjon) 2. Skjærelinje (45° posisjon) 3. Skrue

Ved skjæring av rette linjer må 0°-posisjonen foran på foten samstemmes med skjærelinjen på arbeidsemnet. For 45° skråskjæring samstemmes 45°-posisjonen merket med skjærelinjen. Posisjonen til den øverste skinnen kan justeres.

## Tenne lampen

### **FORSIKTIG:**

- Ikke se inn i lampen eller direkte på lyskilden.

### ► Fig.16: 1. Lampe

Hvis du bare skal slå på lampen, må du trekke i startbryteren uten å trykke spaken for sperre-av. For å tenne lampen og slå på verktøyet, trykk inn spaken for sperre-av mens du trekker i startbryteren. Lampen fortsetter å lyse så lenge startbryteren trekkes. Lampen slukkes 10 til 15 sekunder etter at startbryteren er sluppet.

### MERK:

- Bruk en tørr klut til å tørke støv osv. av lampelin-sen. Vær forsiktig så det ikke blir riper i lampe-linsen, da dette kan redusere lysstyrken.
- Bruk aldri bensin, tynner el. til å rengjøre linsen på lampen. Bruk av slike stoffer vil ødelegge linsen.

## Krok

### **FORSIKTIG:**

- Ta alltid ut batteriet når verktøyet henges opp på kroken.
- Maskinen må aldri henges på kroken høyt over bakken eller på en potensielt ustabil overflate.

### ► Fig.17: 1. Bøyle 2. Stenge 3. Åpne

Kroken er praktisk å henge opp verktøyet med for kortere tid. For å bruke kroken, bare vri på den til den klikker i åpen posisjon.

Når kroken ikke er i bruk, dreies den til den klikker på plass i lukket-posisjon.

## MONTERING

### **FORSIKTIG:**

- Forviss deg alltid om at maskinen er slått av og batteriet tatt ut før du utfører noe arbeid på maskinen.

## Demontere eller montere sagbladet

### **FORSIKTIG:**

- Sørg for at bladet monteres med tennene pekende opp foran på verktøyet.
- Bruk bare Makita-nøkkelen til å montere eller fjerne bladet.

### ► Fig.18: 1. Sekskantnøkkel 2. Spindellås 3. Stramme 4. Løsne

For å ta av bladet, må du trykke på spindellåsen så bladet ikke kan rotere, og bruke nøkkelen til å løsne sekskantskruen med klokken. Fjern sekskantskruen, den ytre flensen og bladet.

### ► Fig.19: 1. Indre flens 2. Sagblad 3. Ytre flens 4. Sekskantskrue

Monter bladet ved å følge fremgangsmåten for demontering i motsatt rekkefølge. **PASS PÅ Å STRAMME SEKSKANTSKRUEEN FORSVARLIG MOT KLOKKEN.** Når du skifter blad må du også rengjøre de øverste og nederste bladvernene for akkumulert sagflis som nevnt i avsnittet Vedlikehold. Du må imidlertid fortsatt kontrollere at nedre bladvern virker før hver gangs bruk.

## For verktøy med indre flens for sagblad med en annen hull diameter enn 15,88 mm

### **⚠ FORSIKTIG:**

- **Pass på at fremspringet "a" på den indre flensen som er posisjonert på utsiden passer perfekt i hullet på sagbladet "a".** Hvis bladet monteres på feil side, kan det resultere i farlig vibrasjon.

► **Fig.20:** 1. Festeaksling 2. Indre flens 3. Sagblad 4. Ytre flens 5. Sekskantskrue

Den indre flensen har et visst diameterfremspring på den ene siden og et annet diameterfremspring på den andre siden. Velg den korrekte siden hvor fremspringet passer perfekt i hullet på sagbladet.

Deretter monteres den indre flensen på monteringsakselen slik at den riktige siden av fremspringet på indre flensen vender utover og plasser deretter sagbladet og den ytre flensen.

**PASS PÅ AT DU TREKKER GODT TIL SEKSKANTSKRUEEN MOT URVISEREN.**

## For verktøy med indre flens for sagblad med en hull diameter på 15,88 mm (landsspesifikt)

► **Fig.21:** 1. Festeaksling 2. Indre flens 3. Sagblad 4. Ytre flens 5. Sekskantskrue

► **Fig.22:** 1. Festeaksling 2. Indre flens 3. Sagblad 4. Ytre flens 5. Sekskantskrue 6. Ring

Monter den indre flensen med den nedsenkede siden utover på monteringsakselen og plasser sagbladet, ytre flensen og sekskantskrueen (med ringen satt på om nødvendig).

**SØRG FOR Å TREKKE SEKSKANTSKRUEEN GODT TIL MOT URVISEREN.**

### **⚠ ADVARSEL:**

- **Før du monterer bladet på spindelen, vær alltid sikker på at det er den skiven som passer til bladets spindelåpning du har tenkt å bruke er montert mellom indre og ytre flensen.** Hvis du bruker feil ring i spindelåpningen, kan det resultere i feilmontering av bladet og medføre bladvandring og sterk vibrasjon som resulterer i mulig tap av kontroll under drift, så vel som alvorlig personskade.

## Oppbevare sekskantnøkkel

► **Fig.23:** 1. Sekskantnøkkel

Når sekskantnøkkelen ikke er i bruk, må du oppbevare den som vist i figuren slik at du ikke mister den.

## Koble til støvsuger

*(Valgfritt ekstrastyr i noen land)*

► **Fig.24:** 1. Støvmunnstykke 2. Skruer 3. Spak

► **Fig.25:** 1. Støvsuger 2. Slange

Hvis du vil sage så rent som mulig, kan du koble en Makita-støvsuger til verktøyet ditt.

Monter støvmunnstykket på verktøyet ved hjelp av skruen. Koble deretter støvsugerslangen til støvmunnstykket, som vist på figuren.

For verktøy uten støvmunnstykke som medfølger som standardutstyr, skift ut hendelen som er festet på nedre vern med den som medfølger støvmunnstykket (valgfritt ekstrastyr) samtidig som støvmunnstykket installeres. Ellers vil du ikke være i stand til å foreta et kutt, da bevegelsen av nedre vern hindres av støvmunnstykket.

## BRUK

### **⚠ FORSIKTIG:**

- Sørg for å bevege verktøyet pent fremover i en rett linje. Hvis du bruker makt på eller vrir verktøyet, vil motoren bli overopphetet og maskinet kan slå tilbake mot brukeren. Dette er farlig og kan gi alvorlige personskader.
- Bruk alltid både det fremre og bakre håndtaket og hold verktøyet fast med både det fremre og bakre håndtaket ved bruk.

► **Fig.26**

Hold verktøyet støtt. Verktøyet leveres med håndtak både foran og bak. Bruk begge for å få best mulig tak på verktøyet. Hvis du holder sagen med begge hendene, risikerer du ikke å skjære deg. Sett foten på det arbeidsemnet som skal kappes, uten at bladet kommer borti det. Slå på kutteren og vent til bladet oppnår full hastighet. Nå kan du ganske enkelt bevege sagen over overflaten på arbeidsemnet, holde den flatt og bevege den langsomt forover til sagingen er ferdig. For å få rene kutt, må du sage i rett linje og med jevn hastighet. Hvis kuttet ikke følger skjærelinjen din helt som du ville, må du ikke forsøke å dreie eller tvinge verktøyet tilbake til skjærelinjen. Hvis du gjør det, kan bladet sette seg fast og gi farlig tilbakeslag. Dette kan gi alvorlige personskader. Slipp bryteren, vent til bladet stopper og trekk ut verktøyet. Still inn verktøyet på en ny skjærelinje og begynn sagingen på nytt. Forsøk å unngå en plassering som utsetter deg for en sprut av spon og sagmugg fra sagen. Bruk vernebriller for å redusere risikoen for skader.

## Parallellanlegg (føringslinjal) (valgfritt ekstrautstyr)

- **Fig.27:** 1. Klemeskruer 2. Parallellanlegg (føringslinjal)

Det praktiske parallellanlegget gjør det mulig å skjære ekstra nøyaktige kutt. Skyv ganske enkelt parallellanlegget tett opp til siden av arbeidsemnet og fest det med skruen foran på foten. Med parallellanlegget kan du dessuten skjære gjentatte ganger med samme bredde.

## VEDLIKEHOLD

### **⚠FORSIKTIG:**

- Forviss deg alltid om at maskinen er slått av og batteriet tatt ut før du utfører noe arbeid på maskinen.
- **Rens de øvre og nedre vernene for å sikre at det ikke er akkumulert sagflis som kan svekke funksjonen til det nedre vernesystemet.** Et skittent vernesystem kan begrense riktig bruk, som kan resultere i alvorlig personskade. Den mest effektive måten å oppnå dette på, er rengjøring med trykkluft. **Hvis støvet blåses ut av vernene, pass på at det riktige øye- og åndedrettsvernet brukes.**
- Aldri bruk gasolin, bensin, tynner alkohol eller lignende. Det kan føre til misfarging, deformering eller sprekkdannelse.

## Justere nøyaktigheten av 0° og 45° saging (vertikal og 45° saging)

- **Fig.28:** 1. Justeringskruer for 45°  
2. Justeringskruer for 0°

- **Fig.29:** 1. Trekantlinjal

Denne justeringen er gjort på fabrikken. Men skulle den bli unøyaktig, justeres justeringskruene med en sekskantnøkkel mens du bruker en trekantlinjal eller et vinkeljern for å kontrollere at bladet står i 0° eller 45° vinkel på foten. Bruk 45°-stopperen for å justere 45°-vinkelen.

## Justere avfasingsføringen

- **Fig.30:** 1. Avfasingsføring 2. Skruer 3. Føringslinjal

Avfasingsføringen er fabrikkjustert. Men hvis den er unøyaktig, kan du justere i henhold til følgende prosedyre.

Løsne de to skruene for å justere avfasingsføringen. Innrett 0°-linjen på avfasingsføringen med føringen på foten når foten er satt til 0° vinkel.

For å opprettholde produktets SIKKERHET og PÅLITELIGHET, må reparasjoner, vedlikehold og justeringer utføres av Makitas autoriserte servicesentre, og det må alltid brukes reservedeler fra Makita.

## VALGFRITT TILBEHØR

### **⚠FORSIKTIG:**

- Det anbefales at du bruker dette tilbehøret eller verktøyet sammen med den Makita-maskinen som er spesifisert i denne håndboken. Bruk av annet tilbehør eller verktøy kan forårsake helseskader. Tilbehør og verktøy må kun brukes til det formålet det er beregnet på.

Ta kontakt med ditt lokale Makita-servicesenter hvis du trenger mer informasjon om dette tilbehøret.

- Sagblad
- Parallellanlegg (føringslinjal)
- Føringssskinne
- Føringssskinneadapter
- Linjalstang
- Støvmunnstykke
- Sekskantnøkkel
- Makita originalbatteri og lader

### **MERK:**

- Enkelte elementer i listen kan være inkludert som standardtilbehør i verktøypakken. Elementene kan variere fra land til land.

## TEKNISET TIEDOT

Malli		DHS680
Terän läpimitta		165 mm
Maks. leikkaussyvyys	0° kulmassa	57 mm
	45° kulmassa	41 mm
	50° kulmassa	37 mm
Nopeus kuormittamattomana		5 000 min <sup>-1</sup>
Kokonaispituus		350 mm
Nettopaino		3,0 - 3,3 kg
Nimellisjännite		DC 18 V

- Jatkuvasta tutkimus- ja kehitystyöstämme johtuen esitetyt tekniset tiedot saattavat muuttua ilman erillistä ilmoitusta.
- Tekniset tiedot voivat vaihdella maittain.
- Paino voi olla erilainen lisävarusteista sekä akusta johtuen. EPTA-menettelytavan 01/2014 mukaisesti, taulukossa on kuvattu kevyin ja painavin laiteyhdistelmä.

### Käytettävä akkupaketti ja laturi

Akkupaketti	BL1815N / BL1820 / BL1820B / BL1830 / BL1830B / BL1840 / BL1840B / BL1850 / BL1850B / BL1860B
Laturi	DC18RC / DC18RD / DC18RE / DC18SD / DC18SE / DC18SF

- Tiettyjä yläpuolella kuvattuja akkuja ja latureita ei ehkä ole saatavana asuinalueestasi johtuen.

**VAROITUS:** Käytä vain edellä eriteltyjä akkupaketteja ja latureita. Muiden akkupakettien ja laturien käyttäminen voi aiheuttaa loukkaantumisen ja/tai tulipalon.

#### Käyttötarkoitus

Työkalu on tarkoitettu puun pitkittäis-, poikittais- ja jiiri-sahaukseen siten, että saha on koko ajan välittömässä kosketuksessa työkappaleeseen. Käyttämällä asianmukaisia aitoja Makita-sahanteriä on mahdollista sahata myös muita materiaaleja.

#### Melutaso

Tyypillinen A-painotettu melutaso määräytyy EN62841-standardin mukaan:

Äänenpainetaso ( $L_{pA}$ ): 94 dB (A)

Äänitehotaso ( $L_{WA}$ ): 105 dB (A)

Virhemarginaali (K): 3 dB (A)

**Käytä kuulosuojaimia**

#### Tärinä

Värähtelyn kokonaisarvo (kolmiakselivektorin summa) on määritelty EN62841 mukaan:

Työtöila : puun sahaaminen

Tärinäpäästö ( $a_{n,W}$ ): 2,5 m/s<sup>2</sup> tai vähemmän

Virhemarginaali (K): 1,5 m/s<sup>2</sup>

**HUOMAA:** Ilmoitettu tärinäpäästöarvo on mitattu standarditestaustuotteen mukaisesti, ja sen avulla voidaan vertailla työkaluja keskenään.

**HUOMAA:** Ilmoitettua tärinäpäästöarvoa voidaan käyttää myös altistumisen alustavaan arviointiin.

**VAROITUS:** Työkalun käytön aikana mitattu todellinen tärinäpäästöarvo voi poiketa ilmoitetusta tärinäpäästöarvosta työkalun käyttötavan mukaan.

**VAROITUS:** Selvitä käyttäjän suojaamiseksi tarvittavat varoitimet todellisissa käyttöolosuhteissa tapahtuvan arvioidun altistumisen mukaisesti (ottaen huomioon käyttöjako kokonaisuudessaan, myös jakso, joiden aikana työkalu on sammutettuna tai käy tyhjäkäynnillä).

### EY-vaatimustenmukaisuusvakuutus

#### Koskee vain Euroopan maita

EY-vaatimustenmukaisuusvakuutus on liitetty tähän käyttöoppaaseen.

### Sähkötyökalujen käyttöä koskevat yleiset varoitukset

**VAROITUS:** Tutustu kaikkiin tämän sähkötyökalun mukana toimitettuihin varoituksiin, ohjeisiin, kuviin ja teknisiin tietoihin. Seuraavassa lueteltujen ohjeiden noudattamatta jättäminen saattaa johtaa sähköiskuun, tulipaloon tai vakavaan vammautumiseen.

# Säilytä varoitukset ja ohjeet tulevaa käyttöä varten.

Varoituksissa käytettävällä termillä ”sähkötyökalu” tarkoitetaan joko verkkovirtaa käyttävää (johdollista) työkalua tai akkukäyttöistä (johdotonta) työkalua.

## Akkukäyttöisen pyörösahan turvallisuusohjeet

### Sahausohjeet

- VAARA:** Pidä kädet loitolla sahauslinjalta ja terästä. Pidä toista kättä apukahvalla tai moottorin kotelon päällä. Jos pidät kiinni sahasta molemmin käsin, terä ei voi vahingoittaa käsiä.
- Älä korota työkappaleen alapuolelle.** Suojus ei suojaa terältä työkappaleen alapuolella.
- Säädä leikkaussyvyys työkappaleen paksuuden mukaan.** Pienempi osa kuin terän täysi hammas tulee olla näkyvillä työkappaleen alapuolella.
- Älä koskaan pidä työkappaletta käsissäsi tai jalkojesi välissä leikkaamisen aikana.** Kiinnitä työkappale tukevaan jalustaan. On tärkeää, että työkappale tuetaan luotettavasti loukkaantumisriskin, terän juuttumisen ja laitteen hallinnan menettämisen välttämiseksi.

### ► Kuva1

- Pidä sähkötyökalusta kiinni sen eristetyistä tartuntapinnoista suoritettaessa toimintoja, missä terä voi osua piilossa oleviin johtoihin tai työkalun omaan virtajohtoon.** Jos sähkötyökalun metalliosa joutuu kosketukseen jännitteellisen virtajohtojen kanssa, työkalun sähköä johtavat metalliosat voivat aiheuttaa käyttäjälle sähköiskun.
- Käytä halkaisuun aina halkaisu- tai sivuohjainta.** Se parantaa sahaustarkkuutta ja vähentää terän juuttumista.
- Käytä aina oikeankokoisia ja -muotoisia teriä (timantti vs. pyöreä).** Terät, jotka eivät sovi työkalun kiinnityslaitteisiin, pyörivät epäkeskeisesti ja aiheuttavat sahan ohjauksen menetyksen.
- Älä koskaan käytä viallisia tai vääriä terän aluslevyjä tai pultteja.** Terän aluslaatat ja pultit on suunniteltu erityisesti tälle sahalle ja takaavat parhaan suorituskyvyn ja turvallisuuden.

### Takapotku ja siihen liittyvät varoitukset

- takapotku on äkillinen reaktio, jonka aiheuttaa kiinni juuttunut, vääntynyt tai väärien kohdistettu terä, joka saa sahan hypähtämään irti työkappaleesta käyttäjää kohti;
- jos terä juuttuu tai jumittuu tiukkaan sahausuraan, terä pysähtyy ja moottorin suojaus kääntää sen pyörimissuunnan nopeasti taaksepäin käyttäjää kohti;
- jos terä vääntyy tai sen kohdistus muuttuu sahaustaessa, terän takaosan hampaat voivat pureutua puun pintakerrokseen, jolloin terä nousee ylös urasta ja saha ponnahtaa käyttäjään kohti.

Takapotku johtuu sahan virheellisestä käytöstä ja/tai vääristä käyttöolosuhteista. Takapotku voidaan välttää noudattamalla seuraavia varotoimia.

- Ota sahasta tukeva ote molemmin käsin ja pidä käsiä sellaisessa asennossa, että voit ottaa vastaan mahdollisen takapotkun aiheuttamat voimat.** Sijoita vartalo jommallekummalle puolelle terää, mutta ei terän suuntaisesti. Takapotku voi aiheuttaa sahan ponnahtamisen taaksepäin, mutta käyttäjä voi hallita sen voimat, jos takapotkuun varaudutaan asianmukaisin varotoimin.
- Jos terä jumittaa tai jos keskeytät leikkaamisen jostakin muusta syystä, vapauta liipaisin-tytkin ja pidä saha paikoillaan työkappaleessa, kunnes terä on täysin pysähtynyt.** Älä koskaan yritä poistaa sahaa työkappaleesta tai vetää sahaa taaksepäin, kun terä liikkuu tai seurausena voi olla takapotku. Tutki ja korjaa mahdolliset syyt, jotka aiheuttavat terän jumittumisen.
- Kun saha käynnistetään uudelleen työkappaleessa, keskitä sahanterä sahausuraan ja tarkista, että sahan hampaat eivät ole kiinni materiaalissa.** Jos terä on jumissa, se saattaa hypähtää työkappaleesta tai aiheuttaa takapotkun käynnistettäessä sahaa uudelleen.
- Tue suuria paneeleja, jotta minimoit terien jumittumisen ja takapotkujen riskin.** Suurilla paneeleilla on tapana taipua oman painonsa vaikutuksesta. Levy on tuettava molemmilta puolilta sahauslinjan vierestä ja reunoilta.

### ► Kuva2

### ► Kuva3

- Älä käytä tylsiä tai vioittuneita teriä.** Tylsät tai vääriin asetetut terät tekevät kapean sahausuran, josta on seurauksena ylimääräistä kitkaa, terän taipuminen ja takapotku.
- Terän syvyys ja viisteen säädön lukitusvivut on oltava tiukalla ennen leikkauksen suoritusta.** Jos terän asetus siirtyy leikkauksen aikana, seurauksena voi olla terän jumittuminen ja takapotku.
- Ole erityisen varovainen, kun sahaat umpinaisia seinäpintoja tai jos et muuten näe sahatavaa kohdetta.** Läpitukeutuva terä voi leikata kohteita, jotka saattavat aiheuttaa takapotkun.
- PIDÄ AINA koneesta tukevasti molemmin käsin. ÄLÄ KOSKAAN pidä kättä, jalkaa tai muuta ruumiinosaa työkalun pohjan alapuolella tai sahan taakse, varsinkin katkaisussa.** Jos saha potkaisee taakse, se voi helposti ponnahtaa käsille ja aiheuttaa vakavia vammoja.

### ► Kuva4

- Älä koskaan sahaa väkisin. Työnnä sahaa eteenpäin sellaisella nopeudella, että terä leikkaa hidastumatta.** Sahan pakottaminen voi aiheuttaa epätasaista leikkauksjälkeä, tarkkuuden vähenemistä ja mahdollisesti takapotkun.

### Suojuksen toiminta

- Varmista alasuojuksen sulkeutuminen ennen jokaista käyttökertaa. Älä käytä sahaa, jos alasuojus ei liiku vapaasti ja sulkeudu heti. Älä koskaan sido alasuojusta auki-asentoon.** Jos saha putoaa vahingossa, alasuojus voi taittua. Nosta alasuojusta sisään vedettävästä kahvasta ja varmista, että suojus liikkuu vapaasti eikä kosketa terää tai muita osia missään leikkaukskulmassa tai -syvyudessa.

2. **Tarkista alasuojuksen jousen toiminta. Jos suojuus ja jousi eivät toimi oikein, ne tulee huoltaa ennen käyttöä.** Alasuojus saattaa toimia hitaasti johtuen voittuneista osista, tahmeasta karstasta tai jäännösten kasautumisesta.
3. **Alasuojus voidaan vetää taakse käsin vain silloin, kun sahataan umpinaisia pintoja.** Nosta alasuojus vedettävästä kahvasta ja heti, kun terä leikkaa materiaalin, alasuojus tulee vapauttaa. Kaikessa muussa sahuuksessa alasuojuksen tulee antaa toimia automaattisesti.
4. **Huomioi aina, että alasuojus peittää terän ennen kuin asetat sahan penkille tai lattialle.** Suojaamaton ja vapaasti liukuva terä voi aiheuttaa sahan siirtymisen taaksepäin leikaten mitä sen eteen tulee. Ota huomioon se aika, jonka terän pysähtyminen sahan sammuttamisen jälkeen vaatii.
5. **Voit tarkistaa alasuojuksen avaamalla sen käsin ja sitten vapauttamalla seuraten samalla, miten se sulkeutuu.** Varmista myös, ettei sisään vedettävä kahva osu leikkurin koteloon. Terän jättäminen ilman suojusta on ERITTÄIN VAARALLISTA ja voi johtaa vakaviin vammoihin.

#### Turvallisuuista koskevia lisävaroituksia

1. **Ole erityisen varovainen, jos sahaat kosteaa, painekyllästettyä tai oksaista puuta.** Vältä terän ylikuumenemista säätämällä terän nopeus sellaiseksi, että sahaus etenee sujuvasti terän nopeuden hidastumatta.
2. **Älä yritä poistaa leikattua materiaalia, kun terä on vielä liikkeessä.** Odota, kunnes terä pysähtyy, ennen kuin tartut sahattuun kappaleeseen. Terä pyörii vielä jonkin aikaa sen jälkeen, kun saha on sammutettu.
3. **Vältä naulojen sahaamista.** Tarkista puutavara ja poista kaikki naulat ennen sahausta.
4. **Aseta sahan alustan leveämpi puoli työkalupaleen tuetun osan päälle, älä sahattaessa irtoavan osan päälle.** Jos työkalupale on lyhyt tai pieni, kiinnitä se ruuvipenkkiin. **ÄLÄ YRITÄ PITÄÄ LYHYTTÄ TYÖKAPPALETTA PAIKOILLAAN KÄSIN!**

#### ► Kuva5

5. **Ennen sahan laskemista käsistäsi, varmista, että suojuus on sulkeutunut ja terä on täysin pysähtynyt.**
6. **Älä koskaan yritä leikata sirkkellillä, joka on ylösalaisin viilapenkillä.** Tämä on erittäin vaarallista ja voi johtaa vakaviin vammoihin.

#### ► Kuva6

7. **Jotkin materiaalit sisältävät kemikaaleja, jotka voivat olla myrkyllisiä.** Huolehdi siitä, että pölyn sisäänhengittäminen ja ihokosketus estetään. Noudata materiaalin toimittajan turvaohjeita.
8. **Älä pysäytä teriä painamalla sivusta sahanterää.**
9. **Älä käytä minkäänlaisia hiomalaikkoja.**
10. **Käytä vain sahanterää, joiden halkaisija on sama kuin työkaluun merkitty tai ohjekirjassa mainittu.** Vääränkokoisien terän käyttäminen voi vaikuttaa terän suojaukseen tai itse terän toimivuuteen ja aiheuttaa vakavia vammoja.

11. **Pidä terät terävinä ja puhtaina.** Terään kovetunut pihka hidastaa sahaamista ja lisää takapotkun vaaraa. Pidä terä puhtaana irrottamalla se sahasa ja puhdistamalla pihkanpoistoaineella, kuumalla vedellä tai petrolilla. Älä käytä koskaan puhdistukseen bensiiniä.
12. **Käytä työkalua käyttäessäsi hengitys- ja kuulosuojaimia.**
13. **Käytä aina sahattavalle materiaalille tarkoitettua sahanterää.**
14. **Käytä vain sahanterää, joiden merkitty nopeus on vähintään yhtä suuri ta i suurempi kuin työkaluun merkitty nopeus.**
15. **(Ainoastaan Euroopan valtiot)**  
Käytä aina sahanterää, jotka noudattavat standardin EN847-1 vaatimuksia.

## SÄILYTÄ NÄMÄ OHJEET.

**VAROITUS:** ÄLÄ anna työkalun helppokäyttöisyyden (toistuvan käytön aikaansaama) johtaa sinua väärään turvallisuuden tunteeseen niin, että laiminlyöt työkalun turvaohjeiden noudattamisen. **VÄÄRINKÄYTTÖ** tai tässä käyttöohjeessa ilmoitettujen turvamääräysten laiminlyönti voi aiheuttaa vakavia henkilövahinkoja.

## Akkupakettia koskevia tärkeitä turvaohjeita

1. **Ennen akun käyttöönottoa tutustu kaikkiin laturissa (1), akussa (2) ja akkukäyttöisessä tuotteessa (3) oleviin varoitusteksteihin.**
2. **Älä pura akkua.**
3. **Jos akun toiminta-aika lyhenee merkittävästi, lopeta akun käyttö.** Seurauksena voi olla ylikuumeneminen, palovammoja tai jopa räjähdys.
4. **Jos akkunenstettä pääsee silmiin, huuhtele puhtaalla vedellä ja hakeudu välittömästi lääkärin hoitoon.** Akkunenste voi aiheuttaa näön menetyksen.
5. **Älä oikosulje akkua.**
  - (1) **Älä koske akun napoihin millään sähköä johtavalla materiaalilla.**
  - (2) **Vältä akun oikosulkemista äläkä säilytä akkua yhdessä muiden metalliesineiden, kuten naulojen, kolikoiden ja niin edelleen kanssa.**
  - (3) **Älä aseta akkua alttiiksi vedelle tai sateelle.**
6. **Oikosulku voi aiheuttaa virtapiikin, ylikuumenemista, palovammoja tai laitteen rikkoontumisen.**
7. **Älä säilytä työkalua ja akkua paikassa, jossa lämpötila voi nousta 50 °C:een tai sitäkin korkeammaksi.**
8. **Älä hävitä akkua polttamalla, vaikka se olisi pahoin vaurioitunut tai täysin loppuun kulunut.** Avotuli voi aiheuttaa akun räjähtämisen.
9. **Varo kolhimasta tai pudottamasta akkua.**
9. **Älä käytä viallista akkua.**



10. **Sisältyviä litium-ioni-akkuja koskevat vaarallisten aineiden lainsäädännön vaatimukset.** Esimerkiksi kolmansien osapuolten huolintaliikkeen tulee kaupallisissa kuljetuksissa noudattaa pakkaamista ja merkintöjä koskevia erityisvaatimuksia. Lähetettävän tuotteen valmistelu edellyttää vaarallisten aineiden asiantuntijan neuvontaa. Huomioi myös mahdollisesti yksityiskohtaisemmat kansalliset määräykset. Akun avoimet liittimet tulee suojata teipillä tai suojuksella ja pakkaaminen tulee tehdä niin, ettei akku voi liikkua pakkauksessa.
11. **Hävitä akku paikallisten määräysten mukaisesti.**
12. **Käytä akkuja vain Makitan ilmoittamien tuotteiden kanssa.** Akkujen asentaminen yhteensopimattomiin tuotteisiin voi aiheuttaa tulipalon, liiallisen ylikuumentumisen, räjähdyksen tai akkunestevuotoja.

## SÄILYTÄ NÄMÄ OHJEET.

**HUOMIO:** Käytä vain alkuperäisiä Makita-akkuja. Muiden kuin aitojen Makita-akkujen, tai mahdollisesti muutettujen akkujen käyttö voi johtaa akun murtumiseen ja aiheuttaa tulipaloja, henkilö- ja omaisuusvahinkoja. Se mitätöi myös Makita-työkalun ja -laturin Makita-takuun.

## Vihjeitä akun käyttöiän pidentämiseksi

1. Lataa akku ennen kuin se purkautuu täysin. Lopeta aina työkalun käyttö ja lataa akku, jos huomaat työkalun tehon vähenevän.
2. Älä koskaan lataa uudestaan täysin ladattua akkua. Ylilataaminen lyhentää akun käyttöikää.
3. Lataa akku huoneen lämpötilassa välillä 10 °C - 40 °C. Anna kuumen akun jäähtyä ennen lataamista.
4. Lataa akkupaketti, jos et käytä sitä pitkään aikaan (yli kuusi kuukautta).

## TOIMINTOJEN KUVAUS

### HUOMIO:

- Varmista aina ennen säätöjä ja tarkastuksia, että työkalu on sammutettu ja akku irrotettu.

## Akun asentaminen tai irrottaminen

► **Kuva7:** 1. Painike 2. Punainen ilmaisin 3. Akku

### HUOMIO:

- Sammuta työkalu aina ennen akun kiinnittämistä tai irrottamista.
- **Pidä työkalusta ja akusta tiukasti kiinni, kun irrotat tai kiinnität akkua.** Jos akku tai työkalu putoaa, ne voivat vaurioitua tai aiheuttaa loukkaantumisen.

Irrota akku painamalla akun etupuolella olevaa painiketta ja vetämällä akku ulos työkalusta. Kiinnitä akku sovitamalla akun kieleke rungon uraan ja työntämällä akku sitten paikoilleen. Työnnä akku pohjaan asti niin, että kuulet sen napsahtavan paikoilleen. Jos painikkeen yläpuolella näkyy punainen ilmaisin, akku ei ole lukkiutunut täysin paikoilleen.

### HUOMIO:

- Työnnä akku aina pohjaan asti, niin että punainen ilmaisin ei enää näy. Jos akku ei ole kunnolla paikallaan, se voi pudota työkalusta ja aiheuttaa vammoja joko käyttäjälle tai sivullisille.
- Älä käytä voimaa akun asennuksessa. Jos akku ei mene paikalleen helposti, se on väärässä asennossa.

### HUOMAA:



















- Jos akku ei irtoa helposti, työnnä se ulos painikkeen vastakkaiselta puolelta.

## Akun jäljellä olevan varaustason ilmaisimien

**Vain akkupaketeille ilmaisimella**

► **Kuva8:** 1. Merkkivalot 2. Tarkistuspainike

Painamalla tarkistuspainiketta saat näkyviin akun jäljellä olevan varaustason. Merkkivalot palavat muutaman sekunnin ajan.

Merkkivalot			Akussa jäljellä olevan varaus
 Palaava	 Pois päältä	 Viilkku	
			75% - 100%
			50% - 75%
			25% - 50%
			0% - 25%
			Lataa akku.
 	 	 	Akussa on saattanut olla toimintahäiriö.

**HUOMAA:** Ilmoitettu varaustaso voi erota hieman todellisesta varaustasosta sen mukaan, millaisissa oloissa ja missä lämpötilassa laitetta käytetään.

## Kytkimen käyttäminen

### ⚠️HUOMIO:

- Tarkista aina ennen akun kiinnittämistä työkaluun, että liipaisinkytkin toimii oikein ja palaa OFF-asentoon, kun se vapautetaan.
- Älä vedä liipaisinkytkimestä voimakkaasti, ellei samalla paina lukituksen vapautusvivusta. Kytkin voi rikkoutua.

► **Kuva9:** 1. Liipaisinkytkin 2. Lukituksen vapautusvipu

Laitteessa on lukitusvipu, joka estää liipaisinkytkimen painamisen vahingossa. Käynnistä työkalu painamalla lukitusvipua ja vetämällä liipaisinkytkimestä. Laite pysäytetään vapauttamalla liipaisinkytkin.

### ⚠️VAROITUS:

- Käyttäjän turvallisuuden vuoksi työkalussa on lukitusvipu, joka estää sen käynnistämisen vahingossa. ÄLÄ koskaan käytä työkalua, jos se käynnistyy pelkästään liipaisinkytkintä painamalla ilman, että lukitusvipua painetaan. Toimita työkalu Makita-huoltoon korjattavaksi ENNEN käytön jatkamista.
- ÄLÄ koskaan teippaa tai ohita lukitusvipua.






## Akun jäljellä olevan varaustason näyttäminen

### Maakohtainen

► **Kuva10:** 1. Akun ilmaisin





Kun työkaluun kytketään virta, akun merkkivalo näyttää akun jäljellä olevan varauksen.

Akun jäljellä oleva varaustaso näkyy seuraavassa taulukossa esitetyllä tavalla.

Akun merkkivalon tila	Akussa jäljellä oleva varaus
	
	50 % - 100 %
	20 % - 50 %
	0 % - 20 %
	Lataa akku

## Automaattinen nopeudenvaihtotoiminto

► **Kuva11:** 1. Tilan merkkivalo

Toimintatilan merkkivalon tila	Toimintatila
 	Suuren nopeuden tila
 	Suuren vääntömomentin tila

Tässä työkalussa on "suuren nopeuden tila" ja "suuren vääntömomentin tila". Se muuttaa toimintatilaa automaattisesti kuormituksen mukaan. Kun toimintatilan merkkivalo syttyy käyttöön aikana, työkalu on suuren vääntömomentin tilassa.

## Työkalun/akun suojausjärjestelmä












Työkalu on varustettu työkalu/akun suojausjärjestelmällä. Tämä järjestelmä pidentää työkalun ja akun käyttöikä katkaisemalla automaattisesti moottorin virran. Työkalu pysähtyy automaattisesti kesken käytön, jos työkalussa tai akussa ilmenee jokin seuraavista tilanteista: Joissakin tilanteissa merkkivalo syttyy.

### Ylikuormasuoja

Kun työkalua käytetään tavalla, joka saa sen kuluttamaan epätavallisen suuren määrän virtaa, työkalu pysähtyy automaattisesti ilman mitään merkkivaloa tai ilmaisinta. Katkaise silloin työkalusta virta ja lopeta ylikuormitustilan aiheuttanut käyttö. Käynnistä sitten työkalu uudelleen kytkemällä siihen virta.












### Työkalun ylikuumentumissuoja

Kun työkalu ylikuumentuu, se pysähtyy automaattisesti ja akun merkkivalo ilmaisee tilan seuraavasti: Anna silloin työkalun jäähtyä, ennen kuin kytket työkaluun uudelleen virran.

Akun ilmaisin			
			
			
Työkalu on ylikuumentunut			

### Suojalukituksen vapauttaminen

Kun suojausjärjestelmä toimii toistuvasti, työkalu lukittuu ja akun merkkivalo ilmaisee tilan seuraavasti:

Akun ilmaisin			
			
			
Suojalukitus toiminnassa			

Tässä tilassa työkalu ei käynnisty, vaikka sen virta katkaistaan ja kytketään. Voit vapauttaa suojauslukituksen seuraavasti: irrota akku, aseta se akkulaturiin ja odota, että se latautuu.

## Leikkaussyvyden säätäminen

### ⚠️HUOMIO:

- Kiristä vipua lujasti aina leikkaussyvyden säätämisen jälkeen.

#### ► Kuva12: 1. Vipu 2. Syvyystulkki

Löysää takakahvan sivussa olevaa vipua ja siirrä pohjaa ylös- tai alaspäin. Kun olet säätänyt leikkaussyvyden sopivaksi, lukitse pohja kiristämällä vipu. Aseta syvyys niin, että vain yksi terän hammas ulottuu työkalupaleen alapinnan ulkopuolelle, jolloin leikkaukselta tulee siisti ja itse leikkaus on turvallisempaa. Oikea leikkaussyvyys vähentää vammautumiskisken aiheuttavan TAKAPOTKUN vaaraa.

## Viisteitysleikkaus

#### ► Kuva13: 1. Etuvipu

Löysää etuvipu. Kallista saha haluamaasi kulmaan (0°–50°) ja kiristä etuvipu tiukasti.

#### ► Kuva14: 1. Pysäytin

Jos haluat leikata täsmälleen 45° asteen kulmia, käytä 45° pysäytintä. Käännä pysäytin vastapäivään ääri-asentoon, kun haluat sahata 0°–45° viisteitä ja myötäpäivään, kun haluat sahata 0°–50° viisteitä.

## Tähtäys

#### ► Kuva15: 1. Sahauslinja (0°-asento) 2. Sahauslinja (45°-asento) 3. Ruuvi

Kun haluat sahata suoraan, kohdista pohjan etuosan 0°-kohta sahauslinjaan. Kun haluat tehdä 45°:n viisteitä, kohdista 45°-kohta sahauslinjaan. Yläohjaimen asento on säädettävissä.

## Lampun sytyttäminen

### ⚠️HUOMIO:

- Älä katso suoraan lampun tai valonlähteeseen.

#### ► Kuva16: 1. Lamppu

Paina liipaisinkytkintä ilman, että painat lukitusvipua, vain silloin, kun haluat sytyttää lampun. Lamppu sytytetään ja työkalu käynnistetään painamalla lukitusvipua ja liipaisinkytkintä samaan aikaan. Lamppu palaa niin kauan kuin liipaisinkytkintä painetaan. Lamppu sammuu 10–15 sekunnin kuluttua liipaisinkytkimen vapauttamisesta.

### HUOMAA:

- Pyyhi lika pois lampun linssistä kuivalla liinalla. Älä naarmuta lampun linssiä, ettei valoteho laske.
- Älä käytä bensiiniä, tinneriä tai vastaavaa lampun puhdistukseen. Nämä aineet voivat vahingoittaa linssiä.

## Koukku

### ⚠️HUOMIO:

- Poista akku aina, kun ripustat työkalun koukusta.
- Älä koskaan ripusta työkalua korkeaan paikkaan tai epävakaaalle alustalle.

#### ► Kuva17: 1. Koukku 2. Sulje 3. Avaa

Työkalu voidaan kätevästi ripustaa väliaikaisesti koukkuun. Koukun saa käyttöön kääntämällä sen auki, kunnes se napsahtaa.

Napsauta koukku takaisin kiinni, kun et käytä sitä.

## KOKOONPANO

### ⚠️HUOMIO:

- Varmista aina ennen mitään työkalulle tehtäviä toimenpiteitä, että se on sammutettu ja akku irrotettu.

## Sahanterän irrotus ja kiinnitys

### ⚠️HUOMIO:

- Varmista, että terä on asennettu siten, että hampaat sahan etuosassa osoittavat ylöspäin.
- Käytän terän irrottamiseen ja kiinnittämiseen vain Makitan kiintoavainta.

#### ► Kuva18: 1. Kuusioavain 2. Karalukitus 3. Kiristä 4. Löysää

Terä irrotetaan painamalla karalukitusta niin, että terä ei pääse pyörimään ja löysäämällä sitten kuusiopulttia kiertämällä myötäpäivään kiintoavaimella. Irrota sitten kuusiopultti, ulkolaippa ja terä.

#### ► Kuva19: 1. Sisälaippa 2. Sahanterä 3. Ulkolaippa 4. Kuusiopultti

Terä kiinnitetään päinvastaisessa järjestyksessä.

MUISTA KIRISTÄÄ KUUSIOPULTTIA TIUKASTI VASTAPÄIVÄÄN.

Muista teränvaihdon yhteydessä puhdistaa terän ylä- ja alasuojus niihin kertyneestä sahanpurusta Kunnossapito-kohdassa kuvatulla tavalla. Näistä toimenpiteistä huolimatta tarkista aina alasuojuksen toiminta ennen jokaista käyttökertaa.

## Työkalu, jossa on jokin muu kuin 15,88 mm:n reiällä varustetulle terälle tarkoitettu sisälaippa

### ⚠️HUOMIO:

- Varmista, että sisälaipan ulospäin osoittava ulkonema "a" sopii tarkasti sahanterän reikään "a". Terän asentaminen väärälle puolelle saattaa aiheuttaa vaarallista tärinää.

#### ► Kuva20: 1. Akseli 2. Sisälaippa 3. Sahanterä 4. Ulkolaippa 5. Kuusiopultti

Sisälaipan ulkoneman halkaisija on erilainen eri puolilla laippaa. Valitse se puoli, jonka ulkonema sopii sahante-rän reikään.

Kiinnitä sisälaippa sitten akseliin siten, että haluamasi sisälaipan uloke on ulospäin, ja aseta sahanterä ja ulkolaippa paikalleen.

MUISTA KIRISTÄÄ KUUSIOPULTTI TIUKASTI VASTAPÄIVÄÄN.

## Työkalu, jossa on 15,88 mm:n reiällä varustettuun sahanterään sopiva sisälaippa (maakohtainen)

► **Kuva21:** 1. Akseli 2. Sisälaippa 3. Sahanterä 4. Ulkolaippa 5. Kuusiopultti

► **Kuva22:** 1. Akseli 2. Sisälaippa 3. Sahanterä 4. Ulkolaippa 5. Kuusiopultti 6. Rengas

Kiinnitä sisälaippa akseliin siten, että sen syvennys on ulospäin, ja aseta sitten sahanterä (tarvittaessa renkaan kanssa), ulkolaippa ja kuusiopultti paikalleen.

MUISTA KIRISTÄÄ KUUSIOPULTTI TIUKASTI VASTAPÄIVÄÄN.

### VAROITUS:

- Varmista aina ennen terän sovittamista karalle, että sisä- ja ulkolaippojen väliin on asennettu oikea akselin rengas käytetävän terän mukaisesti. Vääränlaisen akselin reiän renkaan käyttäminen voi aiheuttaa terän virheellisen kiinnityksen, jolloin terä pääsee liikkumaan ja tärisee voimakkaasti. Sen seurauksena voi olla työkalun hallinnan menetys ja vakava henkilövahinko.

## Kuusioavaimen varastointi

► **Kuva23:** 1. Kuusioavain

Säilytä kuusioavainta kuvan osoittamassa paikassa, ettei se pääse katoamaan.

## Pölynimurin kytkeminen

(Lisävaruste joissakin maissa)

► **Kuva24:** 1. Pölysuutin 2. Ruuvi 3. Vipu

► **Kuva25:** 1. Pölynimuri 2. Letku

Jos haluat tehdä sahaustyön siististi, kytke sahaan Makita-pölynimuri.

Kiinnitä pölysuutin työkaluun ruuvilla. Kytke sitten pölynimurin letku pölysuuttimeen kuvan osoittamalla tavalla.

Jos työkalussa ei ole pölysuutinta vakiovarusteena, vaihda alasuojukseen kiinnitetty vipu pölysuuttimeen (lisävaruste) mukana toimitettuun vipuun, kun asennat pölysuuttimeen. Muutoin et pysty sahaamaan, sillä pölysuutin estää alasuojuksen liikkeen.

## TYÖSKENTELY

### HUOMIO:

- Työnnä sahaa kevyesti suoraan eteenpäin. Sahan pakottaminen tai vääntäminen johtaa moottorin ylikuumentumiseen ja voi aiheuttaa vaarallisen takapotkun ja vakavia vammoja.
- Käytä aina etu- ja takakahvaa ja ota työkalusta käytön aikana tukeva ote sekä etu- että takakahvasta.

► **Kuva26**

Ota koneesta luja ote. Laitteessa on sekä etu- että takakahva. Tartu työkaluun molemmista. Jos pidät työkalusta molemmin käsin, et voi loukata käsiä terään. Aseta sahan pohja sahattavan työkalupaleen päälle ilman, että terä ottaa työkalupaleeseen. Kiinnistä sitten työkalu ja odota, kunnes terä pyörii täydellä nopeudella. Siirrä nyt yksinkertaisesti työkalua eteenpäin työkalupaleen pinnalle, pitäen sitä alennettuna ja edeten tasaisesti, kunnes leikkaus on valmis.

Siistien leikkausten saavuttamiseksi, pidä sahauslinja suorana ja etenemisnopeutesi tasaisena. Jos sahaus menee vinoon, älä yritä vääntää tai pakottaa sahaa oikeaan linjaan. Terä voi vääntyä ja aiheuttaa vaarallisen takapotkun ja mahdollisesti vammoja. Vapauta liipaisin-kytkin, odota, kunnes terä pysähtyy ja nosta sen jälkeen saha urasta. Suuntaa saha uuteen sahauslinjaan ja aloita leikkaus uudestaan. Yritä asettaa sellaiseen kohtaan, jossa et joudu aaltiksi sahasta lentävälle purulle ja lastuille. Käytä vammojen välttämiseksi suojalaseja.

## Repeämäohjain (ohjaustulkki) (lisävaruste)

► **Kuva27:** 1. Kiristysruuvi 2. Repeämäohjain (ohjaustulkki)

Kätevän repeämäohjaimen avulla voit sahata tarkasti suorassa linjassa. Siirrä repeämäohjain tiukasti kiinni työkalupaleen reunaan ja kiristä se paikoilleen alustan etuosassa olevalla kiristysruuvilla. Näin voit myös sahata useita saman levyisiä kappaleita.

## KUNNOSSAPITO

### HUOMIO:

- Varmista aina ennen mitään työkalulle tehtäviä toimenpiteitä, että se on sammutettu ja akku irrotettu.
- Puhdista ylä- ja alasuojukset ja varmista, ettei niihin ole kertynyt sahanpurua, joka voisi estää alasuojusjärjestelmän toiminnan. Jos suojuksjärjestelmä on likainen, se ei ehkä toimi asianmukaisesti, mikä voi aiheuttaa vakavia vammoja. Tehokkain puhdistustapa on käyttää paineilmaa. Jos suojuksista lentää pölyä, muista käyttää asianmukaisia silmä- ja hengityssuojaimia.
- Älä koskaan käytä bensiniä, ohentimia, alkoholia tai tms. aineita. Muutoin pinta voi halkeilla tai sen värit ja muoto voivat muuttua.

## Tarkkuussäätö 0° ja 45° (suora ja 45° viiste)

► **Kuva28:** 1. Säätöruuvi, 45° 2. Säätöruuvi, 0°

► **Kuva29:** 1. Kolmikulma

Tämä säätö on tehty tehtaalla. Jos säätö ei ole kohdallaan, voit säätää kulmaa kiertämällä säätöruuvia kuusioavaimella ja säätämällä terä pohjaan nähden 0° tai 45° kulmaan suorakulmalla, kulmamitalla tai vastavalla. Jos haluat leikata täsmälleen 45° kulmia, käytä 45° pysäytintä.

## Viisto-ohjaimen säätö

► **Kuva30:** 1. Viisto-ohjain 2. Ruuvi 3. Ohjain

Viisto-ohjain on säädetty tehtaalla. Jos säätö ei ole kohdallaan, voit säätää sitä seuraavasti.

Aloita viisto-ohjaimen säätö löysäämällä sen kaksi ruuvia. Kohdista viisto-ohjaimen 0°-linja pohjassa olevaan ohjaimeseen, kun pohja on säädetty 0° kulmaan.

Koneen TURVALLISUUDEN ja LUOTETTAVUUDEN säilyttämiseksi korjaukset sekä muut huoltotoimet ja säädöt on jätettävä Makitan valtuuttaman huollon tehtäväksi käyttäen aina Makitan alkuperäisiä varaosia.

## LISÄVARUSTEET

### **HUOMIO:**

- Näitä lisävarusteita ja -laitteita suositellaan käytettäväksi tässä ohjekirjassa mainitun Makitan koneen kanssa. Minkä tahansa muun lisävarusteen tai -laitteen käyttäminen voi aiheuttaa loukkaantumisvaaran. Käytä lisävarusteita ja -laitteita vain niiden käyttötarkoituksen mukaisesti.

Jos tarvitset apua tai yksityiskohtaisempia tietoja seuraavista lisävarusteista, ota yhteys paikalliseen Makitan huoltoon.

- Sahanterät
- Repeämäohjain (ohjaustulkki)
- Ohjainkisko
- Ohjainkiskon sovitin
- Viivaintanko
- Pölysuutin
- Kuusioavain
- Aito Makitan akku ja laturi

### **HUOMAA:**

- Jotkin luettelossa mainitut varusteet voivat sisältyä työkalun toimitukseen vakiovarusteina. Ne voivat vaihdella maittain.

## SPECIFIKĀCIJAS

Modelis		DHS680
Asmens diametrs		165 mm
Maks. frēzēšanas dziļums	0° leņķī	57 mm
	45° leņķī	41 mm
	50° leņķī	37 mm
Tukšgaitas ātrums		5 000 min <sup>-1</sup>
Kopējais garums		350 mm
Neto svars		3,0 - 3,3 kg
Nominālais spriegums		Līdzstrāva 18 V

- Nepārtrauktās izpētes un izstrādes programmas dēļ šeit uzrādītās specifikācijas var tikt mainītas bez brīdinājuma.
- Atkarībā no valsts specifikācijas var atšķirties.
- Svārs var būt atšķirīgs atkarībā no papildierīces(-ēm), tostarp akumulatora kasetnes. Tabulā ir attēlota vieglākā un smagākā kombinācija atbilstoši EPTA procedūrai 01/2014.

## Piemērotā akumulatora kasetne un lādētājs

Akumulatora kasetne	BL1815N / BL1820 / BL1820B / BL1830 / BL1830B / BL1840 / BL1840B / BL1850 / BL1850B / BL1860B
Lādētājs	DC18RC / DC18RD / DC18RE / DC18SD / DC18SE / DC18SF

- Daži no iepriekš norādītajiem lādētājiem un akumulatora kasetnēm var nebūt pieejami atkarībā no jūsu mītnes reģiona.

**▲BRĪDINĀJUMS:** Izmantojiet vienīgi iepriekš norādītās akumulatora kasetnes un lādētājus. Cita tipa akumulatora kasetņu un lādētāju izmantošana var rādīt traumu un/vai aizdegšanās risku.

### Paredzētā lietošana

Šis darbarīks ir paredzēts kokmateriālu taisnvirziena un leņķveida zāģēšanai gareniski un šķērseniski, cieši saskaroties ar apstrādājamo materiālu. Izmantojot piemērotus Makita oriģinālos zāģu asmeņus, var zāģēt arī citus materiālus.

### Troksnis

Tipiskais A-svērtais trokšņa līmenis ir noteikts saskaņā ar EN62841:

Skaņas spiediena līmenis ( $L_{pA}$ ): 94 dB (A)

Skaņas jaudas līmenis ( $L_{WA}$ ): 105 dB (A)

Neskaidrība (K): 3 dB (A)

Lietojiet ausu aizsargus

### Vibrācija

Vibrācijas kopējā vērtība (trīs asu vektora summa) noteikta saskaņā ar EN62841:

Darba režīms: koksnes zāģēšana

Vibrācijas emisija ( $a_{h,w}$ ): 2,5 m/s<sup>2</sup> vai mazāk

Neskaidrība (K): 1,5 m/s<sup>2</sup>

**PIEZĪME:** Paziņotā vibrācijas emisijas vērtība noteikta atbilstoši standarta pārbaudes metodei un to var izmantot, lai salīdzinātu vienu darbarīku ar citu.

**PIEZĪME:** Paziņoto vibrācijas emisijas vērtību arī var izmantot iedarbības sākotnējā novērtējumā.

**▲BRĪDINĀJUMS:** Reāli lietojot mehanizēto darbarīku, vibrācijas emisija var atšķirties no paziņotās emisijas vērtības atkarībā no darbarīka izmantošanas veida.

**▲BRĪDINĀJUMS:** Lai aizsargātu lietotāju, nosakiet drošības pasākumus, kas pamatoti ar iedarbību reālos darba apstākļos (ņemot vērā visus ekspluatācijas cikla posmus, piemēram, laiku, kamēr darbarīks ir izslēgts un kad darbojas tukšgaitā, kā arī palaišanas laiku).

## EK atbilstības deklarācija

### Tikai Eiropas valstīm

EK atbilstības deklarācija šajā lietošanas rokasgrāmatā ir iekļauta kā A pielikums.

## Vispārīgi elektrisko darbarīku drošības brīdinājumi

**▲BRĪDINĀJUMS:** Izlasiet visus drošības brīdinājumus, instrukcijas, apskatiet ilustrācijas un tehniskos datus, kas iekļauti mehanizētā darbarīka komplektācijā. Ja netiek ievēroti visi tālāk minētie noteikumi, var tikt izraisīta elektrotrauma, notikt aizdegšanās un/vai rasties smagas traumas.

# Glabājiet visus brīdinājumus un norādījumus, lai varētu tajos ieskatīties turpmāk.

Termins „elektrisks darbarīks” brīdinājumus attiecas uz tādu elektrisko darbarīku, ko darbina ar elektrību (ar vadu), vai tādu, ko darbina ar akumulatoru (bez vada).

## Drošības brīdinājumi par bezvadu rīpžāga lietošanu

### Zāģēšanas procedūras

1. **⚠ BĪSTAMI:** Netuviniet rokas griešanas zonai un asmenim. Otru roku turiet uz palīgrokura vai motora korpusa. Ja turat zāģi ar abām rokām, asmens tās nevar sagriezt.
2. Nesniedzieties zem apstrādājamā materiāla. Aizsargs neaizsargā no asmens zem apstrādājamā materiāla.
3. Noregulējiet griešanas dziļumu atbilstoši apstrādājamā materiāla biezumam. Zem apstrādājamā materiāla jābūt redzamam nedaudz mazāk nekā veselam zāģa zobam.
4. Griežot apstrādājamo materiālu, nekad neturiet to rokās vai pār kāju. Apstrādājamo materiālu nostipriniet uz stabilas platformas. Materiālu ir svarīgi pareizi nostiprināt, lai mazinātu apdraudējumu ķermenim, novērstu asmens iekļīšanās vai kontroles zuduma risku.

### ► Att.1

5. Veicot darbību, kuras laikā griešanas instruments var pieskarties slēptam vadam vai savam vadam, mehanizēto darbarīku turiet aiz izolētām virsmām. Saskare ar vadu zem sprieguma var nodot spriegumu mehanizētā darbarīka metāla daļām, un operators var saņemt elektriskās strāvas triecienu.
6. Zāģējot gareniski, vienmēr izmantojiet garenzāģēšanas ierobežotāju vai aizsargu ar taisnāzina malām. Tas uzlabo zāģēšanas precizitāti un mazina asmens iekļīšanās iespēju.
7. Vienmēr izmantojiet asmeņus ar pareizā izmēra un formas (dimanta vai apaļas) pievienošanas atverēm. Asmeņi, kas neatbilst zāģa uzstādīšanas sastāvdaļām, darbosies nepareizi, izraisot kontroles zudumu.
8. Nekādā gadījumā nelietojiet bojātas vai neatbilstošas asmens starplikas vai skrūvi. Asmens paplāksnes un skrūves ir speciāli paredzētas konkrētajam zāģim, lai sniegtu optimālu darba izpildi un drošību.

### Atsitienu iemesli un ar to saistīti brīdinājumi

- atsitiens ir pēkšņa kustība pēc zāģa asmens iesprūšanas, iekļīšanās vai nepareizas novietošanās, liekot zāģim nekontrolēti pacelties un izvirzīties no apstrādājamā materiāla operatora virzienā;
- kad asmens cieši iesprūst vai iekļījas starp sakļaujamo iezāģējumu, asmens apstājas, un dzinēja kustība liek ierīcei strauji virzīties atpakaļ operatora virzienā;
- ja asmeni iezāģējumā saspiež vai nepareizi novieto, zobi asmens aizmugurējā malā var ieurbties koka virsmā, liekot asmenim izvirzīties no iezāģējuma un atlēkt atpakaļ operatora virzienā.

Atsitiens rodas zāģa nepareizas lietošanas un/vai nepareizas darbības vai apstākļu rezultātā, un no tā var izvairīties, veicot piemērotus drošības pasākumus, kā tālāk norādīts.

1. Ar abām rokām spēcīgi turiet zāģi, rokas novietojot tā, lai spētu pretoties atsitienu spēkam. Turiet asmeni vienā ķermeņa pusē, bet neturiet vienā līnijā ar ķermeņa vidusdaļu. Atsitiens var likt zāģim atlēkt atpakaļ, taču atsitienu spēku operators var kontrolēt, ja veic piemērotus drošības pasākumus.
2. Ja asmens iekļījas vai kāda iemesla dēļ neļauj pabeigt zāģēšanu, atļaidiet mēlīti un nekustinot turiet zāģi materiālā, kamēr asmens pilnībā apstājas. Nekad neņemiet zāģi ārā no materiāla un nevirziet to atpakaļ, ja asmens kustas, jo tā var izraisīt atsitienu. Pārbaudiet un koriģējiet, lai novērstu asmens iekļīšanās cēloņus.
3. Atsākot zāģa darbību apstrādājamajā materiālā, novietojiet zāģa asmeni iezāģējuma centrā tā, lai zāģa zobi nesaskaras ar materiālu. Ja zāģa asmens ir iekļījies, tas var palēkties vai atsisties no apstrādājamā materiāla, kad zāģa darbība tiek atsākta.
4. Atbalstiet lielus gabalus, lai samazinātu asmens iesprūšanu vai atsitienu. Lielī gabali bieži vien zem sava svara ieliecas. Atbalsti jānovieto abās pusēs zem gabala, blakus griezuma līnijai un blakus gabala malai.

### ► Att.2

### ► Att.3

5. Neizmantojiet neasus vai bojātus asmeņus. Neuzasināts vai nepareizi uzstādīts asmens veido šauru iezāģējumu, kas rada pārmērīgu berzi, asmens iekļīšanās vai atsitienu.
6. Pirms sākt zāģēt pārliecinieties, vai asmens dziļuma un slīpuma regulēšanas sviras ir ciešas un nostiprinātas. Ja noregulētais asmens griešanas laikā pārvietojas, tas var iekļīties un izraisīt atsitienu.
7. Īpaši uzmanieties, zāģējot jau esošās sienās vai citās aizsegtās vietās. Caurejošais asmens var ietriekties priekšmetos, kas var izraisīt atsitienu.
8. VIENMĒR stingri turiet darbarīku ar abām rokām. NEKAD nenovietojiet savu galvu, kāju vai jebkuru savu ķermeņa daļu zem darbarīka pamatnes vai aiz zāģa, īpaši, kad zāģējat šķēršām. Ja ir atsitiens, zāģis var atlēkt atpakaļ vīrs jūsu rokas, radot smagu traumu.

### ► Att.4

9. Nekad nespiediet zāģi. Virziet zāģi uz priekšu tādā ātrumā, lai asmens zāģētu bez palānināšanās. Ja spēcīgi spiedīsiet zāģi, zāģējumi būs nevienmērīgi, neprecīzi un radīsies atsitienu risks.

### Aizsarga funkcionēšana

1. Pirms katras lietošanas reizes pārbaudiet, vai apakšējais aizsargs aizveras pareizi. Nelietojiet zāģi, ja apakšējais aizsargs nevirzās brīvi un nekavējoties neaizveras. Nekad nepiestipriniet un nepiesieniet apakšējo aizsargu atvērtā stāvoklī. Ja zāģis nejauši nokrīt, apakšējais aizsargs var salocīties. Paceliet apakšējo aizsargu ar ievilkšanas rokturi un pārliecinieties, ka tas virzās brīvi un nepieskaras asmenim vai citai daļai visos griezuma leņķos un dziļumos.

2. **Pārbaudiet apakšējā aizsarga atsperes darbību. Ja aizsargs un atspere nedarbojas pareizi, tie pirms lietošanas jāsalabo.** Apakšējais aizsargs var darboties lēni bojātu daļu, sveķu nosēdumu vai uzkrājušos gružu dēļ.
3. **Apakšējais aizsargs jāizvelk manuāli tikai īpašas zāģēšanas nolūkā, piemēram, „iezāģējumu” un un „kombinētu zāģējumu” gadījumā.** Paceliet apakšējo aizsargu ar ievilkšanas rokturi un, tiklīdz asmens nokļūst materiālā, atļaidiet apakšējo aizsargu. Visu citu zāģēšanas darbu gadījumā apakšējam aizsargam jādarbojas automātiski.
4. **Pirms novietot zāģi uz sola vai grīdas, vienmēr pārbaudiet, vai apakšējais aizsargs nosedz asmeni.** Neaizsargāts asmens, kas kustas pēc inerces, virzīs zāģi atpakaļ, sagriežot visu, kas ir tā ceļā. Atcerieties, ka pēc slēdža atlaišanas asmenim nepieciešams laiks, lai apstātos.
5. **Lai pārbaudītu apakšējo aizsargu, atveriet to ar roku, tad atļaidiet un novērojiet, kā tas aizveras.** Pārbaudiet arī, vai ievilkšanas rokturis nepieskaras darbarīka korpusam. Neaizsegts asmens ir ĻOTI BĪSTAMS un var radīt smagas traumas.
10. **Izmantojiet tikai tāda diametra zāģa asmeņus, kas ir norādīts uz darbarīka vai rokasgrāmatā.** Izmantojot nepareiza izmēra asmeni, var būt traucēta asmens pareiza palzielināšana vai aizsarga darbība, kas var izraisīt nopietnus ievainojumus.
11. **Uzturiet asmeni asu un tīru.** Ja asmeņiem pielīpuši sveķi un koka darva, zāģa darbība kļūst lēnāka un atsitiena risks palielinās. Rūpējieties, lai asmens būtu tīrs, vispirms to noņemot nost no darbarīka, tad notīrot ar sveķu un darvas tīrītāju, karstu ūdeni vai petroleju. Nekad neizmantojiet benzīnu.
12. **Lietojot darbarīku, izmantojiet putekļu masku un ausu aizsargus.**
13. **Vienmēr izmantojiet zāģa asmeni, kas paredzēts materiālam, ko griezīsiet.**
14. **Izmantojiet tikai tādus zāģa asmeņus, kas ir marķēti ar ātrumu, kas ir tāds pats vai lielāks kā uz darbarīka norādītais ātrums.**
15. **(Tikai Eiropas valstīm)**  
Vienmēr izmantojiet asmeni, kas atbilst EN847-1 standartam.

## SAGLABĀJIET ŠOS NORĀDĪJUMUS.

### Papildu drošības brīdinājumi

1. **Ievērojiet sevišķu piesardzību, zāģējot mitru koksni, ar spiedienu apstrādātu zāģmateriālu vai zarus.** Noregulējiet zāģēšanas ātrumu tā, lai darbarīks vienmērīgi palielinātu ātrumu, nesamazinot asmens ātrumu un nepieļaujot asmens malu pārkaršanu.
2. **Neņemiet nost sagriezto materiālu, kamēr asmens griežas.** Pirms sazāģētā materiāla satveršanas nogaidiet, līdz asmens apstājas. Asmeņi pēc darbarīka izslēgšanās turpina kustēties pēc inerces.
3. **Negrieziet naglas.** Pirms zāģēšanas pārbaudiet, vai zāģmateriālā nav naglu, un tās izņemiet.
4. **Zāģa pamata platāko daļu novietojiet uz tās apstrādājamā materiāla daļas, kas ir cieši atbalstīta, nevis uz daļas, kas pēc nogriešanas nokrītīs.** Ja apstrādājamais materiāls ir īss vai mazs, piestipriniet to. **NETURIET ĪSOS GABALUS ROKĀS!**

### ► Att.5

5. **Pirms nolaist darbarīku, pabeidzot zāģēšanu, pārliecinieties, ka apakšējais aizsargs ir aizvēries un asmens ir pilnībā apstājies.**
6. **Nekad nezāģējiet, ja ripzāģis skrūvspilēs iestiprināts otrādi.** Tas ir ārkārtīgi bīstami un var izraisīt smagus negadījumus.

### ► Att.6

7. **Daži materiāli satur ķīmiskas vielas, kas var būt toksiskas.** Izvairieties no putekļu ieelpošanas un to nokļūšanas uz ādas. Ievērojiet materiāla piegādātāja drošības datus.
8. **Nemēģiniet apstādināt asmeņus, no sāniem spiežot uz zāģa asmens.**
9. **Neizmantojiet abrazīvās ripas.**

**▲BRĪDINĀJUMS: NEPIEĻAUJIET** to, ka labu iemaņu vai izstrādājuma labas pārziņāšanas (darbarīku atkārtoti ekspluatējot) rezultātā vairs stingri neievērojat šī izstrādājuma drošības noteikumus. **NEPAREIZI LIETOJOT** darbarīku vai neievērojot šajā instrukcijā rokasgrāmatā minētos drošības noteikumus, var tikt gūtas smagas traumas.

## Svarīgi drošības norādījumi par akumulatora kasetni

1. **Pirms akumulatora lietošanas izlasiet visus norādījumus un brīdinājumus, kuri attiecas uz (1) akumulatora lādētāju, (2) akumulatoru un (3) ierīci, kurā tiek izmantots akumulatoru.**
2. **Neizjauciet akumulatoru.**
3. **Ja akumulatora darbības laiks kļūva ievērojami īsāks, nekavējoties pārtrauciet to izmantot.** Citādi, tas var izraisīt pārkarsējumu, uzliesmojumu vai pat sprādzienu.
4. **Ja elektrolīts nonāk acīs, izskalojiet tās ar tīru ūdens un nekavējoties griezieties pie ārsta.** Tas var izraisīt redzes zaudēšanu.
5. **Neradiet īssavienojumu akumulatora kasetnē:**
  - (1) **Nepieskarieties spaiļēm ar elektrību vadošiem materiāliem.**
  - (2) **Neuzglabājiet akumulatoru kasetni kopā ar citiem metāla priekšmetiem, tādiem kā naglas, monētas u. c.**
  - (3) **Nepakļaujiet akumulatora kasetni ūdens vai lietus iedarbībai.****Akumulatora īssavienojums var radīt spēcīgu strāvas plūsmu, pārkaršanu, uzliesmojumu un pat sabojāt akumulatoru.**



- Neglabājiet darbarīku un akumulatora kasetni vietās, kur temperatūra var sasniegt vai pārsniegt 50 °C (122 °F).
- Nedeziniet akumulatora kasetni, pat ja tā ir stipri bojāta vai pilnībā nolietota. Akumulatora kasetne ugunī var eksplodēt.
- Uzmanieties, lai neļautu akumulatoram nokrist un nepakļautu to sītienam.
- Neizmantojiet bojātu akumulatoru.
- Uz izmantotajiem litija jonu akumulatoriem attiecas likumdošanas prasības par bīstamiem izstrādājumiem.

Komerציālā transportēšanā, ko veic, piemēram, trešās puses, transporta uzņēmumi, jāievēro uz iesaņņojuma un marķējuma norādītās īpašās prasības.

Lai izstrādājumu sagatavotu nosūtīšanai, jāsaziņās ar bīstamo materiālu speciālistu. Ievērojiet arī citus attiecināmos valsts normatīvus.

Vajējus kontaktus nosedziet ar līmlenti vai citādi pārklājiet, bet akumulatoru iesaņņojiet tā, lai saņņī tas nevarētu izkustēties.

- Ievērojiet vietējos noteikumus par akumulatora likvidēšanu.
- Izmantojiet šos akumulatorus tikai ar izstrādājumiem, kurus norādījis Makita. Ievietojot šos akumulatorus nesaderīgos izstrādājumos, var rasties ugunsgrēks, pārmērīgs karstums, tie var uzsprāgt vai no tiem var izteciēt elektrolīts.

## SAGLABĀJIET ŠOS NORĀDĪJUMUS.

**UZMANĪBU:** Lietojiet tikai oriģinālos Makita akumulatorus. Ja lietojat neoriģinālus Makita akumulatorus vai pārveidotus akumulatorus, tie var uzsprāgt un izraisīt aizdegšanos, traumas un materiālos zaudējumus. Tīks anulēta arī Makita darbarīka un lādētāja garantija.

## Ieteikumi akumulatora kalpošanas laika pagarināšanai

- Uzlādējiet akumulatora kasetni, pirms tā ir pilnībā izlādējusies. Vienmēr, kad ievērojat, ka darbarīka darba jauda zudusi, apturiet darbarīku un uzlādējiet akumulatora kasetni.
- Nekad neuzlādējiet pilnībā uzlādētu akumulatora kasetni. Pārmērīga uzlāde saīsina akumulatora kalpošanas laiku.
- Uzlādējiet akumulatora kasetni istabas temperatūrā 10 °C - 40 °C. Karstai akumulatora kasetnei pirms uzlādes ļaujiet atdzist.
- Uzlādējiet litija jonu akumulatora kasetni, ja to ilgstoši nelietosit (vairāk nekā sešus mēnešus).

## FUNKCIJU APRAKSTS

### UZMANĪBU:

- Pirms darbarīka regulēšanas vai tā darbības pārbaudes vienmēr pārliecinieties, ka darbarīks ir izslēgts un akumulatora kasetne ir izņemta.

## Akumulatora kasetnes uzstādīšana un izņemšana

- **Att.7:** 1. Poga 2. Sarkans indikators 3. Akumulatora kasetne

### UZMANĪBU:

- Vienmēr pirms akumulatora kasetnes uzstādīšanas vai noņemšanas izslēdziet darbarīku.
- Uzstādot vai izņemot akumulatora kasetni, darbarīku un akumulatora kasetni turiet cieši.** Ja darbarīku un akumulatora kasetni netur cieši, tie var izkrist no rokām un radīt bojājumus darbarīkam un akumulatora kasetnei, kā arī izraisīt ievainojumus.

Lai izņemtu akumulatora kasetni, izvelciet to no darbarīka, pārbīdot kasetnes priekšpusē esošo pogu. Lai uzstādītu akumulatora kasetni, salāgojiet mēlīti uz akumulatora kasetnes ar rievu ietvarā un iebīdiet to vietā. Bīdīet to iekšā līdz klikšķim, kas nozīmē, ka tā ir pareizi uzstādīta. Ja pogas augšējā daļā ir redzams sarkans indikators, tas nozīmē, ka tā nav pilnīgi bloķēta.

### UZMANĪBU:

- Vienmēr ievietojiet akumulatora kasetni tā, lai sarkanais indikators nebūtu redzams. Pretējā gadījumā tā var nejauši izkrist no darbarīka un radīt jums vai apkārtējiem ievainojumu.
- Neievietojiet akumulatora kasetni ar spēku. Ja kasetne neslīd ietvarā viegli, tā nav pareizi ielikta.

### PIEZĪME:

- Ja akumulatora kasetni nevar viegli izņemt, pastumiet un pavelciet to no pogas otras puses.

## Atlikušās akumulatora jaudas indikators

*Tikai akumulatora kasetnēm ar indikatoru*

- **Att.8:** 1. Indikatora lampas 2. Pārbaudes poga

Nospiediet akumulatora kasetnes pārbaudes pogu, lai pārbaudītu akumulatora atlikušo uzlādes līmeni. Indikatori iedegsies uz dažām sekundēm.

Indikatora lampas			Atlikusī jauda
ledzedies	Izslēgts	Mirgo	
			No 75% līdz 100%
			No 50% līdz 75%
			No 25% līdz 50%
			No 0% līdz 25%
			Uzlādējiet akumulatoru.
			Iespējama akumulatora kļūme.

**PIEZĪME:** Reālā jauda var nedaudz atšķirties no norādītās atkarībā no lietošanas apstākļiem un apkārtējās temperatūras.

## Slēdža darbība

### ⚠ UZMANĪBU:

- Pirms akumulatora kasetnes uzstādīšanas darbarīkā, vienmēr pārbaudiet, vai slēdža mēlīte darbojas pareizi un pēc atlaišanas atgriežas „OFF” (izslēgts) stāvoklī.
- Nevelciet slēdža mēlīti ar spēku, nenospiežot atbloķēšanas sviru. Rezultātā varat sabojāt slēdzi.

#### ► Att.9: 1. Slēdža mēlīte 2. Atbloķēšanas svira

Lai nepieļautu slēdža mēlītes nejaušu pavilkšanu, darbarīks ir aprīkots ar atbloķēšanas sviru. Lai darbarīku iedarbinātu, nospiediet atbloķēšanas sviru un pavelciet slēdža mēlīti. Lai apturētu darbarīku, atlaidiet slēdža mēlīti.

### ⚠ BRĪDINĀJUMS:

- Jūsu drošības nolūkā šis darbarīks ir aprīkots ar atbloķēšanas sviru, kas nepieļauj darbarīka nejaušu iedarbināšanu. NEKAD neekspluatējiet darbarīku, ja tas darbojas, kad vienkārši pavelkat slēdža mēlīti, nenospiežot atbloķēšanas sviru. PIRMS turpmākas ekspluatācijas nododiet darbarīku MAKITA apkopes centrā, lai to atbilstīgi salabotu.
- NEKAD nenovērtējiet par zemu vai neignorējiet atbloķēšanas sviras mērķi un funkcijas.

## Akumulatora atlikušās jaudas indikators

### Dažādām valstīm atšķiras

#### ► Att.10: 1. Akumulatora indikators

Ieslēdzot darbarīku, akumulatora indikators parāda akumulatora atlikušo jaudu.

Akumulatora atlikušās jaudas apzīmējumi redzami šajā tabulā.

Akumulatora indikatora statuss	Atlikusī akumulatora jauda
:  :	
	50 % - 100 %
	20 % - 50 %
	0 % - 20 %
	Uzlādējiet akumulatoru

## Automātiskā ātruma maiņas funkcija

#### ► Att.11: 1. Režīma indikators

Režīma indikatora statuss	Ekspluatācijas režīms
	Liela ātruma režīms
	Liela griezes momenta režīms

Šim darbarīkam ir „liela ātruma režīms” un „liela griezes momenta režīms”. Tas automātiski maina ekspluatācijas režīmu atkarībā no darba slodzes. Kad ekspluatācijas laikā izgaismojas režīma indikators, darbarīkam ir ieslēgts liela griezes momenta režīms.

## Darbarīka/akumulatora aizsardzības sistēma

Darbarīks ir aprīkots ar darbarīka/akumulatora aizsardzības sistēmu. Šī sistēma automātiski izslēdz jaudas padevi motoram, lai pagarinātu darbarīka un akumulatora kalpošanas laiku.

Darbarīks automātiski pārstās darboties ekspluatācijas laikā, ja darbarīku vai akumulatoru pakļaus kādam no šiem apstākļiem. Dažu apstākļu gadījumā izgaismojas indikators.

## Aizsardzība pret pārslodzi

Ja darbarīku ekspluatācijas laikā lieto tādā veidā, ka tas saista pārmērīgu strāvu, darbarīks automātiski pārstāj darboties bez jebkādam norādēm. Šādā gadījumā izslēdziet darbarīku un pārtrauciet darbību, kas izraisa darbarīka pārslodzi. Pēc tam ieslēdziet darbarīku, lai atsāktu.

## Aizsardzība pret darbarīka pārkaršanu

Kad darbarīks ir pārkaršis, tas automātiski pārstāj darboties, un akumulatora indikators ir tāds, kā redzams attēlā. Šādā gadījumā ļaujiet darbarīkam atdzist, pirms vēlreiz to ieslēgt.

Akumulatora indikators	ON (ieslēgts)	OFF (izslēgts)	Mirgo
	Darbarīks ir pārkaršis		

## Aizsardzības bloķētāja izslēgšana

Kad aizsardzības sistēma atkārtoti iedarbojas, darbarīks nobloķējas un akumulatora indikators ir tāds, kā redzams attēlā.

Akumulatora indikators	ON (ieslēgts)	OFF (izslēgts)	Mirgo
	Ieslēgts aizsardzības bloķētājs		

Šādā gadījumā darbarīks nesāk darboties pat pēc izslēgšanas un ieslēgšanas. Lai izslēgtu aizsardzības bloķētāju, izņemiet akumulatoru, ievietojiet akumulatora lādētājā un gaidiet, līdz beidzas uzlāde.

## Ēvelēšanas dziļuma regulēšana

### ⚠️ UZMANĪBU:

- Pēc frēzēšanas dziļuma noregulēšanas vienmēr cieši pievelciet sviru.

► **Att.12:** 1. Svira 2. Dziļuma vadītka

Aizmugures roktura pusē atlaidiet sviru un pamatni pārvietojiet uz augšu vai uz leju. Nostipriniet pamatni vēlamajā zāģēšanas dziļumā, pievelkot sviru. Lai zāģēšana būtu tīrāka un drošāka, uzstādiat zāģēšanas dziļumu tā, lai ne vairāk kā viens asmens zobs būtu redzams zem apstrādājamā materiāla. Izmantojot pareizu zāģēšanas dziļumu, iespējams samazināt bīstamus ATSTIENUS, kas var izraisīt ievainojumus.

## Slīpā zāģēšana

► **Att.13:** 1. Priekšējā svira

Atbrīvojiet priekšējo sviru. Iestatiet nepieciešamo leņķi (0°-50°), attiecīgi sasverot, tad cieši nostipriniet priekšējo sviru.

► **Att.14:** 1. Aizturis

Zāģējot precīzi 45° leņķī, izmantojiet 45° leņķa aizturi. Pagrieziet aizturi līdz galam pretēji pulksteņrādītāja virzienam, lai zāģētu slīpā leņķī (0°-45°), un pagrieziet to pulksteņrādītāja virzienā, lai zāģētu 0°-50° slīpā leņķī.

## Nomērķēšana

► **Att.15:** 1. Zāģēšanas līnija (0° leņķis) 2. Zāģēšanas līnija (45° leņķis) 3. Skrūve

Lai zāģētu taisni, savietojiet 0° stāvokli uz pamatnes priekšējās daļas ar vajadzīgo zāģēšanas līniju. Lai zāģētu 45° slīpā leņķī, savietojiet ar to 45° stāvokli. Augšējā aizsarga stāvoklis ir regulējams.

## Lampas iedegšana

### ⚠️ UZMANĪBU:

- Neskatieties tieši uz apgaismojumu vai apgaismojuma avotu.

► **Att.16:** 1. Lampa

Lai tikai ieslēgtu lampu, pavelciet slēdža mēlīti, nepiešpiežot atbloķēšanas sviru. Lai ieslēgtu lampu un darbinātu darbarīku, nospiediet atbloķēšanas sviru un pavelciet slēdža mēlīti, kamēr ir nospiesta atbloķēšanas svira. Kamēr slēdža mēlīte ir nospiesta, lampa ir iedegta. 10-15 sekundes pēc mēlītes atlaišanas lampa izslēdzas.

### PIEZĪME:

- Ar sausu lupatiņu noslaukiet nefūrumus no lampas lēcas. Izvairieties saskrāpēt lampas lēcu, jo tādējādi tiek samazināts apgaismojums.
- Lai notīrītu lampas lēcu, nelietojiet benzīnu, šķīdinātāju vai līdzīgas vielas. Izmantojot šādas vielas, sabojāsiēt lēcu.

## Āķis

### ⚠️ UZMANĪBU:

- Vienmēr izņemiet akumulatoru, kad darbarīku nepieciešams pakarināt aiz āķa.
- Nekad nelieciet darbarīku uz āķa lielā augstumā vai uz iespējami nestabilas virsmas.

► **Att.17:** 1. Āķis 2. Aizvērt 3. Atvērt

Āķis ir noderīgs, ja darbarīks ir īslaicīgi jāpakarina. Lai izmantotu āķi, vienkārši to pagrieziet, līdz tas nofiksējas atvērtā stāvoklī.

Kad āķi neizmantojat, vienmēr pagrieziet āķi, līdz tas nofiksējas aizvērtā stāvoklī.

## MONTĀŽA

### ⚠️ UZMANĪBU:

- Pirms darbarīka regulēšanas vai apkopes vienmēr pārliecinieties, ka darbarīks ir izslēgts un akumulatora kasetne ir izņemta.

## Zāģa asmens noņemšana vai uzstādīšana

### ⚠️ UZMANĪBU:

- Pārbaudiet, vai asmens ir uzstādīts tā, ka zāģa zobi ir vērsti augšup pret darbarīka priekšpusi.
- Asmeni uzstādiat vai noņemiet tikai ar Makita uzgriežņu atslēgu.

► **Att.18:** 1. Sešstūra atslēga 2. Vārpstas bloķētājs 3. Savilkņi 4. Atskrūvēt

Lai noņemtu asmeni, nospiediet vārpstas bloķētāju tā, lai asmens nevarētu griezties, un ar uzgriežņu atslēgu pulksteņrādītāja virzienā atskrūvējiet seššķautņu skrūvi. Pēc tam izņemiet seššķautņu skrūvi, ārējo atloku un asmeni.

- **Att.19:** 1. Iekšējais atloks 2. Zāga asmens  
3. Ārējais atloks 4. Seššķautņu bultskrūve

Lai uzstādītu asmeni, izpildiet noņemšanas procedūru apgriezta secībā. PĀRBAUDIET, VAI SEŠŠKAUTŅU SKRŪVE IR CIEŠI PIESKRŪVĒTA PRETĒJI PULKSTENRĀDĪTĀJA VIRZIENAM.

Nomainot asmeni, noteikti notīriet arī uzkrājušās zāgu skaidas no augšējā un apakšējā asmens aizsarga, kā aprakstīts sadaļā „Apkope”. Šīs darbības nevar aizvītot apakšējā aizsarga darbības pārbaudi pirms katras ekspluatācijas reizes.

## Darbarīkam ar iekšējo atloku, kas paredzēts zāga asmenim, kam nav atvērums 15,88 mm diametrā

### ▲UZMANĪBU:

- Pārbaudiet, vai iekšējā atloka izcilnis „a”, kas atrodas ārpusē, pilnībā atbilst zāga asmens atvērums „a”. Ja asmeni uzstādīsiet uz nepareizās puses, var rasties bīstama vibrācija.

- **Att.20:** 1. Montāžas ass 2. Iekšējais atloks 3. Zāga asmens 4. Ārējais atloks 5. Seššķautņu bultskrūve

Iekšējam atlokam vienā pusē ir noteikta diametra izcilnis, bet atloka otrā pusē izcilnis ir savādāks diametrs. Izvēlieties pareizo pusi, kurā izcilnis pilnībā atbilst zāga asmens atvērums.

Pēc tam piestipriniet iekšējo atloku uz montāžas vārpstas tā, lai iekšējā atloka izcilņa pareizā puse atrodas ārpusē, pēc tam uzlieciet zāga asmeni un ārējo atloku. SEŠŠKAUTŅU SKRŪVI CIEŠI PIESKRŪVĒJIET PRETĒJI PULKSTENRĀDĪTĀJA VIRZIENAM.

## Darbarīkam ar iekšējo atloku, kas paredzēts zāga asmenim ar atvērumu 15,88 mm diametrā (atkarībā no valsts).

- **Att.21:** 1. Montāžas ass 2. Iekšējais atloks 3. Zāga asmens 4. Ārējais atloks 5. Seššķautņu bultskrūve

- **Att.22:** 1. Montāžas ass 2. Iekšējais atloks 3. Zāga asmens 4. Ārējais atloks 5. Seššķautņu bultskrūve 6. Gredzens

Piestipriniet iekšējo atloku ar nospiēto pusi uz ārpusi pie montāžas vārpstas, pēc tam uzlieciet zāga asmeni (ja nepieciešams, ar piestiprinātu gredzenu), ārējo atloku un seššķautņu skrūvi. SEŠŠKAUTŅU SKRŪVI CIEŠI PIESKRŪVĒJIET PRETĒJI PULKSTENRĀDĪTĀJA VIRZIENAM.

### ▲BRĪDINĀJUMS:

- Pirms asmens uzstādīšanas uz vārpstas vienmēr pārbaudiet, vai starp iekšējo un ārējo atloku ir uzstādīts pareizais gredzens izmantojamā asmens vārpstas caurumam. Nepareiza vārpstas cauruma gredzena izmantošana dēļ asmeni var piestiprināt nepareizi, un asmens var kustēties, radot spēcīgu vibrāciju, kas var izraisīt kontroles zudumu darbības laikā un nopietnus ievainojumus.

## Sešstūra atslēgas uzglabāšana

- **Att.23:** 1. Sešstūra atslēga

Kad sešstūra atslēga netiek lietota, glabājiet to, kā parādīts zīmējumā, lai to nepazaudētu.

## Putekļsūcēja pievienošana

(Papildpiederums dažās valstīs)

- **Att.24:** 1. Putekļsūcēja uzgalis 2. Skrūve 3. Svira

- **Att.25:** 1. Putekļsūcējs 2. Šļūtene

Kad vēlaties veikt tīru zāgēšanas darbu, pievienojiet Makita putekļsūcēju savam darbarīkam.

Ar skrūvi pie darbarīka pieskrūvējiet putekļsūcēja uzgali. Tad pie putekļsūcēja uzgala pievienojiet putekļsūcēju, kā parādīts zīmējumā.

Darbarīkam bez standartaprīkojumā ietverta putekļsūcēja uzgala nomainiet uz apakšējā aizsarga nostiprināto sviru pret sviru, kas tiek nodrošināta kopā ar putekļsūcēja uzgali (papildpiederums), vienlaikus uzstādot putekļsūcēja uzgali. Pretējā gadījumā nevarēsiet veikt zāgēšanu, jo putekļsūcēja uzgalis kavēs apakšējā aizsarga kustību.

## EKSPLOATĀCIJA

### ▲UZMANĪBU:

- Rūpējieties, lai darbarīks uzmanīgi virzītos uz priekšu. Ja darbarīku spēcīgi spiedīsiet vai grozīsiet, motors var pārkarst un iespējams radīt bīstamu atsitieni, kas var izraisīt nopietnus ievainojumus.
- Vienmēr izmantojiet gan priekšējo, gan aizmugurējo rokturi, lai darbības laikā turētu darbarīku.

- **Att.26**

Darbarīku turiet cieši. Darbarīks ir aprīkots gan ar priekšējo, gan aizmugurējo rokturi. Lai būtu vislabākais satvēriens, lietojiet abus. Ja ar abām rokām turat zāgi, tās nav iespējams savainot ar asmeni. Uzstādiet pamatni uz apstrādājamā materiāla, lai varētu zāgēt, asmenim nepieskaroties. Tad ieslēdziet darbarīku un nogaidiet, kamēr asmens darbojas ar pilnu jaudu. Tagad darbarīku vienkārši virziet pāri apstrādājamā materiāla virsmai, turot to līdzīgi un pārvietojot uz priekšu vienmērīgi, kamēr materiāls ir pārzāgēts.

Lai zāgējuma vieta būtu nevainojama, zāgējuma līniju saglabājiet taisnu un ātrumu - vienmērīgu. Ja zāģis nezāģē jūsu paredzētās līnijas vietā, nemēģiniet darbarīku pagriezt vai ar spēku atstumt atpakaļ uz zāģēšanas līnijas. Šādi rīkojoties, asmens var iestrēgt, kā arī var rasties bīstams atsitieni un varat gūt nopietnus ievainojumus. Atlaidiet slēdzi, nogaidiet, kamēr asmens pārstāj darboties, tad izņemiet darbarīku no zāģējuma. Uzstādiet to uz jaunas zāģējuma līnijas un sāciet zāģēt vēlreiz. Centieties izvairīties no tādas zāģa pozīcijas, kad no zāģa izmestās skaidas un putekļi ir vērsti pret operatoru. Lai izvairītos no savainojumiem, valkājiet acu aizsargu.

## Garenfrēzēšanas ierobežotājs (vadotnes lineāls) (papildpiederums)

- **Att.27:** 1. Spīlējuma skrūve 2. Garenzāģēšanas ierobežotājs (vadotnes lineāls)

Parocīgs garenzāģēšanas ierobežotājs ļauj zāģēt ļoti precīzi. Vienkārši pabīdiat garenzāģēšanas ierobežotāju cieši klāt apstrādājamā materiāla malai un nostipriniet to paredzētajā vietā ar pamatnes priekšējā daļā esošo spīlējuma skrūvi. Tas ļauj arī zāģēt atkārtoti vienādā platumā.

## APKOPE

### ⚠UZMANĪBU:

- Pirms darbarīka regulēšanas vai apkopes vienmēr pārliecinieties, ka darbarīks ir izslēgts un akumulatora kasetne ir izņemta.
- **Notīriet arī uzkrājušās zāģu skaidas no augšējā un apakšējā asmens aizsarga, jo tās var traucēt apakšējās aizsargsistēmas darbību.** Netīra aizsargsistēma var ierobežot pareizu darbību, kas var izraisīt nopietnus ievainojumus. Visefektīvāk šo tīrīšanu ir veikt ar saspiestu gaisu. **Ja zāģa skaidas tiek izpūstas no aizsargiem, noteikti izmantojiet piemērotu acu un elpošanas aizsardzību.**
- Nekad neizmantojiet gāzoliņu, benzīnu, atšķaidītāju, spirtu vai līdzīgus šķīdumus. Tas var radīt izbalēšanu, deformāciju vai plaisas.

## Regulēšana precīzai 0° un 45° zāģēšanai (vertikālā un 45° zāģēšana)

- **Att.28:** 1. Regulēšanas skrūve 45° leņķim  
2. Regulēšanas skrūve 0°

- **Att.29:** 1. Leņķmērs

Šis iestatījums ir veikts rūpnīcā. Taču, ja tas ir izslēgts, ar seššķautņu uzgriežņu atslēgu noregulējiet regulēšanas skrūves, ar leņķmēru, lekalu, u.c. pārbaudot 0° vai 45° asmeni. Lai noregulētu 45° leņķi, izmantojiet 45° leņķa aizturi.

## Slīpuma virzītāja regulēšana

- **Att.30:** 1. Slīpuma virzītājs 2. Skrūve 3. Vadītka

Slīpuma virzītājs ir noregulēts rūpnīcā. Taču, ja tas ir izslēgts, noregulējiet to šādā procedūrā. Lai noregulētu slīpuma virzītāju, atskrūvējiet divas skrūves. Uz slīpuma virzītāja noregulējiet 0° līniju, kad virzītājs atrodas uz pamatnes un pamatne ir iestafta 0° leņķī.

Lai saglabātu produkta DROŠU un UZTICAMU darbību, remontdarbus, apkopi un regulēšanu uzticiet veikt tikai Makita pilnvarotam apkopes centram un vienmēr izmantojiet tikai Makita rezerves daļas.

## PAPILDU PIEDERUMI

### ⚠UZMANĪBU:

- Šādi piederumi un rīki tiek ieteikti lietošanai ar šajā pamācībā aprakstīto Makita instrumentu. Jebkādu citu piederumu un rīku izmantošana var radīt traumu briesmas. Piederumu vai rīku izmantojiet tikai tā paredzētajam mērķim.

Ja jums vajadzīga palīdzība vai precīzāka informācija par šiem piederumiem, vērsieties savā tuvākajā Makita apkopes centrā.

- Zāģa asmeņi
- Garenzāģēšanas ierobežotājs (vadotnes lineāls)
- Virzošā sliede
- Virzošās sliedes adaptors
- Lineāla stienis
- Putekšsūcēja uzgalis
- Seššķautņu uzgriežņu atslēga
- Makita oriģinālais akumulators un lādētājs

### PIEZĪME:

- Daži sarakstā norādītie izstrādājumi var būt iekļauti instrumenta komplektācijā kā standarta piederumi. Tie dažādās valstīs var būt atšķirīgi.

## SPECIFIKACIJOS

Modelis		DHS680
Pjovimo disko skersmuo		165 mm
Didž. pjovimo gylis	0° kampu	57 mm
	45° kampu	41 mm
	50° kampu	37 mm
Greitis be apkrovos		5 000 min <sup>-1</sup>
Bendras ilgis		350 mm
Neto svoris		3,0 - 3,3 kg
Nominali įtampa		Nuol. sr. 18 V

- Atlikame tęstinus tyrimus ir nuolat tobuliname savo gaminius, todėl čia pateikiamos specifikacijos gali būti keičiamos be įspėjimo.
- Skirtingose šalyse specifikacijos gali skirtis.
- Svoris gali priklausyti nuo priedo (-ų), įskaitant akumulatoriaus kasetę. Lengviausias ir sunkiausias deriniai pagal EPTA 2014 m. sausio mėn. procedūrą yra parodyti lentelėje.

## Tinkama akumulatoriaus kasetė ir (arba) įkroviklis

Akumulatoriaus kasetė	BL1815N / BL1820 / BL1820B / BL1830 / BL1830B / BL1840 / BL1840B / BL1850 / BL1850B / BL1860B
Įkroviklis	DC18RC / DC18RD / DC18RE / DC18SD / DC18SE / DC18SF

- Atsižvelgiant į gyvenamosios vietos regioną, kai kurios pirmiau nurodytos akumulatoriaus kasetės ir įkrovikliai gali būti neprieinami.

**⚠️ ĮSPĖJIMAS:** Naudokite tik akumulatoriaus kasetes ir įkroviklius, kurie nurodyti anksčiau. Naudojant bet kurias kitas akumulatoriaus kasetes ir įkroviklius, gali kilti sužeidimo ir gaisro pavojus.

## Numatytoji paskirtis

Šis įrankis skirtas tiesiems ir nuožambiams pjūviams įvairiais kampais išilgai ir skersai pjauti, įrankiu tvirtai spaudžiant ruošinį. Naudojant tinkamus originalius „Makita“ pjovimo diskus, taip pat galima pjauti ir kitas medžiagas.

## Triukšmas

Tipiškas A svertinis triukšmo lygis nustatytas pagal EN62841:

- Garso slėgio lygis ( $L_{pA}$ ): 94 dB (A)
- Garso galios lygis ( $L_{WA}$ ): 105 dB (A)
- Paklaida (K): 3 dB (A)

**Dėvėkite ausų apsaugas**

## Vibracija

Vibracijos bendroji vertė (trijų ašių vektorinė suma) nustatyta pagal EN62841:

- Darbo režimas: medžio pjovimas
- Vibracijos emisija ( $a_{hW}$ ): 2,5 m/s<sup>2</sup> arba mažiau
- Paklaida (K): 1,5 m/s<sup>2</sup>

**PASTABA:** Paskelbtasis vibracijos emisijos dydis nustatytas pagal standartinį testavimo metodą ir jį galima naudoti vienam įrankiui palyginti su kitu.

**PASTABA:** Paskelbtasis vibracijos emisijos dydis taip pat gali būti naudojamas preliminariai įvertinti vibracijos poveikį.

**⚠️ ĮSPĖJIMAS:** Faktiškai naudojant elektrinį įrankį, keliamos vibracijos dydis gali skirtis nuo paskelbtojo dydžio, priklausomai nuo būdų, kuriais yra naudojamas šis įrankis.

**⚠️ ĮSPĖJIMAS:** Siekiant apsaugoti operatorių, būtinai įvertinkite saugos priemones, remdamiesi vibracijos poveikio įvertinimu esant faktinėms naudojimo sąlygoms (atsižvelgdami į visas darbo ciklo dalis, pavyzdžiui, ne tik kiek laiko įrankis veikia, bet ir kiek kartų jis yra išjungiamas bei kai jis veikia be apkrovų).

## EB atitikties deklaracija

## Tik Europos šalims

EB atitikties deklaracija yra pridedama kaip šio instrukcijų vadovo A priedas.

## Bendrieji įspėjimai dirbant elektriniais įrankiais

**⚠️ ĮSPĖJIMAS:** Perskaitykite visus saugos įspėjimus, instrukcijas, iliustracijas ir techninius duomenis, pateiktus kartu su šiuo elektriniu įrankiu. Nesilaikant visų toliau išvardytų instrukcijų galima patirti elektros smūgį, gali kilti gaisras ir (arba) galima sunkiai susižaloti.

# Išsaugokite visus įspėjimus ir instrukcijas, kad galėtumėte jas peržiūrėti ateityje.

Terminas „elektrinis įrankis“ pateiktuose įspėjimuose reiškia į maitinimo tinklą jungiamą (laidinį) elektrinį įrankį arba akumulatoriaus maitinamą (belaidį) elektrinį įrankį.

## Įspėjimai dėl akumulatorinio diskinio pjūklo saugos

### Pjovimo darbų tvarka

1. **⚠️ PAVOJUS:** rankas laikykite kuo toliau nuo pjovimo vietos ir geležtės. Kitą ranką laikykite ant pagalbinės rankenos arba variklio korpuso. Jei pjūklą laikysite abiem rankomis, geležtė negalės jų įpjauti.
2. **Nekiškite rankų po ruošiniu.** Po ruošiniu apsauginis įtaisas negali apsaugoti jūsų nuo geležtės.
3. **Pjovimo gylį sureguliuokite pagal ruošinio storį.** Po ruošiniu turi matytis mažiau nei vienas visas geležtės dantis.
4. **Pjaudami ruošinio jokiū būdu nelaikykite rankose ar tarp kojų.** Ruošinį pritvirtinkite prie stabiliaus darbastalio. Labai svarbu tinkamai paremti ruošinį, kad kiltų kuo mažiau pavojų kūniui, kad nelinktų diskas ir kad neprarastumėte kontrolės.

### ► Pav.1

5. **Atlikdami darbus, kurių metu tvirtinimo detalė gali paliesti paslėptus laidus, laikykite pjovimo įrankį tik už izoliuotų, laikyti skirtų paviršių.** Jei tvirtinimo detalės palies laidą su įtampa, elektrinio įrankio metalinėmis dalimis taip pat gali imti tekėti srovė, todėl operatorius gali patirti elektros šoką.
6. **Darydami prapjovimo darbus, visuomet naudokite prapjovos kreiptuvą arba tiesią krašto kreipiamąją.** Taip pjūvis bus tikslesnis ir sumažės tikimybė, kad geležtė užstrigs ruošinyje.
7. **Diskus naudokite tik su tinkamo dydžio ir formos (deimantinėmis ar apvaliomis) angomis.** Diskai, kurie netinka montavimo pjūkle įtaisams, slinks nuo centro į šalį, todėl nesuvaldysite įrankio.
8. **Niekada nenaudokite apgadintų arba netinkamų geležtės poveržlių arba varžto.** Geležtės poveržlės ir varžtai specialiai pagaminti šiam pjūklui, kad jis būtų optimaliai našus ir saugus.

### Atatrankos priežastys ir su ja susiję įspėjimai

- atatranka yra staigi reakcija į pjūklo disko įstrigimą, sulinkimą ar išsiderinimą, dėl kurių nevaldomas pjūklas pakyla ir iššoka iš ruošinio operatoriaus link;
- jei diskas įstringa arba smarkiai sulinksta užsidarant įpjovai, diskas stringa, o variklio reakcija staigiai nukreipia įrankį operatoriaus link;
- Jei geležtė susisuka arba išsiderina įpjovoje, galinėje geležtės briaunoje esantys dantukai gali įlįsti į medienos paviršių ir todėl geležtė iššoks iš įpjovos operatoriaus link.

Atatranka yra piktnaudžiavimo pjūklui ir (arba) netinkamų darbo procedūrų ar sąlygų rezultatas, jos galima išvengti vadovaujantis toliau nurodytomis atsargumo priemonėmis.

1. **Tvirtai laikykite pjūklą abiem rankomis, rankas laikykite taip, kad jos atlaikytų atatrankos jėgą. Stovėkite bet kurioje geležtės pusėje, bet ne vienoje linijoje su ja.** Dėl atatrankos pjūklas gali atšokti atgal, bet operatorius gali valdyti atatrankos jėgą, jei imasi reikiamų atsargumo priemonių.
2. **Jei geležtė sulinksta arba pjovimas pertraukiamas dėl kitos priežasties, atleiskite gaiduką ir nejudinkite pjūklo ruošinyje, kol geležtė visiškai nesustos.** Jokiū būdu nemėginkite ištraukti pjūklo iš ruošinio arba traukti pjūklo atgal, kol geležtė juda, antraip įvyks atatranka. Apžiūrėkite ir imkitės priemonių geležtės sulinkimo priežastčiai pašalinti.
3. **Įstatydami pjūklą atgal į ruošinį, pjūklo diską įstatykite įpjovos centre taip, kad pjūklo dantukai nebūtų įstrigę ruošinyje.** Jei pjūklo diskas linksta, jis gali pakilti arba iššokti iš ruošinio vėl įjungus pjūklą.
4. **Didelės plokštės paremkite ir taip sumažinkite pavojų, kad geležtė bus suspausta ir iššoks.** Didelės plokštės linksta dėl savo pačių svorio. Atramas reikia dėti po plokšte iš abiejų pusių, netoli pjovimo linijos ir greta plokštės briaunos.

### ► Pav.2

### ► Pav.3

5. **Nenaudokite atšipusių ar sugadintų geležčių.** Naudojant nepagaląstas arba netinkamai nustatytas geležtes gaunama siaura įpjova, dėl to padidėja trintis, linksta geležtė ir kyla atatranka.
  6. **Prieš atliekant pjūvį, geležtės gylis ir nuožulnumo reguliavimo-fiksavimo svirtys turi būti gerai pritvirtintos ir priveržtos.** Jei geležtės reguliavimas pasikeis pjaunant, geležtė gali sulinkti ar iššokti.
  7. **Būkite ypač atsargūs, kai darote pjūvius sienose arba kitose aklinese vietose.** Išsikūšusi geležtė gali pataikyti į objektus ir nuo jų atšokti.
  8. **VISUOMET tvirtai laikykite įrankį abiem rankomis. NEDĖKITE rankų, kojų ar kitos kūno dalies po įrankio pagrindu ar už pjūklo, ypač darydami kryžminius pjūvius.** Įvykus atatrankai, pjūklas gali atšokti atgal per jūsų ranką ir sunkiai sužaloti.
- Pav.4
9. **Nedirbkite pjūklui per jėgą. Stumkite pjūklą tokiu greičiu, kad geležtė pjautų nelėtėdama.** Spaudžiant pjūklą, galima nelėgūs pjūviai, tikslumo sumažėjimas ir atatranka.

### Apsauginio skydo veikimas

1. **Prieš kiekvieną naudojimą patikrinkite, ar apatinis apsauginis įtaisas tinkamai užsidaro. Nenaudokite pjūklo, jei apatinis apsauginis įtaisas nejuda laisvai ir neužsidaro iš karto. Jokiū būdu neįtvirtinkite ir nepririškite apatinio apsauginio įtaiso atviroje padėtyje.** Jei pjūklas netyčia išmetamas, apatinis apsauginis įtaisas gali sulinkti. Pakelkite apatinį apsauginį įtaisą atitraukiant rankena ir įsitikinkite, ar jis laisvai juda ir neliečia geležtės ar kitos dalies, esant bet kokiam pjūvio kampui ir gyliai.

2. **Patikrinkite apatinio apsauginio įtaiso spyruoklės veikimą.** Jei apsauginis įtaisas ir spyruoklė neveikia tinkamai, prieš naudojimą juos reikia sutvarkyti. Apatinis apsauginis įtaisas gali veikti lėtai dėl pažeistų dalių, lipnių nuosėdų ar susikaupusių nešvarumų.
3. **Apatinį apsauginį įtaisą galima įtraukti ranka, bet tik atliekant specialius pjovimo darbus, pvz., gilius pjūvius arba sudėtinčius pjūvius.** Nuleiskite apatinį apsauginį įtaisą įtraukimo rankena, o kai tik diskas įpjaua medžiagą, paleiskite apatinį apsauginį įtaisą. Darant kitus pjūvius, apatinė apsauga turi veikti automatiškai.
4. **Prieš dėdami pjūklą ant suolo ar grindų, patikrinkite, ar apatinis apsaugos įtaisas uždengia geležtę.** Neapsaugota iš inercijos judanti geležtė privers pjūklą važiuoti atgal, pjaunant viską savo kelyje. Atkreipkite dėmesį į laiką, kurio reikia, kad geležtė sustotų atleidus jungiklį.
5. **Norėdami patikrinti apatinį apsaugos įtaisą, atidarykite apatinį apsaugos įtaisą ranka, tuomet atleiskite ir stebėkite, kaip jis užsidaro.** Taip pat patikrinkite, ar atitraukimo rankenėlė neličia įrankio korpuso. Palikti diską atvirą LABAI PAVOJINGA, galima sunkiai susižaloti.

#### Papildomi įspėjimai dėl saugos

1. **Būkite ypač budrūs, kai pjaunate drėgną medieną, suslėgtus rąstus arba medį su šakomis.** Vienodu greičiu stumkite įrankį pirmyn, nemažindami pjūklo greičio, kad neperkaistų pjūklo galiukai.
2. **Nemėginkite nuimti atpjautos medžiagos geležtei judant.** Prieš imdami nupjautą medžiagą, palaukite, kol geležtė sustos. Išjungus įrankį, geležtės dar sukasi iš inercijos.
3. **Nepjaukite vinių.** Prieš pjaudami apžiūrėkite medieną ir išimkite visas vinis.
4. **Platesnę pjūklo pagrindo dalį dėkite ant tos ruošinio dalies, kuri gerai paremta, o ne ant tos, kuri nukris baigus pjauti.** Jei ruošinys trumpas arba smulkus, suspauskite jį spaustuvais. **NEMĖGINKITE LAIKYTI TRUMPO RUOŠINIO RANKA!**

#### ► Pav.5

5. **Prieš pastatydami įrankį, kai baigėte pjauti, įsitikinkite, ar apatinis apsauginis įtaisas užsidarė, o geležtė visiškai sustojė.**
6. **Nemėginkite pjauti apskritu pjūklu apvertę jį spaustuvuose.** Tai ypač pavojinga, todėl gali įvykti sunkus nelaimingas atsitikimas.

#### ► Pav.6

7. **Kai kuriose medžiagose esama cheminių medžiagų, kurios gali būti nuodingos.** Saugokitės, kad neįkvėptumėte dulkių ir nesiliestumėte oda. Laikykitės medžiagų tiekėjo saugos duomenų.
8. **Nestabdykite spausdami pjūklo geležtę iš šono.**
9. **Nenaudokite šlifuojamųjų diskų.**
10. **Naudokite tik tokio skersmens pjovimo diską, koks yra nurodytas ant įrankio arba naudojimo instrukcijoje.** Naudojant netinkamo dydžio geležtę, ji gali būti netinkamai apsaugota arba netinkamai veiks apsauginis jos gaubtas, todėl galima sunkiai susižeisti.

11. **Geležtė turi būti aštri ir švari.** Ant geležtės esantys sukietėję sakai ar derva sulėtina pjovimą ir didina atatrunkos pavojų. Valykite geležtę pirmiausia išimdami ją iš įrankio, tada nuvalydami saukų ir dervos šalinimo priemone, karštu vandeniu ar žibalu. Nenaudokite benzino.
12. **Naudodami įrankį, užsidėkite kaukę, saugančią nuo dulkių, ir klausos apsaugines priemones.**
13. **Visada naudokite pjaunamai medžiagai tinkamą pjūklo diską.**
14. **Naudokite tik tuos pjūklo diskus, ant kurių nurodytas sukimosi greitis prilygsta arba viršija ant įrankio nurodytą sukimosi greitį.**
15. **(Tik Europos šalims)** Naudokite tik pjovimo diskus, kurie atitinka EN847-1.

## SAUGOKITE ŠIAS INSTRUKCIJAS.

**⚠ ĮSPĖJIMAS:** NELEISKITE, kad patogumas ir gaminio pažinimas (gyjamas pakartotinai naudojant) susilpnintų griežtą saugos taisyklių, taikytinų šiam gaminiui, laikymąsi. Dėl NETINKAMO NAUDOJIMO arba saugos taisyklių, kurios pateiktos šioje instrukcijoje, nesilaikymo galima rimtai susižeisti.

### Svarbios saugos instrukcijos, taikomos akumuliatoriaus kasetei

1. **Prieš naudodami akumuliatoriaus kasetę, perskaitykite visas instrukcijas ir perspėjimus ant (1) akumuliatorių įkroviklio, (2) akumuliatorių ir (3) akumuliatorių naudojančio gaminio.**
  2. **Neardykite akumuliatoriaus kasetės.**
  3. **Jei įrankio darbo laikas žymiai sutrumpėjo, nedelsdami nutraukite darbą su įrankiu.** Tai gali kelti perkaitimo, nudegimų ar net sprogdimo pavojų.
  4. **Jei elektrolitas pateko į akis, plaukite jas tyru vandeniu ir nedelsdami kreipkitės į gydytoją.** Gali kilti regėjimo praradimo pavojus.
  5. **Neužtrumpinkite akumuliatoriaus kasetės:**
    - (1) **Nelieskite kontaktų degiomis medžiagomis.**
    - (2) **Venkite laikyti akumuliatoriaus kasetę kartu su kitais metaliniais daiktais, pavyzdžiui, vinimis, monetomis ir pan.**
    - (3) **Saugokite akumuliatoriaus kasetę nuo vandens ir lietaus.**
- Trumpasis jungimas akumuliatoriuje gali sukelti stiprią srovę, perkaitimą, galimus nudegimus ar net akumuliatoriaus gedimą.
6. **Nelaikykite įrankio ir akumuliatoriaus kasetės vietose, kur temperatūra gali pasiekti ar viršyti 50 °C.**
  7. **Nedėginkite akumuliatoriaus kasetės, net jei yra stipriai pažeista ar visiškai susidėvėjusi.** Ugnyje akumuliatoriaus kasetė gali sprogti.
  8. **Saugokite akumuliatorių nuo kritimo ir smūgių.**
  9. **Nenaudokite pažeisto akumuliatoriaus.**



10. **Įdėtoms ličio jonų akumuliatoriams taikomi Pavojingų prekių teisės akto reikalavimai.** Komeracinis transportas, pvz., trečiųjų šalių, prekių vežimo atstovų, turi laikytis specialaus reikalavimo ant pakuotės ir ženklavimo. Norėdami paruošti siųstiną prekę, pasitarkite su pavojingų medžiagų specialistu. Be to, laikykitės galimai išsamesnių nacionalinių reglamentų. Užklijuokite juosta arba padenkite atvirus kontaktus ir supakuokite akumuliatorių taip, kad ji pakuotėje nejudėtų.
11. **Vadovaukitės vietos įstatymais dėl akumuliatorių išmetimo.**
12. **Baterijas naudokite tik su „Makita“ nurodytais gaminiais.** Baterijas įdėjus į netinkamus gaminius gali kilti gaisras, gaminyje pernelyg kaisti, kilti sprogimas arba pratekėti elektrolitas.

## SAUGOKITE ŠIAS INSTRUKCIJAS.

**▲PERSPĖJIMAS:** Naudokite tik originalų „Makita“ akumuliatorių. Neoriginalaus „Makita“ arba pakeisto akumuliatoriaus naudojimas gali nulemti gaisrą, asmens sužalojimą ir pažeidimą. Tai taip pat panaikina „Makita“ suteikiamą „Makita“ įrankio ir įkroviklio garantiją.

## Patarimai, ką daryti, kad akumuliatorius veiktų kuo ilgiau

1. **Pakraukite akumuliatoriaus kasetę prieš jai visiškai išsikraunant.** Visuomet nustokite naudoti įrankį ir pakraukite akumuliatoriaus kasetę, kai pastebite, kad įrankio galia sumažėjo.
2. **Niekada nekraukite iki galo įkrautos akumuliatoriaus kasetės.** Perkraunant trumpėja akumuliatoriaus eksploatacijos laikas.
3. **Akumuliatoriaus kasetę kraukite esant kambario temperatūrai 10 - 40 °C.** Prieš pradėdami krauti, leiskite įkaitusiai akumuliatoriaus kasetei atvėsti.
4. **Įkraukite akumuliatoriaus kasetę, jei jos nenaudojate ilgą laiką (ilgiau nei šešis mėnesius).**

## VEIKIMO APRAŠYMAS

### ▲PERSPĖJIMAS:

- Prieš reguliuodami įrenginį arba tikrindami jo veikimą visada patikrinkite, ar įrenginys išjungtas, o akumuliatorių kasetė - nuimta.

## Akumuliatoriaus kasetės uždėjimas ir nuėmimas

- **Pav.7:** 1. Mygtukas 2. Raudonas indikatorius 3. Akumuliatoriaus kasetė

### ▲PERSPĖJIMAS:

- Prieš įdėdami arba išimdami akumuliatoriaus kasetę, visada išjunkite įrankį.
- **Įdėdami arba išimdami akumuliatoriaus kasetę, tvirtai laikykite įrankį ir akumuliatoriaus kasetę.** Jeigu įrankį ir akumuliatoriaus kasetę laikysite netvirtai, jie gali išskysti iš jūsų rankų ir sąlygoti įrankio bei akumuliatoriaus kasetės gedimą ir vartotojo sužalojimą.

Jei norite išimti akumuliatoriaus kasetę, ištraukite ją iš įrankio, stumdami mygtuką, esantį kasetės priekyje. Jeigu norite įdėti akumuliatoriaus kasetę, sutapdinkite liežuvelį ant akumuliatoriaus kasetės su grioveliu korpuso ir įstumkite į skirtą vietą. Įdėkite iki galo, kol spragtelėdama užsifiksuos. Jeigu matote raudoną indikatorius viršutinėje mygtuko pusėje, ji nėra visiškai užfiksuota.

### ▲PERSPĖJIMAS:

- Akumuliatoriaus kasetę visada įkiškite iki galo, kol nebematysite raudono indikatorius. Priešingu atveju ji gali atsitiktinai iškristi iš įrankio, sužeisti jus ar aplinkinius.
- Nekiškite akumuliatoriaus kasetės jėga. Jeigu kasetė sunkiai lenda, ji kišama netinkamai.

### PASTABA:

- Jeigu akumuliatoriaus kasetės nepavyksta lengvai išimti, pastumkite ją iš priešingos mygtuko pusės ir ištraukite ją.

## Likusios akumuliatoriaus galios rodymas

### Tik akumuliatoriaus kasetėms su indikatoriumi

- **Pav.8:** 1. Indikatorius lemputės 2. Tikrinimo mygtukas

Paspauskite akumuliatoriaus kasetės tikrinimo mygtuką, kad būtų rodoma likusi akumuliatoriaus energija. Maždaug trims sekundėms užsidegs indikatorius lemputės.

Indikatorių lemputės			Likusi galia
Šviečia	Nešviečia	Blyksi	
			75 - 100 %
			50 - 75 %
			25 - 50 %
			0 - 25 %
			Įkraukite akumuliatorių.
			Galimai įvyko akumuliatoriaus veikimo triktis.

**PASTABA:** Rodmuo gali šiek tiek skirtis nuo faktinės energijos lygio – tai priklauso nuo naudojimo sąlygų ir aplinkos temperatūros.

## Jungiklio veikimas

### ▲ PERSPĖJIMAS:

- Prieš įdėdami akumuliatoriaus kasetę į įrankį, visuomet patikrinkite, ar gaiduko mygtukas gerai veikia, o atleistas grįžta į išjungimo padėtį „OFF“.
- Negalima stipriai spausti gaiduko, nenuspaudus atlaisvinimo svirtelės. Galite sugadinti jungiklį.

#### ► Pav.9: 1. Gaidukas 2. Atlaisvinimo svirtelė

Kad gaidukas nebūtų atsitiktinai nuspaustas, yra atlaisvinimo svirtelė. Norėdami įjungti įrankį, pastumkite atlaisvinimo svirtelę ir nuspauskite gaiduką. Norėdami išjungti, atleiskite gaiduką.

### ▲ ĮSPĖJIMAS:

- Jūsų pačių saugumui šiame įrankyje įrengta atlaisvinimo svirtelė, kuri neleidžia netyčia įjungti įrankio. NIEKADA nenaudokite veikiančio įrankio, jeigu nuspaudėte tik gaiduką, nenuspaudę atlaisvinimo svirtelės. PRIEŠ pradėdami vėl naudoti įrankį, atiduokite jį suremontuoti į „MAKITA“ techninės priežiūros centrą.
- NIEKADA neužkljuokite lipnia juostele ir nepanaikinkite atlaisvinimo svirtelės paskirties bei funkcijos.

## Likusios akumuliatoriaus galios rodymas

### Priklausomai nuo šalies

#### ► Pav.10: 1. Akumuliatoriaus indikatorius

Įjungus įrankį, akumuliatoriaus indikatorius rodo likusią akumuliatoriaus galią.

Toliau esančioje lentelėje pavaizduoti likusios akumuliatoriaus galios rodmensys.

Akumuliatoriaus indikatorius būseną	Likusis akumuliatoriaus galia
: „ON“ (įjungta)     : „OFF“ (išjungta)     : Žybcioja	
	50 % - 100 %
	20 % - 50 %
	0 % - 20 %
	Maitinimo elemento įkrovimas

## Automatinio greičio keitimo funkcija

#### ► Pav.11: 1. Režimo indikatorius

Režimo indikatorius būseną	Darbo režimas
	Didelio greičio režimas
	Didelio sukimo momento režimas

Šis įrankis turi „didelio greičio režimą“ ir „didelio sukimo momento režimą“. Jis automatiškai perjungia darbo režimą atsižvelgiant į darbo apkrovą. Kai dirbant užsidega režimo kontrolinė lemputė, įrankis veikia didelio sukimo momento režimu.

## Įrankio / akumuliatoriaus apsaugos sistema

Įrankyje įrengta įrankio / akumuliatoriaus apsaugos sistema. Ši sistema automatiškai atjungia variklio maitinimą, kad įrankis ir akumuliatorius ilgiau tarnautų. Dirbant įrankis automatiškai išsijungs esant vienai iš toliau nurodytų įrankio arba akumuliatoriaus darbo sąlygų. Esant tam tikroms sąlygoms užsidega indikatorius.

## Apsauga nuo perkrovos

Kai įrankis naudojamas taip, kad neįprastai padidėja elektros srovė, įrankis automatiškai išsijungia be jokių indikatorių įspėjimų. Tokiu atveju išjunkite įrankį ir nutraukite darbą, dėl kurio kilo įrankio perkrova. Po to įjunkite įrankį ir vėl tęskite darbą.

## Įrankio apsauga nuo perkaitimo

Įrankiu perkaitus, jis automatiškai išsijungia ir akumuliatoriaus indikatorius rodo šią būseną. Tokiu atveju palaukite, kol įrankis atvės, paskui vėl įjunkite įrankį.

Akumuliatoriaus indikatorius	: „ON“ (Įjungta)	: „OFF“ (Išjungta)	: Žybcioja
	Įrankis perkaito		

## Apsauginio stabdiklio išjungimas

Kelis kartus suveikus apsaugos sistemai, įrankis užblokuojamas, o akumuliatoriaus indikatorius rodo šią būseną.

Akumuliatoriaus indikatorius	: „ON“ (Įjungta)	: „OFF“ (Išjungta)	: Žybcioja
	Veikia apsauginis stabdiklis		

Tokiu atveju įrankis nepasileidžia net jį išjungus ir vėl įjungus. Norėdami išjungti apsauginį stabdiklį, išimkite akumuliatorių, dėkite jį akumuliatoriaus kroviklį ir palaukite, kol jis bus įkrautas.

## Pjovimo gylio reguliavimas

### ▲ PERSPĖJIMAS:

- Nustatę pjovimo gylį, visada saugiai užtvirtinkite svirtelę.

► **Pav.12:** 1. Svirtelė 2. Gylio kreiptuvas

Atlaisvinkite ant galinės rankenos šono esančią svirtelę ir slinkite pagrindą aukštyn arba žemyn. Nustatę norimą pjovimo gylį, užtvirtinkite pagrindą, užverždami svirtelę. Norėdami pajauti švariau ir saugiau, nustatykite tokį pjovimo gylį, kad į ruošinį įeitų tik vienas disko dantis. Tinkamo pjovimo gylio pasirinkimas padeda sumažinti galimą ATATRANKOS pavojų, dėl kurios galima susižeisti.

## Įstrižųjų pjūvių darymas

► **Pav.13:** 1. Priekinė svirtelė

Atlaisvinkite priekinę svirtelę. Tinkamai pakreipę, nustatykite norimą kampą (0°–50°), po to tvirtai užveržkite priekinę svirtelę.

► **Pav.14:** 1. Stabdiklis

Norėdami nustatyti tikslų 45° pjovimo kampą, naudokite 45° kampo stabdiklį. Norėdami atlikti įstrižuosius pjūvius (0°–45°), iki galo pasukite stabdiklį prieš laikrodžio rodyklę, o jeigu norite atlikti 0°–50° įstrižuosius pjūvius, sukite jį pagal laikrodžio rodyklę.

## Nutaikymas

► **Pav.15:** 1. Pjovimo linija (0° padėtis) 2. Pjovimo linija (45° padėtis) 3. Varžtas

Atlikdami tiesius pjūvius, sulygiuokite pagrindo priekyje pažymėtą „0°“ padėtį su pjovimo linija. Atlikdami įstrižus 45° pjūvius, su pjovimo linija su lygiuokite „45°“ padėtį. Viršutinio kreiptuvo padėtį galima reguliuoti.

## Lemputės įjungimas

### ▲ PERSPĖJIMAS:

- Nežiūrėkite tiesiai į lemputės šviesą.

► **Pav.16:** 1. Lempa

Jeigu norite įjungti tik lemputę, patraukite gaiduką, nespausdami atlaisvinimo svirtelės. Jeigu norite įjungti lemputę ir įrankį, paspauskite atlaisvinimo svirtelę ir, laikydamis nuspaudę atlaisvinimo svirtelę, nuspauskite gaiduką. Lemputė švies tol, kol bus nuspaustas gaidukas. Atleidus gaiduką, lemputė užgęsta po 10–15 sekundžių.

### PASTABA:

- Nešvarumus nuo lempos lešio valykite sausu audiniu. Stenkitės nesubraižyti lempos lešio, kad nepablogėtų apšvietimas.
- Lemputės lešiams valyti nenaudokite benzino, skiediklio arba panašių priemonių. Jeigu naudosite šias medžiagas, sugadinsite lešius.

## Kablys

### ▲ PERSPĖJIMAS:

- Prieš pakabindami įrankį ant kabliuko, visada ištraukite iš jo akumuliatorių.
- Niekada nekabinkite įrankio labai aukštai arba nedėkite ant paviršiaus, kuris gali būti nestabilus.

► **Pav.17:** 1. Kablys 2. Uždarytas 3. Atidarytas

Kabliukas yra patogus, kai reikia trumpam pakabinti įrankį. Norėdami naudoti kabliuką, tiesiog atlenkite jį, sukdami tol, kol jis tinkamai užsifiksuos. Jeigu kabliuko nenaudojate, užlenkite jį atgal į fiksavimo padėtį.

## SURINKIMAS

### ▲ PERSPĖJIMAS:

- Prieš darydami ką nors įrankiui visada patikrinkite, ar įrenginys išjungtas, o akumuliatorių kasetė - nuimta.

## Pjovimo disko sumontavimas arba nuėmimas

### ▲ PERSPĖJIMAS:

- Patikrinkite, ar sumontuotos geležtės dantys įrankio priekyje nukreipti aukštyn.
- Pjovimo disko sumontavimui arba nuėmimui naudokite tik „MAKITA“ veržliaraktį.

► **Pav.18:** 1. Šešiabriaunis veržliaraktis 2. Ašies fiksatorius 3. Priveržkite 4. Atleisti

Norėdami nuimti diską, iki galo nuspauskite veleno fiksatorių, kad diskas negalėtų sukis ir, naudodami veržliaraktį, atsukite šešiakampį varžtą, sukdami pagal laikrodžio rodyklę. Po to ištraukite šešiakampį varžtą, nuimkite išorinę tarpinę ir diską.

- **Pav.19:** 1. Vidinis kraštas 2. Pjovimo diskas  
3. Išorinė tarpinė 4. Šešiakampis varžtas

Jei norite sumontuoti diską, vykdykite nuėmimo procedūrą atvirkščia tvarka. PATIKRINKITE, AR SAUGIAI UŽVERŽĖTE ŠEŠIAKAMPĮ VARŽTĄ, SUKDAMI PRIEŠ LAIKRODŽIO RODYKLĘ.

Keisdami diską, būtinai išvalykite ir viršutiniame bei apatiniame apsauginiuose disko gaubtuose susikauptusias pjuvenas, kaip nurodyta techninės priežiūros skyriuje. Visgi prieš kiekvieną naudojimą būtinai patikrinkite, ar tinkamai veikia apatinis apsauginis gaubtas.

## Įrankiui su vidine jungė, skirta pjovimo diskui su kitokia nei 15,88 mm skersmens vidine anga

### **▲ PERSPĖJIMAS:**

- Įsitikinkite, kad išorėn nukreipta vidinės jungės iškyša „a“ idealiai atitinka pjovimo disko angą „a“, o sumontavus diską netinkamoje pusėje, gali kilti pavojinga vibracija.

- **Pav.20:** 1. Montavimo velenas 2. Vidinis kraštas 3. Pjovimo diskas 4. Išorinė tarpinė 5. Šešiakampis varžtas

Vidinė jungė vienoje savo pusėje turi vienokio skersmens iškyšą, o kitoje – kitokio skersmens iškyšą.

Pasirinkite tinkamą pusę, kurios iškyša idealiai tinka vidinei pjovimo disko angai.

Tuomet dėkite vidinę jungę ant montavimo veleno taip, kad tinkama vidinės jungės iškyšos pusė būtų nukreipta į išorinę pusę, paskui dėkite pjovimo diską ir išorinę jungę. PATIKRINKITE, AR SAUGIAI UŽVERŽĖTE ŠEŠIAKAMPĮ VARŽTĄ, SUKDAMI PRIEŠ LAIKRODŽIO RODYKLĘ.

## Įrankiui su vidine jungė, skirta pjovimo diskui su 15,88 mm skersmens vidine anga (konkrečiai šaliai)

- **Pav.21:** 1. Montavimo velenas 2. Vidinis kraštas 3. Pjovimo diskas 4. Išorinė tarpinė 5. Šešiakampis varžtas

- **Pav.22:** 1. Montavimo velenas 2. Vidinis kraštas 3. Pjovimo diskas 4. Išorinė tarpinė 5. Šešiakampis varžtas 6. Žiedas

Dėkite vidinę jungę ant montavimo veleno, jos įdubusia pusę nukreipę į išorę, tuomet dėkite pjovimo diską (su pritvirtintu žiedu, jeigu reikia), išorinę jungę ir šešiakampį varžtą.

PATIKRINKITE, AR SAUGIAI UŽVERŽĖTE ŠEŠIAKAMPĮ VARŽTĄ, SUKDAMI PRIEŠ LAIKRODŽIO RODYKLĘ.

### **▲ ĮSPĖJIMAS:**

- Prieš uždėdami diską ant veleno, visada patikrinkite, ar tarp vidinės ir išorinės jungių uždėtas tinkamas pasirinktam darbui žiedas, skirtas disko ašies skylei. Naudojant netinkamo dydžio ašies skylei skirtą žiedą diskas gali būti sumontuotas netinkamai, o tai gali sukelti disko judėjimą ir stiprią vibraciją, todėl galima nesuvaldyti įrankio ir sunkiai susižeisti.

## Šešiabriaunio veržliarakčio laikymas

- **Pav.23:** 1. Šešiabriaunis veržliaraktis

Nenaudojamą šešiabriaunį veržliarakį laikykite taip, kaip parodyta paveikslėlyje, kad nepamestumėte.

## Dulkių siurblio prijungimas

*(Pasirenkamas priedas kai kuriuose šalyse)*

- **Pav.24:** 1. Dulkių surenkamasis antgalis 2. Varžtas 3. Svirtelė

- **Pav.25:** 1. Dulkių siurblys 2. Žarna

Norėdami atlikti švartį pjovimo operaciją, prie šio įrankio prijunkite „Makita“ dulkių siurbį.

Varžtais prie įrankio prisukite dulkių antgalį. Tuomet prie dulkių antgalio prijunkite dulkių siurblio žarną, kaip parodyta paveikslėlyje.

Įrankiui, kurio standartinėje įrangoje nėra dulkių surenkamojo antgalio, montuodami dulkių surenkamąjį antgalį, prie apatinio apsauginio gaubto pritvirtintą svirtį pakeiskite svirtimi, pateikta su dulkių surenkamuoju antgaliu (pasirenkamu priedu). Antraip negalėsite atlikti pjūvio, nes dulkių surenkamasis antgalis trukdys judėti apatiniame apsauginiam gaubtui.

## NAUDOJIMAS

### **▲ PERSPĖJIMAS:**

- Atsargiai tiesiai traukite įrankį į priekį. Traukiant jėga arba sukant įrankį, variklis gali perkaisti, atsirasti pavojinga atatranka, kuri kelia pavojų sunkiai susižeisti.
- Dirbdami visada tvirtai laikykite įrankį už priekinės ir galinės rankenų.

- **Pav.26**

Tvirtai laikykite įrankį. Įrankyje įrengta priekinė ir galinė rankenos. Norėdami tvirtai laikyti įrankį, naudokite abi rankenas. Laikydami pjūklą abiejomis rankomis, negalėsite įsipjauti į disko ašmenis. Padėkite įrankį pagrindu ant ruošinio, kurį pjausite, tačiau disko ašmenys neturi jo liesti. Įjunkite įrankį ir palaukite, kol diskas pradės sukintis visu greičiu. Dabar tiesiog stumkite įrankį ruošinio paviršiumi į priekį, laikydami lygiai ir tolygiai stumdami, kol baigsite pjauti.

Norėdami nupjauti tiksliai, įrankį stumkite tiesiai, vienu greičiu. Jeigu tiesia linija nupjauti nepavyksta, nebandykite pasukti arba jėga grąžinti įrankio į pjovimo liniją. Jeigu bandysite tai padaryti, galite sulenkti geležtę, o dėl to atsiranda atatranka ir kyla pavojus sunkiai susižeisti. Išjunkite jungiklį, palaukite, kol diskas sustos sukintis, tuomet atitraukite įrankį. Sulygiuokite įrankį naujai pjovimo linijai, ir vėl pradėkite pjauti. Pabandykite dirbti tokioje padėtyje, kad išvengtumėte pjūklo išmetamų pjuvenų ir medžio dulkių. Dėvėkite akių apsaugas, kurios apsaugotų nuo sužeidimo.

## Prapjovos kreiptuvas (kreipiamoji liniuotė) (pasirenkamas priedas)

- **Pav.27:** 1. Suveržimo varžtas 2. Prapjovos kreiptuvas (kreipiamoji liniuotė)

Patogus prapjovos kreiptuvas leidžia atlikti labai tikslius tiesius pjūvius. Tiesiog priglauskite prapjovos kreiptuvą prie ruošinio šono ir pagrindo priekyje esančių suveržimo varžtų užtvirtinkite ją tokioje padėtyje. Šis įrenginys taip pat leidžia atlikti vienodo pločio pjūvius.

## TECHINĖ PRIEŽIŪRA

### **▲ PERSPĖJIMAS:**

- Prieš darydami ką nors įrankiui visada patikrinkite, ar įrenginys išjungtas, o akumuliatorių kasetė - nuimta.
- **Išvalykite viršutinį ir apatinį apsauginius diskus, kad juose neliktų susikaupusių pjuvenų, galinčių trukdyti tinkamai veikti apatinei disko apsaugos sistemai.** Nešvari apatinė disko apsaugos sistema gali trukdyti tinkamam darbui, todėl galima sunkiai susižeisti. Norint išvalyti efektyviausiai, reikia naudoti suslėgtą orą. **Pučiant pjuvenas iš apsauginių gaubtų, būtina naudoti tinkamą akių ir kvėpavimo organų apsaugą.**
- Niekada nenaudokite gazolino, benzino, tirpiklio, spirito arba panašių medžiagų. Gali atsirasti išblukimų, deformacijų arba įtrūkimų.

## 0° ir 45° kampo (vertikalaus ir 45° kampo) pjūvio tikslumo nustatymas

- **Pav.28:** 1. Reguliavimo varžtas 45° nustatymui  
2. Reguliavimo varžtas 0° nustatymui

- **Pav.29:** 1. Trikampė liniuotė

Šis nustatymas atliktas gamykloje. Tačiau, jeigu jis neveikia, šešiakampių veržliarakčių paguliuokite reguliavimo varžtus, trikampę liniuotę, kampiniu ar plokščiu įrankiu patikrindami, ar diskas ir pagrindas sudaro 0° arba 45° kampą. Naudokite 45° kampo stabdiklį 45° kampui nustatyti.

## Įstrižojo kreiptuvo reguliavimas

- **Pav.30:** 1. Įstrižasis kreiptuvas 2. Varžtas  
3. Kreiptuvas

Įstrižasis kreiptuvas nustatomas gamykloje. Visgi, jeigu jį reikėtų paguliuoti, tai galite padaryti atlikę toliau nurodytus veiksmus.

Norėdami nustatyti įstrižąjį kreiptuvą, atsukite du varžtus. Nustatę pagrindą 0° kampu, sutapdinkite ant įstrižojo kreiptuvo pažymėtą 0° liniją su žyma, kuri yra ant pagrindo.

Kad gaminys būtų SAUGUS ir PATIKIMAS, jį taisyti, apžiūrėti ar vykdyti bet kokią kitą priežiūrą ar derinimą turi įgaliotasis kompanijos „Makita“ techninės priežiūros centras; reikia naudoti tik kompanijos „Makita“ pagamintas atsargines dalis.

## PASIRENKAMI PRIEDAI

### **▲ PERSPĖJIMAS:**

- Su šiame vadove aprašytu įrenginiu „Makita“ rekomenduojama naudoti tik nurodytus priedus ir papildomus įtaisus. Jeigu bus naudojami kito-šie priedai ar papildomi įtaisai, gali būti sužaloti žmonės. Priedus arba papildomus įtaisus naudokite tik pagal paskirtį.

Jeigu norite daugiau sužinoti apie tuos priedus, kreipkitės į artimiausią „Makita“ techninės priežiūros centrą.

- Pjovimo diskai
- Prapjovos kreiptuvas (kreipiamoji liniuotė)
- Kreiptuvas
- Kreipiamosios juostos adapteris
- Liniuotė
- Dulkių surenkamasis antgalis
- Šešiakampis veržliaraktis
- Originalus „Makita“ akumuliatorius ir kroviklis

### **PASTABA:**

- Kai kurie sąraše esantys priedai gali būti pateikti įrankio pakuotėje kaip standartiniai priedai. Jie įvairiose šalyse gali skirtis.

## TEHNILISED ANDMED

Mudel	DHS680	
Tera läbimõõt	165 mm	
Max löikesügavus	0° nurga juures	57 mm
	45° nurga juures	41 mm
	50° nurga juures	37 mm
Pöörlemissagedus koormuseta	5 000 min <sup>-1</sup>	
Kogupikkus	350 mm	
Netomass	3,0 - 3,3 kg	
Nimipinge	Alalisvool 18 V	

- Meie pideva uuringu- ja arendusprogrammi tõttu võidakse tehnilisi andmeid muuta ilma sellest ette teatamata.
- Tehnilised andmed võivad riigiti erineda.
- Kaal võib erineda olenevalt lisaseadistest, kaasa arvatud akukassetist. Kergetim ja raskeim kombinatsioon EPTA-protseduuri 01/2014 kohaselt on toodud tabelis.

### Sobiv akukassett ja laadija

Akukassett	BL1815N / BL1820 / BL1820B / BL1830 / BL1830B / BL1840 / BL1840B / BL1850 / BL1850B / BL1860B
Laadija	DC18RC / DC18RD / DC18RE / DC18SD / DC18SE / DC18SF

- Mõned eespool loetletud akukassetid ja -laadijad ei pruugi olla teie riigis saadaval.

**⚠ HOIATUS:** Kasutage ainult ülalpool loetletud akukassette ja laadijaid. Muude akukassettide ja laadijate kasutamine võib tekitada vigastusi ja/või tulekahju.

#### Ettenähtud kasutamine

Tööriist on ette nähtud puidust piki- ja ristsuunaliste sirgjooneliste lõigete ja erineva nurga all faaside lõikamiseks tihedas kokkupuutes töödeldava detailiga. Sobivate Makita originaalsaeteradega saab saagida ka teisi materjale.

#### Müra

Tüüpiline A-korrigeeritud müratas vastavalt EN62841:

- Müraõhutamise ( $L_{pA}$ ): 94 dB (A)
- Müra võimsustase ( $L_{WA}$ ): 105 dB (A)
- Määramatus (K): 3 dB (A)

#### Kandke kõrvakaitsmeid

#### Vibratsioon

Vibratsiooni koguväärtus (kolmeteljeliste vektorite summa) määratud vastavalt EN62841:

- Töörežiim: puidu lõikamine
- Vibratsiooniaste ( $a_{h,v}$ ): 2,5 m/s<sup>2</sup> või vähem
- Määramatus (K): 1,5 m/s<sup>2</sup>

**MÄRKUS:** Deklareeritud vibratsiooniastme väärtus on mõeldud kooskõlas standardse testimismeetodiga ning seda võib kasutada ühe seadme võrdlemiseks teisega.

**MÄRKUS:** Deklareeritud vibratsiooniastme väärtust võib kasutada ka mürataseme esmaseks hindamiseks.

**⚠ HOIATUS:** Vibratsiooniaste võib elektritööriista tegelikuses kasutamise ajal erineda deklareeritud väärtusest sõltuvalt tööriista kasutamise viisidest.

**⚠ HOIATUS:** Rakendage kindlasti operaatori kaitsmiseks piisavaid ohutusabinõusid, mis põhinevad hinnangulisel müratasemel tegelikus tööolukorras (võttes arvesse tööperioodi kõik osad nagu näiteks korrad, mil seade lülitatakse välja ja mil seade töötab tühikäigul, lisaks tööajale).

## EÜ vastavusdeklaratsioon

#### Ainult Euroopa riikide puhul

EÜ vastavusdeklaratsioon sisaldub käesoleva juhendi Lisas A.

## Üldised elektritööriistade ohutushoiatused

**⚠ HOIATUS:** Lugege läbi kõik selle elektritööriistaga kaasas olevad ohutushoiatused, juhised, joonised ja tehnilised andmed. Järgnevate juhiste eiramine võib põhjustada elektrilöögi, süttimise ja/või raske kehavigastuse.

# Hoidke edaspidisteks viideteks alles kõik hoiatused ja juhtnõbrid.

Hoiatustes kasutatud termini „elektritööriist“ all peetakse silmas elektriga töötavaid (juhtmega) elektritööriistu või akuga töötavaid (juhtmeta) elektritööriistu.

## Juhtmeta ketassae ohutusnõuded

### Lõikamine

1. **▲OHTE:** Hoidke käed lõikepiirkonnast ja -terast eemal. Hoidke oma teist kätt abikäepidemel või mootori korpusel. Kui tööriista hoitakse mõlema käega, siis ei satu need lõiketera ette.
2. **Ärge kummardage töödeldava detaili alla.** Piire ei kaitse teid lõiketera eest töödeldava detaili all.
3. **Reguleerige lõikesügavust vastavalt töödeldava detaili paksusele.** Töödeldava detaili all peavad olema näha lõiketera hambad vähem kui terve hamba kõrguse ulatuses.
4. **Ärge hoidke mitte kunagi töödeldavat detaili lõikamise ajal käes ega põlve peal. Kinnitage töödeldav detail stabiilsele alusele.** Oluline on töödeldavat detaili õigesti toestada, et vähendada keha kaitseta jätmist, lõiketera kinnikiilumist või kontrolli kaotust.

### ► Joon.1

5. **Hoidke elektritööriista isoleeritud käepidemetest, kui töötate kohtades, kus lõikeriist võib kokku puutuda peidetud juhtmega või tööriista enda toitejuhtmega.** Kokkupuude voolu all oleva juhtmega võib pingestada ka elektritööriista katmata metallosad ning operaator võib saada elektrilöögi.
6. **Pikilõikamisel kasutage alati piiret või sirge serva juhikut.** See parandab lõike täpsust ja vähendab lõiketera kinnikiilumise võimalust.
7. **Kasutage alati õige suuruse ja kujuga (teemata valise asemel) võlliaukudega lõiketerasid.** Sae konstruktsiooniga mitteühitvad lõiketerad hakkavad liikuma ekstsentriliselt, põhjustades kontrolli kaotuse tööriista üle.
8. **Ärge kasutage kahjustunud ega nõuetele mittevastavaid lõiketera seibe ega polti.** Optimaalse töövõime ja -ohutuse tagamiseks on lõiketera seibid ja polt spetsiaalselt välja töötatud teie saele.

### Tagasilöögi põhjused ja sellega seotud hoiatused

- tagasilöök on äkiline reaktsioon kinni kiilunud, kinni pigistatud või orientatsiooni kaotanud saeterele, mis põhjustab tööriista üleskerkimist ja väljumist töödeldavast detailist operaatori poole;
- kui lõiketera on sisselõikesse tihedalt kinni pigistatud või kinni kiilunud, siis lõiketera seiskub ja mootori reaktsiooni tõttu juhitakse seade kiiresti tagasi operaatori poole;
- kui lõiketera on sisselõikes väänunud või orientatsiooni kaotanud, võivad lõiketera tagumise serva hambad kaevuda puidu pealispinda ning põhjustada lõiketera ülespoole tõusmise sisselõikest ja pörkimise tagasi operaatori poole.

Tagasilöök on sae väärkasutuse ja/või ebaõigete tööoperatsioonide või -tingimuste tulemus, mida on võimalik vältida, kui järgitakse alljärgnevat asjakohaseid ettevaatusabinõusid.

1. **Hoidke saest mõlema käega kindlalt kinni ja seadke käsivarred asendisse, et vastsu panna tagasilöögi jõududele. Olge ükskõik kummal pool lõiketera, kuid mitte otse selle taga.** Tagasilöök võib põhjustada tööriista järsu tahapoole liikumise, kuid asjakohaseid ettevaatusabinõusid järgides saab operaator tagasilöögi jõudusid kontrolli all hoida.
2. **Kui lõiketera kiilub kinni või katkestab mingil põhjusel lõikamise, vabastage päästik ja hoidke tööriista liikumatult materjalis, kuni tera on täielikult seiskunud. Ärge kunagi püüdke saagi eemaldada töödeldavast detailist ega tõmmake saagi tahapoole, kui lõiketera liigub või esineb tagasilöögihoht.** Tehke kindlaks lõiketera kinnikiilumise põhjus ja kõrvaldage see.
3. **Sae taaskäivitamisel töödeldavas detailis tsentreerige saetera sisselõikes nii, et saehambad ei lööks materjalisse.** Kui saetera on materjali sisse surrutud, võib see sae taaskäivitamisel kerkida või töödeldavast detailist tagasilöögi anda.
4. **Lõiketera kinnikiilumise ja tagasilöögiriski minimeerimiseks teostage suured paneelid.** Suured paneelid kalduvad omaenese raskuse all painduma. Toed tuleb paigutada paneeli mõlema külje alla lõikekoha ja paneeliserva lähedale.

### ► Joon.2

### ► Joon.3

5. **Ärge kasutage nürsid ega vigastatud lõiketerasid.** Teritamata või vääralt paigaldatud lõiketerade kasutamise tulemuseks on kitsas sisselõige, mis põhjustab liigset hõõrdumist, lõiketera kinnikiilumist ja tagasilööki.
6. **Lõiketera sügavuse ja faasi reguleerimise lukustushoovad peavad olema enne lõikamist pinguldatud ja kindlalt kinnitatud.** Kui lõiketera seadistus lõikamise ajal nihkub, võib see põhjustada kinnikiilumise ja tagasilöögi.
7. **Olge eriti ettevaatlik, kui teostate lõikeid olemasolevatesse seintesse või muudes varjatud piirkondades.** Väljalatuv lõiketera võib lõikuda objektidesse, mis võivad põhjustada tagasilöögi.
8. **Hoidke ALATI tööriista kindlalt kahe käega. Ärge pange oma kätt, jalga ega mingit muud kehaosa KUNAGI tööriistaluse alla ega sae taha, eriti ristlõigete tegemise ajal.** Kui tekib tagasilöök, võib saag hõlpsasti hüpata tahapoole üle teie kää ja põhjustada tõsise kehavigastuse.

### ► Joon.4

9. **Ärge kunagi kasutage sae suhtes jõudu. Lükake saagi ettepoole sellise kiirusega, et tera lõikab kiirust vähendamata.** Jõu kasutamine võib põhjustada lõigete ebatasasuse, täpsuse kaotuse ja võimaliku tagasilöögi.

## Piirde funktsioon

1. Enne igakordset kasutamist kontrollige alumise piirde õiget sulgemist. Ärge käivitage saagi, mille alumine piire ei liigu vabalt ja ei sulgu kohe. Ärge kunagi kinnitage alumist piiret klambriga ega siduge seda avatud asendisse. Kui saag on juhuslikult maha kukkunud, võib alumine piire olla paindunud. Tõstke alumist piiret väljatõmmatava käepideme abil ja veenduge, et see liiguks vabalt ega puudutaks lõiketera ning muid osi lõikamise kõigi nurkade ja sügavuste korral.
2. Kontrollige, kas alumise piirde vedru on töökorras. Kui piire ja vedru ei tõota korrektselt, tuleb neid enne tööriista kasutamist hooldada. Alumine piire võib töötada aeglaselt kahjustunud osade, kummisette või lõikamisjääkide kogunemise tõttu.
3. Alumise piirde võib käsitsi tagasi tõmmata ainult teatud lõikamiste puhul, nagu „sukelduslõikamised“ ja „kombineeritud lõikamised“. Tõstke alumist piiret väljatõmmatava käepideme abil ja niipea kui lõiketera siseneb materjali, tuleb alumine piire vabastada. Igasuguse muu saagimise puhul peab alumine juhik automaatselt töötama.
4. Enne sae asetamist pingile või pörandale jälgige alati, et alumine piire kataks lõiketera. Kaitsmata, vabalt liikuv tera võib põhjustada sae tahapoolse liikumise ja lõikumise ükskõik millesse oma liikumisteel. Olge teadlik ajast, mis kulub lõiketera seiskumiseks pärast tööriista väljalülitamist.
5. Alumise piirde kontrollimiseks avage alumine piire käega, seejärel vabastage see ja jälgige piirde sulgumist. Kontrollige ka seda, et väljatõmmatav käepide ei puudutaks tööriista korpusi. Lõiketera katmata jätmise on VÄGA OHTLIK ning võib põhjustada tõsiseid kehavigastusi.

## Lisaohutusnõuded

1. Olge eriti ettevaatlik märja puidu, survetöötlemise läbinud saematerjali või oksahtadega puidu lõikamisel. Tagage tööriista sujuv liikumine lõiketera kiirust vähendamata, et vältida lõiketera tippude ülekuumenemist.
  2. Ärge püüdke eemaldada lõigatavat materjali lõiketera liikumise ajal. Enne lõigatavast materjalist kinni haaramist oodake, kuni lõiketera seiskub. Terad liiguvad peale sae väljalülitamist vabakäiguga edasi.
  3. Vältige naeltesse sisselõikamist. Enne lõikamist kontrollige saematerjali ja eemaldage sellest kõik naelad.
  4. Asetage saekorpuse laiemi osa töödeldava detaili selle poole peale, mis on kindlalt toetatud, mitte sinna, mis pärast lõikamist küljest ära kukub. Kui töödeldav detail on lühike või väike, tuleb see pitskruvidega kinnitada. **ÄRGE PÜÜDKE HOIDA LÜHIKESI TÜKKE KÄEGA!**
- Joon.5
5. Enne tööriista maha asetamist pärast lõikamise lõpetamist veenduge, et piire oleks suletud ja lõiketera täielikult seiskunud.

6. Ärge kunagi püüdke saagida rakises tagurpidi asendis hoitava ketassaega. See on väga ohtlik ja võib põhjustada tõsiseid õnnetusi.

## ► Joon.6

7. Mõned materjalid võivad sisaldada mürgiseid aineid. Võtke meetmed tolmu sissehingamise ja nahaga kokkupuute vältimiseks. Järgige materjali tarnija ohutusteavet.
8. Ärge püüdke lõiketerasid seisata neid külgsuunas surudes.
9. Ärge kasutage abrasiivkettaid.
10. Kasutage saeterade puhul ainult sellist läbi-mõõtu, mis on märgitud tööriistale või määratud kindlaks kasutusjuhendis. Vale suurusega lõiketera kasutamine võib negatiivselt mõjutada lõiketera nõuetekohast kaitsset või kaitsepiirde funktsioneerimist, mille tagajärjeks võib olla raske kehavigastus.
11. Hoidke lõiketera terava ja puhtana. Kõvastunud kumm ja puuvaik lõiketeradel aeglustab sae tööd ning suurendab tagasilöögi tekkimise võimalust. Hoidke lõiketera puhtana, eemaldage see esmalt tööriista küljest, seejärel puhastage seda kummi- ja puuvaigu eemaldusvahendi, kuumu vee või petrooleumiga. Ärge kunagi kasutage bensiini.
12. Tööriista kasutamisel kandke tolmumaski ja kuulmiskaitsevahendeid.
13. Kasutage alati lõigatava materjali lõikamiseks ettenähtud saetera.
14. Kasutage ainult selliseid saeteri, millele märgitud kiirus on võrdne tööriistale märgitud kiirusega või sellest suurem.
15. (Ainult Euroopa riikide puhul) Kasutage alati standardile EN847-1 vastavat saetera.

## HOIDKE JUHEND ALLES.

**⚠ HOIATUS:** ÄRGE UNUSTAGE järgida toote ohutusnõudeid mugavuse või toote (korduskasutamise) saavutatud hea tundmise tõttu. VALE KASUTUS või kasutusjuhendi ohutusekirjade eiramine võib põhjustada tervisekahjustusi.

## Akukassetiga seotud olulised ohutusjuhised

1. Enne akukasseti kasutamist lugege (1) akulaadidjal, (2) akul ja (3) seadmel olevad juhtnõidid ja hoiatused läbi.
2. Ärge võtke akukassetti lahti.
3. Kui tööaeg järsult lüheneb, siis lõpetage kohe kasutamine. Edasise kasutamise tulemuseks võib olla ülekuumenemisoht, võimalikud põletused või isegi plahvatus.
4. Kui elektrolüüti satub silma, siis loputage silma puhta veega ja pöörduge koheselt arsti poole. Selline õnnetus võib põhjustada pimedaksjäämist.



5. **Ärge tekitage akukassettis lühisit:**
  - (1) Ärge puutuge klemme elektrijuhtidega.
  - (2) Ärge hoidke akukassetti tööriistakassis koos metallesemetega, nagu naelad, mündid jne.
  - (3) Ärge tehke akukassetti märjaks ega jätke seda vihma kätte.

**Aku lühis võib põhjustada tugevat elektrivoolu, ülekuumenemist, põletusi ning ka sea-  
det tõsiselt kahjustada.**
6. Ärge hoidke tööriista ja akukassetti kohtades, kus temperatuur võib tõusta üle 50 °C.
7. Ärge põletage akukassetti isegi siis, kui see on saanud tõsiselt vigastada või on täiesti kulu-  
nud. Akukassett võib tules plahvatada.
8. Olge ettevaatlik, ärge laske akul maha kukkuda ja vältige lööke.
9. Ärge kasutage kahjustatud akut.
10. **Sisalduvatele liitium-ioonakudele võivad  
kohalduda ohtlike kaupade õigusaktide nõu-  
ded.**  
Kaubanduslikul transportimisel, näiteks kolman-  
date poolte või transpordiettevõtete poolt, tuleb  
järgida pakendil ja siltidel toodud erinõudeid.  
Transportimiseks ettevalmistamisel on vajalik  
pidada nõu ohtliku materjali eksperdiga. Samuti  
tuleb järgida võimalike riiklike regulatsioonide  
üksikasjalikumaid nõudeid.  
Katke teibiga või varjake avatud kontaktid ja  
pakendage aku selliselt, et see ei saaks pakendis  
liikuda.
11. **Järgige kasutuskõlbmatuks muutunud aku  
käitlemisel kohalikke eeskirju.**
12. **Kasutage akusid ainult Makita heaks kiidetud  
toodetega.** Akude paigaldamine selleks mitte  
ettenähtud toodetele võib põhjustada süttimist,  
ülemäärast kuumust, plahvatamist või elektrolüüdi  
lekkimist.

## HOIDKE JUHEND ALLES.

**⚠ETTEVAATUST:** Kasutage ainult Makita originaalakusid. Mitte Makita originaalakude või muudetud akude kasutamine võib põhjustada akude süttimise, kehavigastuse ja kahjustuse. Samuti muudab see kehtetuks Makita tööriista ja laadija Makita garantii.

## Vihjeid aku maksimaalse kasu- tusaja tagamise kohta

1. Laadige akukassetti enne selle täielikku tühenemist. Kui märkate, et tööriist töötab väiksema võimsusega, peatage töö ja laadige akukassetti.
2. Ärge laadige täielikult laetud akukassetti. Ülelaadimine lühendab akude kasutusiga.
3. Laadige akukassetti toatemperatuuril 10 °C - 40 °C. Enne laadimist laske kuumenenud akukassetil maha jahtuda.
4. Kui te ei kasuta akukassetti kauem kui kuus kuud, laadige see.

## FUNKTSIONAALNE KIRJELDUS

### ⚠ETTEVAATUST:

- Kandke alati hoolt selle eest, et tööriist oleks enne reguleerimist ja kontrollimist välja lülitatud ja akukassett eemaldatud.

## Akukassetti paigaldamine või eemaldamine

► **Joon.7:** 1. Nupp 2. Punane näidik 3. Akukassett

### ⚠ETTEVAATUST:

- Lülitage tööriist alati enne akukassetti paigaldamist või eemaldamist välja.
- **Hoidke tööriista ja akukassetti kindlalt käes, kui paigaldate või eemaldate akukassetti.** Kui eirata nõuet tööriista ja akukassetti hoidmise kohta, võivad need käest libiseda ja maha kukkudes puruneda ja põhjustada kehavigastusi.

Akukassetti eemaldamiseks libistage see tööriista küljest lahti, vajutades kassetti esiküljel paiknevat nuppu alla.

Akukassetti paigaldamiseks joondage akukassetti keel korpuse soonega ja libistage kassett oma kohale.

Paigaldage kassett alati nii kaugele, et see lukustuks klõpsatusega oma kohale. Kui näete nupu ülaosas punast osa, pole kassett täielikult lukustunud.

### ⚠ETTEVAATUST:

- Paigaldage akukassett alati täies ulatuses nii, et punast osa ei jääks näha. Vastasel korral võib kassett tööriistast välja kukkuda ning vigastada Teid või läheduses viibivaid isikuid.
- Ärge rakendage jõudu akukassetti paigaldamisel. Kui kassett ei lähe kergesti sisse, pole see õigesti paigaldatud.

### MÄRKUS:

















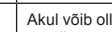

- Kui akukassetti ei õnnestu hõlpsasti eemaldada, siis lükake seda nupu vastasküljelt ja libistage seda.

## Aku jääkmahutavuse näit

*Ainult näidikuga akukassettidele*

► **Joon.8:** 1. Märgulambid 2. Kontrollimise nupp

Akukassetti järelejäänud mahutavuse kontrollimiseks vajutage kontrollimise nuppu. Märgulambid süttivad mõneks sekundiks.

Märgulambid			Jääkmahutavus
 Põleb	 Ei põle	 Vilgub	
			75 - 100%
			50 - 75%
			25 - 50%
			0 - 25%
			Laadige akut.
 	 	 	Akul võib olla tõrge.

**MÄRKUS:** Näidatud mahutavus võib veidi erineda tegelikust mahutavusest olenevalt kasutustingimustest ja ümbritseva keskkonna temperatuurist.

## Lüliti funktsioneerimine

### ⚠ETTEVAATUST:

- Kontrollige alati enne akukasseti tööriista külge paigaldamist, kas lüliti päästik funktsioneerib nõuetekohaselt ja liigub lahtilaskmisel tagasi väljalülitatud asendisse.
- Ärge tõmmake lüliti päästikut jõuga ilma lahtilukustuse hooba vajutamata. See võib lüliti vigastada.

### ► Joon.9: 1. Lüliti päästik 2. Lahtilukustuse hoob

Selleks, et lüliti päästikut poleks võimalik juhuslikult tõmmata, on tööriistal lahtilukustuse hoob. Tööriista käivitamiseks vajutage lahtilukustuse hooba ning tõmmake lüliti päästikut. Seiskamiseks vabastage lüliti päästik.

### ⚠HOIATUS:

- Ohutuse huvides on sellel tööriistal lahtilukustuse hoob, mis hoiab ära tööriista ootamatu käivitamise. ÄRGE KUNAGI kasutage tööriista, kui see hakkab tööle lihtsalt lüliti päästiku tõmbamisel, lahtilukustuse hooba vajutamata. ENNE edasist kasutamist viige tööriist parandamiseks Makita teeninduskeskusesse.
- ÄRGE KUNAGI teipige lahtilukustuse hooba kinni ega üritage selle funktsiooni blokeerida.








## Aku laetuse taseme näit

### Riigikohane

#### ► Joon.10: 1. Aku indikaator





Tööriista sisselülitamisel näitab aku indikaator aku laetuse taset.

Aku laetuse tase kuvatakse nii, nagu järgmises tabelis on näidatud.

Aku indikaatori olek	Aku jääkmahutavus
 : Sisse lülitatud  : Välja lülitatud  : Vilgub	
	50 % - 100 %
	20 % - 50 %
	0 % - 20 %
	Laadige akut

## Automaatne kiiruse muutmise funktsioon

### ► Joon.11: 1. Režiimiindikaator

Režiimiindikaatori olek	Töörežiim
 	Suure kiiruse režiim
 	Suure pöördemomendi režiim

Antud tööriistal on „suure kiiruse režiim“ ja „suure pöördemomendi režiim“. Töörežiimi muutmine toimub automaatselt olenevalt töökoormusest. Kui režiimiindikaator hakkab käitamise ajal põlema, siis on tööriist suure pöördemomendi režiimis.

## Tööriista/aku kaitstesüsteem

Tööriist on varustatud tööriista/aku kaitstesüsteemiga. Süsteem lülitab mootori automaatselt välja, et pikendada tööriista ja aku eluiga.

Tööriist seiskub käitamise ajal automaatselt, kui tööriista ja/või aku kohta kehtib üks järgmistest tingimustest. Teatud tingimustes hakkab indikaator põlema.

## Ülekoormuse kaitse

Kui tööriista kasutatakse viisil, mis põhjustab ebanormaalselt kõrget vooolutaset, siis seiskub tööriist automaatselt, ilma igasuguste näitudeta. Sellisel juhul lülitage tööriist välja ja katkestage töö, mis põhjustas tööriista ülekoormuse. Seejärel lülitage tööriist sisse, et see taaskäivitada.

## Tööriista ülekuumenemiskaitse

Kui tööriist on üle kuumenenud, siis seiskub see automaatselt ja aku indikaator näitab järgmist olekut. Sellises olukorras laske tööriistal maha jahtuda enne, kui selle uuesti sisse lülitate.

Aku indikaator	: Sisse lülitatud	: Välja lülitatud	: Vilgub
Tööriist on ülekuumenenud			

## Kaitseluku vabastamine

Kui kaitsesüsteem toimib korduvalt, siis tööriist lukustatakse ja aku indikaator näitab järgmist olekut.

Aku indikaator	: Sisse lülitatud	: Välja lülitatud	: Vilgub
Kaitselukk toimib			

Sellises olukorras ei käivitu tööriist isegi siis, kui seda välja ja sisse lülitatakse. Kaitseluku vabastamiseks eemaldage aku, seadke see akulaadijasse ja oodake, kuni laadimine lõpeb.

## Lõikesügavuse reguleerimine

### ⚠ETTEVAATUST:

- Pärast lõikesügavuse reguleerimist pingutage hoob alati korralikult.

► **Joon.12:** 1. Hoob 2. Sügavusjuhik

Lõdvendage tagumise käepideme küljel olevat hooba ning nihutage alust üles või alla. Soovitud lõikesügavuse juures kinnitage alus, pingutades hooba.

Puhtamate ja ohutumate lõigete tegemiseks seadke lõikesügavuse selliselt, et töödeldavas detailist allapoole ei ulatu rohkem kui üks terahammas. Õige lõikesügavuse kasutamine aitab vähendada kehavigastusi põhjustada võivate ohtlike TAGASILÕÖKIDE võimalust.

## Kaldlõikamine

► **Joon.13:** 1. Eesmine hoob

Lõdvendage eesmist hooba. Seadke soovitud nurk (0°–50°) seda vastavalt kallutades. Seejärel kinnitage eesmine hoob korralikult.

► **Joon.14:** 1. Stopper

Täpselt 45° nurga lõikamisel kasutage 45° stopperit. Kaldlõike (0°–45°) tegemiseks keerake stopper vastupäeva lõpuni, 0°–50° kaldlõigete tegemiseks pöörake seda päripäeva.

## Sihtimine

► **Joon.15:** 1. Lõikejoon (0° asend) 2. Lõikejoon (45° asend) 3. Kruvi

Sirglõigete tegemiseks seadke 0° punkt aluse esiküljel lõikejoonega kohakuti. 45° kaldlõigete tegemiseks seadke sellega kohakuti 45° punkt. Ülemise juhiku asend on reguleeritav.

## Lambi süütamine

### ⚠ETTEVAATUST:

- Ärge vaadake lambi sisse ega otsse valgusallikat.

► **Joon.16:** 1. Lamp

Ainult lambi sisselülitamiseks tõmmake lüliti päästikut lahtilukustuse hooba vajutamata. Lambi sisselülitamiseks ja tööriista käitamiseks vajutage lahtilukustuse hooba ja tõmmake lüliti päästikut koos lahtilukustuse hoova vajutamisega. Lamp põleb sel ajal, kui tõmmatakse lüliti päästikut. Lamp kustub 10–15 sekundit pärast päästiku vabastamist.

### MÄRKUS:

- Kasutage lambiklaasilt mustuse ära pühkimiseks kuiva riidelappi. Olge seda tehes ettevaatlik, et lambiklaasi mitte kriimustada, sest vastasel korral võib valgustuse väheneda.
- Ärge kasutage lambiklaasi puhastamiseks bensiini, vedeldit vms. Sellised ained võivad lambiklaasi kahjustada.

## Konks

### ⚠ETTEVAATUST:

- Eemaldage aku alati tööriistast, kui tööriista konksuga üles riputate.
- Ärge kunagi riputage tööriista kõrgesse kohta või ebakindlale alusele.

► **Joon.17:** 1. Konks 2. Sulgege 3. Avage

Konksu abil saate tööriista ajutiselt sobivasse kohta riputada. Konksu kasutamiseks lihtsalt pöörake seda, kuni see plöksatades avatud asendisse kinnitub. Kui konksu ei kasutata, siis pöörake seda alati, kuni see plöksatades suletud asendisse kinnitub.

## KOKKUPANEK

### ⚠ETTEVAATUST:

- Kandke alati hoolt selle eest, et tööriist oleks enne igasuguseid hooldustöid välja lülitatud ja akukassett eemaldatud.

## Saetera eemaldamine või paigaldamine

### ⚠ETTEVAATUST:

- Veenduge, et tera on paigaldatud selliselt, et hambad on suunatud tööriista esiosas üles.
- Kasutage tera paigaldamiseks ja eemaldamiseks ainult Makita mutrivõtit.

► **Joon.18:** 1. Kuuskantvõti 2. Võllilukk 3. Pinguta 4. Keerake lahti

Tera eemaldamiseks vajutage võllilukku, et tera ei saaks pöörduda, ning keerake kuuskantpolt mutrivõtme abil päripäeva lahti. Seejärel eemaldage kuuskantpolt, välimine flanš ja tera.

- **Joon.19:** 1. Sisemine flanš 2. Saetera 3. Välimine flanš 4. Kuuskantpolt

Tera paigaldamiseks järgige eemaldamise protseduuri vastupidises järjekorras. KEERAKE KUUSKANTPOLT KINDLASTI KORRALIKULT VASTUPÄEVA KINNI. Lõiketera vahetamisel puhastage kindlasti ka ülemine ja alumine lõiketera kaitsepiire neile kogunenud saepurust, nagu on kirjeldatud peatükis „Hooldus“. See ei tähenda, et võiks loobuda alumise kaitsepiirde töökorras oleku kontrollimisest enne iga kasutuskorda.

## Tööriista, mille siseäärrik sobib muu kui 15,88 mm ava läbimõõduga saeteraga

### ⚠ETTEVAATUST:

- **Veenduge, et siseäärriku end „a“, mis asetseb suunaga väljapoole, sobib täpselt saetera avasse „a“.** Tera paigaldamine vatele küljele võib põhjustada ohtlikku vibratsiooni.

- **Joon.20:** 1. Paigaldusvõll 2. Sisemine flanš 3. Saetera 4. Välimine flanš 5. Kuuskantpolt

Siseäärrikul on ühel küljel kindla läbimõõduga end ning teisel küljel teistsuguse läbimõõduga end. Valige õige endiga pool, mis sobib täpselt saetera avasse. Järgmiseks paigaldage siseäärrik paigaldusvõllile selliselt, et siseäärriku õige eendipoolega külg jääks väljapoole, ning paigaldage siis saetera ja välisäärrik. KEERAKE KUUSKANTPOLT KINDLASTI VASTUPÄEVA KÕVASTI KINNI.

## Tööriista, millel on siseäärrik 15,88 mm ava läbimõõduga saeterale (riigispetsiifiline).

- **Joon.21:** 1. Paigaldusvõll 2. Sisemine flanš 3. Saetera 4. Välimine flanš 5. Kuuskantpolt
- **Joon.22:** 1. Paigaldusvõll 2. Sisemine flanš 3. Saetera 4. Välimine flanš 5. Kuuskantpolt 6. Rõngas

Paigaldage siseäärrik paigaldusvõllile, suunates selle süvistatud külje väljapoole, ja asetage siis paika saetera (vajadusel kinnitatud rõngaga), välisäärrik ja kuuskantpolt. KEERAKE KUUSKANTPOLT KINDLASTI VASTUPÄEVA KÕVASTI KINNI.

### ⚠HOIATUS:

- **Enne tera paigaldamist spindlile veenduge alati, et sise- ja välisäärriku vahele on paigaldatud kasutatava tera võlliavaga kokkusobiv rõngas.** Vale võlliava rõnga kasutamine võib kaasa tuua tera vale paigalduse, mis põhjustab saetera lengerdamist ja tugevat vibratsiooni, mis võib omakorda põhjustada kontrolli kaotust tööriista üle ning raskeid kehavigastusi.

## Kuuskantvõtme hoielepanek

- **Joon.23:** 1. Kuuskantvõti

Pange ajaks, mil te seda ei kasuta, kuuskantvõti joonisel näidatud viisil hoiele, et see ära ei kaoks.

## Tolmuimeja ühendamine

(Valikuline tarvik mõnes riigis)

- **Joon.24:** 1. Tolmuotsak 2. Kruvi 3. Hoob

- **Joon.25:** 1. Tolmuimeja 2. Voolik

Kui soovite puhtamalt lõigata, ühendage tööriista külge Makita tolmuimeja.

Paigaldage tolmuotsak krui abil tööriista külge.

Seejärel ühendage tolmuimeja voolik tolmuotsakuga, nagu joonisel näidatud.

Tööriista puhul, millel tolmuotsak ei kuulu standardvarustusse, vahetage alumise kaitsepiirdele kinnitatud hoob tolmuotsakuga (valikuline tarvik) kaasa pandud hoova vastu välja samal ajal, kui paigaldate tolmuotsaku. Vastasel juhul ei saa te lõiget teha, sest tolmuotsak takistab alumise kaitsepiirde liikumist.

## TÖÖRIISTA KASUTAMINE

### ⚠ETTEVAATUST:

- Liigutage tööriista kindlasti ettevaatlikult sirgjooneliselt ettepoole. Tööriista surve avaldamisel või selle väänamisel kuumeneb mootor üle ja tekib ohtlik tagasilöökk, mis võib põhjustada tõsiseid vigastusi.
- Hoidke tööriista töö ajal alati tugevalt, kasutades esihaaratsit ja tagumist käepidet.

- **Joon.26**

Hoidke tööriista kindlalt käes. Tööriistal on nii eesmine kui tagumine käepide. Et hoida tööriista kindlas haar-des, kasutage mõlemat. Kui mõlemad käed hoiavad saagi kinni, ei saa tera neid vigastada. Asetage alus lõigatavale detailile, ilma et tera detaili vastu puutuks. Seejärel lülitage tööriist sisse ja oodake, kuni tera saavutab täiskiruse. Nüüd lihtsalt viige tööriist töödeldavale pinnale või detailile, hoidke seda ühes asendis ning lükake sujuvalt edasi seni, kuni saagimine on lõpetatud. Puhta lõike saamiseks hoidke saagimisjoon sirgena ja liikumiskiirus ühtlasena. Kui lõige ei järgi korralikult soovitud lõikejoont, ärge üritage suunata tööriista jõuga tagasi lõikejoonele. Seda tehakse võib tera takerduda, põhjustades tagasilöögi ja tõsise vigastuse. Vabastage lüliti, oodake tera peatumiseni ning eemaldage siis tööriist. Joondage tööriist uue lõikejoonega ja alustage uuesti lõikamist. Püüdke vältida asendit, milles operاتور jääb saest väljapaiskuvate laastude ja saepuru teele. Kasutage kaitseprille, mis aitavad vältida vigastusi.

## Piire (juhtjoolaud) (valikuline tarvik)

► **Joon.27:** 1. Pitskruvi 2. Piire (juhtjoolaud)

Käepärane piire võimaldab teha eriti täpseid sirgeid lõikeid. Libistage lihtsalt piire tihedalt vastu töödeldava detaili külge üles ja kinnitage see aluse esiosas oleva pitskruviga kohale. See võimaldab ka ühesuguse laiusega korduvlõigete tegemist.

## HOOLDUS

### ⚠ETTEVAATUST:

- Kandke alati hoolt selle eest, et tööriist oleks enne igasuguseid hooldustöid välja lülitatud ja akukassett eemaldatud.
- **Puhastage ülemist ja alumist kaitsepiiret, et sinna ei oleks kogunenud saetolmu, mis võib takistada alumise kaitseüsteemi funktsioneerimist.** Määrduvad kaitseüsteem võib piirata nõuetekohast töötamist, mille tagajärjeks võib olla raske kehavigastus. Puhastamist on kõige tõhusam teha suruõhuga. **Tolmu väljapuhumisel kaitsepiiretest kasutage kindlasti nõuetekohaseid silmade ja hingamisteede kaitsevahendeid.**
- Ärge kunagi kasutage bensiini, vedeldit, alkoholi ega midagi muud sarnast. Selle tulemuseks võib olla luitumine, deformatsioon või pragunemine.

## 0° ja 45° lõike (vertikaalne ja 45° lõige) täppisreguleerimine

► **Joon.28:** 1. 45° reguleerkruvi 2. 0° reguleerkruvi

► **Joon.29:** 1. Kolmnurkjoolaud

See on tehases reguleeritud. Kui see on paigast ära, siis reguleerige kuuskantvõtme abil reguleerkruve, kontrollides samal ajal kolmnurkjoolauda, nurklauda vms abil lõiketera ja aluse vahelist 0° või 45° nurka. Kasutage 45° nurga reguleerimiseks 45° stopperit.

## Kaldlõikamise juhiku reguleerimine

► **Joon.30:** 1. Kaldlõikamise juhik 2. Kruvi 3. Juhik

Kaldlõikamise juhik on tehases reguleeritud. Kui see on paigast ära, siis võite seda reguleerida vastavalt järgmisele protseduurile.

Kaldlõikamise juhiku reguleerimiseks lõdvendage kahte kruvi. Seadke kaldlõikamise juhiku 0° joon kohakuti alusel oleva juhikuga sel ajal, kui aluse seadenurk on 0°. Toote OHUTUSE ja TÖÖKINDLUSE tagamiseks tuleb vajalikud remonttööd, muud hooldus- ja reguleerimistööd lasta teha Makita volitatud teeninduskeskustes. Alati tuleb kasutada Makita varuosi.

## VALIKULISED TARVIKUD

### ⚠ETTEVAATUST:

- Neid tarvikuid ja lisaseadiseid on soovitatav kasutada koos Makita tööriistaga, mille kasutamist selles kasutusjuhendis kirjeldatakse. Muude tarvikute ja lisaseadiste kasutamisega kaasneb vigastada saamise oht. Kasutage tarvikuid ja lisaseadiseid ainult otstarvetel, milleks need on ette nähtud.

Saate vajadusel kohalikust Makita teeninduskeskusest lisateavet nende tarvikute kohta.

- Saeterad
- Piire (juhtjoolaud)
- Juhtpiire
- Juhtpiire adapter
- Joolaud
- Tolmuotsak
- Kuuskantvõti
- Makita algupärane aku ja laadija

### MÄRKUS:

- Mõned nimekirjas loetletud tarvikud võivad kuuluda standardvarustusse ning need on lisatud tööriista pakendisse. Need võivad riikide lõikes erineda.

## ТЕХНИЧЕСКИЕ ХАРАКТЕРИСТИКИ

Модель		DHS680
Диаметр диска		165 мм
Максимальная глубина резки	при 0°	57 мм
	при 45°	41 мм
	при 50°	37 мм
Число оборотов без нагрузки		5 000 мин <sup>-1</sup>
Общая длина		350 мм
Вес нетто		3,0 - 3,3 кг
Номинальное напряжение		18 В пост. Тока

- Благодаря нашей постоянно действующей программе исследований и разработок указанные здесь технические характеристики могут быть изменены без предварительного уведомления.
- Технические характеристики могут различаться в зависимости от страны.
- Масса может отличаться в зависимости от дополнительного оборудования. Обратите внимание, что блок аккумулятора также считается дополнительным оборудованием. В таблице представлены комбинации с наибольшим и наименьшим весом в соответствии с процедурой EPTA 01/2014.

### Подходящий блок аккумулятора и зарядное устройство

Блок аккумулятора	BL1815N / BL1820 / BL1820B / BL1830 / BL1830B / BL1840 / BL1840B / BL1850 / BL1850B / BL1860B
Зарядное устройство	DC18RC / DC18RD / DC18RE / DC18SD / DC18SE / DC18SF

- В зависимости от региона проживания некоторые блоки аккумуляторов и зарядные устройства, перечисленные выше, могут быть недоступны.

**⚠ОСТОРОЖНО:** Используйте только перечисленные выше блоки аккумуляторов и зарядные устройства. Использование других блоков аккумуляторов и зарядных устройств может привести к травме и/или пожару.

#### Назначение

Данный инструмент предназначен для прямолинейного продольного и поперечного пиления, а также для пиления древесины под углом при наличии надежного контакта с распиливаемой деталью. При использовании соответствующих оригинальных дисковых пил Makita возможно также распиливание других материалов.

#### Шум

Типичный уровень взвешенного звукового давления (A), измеренный в соответствии с EN62841:

Уровень звукового давления ( $L_{pA}$ ): 94 дБ (A)

Уровень звуковой мощности ( $L_{WA}$ ): 105 дБ (A)

Погрешность (K): 3 дБ (A)

**Используйте средства защиты слуха**

#### Вибрация

Суммарное значение вибрации (сумма векторов по трем осям) определяется по следующим параметрам EN62841:

Рабочий режим: резка дерева

Распространение вибрации ( $a_{h,w}$ ): 2,5 м/с<sup>2</sup> или менее

Погрешность (K): 1,5 м/с<sup>2</sup>

**ПРИМЕЧАНИЕ:** Заявленное значение распространения вибрации измерено в соответствии со стандартной методикой испытаний и может быть использовано для сравнения инструментов.

**ПРИМЕЧАНИЕ:** Заявленное значение распространения вибрации можно также использовать для предварительных оценок воздействия.

**⚠ОСТОРОЖНО:** Распространение вибрации во время фактического использования электроинструмента может отличаться от заявленного значения в зависимости от способа применения инструмента.

**⚠ОСТОРОЖНО:** Обязательно определите меры безопасности для защиты оператора, основанные на оценке воздействия в реальных условиях использования (с учетом всех этапов рабочего цикла, таких как выключение инструмента, работа без нагрузки и включение).

### Декларация о соответствии ЕС

*Только для европейских стран*

Декларация о соответствии ЕС включена в руководство по эксплуатации (Приложение А).

## Общие рекомендации по технике безопасности для электроинструментов

**⚠ ОСТОРОЖНО:** Ознакомьтесь со всеми представленными инструкциями по технике безопасности, указаниями, иллюстрациями и техническими характеристиками, прилагаемыми к данному электроинструменту. Несоблюдение каких-либо инструкций, указанных ниже, может привести к поражению электрическим током, пожару и/или серьезной травме.

## Сохраните брошюру с инструкциями и рекомендациями для дальнейшего использования.

Термин "электроинструмент" в предупреждении относится ко всему инструменту, работающему от сети (с проводом) или на аккумуляторах (без провода).

## Правила техники безопасности при эксплуатации аккумуляторной циркулярной пилы

### Процедуры резки

1. **⚠ ОПАСНО:** Держите руки на расстоянии от места распила и пилы. Держите вторую руку на дополнительной ручке или корпусе двигателя. Удержание инструмента обеими руками позволит избежать попадания рук диск пилы.
2. **Не наклоняйтесь под обрабатываемую деталь.** Защитный кожух не защитит вас от диска под обрабатываемой деталью.
3. **Отрегулируйте глубину распила в соответствии с толщиной детали.** Под распиливаемой деталью должен быть виден почти весь зуб пилы.
4. **Запрещается держать деталь руками и ставить ее поперек ноги во время работы.** Закрепите обрабатываемую деталь на устойчивом основании. Важно обеспечить правильную фиксацию детали для снижения до минимума риска получения травм, заклинивания диска или потери контроля.

### ► Рис.1

5. Если при выполнении работ существует риск контакта режущего инструмента со скрытой электропроводкой или собственным шнуром питания, держите электроинструмент за специально предназначенные изолированные поверхности. Контакт с проводом под напряжением приведет к тому, что металлические детали инструмента также будут под напряжением, что приведет к поражению оператора электрическим током.
6. **Обязательно пользуйтесь направляющей планкой или направляющей с прямым краем при продольной распиловке.** Это повышает точность распила и снижает риск изгиба диска.
7. **Обязательно используйте диски соответствующего размера и формы отверстий для оправки (ромбовидные или круглые).** Диски с несоответствующим креплением будут работать эксцентрически, что приведет к потере контроля над инструментом.

8. **Запрещается использовать поврежденные или несоответствующие пиле шайбы или болт крепления.** Шайбы и болт крепления диска были специально разработаны для данной пилы с целью обеспечения оптимальных эксплуатационных характеристик и безопасности работы.

### Причины отдачи и соответствующие предупреждения

- отдача - это мгновенная реакция на защемление, застревание или нарушение соосности пильного диска, приводящая к неконтролируемому подъему пилы и ее движению из детали по направлению к оператору;
- если диск защемлен или жестко ограничивается пропилом снизу, он прекратит вращаться, и реакция двигателя приведет к тому, что инструмент начнет быстро двигаться в сторону оператора;
- если диск становится изогнутым или неправильно ориентированным в распиле, зубья на задней стороне диска могут цепляться за верхнюю поверхность распиливаемой древесины, что приведет к выскакиванию диска из пропила и его движению в сторону оператора.

Отдача - это результат неправильного использования пилы и/или неправильных процедур или условий эксплуатации. Ее можно избежать, соблюдая меры предосторожности, указанные ниже.

1. **Крепко держите пилу обеими руками и располагайте руки так, чтобы они могли справиться с отдачей.** Располагайтесь с боковой стороны циркулярной пилы, а не на одной линии с ней. Отдача может привести к отскакиванию дисковой пилы назад, однако силы отдачи могут контролироваться оператором при условии соблюдения соответствующих мер предосторожности.
2. **При изгибании пилы или прекращении пиления по какой-либо причине отпустите триггерный переключатель и держите пилу без ее перемещения в детали до полной остановки вращения диска.** Не пытайтесь вытаскивать пилу из распиливаемой детали или потянуть пилу назад, когда пила продолжает вращаться. Это может привести к отдаче. Проверьте и выполните действия по устранению причины заклинивания диска.
3. **При повторном включении пилы, когда она находится в детали, отцентрируйте пильный диск в пропиле так, чтобы зубья пилы не касались распиливаемой детали.** Если пильный диск изогнется, пила может приподняться или возникнет обратная отдача при повторном запуске пилы.
4. **Поддерживайте большие панели для снижения риска заклинивания и отдачи диска.** Большие панели провисают под собственным весом. Опоры необходимо располагать под панелью с обеих сторон, около линии распила и около края панели.

### ► Рис.2

### ► Рис.3

5. **Не используйте тупые или поврежденные диски.** Незаточенные или неправильно установленные диски приведут к узкому распилу, что вызовет чрезмерное трение, заклинивание диска и отдачу.

6. Перед резкой необходимо крепко затянуть блокирующие рычаги глубины распила и регулировки скоса. Если при резке регулировка диска нарушится, это может привести к заклиниванию диска и возникновению отдачи.
7. Будьте особенно осторожны при распиливании уже имеющих стен или иных поверхностей, недоступных для осмотра. Выступающий диск пилы может столкнуться с предметами, которые могут вызвать отдачу инструмента.
8. **ВСЕГДА** держите инструмент крепко обеими руками. **НИКОГДА** не помещайте свои руки, ноги или иные части тела под основание инструмента или пазы пилы, особенно при выполнении поперечных распилов. В случае отдачи пила может легко отскочить назад на вашу руку, что приведет к серьезной травме.

► **Рис.4**

9. **Никогда не прилагайте повышенных усилий к пиле. Двигайте пилу вперед со скоростью, которая позволяет дисковой пиле пилить без снижения скорости.** Приложение повышенных усилий к дисковой пиле может привести к неравномерному распилу, снижению точности и возможной отдаче.

**Функционирование ограждения**

1. Перед каждым использованием убедитесь в том, что нижний защитный кожух надежно закрыт. Не эксплуатируйте пилу, если нижний защитный кожух не перемещается свободно и мгновенно не закрывается. Запрещается фиксировать нижний защитный кожух в открытом положении каким бы то ни было способом. При случайном падении пилы кожух может погнуться. Поднимите нижний защитный кожух при помощи ручки подъема и убедитесь в его свободном перемещении и в том, что он не касается пилы или других деталей при любом угле и глубине распила.
2. Проверьте работу пружины нижнего защитного кожуха. Если щиток и пружина не работают надлежащим образом, их необходимо отремонтировать перед использованием пилы. Нижний защитный кожух может работать медленно из-за поврежденных деталей, отложения смол или скопления мусора.
3. Нижний защитный кожух можно поднимать вручную только при специальных распилах, таких как "врезание" или "комплексная резка". Поднимите нижний кожух, отодвинув рукоятку назад; как только диск войдет в материал, нижний защитный кожух обязательно нужно вернуть на место. При осуществлении любых других распилов нижний защитный кожух должен работать автоматически.
4. Перед тем как положить пилу на верстак или на пол, обязательно убедитесь, что нижний защитный кожух закрывает режущий диск. Незащищенный, вращающийся по инерции диск пилы может непреднамеренно двинуться назад, распиливая все, что попадется на пути. Помните о времени, необходимом для полной остановки пилы после отключения выключателя.

5. Для проверки нижнего кожуха вручную откройте нижний защитный кожух, затем отпустите и убедитесь, что он закрылся. Также убедитесь в том, что убирающаяся ручка не касается корпуса. Открытая пила **ОЧЕНЬ ОПАСНА** и может привести к серьезной травме.

**Дополнительные предупреждения о безопасности**

1. Будьте особенно осторожны при распиливании сырой, прессованной или сучковатой древесины. Сохраняйте постоянную скорость подачи без снижения оборотов диска, чтобы избежать перегрева кромки диска.
2. Не пытайтесь убирать отрезанные детали при вращении диска. Перед удалением распиленных деталей дождитесь полной остановки пилы. После выключения диск будет вращаться еще некоторое время.
3. Избегайте попадания режущего инструмента на гвозди. Перед распиливанием осмотрите деталь и удалите из нее все гвозди.
4. Установивайте более широкую часть основания пилы на ту часть обрабатываемой детали, которая имеет хорошую опору, а не на ту часть, которая упадет после отпиливания. Если распиливаемая деталь короткая или маленькая, ее необходимо закрепить. **НЕ ПЫТАЙТЕСЬ УДЕРЖИВАТЬ КОРОТКИЕ ДЕТАЛИ РУКОЙ!**

► **Рис.5**

5. Перед размещением пилы после завершения распила убедитесь, что нижний защитный кожух закрылся и пила полностью прекратила вращаться.
6. Никогда не пытайтесь осуществлять распиливание, закрепив циркулярную пилу в перевернутом виде. Это очень опасно и может привести к серьезным травмам.

► **Рис.6**

7. Некоторые материалы могут содержать токсичные химические вещества. Примите соответствующие меры предосторожности, чтобы избежать вдыхания или контакта с кожей таких веществ. Соблюдайте требования, указанные в паспорте безопасности материала.
8. Не пытайтесь остановить пилу путем бокового давления на пильный диск.
9. Не используйте абразивные круги.
10. Разрешается использовать только пильные диски с диаметром, соответствующим указанному на инструменте или в руководстве. Применение диска неверного размера может препятствовать надлежащей защите диска или мешать работе защитного кожуха, что, в свою очередь, может стать причиной серьезных травм.
11. Пилы должны быть острыми и чистыми. Смолы и древесный пек, затвердевшие на пильных дисках, снижают производительность пилы и повышают потенциальный риск отдачи. Содержите пилу в чистоте. Для этого снимите ее с инструмента и очистите растворителем смолы и древесного пека, горячей водой или керосином. Запрещается использовать бензин.



12. При использовании инструмента надевайте пылезащитную маску и используйте средства защиты слуха.
13. Используйте пыльные диски, соответствующие материалу заготовки.
14. Используйте только пыльные диски, маркировка максимальной скорости которых равна или выше скорости, указанной на инструменте.
15. (Только для европейских стран) Используйте диски, соответствующие EN847-1.
7. Не бросайте аккумуляторный блок в огонь, даже если он сильно поврежден или полностью вышел из строя. Аккумуляторный блок может взорваться под действием огня.
8. Не роняйте и не ударяйте аккумуляторный блок.
9. Не используйте поврежденный аккумуляторный блок.
10. Входящие в комплект литий-ионные аккумуляторы должны эксплуатироваться в соответствии с требованиями законодательства об опасных товарах.

## СОХРАНИТЕ ДАННЫЕ ИНСТРУКЦИИ.

**⚠ОСТОРОЖНО:** НЕ ДОПУСКАЙТЕ, чтобы удобства или опыт эксплуатации данного устройства (полученный от многократного использования) доминировали над строгим соблюдением правил техники безопасности при обращении с этим устройством. НЕПРАВИЛЬНОЕ ИСПОЛЬЗОВАНИЕ инструмента или несоблюдение правил техники безопасности, указанных в данном руководстве, может привести к тяжелой травме.

### Важные правила техники безопасности для работы с аккумуляторным блоком

1. Перед использованием аккумуляторного блока прочитайте все инструкции и предупредительные надписи на (1) зарядном устройстве, (2) аккумуляторном блоке и (3) инструменте, работающем от аккумуляторного блока.
2. Не разбирайте аккумуляторный блок.
3. Если время работы аккумуляторного блока значительно сократилось, немедленно прекратите работу. В противном случае, может возникнуть перегрев блока, что приведет к ожогам и даже к взрыву.
4. В случае попадания электролита в глаза промойте их обильным количеством чистой воды и немедленно обратитесь к врачу. Это может привести к потере зрения.
5. Не замыкайте контакты аккумуляторного блока между собой:
  - (1) Не прикасайтесь к контактам какими-либо токопроводящими предметами.
  - (2) Не храните аккумуляторный блок в контейнере вместе с другими металлическими предметами, такими как гвозди, монеты и т. п.
  - (3) Не допускайте попадания на аккумуляторный блок воды или дождя.
 Замыкание контактов аккумуляторного блока между собой может привести к возникновению большого тока, перегреву, возможному ожогу и даже поломке блока.
6. Не храните инструмент и аккумуляторный блок в местах, где температура может достигать или превышать 50 °C (122 °F).

При коммерческой транспортировке, например, третьей стороной или экспедитором, необходимо нанести на упаковку специальные предупреждения и маркировку.

В процессе подготовки устройства к отправке обязательно проконсультируйтесь со специалистом по опасным материалам. Также соблюдайте местные требования и нормы. Они могут быть строже.

Закройте или закрепите разомкнутые контакты и упакуйте аккумулятор так, чтобы он не перемещался по упаковке.

11. Выполняйте требования местного законодательства относительно утилизации аккумуляторного блока.
12. Используйте аккумуляторы только с продукцией, указанной Makita. Установка аккумуляторов на продукцию, не соответствующую требованиям, может привести к пожару, перегреву, взрыву или утечке электролита.

## СОХРАНИТЕ ДАННЫЕ ИНСТРУКЦИИ.

**⚠ВНИМАНИЕ:** Используйте только фирменные аккумуляторные батареи Makita. Использование аккумуляторных батарей, не произведенных Makita, или батарей, которые были подвергнуты модификациям, может привести к взрыву аккумулятора, пожару, травмам и повреждению имущества. Это также автоматически аннулирует гарантию Makita на инструмент и зарядное устройство Makita.

## Советы по обеспечению максимального срока службы аккумулятора

1. Заряжайте блок аккумуляторов перед его полной разрядкой. Обязательно прекратите работу с инструментом и зарядите блок аккумуляторов, если вы заметили снижение мощности инструмента.
2. Никогда не подзаряжайте полностью заряженный блок аккумуляторов. Перезарядка сокращает срок службы аккумулятора.
3. Заряжайте блок аккумуляторов при комнатной температуре в 10 - 40 °C (50 - 104 °F). Перед зарядкой горячего блока аккумуляторов дайте ему остыть.
4. Зарядите ионно-литиевый аккумуляторный блок, если вы не будете пользоваться инструментом длительное время (более шести месяцев).

# ОПИСАНИЕ ФУНКЦИОНИРОВАНИЯ

## ⚠ ВНИМАНИЕ:

- Перед регулировкой или проверкой функционирования всегда отключайте инструмент и вынимайте блок аккумулятора.

## Установка или снятие блока аккумулятора

► **Рис.7:** 1. Кнопка 2. Красный индикатор 3. Блок аккумулятора

## ⚠ ВНИМАНИЕ:

- Обязательно выключайте инструмент перед установкой и извлечением аккумуляторного блока.
- **При установке или снятии аккумуляторного блока надежно удерживайте инструмент и аккумуляторный блок.** Иначе инструмент или аккумуляторный блок могут выскользнуть из рук, что может привести к травмам или повреждению инструмента и аккумуляторного блока.

Для снятия аккумуляторного блока нажмите кнопку на лицевой стороне и извлеките блок.

Для установки аккумуляторного блока совместите выступ блока с пазом в корпусе и задвиньте его на место. Устанавливайте блок до упора так, чтобы он зафиксировался на месте с небольшим щелчком. Если вы можете видеть красный индикатор на верхней части клавиши, аккумуляторный блок не полностью установлен на месте.

## ⚠ ВНИМАНИЕ:

- Обязательно устанавливайте аккумуляторный блок до конца, чтобы красный индикатор не был виден. В противном случае аккумуляторный блок может выпасть из инструмента и нанести травму вам или другим людям.
- Не прилагайте чрезмерных усилий при установке аккумуляторного блока. Если блок не двигается свободно, значит он вставлен неправильно.

## ПРИМЕЧАНИЕ:

- Если при извлечении аккумуляторного блока прилагается усилие, нажмите на него с противоположной стороны от кнопки и выдвиньте.

## Индикация оставшегося заряда аккумулятора

*Только для блоков аккумулятора с индикатором*

► **Рис.8:** 1. Индикаторы 2. Кнопка проверки

Нажмите кнопку проверки на аккумуляторном блоке для проверки заряда. Индикаторы загорятся на несколько секунд.

Индикаторы			Уровень заряда
Горит	Выкл.	Мигает	
■ ■ ■ ■			от 75 до 100%
■ ■ ■ □			от 50 до 75%
■ ■ □ □			от 25 до 50%
■ □ □ □			от 0 до 25%
▣ □ □ □			Зарядите аккумуляторную батарею.
■ ■ □ □			Возможно, аккумуляторная батарея неисправна.
□ □ ■ ■	↑ ↓		

**ПРИМЕЧАНИЕ:** В зависимости от условий эксплуатации и температуры окружающего воздуха индикация может незначительно отличаться от фактического значения.

## Действие выключателя

### ⚠ ВНИМАНИЕ:

- Перед установкой аккумуляторного блока в инструмент обязательно убедитесь, что его курковый выключатель нормально работает и возвращается в положение "OFF" (ВЫКЛ.) при отпускании.
- Не давите сильно на курковый выключатель, если не был нажат рычаг разблокировки, т. к. это может привести к поломке куркового выключателя.

► **Рис.9:** 1. Курковый выключатель 2. Рычаг разблокирования

Во избежание случайного нажатия куркового переключателя инструмент оборудован рычагом разблокировки. Для включения инструмента нажмите на рычаг разблокировки, а затем - курковый выключатель. Для выключения инструмента отпустите курковый выключатель.

### ⚠ ОСТОРОЖНО:

- В целях безопасности инструмент оснащен рычагом разблокировки, который предотвращает случайное включение инструмента. ЗАПРЕЩАЕТСЯ использовать инструмент после нажатия куркового выключателя без включения рычага разблокировки. Верните инструмент в сервисный центр MAKITA для надлежащего ремонта ДО продолжения его эксплуатации.
- Фиксировать рычаг разблокировки при помощи липкой ленты и вносить изменения в его конструкцию ЗАПРЕЩЕНО.

## Обозначения заряда аккумулятора

В зависимости от страны

► Рис.10: 1. Индикатор аккумулятора

При включении инструмента индикатор аккумулятора показывает заряд аккумулятора. Обозначения заряда аккумулятора показаны в следующей таблице.

Состояние индикатора аккумуляторной батареи ■: ВКЛ. □: ВЫКЛ. ▣: Мигает	Уровень заряда батареи
	50 % - 100 %
	20 % - 50 %
	0 % - 20 %
	Зарядите аккумулятор

## Функция автоматического изменения скорости

► Рис.11: 1. Индикатор режима

Состояние индикатора режима	Режим работы
	Режим высокой скорости
	Режим высокого крутящего момента

В данном инструменте предусмотрен "режим высокой скорости" и "режим высокого крутящего момента". Он автоматически меняет режим работы в зависимости от нагрузки. Если во время работы включается индикатор режима, инструмент в режиме высокого крутящего момента.

## Система защиты инструмента/аккумулятора

На инструменте предусмотрена система защиты инструмента/аккумулятора. Она автоматически отключает питание двигателя для продления срока службы инструмента и аккумулятора. Инструмент автоматически остановится во время работы при возникновении указанных ниже ситуаций. В некоторых ситуациях загорается индикатор.

## Защита от перегрузки

Если из-за способа эксплуатации инструмент потребляет очень большое количество тока, он автоматически выключится без включения каких-либо индикаторов. В этом случае выключите инструмент и прекратите использование, повлекшее перегрузку инструмента. Затем включите инструмент для перезапуска.

## Защита инструмента от перегрева

В случае перегрева инструмента он автоматически выключается и индикатор аккумулятора показывает следующее состояние. В некоторых ситуациях загорается индикатор.

Индикатор аккумулятора	■: ВКЛ. □: ВЫКЛ. ▣: Мигает
	Перегрев инструмента

## Выключение защитной блокировки

Если защитная система постоянно срабатывает, инструмент блокируется и индикатор аккумулятора показывает следующее состояние.

Индикатор аккумулятора	■: ВКЛ. □: ВЫКЛ. ▣: Мигает
	Используется защитный замок

В этой ситуации инструмент не включится даже при выключении и повторном включении. Чтобы выключить защитную блокировку, извлеките аккумулятор, установите его в зарядное устройство и дождитесь окончания зарядки.

## Регулировка глубины резки

### ▲ ВНИМАНИЕ:

- После регулировки глубины реза всегда крепко затягивайте рычаг.

► Рис.12: 1. Рычаг 2. Направляющая глубины  
Ослабьте рычаг на стороне задней ручки и поднимите или опустите основание. Установив необходимую глубину резки, закрепите основание путем затяжки рычага.

Для обеспечения более чистых, безопасных распилов, установите глубину резки на такое значение, чтобы под обрабатываемой деталью выступал только один зубец диска. Установка надлежащей глубины резки снижает вероятность опасных ОТСКОКОВ, которые могут причинить травму.

## Рез под углом

► Рис.13: 1. Передний рычаг

Ослабьте передний рычаг. Установите необходимый угол (0° - 50°), для чего наклоните пластину соответствующим образом, а затем хорошо затяните передний рычаг.

► Рис.14: 1. Стопор

При распиливании точно под углом 45° используйте стопор на 45°. Для распиливания под углом (0° - 45°) полностью поверните стопор против часовой стрелки, а для распиливания под углом 0° - 50° поворачивайте его по часовой стрелке.

## Визир

- **Рис.15:** 1. Линия разреза (положение 0°)  
2. Линия разреза (положение 45°)  
3. Винт

Для прямого распиливания совместите положение 0° лицевой стороны основания с вашей линией распиливания. Для распиливания под углом 45° совместите положение 45° с линией распиливания. Положение верхней направляющей регулируется.

## Включение лампы

### ▲ВНИМАНИЕ:

- Не смотрите на источник освещения и не допускайте прямого попадания света в глаза.

- **Рис.16:** 1. Лампа

Чтобы включить только лампу, потяните курковый выключатель, не нажимая рычаг разблокировки. Для включения лампы и запуска инструмента нажмите рычаг разблокировки и потяните курковый выключатель (одновременно нажимая рычаг разблокировки). Лампа будет светиться до тех пор, пока нажат курковый выключатель. Лампа гаснет через 10-15 секунд после отпускания выключателя.

### ПРИМЕЧАНИЕ:

- Используйте сухую ткань для очистки грязи с линзы лампы. Следите за тем, чтобы не поцарапать линзу лампы, так как это может уменьшить освещение.
- Не используйте бензин, растворитель или им аналогичные жидкости для чистки линзы лампы. Использование подобных веществ может повредить линзу.

## Крючок

### ▲ВНИМАНИЕ:

- Обязательно извлекайте аккумуляторный блок при подвешивании инструмента с крючком.
- Никогда не вешайте инструмент на высоте или на потенциально неустойчивой поверхности.

- **Рис.17:** 1. Крючок 2. Закрыть 3. Открыть

Крючок используется для временного подвешивания инструмента. Для использования крючка просто поверните его так, чтобы он защелкнулся в открытом положении.

Если крючок не используется, обязательно поверните его так, чтобы он защелкнулся в закрытом положении.

## МОНТАЖ

### ▲ВНИМАНИЕ:

- Перед проведением каких-либо работ с инструментом всегда проверяйте, что инструмент отключен, а блок аккумуляторов снят.

## Снятие или установка пильного диска

### ▲ВНИМАНИЕ:

- Обязательно проверяйте установку диска, чтобы зубья смотрели вверх в передней части инструмента.
- Для снятия или установки дисков пользуйтесь только ключом Makita.

- **Рис.18:** 1. Шестигранный ключ 2. Фиксатор вала 3. Затянуть 4. Ослабить

Для снятия режущего диска нажмите на кнопку фиксации вала так, чтобы диск нельзя было повернуть, и при помощи гаечного ключа ослабьте болт с шестигранной головкой, повернув его по часовой стрелке. Затем снимите болт с шестигранной головкой, внешний фланец и режущий диск.

- **Рис.19:** 1. Внутренний фланец 2. Пильный диск 3. Наружный фланец 4. Болт с шестигранной головкой

Установка режущего диска выполняется в обратном порядке. **ХОРОШО ЗАТЯНИТЕ БОЛТ С ШЕСТИГРАННОЙ ГОЛОВКОЙ, ПОВОРАЧИВАЯ ЕГО ПРОТИВ ЧАСОВОЙ СТРЕЛКИ.**

При замене диска убедитесь, что вы почистили верхнее и нижнее ограждение диска от скопившихся опилок в соответствии с инструкциями в разделе "Техническое обслуживание". Подобные меры не подменяют собой необходимость проверки нижнего ограждения перед каждым использованием.

## Для инструмента с внутренним фланцем под полотно с отверстием, размер которого не соответствует стандарту в 15,88 мм

### ▲ВНИМАНИЕ:

- Убедитесь, что выступ "а" на внутреннем фланце, который выступает наружу, точно входит в отверстие "а". Установка диска неверной стороной может привести к возникновению опасной вибрации.

- **Рис.20:** 1. Установочный вал 2. Внутренний фланец 3. Пильный диск 4. Наружный фланец 5. Болт с шестигранной головкой

На одной стороне внутреннего фланца имеется выступ определенного диаметра, отличающийся от диаметра выступа на противоположной стороне. Правильно выбирайте сторону, выступ на которой точно соответствует отверстию на диске пилы.

Затем установите внутренний фланец на вал так, чтобы правильная сторона выступа на внутреннем фланце была обращена наружу, после чего установите диск и внешний фланец.

**УБЕДИТЕСЬ В ТОМ, ЧТО БОЛТ С ШЕСТИГРАННОЙ ГОЛОВКОЙ НАДЕЖНО ЗАТЯНУТ ПРОТИВ ЧАСОВОЙ СТРЕЛКИ.**

## Для инструмента с внутренним фланцем под пильный диск с отверстием диаметром 15,88 мм (зависит от страны)

► **Рис.21:** 1. Установочный вал 2. Внутренний фланец 3. Пильный диск 4. Наружный фланец 5. Болт с шестигранной головкой

► **Рис.22:** 1. Установочный вал 2. Внутренний фланец 3. Пильный диск 4. Наружный фланец 5. Болт с шестигранной головкой 6. Кольцо

Установите внутренний фланец на вал утопленной частью наружу, затем установите диск (при необходимости подсоедините кольцо), внешний фланец и болт с шестигранной головкой.

**УБЕДИТЕСЬ В ТОМ, ЧТО БОЛТ С ШЕСТИГРАННОЙ ГОЛОВКОЙ НАДЕЖНО ЗАТЯНУТ ПРОТИВ ЧАСОВОЙ СТРЕЛКИ.**

### **⚠ОСТОРОЖНО:**

- **Перед установкой дисковой диска на шпindelь всегда проверяйте, что между внутренним и внешним фланцами установлено кольцо с соответствующим отверстием для того диска, который вы собираетесь использовать.** Использование неправильного кольца с отверстием может привести к неправильной установке диска, что вызовет его перемещение и сильную вибрацию, которая может стать причиной потери контроля над инструментом во время работы и причинения тяжелых травм.

## Хранение шестигранного ключа

► **Рис.23:** 1. Шестигранный ключ

Когда шестигранный ключ не используется, храните его, как показано на рисунке, чтобы не потерять.

## Подключение пылесоса

*(Дополнительная принадлежность в некоторых странах)*

► **Рис.24:** 1. Пылесосный патрубок 2. Винт 3. Рычаг

► **Рис.25:** 1. Пылесос 2. Шланг

При необходимости выполнения чистого распиливания подключите к вашему инструменту пылесос Makita.

Установите сопло для пыли на инструмент при помощи винта. Затем подсоедините шланг пылесоса к соплу для пыли, как показано на рисунке.

Если инструмент не имеет сопла для пыли в стандартной комплектации, то при установке сопла для пыли замените рычаг, установленный на нижнее ограждение, на прилагаемый к соплу для пыли (дополнительная принадлежность). В противном случае сделать разрез будет невозможно, так как сопло для пыли мешает перемещению нижнего ограждения.

## ЭКСПЛУАТАЦИЯ

### **⚠ВНИМАНИЕ:**

- Обязательно осторожно перемещайте инструмент по направлению вперед по прямой линии. Применение силы или кручение инструмента приведут к перегреву двигателя и опасному отскоку, результатом чего может стать серьезная травма.
- Всегда используйте переднюю и заднюю ручки; во время работы крепко держите инструмент за обе ручки.

► **Рис.26**

Крепко держите инструмент. Данный инструмент оборудован и передней рукояткой, и задней ручкой. Для надежного удержания инструмента пользуйтесь ими обеими. Если держать пилу обеими руками, их нельзя поранить диском. Установите основание на обрабатываемую деталь, при этом диск не должен ее касаться. Затем включите инструмент и подождите, пока диск наберет полную скорость. Теперь просто перемещайте инструмент вперед по поверхности обрабатываемой детали, при этом пила должна ровно лежать на плоскости, и аккуратно продвигайте пилу до завершения распиливания. Для достижения чистых распилов, соблюдайте ровную линию распила и равномерную скорость продвижения. Если инструмент не идет по намеренной линии распила, не пытайтесь поворачивать или прилагать усилия к инструменту, чтобы вернуть его к линии распила. Это может привести к заклиниванию диска, опасному отскоку и возможной серьезной травме. Отпустите переключатель, дождитесь остановки диска и поднимите инструмент. Выровняйте инструмент по новой линии распила и начните пиление заново. Попробуйте избежать такого положения, при котором на оператора попадает щепка и древесина, вылетающая из-под пилы. Пользуйтесь средствами защиты глаз для предотвращения травм.

## Направляющая планка (направляющая линейка) (дополнительная принадлежность)

► **Рис.27:** 1. Зажимной винт 2. Направляющая планка (направляющая линейка)

Удобная направляющая планка помогает вам делать исключительно точные прямые пропилы. Просто выдвиньте направляющую планку к боковой поверхности детали и закрепите ее в этом положении при помощи винта, расположенного на передней части основания. Она позволяет также осуществлять повторное отпиливание деталей одинаковой ширины.

## ТЕХОБСЛУЖИВАНИЕ

### ⚠ ВНИМАНИЕ:

- Перед проведением каких-либо работ с инструментом всегда проверяйте, что инструмент отключен, а блок аккумуляторов снят.
- **Очистите верхнее и нижнее ограждение, чтобы убедиться в отсутствии опилок, которые могут затруднять работу нижнего ограждения.** Загрязненное ограждение может ограничивать работу, что может привести к серьезным травмам. Наиболее эффективный способ – это выполнение данной очистки с помощью сжатого воздуха. **Если пыль выдувается из ограждений, обязательно используйте надлежащие средства защиты глаз и органов дыхания.**
- Запрещается использовать бензин, лигроин, растворитель, спирт и т.п. Это может привести к изменению цвета, деформации и появлению трещин.

## Регулировки для точного пиления под углом 0° и 45° (вертикальное пиление и пиление под углом 45°)

- **Рис.28:** 1. Регулировочный винт для 45°  
2. Регулировочный винт для 0°

- **Рис.29:** 1. Треугольная линейка

Эти регулировки были сделаны на заводе-изготовителе. Если настройка сбилась, отрегулируйте ее при помощи регулировочных винтов и шестигранного ключа, проверяя положение лезвий под углом 0° или 45° к основанию с помощью треугольника, квадратной линейки и т. п. Для регулировки угла 45° используйте стопор на 45°.

## Регулировка направляющей для снятия фаски

- **Рис.30:** 1. Направляющая для снятия фаски  
2. Винт 3. Направляющая

Направляющая для снятия фаски отрегулирована на заводе. Если ее регулировка нарушается, выполните следующую процедуру.

Чтобы отрегулировать направляющую для снятия фаски, ослабьте два винта. Выровняйте линию 0° на направляющей для распиливания под углом с направляющей на основании, когда последнее находится под углом 0°.

Для обеспечения БЕЗОПАСНОСТИ и НАДЕЖНОСТИ оборудования, ремонт, любое другое техобслуживание или регулировку необходимо производить в уполномоченных сервис-центрах Makita, с использованием только сменных частей производства Makita.

## ДОПОЛНИТЕЛЬНЫЕ ПРИНАДЛЕЖНОСТИ

### ⚠ ВНИМАНИЕ:

- Эти принадлежности или насадки рекомендуются использовать вместе с вашим инструментом Makita, описанным в данном руководстве. Использование каких-либо других принадлежностей или насадок может представлять опасность получения травм. Используйте принадлежность или насадку только по указанному назначению.

Если вам необходимо содействие в получении дополнительной информации по этим принадлежностям, свяжитесь со своим местным сервис-центром Makita.

- Пильные диски
- Направляющая планка (направляющая линейка)
- Направляющая стола
- Адаптер направляющей стола
- Направляющий стержень
- Сопло для пыли
- Шестигранный ключ
- Оригинальный аккумулятор и зарядное устройство Makita

### ПРИМЕЧАНИЕ:

- Некоторые элементы списка могут входить в комплект инструмента в качестве стандартных приспособлений. Они могут отличаться в зависимости от страны.



**Makita Europe N.V.** Jan-Baptist Vinkstraat 2,  
3070 Kortenberg, Belgium

**Makita Corporation** 3-11-8, Sumiyoshi-cho,  
Anjo, Aichi 446-8502 Japan

[www.makita.com](http://www.makita.com)

885374B983  
EN, SV, NO, FI, LV,  
LT, ET, RU  
20170803