

F-18 (FN55AX) ***18 GAUGE BRAD NAILER***

SENCO[®]



Parts Reference Guide



*** Schematic drawings inside**

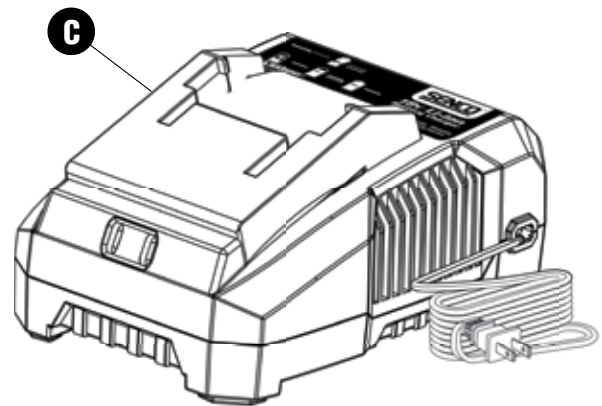
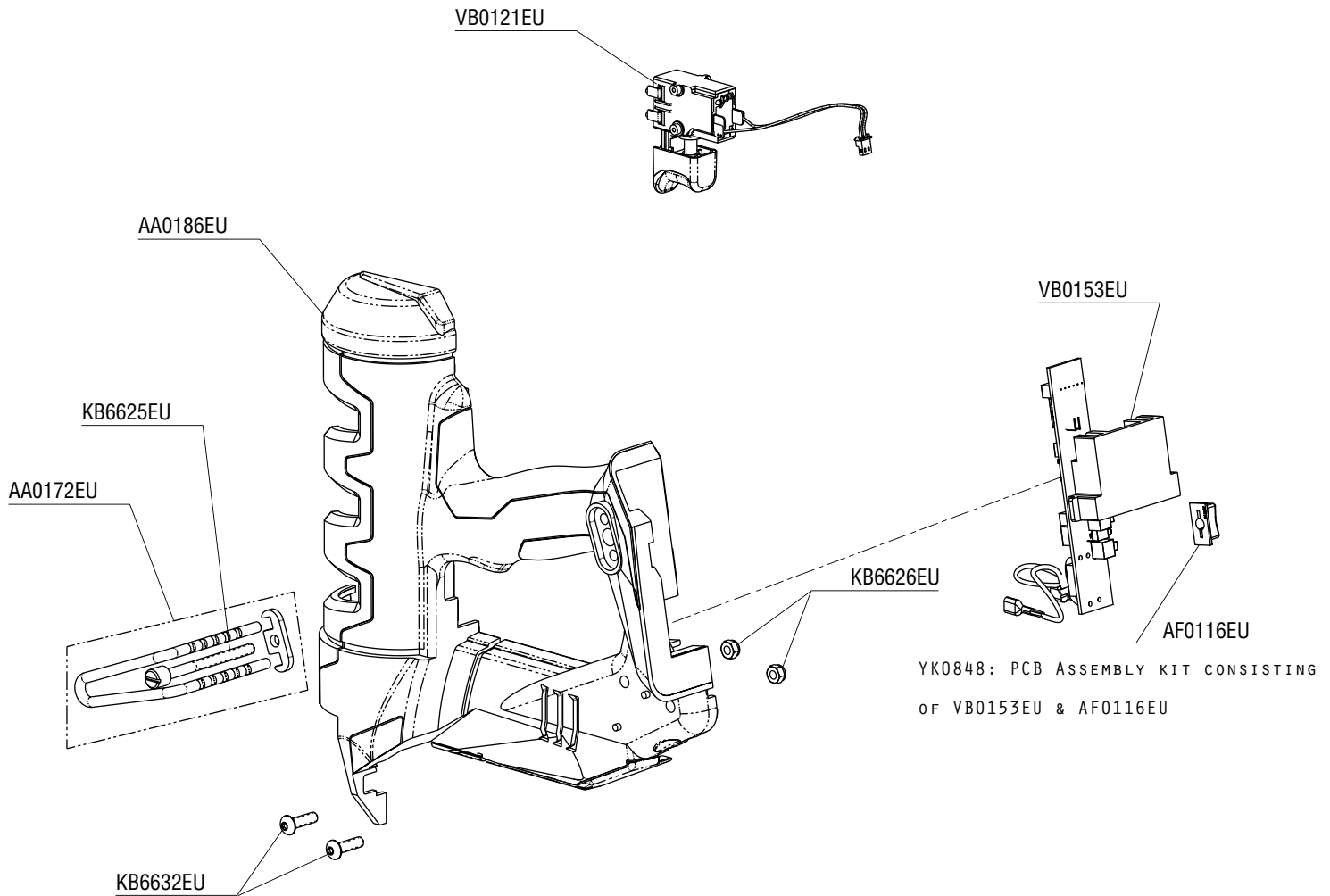
NFE06E Revised March 6, 2013 (Replaces 12/5/11) © 2013 by SENCO Brands, Inc. Cincinnati, Ohio 45245—U.S.A.

Senco Brands Inc.
4270 Ivy Pointe Blvd.
Cincinnati, Ohio 45245
Visit Our Website: www.senco.com
EMEA Website: www.verpa-senco.com

*Questions? Comments? call SENCO's toll-free Action-line:
1-800-543-4596 (North & South America only)
or e-mail: toolprof@senco.com*

FN55AX 18 Gauge Brad Nailer

SENCO[®]

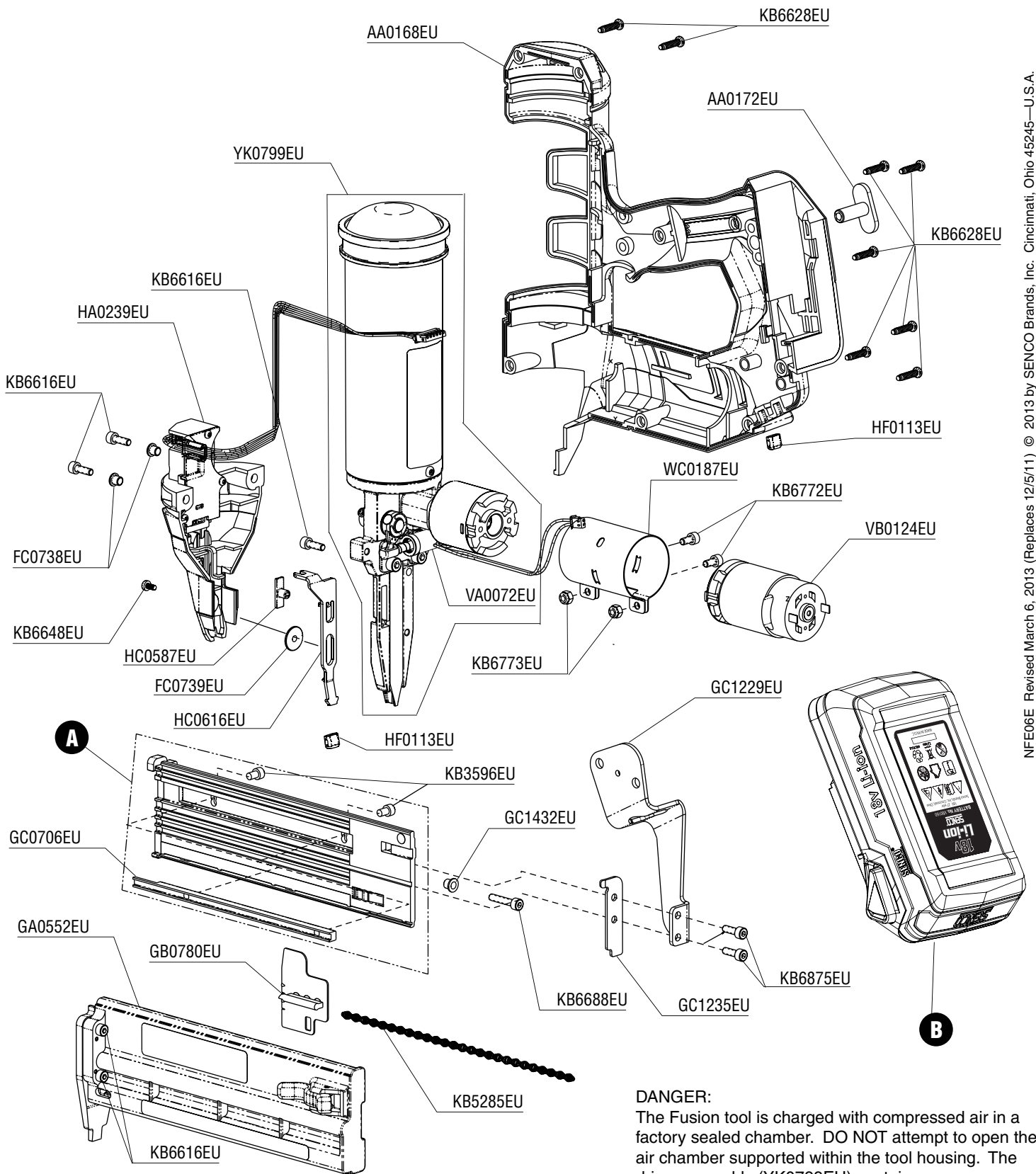


Tool #	A	B	C
6E2001N (EU)	GA0554EU	VB0160EU	VB0157EU
6E7001N (UK)	GA0554EU	VB0160EU	VB0159EU

EU DESIGNED PARTS CAN BE DIFFERENT

FN55AX 18 Gauge Brad Nailer

SENCO



EU DESIGNED PARTS CAN BE DIFFERENT

DANGER:

The Fusion tool is charged with compressed air in a factory sealed chamber. DO NOT attempt to open the air chamber supported within the tool housing. The driver assembly (YK0799EU) contains no user-serviceable parts. Major components such as the piston/driver assembly, gearbox, piston stop and guide body are all part of the drive assembly.

- Deliberate tampering with the drive assembly may result in the release of the driver.
- Any repair or upgrade requiring access to the pressure chamber should be handled by an authorized Senco dealer or service center.

FN55AX 18 Gauge Brad Nailer

REPLACEMENT PARTSLIST • LISTA DE PARTES DE REPUESTO • ERSATSTEILE-LISTE • LISTE DE PIÈCES DE RECHANGE

PART NO.	DESCRIPTION	DESCRIPCIÓN	BESCHREIBUNG	DÉSIGNATION
AA0172EU	BELT HOOK	GANCHO DE CINTURÓN	GURTHAKEN	CROCHET DE CEINTURE
AA0168EU	BODY, RIGHT HALF	CARCASA	GEHÄUSE	CORPS
AA0186EU	BODY, LEFT HALF	CARCASA	GEHÄUSE	CORPS
AF0116EU	ACTUATOR	CUBIERTA	ABDECKUNG	COUVERCLE
FC0738EU	STANDOFF	SEPARADOR	SISTANZSTÜCK	ENTRETOISE
FC0739EU	STANDOFF	SEPARADOR	SISTANZSTÜCK	ENTRETOISE
GA0552EU	RAIL ASSY, MOVEABLE	CARRIL	SCHIENE	RAIL
GA0554EU	RAIL ASSY	CARRIL	SCHIENE	RAIL
GB0780EU	FEEDER SHOE ASY	ALIMENTADOR	NAGELSCHIEBER	POUSSOIR
GC0706EU	MAGAZINE RAIL	CARRIL	SCHIENE	RAIL
GC1229EU	BRACKET	BRAZO	HALTERUNG	CAVALIER
GC1235EU	LATCH PLATE	PLACA	PLATTE	PLAQUE
GC1432EU	INSERT	ACOPLAMIENTO	EINSATZ	INSERT
HA0239EU	SAFETY ASY	ASAMBLE DE SEGURO	SICHERHEITSVORRICHTUNG	PALPEUR DE SÉCURITÉ
HC0587EU	INDICATOR	MANOMÉTRICA	ZEIGER	BAGUETTE
HC0616EU	SAFETY ELEMENT	ASAMBLE DE SEGURO	SICHERHEITSVORRICHTUNG	PALPEUR DE SÉCURITÉ
HF0113EU	NO-MAR PAD	AMORTIGUADOR	SCHUTZ	COUSSIN
KB3596EU	SCREW	TORNILLO	SCHRAUBE	VIS
KB5285EU	SPRING	MUELLE	FEDER	RESSORT
KB6616EU	SCREW	TORNILLO	SCHRAUBE	VIS
KB6625EU	SCREW	TORNILLO	SCHRAUBE	VIS
KB6626EU	NUT	TUERCA	MUTTER	ÉCROU
KB6628EU	SCREW	TORNILLO	SCHRAUBE	VIS
KB6632EU	SCREW	TORNILLO	SCHRAUBE	VIS
KB6648EU	SCREW	TORNILLO	SCHRAUBE	VIS
KB6688EU	SCREW	TORNILLO	SCHRAUBE	VIS
KB6772EU	SCREW	TORNILLO	SCHRAUBE	VIS
KB6773EU	NUT	TUERCA	MUTTER	ÉCROU
KB6875EU	SCREW	TORNILLO	SCHRAUBE	VIS
VA0072EU	SOLENOID	SOLENOIDE	MAGNETVENTIL	SOLÉNOÏDE
VB0121EU	TRIGGER	GATILLO	AUSLÖSER	GÂCHETTE
VB0153EU	PCB HOUSING	ALOJAMIENTO	GEHÄUSE	CORPS
VB0124EU	MOTOR, DRIVE ASY	MOTOR IMPULSOR	ANTRIEBSMOTOR	MOTEUR, ENTRA
VB0160EU	BATTERY	BATERIA	BATTERIE	BATTERIE
VB0157EU	CHARGER (EURO)	CARAGADOR	LADEGERÄT	CHARGEUR
VB0159EU	CHARGER (U.K.)	CARAGADOR	LADEGERÄT	CHARGEUR
WC0187EU	CLAMP	ALOJAMIENTO	GEHÄUSE	CORPS
YK0799EU	DRIVE ASY (EU)	MECHANISM DE PERCUSOR	TREIBEN-ZUSAMMENBAU	ENFONCER D'ASSEMBLÉE