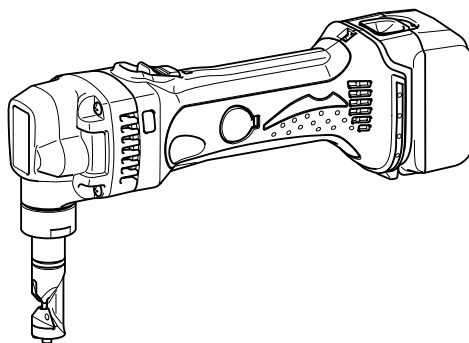
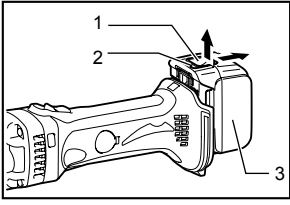




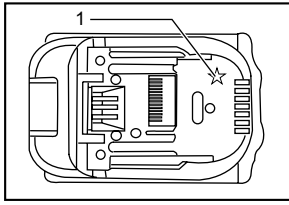
GB	Cordless Nibbler	INSTRUCTION MANUAL
S	Batteridriven nibblingsmaskin	BRUKSANVISNING
N	Trådløs nibbler	BRUKSANVISNING
FIN	Akkukäyttöinen nakertaja	KÄYTTÖOHJE
LV	Bezvada izciršanas šķēres	LIETOŠANAS INSTRUKCIJA
LT	Belaidės skardos žirklys	NAUDOJIMO INSTRUKCIJA
EE	Juhtmeta lõikur	KASUTUSJUHEND
RUS	Аккумуляторные Высечные Ножницы	РУКОВОДСТВО ПО ЭКСПЛУАТАЦИИ

BJN160
BJN161

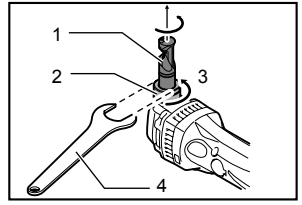




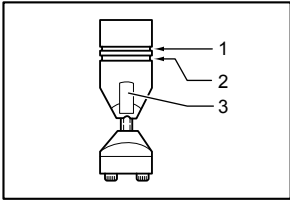
1 013273



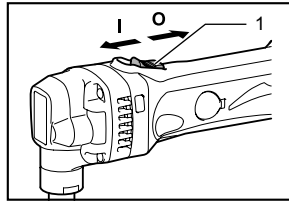
2 012128



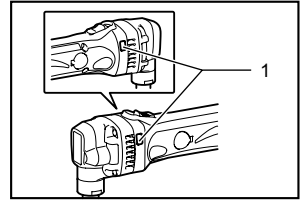
3 013275



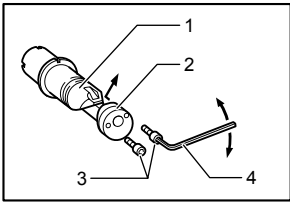
4 004775



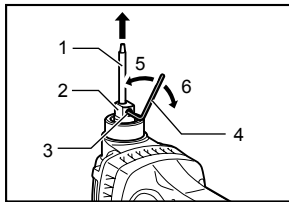
5 013276



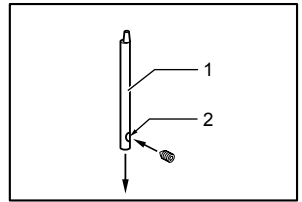
6 013277



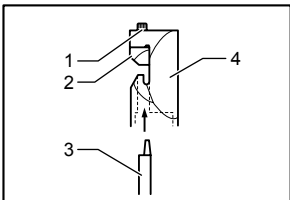
7 004779



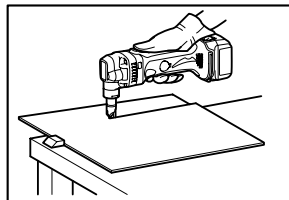
8 013274



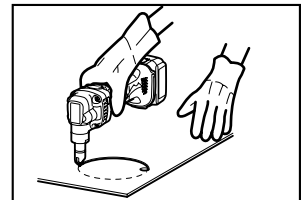
9 004781



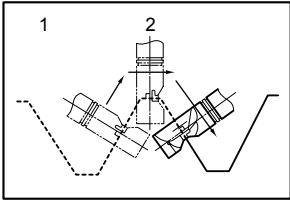
10 004782



11 013278

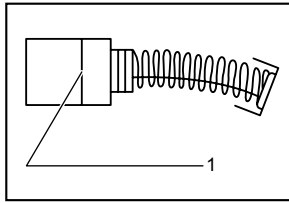


12 013279



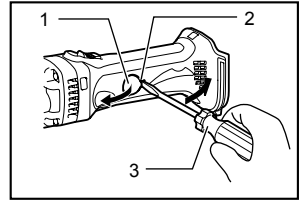
13

004791



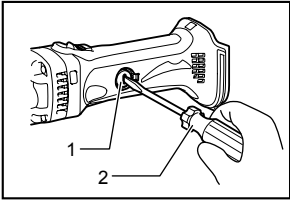
14

001145



15

013281



16

013282

ENGLISH (Original instructions)

Explanation of general view

1-1. Button	6-1. Indicating lamp	10-2. Die
1-2. Red indicator	7-1. Die holder	10-3. Punch
1-3. Battery cartridge	7-2. Die	10-4. Die holder
2-1. Star marking	7-3. Bolts	13-1. From the side view
3-1. Die holder	7-4. Hex wrench	13-2. Cutting head should be at a right angle (90°) to cutting surface.
3-2. Lock nut	8-1. Punch	14-1. Limit mark
3-3. Loosen	8-2. Punch holder	15-1. Holder cap cover
3-4. Wrench	8-3. Screw	15-2. Notch
4-1. Gauge for cutting stainless: 1.2 mm (3/64")	8-4. Hex wrench	15-3. Screwdriver
4-2. Gauge for cutting mild steel: 1.6 mm (1/16")	8-5. Loosen	16-1. Brush holder cap
4-3. Notch	8-6. Tighten	16-2. Screwdriver
5-1. Slide switch	9-1. Punch	
	9-2. Notch	
	10-1. Bolts	

SPECIFICATIONS

Model	BJN160	BJN161
Max. cutting capacities	Steel up to 400 N/mm ²	1.6 mm / 16 ga
	Steel up to 600 N/mm ²	1.2 mm / 18 ga
	Aluminum up to 200 N/mm ²	2.5 mm / 12 ga
Min. cutting radius	Outside edge	50 mm
	Inside edge	45 mm
Strokes per minute (min ⁻¹)	1,900	1,900
Overall length	313 mm	313 mm
Net weight	2.1 kg	2.2 kg
Rated voltage	D.C. 14.4 V	D.C. 18 V

- Due to our continuing program of research and development, the specifications herein are subject to change without notice.
- Specifications and battery cartridge may differ from country to country.
- Weight, with battery cartridge, according to EPTA-Procedure 01/2003

ENE037-1

ENG900-1

Intended use

The tool is intended for cutting sheet steel and stainless sheet steel.

ENG905-1

Noise

The typical A-weighted noise level determined according to EN60745:

Model BJN160

Sound pressure level (L_{pA}): 72 dB (A)

Uncertainty (K): 3 dB (A)

The noise level under working may exceed 80 dB (A).

Model BJN161

Sound pressure level (L_{pA}): 73 dB (A)

Uncertainty (K): 3 dB (A)

The noise level under working may exceed 80 dB (A).

Wear ear protection

Vibration

The vibration total value (tri-axial vector sum) determined according to EN60745:

Model BJN160

Work mode : cutting sheet metal

Vibration emission (a_h): 7.0 m/s²

Uncertainty (K): 1.5 m/s²

Model BJN161

Work mode : cutting sheet metal

Vibration emission (a_h): 6.5 m/s²

Uncertainty (K): 1.5 m/s²

ENG901-1

- The declared vibration emission value has been measured in accordance with the standard test method and may be used for comparing one tool with another.
- The declared vibration emission value may also be used in a preliminary assessment of exposure.

⚠ WARNING:

- The vibration emission during actual use of the power tool can differ from the declared emission value depending on the ways in which the tool is used.
- Be sure to identify safety measures to protect the operator that are based on an estimation of exposure in the actual conditions of use (taking account of all parts of the operating cycle such as the times when the tool is switched off and when it is running idle in addition to the trigger time).

ENH101-16

For European countries only

EC Declaration of Conformity

We Makita Corporation as the responsible manufacturer declare that the following Makita machine(s):

Designation of Machine:

Cordless Nibbler

Model No./ Type: BJN160, BJN161

are of series production and

Conforms to the following European Directives:

2006/42/EC

And are manufactured in accordance with the following standards or standardised documents:

EN60745

The technical documentation is kept by:

Makita International Europe Ltd.

Technical Department,

Michigan Drive, Tongwell,

Milton Keynes, Bucks MK15 8JD, England

26.4.2012



000230

Tomoyasu Kato

Director

Makita Corporation

3-11-8, Sumiyoshi-cho,

Anjo, Aichi, 446-8502, JAPAN

GEA010-1

General Power Tool Safety Warnings

⚠ WARNING Read all safety warnings and all instructions. Failure to follow the warnings and instructions may result in electric shock, fire and/or serious injury.

Save all warnings and instructions for future reference.

NIBBLER SAFETY WARNINGS

1. Hold the tool firmly.
2. Secure the workpiece firmly.
3. Keep hands away from moving parts.
4. Edges and chips of the workpiece are sharp. Wear gloves. It is also recommended that you put on thickly bottomed shoes to prevent injury.
5. Do not put the tool on the chips of the workpiece. Otherwise it can cause damage and trouble on the tool.
6. Do not leave the tool running. Operate the tool only when hand-held.
7. Always be sure you have a firm footing. Be sure no one is below when using the tool in high locations.
8. Do not touch the punch, die or the workpiece immediately after operation; they may be extremely hot and could burn your skin.
9. Avoid cutting electrical wires. It can cause serious accident by electric shock.

SAVE THESE INSTRUCTIONS.

⚠ WARNING:

DO NOT let comfort or familiarity with product (gained from repeated use) replace strict adherence to safety rules for the subject product. **MISUSE** or failure to follow the safety rules stated in this instruction manual may cause serious personal injury.

ENC007-8

IMPORTANT SAFETY INSTRUCTIONS

FOR BATTERY CARTRIDGE

1. Before using battery cartridge, read all instructions and cautionary markings on (1) battery charger, (2) battery, and (3) product using battery.
2. Do not disassemble battery cartridge.
3. If operating time has become excessively shorter, stop operating immediately. It may result in a risk of overheating, possible burns and even an explosion.
4. If electrolyte gets into your eyes, rinse them out with clear water and seek medical attention right away. It may result in loss of your eyesight.
5. Do not short the battery cartridge:
 - (1) Do not touch the terminals with any conductive material.
 - (2) Avoid storing battery cartridge in a container with other metal objects such as nails, coins, etc.

- (3) Do not expose battery cartridge to water or rain.

A battery short can cause a large current flow, overheating, possible burns and even a breakdown.

6. Do not store the tool and battery cartridge in locations where the temperature may reach or exceed 50 ° C (122 ° F).
7. Do not incinerate the battery cartridge even if it is severely damaged or is completely worn out. The battery cartridge can explode in a fire.
8. Be careful not to drop or strike battery.
9. Do not use a damaged battery.
10. Follow your local regulations relating to disposal of battery.

SAVE THESE INSTRUCTIONS.

Tips for maintaining maximum battery life

1. Charge the battery cartridge before completely discharged.
Always stop tool operation and charge the battery cartridge when you notice less tool power.
2. Never recharge a fully charged battery cartridge.
Overcharging shortens the battery service life.
3. Charge the battery cartridge with room temperature at 10 ° C - 40 ° C (50 ° F - 104 ° F). Let a hot battery cartridge cool down before charging it.
4. Charge the battery cartridge once in every six months if you do not use it for a long period of time.

FUNCTIONAL DESCRIPTION

⚠CAUTION:

- Always be sure that the tool is switched off and the battery cartridge is removed before adjusting or checking function on the tool.

Installing or removing battery cartridge

Fig.1

⚠CAUTION:

- Always switch off the tool before installing or removing of the battery cartridge.
- **Hold the tool and the battery cartridge firmly when installing or removing battery cartridge.** Failure to hold the tool and the battery cartridge firmly may cause them to slip off your hands and result in damage to the tool and battery cartridge and a personal injury.

To remove the battery cartridge, slide it from the tool while sliding the button on the front of the cartridge.

To install the battery cartridge, align the tongue on the battery cartridge with the groove in the housing and slip it into place. Insert it all the way until it locks in place with a little click. If you can see the red indicator on the upper side of the button, it is not locked completely.

⚠CAUTION:

- Always install the battery cartridge fully until the red indicator cannot be seen. If not, it may accidentally fall out of the tool, causing injury to you or someone around you.
- Do not install the battery cartridge forcibly. If the cartridge does not slide in easily, it is not being inserted correctly.

Battery protection system

The tool is equipped with a battery protection system. This system automatically cuts off power to the motor to extend battery life.

The tool will automatically stop during operation if the tool and/or battery are placed under one of the following conditions:

- **Overloaded:**
The tool is operated in a manner that causes it to draw an abnormally high current.
In this situation, turn the tool off and stop the application that caused the tool to become overloaded. Then turn the tool on to restart.
If the tool does not start, the battery is overheated. In this situation, let the battery cool before turning the tool on again.
- **Low battery voltage:**
The remaining battery capacity is too low and the tool will not operate. In this situation, remove and recharge the battery.

NOTE:

The overheat protection works only with a battery cartridge with a star mark.

Fig.2**Changing the die position****Fig.3**

The die holder position can be changed 360°. To change it, proceed as follows.

1. Loosen the lock nut with the wrench provided.
2. Pull the die holder slightly and turn it to the desired position for operation.
3. Tighten the lock nut to secure the die holder in the desired position.

There are four positive stops at 90° each: 0°, 90° left and right and 180°. To position the die to any of these positive stops:

4. Loosen the lock nut with the wrench provided.
5. Pull the die holder slightly and depress lightly while turning it to the desired position. The die holder will lock into one of the positive stop positions as desired.
6. Turn the die holder slightly to make sure that it is positively locked into position.
7. Tighten the lock nut to secure the die holder.

Permissible cutting thickness**Fig.4**

The thickness of material to be cut depends upon the tensile strength of the material itself. The groove on the die holder acts as a thickness gauge for allowable cutting thickness. Do not attempt to cut any material which will not fit into this groove.

Cutting line

The notch in the die holder indicates your cutting line. Its width is equal to the cutting width. Align the notch to the cutting line on the workpiece when cutting.

Switch action**Fig.5****⚠CAUTION:**

- Before inserting the battery cartridge into the tool, always check to see that the slide switch actuates properly and returns to the "OFF" position when the rear of the slide switch is depressed.
- Switch can be locked in "ON" position for ease of operator comfort during extended use. Apply caution when locking tool in "ON" position and maintain firm grasp on tool.

To start the tool, slide the slide switch toward the "I (ON)" position. For continuous operation, press the front of the slide switch to lock it.

To stop the tool, press the rear of the slide switch, then slide it toward the "O (OFF)" position.

Indication lamp with multi function**Fig.6**

Indication lamps are located in two positions.

- **Battery cartridge replacing signal**
 - When the battery power is almost used up during operation, the red lamp lights up and the tool stops immediately. Replace the battery with fully charged one when the red lamp lights up.
- **Accidental re-start preventive function**
 - Even if the battery cartridge is inserted on the tool with the slide switch in the "I (ON)" position, the tool does not start. At this time, the lamp flickers slowly and this shows that the accidental re-start preventive function is at work.
 - To start the tool, first slide the slide switch toward the "O (OFF)" position and then slide it toward the "I (ON)" position.

ASSEMBLY**⚠CAUTION:**

- Always be sure that the tool is switched off and the battery cartridge is removed before carrying out any work on the tool.

Removing or installing the punch and die**Fig.7**

Always replace the punch and die as a set. To remove the punch and die, loosen the lock nut with the wrench. Remove the die holder from the tool. Use the hex wrench to loosen the bolts which secure the die. Remove the die from the die holder.

Use the hex wrench to loosen the screw which secures the punch. Pull the punch out of the punch holder.

Fig.8

To install the punch and die, insert the punch into the punch holder so that the notch in the punch faces toward the screw. Tighten the screw to secure the punch. Install the die on the die holder. Tighten the bolts to secure the die.

Fig.9

Then install the die holder on the tool so that the punch is inserted through the hole in the die holder. Tighten the lock nut to secure the die holder. After replacing the punch and die, lubricate them with machine oil and run the tool for a while.

Fig.10

OPERATION

Pre-lubrication

Coat the cutting line with machine oil to increase the punch and die service life. This is particularly important when cutting aluminum.

Cutting method

Fig.11

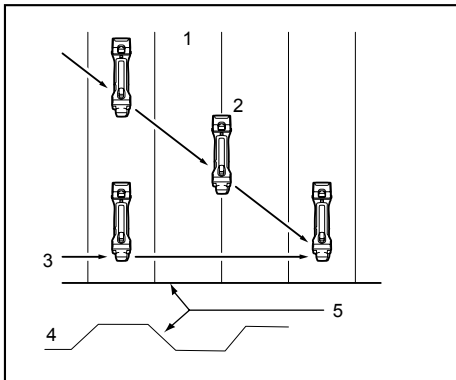
Hold the tool so that the cutting head is at a right angle (90°) to the workpiece being cut. Move the tool gently in the cutting direction.

Cutouts

Fig.12

Cutouts can be done by first opening a round hole over 21 mm in diameter which the cutting head can be inserted into.

Cutting the corrugated or trapezoidal sheet metals



1. From the top view
2. Cutting at an angle to grooves
3. Cutting perpendicular to grooves
4. From the side view
5. Corrugated or trapezoidal sheet metal

013280

Set the die position so that the die faces the cutting direction either when cutting at an angle or perpendicular to grooves in corrugated or trapezoidal sheet metals.

Fig.13

Always hold the tool body parallel to the grooves with the cutting head at a right angle (90°) to the cutting surface as shown in the figure.

MAINTENANCE

⚠CAUTION:

- Always be sure that the tool is switched off and the battery cartridge is removed before attempting to perform inspection or maintenance.
- Never use gasoline, benzene, thinner, alcohol or the like. Discoloration, deformation or cracks may result.

Replacing carbon brushes

Fig.14

Remove and check the carbon brushes regularly. Replace when they wear down to the limit mark. Keep the carbon brushes clean and free to slip in the holders. Both carbon brushes should be replaced at the same time. Use only identical carbon brushes.

Insert the top end of slotted bit screwdriver into the notch in the tool and remove the holder cap cover by lifting it up.

Fig.15

Use a screwdriver to remove the brush holder caps. Take out the worn carbon brushes, insert the new ones and secure the brush holder caps.

Fig.16

Reinstall the holder cap cover on the tool. To maintain product SAFETY and RELIABILITY, repairs, any other maintenance or adjustment should be performed by Makita Authorized Service Centers, always using Makita replacement parts.

OPTIONAL ACCESSORIES

⚠CAUTION:

- These accessories or attachments are recommended for use with your Makita tool specified in this manual. The use of any other accessories or attachments might present a risk of injury to persons. Only use accessory or attachment for its stated purpose.

If you need any assistance for more details regarding these accessories, ask your local Makita Service Center.

- Die
- Punch
- Hex wrench
- Wrench 32
- Makita genuine battery and charger

NOTE:

- Some items in the list may be included in the tool package as standard accessories. They may differ from country to country.

SVENSKA (Originalbruksanvisning)

Förklaring till översiktsbilderna

1-1. Knapp	6-1. Indikatorlampa	10-2. Dyna
1-2. Röd indikator	7-1. Fäste till dyna	10-3. Stans
1-3. Batterikassett	7-2. Dyna	10-4. Fäste till dyna
2-1. Stjärnmarkering	7-3. Skruvar	13-1. Sett från sidan
3-1. Fäste till dyna	7-4. Insexnyckel	13-2. Skårhuvudet skall vara i rät vinkel (90°) mot skärytan.
3-2. Låsmutter	8-1. Stans	14-1. Slitmarkering
3-3. Lossa	8-2. Stanshållare	15-1. Skyddslock
3-4. Skruvnyckel	8-3. Skruv	15-2. Ås
4-1. Anslag för skärning av rostfritt: 1,2 mm (3/64")	8-4. Insexnyckel	15-3. Skruvmejsel
4-2. Anslag för skärning av lättstål: 1,6 mm (1/16")	8-5. Lossa	16-1. Kolhållarlock
4-3. Ås	8-6. Dra fast	16-2. Skruvmejsel
5-1. Skjutknapp	9-1. Stans	
	9-2. Ås	
	10-1. Skruvar	

SPECIFIKATIONER

Modell		BJN160	BJN161
Max. sågkapacitet	Stål upp till 400 N/mm ²	1,6 mm / 16 ga	1,6 mm / 16 ga
	Stål upp till 600 N/mm ²	1,2 mm / 18 ga	1,2 mm / 18 ga
	Aluminium upp till 200 N/mm ²	2,5 mm / 12 ga	2,5 mm / 12 ga
Min. skärradie	Ytterkant	50 mm	50 mm
	Innerkant	45 mm	45 mm
Slag per minut (min ⁻¹)		1 900	1 900
Längd		313 mm	313 mm
Vikt		2,1 kg	2,2 kg
Märkspänning		14,4 V likström	18 V likström

- På grund av vårt pågående program för forskning och utveckling kan dessa specifikationer ändras utan föregående meddelande.
- Specifikationer och batterikassett kan variera från land till land.
- Vikt med batterikassett i enlighet med EPTA-procedur 01/2003

ENE037-1

ENG900-1

Användningsområde

Verktöget är avsett för skärning i olegerat stål och rostfri stålplåt.

ENG905-1

Buller

Typiska A-vägda bullernivån är mätt enligt EN60745:

Modell BJN160

Ljudtrycksnivå (L_{pA}): 72 dB (A)

Måttolerans (K): 3 dB (A)

Bullernivån vid arbete kan överstiga 80 dB (A).

Modell BJN161

Ljudtrycksnivå (L_{pA}): 73 dB (A)

Måttolerans (K): 3 dB (A)

Bullernivån vid arbete kan överstiga 80 dB (A).

Använd hörselskydd

Vibration

Vibrationens totalvärde (tre-axlars vektorsumma) mätt enligt EN60745:

Modell BJN160

Arbetsläge: skära plåt

Vibrationsemission (a_h): 7,0 m/s²

Måttolerans (K): 1,5 m/s²

Modell BJN161

Arbetsläge: skära plåt

Vibrationsemission (a_h): 6,5 m/s²

Måttolerans (K): 1,5 m/s²

ENG901-1

- Det deklarerade vibrationsemissionsvärdet har uppmätts i enlighet med standardtestmetoden och kan användas för jämförandet av en maskin med en annan.
- Det deklarerade vibrationsemissionsvärdet kan också användas i preliminär bedömning av exponering för vibration.

⚠ VARNING!

- Vibrationsemissionen under faktisk användning av maskinen kan skilja sig från det deklarerade emissionsvärdet, beroende på hur maskinen används.
- Se till att hitta säkerhetsåtgärder som kan skydda användaren och som grundar sig på en uppskattning av exponering i verkligheten (ta med i beräkningen alla delar av användandet såsom antal gånger maskinen är avstängd och när den körs på tomgång samt då startomkopplaren används).

ENH101-16

Gäller endast Europa

EU-konformitetsdeklaration

Vi Makita Corporation som ansvariga tillverkare deklarerar att följande Makita-maskin(er):

Maskinbeteckning:

Batteridrivna nibblingsmaskin

Modellnr./ Typ: BJN160, BJN161

är för serieproduktion och

Följer följande EU-direktiv:

2006/42/EC

Och är tillverkade enligt följande standarder eller standardiseringsdokument:

EN60745

Den tekniska dokumentationen förs av:

Makita International Europe Ltd.

Technical Department,

Michigan Drive, Tongwell,

Milton Keynes, Bucks MK15 8JD, England

26.4.2012



Tomoyasu Kato

Direktör

Makita Corporation

3-11-8, Sumiyoshi-cho,

Anjo, Aichi, 446-8502, JAPAN

000230

GEA010-1

Allmänna säkerhetsvarningar för maskin

⚠ VARNING Läs igenom alla säkerhetsvarningar och instruktioner. Underlåtenhet att följa varningar och instruktioner kan leda till elektrisk stöt, brand och/eller allvarliga personskador.

Spara alla varningar och instruktioner för framtida referens.

SÄKERHETSVARNINGAR FÖR NIBBLINGSMASKIN

1. Håll maskinen stadigt.
2. Sätt fast arbetsstycket ordentligt.
3. Håll händerna borta från rörliga delar.
4. Arbetsstyckets kanter och spån är vassa. Bär handskar. Vi rekommenderar även att du använder skor med tjocka sulor för att förhindra skada.
5. Lägg inte verktyget på arbetsstyckets spån. Det kan orsaka skada och problem med verktyget.
6. Lämna inte maskinen igång. Använd endast maskinen när du håller den i händerna.
7. Se till att du hela tiden har ett säkert fotfäste. Se till att ingen står under dig när maskinen används på hög höjd.
8. Rör inte vid stansen, stiftet eller arbetsstycket omedelbart efter användning eftersom de kan vara mycket heta och orsaka brännskador.
9. Undvik att skära i elektriska ledningar. Det kan orsaka allvarliga olyckor genom elektriska stötar.

SPARA DESSA ANVISNINGAR.

⚠ VARNING!

GLÖM INTE att noggrant följa säkerhetsanvisningarna för maskinen även efter det att du har blivit van att använda den. **OVARSAM** hantering eller underlåtenhet att följa säkerhetsanvisningarna i denna bruksanvisning kan leda till allvarliga personskador.

ENC007-8

VIKTIGA SÄKERHETSANVISNINGAR FÖR BATTERIKASSETT

1. Innan batterikassetten används ska alla instruktioner och varningsmärken på (1) batteriladdaren, (2) batteriet och (3) produkten läsas.
2. Montera inte isär batterikassetten.
3. Om drifttiden blivit avsevärt kortare ska användningen avbrytas omedelbart. Det kan uppstå överhettning, brännskador och t o m en explosion.
4. Om du får elektrolyt i ögonen ska de sköljas med rent vatten och läkare uppsökas omedelbart. Det finns risk för att synen förloras.

5. **Kortslut inte batterikassetten.**
 - (1) Rör inte vid polerna med något strömförande material.
 - (2) Undvik att förvara batterikassetten tillsammans med andra metallobjekt som t ex spikar, mynt etc.
 - (3) Skydda batteriet mot vatten och regn.

Ett kortslutet batteri kan orsaka ett stort strömförlöde, överhettning, risk för brännskador och maskinen kan till och med gå sönder.
6. Förvara inte maskinen och batterikassetten på platser där temperaturen kan nå eller överstiga 50 ° C (122 ° F).
7. Bränn inte upp batterikassetten även om den är svårt skadad eller helt utsliten. Batterikassetten kan explodera i öppen eld.
8. Var försiktig så att du inte råkar tappa batteriet och utsätt det inte för stötar.
9. Använd inte ett skadat batteri.
10. Följ lokala föreskrifter beträffande avfallshantering av batteriet.

SPARA DESSA ANVISNINGAR.

Tips för att uppnå batteriets maximala livslängd

1. Ladda batterikassetten innan den är helt urladdad.
Sluta att använda maskinen och ladda batterikassetten när du märker att kraften avtar.
2. Ladda aldrig en fulladdad batterikasset.
Överladdning förkortar batteriets livslängd.
3. Ladda batterikassetten vid rumstemperaturer mellan 10 ° C och 40 ° C (50 ° F - 104 ° F). Låt en varm batterikasset svalna innan den laddas.
4. Ladda batterikassetten om du inte har använt den på mer än sex månader.

FUNKTIONSBESKRIVNING

⚠FÖRSIKTIGT!

- Se alltid till att maskinen är avstängd och batterikassetten borttagen innan du justerar eller kontrollerar maskinens funktioner.

Montera eller demontera batterikassetten

Fig.1

⚠FÖRSIKTIGT!

- Stäng alltid av maskinen innan du monterar eller tar bort batterikassetten.
- **Håll stadigt i maskinen och batterikassetten när du installerar eller tar bort batterikassetten.** Om du inte håller stadigt i maskinen och batterikassetten kan de halka ur dina händer och skadas samt orsaka personskada.

Ta bort batterikassetten genom att skjuta ner knappen på kassetens framsida samtidigt som du drar ut batterikassetten.

Sätt i batterikassetten genom att rikta in tungan på batterikassetten mot spåret i höljet och skjut den på plats. Tryck in batterikassetten ordentligt tills den låser fast med ett klick. Om du kan se den röda indikatorn på knappens ovansida är batterikassetten inte låst ordentligt.

⚠FÖRSIKTIGT!

- Sätt alltid in batterikassetten helt tills den röda indikatorn inte längre syns. I annat fall kan den oväntat falla ur maskinen och skada dig eller någon annan.
- Montera inte batterikassetten med våld. Om kassetten inte lätt glider på plats är den felinsatt.

Skyddssystem för batteri

Maskinen är utrustad med ett batteriskyddssystem. Detta system bryter automatiskt strömmen till motorn för att förlänga batteriets livslängd.

Maskinen stanna automatiskt under användningen om maskinen och/eller batteriet hamnar i en av följande situationer:

- Överbelastad:
Maskinen används på ett sätt som orsakar att den förbrukar onormalt mycket ström.
Om detta inträffar ska du stänga av maskinen och avbryta arbetet som ledde till att maskinen blev överbelastad. Starta därefter maskinen för att starta om arbetet.
Om maskinen inte startar är batteriet överhettat. Om detta inträffar ska du låta batteriet svalna innan du startar maskinen igen.
- Batterispänningen faller:
Den kvarvarande batterikapaciteten är för låg och maskinen fungerar inte. I detta läge tar du bort batteriet och laddar det.

OBS!

Överhettningsskyddet fungerar endast med en stjämmärkt batterikasset.

Fig.2

Ändring av dynans läge

Fig.3

Dynans fästläge kan ändras 360°. För att ändra det, gör följande:

1. Lossa låsmuttern med den medföljande nyckeln.
2. Dra ut dynans fäste något och vrid det till önskat arbetsläge.
3. Dra fast låsmuttern för att låsa dynans fäste i önskat läge.

Det finns fyra fasta stopp vid 90° delning: 0°, 90° till vänster och höger samt 180°. Dynan låses i något av dessa lägen på följande sätt:

4. Lossa låsmuttern med den medföljande nyckeln.
5. Dra ut dynans fäste något och tryck sedan in det samtidigt som det vrids till önskat fast läge. Dynans fäste kommer att låsa fast i det önskade läget.
6. Vrid fästet något för att kontrollera att det har låst fast i läget.
7. Dra åt låsmuttern för att fästa dynans fäste.

Tillåten nibblingstjocklek

Fig.4

Tjockleken på det material som ska nibblas beror på själva materialets draghållfasthet. Spåret på dynans fäste fungerar som måttolk för maximal tjocklek. Försök inte att nibbla något material som inte passar in i detta spår.

Nibbling

Spåret i dynans fäste visar din nibblingslinje. Dess bredd motsvarar spårbreddens vid nibblingen. Spåret ska följa den tänkta nibblingslinjen längs arbetsstycket.

Avtryckarens funktion

Fig.5

⚠FÖRSIKTIGT!

- Innan du sätter i batterikassetten i maskinen skall du kontrollera att skjutknappen fungerar och återgår till läget "OFF" när du trycker på den bakre delen av skjutknappen.
- Knappen kan låsas i läge "ON" för att underlätta användning när maskinen används under längre tid. Var försiktig när du låser maskinen i läge "ON", och fortsätt håll ett stadigt grepp i maskinen.

Skjut skjutknappen till läget "I (ON)" för att starta maskinen. För kontinuerlig funktion trycker du ned den främre delen av skjutknappen så att den spärras.

Tryck ned den bakre delen av kontakten och skjut den till läget "O (OFF)" för att stänga av maskinen.

Indikatorlampa med flera funktioner

Fig.6

Det finns två indikatorpositioner.

- **Signal för batteribyte**
 - Den röda lampan tänds och maskinen stannar omedelbar när batterikapaciteten blir låg under användning. Byt ut batteriet mot ett fulladdat när den röda lampan börjar lysa.
- **Funktion för att förhindra oavsiktlig start**
 - Även om skjutknappen står i läget "I (ON)" startar inte maskinen när du sätter fast batterikassetten. Lampan blinkar istället långsamt för att visa att startspärrfunktionen är aktiv.
 - Starta maskinen genom att först föra reglaget till läge "O (OFF)" och sedan till läge "I (ON)".

MONTERING

⚠FÖRSIKTIGT!

- Se alltid till att maskinen är avstängd och batterikassetten borttagen innan du underhåller maskinen.

Demontering eller montering av stans och dyna

Fig.7

Byt alltid stans och dyna parvis. Vid demontering av stans och dyna lossas låsmuttern med nyckeln. Avlägsna dynans fäste från maskinen. Lossa bultarna som fäster dynan med en insexnyckel. Dra ut dynan ur dess fäste.

Lossa skruven som håller stansen med en insexnyckel. Dra ut stansen ur dess fäste.

Fig.8

Vid montering av stans och dyna ska du föra in stansen i stansfästet så att stansen skära riktas mot skruven. Dra åt skruven för att fästa stansen. Montera dynan i dess fäste. Dra åt skruvarna för att fästa dynan.

Fig.9

Montera sedan dynans fäste på maskinen, så att stansen förs genom hålet i dynans fäste. Dra åt låsmuttern för att säkra dynans fäste. När stans och dyna har bytts ut, smörjs de först med maskinolja, varefter maskinen körs en stund.

Fig.10

ANVÄNDNING

Smörjning

Bestryk nibblingslinjen med maskinolja för att förlänga stansens och dynans livslängd. Detta är speciellt viktigt vid nibbling av aluminium.

Nibblingsmetod

Fig.11

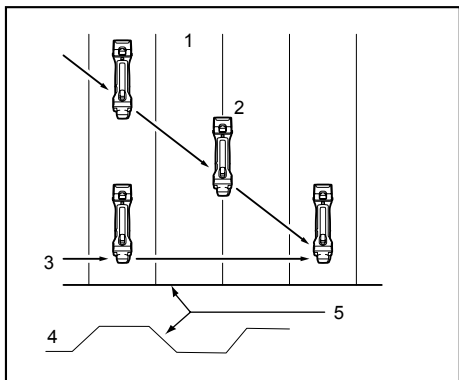
Håll maskinen så att skärhuvudet är i rät vinkel (90°) mot det arbetsstycke som ska nibblas. För maskinen försiktigt i nibblingsriktningen.

Invändiga snitt

Fig.12

Invändiga snitt kan göras genom att först göra ett runt hål som är mer än 21 mm i diameter, i vilket skärhuvudet kan föras in i.

Nibbling av korrugerad eller trapetsformad plåt



1. Sett ovanifrån
2. Skära i vinkel mot spår
3. Skära lodrätt mot spår
4. Sett från sidan
5. Korrugerad eller v-formad metallplåt.

013280

Placera alltid dynan så att den följer nibblingsriktningen, oberoende av om den ska nibblas i sned eller rät vinkel mot spåren i korrugerad eller trapetsformad plåt.

Fig.13

Håll alltid maskinen parallellt med spåren, med skärhuvudet i en rät vinkel (90°) mot arbetsytan såsom visas i figuren.

UNDERHÅLL

⚠FÖRSIKTIGT!

- Se alltid till att maskinen är avstängd och batterikassetten borttagen innan inspektion eller underhåll utförs.
- Använd inte bensin, thinner, alkohol eller liknande. Missfärgning, deformation eller sprickor kan uppstå.

Byte av kolborstar

Fig.14

Ta bort och kontrollera kolborstarna regelbundet. Byt dem när de är slitna ner till slitmarkeringen. Håll kolborstarna rena så att de lätt kan glida in i hållarna. Båda kolborstarna ska bytas ut samtidigt. Använd endast identiska kolborstar.

Stick in en spårskruvmejsel i urtaget på maskinen och bänd loss skyddslocket.

Fig.15

Använd en skruvmejsel för att ta bort locken till kolborstarna. Ta ur de utslitna kolborstarna, montera nya och montera locken.

Fig.16

Sätt tillbaka skyddslocket på maskinen.

För att upprätthålla produktens SÄKERHET och TILLFÖRLITLIGHET bör allt underhålls- och justeringsarbete utföras av ett auktoriserat Makita servicecenter och med reservdelar från Makita.

VALFRIA TILLBEHÖR

⚠FÖRSIKTIGT!

- Dessa tillbehör och tillsatser rekommenderas för användning tillsammans med den Makita-maskin som denna bruksanvisning avser. Om andra tillbehör eller tillsatser används kan det uppstå risk för personskador. Använd endast tillbehören eller tillsatserna för de syften de är avsedda för.

Kontakta ditt lokala Makita servicecenter om du behöver ytterligare information om dessa tillbehör.

- Dyna
- Stans
- Insexnyckel
- Skruvnyckel 32
- Makitas originalbatteri och -laddare.

OBS!

- Några av tillbehören i listan kan vara inkluderade i maskinpaketet som standardtillbehör. De kan variera mellan olika länder.

NORSK (originalinstruksjoner)

Oversiktsforklaring

1-1. Knapp	6-1. Indikatorlampe	10-2. Gjengebakke
1-2. Rød indikator	7-1. Gjengebakkeholder	10-3. Stanse
1-3. Batteri	7-2. Gjengebakke	10-4. Gjengebakkeholder
2-1. Stjernemerking	7-3. Skrue	13-1. Sett fra siden
3-1. Gjengebakkeholder	7-4. Sekskantnøkkel	13-2. Skjærehodet må være i rett vinkel (90°) til skjæreflaten.
3-2. Låsemutter	8-1. Stanse	14-1. Utskiftingsmerke
3-3. Løsne	8-2. Stanseholder	15-1. Deksel til børsteholderhette
3-4. Skrunøkkel	8-3. Skrue	15-2. Fordypning
4-1. Måler for skjæring av rustfritt stål: 1,2 mm (3/64")	8-4. Sekskantnøkkel	15-3. Skrutrekker
4-2. Måler for skjæring av ulegert stål: 1,6 mm (1/16")	8-5. Løsne	16-1. Børsteholderhette
4-3. Fordypning	8-6. Stramme	16-2. Skrutrekker
5-1. Skyvebryter	9-1. Stanse	
	9-2. Fordypning	
	10-1. Skruer	

TEKNISKE DATA

Modell		BJN160	BJN161
Maks. Skjærekapasitet	Stål opptil 400 N/mm ²	1,6 mm / 16 ga	1,6 mm / 16 ga
	Stål opptil 600 N/mm ²	1,2 mm / 18 ga	1,2 mm / 18 ga
	Aluminium opptil 200 N/mm ²	2,5 mm / 12 ga	2,5 mm / 12 ga
Min. skjæreradius	Utvendig kant	50 mm	50 mm
	Innvendig kant	45 mm	45 mm
Slag per minutt (min ⁻¹)		1 900	1 900
Total lengde		313 mm	313 mm
Nettovekt		2,1 kg	2,2 kg
Merkespenning		DC 14,4 V	DC 18 V

- Som følge av vårt kontinuerlige forsknings- og utviklingsprogram kan de tekniske dataene endres uten ytterligere forvarsel.
- Tekniske data og batteri kan variere fra land til land.
- Vekt, med batteri, i henhold til EPTA-prosedyre 01/2003

ENE037-1

ENG900-1

Beregnet bruk

Denne maskinen er laget for å skjære i platestål og rustfritt platestål.

ENG905-1

Støy

Typisk A-vektet lydtryknivå er bestemt i henhold til EN60745:

Modell BJN160

Lydtryknivå (L_{pA}): 72 dB (A)

Usikkerhet (K): 3 dB (A)

Støynivået under arbeid kan overskride 80 dB (A).

Modell BJN161

Lydtryknivå (L_{pA}): 73 dB (A)

Usikkerhet (K): 3 dB (A)

Støynivået under arbeid kan overskride 80 dB (A).

Bruk hørselvern

Vibrasjon

Den totale vibrasjonsverdien (triaksial vektorsum) bestemt i henhold til EN60745:

Modell BJN160

Arbeidsmåte: Kutting av metallplater

Genererte vibrasjoner (a_h): 7,0 m/s²

Usikkerhet (K): 1,5 m/s²

Modell BJN161

Arbeidsmåte: Kutting av metallplater

Genererte vibrasjoner (a_h): 6,5 m/s²

Usikkerhet (K): 1,5 m/s²

ENG901-1

- Den angitte verdien for de genererte vibrasjonene er blitt målt i samsvar med standardtestmetoden og kan brukes til å sammenlikne et verktøy med et annet.
- Den angitte verdien for de genererte vibrasjonene kan også brukes til en foreløpig vurdering av eksponeringen.

⚠ADVARSEL:

- De genererte vibrasjonene ved faktisk bruk av elektroverktøyet kan avvike fra den oppgitte vibrasjonsverdien, avhengig av hvordan verktøyet brukes.
- Vær påpasselig med å finne sikkerhetstiltak som beskytter operatøren, basert på en oppfatning av risiko under faktiske bruksforhold (på bakgrunn av alle sider ved brukssyklusen, som når verktøyet slås av og når det går på tomgang, i tillegg til oppstarten).

ENH101-16

Gjelder bare land i Europa

EF-samsvarserklæring

Som ansvarlig produsent erklærer Makita Corporation at følgende Makita-maskin(er):

Maskinbetegnelse:

Trådløs nibbler

Modellnr./type: BJN160, BJN161

er serieprodusert og

Samsvarer med følgende europeiske direktiver:

2006/42/EC

Op er produsert i samsvar med følgende standarder eller standardiserte dokumenter:

EN60745

Den tekniske dokumentasjonen oppbevares hos:

Makita International Europe Ltd.

Technical Department,

Michigan Drive, Tongwell,

Milton Keynes, Bucks MK15 8JD, England

26.4.2012



000230

Tomoyasu Kato

Direktør

Makita Corporation

3-11-8, Sumiyoshi-cho,

Anjo, Aichi, 446-8502, JAPAN

GEA010-1

Generelle advarsler angående sikkerhet for elektroverktøy

⚠ ADVARSEL Les alle sikkerhetsadvarslene og alle instruksjonene. Hvis du ikke følger alle advarslene og instruksjonene som er oppført nedenfor, kan det føre til elektriske støt, brann og/eller alvorlige helseskader.

Oppbevar alle advarsler og instruksjoner for senere bruk.

SIKKERHETSADVARSLER FOR NIBBLER

1. Hold maskinen godt fast.
2. Fest arbeidsstykket godt.
3. Hold hendene unna bevegelige deler.
4. Kanter og biter av arbeidsstykket er skarpe. Bruk hansker. Det anbefales også å bruke sko med tykke såler for å forebygge skader.
5. Ikke sett verktøyet på biter av arbeidsemnet. Ellers kan det føre til skader og problemer med verktøyet.
6. Ikke gå fra verktøyet mens det er i gang. Verktøyet må bare brukes mens operatøren holder det i hendene.
7. Forviss deg alltid om at du har godt fotfeste. Forviss deg om at ingen står under deg når du jobber høyt over bakken.
8. Ikke berør døren, retten eller arbeidsstykket umiddelbart etter saging. Disse vil da være ekstremt varme, og du kan få brannskader.
9. Pass på så du ikke skjærer i elektriske ledninger. Det kan føre til alvorlige ulykker som følge av elektrisk sjokk.

TA VARE PÅ DISSE INSTRUKSENE.

⚠ADVARSEL:

Selv om du har brukt produktet mye og føler deg fortrolig med det, er det likevel svært viktig at du følger nøye de retningslinjene for sikkerhet som er utarbeidet for dette produktet. MISBRUK av verktøyet eller mislighold av sikkerhetsreglene i denne brukerhåndboken kan resultere i alvorlige helseskader.

ENC007-8

VIKTIGE SIKKERHETSINSTRUKSJONER

FOR BATTERIET

1. Før du begynner å bruke batteriet, må du lese alle anvisninger og forsiktighetsregler på (1) batteriladeren, (2) batteriet og (3) det produktet batteriet skal brukes i.
2. Ikke ta fra hverandre batteriet.
3. Hvis driftstiden er blitt vesentlig kortere, må du omgående slutte å bruke maskinen. Hvis ikke kan resultatet bli overoppheting, mulige forbrenninger eller til og med en eksplosjon.
4. Hvis du får elektrolytt i øynene, må du skylle dem med store mengder rennende vann og oppsøke lege med én gang. Denne typen uhell kan føre til varig blindhet.

5. Ikke kortslutt batteriet.
 - (1) Ikke berør batteripolene med ledende materialer.
 - (2) Ikke lagre batteriet i samme beholder som andre metallgjenstander, som for eksempel spiker, mynter osv.
 - (3) Ikke la batteriet komme i kontakt med vann eller regn.

En kortslutning av batteriet kan føre til et kraftig strømstøt, overoppheting, mulige forbrenninger og til og med til at batteriet går i stykker.

6. Ikke lagre maskinen og batteriet på steder hvor temperaturen kan komme opp i eller overskride 50 ° C (122 ° F).
7. Ikke sett fyr på batteriet, ikke engang om det er sterkt skadet eller helt utslitt. Batteriet kan eksplodere hvis det begynner å brenne.
8. Vær forsiktig så du ikke mister batteriet eller utsetter det for slag.
9. Ikke bruk batterier som er skadet.
10. Følg lokale bestemmelser for avhendig av batterier.

TA VARE PÅ DISSE INSTRUKSENE.

Tips for å opprettholde maksimal batterilevetid

1. Lad batteriet igjen før det er fullstendig utladet.
Hold alltid opp å bruke maskinen når du merker at det er lite strøm på batteriet. Sett batteriet til lading.
2. Et helt oppladet batteri må aldri settes til ny lading.
Overopplading forkorter batteriets levetid.
3. Lad batteriet ved romtemperatur ved 10 ° C - 40 ° C (50 ° F - 104 ° F). Hvis batteriet er varmt, må det få avkjøle seg før lading.
4. Lad batteriet én gang hver sjette måned hvis det ikke blir brukt i en lengre periode.

FUNKSJONSBEKRIVELSE

⚠FORSIKTIG:

- Forviss deg alltid om at maskinen er slått av og batteriet tatt ut før du justerer maskinen eller kontrollerer dens mekaniske funksjoner.

Sette inn eller ta ut batteri

Fig.1

⚠FORSIKTIG:

- Slå alltid av verktøyet før du setter inn eller fjerner batteriet.
- **Hold godt rundt maskinen og batteriet når du setter inn eller tar ut batteriet.** Hvis du mister ned maskinen eller batteriet, kan dette forårsake personskader eller skader på maskinen/batteriet.

For å ta ut batteriet må du skyve på knappen foran på batteriet og trekke det ut.

Når du skal sette inn batteriet, må du plassere tungen på batteriet på linje med sporet i huset og skyve batteriet på plass. Skyv det helt inn til det går i inngrep med et lite klikk. Hvis du kan se den røde anviseren på oversiden av knappen, er det ikke gått skikkelig i lås.

⚠FORSIKTIG:

- Batteriet må alltid settes helt inn, så langt at den røde anviseren ikke lenger er synlig. Hvis du ikke gjør dette, kan batteriet falle ut av maskinen og skade deg eller andre som oppholder seg i nærheten.
- Ikke bruk makt når du setter i batteriet. Hvis batteriet ikke glir lett inn, er det fordi det ikke settes inn på riktig måte.

Batteribeskyttelsessystem

Verktøyer er utstyrt med et batterivernsystem. Dette systemet slår automatisk av strømmen til motoren for å forlenge batteriets levetid.

Verktøyet stopper automatisk ved drift hvis det og/eller batteriet utsettes for en av følgende tilstander:

- Overbelastning:
Verktøyet brukes på en måte som gjør at det trekker uvanlig mye strøm.
I denne situasjonen slår du verktøyet av og stanser bruken som førte til at verktøyet ble overbelastet. Slå deretter verktøyet på for å starte på nytt.
Hvis verktøyet ikke starter, er batteriet overopphet. I denne situasjonen lar du batteriet kjøle seg ned før du slår verktøyet på igjen.
- Lav batterispenning:
Gjenværende batterikapasitet er for lav, og verktøyet vil ikke fungere. I dette tilfellet, fjern og lad batteriet opp igjen.

MERK:

Overopphetingsvernet fungerer bare med et batteri med stjernemerke.

Fig.2

Endre gjengebakkestilling

Fig.3

Posisjonen til gjengebakkeholderen kan endres med 360°. For å endre den, gjør som følgende.

1. Løsne låsemutteren med skrunøkkelen.
2. Dra lett i gjengebakkeholderen og dreii den til ønsket driftsposisjon.
3. Stram låsemutteren for å sikre gjengebakkeholderen i ønsket posisjon.

Det er fire klikkstopper, hver på 90°: 0°, 90° venstre og høyre og 180°. For å plassere gjengebakken på en av disse klikkstopperne:

4. Løsne låsemutteren med skrunøkkelen.
5. Dra lett i gjengebakkeholderen og trykk lett på den mens du dreier den til ønsket posisjon. Holderen vil gå i lås i en av klikkstopposisjonene.
6. Drei gjengebakkeholderen lett for å forsikre deg om at den er klikklåst på plass.
7. Stram låsemutteren for å sikre gjengebakkeholderen.

Tillatt skjæretykkelse

Fig.4

Tykkelsen på materialet som skal skjæres avhenger av strekkevnen i selve materialet. Sporet på gjengebakkeholderen fungerer som tykkelsesmåler for tillatt skjæretykkelse. Ikke prøv å skjære materialer som ikke passer inn i dette sporet.

Skjærelinje

Fordypningen i holderen viser skjærelinjen. Bredden er lik skjærebredden. Rett inn fordypningen mot skjærelinjen på arbeidsemnet når du skjærer.

Bryterfunksjon

Fig.5

⚠FORSIKTIG:

- Før du setter batteriet inn i maskinen, må du kontrollere at skyvebryteren starter maskinen på riktig måte og går tilbake til "OFF"-stilling når den slippes.
- Bryteren kan sperres i "ON"-stilling for å gjøre det lettere for operatøren ved langvarig bruk. Vær forsiktig når du sperrer verktøyet i "ON"-stilling, og hold det godt fast.

Start verktøyet ved å skyve skyvebryteren mot "I"-stillingen (PA). For kontinuerlig drift må du trykke på fremre del av skyvebryteren for å låse denne.

Stopp verktøyet ved å trykke på bakre del av skyvebryteren, og skyv den deretter mot "O (AV)"-stillingen.

Indikatorlampe med flere funksjoner

Fig.6

Indikatorlamper er plassert på to steder.

- **Varsellampe for bytte av batteriinnsetning**
 - Når batteriet nesten er utladet under drift, vil den røde lampen lyse og verktøyet vil stoppe automatisk. Erstatt batteriet med et fullt oppladet batteri når den røde lampen lyser.
- **Forebygging av utilsiktet start**
 - Selv om batteriinnsetningen settes inn i verktøyet mens glidebryteren står i "I (ON)"-stilling, starter ikke verktøyet. Nå vil lampen blinke sakte for å vise at funksjonen som forebygger utilsiktet start er aktiv.
 - For å starte verktøyet, skyv du først glidebryteren til "O (OFF)"-stilling og deretter til "I (ON)"-stilling.

MONTERING

⚠FORSIKTIG:

- Forviss deg alltid om at maskinen er slått av og batteriet tatt ut før du utfører noe arbeid på maskinen.

Demontere eller montere stansen og gjengebakken

Fig.7

Stansen og gjengebakken må alltid byttes sammen som et sett. For å demontere stansen og gjengebakken, må du løsne låsemutteren med skrunøkkelen. Demontér gjengebakkeholderen fra verktøyet. Bruk sekskantnøkkelen til å løsne skruene som sikrer gjengebakken. Demontér gjengebakken fra holderen. Bruk sekskantnøkkelen til å løsne skruen som sikrer stansen. Dra stansen ut av stanseholderen.

Fig.8

For å montere stansen og gjengebakken, må du sette stansen inn i holderen slik at fordypningen i stansen vender mot skruen. Stram skruen for å sikre stansen. Monter gjengebakken på holderen. Stram skruene for å sikre gjengebakken.

Fig.9

Monter deretter gjengebakkeholderen på verktøyet slik at stansen settes inn gjennom hullet i gjengebakkeholderen. Stram låsemutteren for å sikre gjengebakkeholderen. Når du har byttet stansen og gjengebakken, må du smøre dem med maskinolje og kjøre verktøyet en stund.

Fig.10

BRUK

Forhåndssmøring

Fukt skjærelinjen med maskinolje for å øke levetiden for stansen og gjengebakken. Dette er spesielt viktig når du skjærer aluminium.

Skjæremetode

Fig.11

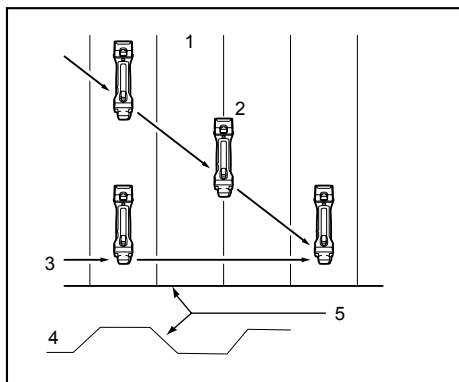
Hold verktøyet slik at skjærehodet er i rett vinkel (90°) til arbeidsemnet som skal skjæres. Beveg verktøyet forsiktig i skjæreretningen.

Utsnitt

Fig.12

Utsnitt kan lages ved å først åpne et rundt hull over 21 mm i diameter som skjærehodet kan settes inn i.

Skjære riflede eller trapesformede metallplater



1. Sett ovenfra
2. Skjære i vinkel til sporene
3. Skjære vinkelrett på sporene
4. Sett fra siden
5. Riflede eller trapesformede metallplater

013280

Still inn gjengebakkeposisjonen slik at gjengebakken vender mot skjæreretningen enten når du kutter i vinkel eller rett på sporene i riflede eller trapesformede metallplater.

Fig.13

Hold verktøykroppen parallelt med sporene med skjærehodet i rett vinkel (90°) til skjæreoverflaten som vist i figuren.

VEDLIKEHOLD

⚠FORSIKTIG:

- Forviss deg alltid om at maskinen er slått av og batteriet tatt ut før du foretar inspeksjon eller vedlikehold.
- Aldri bruk gasolin, bensin, tynner alkohol eller lignende. Det kan føre til misfarging, deformering eller sprekkdannelse.

Skifte kullbørster

Fig.14

Fjern og kontroller kullbørstene med jevne mellomrom. Skift dem når de er slitt ned til utskiftingsmerket. Hold kullbørstene rene og fri til å bevege seg i holderne. Begge kullbørstene må skiftes samtidig. Bruk bare identiske kullbørster.

Stikk den flate enden av en skrutrekker inn i hakket på verktøyet og løft ut dekslet på børsteholderhetten.

Fig.15

Bruk en skrutrekker til å fjerne børsteholderhettene. Ta ut de slitte kullbørstene, sett i nye, og fest børsteholderhettene.

Fig.16

Sett dekslet på plass igjen på verktøyet.

For å opprettholde produktets SIKKERHET og PÅLITELIGHET, må reparasjoner, vedlikehold og justeringer utføres av Makitas autoriserte servicesentre, og det må alltid brukes reservedeler fra Makita.

VALGFRITT TILBEHØR

⚠FORSIKTIG:

- Det anbefales at du bruker dette tilbehøret eller verktøyet sammen med den Makita-maskinen som er spesifisert i denne håndboken. Bruk av annet tilbehør eller verktøy kan forårsake helseskader. Tilbehør og verktøy må kun brukes til det formålet det er beregnet på.

Ta kontakt med ditt lokale Makita-servicesenter hvis du trenger mer informasjon om dette tilbehøret.

- Gjengebakke
- Stanse
- Sekskantnøkkel
- Skrunøkkel 32
- Makita originalbatteri og lader

MERK:

- Enkelte elementer i listen kan være inkludert som standardtilbehør i verktøypakken. Elementene kan variere fra land til land.

SUOMI (alkuperäiset ohjeet)

Yleiselostus

1-1. Painike	6-1. Vilkkuvalo	10-2. Leikkuri
1-2. Punainen ilmaisin	7-1. Leikkurin pidin	10-3. Meisti
1-3. Akku	7-2. Leikkuri	10-4. Leikkurin pidin
2-1. Tähtimerkintä	7-3. Pultit	13-1. Sivulta katsoen
3-1. Leikkurin pidin	7-4. Kuusioavain	13-2. Leikkauskärjen tulisi olla oikeassa kulmassa (90°) leikkauspintaan nähden.
3-2. Lukkomutteri	8-1. Meisti	14-1. Rajamerkki
3-3. Löysää	8-2. Meistinpidin	15-1. Pidikkeen kuvun suojuus
3-4. Kiintoavain	8-3. Ruuvi	15-2. Lovi
4-1. Tulkki ruostumattoman teräksen leikkaukseen: 1,2 mm (3/64")	8-4. Kuusioavain	15-3. Ruuvitaltta
4-2. Tulkki niukkahiilisen teräksen leikkaukseen: 1,6 mm (1/16")	8-5. Löysää	16-1. Harjanpitimen kansi
4-3. Lovi	8-6. Kiristä	16-2. Ruuvitaltta
5-1. Liukukytin	9-1. Meisti	
	9-2. Lovi	
	10-1. Pultit	

TEKNISET TIEDOT

Malli	BJN160	BJN161	
Maks. Leikkauskaasiteetit	Teräs 400 N/mm asti ²	1,6 mm / 16 ga	1,6 mm / 16 ga
	Teräs 600 N/mm asti ²	1,2 mm / 18 ga	1,2 mm / 18 ga
	Alumiini 200 N/mm asti ²	2,5 mm / 12 ga	2,5 mm / 12 ga
Min. leikkaussäde	Ulkoreuna	50 mm	50 mm
	Sisäreuna	45 mm	45 mm
Iskua minuutissa (min ⁻¹)	1 900	1 900	
Kokonaispituus	313 mm	313 mm	
Nettopaino	2,1 kg	2,2 kg	
Nimellisjännite	DC 14,4 V	DC 18 V	

• Jatkuvan tutkimus- ja kehitysohjelman vuoksi pidätämme oikeuden muuttaa tässä mainittuja teknisiä ominaisuuksia ilman ennakkoilmoitusta.

• Tekniset ominaisuudet ja akku saattavat vaihdella maakohtaisesti.

• Paino akku mukaan lukien EPTA-Procedure 01/2003 mukaan

ENE037-1

ENG900-1

Käyttötarkoitus

Työkalu on tarkoitettu teräslevyjen ja ruostumattomien teräslevyjen leikkaukseen.

ENG905-1

Melutaso

Tyypillinen A-painotettu melutaso määräytyy EN60745-standardin mukaan:

Malli BJN160

Äänenpainetaso (L_{pA}): 72 dB (A)

Epätarkkuus (K): 3 dB (A)

Työskentelyn aikana melutaso voi ylittää 80 dB (A).

Malli BJN161

Äänenpainetaso (L_{pA}): 73 dB (A)

Epätarkkuus (K): 3 dB (A)

Työskentelyn aikana melutaso voi ylittää 80 dB (A).

Käytä kuulosuojaimia

Tärinä

Värähtelyn kokonaisarvo (kolmiakselivektorin summa) on määritetty EN60745mukaan:

Malli BJN160

Työtila : metallilevyn leikkauks
Värähtelynpäästö (a_{h1}) : 7,0 m/s²
Epävakaas (K) : 1,5 m/s²

Malli BJN161

Työtila : metallilevyn leikkauks
Värähtelynpäästö (a_{h1}) : 6,5 m/s²
Epävakaas (K) : 1,5 m/s²

ENG901-1

- Ilmoitettu tärinäpäästöarvo on mitattu standarditestaustestimen mukaisesti, ja sen avulla voidaan vertailla työkaluja keskenään.
- Ilmoitettua tärinäpäästöarvoa voidaan käyttää myös altistumisen alustavaan arviointiin.

⚠VAROITUS:

- Työkalun käytön aikana mitattu todellinen tärinäpäästöarvo voi poiketa ilmoitetusta tärinäpäästöarvosta työkalun käyttötavan mukaan.
- Selvitätä käyttäjän suojaamiseksi tarvittavat varoimet todellisissa käyttöolosuhteissa tapahtuvan arvioidun altistumisen mukaisesti (ottaen huomioon käyttöjakso kokonaisuudessaan, myös jaksot, joiden aikana työkalu on sammutettuna tai käy tyhjäkäynnillä).

ENH101-16

Koskee vain Euroopan maita**VAKUUTUS EC-VASTAAVUUDESTA**

Vastuullinen valmistaja Makita Corporation ilmoittaa vastaavansa siitä, että seuraava(t) Makitan valmistama(t) kone(et):

Koneen tunnistetiedot:

Akkukäyttöinen nakertaja

Mallinro/Tyyppi: BJN160, BJN161

ovat sarjavalmistettuja ja

Täyttävät seuraavien eurooppalaisten direktiivien vaatimukset:

2006/42/EC

Ja että ne on valmistettu seuraavien standardien tai standardoitujen asiakirjojen mukaisesti:

EN60745

Teknisen dokumentaation ylläpidosta vastaa:

Makita International Europe Ltd.

Technical Department,

Michigan Drive, Tongwell,

Milton Keynes, Bucks MK15 8JD, England

26.4.2012



Tomoyasu Kato

Johtaja

Makita Corporation

3-11-8, Sumiyoshi-cho,

Anjo, Aichi, 446-8502, JAPAN

000230

GEA010-1

Sähkötyökalujen käyttöä koskevat varoitukset

⚠VAROITUS Lue kaikki turvallisuusvaroitukset ja käyttöohjeet. Varoitusten ja ohjeiden noudattamatta jättäminen voi johtaa sähköiskuun, tulipaloon ja/tai vakavaan vammautumiseen.

Säilytä varoitukset ja ohjeet tulevaa käyttöä varten.

NAKERTAJAN TURVALLISUUSOHJEET

1. Pidä työkalua tiukasti.
2. Kiinnitä työkalupale tukevasti.
3. Pidä kädet poissa liikkuvien osien luota.
4. Työkappaleen reunat ja lastut ovat teräviä. Pidä suojakäsineitä. On myös suositeltua käyttää paksupohjaisia jalkineita, jotka voivat estää vahingoittumisia.
5. Älä aseta työkalua työkappaleen lastuihin. Se voi aiheuttaa työkalun vahingoittumisen tai ongelmia.
6. Älä jätä konetta käymään itsekseen. Käytä laitetta vain silloin, kun pidät sitä kädessä.
7. Varmista aina, että seisot tukevasti. Jos työskentelet korkealla, varmista, ettei ketään ole alapuolella.
8. Älä kosketa lävistintä, talttaa tai työkappaletta välittömästi käytön jälkeen, sillä ne voivat olla erittäin kuumia ja saattavat polttaa ihoa.
9. Vältä leikkaamasta sähköjohtoja. Niiden leikkaaminen voi aiheuttaa sähköiskun ja vakavan onnettomuuden.

SÄILYTÄ NÄMÄ OHJEET.

⚠VAROITUS:

ÄLÄ anna työkalun helppokäyttöisyyden tai toistuvan käytön tuudittaa sinua väärään turvallisuuden tunteeseen niin, että laiminlyöt työkalun turvaohjeiden noudattamisen. **VÄÄRINKÄYTTÖ** tai tämän käyttöohjeen turvamääräysten laiminlyönti voi johtaa vakaviin henkilövahinkoihin.

ENC007-8

AKKUA KOSKEVIA

TÄRKEITÄ TURVAOHJEITA

1. Ennen akun käyttöönottoa tutustu kaikkiin laturissa (1), akussa (2) ja akkukäyttöisessä tuotteessa (3) oleviin varoitusteksteihin.
2. Älä pura akkua.
3. Jos akun toiminta-aika lyhenee merkittävästi, lopeta akun käyttö. Seurauksena voi olla ylikuumeneminen, palovammoja tai jopa räjähdys.
4. Jos akkunestettä pääsee silmiin, huuhtelee puhtaalla vedellä ja hakeudu välittömästi lääkärin hoitoon. Akkuneste voi aiheuttaa sokautumisen.

5. Älä oikosulje akkua.
 - (1) Älä koske akun napoihin millään sähköä johtavalla materiaalilla.
 - (2) Vältä akun oikosulkemista äläkä säilytä akkua yhdessä muiden metalliesineiden, kuten nauhojen, kolikoiden ja niin edelleen kanssa.
 - (3) Älä altista akkua vedelle tai sateelle.
 Akun oikosulku voi aiheuttaa voimakkaan sähkövirran, palovammoja ja jopa laitteen rikkoutumisen.
6. Älä säilytä työkalua ja akkua paikassa, jossa lämpötila voi nousta 50 ° C:een tai sitäkin korkeammaksi.
7. Älä hävitä akkua polttamalla, vaikka se olisi pahoin vaurioitunut tai täysin loppuun kulunut. Avotuli voi saada akun räjähtämään.
8. Varo kolhimasta tai pudottamasta akkua.
9. Älä käytä viallista akkua.
10. Hävitä akku paikallisten määräysten mukaisesti.

SÄILYTÄ NÄMÄ OHJEET.

Vihjeitä akun käyttöön pidentämiseksi

1. Lataa akku ennen kuin se ehtii purkautua kokonaan.
Lopeta työkalun käyttö ja lataa akku aina, kun huomaat tehon heikkenevän.
2. Älä koskaan lataa täyttä akkua.
Yliilataus lyhentää akun käyttöikää.
3. Lataa akku huoneenlämmössä 10 ° C-40 ° C.
Anna kuumen akun jäähtyä ennen latausta.
4. Lataa akku kuuden kuukauden välein, jos sitä ei käytetä pitkään aikaan.

TOIMINTOJEN KUVAUS

⚠HUOMIO:

- Varmista aina ennen säätöjä ja tarkastuksia, että työkalu on sammutettu ja akku irrotettu.

Akun asentaminen tai irrottaminen

Kuva1

⚠HUOMIO:

- Sammuta työkalu aina ennen akun kiinnittämistä tai irrottamista.
- **Pidä työkalusta ja akusta tiukasti kiinni, kun irrotat tai kiinnität akkua.** Jos akku tai työkalu putoaa, ne voivat vaurioitua tai aiheuttaa loukkaantumisen.

Irrota akku painamalla akun etupuolella olevaa painiketta ja vetämällä akku ulos työkalusta.

Kiinnitä akku sovittamalla akun kieleke rungon uraan ja työntämällä akku sitten paikoilleen. Työnnä akku pohjaan asti niin, että kuulet sen napsahtavan paikoilleen. Jos painikkeen yläpuolella näkyy punainen ilmaisin, akku ei ole lukkiutunut täysin paikoilleen.

⚠HUOMIO:

- Työnnä akku aina pohjaan asti, niin että punainen ilmaisin ei enää näy. Jos akku ei ole kunnolla paikallaan, se voi pudota työkalusta ja aiheuttaa vammoja joko käyttäjälle tai sivullisille.
- Älä käytä voimaa akun asennuksessa. Jos akku ei mene paikalleen helposti, se on väärässä asennossa.

Akun suojausjärjestelmä

Työkalu on varustettu akun suojausjärjestelmällä. Tämä järjestelmä pidentää akun käyttöikää katkaisemalla automaattisesti moottorin virran.

Työkalu voi pysähtyä automaattisesti kesken käytön, jos työkalussa tai akussa ilmenee jokin seuraavista tilanteista:

- Ylikuormitus:
Työkalua käytetään tavalla, joka saa sen kuluttamaan epätavallisen paljon virtaa.
Sammuta tällöin työkalu ja lopeta ylikuormitustilan aiheuttanut käyttö.
Käynnistä sitten työkalu ja jatka käyttöä.
Jos työkalu ei käynnisty, akku on ylikuumentunut. Anna tällöin akun jäähtyä, ennen kuin käynnistät työkalun uudelleen.
- Alhainen akun jännite:
Akun varaus ei riitä työkalun käyttämiseen.
Irrota silloin akku ja lataa se.

HUOMAUTUS:

Ylikuumenemissuoja toimii vain, jos akku on merkitty tähtimerkillä.

Kuva2

Leikkausasennon muuttaminen

Kuva3

Leikkausholkin asentoa voi muuttaa 360°. Jos haluat muuttaa sitä, toimi seuraavasti.

1. Löysennä lukitusmutteri mukana annetulla kiintoavaimella.
2. Vedä leikkausholkkia hieman ja kierrä sitä haluttuun toiminta-asentoon.
3. Kiristä lukitusmutteriä leikkausholkin varmistamiseksi haluttuun asentoon.

On olemassa neljä sallittua asemaa, jokainen 90°. 0°, 90° vasen ja oikea ja 180°. Leikkurin asentamiseksi yhteen näistä asemista:

4. Löysennä lukitusmutteri mukana annetulla kiintoavaimella.
5. Vedä leikkausholkkia hieman ja paina alas kevyesti samalla kiertäen sitä haluttuun asentoon. Leikkausholkki lukkiutuu yhteen valituista sallituista asemista.
6. Kierrä leikkausholkkia hieman varmistaaksesi, että se on sallittujen arvojen mukaan lukkiutunut asemaansa.
7. Kiristä lukitusmutteri leikkausholkin varmistamiseksi.

Sallittu leikkauspaksuus

Kuva4

Leikkattavan aineen paksuus riippuu myös aineen murtolujuudesta. Leikkausholkin ura toimii sallittavan leikkauspaksuuden paksuusmittarina. Älä yritä leikata mitään sellaisia aineita, jotka eivät mahdu tähän uraan.

Sahauslinja

Leikkausholkin lovi viittaa leikkauslinjaasi. Sen leveys on sama leikkausleveyden kanssa. Pistä leikkauslinja ja lovi rinnakkain työkappaletta leikatessa.

Kytkimen käyttäminen

Kuva5

⚠HUOMIO:

- Tarkista aina ennen akun kiinnittämistä työkaluun, että liukukytkin kytkeytyy oikein ja palaa OFF-asentoon, kun liukukytkimen takaosaa painetaan.
- Kytkimen voi lukita "ON" asentoon, jotta pitkäaikainen käyttö helpottuisi käyttäjälle. Ole varovainen, kun lukitset työkalun "ON" asentoon ja pidä työkalusta luja ote.

Käynnistä työkalu liu'uttamalla liukukytkin I-asentoon (ON). Jos haluat koneen käyvän jatkuvasti, lukitse liukukytkin painamalla sen etuosaa.

Pysäytä työkalu painamalla liukukytkimen takaosaa ja liu'uttamalla se O-asentoon (OFF).

Monitoiminen merkkivalo

Kuva6

Merkkivaloja on kahdessa paikassa.

- Akun vaihtosignaali

- Kun akku on käytetty lähes loppuun, punainen merkkivalo syttyy ja työkalu pysähtyy välittömästi. Kun punainen merkkivalo syttyy, vaihda tilalle täyteen ladattu akku.

- Vahinkokäynnistyksen estotoiminto

- Vaikka akku kiinnitettäisiin paikalleen liukukytkimen ollessa "I (ON)" -asennossa, työkalu ei käynnisty. Merkkivalo vilkkuu tällöin hitaassa tahdissa osoituksena vahinkokäynnistyksen estotoiminnosta.
- Käynnistä työkalu tällaisessa tapauksessa siirtämällä liukukytkin ensin "O (OFF)" -asentoon ja sitten "I (ON)" -asentoon.

KOKOONPANO

⚠HUOMIO:

- Varmista aina ennen mitään työkalulle tehtäviä toimenpiteitä, että se on sammutettu ja akku irrotettu.

Meistin ja leikkurin irrotus ja asennus

Kuva7

Vaihda aina meisti ja leikkuri yhdessä. Meistin ja leikkurin irrottamiseksi, löysennä lukitusmutteri kiintoavaimella. Irrota leikkausholkki työkalusta. Käytä kuusioavainta leikkuria varmistavien pulttien löysentämiseksi. Irrota leikkuri leikkausholkista.

Käytä kuusioavainta meistä varmistavien ruuvien löysentämiseksi. Vedä meisti ulos meistiholkimesta.

Kuva8

Meistin ja leikkurin asentamiseksi kiinnitä meisti holkimeen siten, että meistin pinnassa oleva lovi kohdistuu ruuviin päin. Kiristä ruuvi meistin varmistamiseksi. Kiinnitä leikkuri leikkausholkiin. Kiristä pultit leikkurin varmistamiseksi.

Kuva9

Asenna sitten leikkurinholki työkaluun siten, että meisti on asennettu leikkuriholkissa olevan aukon läpi. Kiristä lukitusmutteri leikkausholkin varmistamiseksi. Meistin ja leikkurin vaihdon jälkeen, voitele ne koneöljyllä ja anna työkalun käydä vähän aikaa.

Kuva10

TÖSKENTELY

Voitelu etukäteän

Päällystä leikkauslinja koneöljyllä pidentääksesi meistin ja leikkurin palveluikää. Tämä on erityisen tärkeää alumiinia leikatessa.

Leikkausmenetelmä

Kuva11

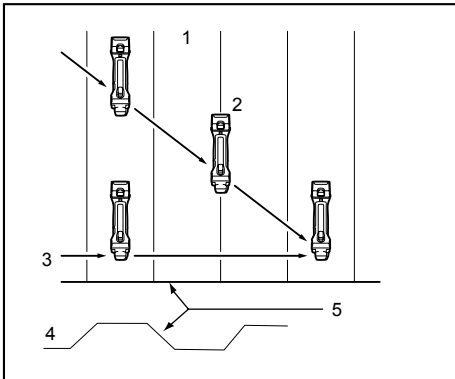
Pidä työkalua siten, että leikkauskärki on oikeassa kulmassa (90°) leikattavaan työkappaleeseen nähden. Siirrä työkalua hellävaroen leikkaussuuntaan.

Poisleikkaukset

Kuva12

Poisleikkaukset voidaan tehdä ensin avaamalla halkaisijaltaan yli 21 mm:n reikä, johon leikkauskärki voidaan asentaa.

Poimutettujen tai puolisuunnikkaiden metallilaattojen leikkaus



1. Ylhäältä katsoen
2. Leikata uriin kulmasta
3. Leikata uriin kohtisuoraan
4. Sivulta katsoen
5. Poimutettu tai puolisuunnikas metallilevy

013280

Aseta leikkurin asento siten, että se kohdistuu leikkaussuuntaan joko kulmaa leikatessa tai kohtisuoria uria leikatessa poimutettuun tai puolisuunnikkaaseen metallilaattaan.

Kuva13

Pidä työkalun runko aina urien kanssa rinnakkain siten, että leikkauskärki on oikeassa kulmassa (90°) leikkauspintaan nähden, kuvan osoittamalla tavalla.

KUNNOSSAPITO

△HUOMIO:

- Varmista aina ennen tarkastusta tai huoltoa, että työkalu on sammutettu ja akku irrotettu.
- Älä koskaan käytä bensiniä, ohentimia, alkoholia tai tms. aineita. Muutoin pinta voi halkeilla tai sen värit ja muoto voivat muuttua.

Hiiliharjojen vaihtaminen

Kuva14

Irrota ja tarkista hiiliharjat säännöllisesti. Vaihda uusiin, kun ne ovat kuluneet rajamerkkiin saakka. Pidä hiiliharjat puhtaina ja vapaina liukumaan pitimissään. Molemmat hiiliharjat on vaihdettava samalla kertaa. Käytä vain keskenään samanlaisia hiiliharjoja. Aseta ruuvitaltan kärki koneessa olevaan koloon ja nosta pidikkeen kuvun suojuksia auki.

Kuva15

Irrota hiiliharjat kannet ruuvitaltalla. Poista kuluneet hiiliharjat, aseta uudet harjahielet paikalleen ja kiinnitä hiiliharjojen kansi paikalleen.

Kuva16

Aseta pidikkeen kuvun suojuksia takaisin paikalleen. Koneen TURVALLISUUDEN ja LUOTETTAVUUDEN säilyttämiseksi korjaukset sekä muu huoltotoimet ja säädöt on jätettävä Makitan valtuuttaman huollon tehtäväksi käyttäen aina Makitan alkuperäisiä varaosia.

LISÄVARUSTEET

△HUOMIO:

- Näitä lisävarusteita ja -laitteita suositellaan käytettäväksi tässä ohjekirjassa mainitun Makitan koneen kanssa. Minkä tahansa muun lisävarusteen tai -laitteen käyttäminen voi aiheuttaa loukkaantumisaarua. Käytä lisävarusteita ja -laitteita vain niiden käyttötarkoituksen mukaisesti.

Jos tarvitset apua tai yksityiskohtaisempia tietoja seuraavista lisävarusteista, ota yhteys paikalliseen Makitan huoltoon.

- Leikkuri
- Meisti
- Kuusioavain
- Kiintoavain 32
- Aito Makitan akku ja laturi

HUOMAUTUS:

- Jotkin luettelossa mainitut varusteet voivat sisältyä työkalun toimitukseen vakiovarusteina. Ne voivat vaihdella maittain.

LATVIEŠU (oriģinālās instrukcijas)

Kopskata skaidrojums

1-1. Poga	6-1. Indikatora lampiņa	10-2. Spiedne
1-2. Sarkans indikators	7-1. Spiednes tureklis	10-3. Caursitnis
1-3. Akumulatora kasetne	7-2. Spiedne	10-4. Spiednes tureklis
2-1. Zvaigznes emblēma	7-3. Bultskrūves	13-1. Skatoties no malas
3-1. Spiednes tureklis	7-4. Sešstūra atslēga	13-2. Griešanas galviņai jābūt pareizajā leņķī (90°) pret griezamo virsmu.
3-2. Kontruzgrieznis	8-1. Caursitnis	14-1. Robežas atzīme
3-3. Atskrūvēt	8-2. Caursiņa tureklis	15-1. Turekļa vāka aizsargs
3-4. Uzgriežņu atslēga	8-3. Skrūve	15-2. Ierobs
4-1. Mērs nerūsējoša tērauda griešanai: 1,2 mm (3/64")	8-4. Sešstūra atslēga	15-3. Skrūvgriezis
4-2. Mērs mīksta tērauda griešanai: 1,6 mm (1/16")	8-5. Atskrūvēt	16-1. Sukas turekļa vāks
4-3. Ierobs	8-6. Savilkt	16-2. Skrūvgriezis
5-1. Slīdslēdzis	9-1. Caursitnis	
	9-2. Ierobs	
	10-1. Bultskrūves	

SPECIFIKĀCIJAS

Modelis		BJN160	BJN161
Maks. griešanas jauda	Tērauds līdz 400 N/mm ²	1,6 mm / 16 ga	1,6 mm / 16 ga
	Tērauds līdz 600 N/mm ²	1,2 mm / 18 ga	1,2 mm / 18 ga
	Alumīnijs līdz 200 N/mm ²	2,5 mm / 12 ga	2,5 mm / 12 ga
Min. griešanas rādiuss	Ārējā mala	50 mm	50 mm
	Iekšējā mala	45 mm	45 mm
Gājieni minūtē (min ⁻¹)		1 900	1 900
Kopējais garums		313 mm	313 mm
Neto svars		2,1 kg	2,2 kg
Nominālais spriegums		Līdzstrāva 14,4 V	Līdzstrāva 18 V

- Dēļ mūsu nepārtrauktās pētniecības un izstrādes programmas, šeit dotās specifikācijas var mainīties bez brīdinājuma.
- Specifikācijas un akumulatora kasetne dažādās valstīs var atšķirties.
- Svārs ar akumulatora kasetni atbilstošs EPTA procedūrai 01/2003

ENE037-1

ENG900-1

Paredzētā lietošana

Šis darbarīks ir paredzēts lokšņu tērauda un nerūsējošā lokšņu tērauda griešanai.

ENG905-1

Troksnis

Tipiskais A-svērtais trokšņa līmenis ir noteikts saskaņā ar EN60745:

Modelis BJN160

Skaņas spiediena līmenis (L_{PA}): 72 dB (A)

Neņoteiktība (K): 3 dB (A)

Skaņas līmenis strādājot var pārsniegt 80 dB (A).

Modelis BJN161

Skaņas spiediena līmenis (L_{PA}): 73 dB (A)

Neņoteiktība (K): 3 dB (A)

Skaņas līmenis strādājot var pārsniegt 80 dB (A).

Lietojiet ausu aizsargus

Vibrācija

Vibrācijas kopējā vērtība (trīs asu vektora summa) noteikta saskaņā ar EN60745:

Modelis BJN160

Darba režīms: metāla lokšnes griešana

Vibrācijas emisija (a_h): 7,0 m/s²

Neņoteiktību (K): 1,5 m/s²

Modelis BJN161

Darba režīms: metāla lokšnes griešana

Vibrācijas emisija (a_h): 6,5 m/s²

Neņoteiktību (K): 1,5 m/s²

ENG901-1

- Paziņotā vibrācijas emisijas vērtība noteikta atbilstoši standarta pārbaudes metodei un to var izmantot, lai salīdzinātu vienu darbarīku ar citu.
- Paziņoto vibrācijas emisijas vērtību arī var izmantot iedarbības sākotnējā novērtējumā.

△BRĪDINĀJUMS:

- Reāli lietojot mehānizēto darbarīku, vibrācijas emisija var atšķirties no paziņotās emisijas vērtības atkarībā no darbarīka izmantošanas veida.
- Lai aizsargātu lietotāju, nosakiet drošības pasākumus, kas pamatoti ar iedarbību reālos darba apstākļos (ņemot vērā visus ekspluatācijas cikla posmus, piemēram, laiku, kamēr darbarīks ir izslēgts un kad darbojas tukšgaitā, kā arī palaišanas laiku).

ENH101-16

Tikai Eiropas valstīm

EK Atbilstības deklarācija

Mēs, uzņēmums „Makita Corporation”, kā atbildīgs ražotājs paziņojam, ka sekojošais/-ie „Makita” darbarīks/-i:

Darbarīka nosaukums:

Bezvada izcīršanas šķēres

Modeļa nr./ Veids: BJN160, BJN161

ir sērijas ražojums un

Atbilst sekojošām Eiropas Direktīvām:

2006/42/EC

Un tas ražots saskaņā ar sekojošiem standartiem vai standartdokumentiem:

EN60745

Tehnisko dokumentāciju uztur:

Makita International Europe Ltd.

Technical Department,

Michigan Drive, Tongwell,

Milton Keynes, Bucks MK15 8JD, Anglija

26.4.2012



000230

Tomoyasu Kato

Direktors

Makita Corporation

3-11-8, Sumiyoshi-cho,

Anjo, Aichi, 446-8502, JAPAN

GEA010-1

Vispārējie mehānizēto darbarīku drošības brīdinājumi

△ BRĪDINĀJUMS Izlasiet visus drošības brīdinājumus un visus norādījumus. Brīdinājumu un norādījumu neievērošanas gadījumā var rasties elektriskās strāvas trieciens, ugunsgrēks un/vai nopietnas traumas.

Glabājiet visus brīdinājumus un norādījumus, lai varētu tajos ieskatīties turpmāk.

**DROŠĪBAS BRĪDINĀJUMI
IZCĪRŠANAS ŠĶĒRU
LIETOŠANAI**

1. Turiet darbarīku stingri.
2. Cieši nostipriniet apstrādājamo materiālu.
3. Netuviniet rokas kustīgajām daļām.
4. Apstrādājamā materiāla malas un šķembas ir asas. Valkājiet cimdus. Lai izvairītos no ievainojuma, ieteicams uzvilkt arī apavus ar biezu zoli.
5. Nenovietojiet darbarīku uz apstrādājamā materiāla šķembām. Savādāk var izraisīt darbarīka bojājumus un darbības traucējumus.
6. Neatstājiet ieslēgtu darbarīku. Darbiniet darbarīku vienīgi tad, ja turat to rokās.
7. Nodrošiniet, lai jums vienmēr būtu labs atbalsts kājām.
Ja lietojat darbarīku augstumā, pārliecinieties, ka apakšā neviena nav.
8. Nepieskarieties izveidotajam caurumam, veidnei vai apstrādājamam materiālam tūlīt pēc darba veikšanas; tie var būt ļoti karsti un var apdedzināt ādu.
9. Negrieziet elektrības vadus. Tā var izraisīt smagu elektriskās strāvas triecienu.

**SAGLABĀJIET ŠOS
NORĀDĪJUMUS.****△BRĪDINĀJUMS:**

NEZAUDĒJIET modrību darbarīka lietošanas laikā (tas var gadīties pēc darbarīka daudzkārtējas izmantošanas), rūpīgi ievērojiet urbšanas drošības noteikumus šim izstrādājumam. **NEPAREIZAS LIETOŠANAS** vai šīs rokasgrāmatas drošības noteikumu neievērošanas gadījumā var gūt smagas traumas.

ENC007-8

**SVARĪGI DROŠĪBAS NOTEIKUMI
AKUMULATORA LIETOŠANAI**

1. Pirms akumulatora lietošanas izlasiet visus norādījumus un brīdinājumus, kuri attiecas uz (1) akumulatora lādētāju, (2) akumulatoru un (3) ierīci, kurā tiek izmantots akumulators.
2. Neizjauciet akumulatoru.
3. Ja akumulatora darbības laiks kļuva ievērojami īsāks, nekavējoties pārtrauciet to izmantot. Citādi, tas var izraisīt pārkarsējumu, uzliesmojumu vai pat sprādzienu.
4. Ja elektrolīts nonāk acīs, izskalojiet tās ar tīru ūdeni un nekavējoties griezieties pie ārsta. Tas var izraisīt redzes zaudēšanu.

5. Neradiet īssavienojumu akumulatora kasetnē:
 - (1) Neskarieties pie termināliem ar jebkāda veida vadītspējīgiem materiāliem.
 - (2) Neuzglabājiet akumulatoru kasetni kopā ar citiem metāla priekšmetiem, tādiem kā naglas, monētas u.c.
 - (3) Nepakļaujiet akumulatora kasetni ūdens vai lietus iedarbībai.

Īssavienojums var radīt lielu strāvas plūsmu, pārkaršanu, var radīt apdegumus vai pat bojājumus.

6. Neuzglabājiet darbarīku un akumulatora kasetni vietās, kur temperatūra var sasniegt vai pārsniegt 50°C (122°F).
7. Nededziniet akumulatora kasetni, pat ja tā ir stipri bojāta vai pilnībā nolietota. Akumulatora kasetne ugunī var eksplodēt.
8. Uzmanieties, lai neļautu akumulatoram nokrist un nepakļautu to sitienam.
9. Neizmantojiet bojātu akumulatoru.
10. Ievērojiet vietējos noteikumus par akumulatora likvidēšanu.

SAGLABĀJIET ŠOS NORĀDĪJUMUS.

Ieteikumi akumulatora kalpošanas laika pagarināšanai.

1. Uzlādējiet akumulatora kasetni pirms tā pilnīgi izlādējas.
Vienmēr, kad ievērojat, ka darbarīka darba jauda zudusi, apturiet darbarīku un uzlādējiet akumulatora kasetni.
2. Nekad neuzlādējiet pilnībā uzlādētu akumulatora kasetni.
Pārmērīga uzlāde saīsina akumulatora kalpošanas laiku.
3. Uzlādējiet akumulatora kasetni istabas temperatūrā 10°C - 40°C (50°F - 104°F). Karstai akumulatora kasetnei pirms uzlādes ļaujiet atdzist.
4. Uzlādējiet akumulatora kasetni reizi sešos mēnešos, ja to neizmantojat ilgu laiku.

FUNKCIJU APRAKSTS

⚠UZMANĪBU:

- Pirms darbarīka regulēšanas vai tā darbības pārbaudes vienmēr pārliecinieties, ka darbarīks ir izslēgts un akumulatora kasetne ir izņemta.

Akumulatora kasetnes uzstādīšana un izņemšana

Att.1

⚠UZMANĪBU:

- Vienmēr pirms akumulatora kasetnes uzstādīšanas vai noņemšanas izslēdziet darbarīku.
- **Uzstādot vai izņemot akumulatora kasetni, darbarīku un akumulatora kasetni turiet cieši.** Ja darbarīku un akumulatora kasetni netur cieši, tie var izkrist no rokām un radīt bojājumus darbarīkam un akumulatora kasetnei, kā arī izraisīt ievainojumus.

Lai izņemtu akumulatora kasetni, izvelciet to no darbarīka, pārbīdot kasetnes priekšpusē esošo pogu.

Lai uzstādītu akumulatora kasetni, salāgojiet mēlīti uz akumulatora kasetnes ar rievu ietvarā un iebīdiet to vietā. Bīdīet to iekšā līdz klikšķim, kas nozīmē, ka tā ir pareizi uzstādīta. Ja pogas augšējā daļā ir redzams sarkans indikators, tas nozīmē, ka tā nav pilnīgi bloķēta.

⚠UZMANĪBU:

- Vienmēr ievietojiet akumulatora kasetni tā, lai sarkanais indikators nebūtu redzams. Pretējā gadījumā tā var nejauši izkrist no darbarīka un radīt jums vai apkārtējiem ievainojumu.
- Neievietojiet akumulatora kasetni ar spēku. Ja kasetne neslīd ietvarā viegli, tā nav pareizi ielikta.

Akumulatora aizsardzības sistēma

Darbarīks ir aprīkots ar akumulatora aizsardzības sistēmu. Šī sistēma automātiski izslēdz jaudas padevi motoram, lai pagarinātu akumulatora kalpošanas laiku. Darbarīks automātiski pārstās darboties ekspluatācijas laikā, ja darbarīku un/vai akumulatoru pakļaus kādam no šiem apstākļiem.

- Pārslodze:

Darbarīku ekspluatācijas laikā lieto tādā veidā, ka tas saista pārmērīgu strāvu.

Šādā gadījumā izslēdziet darbarīku un pārtrauciet darbību, kas izraisīja darbarīka pārslodzi. Ieslēdziet darbarīku, lai atsāktu darbu.

Ja darbarīks nesāk darboties, akumulators ir pārkaršis. Šādā gadījumā ļaujiet akumulatoram atdzist, pirms vēlreiz ieslēgt darbarīku.

- Zema akumulatora jauda:

Akumulatora atlikusī jauda ir pārāk zema, un darbarīks nedarbosies. Šādā gadījumā akumulatoru noņemiet un veiciet tam uzlādi.

PIEZĪME:

Aizsardzība pret pārkaršanu darbojas tikai ar akumulatoru, kam ir zvaigznes marķējums.

Att.2

Spiednes stāvokļa mainīšana

Att.3

Spiednes turekļa stāvokli iespējams mainīt par 360°. Lai to mainītu, rīkojieties šādi.

1. Ar komplektā esošo uzgriežņu atslēgu atskrūvējiet kontruzgriezni.
2. Mazliet pavelciet spiednes turekli un pagrieziet to darbam piemērotā stāvoklī.
3. Pieskrūvējiet kontruzgriezni, lai nostiprinātu spiednes turekli vēlamajā stāvoklī.

Darbarīkam ir četri nekustīgie aizturi - ik pēc 90°: 0°, 90° uz kreiso un labo pusi un 180°. Lai novietotu spiediņi kādā no šiem nekustīgajiem aizturiem:

4. Ar komplektā esošo uzgriežņu atslēgu atskrūvējiet kontruzgriezni.
5. Mazliet pavelciet spiednes turekli un to nedaudz piespiediet, griežot līdz vēlamajam stāvoklim. Spiednes tureklis tiks nobloķēts vienā no nekustīga aiztura stāvokļiem pēc vajadzības.
6. Mazliet pagrieziet spiednes turekli, lai pārbaudītu, vai tas šajā stāvoklī ir nekustīgi nobloķēts.
7. Pieskrūvējiet kontruzgriezni, lai nostiprinātu spiednes turekli.

Pieļaujamais griešanas biežums

Att.4

Griežamā materiāla biežums ir atkarīgs no paša materiāla stiepes izturības. Rieva spiednes tureklī kalpo par biežuma mēru pieļaujamajam griešanas biežumam. Negrieziet tādus materiālus, kurus nevar ievietot šajā rievā.

Griešanas līnija

Ierobs spiednes tureklī norāda vajadzīgo griešanas līniju. Tā platums ir vienāds ar griešanas platumu. Veicot griezumam, savietojiet ierobu ar griešanas līniju uz apstrādājamā materiāla.

Slēdža darbība

Att.5

UZMANĪBU:

- Pirms akumulatora kasetnes uzstādīšanas darbarīkā, vienmēr pārbaudiet, vai slēdžs darbojas pareizi un atgriežas "OFF" (izslēgts) stāvoklī, kad tā aizmugurējā daļa tiek nospiesta.
- Slēdzi var ieslēgt "ON" (ieslēgts) stāvoklī, lai atvieglotu operatora darbu ilgstoša darba laikā. Esiet uzmanīgi, ieslēdzot darbarīku "ON" (ieslēgts) stāvoklī, un turpiniet cieši turēt darbarīku.

Lai iedarbinātu darbarīku, pārvietojiet slēdži "I (ON)" (ieslēgts) pozīcijas virzienā. Lai darbarīks darbotos nepārtraukti, nospiediet slēdžlīdzda priekšējo daļu, lai to nobloķētu.

Lai apturētu darbarīku, nospiediet slēdžlīdzda aizmugurējo daļu un pārvietojiet to "O (OFF)" (izslēgts) pozīcijas virzienā.

Daudzfunkciju indikatora lampiņa

Att.6

Indikatora lampiņas atrodas divos stāvokļos.

- **Akumulatora kasetnes nomaiņas signāls**
 - Kad akumulatora jauda ekspluatācijas laikā ir gandrīz beigusies, izgaismojas sarkanā gaisma, un darbarīks nekavējoties izslēdzas. Kad sarkanā gaisma izgaismojas, nomainiet akumulatoru pret pilnībā uzlādētu.
- **Nejaušas atkārtotas iedarbināšanas novēršanas funkcija**
 - Pat ja akumulatora kasetne ir ievietota darbarīkā, slēdžlīdzim esot "I (ON)" (ieslēgts) stāvoklī, darbarīks nesāk darboties. Šajā laikā lampiņa mirgo lēnām, kas norāda uz to, ka darbojas nejaušas atkārtotas iedarbināšanas novēršanas funkcija.
 - Lai iedarbinātu darbarīku, pārvietojiet slēdžlīdzdi "O (OFF)" (izslēgts) stāvoklī, un tad - "I (ON)" (ieslēgts) stāvoklī.

MONTĀŽA

UZMANĪBU:

- Pirms darbarīka regulēšanas vai apkopes vienmēr pārliecinieties, ka darbarīks ir izslēgts un akumulatora kasetne ir izņemta.

Causritņa un spiednes noņemšana vai uzstādīšana

Att.7

Causritni un spiediņi vienmēr nomainiet kopā kā komplektu. Lai noņemtu caursitni un spiediņi, ar uzgriežņu atslēgu atskrūvējiet kontruzgriezni. Noņemiet spiednes turekli nost no darbarīka. Ar seššķautņu uzgriežņu atslēgu atskrūvējiet bultskrūves, ar ko piestiprināta spiedne. Noņemiet spiediņi no tās turekļa.

Ar seššķautņu uzgriežņu atslēgu atskrūvējiet skrūvi, ar ko piestiprināts caursitnis. Izvelciet caursitni ārā no tā turekļa.

Att.8

Lai uzstādītu caursitni un spiediņi, ievietojiet caursitni tā tureklī tā, lai caursitņa ierobs būtu vērsts pret skrūvi. Pieskrūvējiet skrūvi, lai nostiprinātu caursitni. Uzstādi spiediņi uz tās turekļa. Pieskrūvējiet bultskrūves, lai nostiprinātu spiediņi.

Att.9

Tad uz darbarīka uzstādi spiednes turekli tā, lai caursitnis būtu ievietots spiednes turekļa caurumā. Pieskrūvējiet kontruzgriezni, lai nostiprinātu spiednes turekli. Pēc caursitņa un spiednes nomaiņas ieeļļojiet tos ar mašīneļļu, un kādu laiku darbiniet darbarīku.

Att.10

EKSPLUATĀCIJA

Ieeļļošana pirms darba

Griešanas līniju ieeļļojiet ar mašīneļļu, lai pagarinātu caursitņa un spiednes ekspluatācijas laiku. Tas jo īpaši ir svarīgi, griežot alumīniju.

Griešanas metode

Att.11

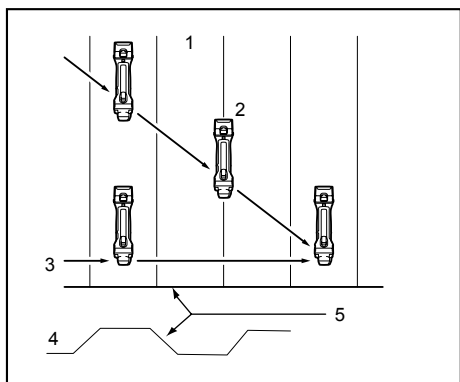
Turiet darbarīku tā, lai griešanas galviņa būtu vērsta pareizā leņķī (90°) pret apstrādājamo materiālu. Uzmanīgi virziet darbarīku griešanas virzienā.

Izzāģējumi

Att.12

Izgriezumus iespējams veikt, sākumā izgriežot apaļu caurumu apmēram 21 mm diametrā, kurā var ievietot griešanas galviņu.

Gofrētu vai trapecveida lokšņu materiālu griešana



1. Skatoties no augšpuses
2. Griežot leņķī pret rievām
3. Griežot perpendikulāri rievām
4. Skatoties no malas
5. Gofrēts vai trapecveida lokšņu metāls

013280

Uzstādi spiediņ tādā stāvoklī, lai tā būtu vērsta griešanas virzienā gofrētos vai trapecveida lokšņu materiālos griežot vai nu leņķī vai perpendikulāras rievās.

Att.13

Darbarīka korpusu vienmēr turiet paralēli rievām, griešanas galviņu turot pareizajā leņķī (90°) pret griežamo virsmu, kā attēlots zīmējumā.

APKOPE

⚠UZMANĪBU:

- Pirms darbarīka pārbaudes vai apkopes vienmēr pārlicinieties, ka darbarīks ir izslēgts un akumulatora kasetne ir izņemta.
- Nekad neizmantojiet gāzotīnu, benzīnu, atšķaidītāju, spirtu vai līdzīgus šķidrumus. Tas var radīt izbalēšanu, deformāciju vai plaisas.

Ogles suku nomaiņa

Att.14

Regulāri izņemiet un pārbaudiet ogles suku. Kad ogles suku ir nolietojušās līdz robežas atzīmei, nomainiet tās. Turiet ogles suku tīras un pārbaudiet, vai tās var brīvi ieiet turekļos. Abas ogles suku ir jānomaina vienlaikus. Izmantojiet tikai identiskas ogles suku. Ievietojiet rievās uzgaļa skrūvgrieža augšgalu darbarīka ierobā un noņemiet turekļa vāka aizsargu, paceļot to uz augšu.

Att.15

Noņemiet suku turekļa vāciņus ar skrūvgrieža palīdzību. Izņemiet nolietojušās ogles suku, ievietojiet jaunas un nostipriniet suku turekļa vāciņus.

Att.16

Uzlieciet turekļa vāka aizsargu atpakaļ uz darbarīka. Lai saglabātu produkta DROŠU un UZTICAMU darbību, remontdarbus, apkopi un regulēšanu uzticiet veikt tikai Makita pilnvarotam apkopes centram un vienmēr izmantojiet tikai Makita rezerves daļas.

PAPILDU PIEDERUMI

⚠UZMANĪBU:

- Šādi piederumi ir rīki tiek ieteikti lietošanai ar šajā pamācībā aprakstīto Makita instrumentu. Jebkādu citu piederumu un rīku izmantošana var radīt traumu briesmas. Piederumu vai rīku izmantojiet tikai tā paredzētajam mērķim.

Ja jums vajadzīga palīdzība vai precīzāka informācija par šiem piederumiem, vērsieties savā tuvākajā Makita apkopes centrā.

- Spiedne
- Causitnis
- Seššķautņu uzgriežņu atslēga
- Uzgriežņu atslēga 32
- Makita oriģinālais akumulators un lādētājs

PIEZĪME:

- Daži sarakstā norādītie izstrādājumi var būt iekļauti instrumenta komplektācijā kā standarta piederumi. Tie dažādās valstīs var būt atšķirīgi.

LIETUVIŲ KALBA (Originali naudojimo instrukcija)

Bendrasis aprašymas

1-1. Mygtukas	6-1. Indikatoriaus lemputė	10-2. Antgalis
1-2. Raudonas indikatorius	7-1. Angalio laikiklis	10-3. Prakalasis
1-3. Akumuliatoriaus kasėtė	7-2. Antgalis	10-4. Angalio laikiklis
2-1. Žvaigždutės ženklas	7-3. Sraigtai	13-1. Vaizdas iš šono
3-1. Angalio laikiklis	7-4. Šešiabriaunis veržliaraktis	13-2. Pjovimo galvetė turi būti nukreipta dešiniuoju kampu (90°) į pjovimo paviršių.
3-2. Fiksavimo galvetė	8-1. Prakalasis	14-1. Ribos žymė
3-3. Atleisti	8-2. Prakalo laikiklis	15-1. Laikiklio galvutės dangtis
3-4. Veržliaraktis	8-3. Sraigtas	15-2. Įdubimas
4-1. Matas nerūdijančiam plieniui pjauti: 1,2 mm (3/64 colio)	8-4. Šešiabriaunis veržliaraktis	15-3. Atsuktuvasis
4-2. Matas minkštam plieniui pjauti: 1,6 mm (1/16 colio)	8-5. Atleisti	16-1. Šepetėlio laikiklio dangtelis
4-3. Įdubimas	8-6. Priveržkite	16-2. Atsuktuvasis
5-1. Stumdomas jungiklis	9-1. Prakalasis	
	9-2. Įdubimas	
	10-1. Sraigtai	

SPECIFIKACIJOS

Modelis	BJN160	BJN161	
Didž. Pjovimo matmetys	Plienas iki 400 N/mm ²	1,6 mm / 16 kalibras	1,6 mm / 16 kalibras
	Plienas iki 600 N/mm ²	1,2 mm / 18 kalibras	1,2 mm / 18 kalibras
	Aliuminis iki 200 N/mm ²	2,5 mm / 12 kalibras	2,5 mm / 12 kalibras
Minimalus pjovimo spindulys	Išorinis kraštas	50 mm	50 mm
	Vidinis kraštas	45 mm	45 mm
Pjovimo judesiai per minutę (min ⁻¹)	1 900	1 900	
Bendras ilgis	313 mm	313 mm	
Neto svoris	2,1 kg	2,2 kg	
Nominali įtampa	Nuol. sr. 14,4 V	Nuol. sr. 18 V	

• Atliekame nepertraukiamus tyrimus ir nuolatos tobuliname savo gaminius, todėl čia pateikiamos specifikacijos gali būti keičiamos be įspėjimo.

• Specifikacijos ir akumuliatorių kasėtės įvairiose šalyse gali skirtis.

• Svoris su akumuliatoriaus kasete pagal Europos elektrinių įrankių asociacijos metodiką „EPTA-Procedure 01/2003“

ENE037-1

ENG900-1

Paskirtis

Šis įrankis skirtas lakštiniams plieniui ir nerūdijančiam lakštiniams plieniui pjauti.

ENG905-1

Triukšmas

Tipiškas A svertinis triukšmo lygis nustatytas pagal EN60745:

Modelis BJN160

Garso slėgio lygis (L_{PA}): 72 dB (A)

Paklaida (K): 3 dB (A)

Triukšmo lygis dirbant gali viršyti 80 dB (A).

Modelis BJN161

Garso slėgio lygis (L_{PA}): 73 dB (A)

Paklaida (K): 3 dB (A)

Triukšmo lygis dirbant gali viršyti 80 dB (A).

Dėvėkite ausų apsaugas

Vibracija

Vibracijos bendroji vertė (trijų ašių vektorinė suma) nustatyta pagal EN60745:

Modelis BJN160

Darbinis režimas : metalo lakšto pjovimas

Vibracijos skleidimas (a_h) : 7,0 m/s²

Paklaida (K): 1,5 m/s²

Modelis BJN161

Darbinis režimas : metalo lakšto pjovimas

Vibracijos skleidimas (a_h) : 6,5 m/s²

Paklaida (K): 1,5 m/s²

ENG901-1

- Paskelbtasis vibracijos emisijos dydis nustatytas pagal standartinį testavimo metodą ir jį galima naudoti vienam įrankiui palyginti su kitu.
- Paskelbtasis vibracijos emisijos dydis taip pat gali būti naudojamas preliminariam įvertinti vibracijos poveikį.

⚠️ ĮSPĖJIMAS:

- Faktiškai naudojant elektrinį įrankį, keliamos vibracijos dydis gali skirtis nuo paskelbto dydžio, priklausomai nuo būdu, kuriais yra naudojamas šis įrankis.
- Siekiant apsaugoti operatorių, būtina įvertinkite saugos priemones, remdamiesi vibracijos poveikio įvertinimu esant faktinėms naudojimo sąlygoms (atsižvelgdami į visas darbo ciklo dalis, pavyzdžiui, ne tik kiek laiko įrankis veikia, bet ir kiek kartų jis yra išjungiamas bei kai jis veikia be apkravų).

ENH101-16

Tik Europos šalims

ES atitikties deklaracija

Mes, „Makita Corporation“ bendrovė, būdami atsakingas gamintojas, pareiškiame, kad šis „Makita“ mechanizmas(-ai):

Mechanizmo paskirtis:

Belaidės skardos žirkelės

Modelio Nr./ tipas: BJN160, BJN161

priklauso serijinei gamybai ir

Atitinka šias Europos direktyvas:

2006/42/EC

Ir yra pagamintas pagal šiuos standartus arba normatyvinius dokumentus:

EN60745

Techninė dokumentacija saugoma:

Makita International Europe Ltd.

Technical Department,

Michigan Drive, Tongwell,

Milton Keynes, Bucks MK15 8JD, England (Anglija)

26.4.2012



000230

Tomoyasu Kato

Direktorius

Makita Corporation

3-11-8, Sumiyoshi-cho,

Anjo, Aichi, 446-8502, JAPAN (Japonija)

GEA010-1

Bendrieji perspėjimai darbui su elektriniais įrankiais

⚠️ ĮSPĖJIMAS Perskaitykite visus saugos įspėjimus ir instrukcijas. Nesilaikydami žemiau pateiktų įspėjimų ir instrukcijų galite patirti elektros smūgi, gaisrą ir/arba sunkų sužeidimą.

Išsaugokite visus įspėjimus ir instrukcijas, kad galėtumėte jas peržiūrėti ateityje.

SAUGOS ĮSPĖJIMAI DĖL ŽIRKLIŲ SKARDAI NAUDOJIMO

1. Tvirtai laikykite įrankį.
2. Gerai įtvirtinkite ruošinį.
3. Žiūrėkite, kad rankos būtų kuo toliau nuo judamųjų dalių.
4. Ruošinio briaunos ir nuolaužos yra aštrios. Mūvėkite pirštines. Taip pat patariama avėti batus su storais padais, kurie padeda išvengti sužeidimų.
5. Nedėkite įrankio ant ruošinio nuolaužų. Antraip galima žala įrankiui ir jo triktys.
6. Nepalikite veikiančio įrankio. Naudokite įrankį tik laikydami rankomis.
7. Visuomet stovėkite tvirtai. Įsitinkinkite, kad po jumis nieko nėra, jei dirbate aukštai.
8. Nelieskite skylmušio, antgalio arba ruošinio iškart po naudojimo; jie gali būti itin karšti ir nudeginti odą.
9. Nepjaukite elektros laidų. Elektros smūgis gali būti nelaimingo atsitikimo priežastimi.

SAUGOKITE ŠIAS INSTRUKCIJAS.

⚠️ ĮSPĖJIMAS:

NELEISKITE, kad patogumas ir gaminio pažinimas (įgyjamas pakartotinai naudojant) susilpnintų griežtą saugos taisyklių, taikytinų šiam gaminiui, laikymąsi. Dėl NETINKAMO NAUDOJIMO arba saugos taisyklių nesilaikymo, kurios pateiktos šioje instrukcijoje galima rimtai susižeisti.

ENC007-8

SVARBIOS SAUGOS INSTRUKCIJOS

AKUMULIATORIAUS KASETEI

1. Prieš naudodami akumulatoriaus kasetę, perskaitykite visas instrukcijas ir perspėjimus ant (1) akumuliatorių kroviklio, (2) akumuliatorių ir (3) akumuliatorių naudojančio gaminio.
2. Neardykite akumulatoriaus kasetės.
3. Jei įrankio darbo laikas žymiai sutrumpėjo, nedelsdami nutraukite darbą su įrankiu. Tai kelia perkaitimo, nudegimų ar net sprogdimo pavojų.
4. Jei elektrolitas pateko į akis, plaukite jas tyru vandeniu ir nedelsdami kreipkitės į gydytoją. Yra regėjimo praradimo pavojus.

5. **Neužtrumpinkite akumulatoriaus kasetės:**
 - (1) **Kontaktų nelieskite jokiais elektra laidžiomis medžiagomis;**
 - (2) **Venkite laikyti akumulatoriaus kasetę kartu su kitais metaliniais daiktais, pavyzdžiui, vinimis, monetomis ir t. t.;**
 - (3) **Saugokite akumulatoriaus kasetę nuo vandens ir lietaus.**

Trumpasis jungimas akumulatoriuje gali sukelti stiprią srovę, perkaitimą, galimus nudegimus ar net akumulatoriaus gedimą.
6. **Nelaikykite įrankio ir akumulatoriaus kasetės vietoje, kur temperatūra gali pasiekti ar viršyti 50 ° C (122 ° F);**
7. **Nedeginkite akumulatoriaus kasetės, net jei yra stipriai pažeista ar visiškai susidėvėjusi. Ugnyje akumulatoriaus kasetė gali sprogti.**
8. **Saugokite akumuliatorių nuo kritimo ir smūgių.**
9. **Nenaudokite pažeisto akumulatoriaus.**
10. **Vadovaukitės vietos įstatymais dėl akumuliatorių išmetimo.**

SAUGOKITE ŠIAS INSTRUKCIJAS.

Patarimai, ką daryti, kad akumulatorius tarnautų kuo ilgiau

1. **Kraukite akumulatoriaus kasetę prieš jai visiškai išsikraunant.**
Visuomet nustokite naudoti įrankį ir kraukite akumulatoriaus kasetę, kai pastebite sumažėjusią įrankio galią.
2. **Niekada nekraukite iki galo įkrautos akumulatoriaus kasetės.**
Per didelis įkrovimas trumpina akumulatoriaus eksploatacijos laiką.
3. **Kraukite akumulatoriaus kasetę kambario temperatūroje 10 ° C - 40 ° C (50 ° F - 104 ° F).** Prieš kraudami leiskite atvėsti karštai akumulatoriaus kasetei.
4. **Įkraukite akumulatoriaus kasetę kas šešis mėnesius, kai jos ilgai nenaudojate.**

VEIKIMO APRAŠYMAS

⚠DĖMESIO:

- Prieš reguliuodami įrenginį arba tikrindami jo veikimą visada patikrinkite, ar įrenginys išjungtas, o akumuliatorių kasetė - nuimta.

Akumulatoriaus kasetės uždėjimas ir nuėmimas

Pav.1

⚠DĖMESIO:

- Prieš įdėdami arba išimdami akumulatoriaus kasetę, visada išjunkite įrankį.
- **Įdėdami arba išimdami akumulatoriaus kasetę, tvirtai laikykite įrankį ir akumulatoriaus kasetę.** Jeigu įrankį ir akumulatoriaus kasetę laikysite netvirtai, jie gali išskysti iš jūsų rankų ir sąlygoti įrankio bei akumulatoriaus kasetės gedimą ir vartotojo sužalojimą.

Jei norite išimti akumulatoriaus kasetę, ištraukite ją iš įrankio, stumdami mygtuką, esantį kasetės priekyje. Jeigu norite įdėti akumulatoriaus kasetę, sutapdinkite liežuvelį ant akumulatoriaus kasetės su grioveliu korpusė ir įstumkite į skirtą vietą. Įdėkite iki galo, kol spragtelėdama užsifiksuos. Jeigu matote raudoną indikatorių viršutinėje mygtuko pusėje, ji nėra visiškai užfiksuota.

⚠DĖMESIO:

- Akumulatoriaus kasetę visada įkiškite iki galo, kol nebematysite raudono indikatoriaus. Priešingu atveju ji gali atsitiktinai iškristi iš įrankio, sužeisti jus ar aplinkinius.
- Nekiškite akumulatoriaus kasetės jėga. Jeigu kasetė sunkiai lenda, ji kišama netinkamai.

Akumulatoriaus apsaugos sistema

Įrankyje įrengta akumulatoriaus apsaugos sistema. Ši sistema automatiškai atjungia variklio maitinimą, kad pailgėtų akumulatoriaus naudojimo laikas.

Įrankis automatiškai išsijungs darbo metu, esant vienai iš šių įrankio ir (arba) akumulatorius darbo sąlygai:

- **Perkrautas:**
Įrankis naudojamas taip, kad jame neįprastai padidėja elektros srovė. Tokiu atveju išjunkite įrankį ir nutraukite darbą, dėl kurio kilo įrankio perkrova. Po to įjunkite įrankį ir vėl tęskite darbą. Jeigu įrankis neįsijungia, reiškia perkrautas akumulatorius. Tokiu atveju palaukite, kol akumulatorius atvės, paskui vėl įjunkite įrankį.
- **Žema akumulatoriaus įtampa:**
Likusi akumulatoriaus energija per maža ir įrankis negali veikti. Tokiu atveju išimkite akumuliatorių ir įkraukite jį.

PASTABA:

Apsaugos nuo perkaitimo sistema veikia tik tada, jei naudojamas akumulatorius su žvaigždutės ženklu.

Pav.2

Antgalio padėties keitimas

Pav.3

Antgalio laikiklio padėtį galima keisti 360° kampu. Norėdami ją pakeisti, atlikite tokius veiksmus.

1. Pateiktu varžliarakčiu atsukite fiksavimo varžlę.
2. Truputį ištraukite antgalio laikiklį ir pasukite jį norima kryptimi.
3. Užveržkite fiksavimo varžlę, kad antgalio laikiklis būtų užtvirtintas norimoje padėtyje.

Yra keturios teigiamos 90° kampo dydžio fiksavimo vietos: 0°, 90° į kairę ir dešinę bei 180°. Norėdami nustatyti antgalį į bet kurią iš šių trijų teigiamų fiksavimo vietų:

4. Pateiktu varžliarakčiu atsukite fiksavimo varžlę.
5. Truputį ištraukite antgalio laikiklį ir švelniai nuspauskite, pasukdami jį norima kryptimi. Antgalio laikiklis užsifiksuos vienoje iš norimų teigiamų fiksavimo padėčių.
6. Norėdami įsitikinti, ar antgalio laikiklis tinkamai užfiksnuotas norimoje padėtyje, truputį pasukite jį.
7. Užveržkite fiksavimo varžlę ir antgalio laikiklis bus užtvirtintas.

Leistas pjovimo storis

Pav.4

Kalamos medžiagos storis priklauso nuo pačios medžiagos įtempimo stiprumo. Antgalio laikiklio griovelis naudojamas vietoj storio matuoklio, norint nustatyti pjūvio storį. Nebandykite pjauti medžiagos, jeigu ji netelpa į šį griovelį.

Pjovimo linija

Antgalio laikiklyje esanti prapjova parodo pjovimo liniją. Jos plotis lygus pjovimo pločiui. Pjaudami, sulygiuokite prapjovą su ant ruošinio pažymėta pjovimo linija.

Jungiklio veikimas

Pav.5

⚠DĖMESIO:

- Prieš įjungdami įrankį į elektros tinklą, visuomet patikrinkite, ar stumdomas jungiklis tinkamai išjungia ir grįžta į išjungimo padėtį „OFF“ (Išjungta), kai nuspaudžiamas jungiklio galas.
- Kai įrankis naudojamas ilgą laiką tarpą, operatoriaus patogumui jungiklį galima užfiksuoti „ON“ (Jungta) padėtyje. Būkite atsargūs, užfiksudami įrankį „ON“ padėtyje ir tvirtai laikykite įrankio rankeną.

Jei norite įjungti įrankį, pastumkite stumdomą jungiklį į padėtį „I (ON)“. Jei norite dirbti be pertraukų, paspauskite stumdomo jungiklio priekį, kad užfiksnuotumėte.

Įrankiui sustabdyti paspauskite stumdomo jungiklio galą, tada nustumkite į išjungimo padėtį "O (OFF)".

Daugiafunkcinė indikatoriaus lemputė

Pav.6

Indikatoriaus lemputės išdėstytos dviejose vietose.

– Akumulatoriaus kasetės pakeitimo įspėjimo signalas

- Kai darbo metu akumulatoriaus energija beveik išnaudojama, užsidega raudona įspėjamoji lemputė ir įrankis tuoj pat išsijungia. Todėl, kai tik užsidega raudona lemputė, pakeiskite akumuliatorių visiškai įkrautus.

– Atsitiktinės pakartotinos paleisties apsaugos funkcija

- Jeigu į įrankį įdėsite akumulatoriaus kasetę ir pastumsite stumdomą jungiklį į padėtį „I“ (Jungta), įrankis vis tiek neįsijungs. Lemputė lėtai žybcios, rodydama, kad jungta atsitiktinės pakartotinės paleisties apsaugos funkcija.
- Norėdami įjungti įrankį, stumkite stumdomą mygtuką į „O“ (Išjungta) padėtį, ir po to gražinkite ją į padėtį „I“ (Jungta).

SURINKIMAS

⚠DĖMESIO:

- Prieš darydami ką nors įrankiui visada patikrinkite, ar įrenginys išjungtas, o akumuliatorių kasetė - nuimta.

Prakalo ir antgalio sumontavimas arba nuėmimas

Pav.7

Visada pakeiskite visą prakalo arba antgalio komplektą. Norėdami nuimti prakalą arba antgalį, varžliarakčiu atsukite fiksavimo varžlę. Ištraukite iš įrankio antgalio laikiklį. Šešiakampiu varžliarakčiu atsukite antgalį laikančius varžtus. Ištraukite atgalį iš jo laikiklio. Šešiakampiu varžliarakčiu atsukite avržtą, kuris laiko prakalą. Ištraukite prakalą iš jo laikiklio.

Pav.8

Norėdami sumontuoti prakalą ir antgalį, įkiškite prakalą į jo laikiklį, kad jame esanti prapjova būtų atsukta į varžtą. Užveržkite prakalą varžtu. Įtaisykite atgalį į jo laikiklį. Užveržkite antgalį tvirtinančius varžtus.

Pav.9

Po to įstatykite antgalio laikiklį į įrankį taip, kad prakalas būtų prakištas pro antgalio laikiklyje esančią skylę. Užveržkite fiksavimo varžlę ir antgalio laikiklis bus užtvirtintas. Pakeitę prakalą ir antgalį naujais, patepkite juos mašininė alyva ir leiskite įrankiui padirbti.

Pav.10

NAUDOJIMAS

Išankstinis patepimas

Patepkite pjovimo liniją mašinine alyva, kad prakala ir antgalis ilgiau tarnautų. Tia ypač svarbu pjaunant aliuminį.

Pjovimo būdas

Pav.11

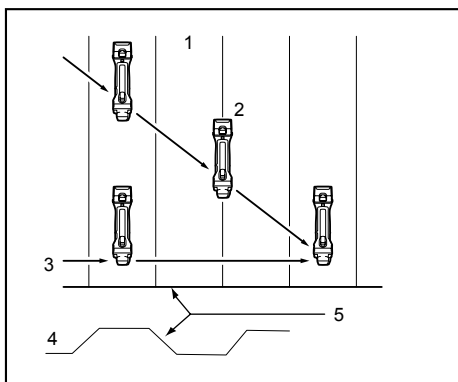
Laikykite įrankį taip, kad pjovimo galvutė būtų nukreipta į roošinį stačiu kampu (90°). Atsargiai stumkite įrankį pjovimo kryptimi.

Išpjovos

Pav.12

Išpjovos galima padaryti pirma iškalant apvalią skylę, kurios skersmuo didesnis nei 21 mm, į kurią galima būtų įkišti pjovimo galvutę.

Gofruotų arba trapezoidinių metalo lakštų pjovimas



1. Vaizdas iš viršaus
2. Griovelių pjovimas kampu
3. Lygiagretus griovelių pjovimas
4. Vaizdas iš šono
5. Gofruotas arba trapezoidinis metalo lakštas

013280

Pjaudami kampu arba statmenai gofruoto arba trapezoidinio metalo lakšto grioveliams, nustatykite tokią antgalio padėtį, kad jis būtų nukreiptas pjovimo kryptimi.

Pav.13

Įrankio korpusą laikykite lygiagrečiai grioveliams, pjovimo galvutę nukreipę stačiu kampu (90°) į pjovimo paviršių, kaip parodyta paveikselyje.

TECHNINĖ PRIEŽIŪRA

⚠DĖMESIO:

- Visuomet įsitikinkite, kad įrankis yra išjungtas ir akumulatoriaus kasetė yra nuimta prieš atliekant apžiūrą ir priežiūrą.
- Niekada nenaudokite gazolino, benzino, tirpiklio, spirito arba panašių medžiagų. Gali atsirasti išblukimų, deformacijų arba įtrūkimų.

Anglinių šepetėlių keitimas

Pav.14

Periodiškai išimkite ir patikrinkite anglinius šepetėlius. Pakeiskite juos, kai nusidėvi iki ribos žymės. Laikykite anglinius šepetėlius švarius ir laisvai įslenkančius į laikiklius. Abu angliniai šepetėliai turėtų būti keičiami tuo pačiu metu. Naudokite tik identiškus anglinius šepetėlius.

Įkiškite atsuktuvu su grioveliais galiuką į įrankio įranta, tada pakelkite ir išimkite laikiklio galvutės dangtelį.

Pav.15

Jei norite nuimti šepetėlių laikiklių dangtelius, pasinaudokite atsuktuvu. Išimkite sudėvėtus anglinius šepetėlius, įdėkite naujus ir įtvirtinkite šepetėlių laikiklio dangtelį.

Pav.16

Atgal uždėkite dangtelį ant įrankio.

Kad gaminys būtų SAUGUS ir PATIKIMAS, jį taisyti, apžiūrėti ar vykdyti bet kokią kitą priežiūrą ar derinimą turi įgaliotasis kompanijos „Makita“ techninės priežiūros centras; reikia naudoti tik kompanijos „Makita“ pagamintas atsargines dalis.

PASIRENKAMI PRIEDAI

⚠DĖMESIO:

- Su šiaime vadove aprašytu įrenginiu „Makita“ rekomenduojama naudoti tik nurodytus priedus ir papildomus įtaisus. Jeigu bus naudojami kitokie priedai ar papildomi įtaisai, gali būti sužaloti žmonės. Priedus arba papildomus įtaisus naudokite tik pagal paskirtį.

Jeigu norite daugiau sužinoti apie tuos priedus, kreipkitės į artimiausią „Makita“ techninės priežiūros centrą.

- Antgalis
- Prakalas
- Šešiakampis veržliaraktis
- 32 nr. veržliaraktis
- Originalus „Makita“ akumulatorius ir kroviklis.

PASTABA:

- Kai kurie sąraše esantys priedai gali būti pateikti įrankio pakuotėje kaip standartiniai priedai. Jie įvairiose šalyse gali skirtis.

EESTI (algised juhised)

Üldvaate selgitus

1-1. Nupp	6-1. Märgutuli	10-2. Matriits
1-2. Punane näidik	7-1. Matriitsihoidik	10-3. Kärn
1-3. Akukassett	7-2. Matriits	10-4. Matriitsihoidik
2-1. Tähe märgis	7-3. Poldid	13-1. Külgvaade
3-1. Matriitsihoidik	7-4. Kuuskantvõti	13-2. Lõikepea peab olema lõikepinna suhtes täisnurga (90°) all.
3-2. Fiksaatormutter	8-1. Kärn	14-1. Piirmärgis
3-3. Keerake lahti	8-2. Kärnihoidik	15-1. Hoidikukaane kate
3-4. Mutrivõti	8-3. Krugi	15-2. Sälk
4-1. Mõõdik roostevaba terase lõikamiseks: 1,2 mm (3/64")	8-4. Kuuskantvõti	15-3. Kruvikeeraja
4-2. Mõõdik madalsüsinikerase lõikamiseks: 1,6 mm (1/16")	8-5. Keerake lahti	16-1. Harjahoidiku kate
4-3. Sälk	8-6. Pinguta	16-2. Kruvikeeraja
5-1. Liugurlüliti	9-1. Kärn	
	9-2. Sälk	
	10-1. Poldid	

TEHNILISED ANDMED

Mudel		BJN160	BJN161
Max lõikeulatus	Teras kuni 400 N/mm ²	1,6 mm / 16 ga	1,6 mm / 16 ga
	Teras kuni 600 N/mm ²	1,2 mm / 18 ga	1,2 mm / 18 ga
	Alumiiniumi kuni 200 N/mm ²	2,5 mm / 12 ga	2,5 mm / 12 ga
Min lõikeraadius	Välisserv	50 mm	50 mm
	Siseserv	45 mm	45 mm
Käiku minutis (min ⁻¹)		1 900	1 900
Kogupikkus		313 mm	313 mm
Netomass		2,1 kg	2,2 kg
Nimipinge		Alalisvool 14,4 V	Alalisvool 18 V

- Meie jätkuva teadus- ja arendustegevuse programmi tõttu võidakse siin antud tehnilisi andmeid muuta ilma ette teatamata.
- Spetsifikatsioonid ja aku korpus võivad riigiti erineda.
- Kaal koos aku korpusega vastavalt EPTA-protseduurile 01/2003

ENE037-1

ENG900-1

Ettenähtud kasutamine

Tööriist on ette nähtud teraspleki ja roostevabast terasest lehtede lõikamiseks.

ENG905-1

Müra

Tüüpiline A-korrigeeritud müratase vastavalt EN60745:

Mudel BJN160

Helirõhu tase (L_{pA}): 72 dB (A)

Määramatus (K): 3 dB (A)

Müratase töötamisel võib ületada 80 dB (A).

Mudel BJN161

Helirõhu tase (L_{pA}): 73 dB (A)

Määramatus (K): 3 dB (A)

Müratase töötamisel võib ületada 80 dB (A).

Kandke kõrvakaitsmeid

Vibratsioon

Vibratsiooni koguväärtus (kolmeteljeliste vektorite summa) määratud vastavalt EN60745:

Mudel BJN160

Töörežiim: lehtmetsali lõikamine

Vibratsioonitase (a_n): 7,0 m/s²

Määramatus (K): 1,5 m/s²

Mudel BJN161

Töörežiim: lehtmetsali lõikamine

Vibratsioonitase (a_n): 6,5 m/s²

Määramatus (K): 1,5 m/s²

ENG901-1

- Deklareeritud vibratsiooniemissiooni väärtus on mõõdetud kooskõlas standardse testimismeetodiga ning seda võib kasutada ühe seadme võrdlemiseks teisega.
- Deklareeritud vibratsiooniemissiooni väärtust võib kasutada ka mürataseme esmaseks hindamiseks.

△HOIATUS:

- Vibratsioonitase võib elektritööriista tegelikkuses kasutamise ajal erineda deklareeritud väärtusest sõltuvalt tööriista kasutamise viisidest.
- Rakendage kindlasti operaatori kaitsmiseks piisavaid ohutusabinõusid, mis põhinevad hinnangulisel müratasemel tegelikus töösihtuatsioonis (võttes arvesse tööperioodi kõik osad nagu näiteks korrad, mil seade lülitatakse välja ja mil seade töötab tühikäigul, lisaks tööajale).

ENH101-16

Ainult Euroopa riigid

EÜ vastavusdeklaratsioon

Makita korporatsiooni vastutava tootjana kinnitame, et alljärgnev(ad) Makita masin(ad):

Masina tähistus:

Juhtmeta lõikur

Mudel nr./tüüp: BJN160, BJN161

on seeriatoodang ja

Vastavad alljärgnevatele Euroopa Parlamendi ja nõukogu direktiividele:

2006/42/EC

Ning on toodetud vastavalt alljärgnevatele standarditele või standardiseeritud dokumentidele:

EN60745

Tehnilist dokumentatsiooni hoitakse ettevõttes:

Makita International Europe Ltd.

Technical Department,

Michigan Drive, Tongwell,

Milton Keynes, Bucks MK15 8JD, Inglismaa

26.4.2012



Tomoyasu Kato

Direktor

Makita Corporation

3-11-8, Sumiyoshi-cho,

Anjo, Aichi, 446-8502, JAAPAN

000230

GEA010-1

Üldised elektritööriistade ohutushoiatused

△ HOIATUS Lugege läbi kõik ohutushoiatused ja juhised. Hoiatuste ja juhiste mittejärgmine võib põhjustada elektrišokki, tulekahju ja/või tõsiseid vigastusi.

Hoidke alles kõik hoiatused ja juhised edaspidisteks viideteks.

PURUSTI OHUTUSJUHISED

1. Hoidke tööriista kindlalt käes.
2. Kinnitage töödeldav detail kindlalt.
3. Hoidke käed liikuvatest osadest eemal.
4. Töödeldava detaili servad ja laastud on teravad. Kandke kindaid. Samuti soovitatakse kanda paksutallalisi jalatseid, et vältida vigastust.
5. Ärge asetage tööriista töödeldava detaili laastudele. Vastasel korral võib see põhjustada tööriista vigastuse ja talitlushäire.
6. Ärge jätkke tööriista käima. Käivitage tööriist ainult siis, kui hoiate seda käes.
7. Veenduge alati, et omaksite kindlat toetuspinda. Kui töötate kõrguses, siis jälgige, et teist allpool ei viibiks inimesi.
8. Ärge puudutage augutorni, stantsi ega töödeldavat detaili vahetult pärast toimingut; need võivad olla väga kuumad ja põhjustada põletushaavu.
9. Vältige elektrijuhtmetesse sisselõikamist. See võib põhjustada tõsise õnnetuse elektrilöögi näol.

HOIDKE JUHEND ALLES.

△HOIATUS:

ÄRGE laske mugavusel või toote kasutamisharjumustel (mis on saadud korduva kasutuse jooksul) asendada vankumatut toote ohutuseeskirjade järgimist. **VALE KASUTUS** või käesoleva kasutusjuhendi ohutusnõuete eiramine võib põhjustada tõsiseid vigastusi.

ENC007-8

TÄHTSAD OHUTUSALASED JUHISED

AKUKASSETI KOHTA

1. Enne akukasseti kasutamist lugege (1) akulaadijal, (2) akul ja (3) seadmel olevad kõik juhised ja hoiatused läbi.
2. Ärge akukassetti lahti monteerige.
3. Kui tööaeg järjest lüheneb, siis lõpetage kasutamine koheselt. Edasise kasutamise tulemuseks võib olla ülekuumenemisoht, võimalikud põletused või isegi plahvatus.
4. Kui elektrolüüti satub silma, siis loputage silma puhta veega ja pöörduge koheselt arsti poole. Selline õnnetus võib põhjustada pimedaksjäämist.
5. Ärge tekitage akukassetis lühist:
 - (1) Ärge puutuge klemme elektrijuhtidega.
 - (2) Ärge hoidke akukassetti tööriistakastis koos metallsemetega, nagu naelad, mündid jne.

- (3) Ärge tehke akukassetti märjaks ega jätke seda vihma kätte.

Aku lühis võib põhjustada tugevat elektrivoolu, ülekuumenemist, põletusi ning ka seadet tõsiselt kahjustada.

- Ärge hoidke tööriista ja akukassetti kohtades, kus temperatuur võib tõusta üle 50 ° C.
- Ärge põletage akukassetti isegi siis, kui see on saanud tõsiselt vigastada või on täiesti kulunud. Akukassett võib tules plahvatada.
- Olge ettevaatlik ning ärge laske akul maha kukkuda või lööge seda.
- Ärge kasutage kahjustatud akut.
- Järgige kasutuskõlbatuks muutunud aku käitlemisel kohalikke eeskirju.

HOIDKE JUHEND ALLES.

Vihjeid aku maksimaalse kasutusaja tagamise kohta

- Laadige akukassetti enne kui see täiesti tühjaks saab.
Alati, kui märkate, et tööriist töötab väiksema võimsusega, peatage töö ja laadige akut.
- Ärge kunagi laadige täislaetud akukassetti. Liigne laadimine lühendab aku kasutusiga.
- Laadige akukassetti toatemperatuuril 10 ° C - 40 ° C. Laske kuuma akukassetil enne laadimist maha jahtuda.
- Kui Te akukassetti pikemat aega ei kasuta, laadige seda iga kuue kuu järel.

FUNKTSIONAALNE KIRJELDUS

△HOIATUS:

- Kandke alati hoolt selle eest, et tööriist oleks enne reguleerimist ja kontrollimist välja lülitatud ja akukassett eemaldatud.

Akukassetti paigaldamine või eemaldamine

Joon.1

△HOIATUS:

- Lülitage tööriist alati enne akukassetti paigaldamist või eemaldamist välja.
- Hoidke tööriista ja akukassetti kindlalt käes, kui paigaldate või eemaldate akukassetti.** Kui eirata nõuet tööriista ja akukassetti hoidmise kohta, võivad need käest libiseda ja maha kukkudes puruneda ja põhjustada kehavigastusi.

Akukassetti eemaldamiseks libistage see tööriista küljest lahti, vajutades kassetti esiküljel paiknevat nuppu alla.

Akukassetti paigaldamiseks joondage akukassetti keel korpuse soonega ja libistage kassett oma kohale. Paigaldage kassett alati nii kaugele, et see lukustuks klõpsatusega oma kohale. Kui näete nupu ülaosas punast osa, pole kassett täielikult lukustunud.

△HOIATUS:

- Paigaldage akukassett alati täies ulatuses nii, et punast osa ei jääks näha. Vastasel korral võib kassett tööriistast välja kukkuda ning vigastada Teid või läheduses viibivaid isikuid.
- Ärge rakendage jõudu akukassetti paigaldamisel. Kui kassett ei lähe kergesti sisse, pole see õigesti paigaldatud.

Aku kaitsesüsteem

Tööriist on varustatud aku kaitsesüsteemiga. Süsteem lülitab mootori automaatselt välja, et pikendada aku eluiga.

Tööriist seiskub käitamise ajal automaatselt, kui tööriista ja/või aku kohta kehtivad järgmised tingimused.

- Ülekoormus.
Tööriista kasutatakse viisil, mis põhjustab toitevoolu tugevuse tõusu lubatud kõrgemale.
Sellisel juhul lülitage tööriist välja ja peatage töö, mis põhjustas tööriista ülekoormuse.
Seejärel lülitage tööriist sisse, et see taaskäivitada.
Kui tööriist ei käivitu, siis on aku ülekuumenenud. Sellisel juhul laske akul maha jahtuda enne, kui tööriista uuesti sisse lülitate.
- Madal akupinge.
Aku jääkmahtuvus on liiga väike ja tööriist ei hakka tööle. Sellisel juhul eemaldage aku ja laadige seda.

MÄRKUS:

Ülekuumenemise vastane kaitse töötab ainult koos tähekesega märgiga akukassetiga.

Joon.2

Matriitsi asendi muutmine

Joon.3

Matriitsihoidiku asendit saab 360° võrra muuta. Muutmiseks toimige järgmiselt.

1. Lõdvendage kaasasoleva mutrivõtme abil fiksaatormutter.
2. Tõmmake kergelt matriitsihoidikut ja keerake see tööks soovitud asendisse.
3. Pingutage fiksaatormutter, et fikseerida matriitsihoidik soovitud asendisse.

Võimalikke asendeid on neli, kõik 90° vahega: 0°, 90° vasakule ja paremale ning 180°. Matriitsi seadmiseks ühte neist asenditest:

4. Lõdvendage kaasasoleva mutrivõtme abil fiksaatormutter.
5. Tõmmake ja vajutage kergelt matriitsihoidikut, keerates selle soovitud asendisse. Matriitsihoidik lukustub soovikohaselt ühte neist asenditest.
6. Keerake matriitsihoidikut veidi veendumaks, et see on kohale fikseerunud.
7. Keerake fiksaatormutter matriitsihoidiku fikseerimiseks kinni.

Lubatud lõikepaksus

Joon.4

Lõigatava materjali paksus sõltub materjali tõmbetugevust. Matriitsihoidikul olev soon toimib paksusmõõdikuna, hoides lubatud lõikepaksust. Ärge üritage lõigata materjale, mis sellesse soonde ei mahu.

Lõikejoon

Matriitsihoidikus olev sälk näitab lõikejoont. Selle laius on lõikelaiusega võrdne. Seadke sälk lõikamisel kohakuti töödeldaval pinnal oleva lõikejoonega.

Lüliti funktsioneerimine

Joon.5

△HOIATUS:

- Enne tööriista vooluvõrku ühendamist kontrollige alati, kas liugurlüliti funktsioneerib nõuetekohaselt ja liigub liugurlüliti tagumise osa vajutamisel tagasi väljalülitatud asendisse.
- Pikemaajalisel kasutamisel saab lüliti operaatori mugavuse huvides lukustada sisselülitatud asendisse. Tööriista lukustamisel sisselülitatud asendisse olge ettevaatlik ja hoidke tööriista kindlas haardes.

Tööriista sisselülitamiseks libistage liugurlüliti asendi "I (ON)" suunas. Pidevaks töötamiseks vajutage lüliti lukustamiseks liugurlüliti esiosale.

Tööriista seiskamiseks vajutage liugurlüliti tagaosale, seejärel libistage seda asendi "O (OFF)" suunas.

Mitmefunktsiooniline märgutuli

Joon.6

Märgutuled paiknevad kahes kohas.

- **Akukasseti vahetamise signaal**
 - Kui aku võimsus on töötamise ajal peaaegu ära tarvitatud, süttib punane märgutuli ja tööriist seiskub kohe. Kui punane märgutuli süttib, asendage aku täielikult laetud akuga.
- **Juhukäivituse vältimise funktsioon**
 - Isegi kui akukassett sisestatakse tööriista ajal, mil liugurlüliti on asendis „I“ (sisse lülitatud), ei hakka tööriist tööle. Sellisel juhul vilgub tuli aeglaselt, mis näitab, et juhukäivituse vältimise funktsioon töötab.
 - Tööriista käivitamiseks lükake liugurlüliti kõigepealt asendi „O“ (välja lülitatud) suunas ja seejärel asendi „I“ (sisse lülitatud) suunas.

KOKKUPANEK

△HOIATUS:

- Kandke alati hoolt selle eest, et tööriist oleks enne igasuguseid hooldustöid välja lülitatud ja akukassett eemaldatud.

Kärni ja matriitsi eemaldamine ja paigaldamine

Joon.7

Vahetage kärn ja matriits välja alati korraga. Kärni ja matriitsi eemaldamiseks lõdvendage mutrivõtme abil fiksaatormutrit. Eemaldage matriitsihoidik tööriistast. Keerake kuuskantvõtme abil lahti matriitsi kinni hoidvad poldid. Eemaldage matriits matriitsihoidikust.

Keerake kuuskantvõtme abil lahti kärni kinni hoidev kruvi. Tõmmake kärn kärnihoidikust välja.

Joon.8

Kärni ja matriitsi paigaldamiseks pange kärn kärnihoidikusse, nii et kärnil olev sälk jääb kruvi poole. Pingutage kärni fikseerimiseks kruvi. Paigaldage matriits matriitsihoidikule. Keerake matriitsi fikseerimiseks poldid kinni.

Joon.9

Seejärel paigaldage tööriista külge matriitsihoidik, nii et kärn läheb läbi matriitsihoidikus oleva ava. Keerake fiksaatormutter matriitsihoidiku fikseerimiseks kinni. Pärast kärni ja matriitsi vahetamist määrige neid masinaõliga ja laske tööriistal veidi aega töötada.

Joon.10

TÖÖRIISTA KASUTAMINE

Eelmäärimine

Kandke lõikejoonele masinaõli, et pikendada kärni ja matriitsi tööiga. Eriti tähtis on see alumiiniumi lõikamisel.

Lõikemeetod

Joon.11

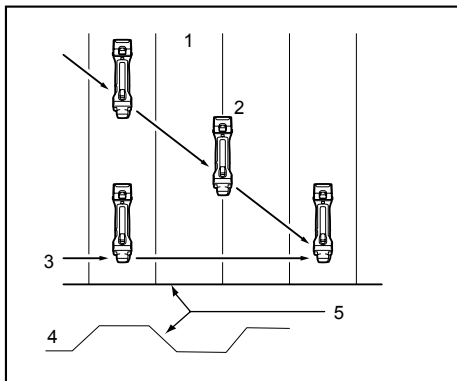
Hoidke tööriista nii, et lõikepea oleks lõigatava pinna suhtes täisnurga all (90°). Liigutage tööriista ettevaatlikult lõikesuunas.

Väljalõiked

Joon.12

Väljalõigete tegemiseks tehakse esmalt ümmargune ava läbimõõduga üle 21 mm, millesse on võimalik sisestada lõikepea.

Profiil- või trapetslehtmatali lõikamine



1. Ülalvaade
2. Lõikamine vagude suhtes nurga all
3. Lõikamine vagudega risti
4. Külgvaade
5. Profiil- või trapetslehtmatali

013280

Profiil- või trapetslehtmatali lõikamisel vagude suhtes nurga all või risti seadke matriits sellisesse asendisse, et see jääks lõikesuunda.

Joon.13

Hoidke tööriista korpust alati vagudega paralleelselt ja lõikepead lõigatava pinna suhtes täisnurga all (90°), nagu näidatud joonisel.

HOOLDUS

△HOIATUS:

- Kandke alati enne kontroll- või hooldustoimingute teostamist hoolt selle eest, et tööriist oleks välja lülitatud ja akukassett korpuse küljest eemaldatud.
- Ärge kunagi kasutage bensiini, vedeldit, alkoholi ega midagi muud sarnast. Selle tulemuseks võib olla lüümine, deformatsioon või pragunemine.

Süsiharjade asendamine

Joon.14

Võtke välja ja kontrollige süsiharju regulaarselt. Asendage süsiharjad uutega, kui need on kulunud piirmäärgini. Hoidke süsiharjad puhtad, nii on neid lihtne oma hoidikusse libistada. Mõlemad süsiharjad tuleb asendada korraga. Kasutage ainult identseid süsiharju. Torgake tööriistal olevasse sälku lapikkruvikeeraja ots ja eemaldage hoidiku kaane kate, tõstes selle üles.

Joon.15

Kasutage harjahoidikute kaante eemaldamiseks kruvikeerajat. Võtke ära kulunud süsiharjad välja, paigaldage uued ning kinnitage harjahoidikute kaaned tagasi oma kohale.

Joon.16

Pange hoidiku kaane kate tagasi tööriista külge. Töote OHUTUSE ja TÖÖKINDLUSE tagamiseks tuleb vajalikud remonttööd, muud hooldus- ja reguleerimistööd lasta teha Makita volitatud teeninduskeskustes. Alati tuleb kasutada Makita varuosi.

VALIKULISED TARVIKUD

△HOIATUS:

- Neid tarvikuid ja lisaseadiseid on soovitatav kasutada koos Makita tööriistaga, mille kasutamist selles kasutusjuhendis kirjeldatakse. Muude tarvikute ja lisaseadiste kasutamisega kaasneb vigastada saamise oht. Kasutage tarvikuid ja lisaseadiseid ainult otstarvetel, milleks need on ette nähtud.

Saate vajadusel kohalikust Makita teeninduskeskusest lisateavet nende tarvikute kohta.

- Matriits
- Kärn
- Kuuskantvõti
- Mutrivõti nr 32
- Makita algupärane aku ja laadija

MÄRKUS:

- Mõned nimekirjas loetletud tarvikud võivad kuuluda standardvarustusse ning need on lisatud tööriista pakendisse. Need võivad riikide lõikes erineda.

РУССКИЙ ЯЗЫК (Оригинальная инструкция)

Объяснения общего плана

1-1. Кнопка	6-1. Индикаторная лампа	10-3. Пробойник
1-2. Красный индикатор	7-1. Держатель вырубной головки	10-4. Держатель вырубной головки
1-3. Блок аккумулятора	7-2. Вырубная головка	13-1. Вид сбоку
2-1. Звездочка	7-3. Болты	13-2. Режущая головка должна быть установлена под прямым углом (90 градусов) к разрезаемой поверхности.
3-1. Держатель вырубной головки	7-4. Шестигранный ключ	14-1. Ограничительная метка
3-2. Контргайка	8-1. Пробойник	15-1. Крышка держателя
3-3. Ослабить	8-2. Держатель пробойника	15-2. Выемка
3-4. Гаечный ключ	8-3. Винт	15-3. Отвертка
4-1. Ограничитель глубины резки нержавеющей стали: 1,2 мм (3/64")	8-4. Шестигранный ключ	16-1. Колпачок держателя щетки
4-2. Ограничитель глубины резки мягкой стали: 1,6 мм (1/16")	8-5. Ослабить	16-2. Отвертка
4-3. Выемка	8-6. Затянуть	
5-1. Ползунковый переключатель	9-1. Пробойник	
	9-2. Выемка	
	10-1. Болты	
	10-2. Вырубная головка	

ТЕХНИЧЕСКИЕ ХАРАКТЕРИСТИКИ

Модель		VJN160	VJN161
Макс. Режущие возможности	Сталь максимум до 400 Н/мм ²	1,6 мм / сортament 16	1,6 мм / сортament 16
	Сталь максимум до 600 Н/мм ²	1,2 мм / сортament 18	1,2 мм / сортament 18
	Алюминий максимум до 200 Н/мм ²	2,5 мм / сортament 12	2,5 мм / сортament 12
Мин. радиус резки	Внешняя кромка	50 мм	50 мм
	Внутренняя кромка	45 мм	45 мм
Ходов в минуту (мин ⁻¹)		1 900	1 900
Общая длина		313 мм	313 мм
Вес нетто		2,1 кг	2,2 кг
Номинальное напряжение		14,4 В пост. Тока	18 В пост. Тока

• Благодаря нашей постоянно действующей программе исследований и разработок, указанные здесь технические характеристики могут быть изменены без предварительного уведомления.

• Технические характеристики и аккумуляторный блок могут отличаться в зависимости от страны.

• Масса (с аккумуляторным блоком) в соответствии с процедурой EPTA 01.2003

ENE037-1

Использование по назначению

Данный инструмент предназначен резки листовой стали и листовой нержавеющей стали.

ENG905-1

Шум

Типичный уровень взвешенного звукового давления (A), измеренный в соответствии с EN60745:

Модель VJN160

Уровень звукового давления (L_{pA}): 72 дБ (A)

Погрешность (K): 3 дБ (A)

Уровень шума при выполнении работ может превышать 80 дБ (A).

Модель VJN161

Уровень звукового давления (L_{pA}): 73 дБ (A)

Погрешность (K): 3 дБ (A)

Уровень шума при выполнении работ может превышать 80 дБ (A).

Используйте средства защиты слуха

ENG900-1

Вибрация

Суммарное значение вибрации (сумма векторов по трем осям) определяется по следующим параметрам EN60745:

Модель VJN160

Рабочий режим: резка листового металла

Распространение вибрации (a_h): 7,0 м/с²

Погрешность (K): 1,5 м/с²

Модель VJN161

Рабочий режим: резка листового металла

Распространение вибрации (a_h): 6,5 м/с²

Погрешность (K): 1,5 м/с²

- Заявленное значение распространения вибрации измерено в соответствии со стандартной методикой испытаний и может быть использовано для сравнения инструментов.
- Заявленное значение распространения вибрации можно также использовать для предварительных оценок воздействия.

⚠ ПРЕДУПРЕЖДЕНИЕ:

- Распространение вибрации во время фактического использования электроинструмента может отличаться от заявленного значения в зависимости от способа применения инструмента.
- Обязательно определите меры безопасности для защиты оператора, основанные на оценке воздействия в реальных условиях использования (с учетом всех этапов рабочего цикла, таких как выключение инструмента, работа без нагрузки и включение).

ENH101-16

Только для европейских стран

Декларация о соответствии ЕС

Makita Corporation, являясь ответственным производителем, заявляет, что следующие устройство (-а) Makita:

Обозначение устройства:

Аккумуляторные Высечные Ножницы

Модель/Тип: VJN160, VJN161

являются серийными изделиями и

Соответствует (-ют) следующим директивам ЕС:
2006/42/ЕС

и изготовлены в соответствии со следующими стандартами или нормативными документами:

EN60745

Техническая документация хранится по адресу:

Makita International Europe Ltd.

Technical Department,

Michigan Drive, Tongwell,

Milton Keynes, Bucks MK15 8JD, England

26.4.2012



000230

Tomoyasu Kato

Директор

Makita Corporation

3-11-8, Sumiyoshi-cho,

Anjo, Aichi, 446-8502, JAPAN

Общие рекомендации по технике безопасности для электроинструментов

⚠ ПРЕДУПРЕЖДЕНИЕ Ознакомьтесь со всеми инструкциями и рекомендациями по технике безопасности. Невыполнение инструкций и рекомендаций может привести к поражению электротоком, пожару и/или тяжелым травмам.

Сохраните брошюру с инструкциями и рекомендациями для дальнейшего использования.

GEB028-2

ПРАВИЛА ТЕХНИКИ БЕЗОПАСНОСТИ ПРИ ЭКСПЛУАТАЦИИ ВЫРУБНЫХ НОЖНИЦ

1. Крепко держите инструмент.
2. Прочно закрепляйте обрабатываемую деталь.
3. Руки должны находиться на расстоянии от движущихся деталей.
4. Края детали и стружка острые. Пользуйтесь защитными перчатками. Во избежание травм также настоятельно рекомендуем носить обувь на толстой подошве.
5. Не кладите инструмент на стружку, образовавшуюся при обработке детали, т. к. это может привести к повреждению и порче инструмента.
6. Не оставляйте работающий инструмент без присмотра. Включайте инструмент только тогда, когда он находится в руках.
7. При выполнении работ всегда занимайте устойчивое положение. При использовании инструмента на высоте убедитесь в отсутствии людей внизу.
8. Сразу после окончания работ не прикасайтесь к пробойнику, вырубной головке или детали. Они могут быть очень горячими и вызывать ожоги кожных покровов.
9. Не перерезайте электрические провода. Опасность поражения электрическим током!

СОХРАНИТЕ ДАННЫЕ ИНСТРУКЦИИ.

⚠ ПРЕДУПРЕЖДЕНИЕ:

НЕ ДОПУСКАЙТЕ, чтобы удобство или опыт эксплуатации данного устройства (полученный от многократного использования) доминировали над строгим соблюдением правил техники безопасности при обращении с этим устройством. **НЕПРАВИЛЬНОЕ ИСПОЛЬЗОВАНИЕ** инструмента или несоблюдение правил техники безопасности, указанных в данном руководстве, может привести к тяжелой травме.

ENC007-8

ВАЖНЫЕ ИНСТРУКЦИИ ПО ТЕХНИКЕ БЕЗОПАСНОСТИ

ДЛЯ АККУМУЛЯТОРНОГО БЛОКА

1. Перед использованием аккумуляторного блока прочитайте все инструкции и предупреждающие надписи на (1) зарядном устройстве, (2) аккумуляторном блоке и (3) инструменте, работающем от аккумуляторного блока.
2. Не разбирайте аккумуляторный блок.
3. Если время работы аккумуляторного блока значительно сократилось, немедленно прекратите работу. В противном случае, может возникнуть перегрев блока, что приведет к ожогам и даже к взрыву.
4. В случае попадания электролита в глаза, промойте их обильным количеством чистой воды и немедленно обратитесь к врачу. Это может привести к потере зрения.
5. Не замыкайте контакты аккумуляторного блока между собой:
 - (1) Не прикасайтесь к контактам какими-либо токопроводящими предметами.
 - (2) Не храните аккумуляторный блок в контейнере вместе с другими металлическими предметами, такими как гвозди, монеты и т. п.
 - (3) Не допускайте попадания на аккумуляторный блок воды или дождя. Замыкание контактов аккумуляторного блока между собой может привести к возникновению большого тока, перегреву, возможным ожогам и даже разрыву блока.
6. Не храните инструмент и аккумуляторный блок в местах, где температура может достигать или превышать 50 ° C (122 ° F).
7. Не бросайте аккумуляторный блок в огонь, даже если он сильно поврежден или полностью вышел из строя. Аккумуляторный блок может взорваться под действием огня.

8. Не роняйте и не ударяйте аккумуляторный блок.
9. Не используйте поврежденный аккумуляторный блок.
10. Выполняйте требования местного законодательства относительно утилизации аккумуляторного блока.

СОХРАНИТЕ ДАННЫЕ ИНСТРУКЦИИ.

Советы по обеспечению максимального срока службы аккумуляторного блока

1. Заряжайте аккумуляторный блок до того, как он полностью разрядится. В случае потери мощности при эксплуатации инструмента, прекратите работу и зарядите аккумуляторный блок.
2. Никогда не заряжайте полностью заряженный аккумуляторный блок. Перезарядка сокращает срок службы блока.
3. Заряжайте аккумуляторный блок при комнатной температуре в пределах от 10 ° C до 40 ° C (от 50 ° F до 104 ° F). Перед зарядкой дайте горячему аккумуляторному блоку остыть.
4. Если инструмент не используется в течение длительного времени, заряжайте аккумуляторный блок один раз в шесть месяцев.

ОПИСАНИЕ ФУНКЦИОНИРОВАНИЯ

⚠️ ПРЕДУПРЕЖДЕНИЕ:

- Перед регулировкой или проверкой функционирования всегда отключайте инструмент и вынимайте блок аккумуляторов.

Установка или снятие блока аккумуляторов

Рис.1

⚠️ ПРЕДУПРЕЖДЕНИЕ:

- Обязательно выключайте инструмент перед установкой и извлечением аккумуляторного блока.
- При установке или снятии аккумуляторного блока надежно удерживайте инструмент и аккумуляторный блок. Иначе инструмент или аккумуляторный блок могут выскользнуть из рук, что может привести к травмам или повреждению инструмента и аккумуляторного блока.

Для снятия аккумуляторного блока нажмите кнопку на лицевой стороне и извлеките блок.

Для установки аккумуляторного блока совместите выступ блока с пазом в корпусе и задвиньте его на место. Устанавливайте блок до упора так, чтобы он зафиксировался на месте с небольшим щелчком. Если вы можете видеть красный индикатор на верхней части клавиши, аккумуляторный блок не полностью установлен на месте.

⚠️ ПРЕДУПРЕЖДЕНИЕ:

- Обязательно устанавливайте аккумуляторный блок до конца, чтобы красный индикатор не был виден. В противном случае аккумуляторный блок может выпасть из инструмента и нанести травму вам или другим людям.
- Не прилагайте чрезмерных усилий при установке аккумуляторного блока. Если блок не двигается свободно, значит он вставлен неправильно.

Система защиты аккумулятора

На инструменте предусмотрена система защиты аккумулятора. Она автоматически отключает питание двигателя для продления срока службы аккумулятора.

Инструмент автоматически остановится во время работы при возникновении указанных ниже ситуаций:

- Перегрузка:
Из-за способа эксплуатации инструмент потребляет очень большое количество тока. В этом случае выключите инструмент и прекратите использование, повлекшее

перегрузку инструмента. Затем снова включите инструмент, чтобы возобновить работу.

Если инструмент не включается, значит, перегрелся аккумуляторный блок. В этом случае дайте ему остыть перед повторным включением инструмента.

- Низкое напряжение аккумуляторной батареи:
Уровень оставшегося заряда аккумулятора слишком низкий и инструмент не работает. В этом случае снимите и зарядите аккумуляторный блок.

Примечание:

Защита от перегрева работает только на аккумуляторных блоках со звездочкой.

Рис.2

Изменение положения вырубной головки

Рис.3

Можно изменить положение держателя вырубной головки на 360°. Для этого выполните следующее:

1. Ослабьте стопорную гайку при помощи поставляемого с инструментом гаечного ключа.
2. Слегка потяните держатель вырубной головки и поверните его в необходимое для работы положение.
3. Хорошо затяните стопорную гайку, чтобы зафиксировать держатель вырубной головки в необходимом положении.

Предусмотрено четыре упора-ограничителя на 90° каждый: 0°, 90° влево и вправо и 180°. Для установки вырубной головки в любое из положений упоров-ограничителей:

4. Ослабьте стопорную гайку при помощи поставляемого с инструментом гаечного ключа.
5. Слегка потяните держатель вырубной головки и слегка нажмите на него, одновременно поворачивая его в необходимое для работы положение. Держатель вырубной головки заблокируется на том упоре-ограничителе, который был выбран.
6. Слегка поверните держатель вырубной головки, чтобы удостовериться в том, что она хорошо заблокировалась.
7. Хорошо затяните стопорную гайку, чтобы зафиксировать держатель вырубной головки.

Допустимая толщина резки

Рис.4

Толщина материала, подлежащего резке, зависит от предела прочности на разрыв самого материала. Паз держателя вырубной головки выступает в качестве толщиномера для определения допустимой толщины резки. Не пытайтесь разрезать материал, который не входит в этот паз.

Линия разреза

Паз на на держателе вырубной головки указывает линию разреза. Его ширина равна ширине разреза. При выполнении разреза совместите паз с линией разреза.

Действие выключателя

Рис.5

⚠ ПРЕДУПРЕЖДЕНИЕ:

- Перед установкой блока аккумуляторной батареи в инструмент обязательно убедитесь, что его ползунковый переключатель работает нормально и возвращается в положение "OFF" (ВЫКЛ.) при нажатии на его заднюю часть.
- Переключатель можно заблокировать в положении "ВКЛ" для удобства оператора при продолжительном использовании. Будьте осторожны при блокировке инструмента в положении "ВКЛ" и продолжайте крепко удерживать инструмент.

Для запуска инструмента переведите ползунковый переключатель в положение "I (ВКЛ)". Для непрерывной эксплуатации, нажмите на переднюю часть ползункового переключателя, чтобы заблокировать его.

Для остановки инструмента, нажмите на заднюю часть ползункового переключателя, затем переведите его в положение "O (ВЫКЛ)".

Многофункциональный индикатор

Рис.6

На инструменте установлены две индикаторные лампы.

- **Сигнал о необходимости замены блока аккумуляторной батареи**
 - Если во время эксплуатации заряд аккумулятора подойдет к концу, включится красный индикатор и инструмент немедленно остановится. Если включился красный индикатор, замените аккумулятор на полностью заряженный.
- **Функция блокировки случайного включения**
 - Даже если блок аккумуляторной батареи устанавливается в инструмент с ползунковым переключателем в положении "I (ON)", инструмент не включится. При этом индикаторная лампа будет медленно мигать, указывая на то, что сработала функция блокировки случайного включения.
 - Для включения инструмента сначала подайте ползунковый переключатель в положение "O (OFF)", а затем - снова в положение "I (ON)".

МОНТАЖ

⚠ ПРЕДУПРЕЖДЕНИЕ:

- Перед проведением каких-либо работ с инструментом всегда проверяйте, что инструмент отключен, а блок аккумуляторов снят.

Демонтаж и установка пробойника и вырубной головки

Рис.7

Всегда проводите замену пробойника и вырубной головки, как единого узла. Для демонтажа пробойника и вырубной головки ослабьте стопорную гайку при помощи гаечного ключа. Извлеките держатель вырубной головки из инструмента. Ослабьте болты фиксации вырубной головки при помощи шестигранного ключа. Извлеките вырубную головку из держателя.

Ослабьте болты фиксации пробойника при помощи шестигранного ключа. Извлеките пробойник из держателя.

Рис.8

Для того чтобы установить пробойник и вырубную головку, установите пробойник в держатель так, чтобы паз на лицевой части пробойника был направлен к винту. Затяните болт, чтобы зафиксировать пробойник. Установите вырубную головку в держатель. Затяните болты, чтобы зафиксировать вырубную головку.

Рис.9

Затем установите держатель вырубной головки на инструмент так, чтобы пробойник прошел через отверстие в держателе вырубной головки. Хорошо затяните стопорную гайку, чтобы зафиксировать держатель вырубной головки. После замены пробойника и вырубной головки смажьте их машинным маслом и включите инструмент на некоторое время.

Рис.10

ЭКСПЛУАТАЦИЯ

Предварительная смазка

Нанесите машинное масло на линию разреза, чтобы продлить срок службы пробойника и и вырубной головки. Это особенно важно при резке алюминия.

Способ резки

Рис.11

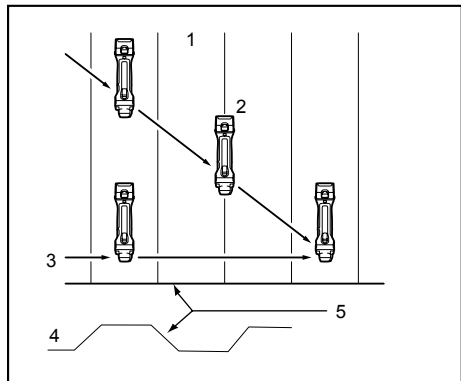
Держите инструмент так, чтобы режущая головка была направлена под прямым углом (90°) к разрезаемой детали. Плавно перемещайте инструмент в направлении резки.

Вырезы

Рис.12

Для того чтобы вырубить профиль, сначала сделайте круглое отверстие диаметром 21 мм, в которое можно вставить вырубную головку.

Резка гофрированного или трапециевидного листового материала



1. Вид сверху
2. Резка под углом к пазам
3. Резка перпендикулярно пазам
4. Вид сбоку
5. Гофрированный или трапециевидный листовой материал

013280

Настройте положение вырубной головки так, чтобы она была направлена в сторону резки либо под углом, либо перпендикулярно пазам гофрированного или трапециевидного листового материала.

Рис.13

Всегда держите корпус инструмента параллельно пазам так, чтобы режущая головка располагалась под прямым углом (90°) к разрезаемой поверхности, как показано на рисунке.

ТЕХОБСЛУЖИВАНИЕ

⚠ ПРЕДУПРЕЖДЕНИЕ:

- Перед проведением проверки или работ по техобслуживанию, всегда проверяйте, что инструмент выключен, а блок аккумуляторов вынут.
- Запрещается использовать бензин, лигроин, растворитель, спирт и т.п. Это может привести к изменению цвета, деформации и появлению трещин.

Замена угольных щеток

Рис.14

Регулярно вынимайте и проверяйте угольные щетки. Заменяйте их, если они изношены до ограничительной отметки. Содержите угольные щетки в чистоте и в свободном для скольжения в держателях положении. При замене необходимо менять обе угольные щетки одновременно. Используйте только одинаковые угольные щетки. Вставьте жало отвертки для круглых гаек со шлицем на торце в паз инструмента и снимите крышку держателя, приподняв ее вверх.

Рис.15

Используйте отвертку для снятия крышек щеткодержателей. Извлеките изношенные угольные щетки, вставьте новые и закрутите крышки щеткодержателей.

Рис.16

Установите крышку держателя обратно на инструмент.

Для обеспечения БЕЗОПАСНОСТИ и НАДЕЖНОСТИ оборудования, ремонт, любое другое техобслуживание или регулировку необходимо производить в уполномоченных сервис-центрах Makita, с использованием только сменных частей производства Makita.

ДОПОЛНИТЕЛЬНЫЕ ПРИНАДЛЕЖНОСТИ

⚠ ПРЕДУПРЕЖДЕНИЕ:

- Эти принадлежности или насадки рекомендуется использовать вместе с вашим инструментом Makita, описанным в данном руководстве. Использование каких-либо других принадлежностей или насадок может представлять опасность получения травм. Используйте принадлежность или насадку только по указанному назначению.

Если вам необходимо содействие в получении дополнительной информации по этим принадлежностям, свяжитесь со своим местным сервис-центром Makita.

- Вырубная головка
- Пробойник
- Шестигранный ключ
- Гаечный ключ на 32
- Оригинальный аккумулятор и зарядное устройство Makita

Примечание:

- Некоторые элементы списка могут входить в комплект инструмента в качестве стандартных приспособлений. Они могут отличаться в зависимости от страны.

Makita Corporation
Anjo, Aichi, Japan

885174A981

www.makita.com