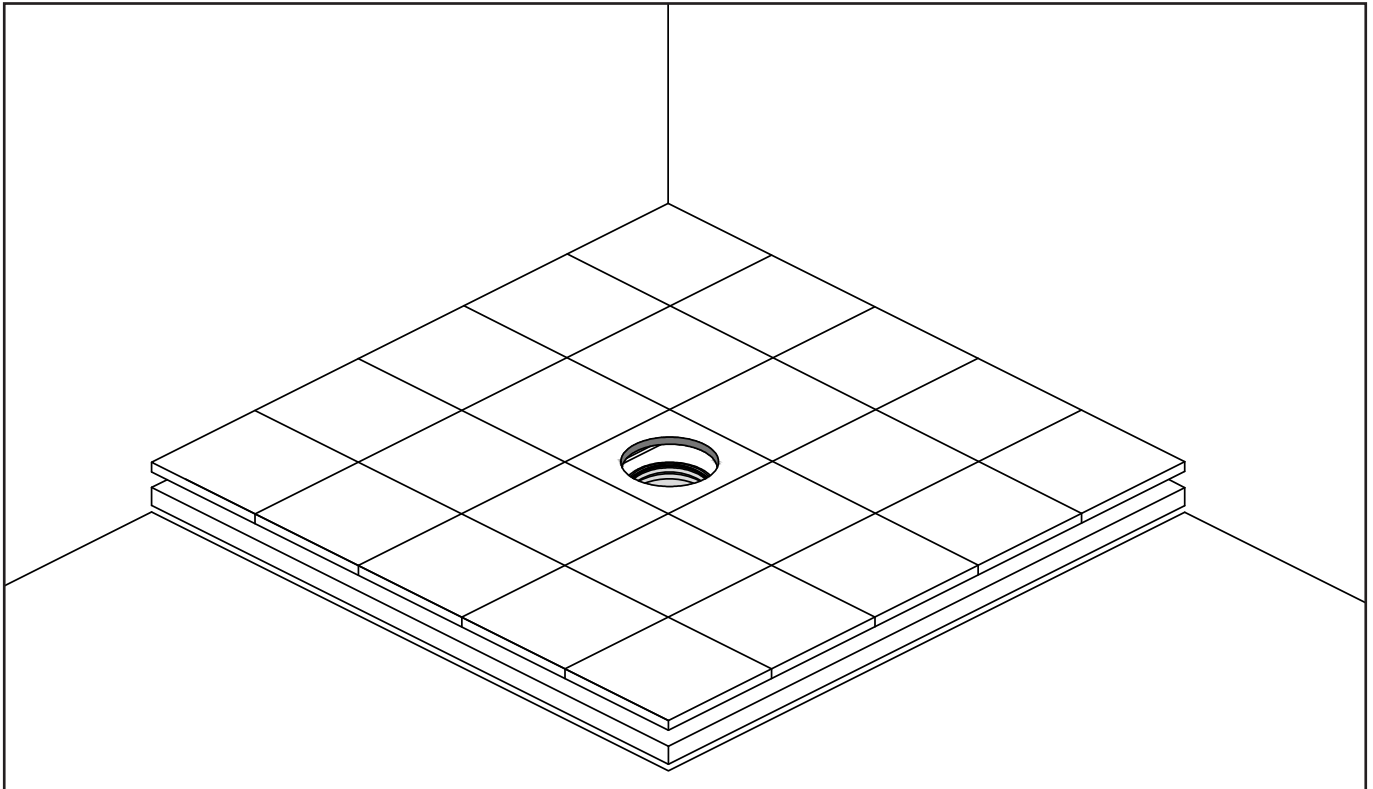


Minimax Two Part Floor Gully Installation Instructions

for tiled and vinyl floors



Minimax Two Part Floor Gully for installation into wooden or concrete floors

Please contact us for further information:

Tel: 0113 2893172
Fax: 0113 2893778
info@purusgroup.com
www.purusgroup.com

Purus Ltd.
Suite 6, Arena Park
Tam Lane, Scarcroft
Leeds
LS17 9BF

Our ongoing product development may lead to changes in execution, design and construction, for which we accept no liability.

MINIMAX TWO PART FLOOR GULLY INSTALLATION INSTRUCTIONS

Minimax Two Part Floor Gully installation instructions

The Minimax Two Part is a floor gully for level-access wetrooms using either vinyl flooring or ceramic tiles. It can be installed either into concrete or with a tray into a joist floor. **If using vinyl flooring, we recommend that you only use vinyl with a maximum thickness of 2mm.**

Important

Read all the pages of these instructions fully and thoroughly before you commence installing and keep them in a safe location for future reference.

CHECK LIST/SAFETY NOTES

If there is any movement or flexing whatsoever on the joists or floorboards, then they need to be made good and solid before installing. To make good, you must add structural supports and/or cross braces to the joists and/or floorboards. If there is still movement after securing, do not fit the product.

Do not apply any primer on the tray as it is a non-porous surface. It is a good tip to prime your walls/plasterboard before you install the tray with Puragum Primer from the tanking kit.

General Advice

Ensure you have all the items required before starting your installation. If you do not have all the contents, do not install. Contact your distributor straight away.

Liability

The Manufacturer will not accept any liability for failure if the Self-Supporting Wetroom Solution has been installed incorrectly and with disregard to the instructions. Always test the waste connection and the whole system for leaks prior to handing the job over to the client.

Plumbing

All plumbing work should be carried out by a fully qualified professional plumber. Use the 42.9 mm (1½ inch) ABS pipe adapter/connector provided for solvent welding and connecting to the 42.9 mm (1½ inch) waste pipe. Do not solvent weld the outlet without the 42.9 mm (1½ inch) ABS pipe adapter/connector provided. If using a mechanical fitting, remove the adapter. Always check the connection for leaks prior to use.

Packaging

Once packaging has been unpacked and used it should always be taken to the nearest local authority waste collection site for recycling. The packaging must not be thrown away with normal household waste.

Safety advice and warnings

If any of the components are damaged or missing, do not install; contact your distributor straight away.

Ensure that any tools used for installation such as saws and drill bits are sharp and fit for purpose. Follow manufacturer's instructions provided with the tools.

Use screws to fix the tray to the joists. When screwing avoid any pipes, electrical cables and all other services.

Do not use power tools on the screws of the Minimax Two Part Gully or Minimax 50.

When not using the Purus Knife, ensure the blade is locked in the safe position.

Remove any skirting boards in the room.

The gully and tray must be installed horizontally.

Check the level of the floorboards prior to installation of the tray. If the floorboards are + or - 5mm this is acceptable. If it is not, do not install.

When using vinyl flooring, the floorboards should be covered with a minimum of 4mm Marine Ply boards according to BS 8203:2001 for vinyl flooring.

When using ceramic tiles, the subfloor must be levelled in accordance to BS5385 for ceramic tiles on floorboards. You can use either Plastic Ply, Marine Ply or appropriate floor grade tile backer board. Please note that Marine Ply should be a minimum of 15mm thick according to BS5385.

Check where all pipes, electrical cables and all other services are prior to drilling, cutting and screwing into walls, ceilings and floors.

Ensure all working and installation areas are kept safe, especially from children and pets. Do not leave tools lying around and keep working and installation areas clean and tidy at all times.

Ensure that all sharp devices such as knives and saws have covers on them at all times. Do not carry knives in pockets.

Safety goggles, masks and gloves should be worn at all times.

Any gaps or holes/damage in the walls and floors must be made good following BS5385 for tiles and BS 8203:2001 for vinyl flooring.

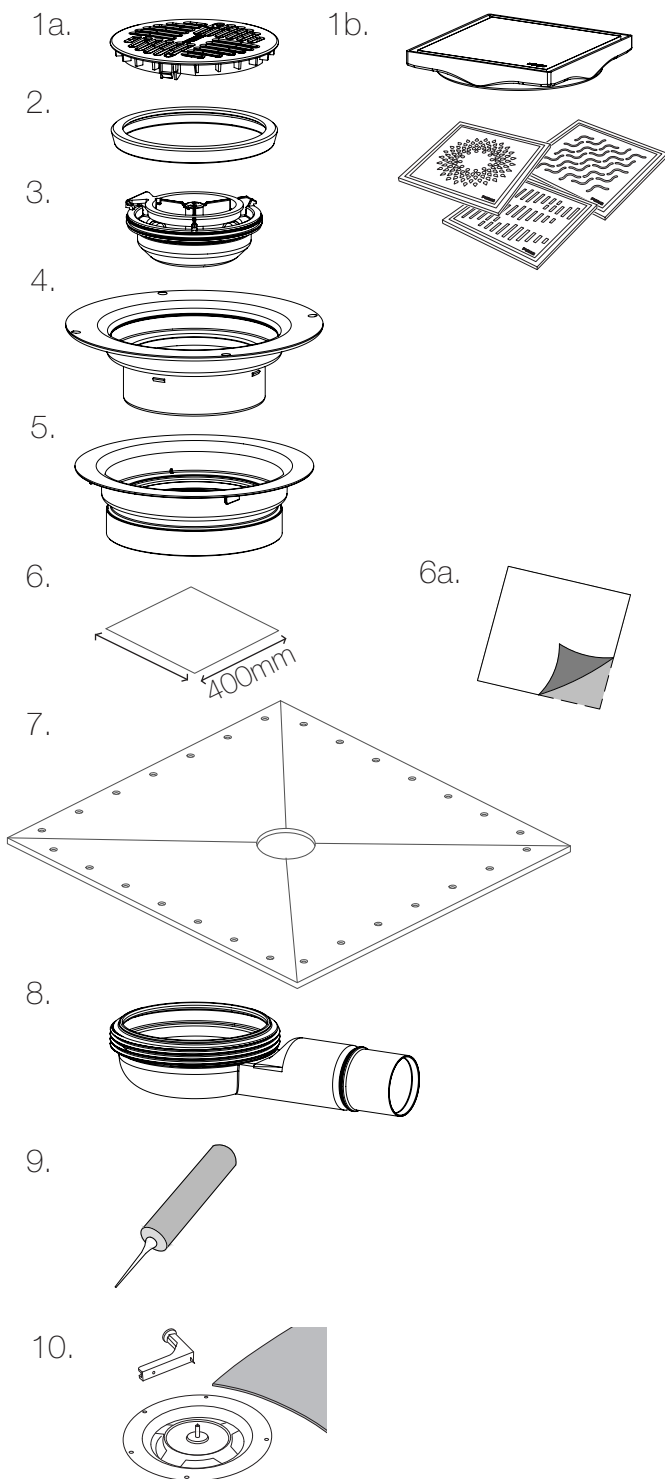
The tanking kit covers 7-8m².

It is extremely important when installing a wetroom that you fully seal/tank the room. *Take your time.* The tanking of the room is the most important part. Check all tapes and gaskets are secure and bonded before tiling. Ensure that you test your room after tiling to ensure the room is fully watertight. Do not use the wetroom/shower room until tests are thoroughly completed.

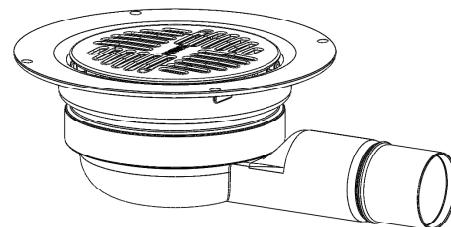
Always check with the Tile Adhesive and Grout manufacturers for their drying times for wetrooms, and ensure you use the minimum drying times advised.

NOTES

MINIMAX TWO PART FLOOR GULLY INSTALLATION INSTRUCTIONS



- 1a. Grate for vinyl installations - comes with the gully (other grates also available)
- 1b. Tile adapter grate and PK155 grates for tile installations - ordered separately
- 2. Clamping ring
- 3. NOOD no-odour water trap
- 4. Gully top section
- 5. Gully middle section
- 6. Purus 400mm x 400mm gasket (for tile installations only) - ordered separately
- 6a. Optional alternative to 6: Purus self-adhesive butyl gasket - ordered separately
- 7. Self-Supporting Wetroom Former Tray (ordered separately)
- 8. Gully bottom section - outlet with 1½" ABS adapter for solvent weld
- 9. MS Polymer - ordered separately
- 10. Purus Knife - ordered separately



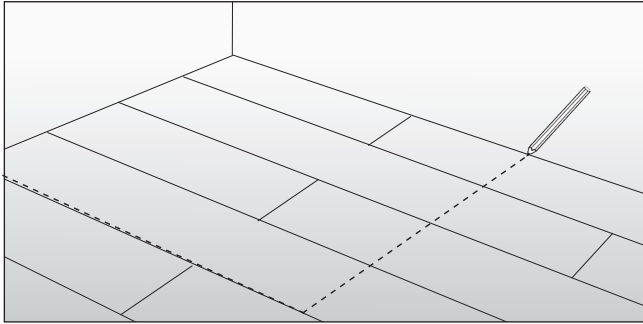
Complete Minimax Two Part Floor Gully

Please note: the Minimax 50 floor gully can be used as an alternative to the Minimax Two Part. Please follow the instructions provided with the Minimax 50.

Please now proceed to page 5 for joist installations or page 11 for concrete installations.

MINIMAX TWO PART FLOOR GULLY INSTALLATION INSTRUCTIONS

into wooden floorboards



Fitting the Self-Supporting Wetroom Former Tray into wooden floorboards

Stage 1

Ensure the walls and floor are free from dirt, protruding nails and objects and that the floor coverings have been removed. Remove all skirting and make good any damage or gaps.

Stage 2

Put the tray in the required position and mark around it using a marker pen. Make sure the gully hole is not positioned directly over a joist. The tray can be cut using an angle grinder with a ceramic/glass cutting disc.

Remove the tray and put to one side.

Tip: if you need to prime the walls, do it now as you must not put Primer on the tray.

Stage 3

Using a circular saw, with a cutting depth set to the depth of the floorboards, cut out a square shape on the floor to match the tray. Ensure that the saw does not cut into the joists.

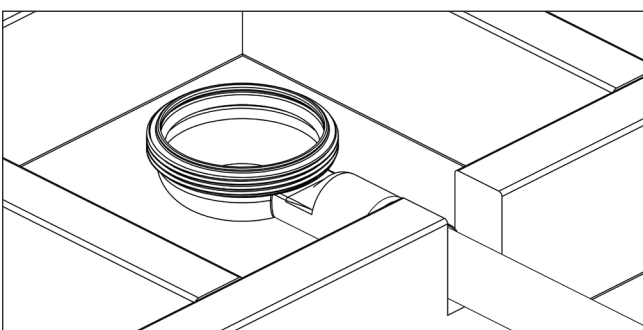
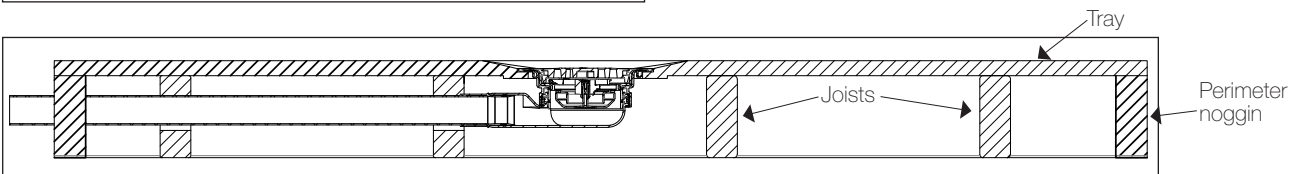
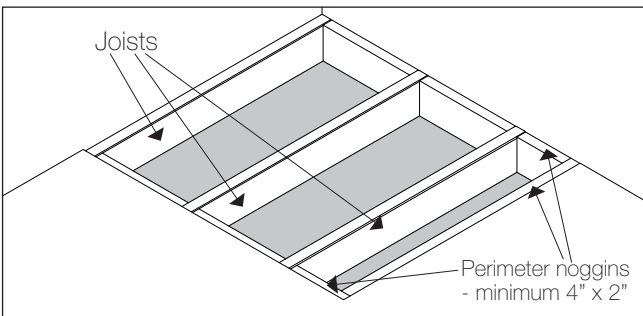
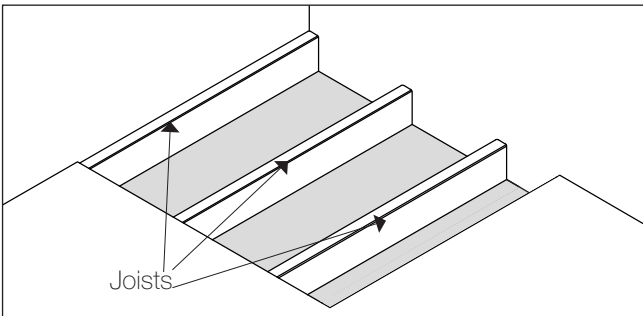
Identify where the bottom part of the Minimax Two Part Gully needs to be located and fix to the waste pipe. Please refer to joist regulations and/or building control before cutting into any joists.

Use a spirit level to check that the joists are level. If not, they must be made level.

Once the joists are level, lay out the tray into position on the floor to check to see if it fits. When it fits, remove the tray.

Stage 4 - Securing the joists

Now install perimeter noggins and support noggins so the whole of the perimeter of the tray is supported and can be screwed down. Use of 4" x 2" timbers should provide adequate support. The former tray has been tested to a load capacity of 470kg over a 1 metre span.



Stage 5 - Connecting the waste pipe to the Minimax Two Part Gully

(Please note: if using the Minimax 50 gully, the waste pipe needs to be fixed so it goes beyond the perimeter of the tray)

Connect the outlet section of the Minimax Two Part Gully to the waste pipe and ensure it is centred underneath the hole of the tray.

Please refer to joist regulations and/or building control before cutting into any joists.

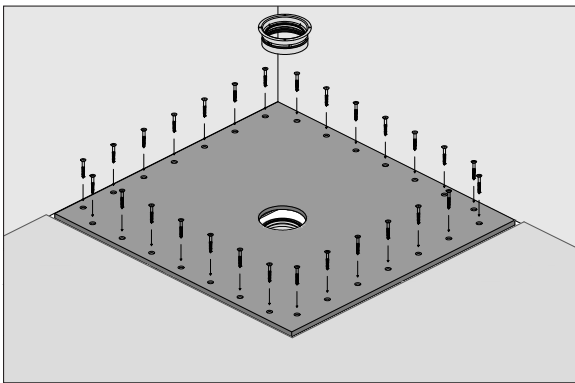
If your waste pipe is an ABS plastic 1½ inch or 42.9mm pipe then you can use the supplied 42.9mm (1½ inch) ABS pipe adapter provided for solvent welding and connecting to the 42.9mm (1½ inch) waste pipe.

The push fit end must be fully inserted into the gully prior to connecting to the waste pipe. The gully adapter can then be solvent welded to the waste pipe by a fully qualified professional plumber. If the waste pipe is not an ABS plastic 1½ inch or 42.9mm pipe then a mechanical fixing connector must be used to connect the gully outlet to the waste pipe by a fully qualified professional plumber. If using a mechanical fitting, remove the adapter.

Once the gully has been connected to the waste pipe, your fully qualified plumber must test for leaks.

MINIMAX TWO PART FLOOR GULLY INSTALLATION INSTRUCTIONS

into wooden floorboards



Stage 6 - Fixing the tray

Place the tray into the area and check that it fits.

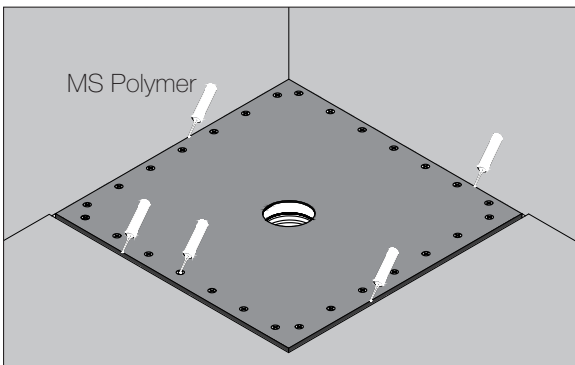
Important: ensure tray waste hole and plumbing are in alignment.

With the unit placed in position, using a masonry drill make pilot holes through the edge of the deck in the countersunk holes to the timber below. Using a slightly wider masonry drill bit, bore a few millimetres into the holes so the screws can be placed into the unit.

Now screw the tray into the perimeter joists/noggins.

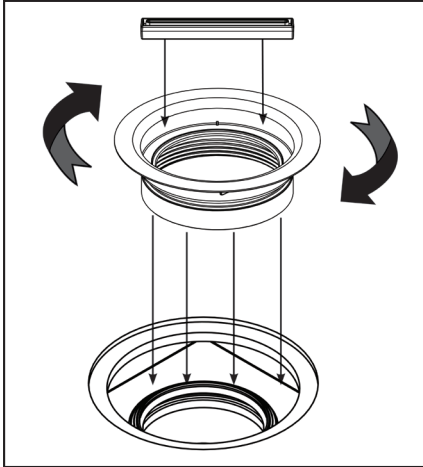
Fill all the countersunk holes with Car Filler or MS Polymer and all around the perimeter of the tray.

Now you can fit the Minimax Two Part Gully into the tray.

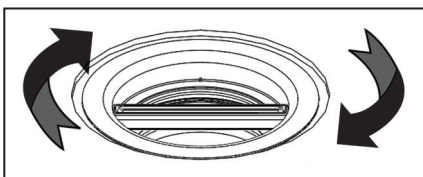


Please note: the Minimax 50 floor gully can be used as an alternative to the Minimax Two Part. The instructions provided below are for the Minimax Two Part, so if using the Minimax 50, please follow the instructions provided with that gully.

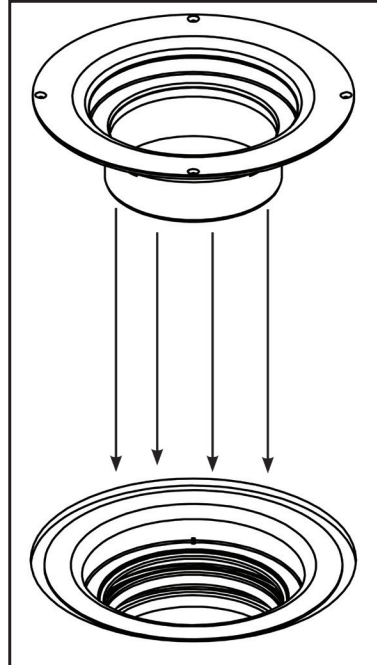
Stage 7 - Fitting the Minimax Two Part Gully into the tray



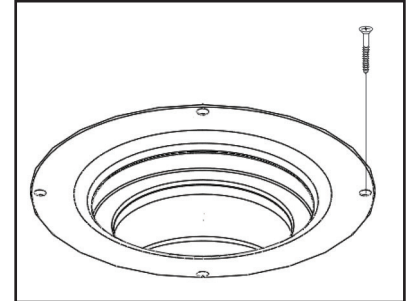
a. Take the gully bottom section with one hand and screw on the middle section, using the installation tool to help you.



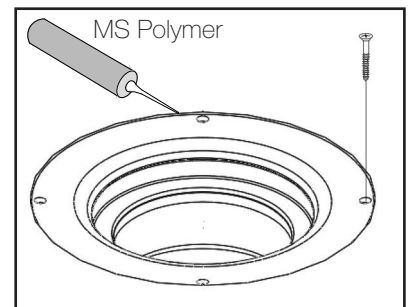
b. Screw down the middle section firmly with the installation tool so that the middle and bottom sections are fully fixed together.



c. Push the top section firmly inside the middle section until they click together. The gasket inside the gully should not be visible when the top section is installed correctly.



d. Screw the top part of the gully onto the Self-Supporting Wetroom Former Tray with appropriately sized screws, screwing into all the countersunk holes provided. **Do not use power tools.**

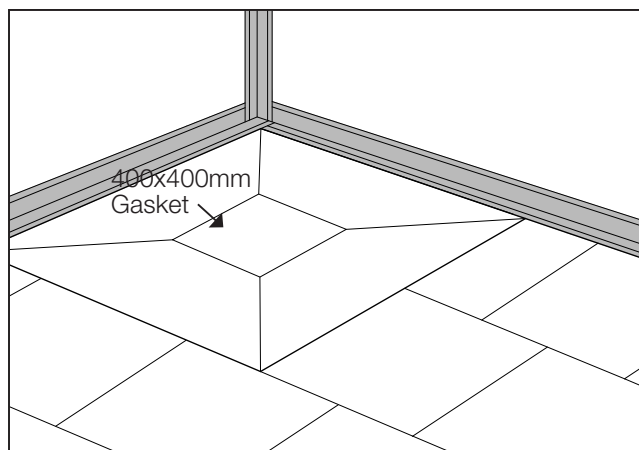


e. Apply MS Polymer all around the perimeter of the Minimax Two Part Gully and smooth down.

Please now proceed to page 7 for tiles or page 9 for vinyl installations.

MINIMAX TWO PART FLOOR GULLY INSTALLATION INSTRUCTIONS

into wooden floorboards using ceramic tiles



For Ceramic Tile Installations

Stage 8 - Levelling the floor

The subfloor must be levelled in accordance to BS5385 for ceramic tiles on floorboards. You can use either Plastic Ply or appropriate floor grade tile backer board.

Always ensure when levelling that the tray is either level or slightly lower than the remaining area, but not so low that you cannot install the tiles.

Stage 9 - Waterproofing

Take the Pura Elastomeric Tape and dry cut to the walls and tray joints. If you have existing walls covered with plaster or plasterboard use Puragum Primer to seal the walls. If the walls are not covered, then clad walls with panels or plaster board (not supplied) and coat with Puragum Primer (follow the instructions provided in the tanking kit).

Allow the Primer to dry fully before applying the Puragum and tapes.

Tip: if you do need to prime the walls, do this before installing the tray.

IMPORTANT: Always ensure you do not apply the Puragum Primer to the tray.

Using a brush or roller apply the Puragum to all wall, floor and tray joints one at a time. Apply the Pura Elastomeric Tapes while the Puragum is still wet, firmly smoothing down the tape as you go so there are no air pockets or ridges left and the tapes are fully adhered. If the Puragum skins over, do not apply the tapes. Reapply the Puragum and apply whilst wet.

Now allow to dry for 3 hours.

Stage 9a - Installing the gasket

Use either the 70004 butyl self-adhesive gasket or the 70001 400x400mm gasket with MS Polymer.

Remove the clamping ring from the Minimax Two Part gully. Place the Purus Knife bottom section in the clamping ring seat within the floor gully.

If using the 70001 400x400mm gasket, this must be fixed by using the MS Polymer whilst still wet and allowed to fully cure. First check that your gasket is the correct size, then place into position making sure it is centred and mark the outer perimeters with a pencil as shown onto the surface below.

Remove the gasket.

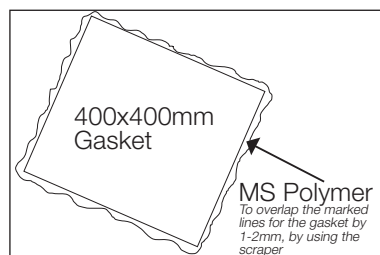
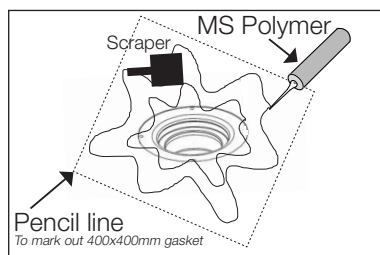
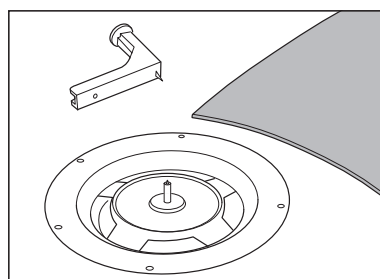
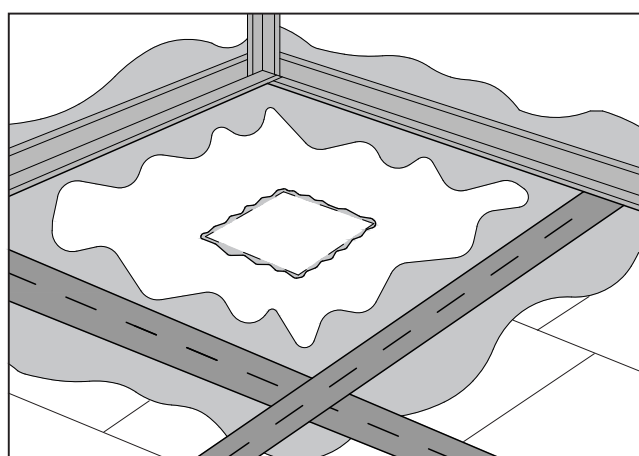
With the MS Polymer, create a zigzag pattern in the marked area and then with a clean flat scraper, smooth the MS Polymer in the entire marked area to a thickness of 1mm to 1½mm and only overlapping the marked lines by 1-2mm. By doing this you will ensure the whole gasket is fixed.

Immediately fix the gasket into position whilst the MS Polymer is still wet and not tacked over. Cut a cross into your gasket so the bottom section of the Purus Knife pushes through it. Then, making sure you are pressing with reasonable amounts of pressure, push out all the creases and air bubbles beneath the gasket. Go over the whole gasket with a clean wide flat scraper pushing it into the MS Polymer. Check there is full adhesion and ensure it is completely fixed. Then allow to dry and cure for a minimum of three hours.

If using the 70004 butyl self-adhesive gasket, firstly check that your gasket is the correct size and mark the position with a pencil, ensuring it is centred over the gully. Carefully peel off the backing layer and then fix the gasket into the centred position. Cut a cross into your gasket so the bottom section of the Purus Knife pushes through it, and then ensure that any creases and air bubbles are pushed out. Check there is full adhesion and ensure it is completely fixed.

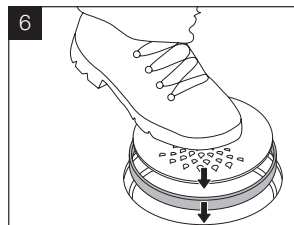
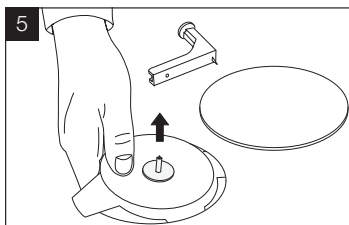
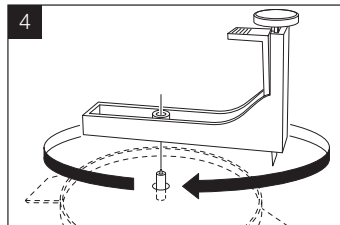
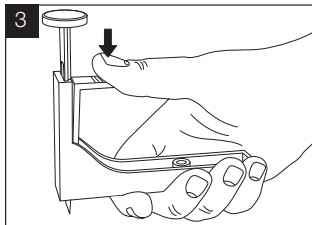
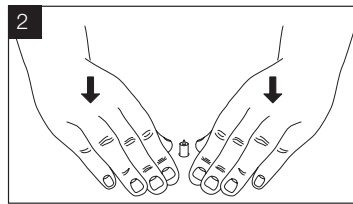
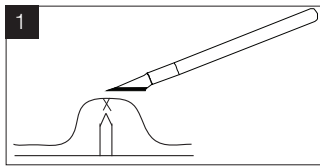
NB: If using the 70001 400x400mm gasket, allow to fully dry for a minimum of 3 hours.

Once the gasket is installed and the 70001 400x400mm gasket (if using) is fully dry and cured, cut the hole in the gasket using the Purus Knife as instructed in Stage 10 and secure with the clamping ring.



MINIMAX TWO PART FLOOR GULLY INSTALLATION INSTRUCTIONS

into wooden floorboards using ceramic tiles



Stage 10 - Fixing the clamping ring

Now secure the fully cured 400x400mm Gasket into the gully with the Purus Clamping Ring using the Purus Knife to help you.

1/2. When installing the gasket in the previous stage, you cut a cross into the gasket so that the spike of the Purus Knife from the bottom section cut through. This cut can now be used to fully fix the clamping ring into place.

3. Apply slight pressure on the arm release knife holder so the blade locks into position.

Note: the Knife is extremely sharp so please take extra care.

4. Place the arm of the Knife on the spike and spin the Knife 360 degrees while cutting.

5. Take out the bottom section of the Purus Knife from the gully.

6. Place the clamping ring with the text facing upwards and press firmly down into the gully until it is fixed. Discard the plastic grate.

7. Ensure the blade of the Knife is put back into the safe position.

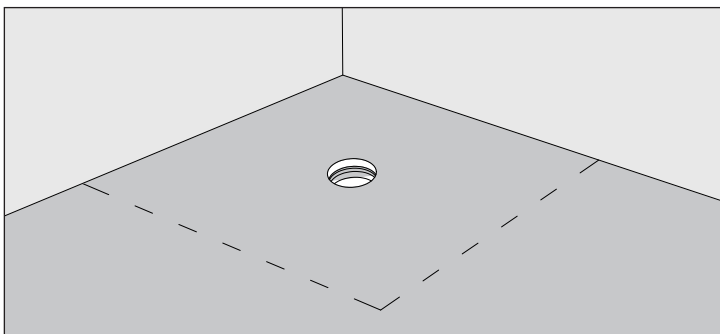
If you need to change the blade of the Purus Knife, pull the holder all the way out of the body.

Spare blade: Stanley 5903 or Purus Species 52582.

Now apply the tanking up to and over the clamping ring.

Cover the whole tray, tapes, gasket, walls and floor with one coat of Puragum and allow to dry for another 3 hours, then apply a second coat of Puragum. Ensure the Puragum covers the whole area, then leave to dry for a minimum of 24 hours before tiling depending on site conditions.

Once the second coat of Puragum has fully cured, check the tapes and gasket are fully secure and sealed before tiling.



Stage 11 - Tiling the floor

Before tiling, ensure that the tanking kit is installed as per the instructions. Ensure that the tapes and membranes are fully secure.

You will need to choose either a Tile Adapter Grate or a PK155 Grate before tiling.

Tile the tray to the desired pattern using flexible EN12004 C2 classified tile adhesive applied using a notched trowel in accordance with the code of practice BS5385.

If using a Tile Adapter grate, fix the plastic part of the grate with MS Polymer. If using the Tile Insert type, fix the tiles with adhesive that fastens to stainless steel.

If using a PK155 or PK200 grate, fix the frame with adhesive that fastens to stainless steel.

Use a small straight edge up against the gully gap so as to prevent the tile adhesive falling into the gully body. If it does, clean it up immediately.

Finally, grout the gaps with flexible, water proof, anti-mould grout, ensuring that no grout falls into the gully body. If it does, clean it up immediately. Allow to dry as per the tile adhesive and grout manufacturer's instructions for wetrooms, not shower rooms.

The grate when installed must be horizontal and flat. It also must be level with the ceramic tile surface and not at an angle or on a slope.

Ensure you keep to the minimum drying times, including the drying times of the C2 tile adhesive and grout for wetrooms. Drying times could be longer depending on site conditions.

Always check with the Tile Adhesive and Grout manufacturers for their drying times for wetrooms, and ensure you use the minimum drying times advised.

Once installed and the grout is fully dry, test fully for leaks before using the wetroom.

As an alternative, you can use a modified polymer tile adhesive and epoxy grout for quicker drying times.

MINIMAX TWO PART FLOOR GULLY INSTALLATION INSTRUCTIONS

into wooden floorboards using vinyl

For Vinyl Flooring Installations

Stage 8 - Levelling the floor

For vinyl flooring use Marine Ply to level the rest of the room following BS 8203:2001 for the subfloor for vinyl flooring.

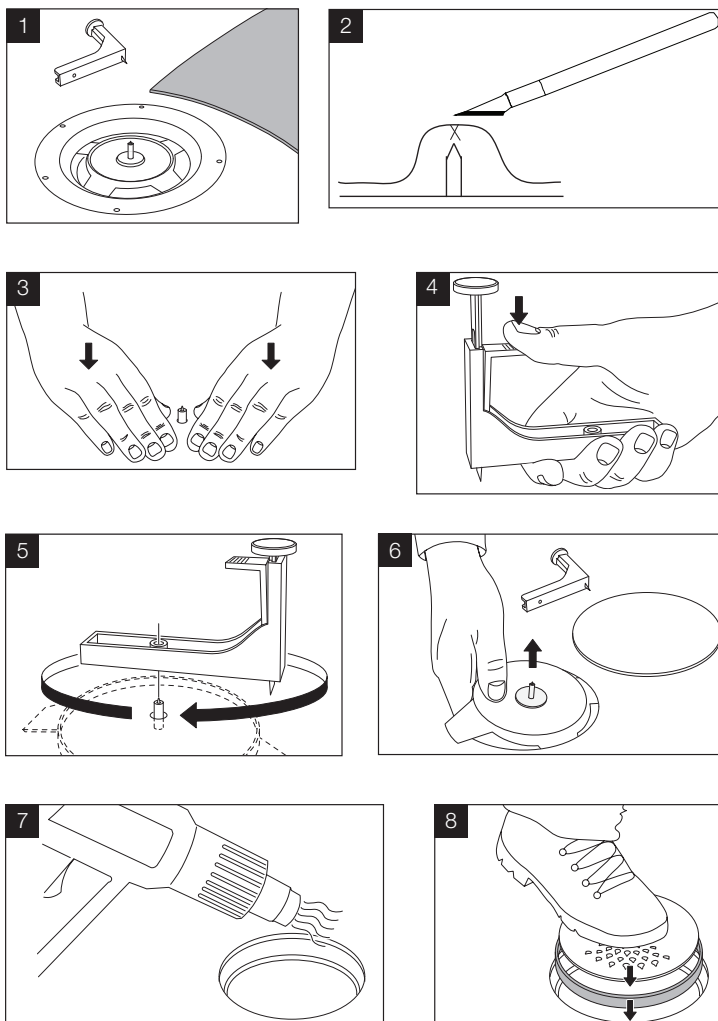
It is best practise to remove old Victorian style floorboards and replace with minimum 18mm Marine Ply floor board grade. Always ensure when levelling that the tray is either level or slightly lower than the remaining area, but not so low that you cannot install the vinyl.

We recommend to only use vinyl flooring with a maximum thickness of 2mm.

IMPORTANT:

Before installing the vinyl flooring, you must fill the tray holes, the perimeter gap and the gap between the Minimax Two Part flange and the tray with car filler or MS Polymer. It is essential that this is done because the vinyl will sag and leave dirt traps.

If installing ceramic tiles on the walls then the tile area must be waterproofed with the Puragum Tanking Kit, following the instructions on page 6. Please also follow the guidelines for installing tiles on page 7.



Stage 9 - Fixing the clamping ring

The vinyl is fitted into the Minimax Two Part gully using the Purus Clamping Ring, with the Purus Knife used as an installation accessory.

1. Remove the clamping ring from the Minimax Two Part gully. Place the Purus Knife bottom section in the clamping ring seat in the floor gully.

Now install your vinyl flooring over the bottom section of the Purus Knife in accordance with BS 8203:2001 for installing vinyl flooring in wetrooms. We suggest that you use Styccobond F84 Two Part Epoxy or similar as your adhesive.

2. Once the adhesive has fully cured, cut a cross into the vinyl flooring so that the spike of the Purus Knife will appear.

3. Press the vinyl flooring down so that the spike on the bottom section cuts through.

4. Apply slight pressure on the arm release knife holder so the blade locks into position.

Note: the Knife is extremely sharp so please take extra care.

5. Place the arm of the Knife on the spike and spin the Knife 360 degrees while cutting.

6. Ensure the blade of the Knife is put back into the safe position.

7. Take out the bottom section of the Purus Knife from the gully.

8. Heat the vinyl flooring. Do not overheat!

9. Place the clamping ring with the text facing upwards and, using the plastic grate, press firmly down into the gully until it is fixed.

If you need to change the blade of the Purus Knife, pull the holder all the way out of the body.

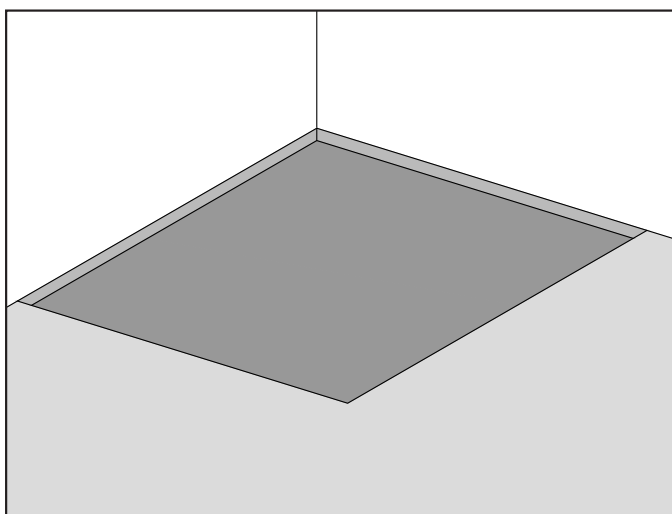
Spare blade: Stanley 5903 or Purus Species 52582.

Once installed and the grout on the walls is fully dry, test fully for leaks before using the wetroom.

NOTES

MINIMAX TWO PART FLOOR GULLY INSTALLATION INSTRUCTIONS

into concrete



Fitting the Self-Supporting Wetroom Former Tray into concrete

Stage 1

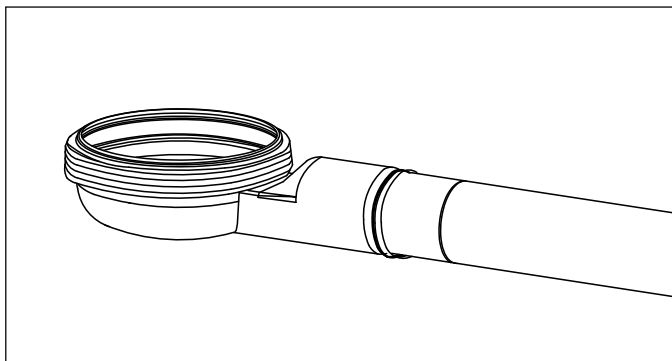
Ensure the floor levels of the concrete floor are such that the water from the shower will not run to the walls or the door of the room where the tray is not. The showering room should have falls built into the subfloor so that all the water runs towards the drain.

The minimum for this should be 1:150 to ensure the flow of water to the floor trap and no more than 1:50 to reduce the risk of slipping. A nominal 2% falls is usually used.

Tip: if you need to prime the walls and/or concrete floors, do it now as you must not put Primer on the tray.

Stage 2

Cut a hole in the concrete to accommodate the waste pipes, the installed gully and tray.



Stage 3 - Connecting the waste pipes to the Minimax Two Part Gully

Please note: if using the Minimax 50 gully, the waste pipe needs to be fixed so it goes beyond the perimeter of the tray)

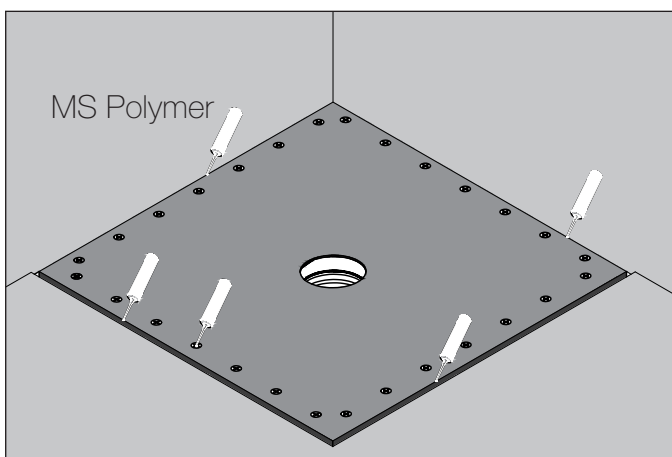
Identify where the Minimax Two Part Gully needs to be located and fix to the waste pipe.

If your waste pipe is an ABS plastic 1½ inch or 42.9mm pipe then you can use the supplied 42.9mm (1½ inch) ABS pipe adapter provided for solvent welding and connecting to the 42.9mm (1½ inch) waste pipe.

The push fit end must be fully inserted into the gully prior to connecting to the waste pipe. The gully adapter can then be solvent welded to the waste pipe by a fully qualified professional plumber. If the waste pipe is not an ABS plastic 1½ inch or 42.9mm pipe then a mechanical fixing connector must be used to connect the gully outlet to the waste pipe by a fully qualified professional plumber. If using a mechanical fitting, remove the adapter.

Once the gully has been connected to the waste pipe, your fully qualified plumber must test for leaks.

It is really important that no screed or concrete goes into the gully, trap or outlet. If it does, clean it out straight away.



Stage 4 - Securing the tray

The Tray must be installed using a flexible EN12004 C2 classified tile adhesive ensuring the Tray is flat and level.

Fill all the countersunk holes with MS Polymer and all around the perimeter of the tray.

Important: ensure the tile adhesive is fully set before proceeding.

Ensure your DPM below the concrete is not broken during any of this process.

Ensure you avoid damaging any pipework, cables or services.

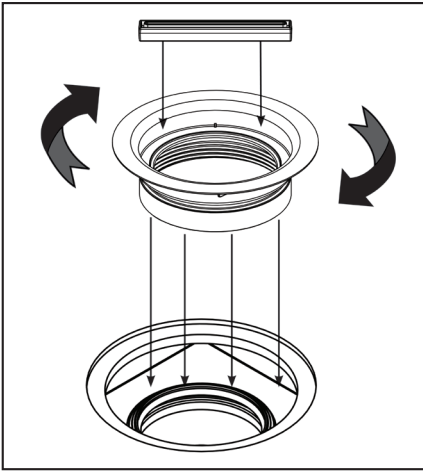
Now you can fit the Minimax Two Part Gully into the tray.

Please note: the Minimax 50 floor gully can be used as an alternative to the Minimax Two Part. The instructions provided on page 10 are for the Minimax Two Part, so if using the Minimax 50, please follow the instructions provided with that gully.

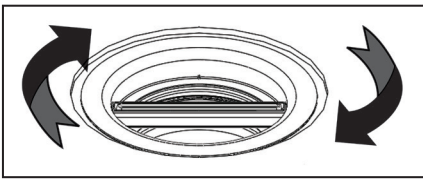
MINIMAX TWO PART FLOOR GULLY INSTALLATION INSTRUCTIONS

into concrete

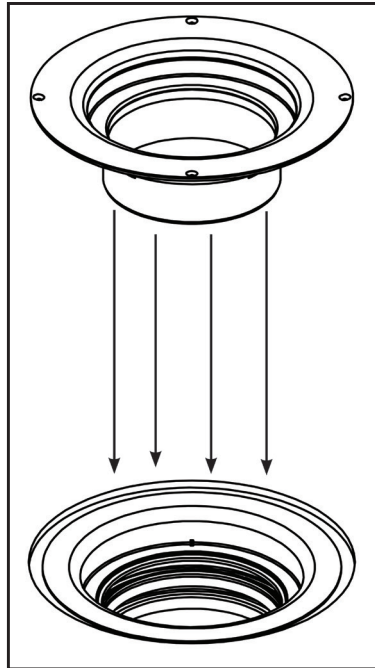
Stage 5 - Fitting the Minimax Two Part Gully into the tray



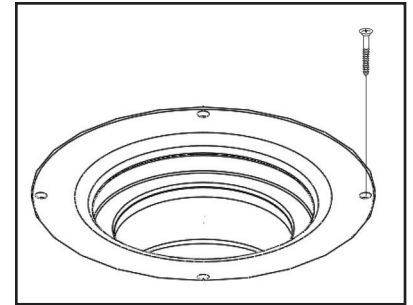
a. Take the gully bottom section with one hand and screw on the middle section, using the installation tool to help you.



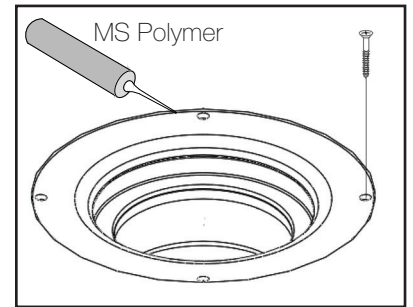
b. Screw down the middle section firmly with the installation tool so that the middle and bottom sections are fully fixed together.



c. Push the top section firmly inside the middle section until they click together. The gasket inside the gully should not be visible when the top section is installed correctly.



d. Screw the top part of the gully onto the Self-Supporting Wetroom Former Tray with appropriately sized screws, screwing into all the countersunk holes provided. **Do not use power tools.**

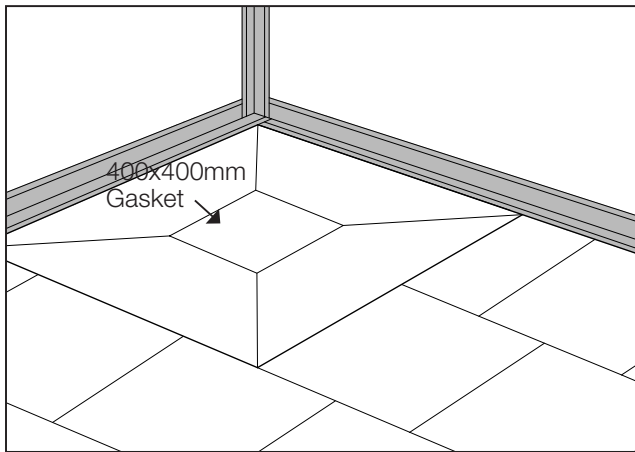


e. Apply MS Polymer all around the perimeter of the Minimax Two Part Gully and smooth down.

Please now proceed to page 13 for tiles or page 15 for vinyl installations.

MINIMAX TWO PART FLOOR GULLY INSTALLATION INSTRUCTIONS

into concrete using ceramic tiles



For Ceramic Tile Installations

IMPORTANT:

Before installing the ceramic tiles, you must fill the tray holes, the perimeter gap and the gap between the Minimax Two Part flange and the tray with MS Polymer.

Stage 6 - Waterproofing

Take the Pura Elastomeric Tape and dry cut to the walls and tray joints.

If you have existing walls covered with plaster or plasterboard use Puragum Primer to seal the walls. If the walls are not covered, then clad walls with panels or plaster board (not supplied) and coat with Puragum Primer (follow the instructions provided in the tanking kit).

Allow the Primer to dry fully before applying the Puragum and tapes.

Tip: if you do need to prime the walls, do this before installing the tray.

IMPORTANT: Always ensure you do not apply the Puragum Primer to the tray.

Using a brush or roller apply the Puragum to all wall, floor and tray joints one at a time. Apply the Pura Elastomeric Tapes while the Puragum is still wet, firmly smoothing down the tape as you go so there are no air pockets or ridges left and the tapes are fully adhered. If the Puragum skins over, do not apply the tapes. Reapply the Puragum and apply whilst wet.

Now allow to dry for 3 hours.

Stage 6a - Installing the gasket

Use either the 70004 butyl self-adhesive gasket or the 70001 400x400mm gasket with MS Polymer.

Remove the clamping ring from the Minimax Two Part gully. Place the Purus Knife bottom section in the clamping ring seat within the floor gully.

If using the 70001 400x400mm gasket, this must be fixed by using the MS Polymer whilst still wet and allowed to fully cure. First check that your gasket is the correct size, then place into position making sure it is centred and mark the outer perimeters with a pencil as shown onto the surface below.

Remove the gasket.

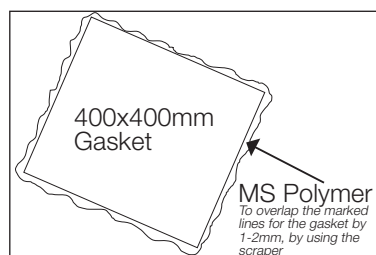
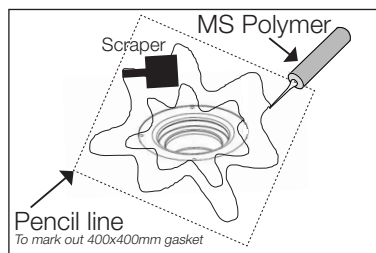
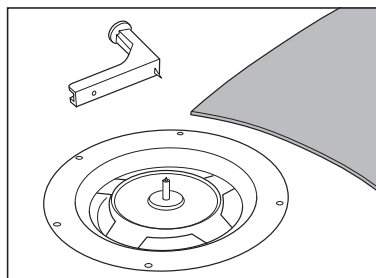
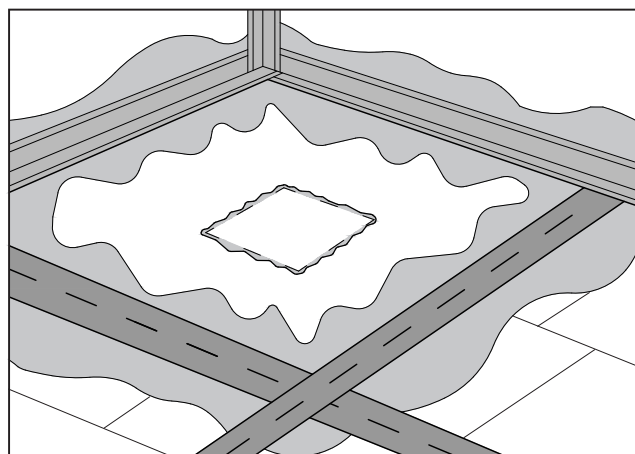
With the MS Polymer, create a zigzag pattern in the marked area and then with a clean flat scraper, smooth the MS Polymer in the entire marked area to a thickness of 1mm to 1½mm and only overlapping the marked lines by 1-2mm. By doing this you will ensure the whole gasket is fixed.

Immediately fix the gasket into position whilst the MS Polymer is still wet and not tacked over. Cut a cross into your gasket so the bottom section of the Purus Knife pushes through it. Then, making sure you are pressing with reasonable amounts of pressure, push out all the creases and air bubbles beneath the gasket. Go over the whole gasket with a clean wide flat scraper pushing it into the MS Polymer. Check there is full adhesion and ensure it is completely fixed. Then allow to dry and cure for a minimum of three hours.

If using the 70004 butyl self-adhesive gasket, firstly check that your gasket is the correct size and mark the position with a pencil, ensuring it is centred over the gully. Carefully peel off the backing layer and then fix the gasket into the centred position. Cut a cross into your gasket so the bottom section of the Purus Knife pushes through it, and then ensure that any creases and air bubbles are pushed out. Check there is full adhesion and ensure it is completely fixed.

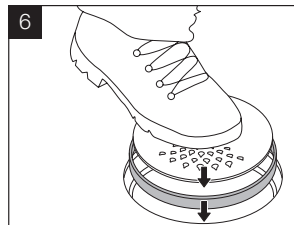
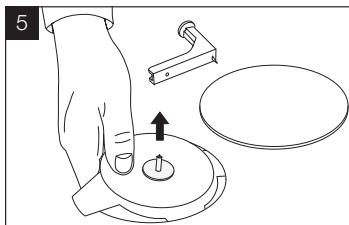
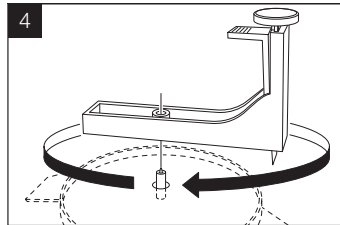
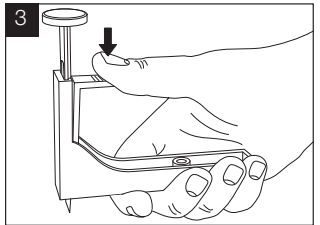
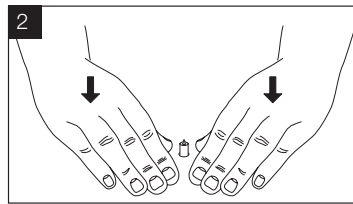
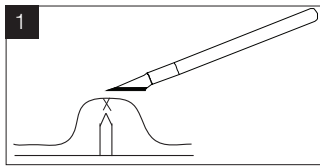
NB: If using the 70001 400x400mm gasket, allow to fully dry for a minimum of 3 hours.

Once the gasket is installed and the 70001 400x400mm gasket (if using) is fully dry and cured, cut the hole in the gasket using the Purus Knife as instructed in Stage 7 and secure with the clamping ring.



MINIMAX TWO PART FLOOR GULLY INSTALLATION INSTRUCTIONS

into concrete using ceramic tiles



Stage 7 - Fixing the clamping ring

Now secure the fully cured 400x400mm Gasket into the gully with the Purus Clamping Ring using the Purus Knife to help you.

1/2. When installing the gasket in the previous stage, you cut a cross into the gasket so that the spike of the Purus Knife from the bottom section cut through. This cut can now be used to fully fix the clamping ring into place.

3. Apply slight pressure on the arm release knife holder so the blade locks into position.

Note: the Knife is extremely sharp so please take extra care.

4. Place the arm of the Knife on the spike and spin the Knife 360 degrees while cutting.

5. Take out the bottom section of the Purus Knife from the gully.

6. Place the clamping ring with the text facing upwards and press firmly down into the gully until it is fixed. Discard the plastic grate.

7. Ensure the blade of the Knife is put back into the safe position.

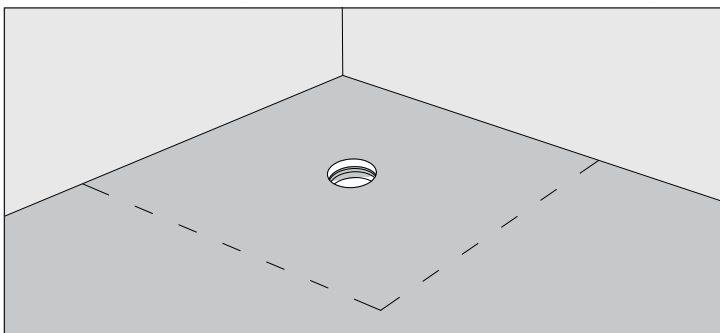
If you need to change the blade of the Purus Knife, pull the holder all the way out of the body.

Spare blade: Stanley 5903 or Purus Species 52582.

Now apply the tanking up to and over the clamping ring.

Cover the whole tray, tapes, gasket, walls and floor with one coat of Puragum and allow to dry for another 3 hours, then apply a second coat of Puragum. Ensure the Puragum covers the whole area, then leave to dry for a minimum of 24 hours before tiling depending on site conditions.

Once the second coat of Puragum has fully cured, check the tapes and gasket are fully secure and sealed before tiling.



Stage 8 - Tiling the floor

Before tiling, ensure that the tanking kit is installed as per the instructions. Ensure that the tapes and membranes are fully secure.

You will need to choose either a Tile Adapter Grate or a PK155 Grate before tiling.

Tile the tray to the desired pattern using flexible EN12004 C2 classified tile adhesive applied using a notched trowel in accordance with the code of practice BS5385.

If using a Tile Adapter grate, fix the plastic part of the grate with MS Polymer. If using the Tile Insert type, fix the tiles with adhesive that fastens to stainless steel.

If using a PK155 or PK200 grate, fix the frame with adhesive that fastens to stainless steel.

Use a small straight edge up against the gully gap so as to prevent the tile adhesive falling into the gully body. If it does, clean it up immediately.

Finally, grout the gaps with flexible, water proof, anti-mould grout, ensuring that no grout falls into the gully body. If it does, clean it up immediately. Allow to dry as per the tile adhesive and grout manufacturer's instructions for wetrooms.

The grate when installed must be horizontal and flat. It also must be level with the ceramic tile surface and not at an angle or on a slope.

Ensure you keep to the minimum drying times, including the drying times of the C2 tile adhesive and grout for wetrooms. Drying times could be longer depending on site conditions.

Always check with the Tile Adhesive and Grout manufacturers for their drying times for wetrooms, and ensure you use the minimum drying times advised.

Once installed and the grout is fully dry, test fully for leaks before using the wetroom.

As an alternative, you can use a modified polymer tile adhesive and epoxy grout for quicker drying times.

MINIMAX TWO PART FLOOR GULLY INSTALLATION INSTRUCTIONS

into concrete
using vinyl

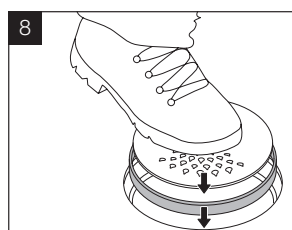
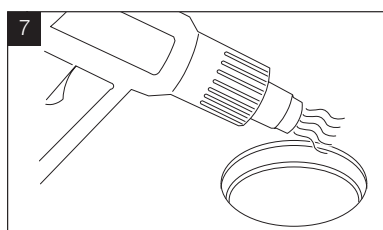
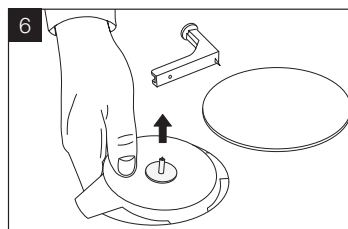
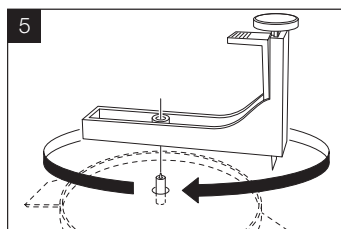
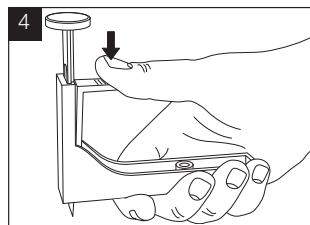
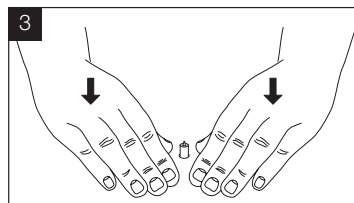
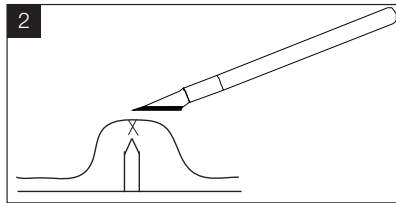
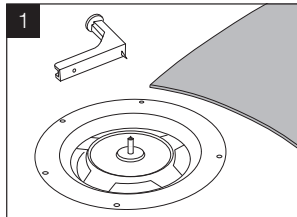
For Vinyl Flooring Installations

Stage 6

IMPORTANT:

Before installing the vinyl flooring, you must fill the tray holes, the perimeter gap and the gap between the Minimax Two Part flange and the tray with car filler or MS Polymer. It is essential that this is done because the vinyl will sag and leave dirt traps. We recommend to only use vinyl flooring with a maximum thickness of 2mm.

If installing ceramic tiles on the walls then the tile area must be waterproofed with the Puragum Tanking Kit, following the instructions on page 11. Please also follow the guidelines for installing tiles on page 12.



Stage 7 - Fixing the clamping ring

The vinyl is fitted into the Minimax Two Part gully using the Purus Clamping Ring, with the Purus Knife used as an installation accessory.

1. Remove the clamping ring from the Minimax Two Part gully. Place the Purus Knife bottom section in the clamping ring seat in the floor gully.

Now install your vinyl flooring over the bottom section of the Purus Knife in accordance with BS 8203:2001 for installing vinyl flooring in wetrooms. We suggest that you use Stycobond F84 Two Part Epoxy or similar as your adhesive.

2. Once the adhesive has fully cured, cut a cross into the vinyl flooring so that the spike of the Purus Knife will appear.

3. Press the vinyl flooring down so that the spike on the bottom section cuts through.

4. Apply slight pressure on the arm release knife holder so the blade locks into position.

Note: the Knife is extremely sharp so please take extra care.

5. Place the arm of the Knife on the spike and spin the Knife 360 degrees while cutting.

6. Ensure the blade of the Knife is put back into the safe position.

7. Take out the bottom section of the Purus Knife from the gully.

8. Heat the vinyl flooring. Do not overheat!

9. Place the clamping ring with the text facing upwards and, using the plastic grate, press firmly down into the gully until it is fixed.

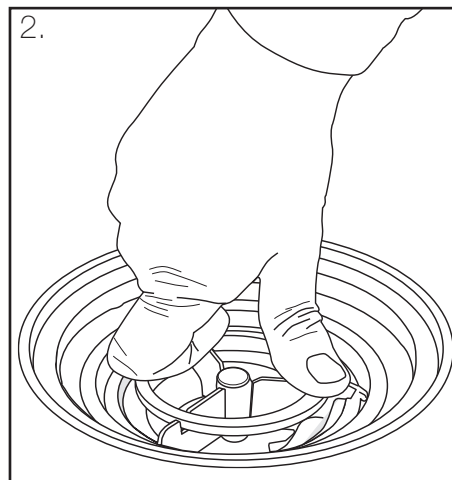
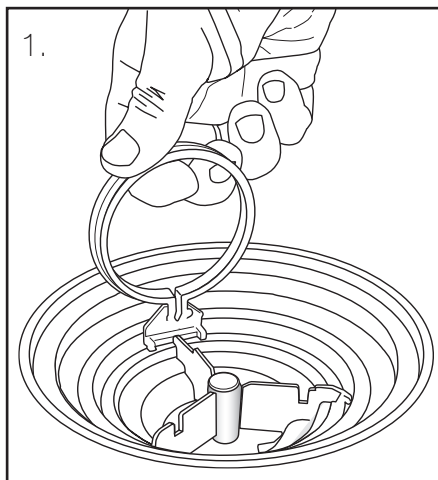
If you need to change the blade of the Purus Knife, pull the holder all the way out of the body.

Spare blade: Stanley 5903 or Purus Species 52582.

Once installed and the grout on the walls is fully dry, test fully for leaks before using the wetroom.

Cleaning and Maintenance

These Cleaning and Maintenance instructions must be handed to the client upon completion.



1. Lift out the NOOD water trap as above.
2. If necessary, rinse the NOOD water trap using water. Hold the NOOD water trap with the spring loaded body fully open whilst rinsed clean.

Use only water and, if required, a small brush to clean the NOOD. It is important that you do not use bleach, bleach-based, caustic cleaning products or hair dye products on or in the NOOD water trap. Remove the NOOD first.

If bleach, deblocker or any other cleaning product is to be used in the pipework, then the NOOD water trap must first be removed and bleach, deblocker or any other cleaning product poured directly into the pipework.

4. Replace the NOOD water trap with two thumbs at each short end.

Make sure the gaskets are completely clean so the NOOD is watertight. Ensure when placed back that the gully is fully inserted so the gasket is watertight using two thumbs at each short end.

If you have a blockage in the waste pipe system, remove the NOOD before rectifying/cleaning.