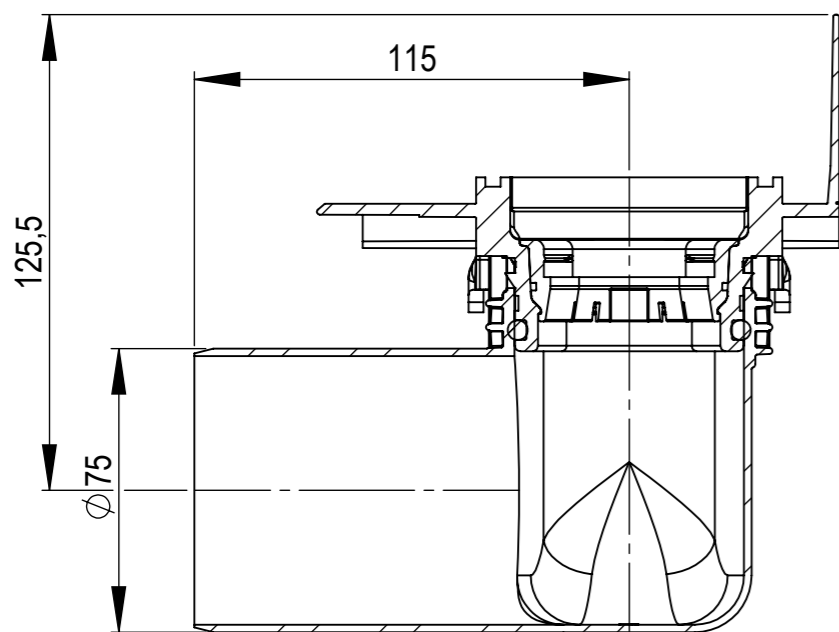
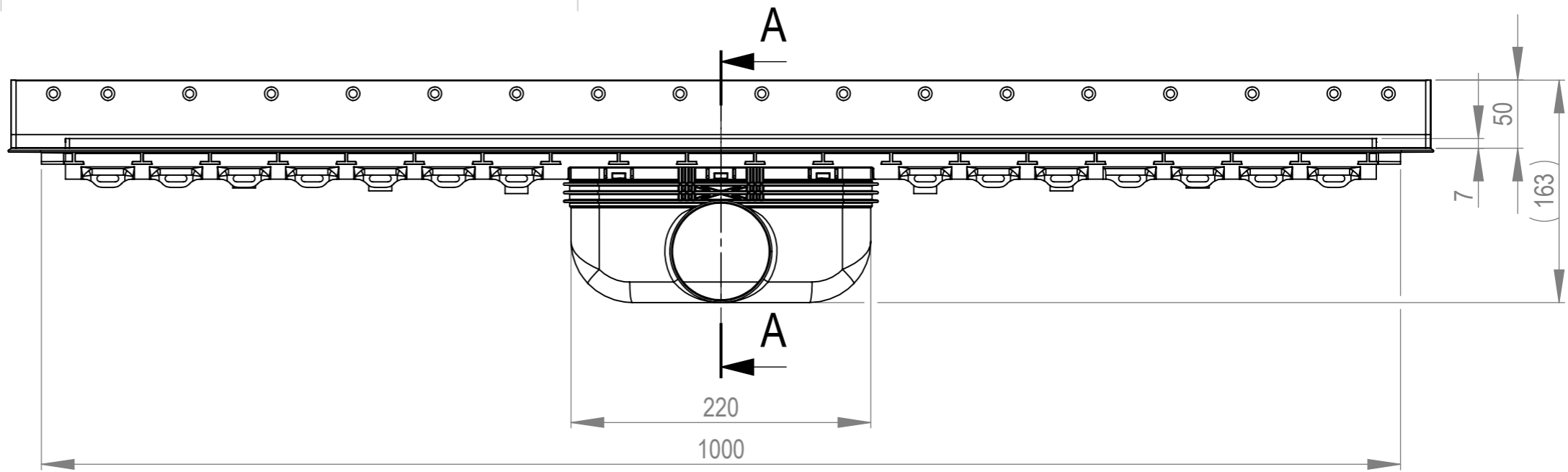
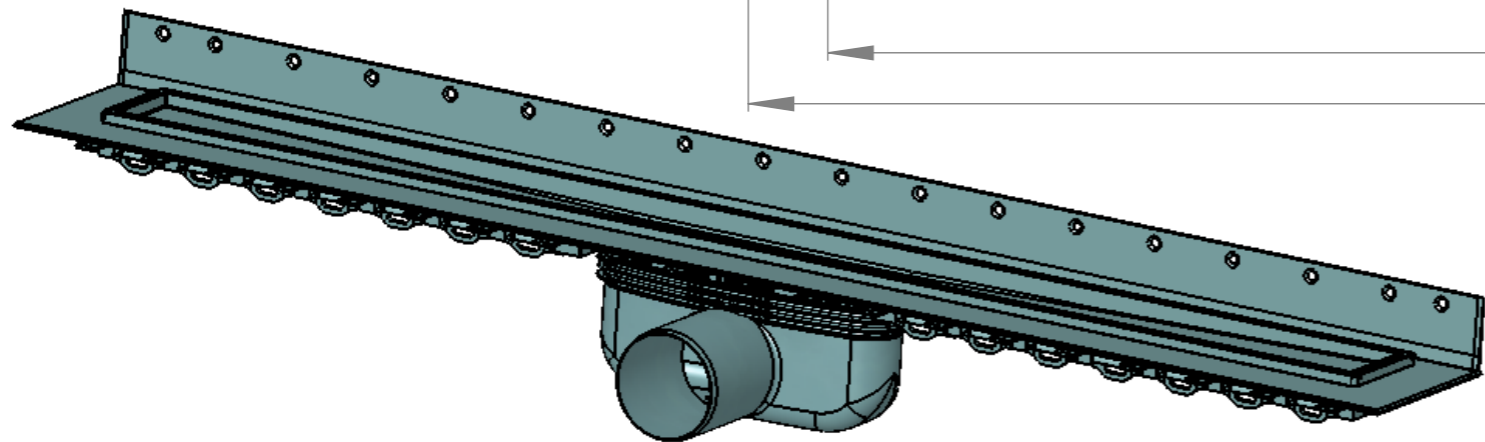
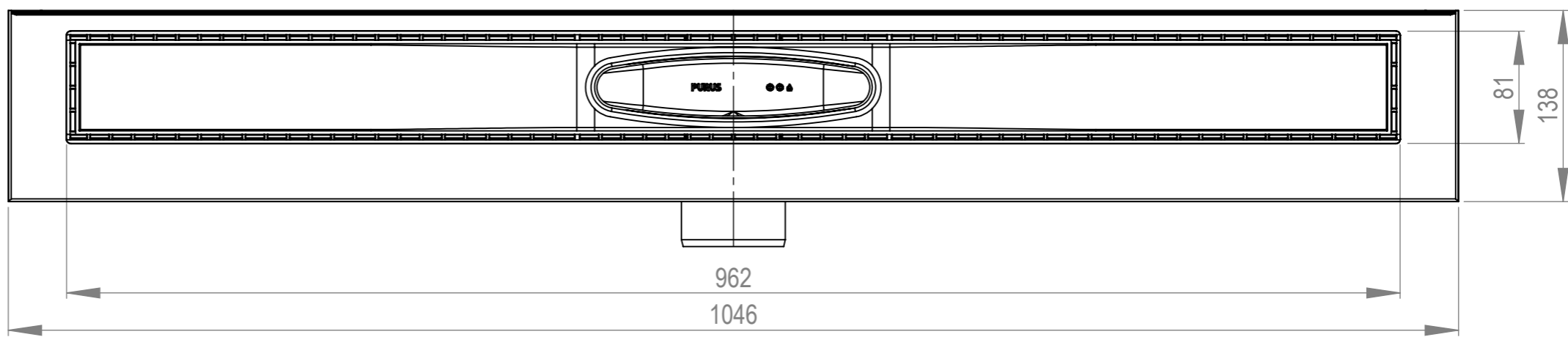


This document must not be copied without our written permission, and the contents thereof must not be imported to a third party nor be used for any unauthorized purpose. Contravention will be prosecuted. Purus AB



A-A (1:2)



Denna handling får ej utan vårt medgivande kopieras. Den får ej heller delgivas annan eller ejlest obehörigen användas. Överträdelse härav beivras med stöd av gällande lag. Purus AB

| | | | | | | | |
|---|-------------------------------------|----------------------|-------------------------------|---------------|--------------|-------------|------|
| Annotation | - | A3 | This drawing replace | Replaced by | Date | | |
| | | | - | - | - | | |
| Purus AB Södergatan 7 SE-275 31 SJÖBO, SWEDEN Ph. +46 41625700 Fax +46 41625720 www.purus.se | Scale | Page | General tolerance. ISO 2768-1 | Weight (gram) | Volume (cm3) | Approved by | Date |
| | 1:4 | 1(1) | medel | - | - | - | - |
| | Material | Surface treatment | | Designer | Created date | | |
| | Sammanställning | - | | SwS | 2016-02-29 | | |
| | Name | Article no | | | Edition | | |
| | Afløbsrende 75/1000 mm, vandret ø75 | 155802-713_måttskiss | | | 2 | | |