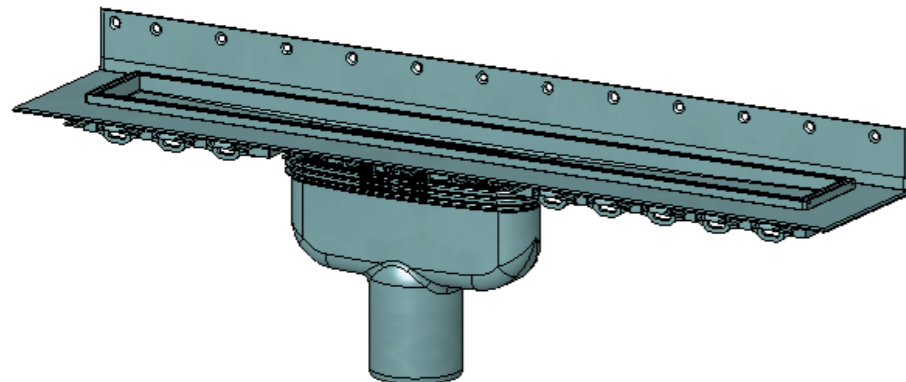
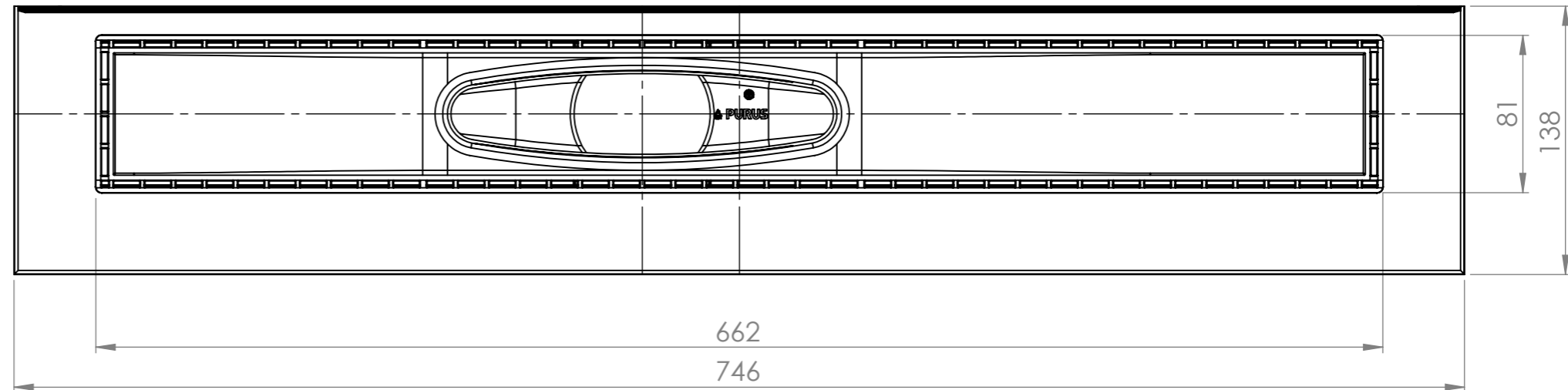
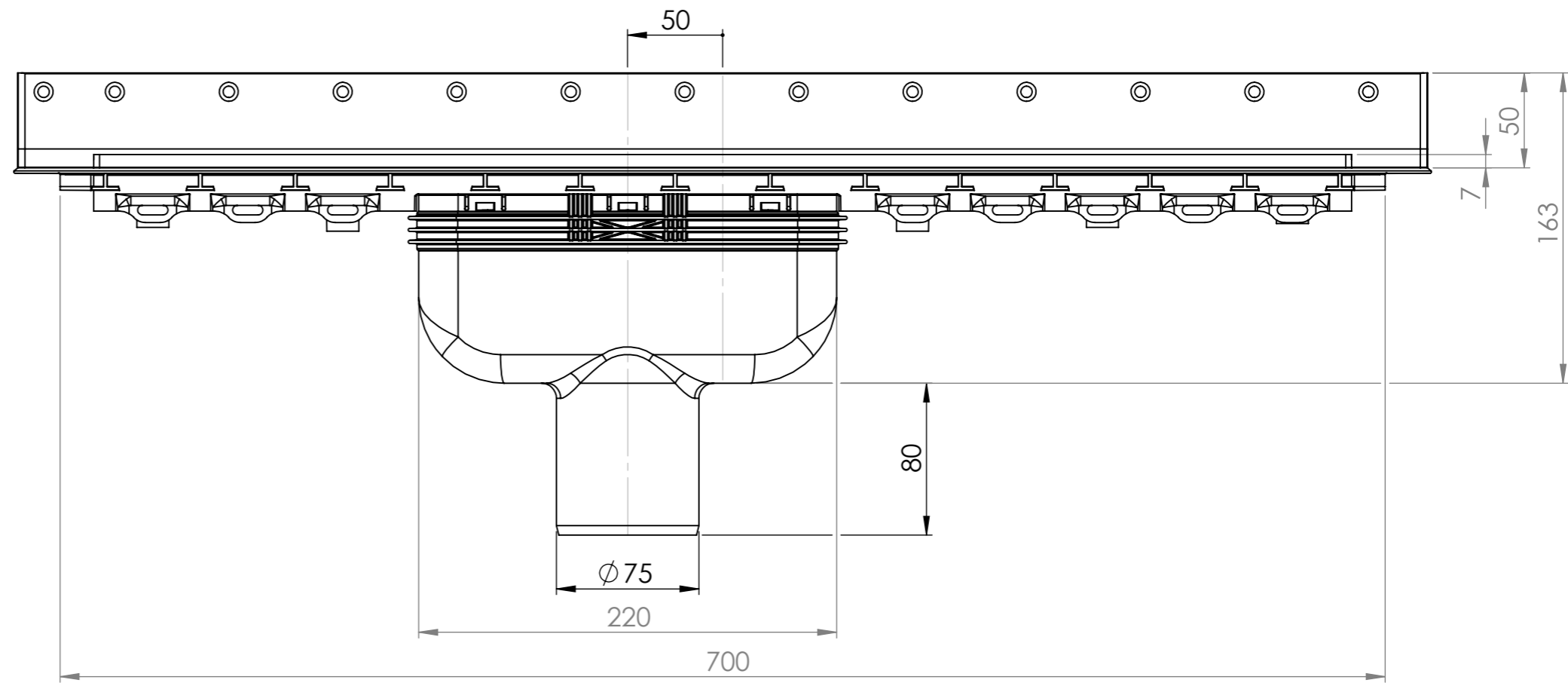
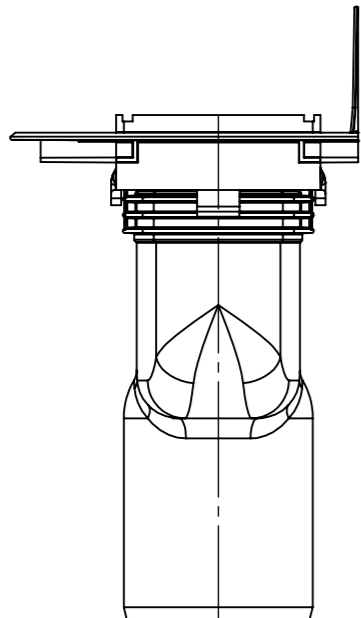


This document must not be copied without our written permission, and the contents thereof must not be imported to a third party nor be used for any unauthorized purpose. Contravention will be prosecuted. Purus AB



Denna handling får ej utan vårt medgivande kopieras. Den får ej heller delgivas annan eller ejlest obehörigen användas. Överträdelse härav beivras med stöd av gällande lag. Purus AB

| | | | | | | | | | | | |
|---|--|-------------------------------|--|------------------------|--|----------------------------|--|----------------------------|--|--------------------------|--|
| Annotation Måttskiss | | Scale 1:3 | | Page 1(1) | | This drawing replace A3 | | Replaced by - | | Date - | |
| | | General tolerance. ISO 2768-1 | | Weight (gram) | | Volume (cm3) | | Approved by - | | Date - | |
| Purus AB Södra Dragongatan 15 SE-271 39 YSTAD, SWEDEN Ph. +46 104144900 Fax +46 104144996 www.purus.se | | Material Sammanställning | | Surface treatment - | | Designer SwS | | Created date 2016-02-26 | | Article no 155803-413 | |
| Name Aflöbsrende 75/700 mm, lodret ø75 | | | | | | | | Edition 2 | | | |