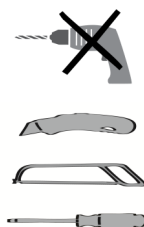
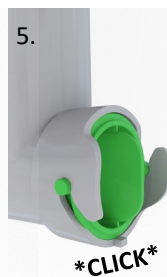
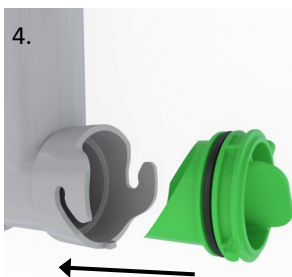
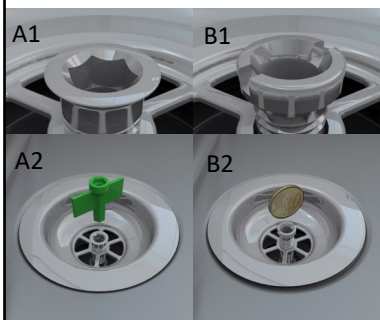
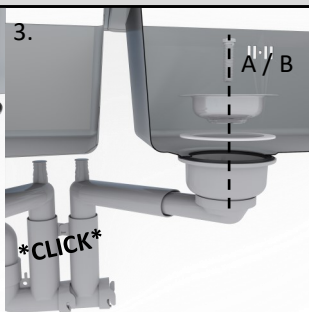
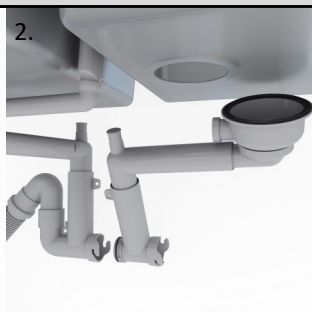
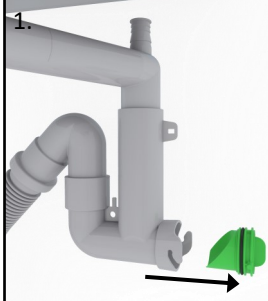


Smartloc extension remote



1.



2. A / B ?

A1



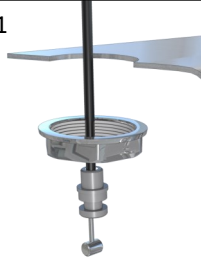
A2



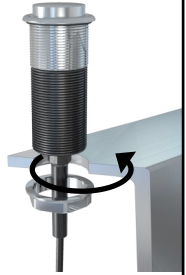
A3



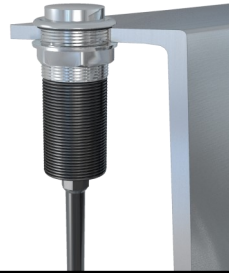
B1



B2

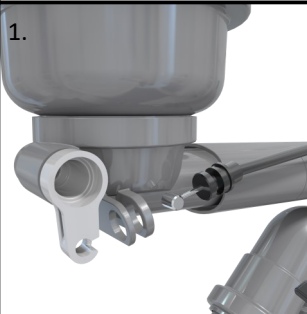


B3

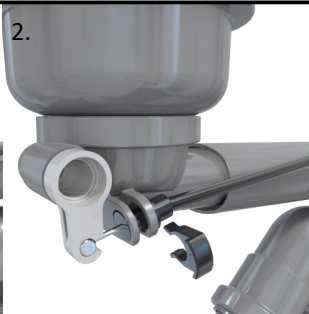


3.

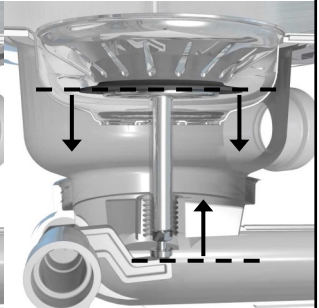
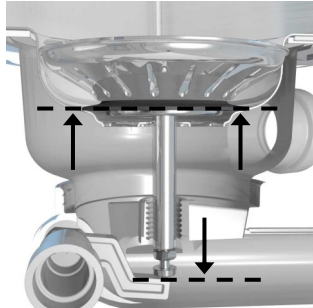
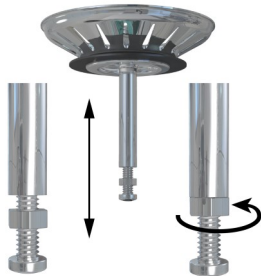
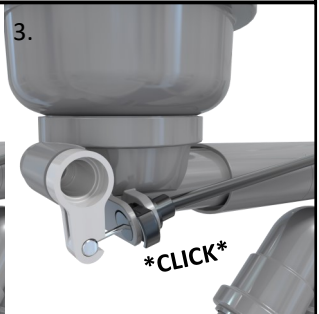
1.



2.



3.



Produced by Prevox

www.prevox.com