

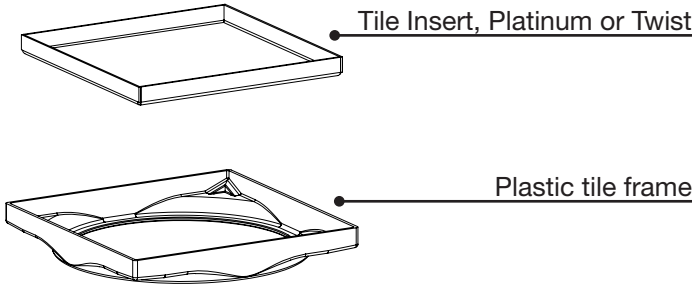
Installation instructions Purus tile adapter grate

Purus tile adapter grate 130x130mm is designed for use with Purus floor gullies with a grate diameter of 130mm. The tile adapter grate is designed to sit into the floor gully with the clamping ring.

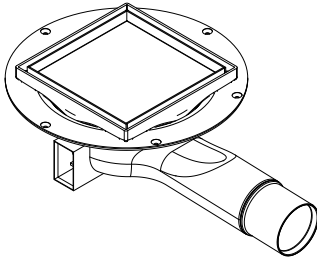
Installation

Ensure that the waterproof membrane is applied according to the waterproof membrane manufacturer's instructions and that the clamping ring is correctly installed before installation begins.

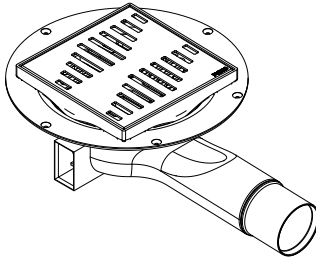
Included

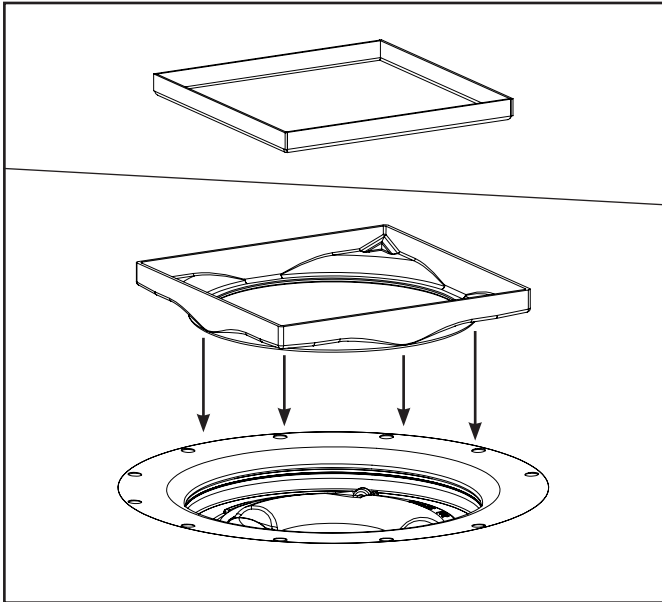


Purus tile adapter frame with Tile Insert grate
with MiniMax 50

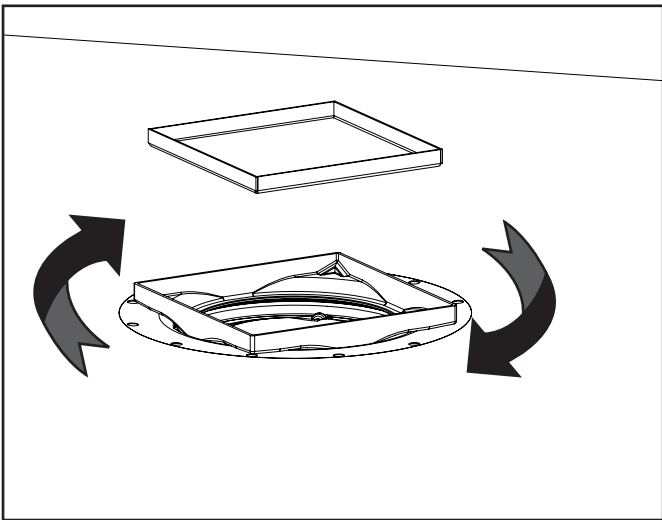


Purus tile adapter frame with Twist grate
with MiniMax 50

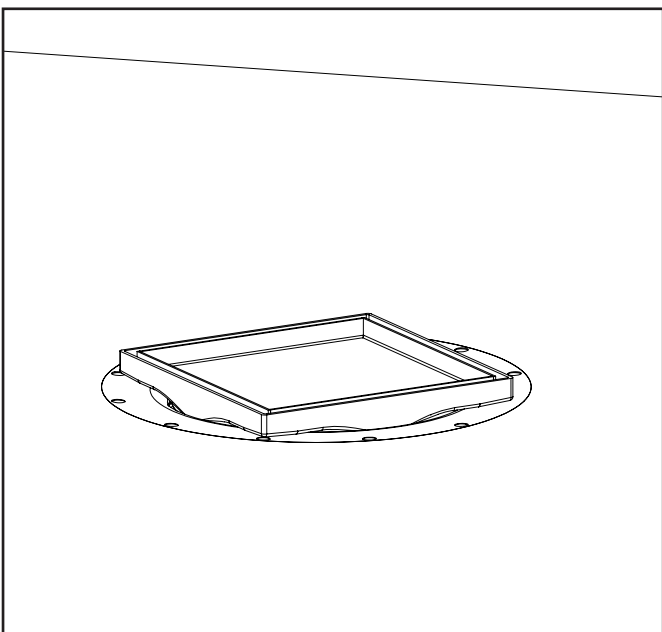




The plastic tile frame must be centred in the floor gully. Apply MS Polymer under the plastic tile frame and fix the tile frame in the gully so that the opening of the frame covers the clamping ring. Make sure that the water trap is removable.



The frame can be rotated to the desired location of the tiles.



Place the Tile Insert, Platinum or Twist grate in its place within the frame.