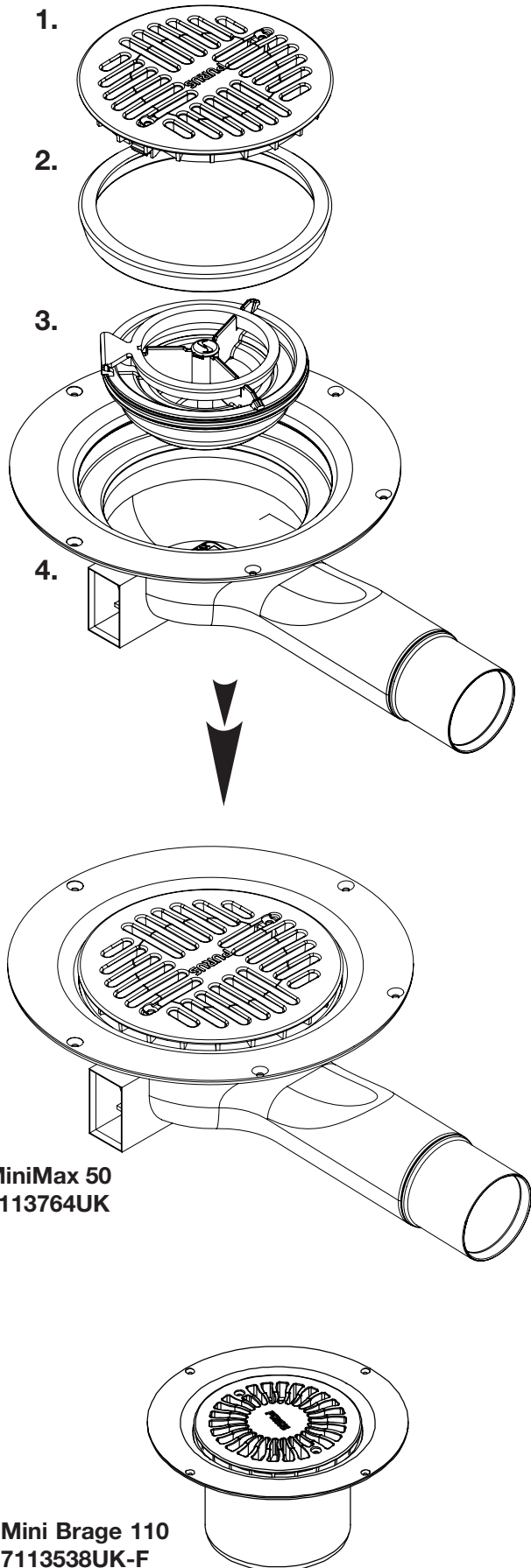


# INSTALLATION INSTRUCTIONS

Purus Mini Series: Minimax 50; Mini Brage 50 & Mini Brage 110



1. Grate for vinyl
2. Clamping ring
3. NOOD water trap
4. Drain body

## Installation

Read these installation instructions carefully before installing the floor gully and keep them in a safe place for future reference. A professional plumber must install all gullies.

To ensure that the floor gully is installed securely with the waterproof membrane and/or vinyl sheet flooring, the floor gully must be installed with the flange at the level of the floor or former tray profile. In addition, the floor gully must be installed in a horizontal/flat position.

If installed in wooden floorboards, the gully must be either screwed or fixed into a former tray or Purus Plate 300 Multi (Prod. code 7133690).

The showering area should have falls built into the subfloor so that the water runs towards the drain. The minimum for this should be 1:150 to ensure the flow of water to the floor gully and no more than 1:50 to reduce the risk of slipping. A nominal 2% falls is usually used.

Do not remove the protective cover or any other part of the floor gully before applying the waterproof membrane and/or vinyl sheet flooring. The protective cover prevents foreign objects such as concrete screed from damaging the mechanics of the gully. The NOOD water trap should remain in the floor gully during the installation process.

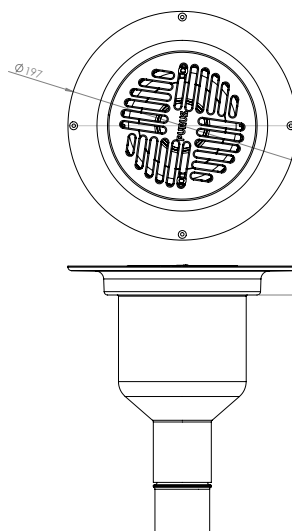
Before applying/laying the waterproof membrane and/or vinyl sheet flooring, carefully read the instructions supplied by the manufacturer of the waterproofing system and/or vinyl sheet flooring.

We recommend only using vinyl flooring with a maximum thickness of **2mm**.

## Liability

The manufacturer will not accept any liability for failure if the floor gully has been installed incorrectly and with disregard to the instructions.

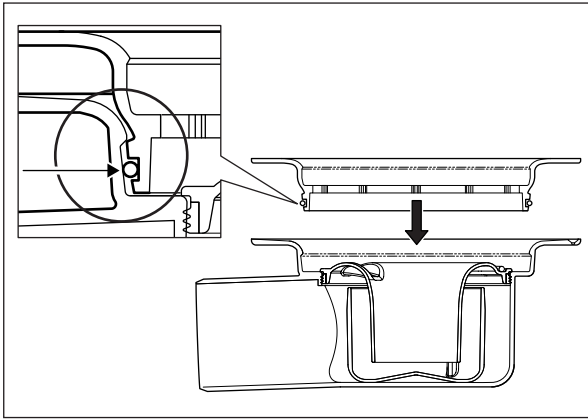
**For more information, please visit [www.purusgroup.com](http://www.purusgroup.com)**



**Mini Brage 50**  
**7113539UK**

Our ongoing product development may lead to changes in execution, design and construction, for which we accept no liability.

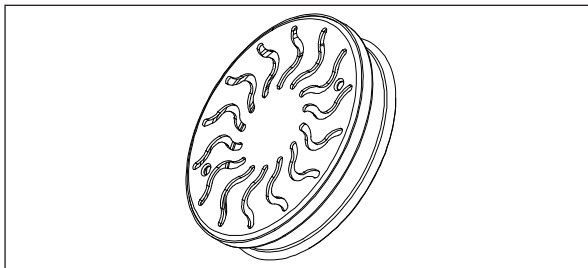
**PURUS**  
[www.purusgroup.com](http://www.purusgroup.com)



### Extension rings

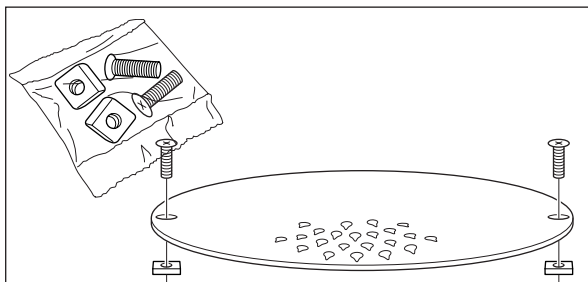
Extension rings are available in heights of 13mm and 25mm.

The extension ring is pressed down into the gully until you hear a click.



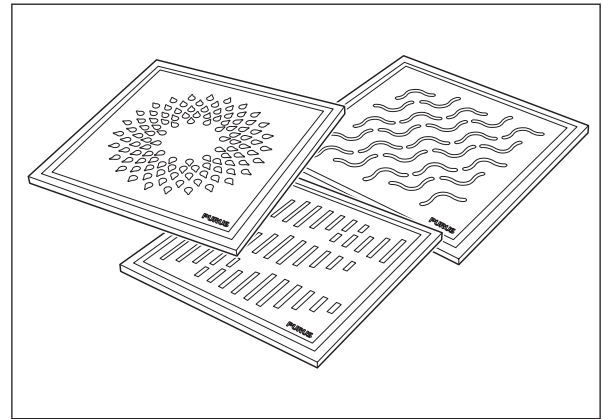
### PM grate for resin/concrete

The PM grate (Prod. code 7138402) can also be used in Purus floor gullies with a diameter of 130mm.



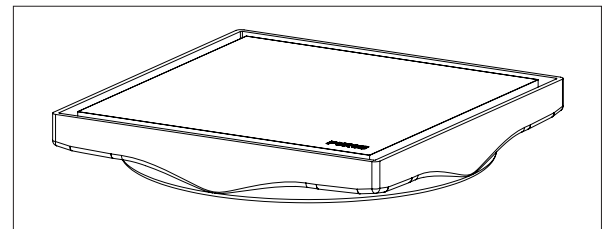
### Locking nuts

The Purus plastic grate and the Purus stainless steel grate, both for vinyl flooring, can be locked into a gully with locking nuts (Prod. codes 7138417 for plastic grates; 7138426 for stainless).



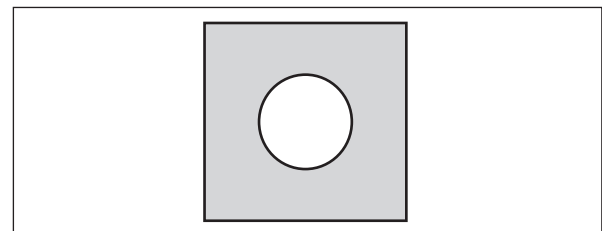
### Purus designer PK gratings

Purus designer PK gratings are made of brushed stainless steel and measure 155mm x 155mm. There are several different pattern designs to choose from.



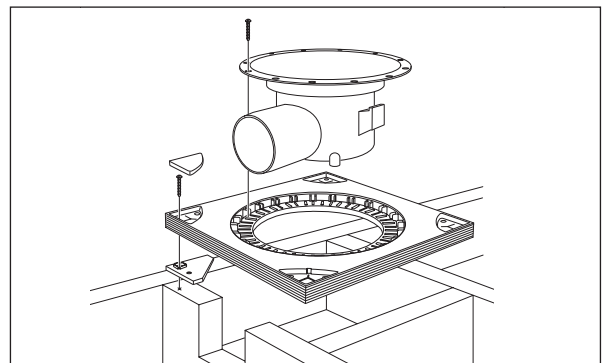
### Purus tile adapter grates

Purus tile adapter grates are made of stainless steel and the adapter is made of ABS plastic. There are several different pattern designs to choose from including a tile insert grate.



### Purus square tile membrane gasket

A 400mm x 400mm fabric membrane for installation with ceramic tiles and tanking kit.

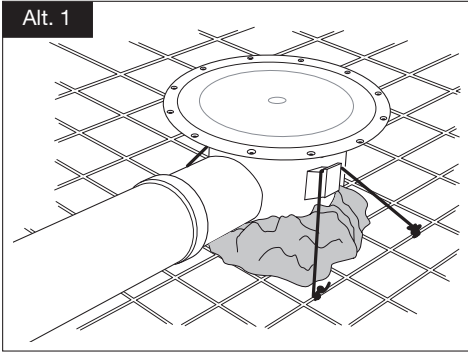


### Purus Plate 300 Multi

An alternative option to a wet room tray former, used for installing the gully into wooden joists.

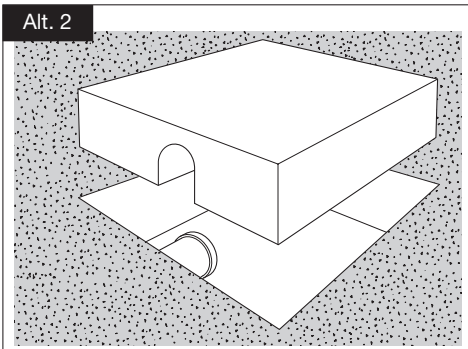
## Installation into concrete floor

Alt. 1



The gully has to be embedded at the same time as the concrete and/or beams. First connect the gully to the waste pipe. If the waste pipe is made of ABS plastic, use the solvent weld connector in the gully. If the waste pipe is not made of ABS plastic, a mechanical fixing connector must be used to connect the gully outlet to the waste pipe by a fully qualified professional plumber. The gully should then be fixed or secured onto a bed of concrete, and then tied to the reinforcement with wire. The gully must be installed with the flange at the level of the subfloor. In addition, the gully must be installed in a horizontal/flat position. The showering area should have falls built into the concrete subfloor so that the water runs towards the drain. The minimum for this should be 1:150 to ensure the flow of water to the gully and no more than 1:50 to reduce the risk of slipping. A nominal 2% falls is usually used.

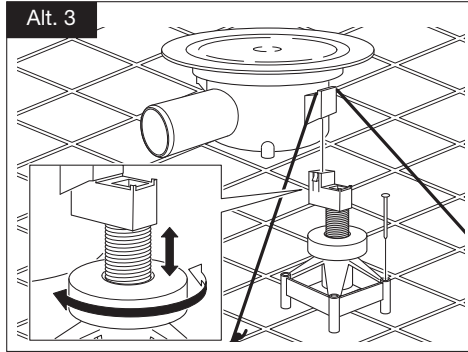
Alt. 2



### Using a recess when installing into a concrete floor

When the waste pipe is embedded, a recess can be made with polystyrene in the size 300mm x 300mm.

Alt. 3

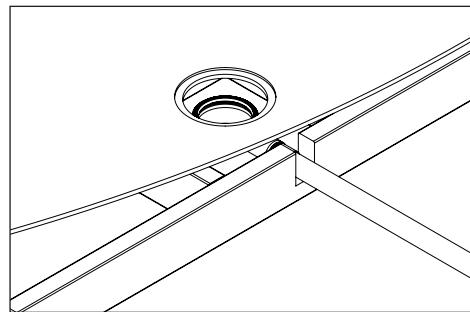


### Purus Support

First fix, nail or screw the Purus support's feet to prevent it from moving during casting. Ensure you do not break the subfloor damp proof membrane below whilst doing this. Then adjust the support's screw until the required height level is achieved. The height can be adjusted by an extra 60mm by using the 110mm sleeve. (Prod. code 7141345)

## Installation into wooden joists

It is advisable to use a wet room tray former into wooden joists.

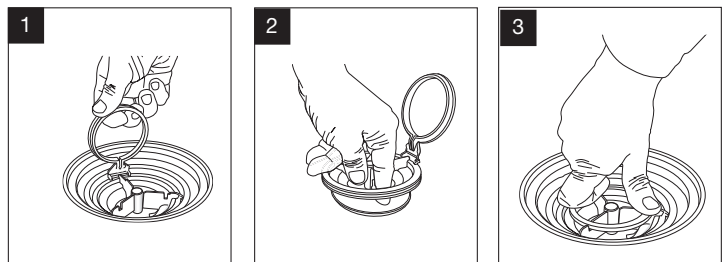


Read the installation instructions from the supplier of the wet room tray former carefully before commencing the installation.

**Please note the full gully cannot be installed into wooden joists without a wet room tray former or Purus Plate 300 Multi.**

## Cleaning and inspection

The floor trap should be kept free from any dirt, hair and debris. You should plan a regular maintenance program.



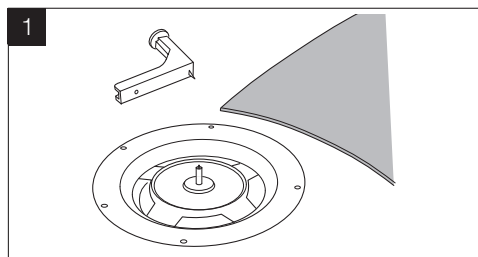
To clean the water trap, first lift up the handle and pull out the trap. Open it and clean with water and/or a soft brush.

To replace the trap, first lubricate the rubber gasket with soapy water and use your thumbs to push the water trap back into place.

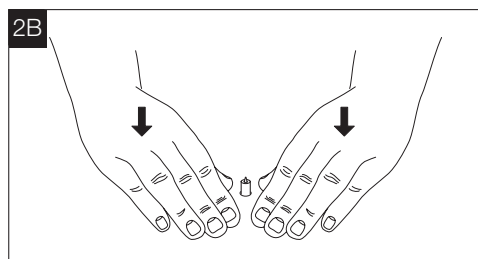
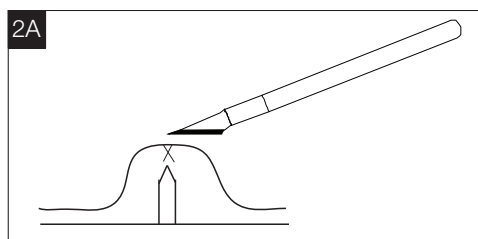
When replacing the water trap back into the trap, check that the rubber gasket underneath is securely in position.

## Purus Knife (Prod. code 7113605)

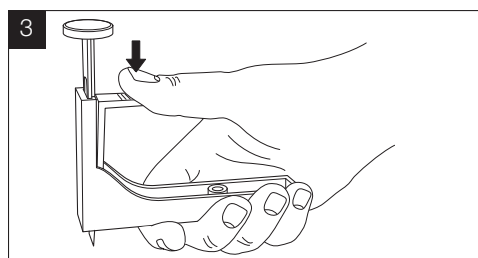
**!** Read the installation instructions from the supplier of the vinyl/PVC or waterproof membrane for tiles and tile adhesive carefully before commencing the installation.



First remove the clamping ring and place the bottom section of the Purus knife into the clamping ring seat in the gully.

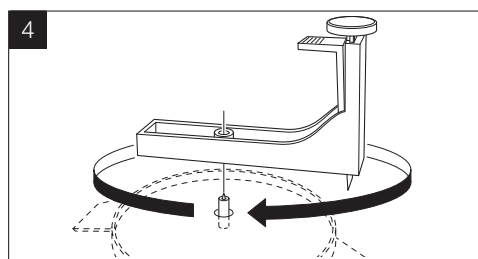


Place either the waterproof membrane or vinyl sheet flooring over the gully and bottom part of the knife, then install the sheet vinyl flooring or waterproof membrane as per the manufacturer's instructions. When this is secure and fixed, locate the spike of the knife and cut a cross in the waterproof membrane or vinyl sheet flooring, and press down so that the spike pushes through.

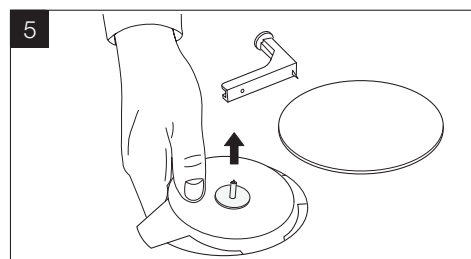


Apply slight pressure onto the arm release of the knife holder so that the blade locks into position.

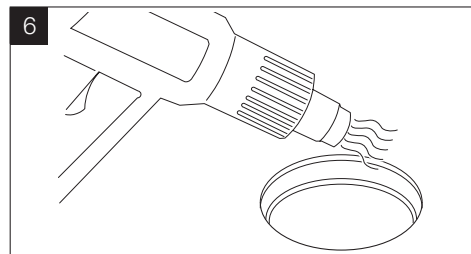
**!** The Purus knife is extremely sharp so please take extra care.



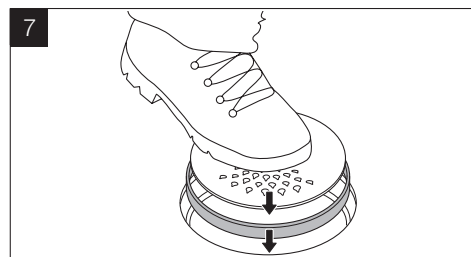
Place the arm of the knife on the spike and spin the knife 360°, cutting a full circle.



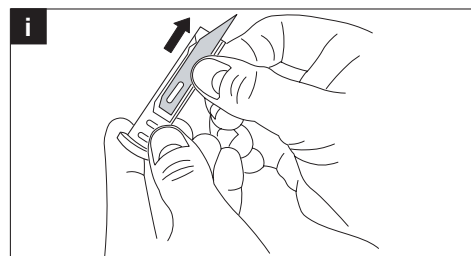
Remove the cut-out circle and the bottom section of the Purus knife from the trap.



Heat the vinyl around the trap hole. Do not overheat! **NOTE: The waterproof membrane for tiles should not be heated.**



For vinyl sheet flooring, ensure that the vinyl is warm and malleable before installing the clamping ring. Take the clamping ring with the text facing upwards and place the grating on top of it. Press them both firmly down into the gully until the ring has clicked in and both the grate and clamp are fully secured. For waterproof membrane for tiles, use the vinyl grate to help you install the clamping ring and throw this grate away afterwards as you must fit a dedicated Purus tile grate.



To change the blade, pull the holder all the way out of the body.  
Spare blade: Stanley 5903 or Purus species (Prod. code 52582).

**Fully test the system for leaks before using the shower.**

**PURUS**  
www.purusgroup.com