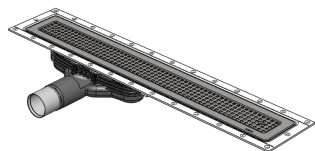
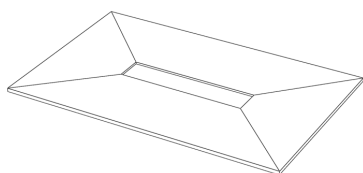


Purus Line Living Plus Linear wetroom solution For vinyl floors



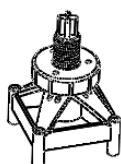
Introduction & Guidelines

Pages 1-2



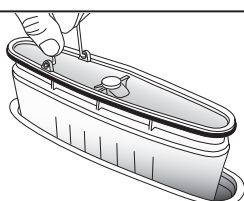
Joist Installation

Pages 3-6



Concrete Installation

Pages 7-9



Cleaning & Maintenance

Page 10

Important

Read all the pages of these instructions fully and thoroughly before you commence installing and keep in a safe location for future reference. For further information please call the Purus Technical Helpline on 0113 289 6102.

Please ensure these instructions are passed on to the end user as they include Maintenance Instructions for the NOOD water trap.

If any of the components are damaged or missing, do not install; contact your supplier straight away.

The gully must be installed horizontally.

The showering room should have falls built into the subfloor so that all the water runs towards the drain. The minimum for this should be 1:150 to ensure the flow of water to the floor gully and no more than 1:50 to reduce the risk of slipping.

PURUSLINE LIVING PLUS WETROOM SOLUTION

Plumbing

All plumbing work should be carried out by a fully qualified professional plumber. Use the 42.9mm (1½ inch) ABS pipe adapter/connector provided for solvent welding and connecting to the 42.9mm (1½ inch) waste pipe. Do not solvent weld the outlet without the adapter/connector provided. If using a mechanical fitting, remove the adapter.

Check List/Safety Notes

- If any of the components are damaged or missing, do not install; contact your supplier straight away.
- Check the level of the joists and floorboards prior to installation of the tray and marine ply. They must be flat and level. The joists and floor must be made sound and secure according to BS 5268 and for BS 6178 if using joist hangers. Use appropriate marine ply boards in accordance with BS 8203:2017 for vinyl flooring.
- Do not install the product on a raised platform. It is designed only to be installed level with the surrounding floor.
- If there is any movement or flexing whatsoever on the joists or floorboards, then they need to be made good and solid before installing. To make good, you must add structural supports and/or braces to the joists and/or floorboards in accordance with BS 6178. If there is still movement or flexing, do not fit the product.
- Check where all pipes, electrical cables and all other services are prior to drilling, cutting and screwing into walls, ceilings and floors.
- Ensure your tools for installation are fit for purpose and follow manufacturer's instructions provided with the tools.
- The grate when installed must be horizontal and flat. It also must be level with the floor surface and not at an angle or on a slope.
- Do not use power tools on the screws of the Purus Line Living Plus drainage channel.
- Remove any skirting boards in the room.
- Always ensure the installation and working areas are kept safe, especially from children and pets. Ensure that no tools are lying around and that the working and installation areas are clean and tidy at all times.
- Ensure that all sharp devices such as knives and saws have covers on them at all times. Do not carry knives in pockets.
- Safety goggles, masks and gloves should be worn at all times.
- The showering room should have falls built into the subfloor so that all the water runs towards the drain. The minimum for this should be 1:150 to ensure the flow of water to the floor gully and no more than 1:50 to reduce the risk of slipping.
- You must tank all walls using a tanking kit when using ceramic tiles.

- It is very important that vinyl flooring is installed following BS 8203:2017.

- Any gaps or holes/damage in the walls and floors must be made good following BS 8203:2017 for vinyl flooring.

- Check the litres per minute output of your shower/showers before choosing the waste outlet especially if you are going to use a shower pump or a high flow boiler. The flow rate for the gully is 60 litres per minute for the Side and Side Side waste outlets, and 30 litres per minute for the Low waste outlet. Do not exceed these limits unless using multiple gullies.

Packaging

Once packaging has been unpacked and used it should always be taken to the nearest local authority waste collection site for recycling. The packaging must not be thrown away with normal household waste.

Liability

The Manufacturer will not accept any liability for failure if the Purus Line Living Plus Drainage Channel and/or Self-Supporting Tray has been installed incorrectly and with disregard to the instructions. Always test the waste connection and the whole system for leaks prior to handing the job over to the client.

Hand over these instructions to the client upon completion as they contain Maintenance Instructions.

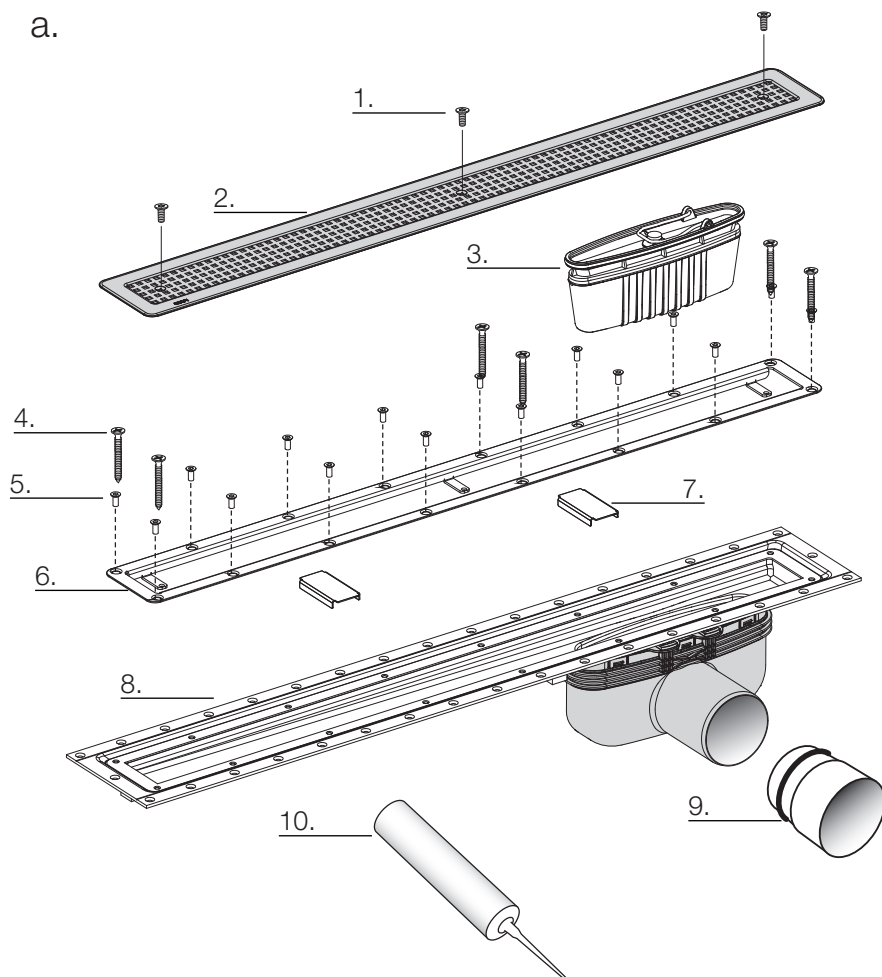
PURUSLINE LIVING PLUS WETROOM SOLUTION

into wooden floorboards
with Self-Supporting Tray

Self-Supporting Tray Installation

Pages 3-6

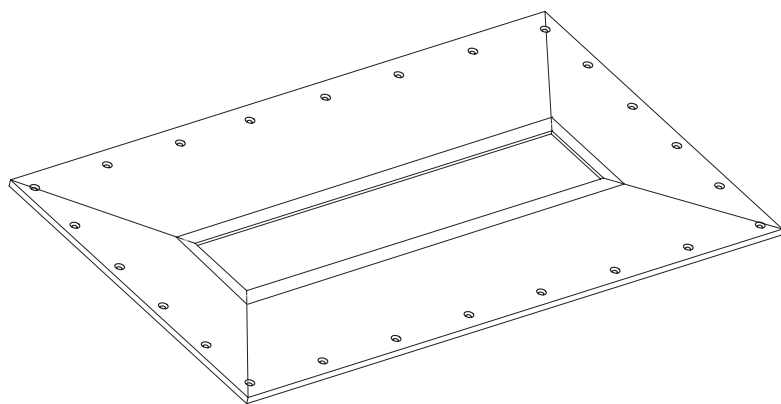
a.



a. Purus Line Living Plus Linear Channel

1. Screws for grate
These screws fix the grate and clamping frame together
2. Stainless steel grate
3. NOOD water trap
4. Screws for joist installation (not supplied)
Use screws no bigger than 3.0x20mm / No.4 x 3/4"
5. Screws for clamping frame
6. Clamping frame for grate
7. Channel body supports for installation x2
8. Purus Line Living Plus channel & gully
9. 50mm to 1 1/2" ABS adapter for solvent weld
10. MS Polymer (supplied separately)

b.



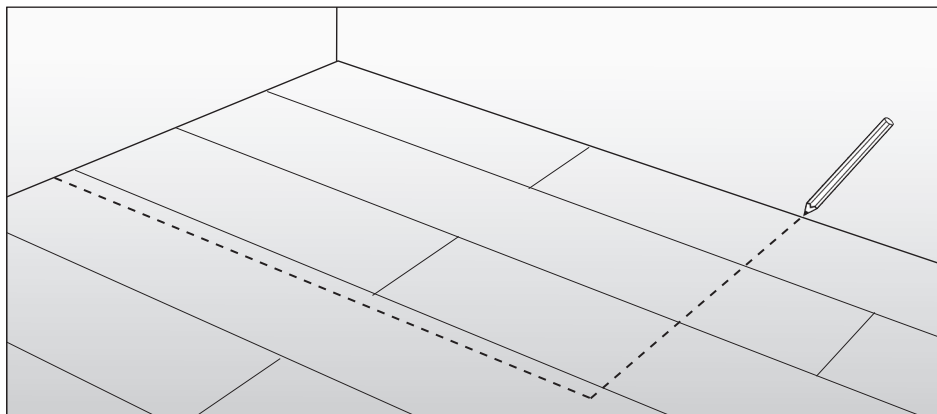
b. Self-Supporting Tray - 4 Options

- 1200x900x22mm
for 600mm Channel, off-centre outlet
- 1200x1200x22mm
for 600mm Channel, off-centre outlet
- 1400x900x22mm
for 800mm Channel, centre outlet
- 1600x900x22mm
for 800mm Channel, centre outlet

Please note: drawings in this document show the Self-Supporting Tray with a centre outlet. Please follow the same instructions when using a Self-Supporting Tray with an off-centre outlet.

PURUSLINE LIVING PLUS WETROOM SOLUTION

into wooden floorboards
with Self-Supporting Tray

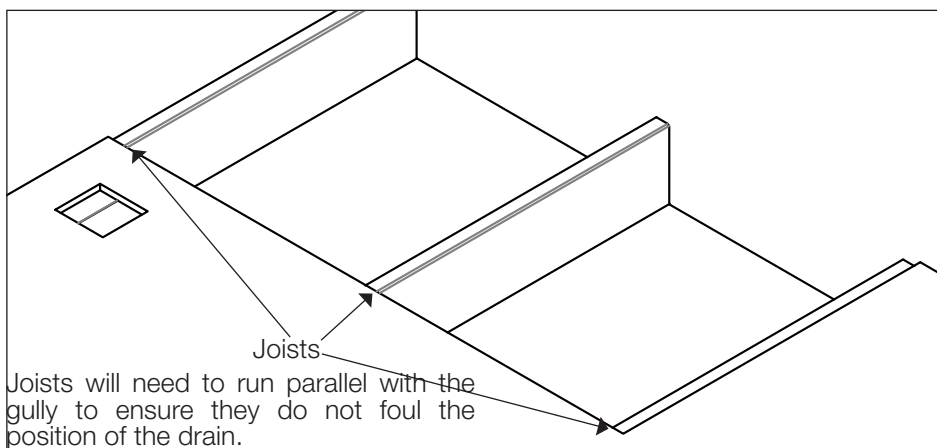


Stage 1

Ensure the walls and floor are free from dirt and protruding nails and objects and that the floor coverings have been removed. Remove all skirting and make good any damage/gaps.

Using a marker pen, mark out the outer of the tray. Check that the joists are level using a spirit level.

Remove the tray and put to one side.



Stage 2

Using a circular saw, with a cutting depth set to the depth of the floorboards, cut out a rectangular shape on the floor to match the tray.

Make sure that at least three floor joists at 400mm centres are showing. If not, add more support by screwing 4" x 2" timbers to the underside of the floorboards. Then cut another hole for connecting the waste pipe to the gully outlet. Keep the piece from this hole, as you will need it to make good after the gully outlet is connected.

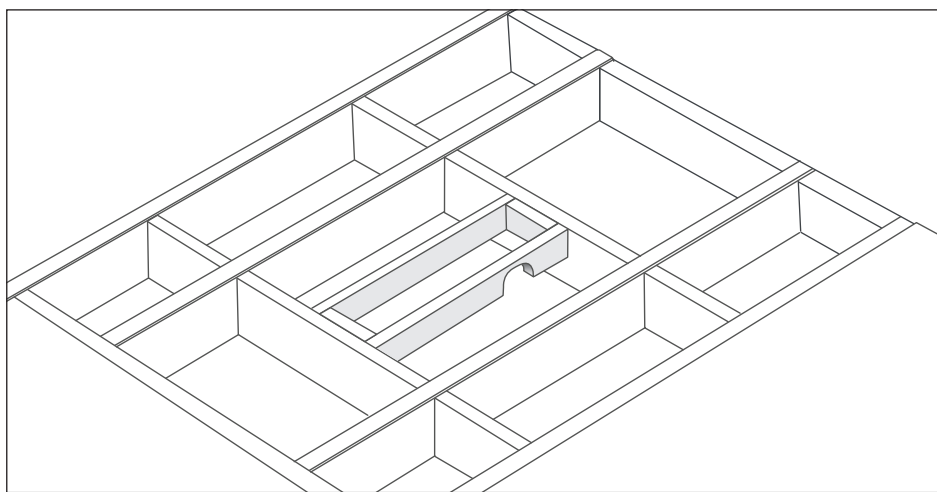
Ensure that the saw does not cut into the joists.

Noggins or structural supports need to be added to the joists. These are required to add extra support for the tray and the channel around its perimeter.

Place the tray in its final position and mark the position of the extra supports.

These are to be positioned directly underneath the rebate in the tray and the gully flange.

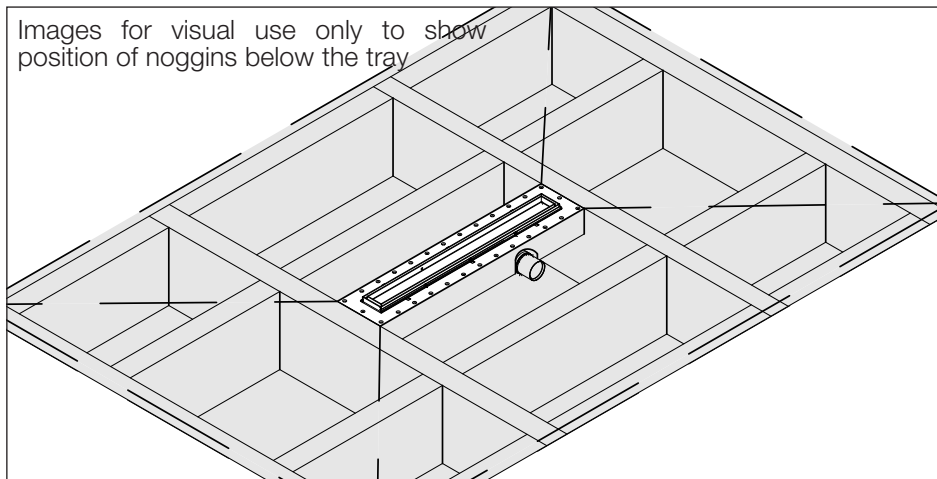
Please note that you may have to allow a gap or cut out section of the noggins for the pipework to be connected.



Stage 3

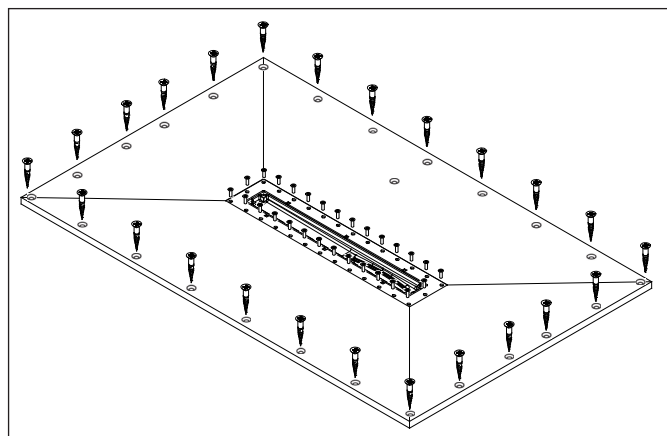
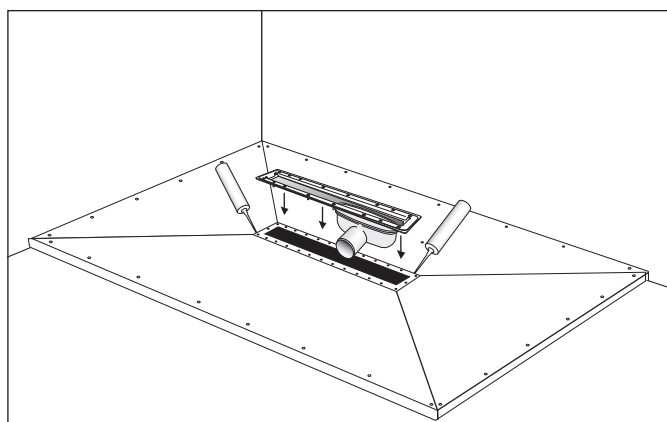
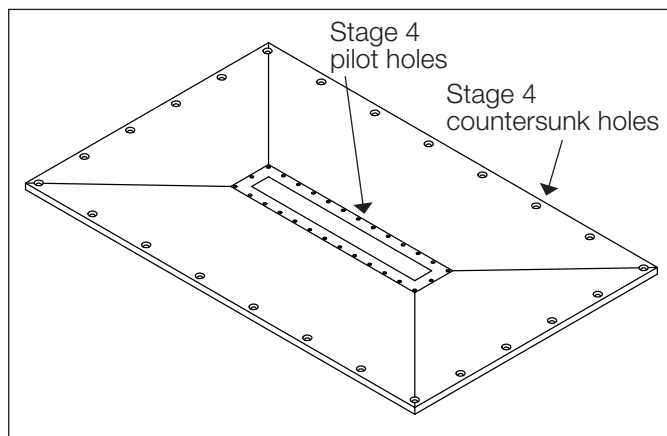
Using a spirit level check that the joists are level.

Once the joists are level, lay out the tray into position on the floor.



PURUSLINE LIVING PLUS WETROOM SOLUTION

into wooden floorboards
with Self-Supporting Tray



Stage 4

Create pilot holes in to the tray rebate to marry to the countersunk holes in the flange of the gully using a 2mm drill bit. This is to accept countersunk screws no bigger than 3.0x20mm / No.4 x 3/4".

Apply a bead of MS Polymer along the whole of the rebate of the tray, then place the gully into the rebate and fix the gully to the tray with the countersunk screws no bigger than 3.0x20mm / No.4 x 3/4" in to the already created pilot holes in the rebate of the tray. Never use a power tool to screw the countersunk screws. Use hand tools only.

If there are no countersunk holes on the outside of the tray, create countersunk holes every 15cm.

Stage 5

Place the tray into the hole and check it is 4mm above the floorboards. Then screw the tray down using the counter-sunk holes in the tray. Use a car filler type material to fill the holes so that the vinyl flooring does not slump.

Use screws
(not supplied).



IMPORTANT:

Ensure you avoid screwing through any pipework, cables or services etc.

Follow this step until you have fitted the whole tray.

Then connect the outlet to the waste pipe.

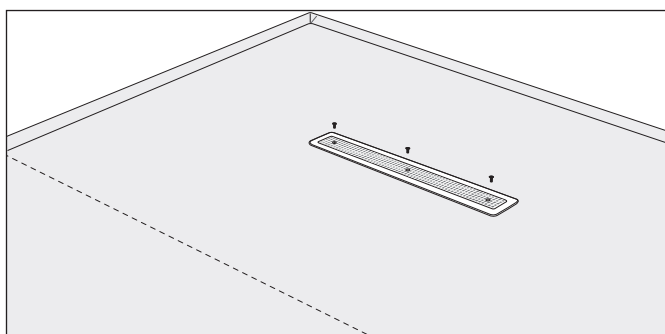
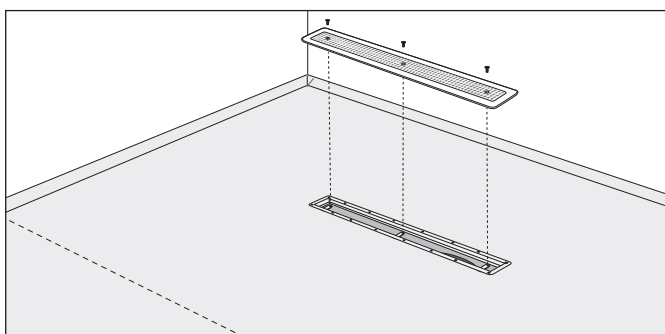
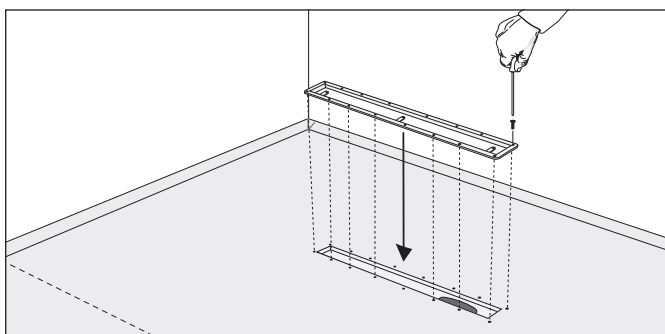
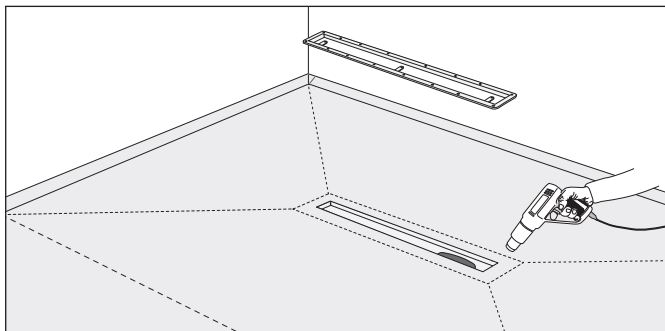
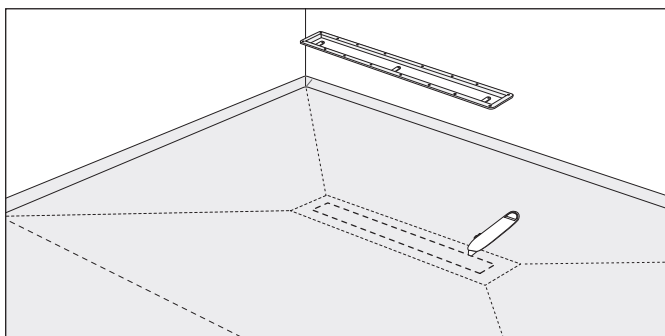
Waste pipes

If your waste pipe is an ABS plastic 1½ inch or 42.9mm pipe then you can use the supplied 42.9mm (1½ inch) ABS pipe adapter provided for solvent welding and connecting to the 42.9mm (1½ inch) waste pipe.

The push fit end must be fully inserted into the gully prior to connecting to the waste pipe. The gully adapter can then be solvent welded to the waste pipe by a fully qualified professional plumber. If the waste pipe is not an ABS plastic 1½ inch or 42.9mm pipe then a mechanical fixing connector must be used to connect the gully outlet to the waste pipe by a fully qualified professional plumber. Once the gully has been connected to the waste pipe and tested for leaks by your fully qualified plumber, the hole cut for connecting the pipe should be made good.

PURUSLINE LIVING PLUS WETROOM SOLUTION

into wooden floorboards
with Self-Supporting Tray



Stage 6

Remove the protective cover from the plastic part of the gully so that you can access the clamping frame.

Level the floor so it is flush with the tray according to BS 8203:2017 with appropriate marine ply. Seal the surrounding edges of the tray with MS Polymer.

Remove the channel body supports from underneath the grate.

Install the floor covering according to BS 8203:2017 and the supplier's recommendations into the frame and cut to the inner edge of the frame. We recommend to only use vinyl flooring with a maximum thickness of 3mm. Gently heat up the vinyl floor covering around the drain according to the supplier's recommendations. Ensure you do not overheat.

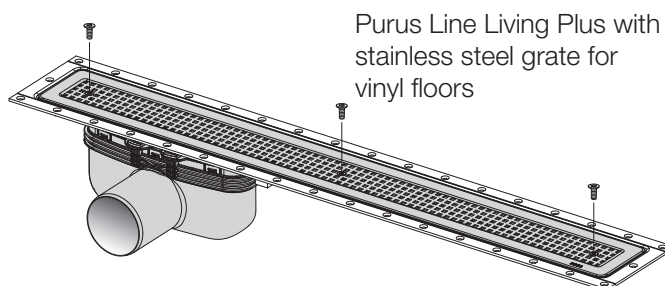
Position the clamping frame and, using it as a template, pierce holes for the screws with an awl.

Place the grating into position and use screws with a Torx screwdriver set to 1Nm to fasten it down. Be careful not to overtighten the screws.

Do not use power tools. Use a hand screwdriver only.



Remove the protective cover from the stainless steel grate. Then fix the grate into position using the screws provided.

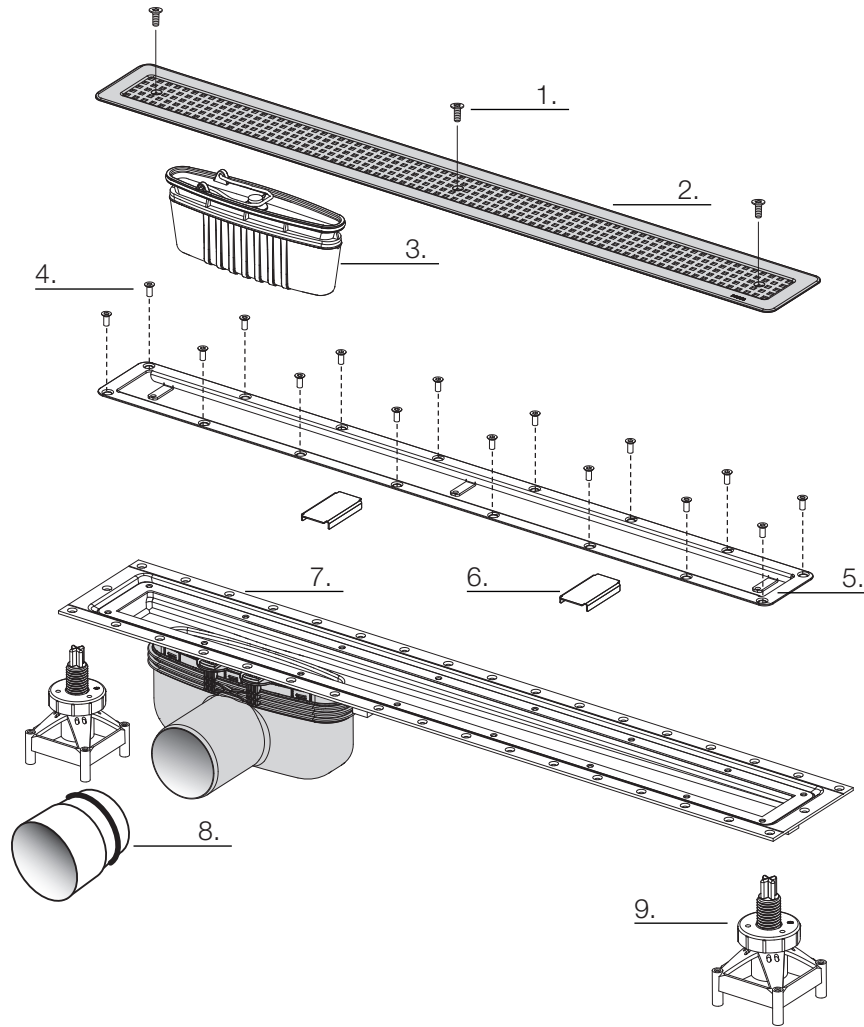


PURUSLINE LIVING PLUS WETROOM SOLUTION

into concrete

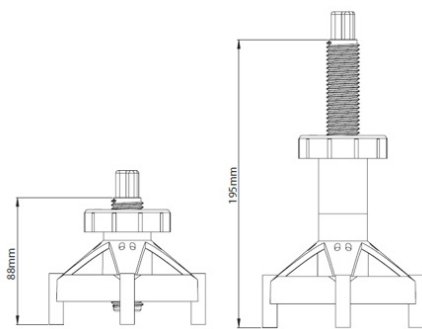
Concrete Installation

Pages 7-9



Purus Line Living Plus Linear Channel

1. Screws for grate
These screws fix the grate and clamping frame together
2. Stainless steel grate
3. NOOD water trap
4. Screws for clamping frame
5. Clamping frame for grate
6. Channel body supports for installation x 2
7. Purus Line Living Plus channel & gully
8. 50mm to 1½" ABS adapter for solvent weld
9. Concrete support x 2

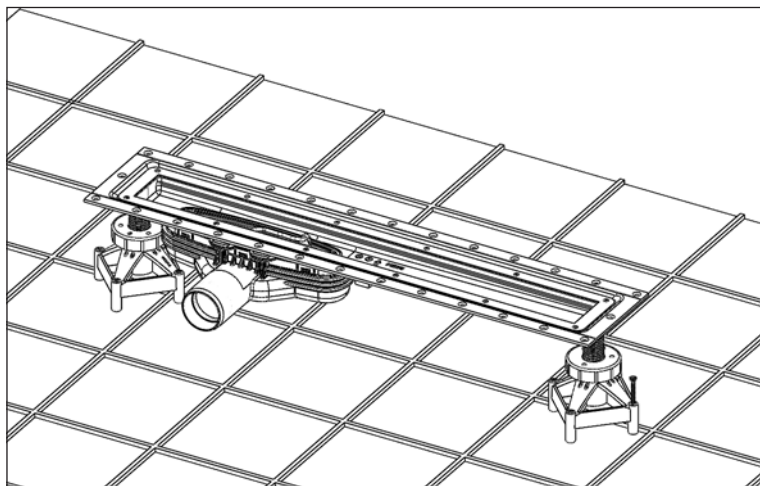


The concrete support is made of plastic. It is a tool to fix the gully at the casting of concrete screed.

The concrete support has a min height of 88mm and a max height of 195mm with a distance case at 50mm.

PURUSLINE LIVING PLUS WETROOM SOLUTION

into concrete



Stage 1

The Purus Line Living Plus gully is placed on the surface and the height is adjusted by the concrete support.

Ensure your DPM below the concrete is not broken.

Connect the gully to the waste pipe. The installation is attached to the reinforcement with steel wire.

Waste pipes

If your waste pipe is an ABS plastic 1½ inch or 42.9mm pipe then you can use the supplied 42.9mm (1½ inch) ABS pipe adapter provided for solvent welding and connecting to the 42.9mm (1½ inch) waste pipe.

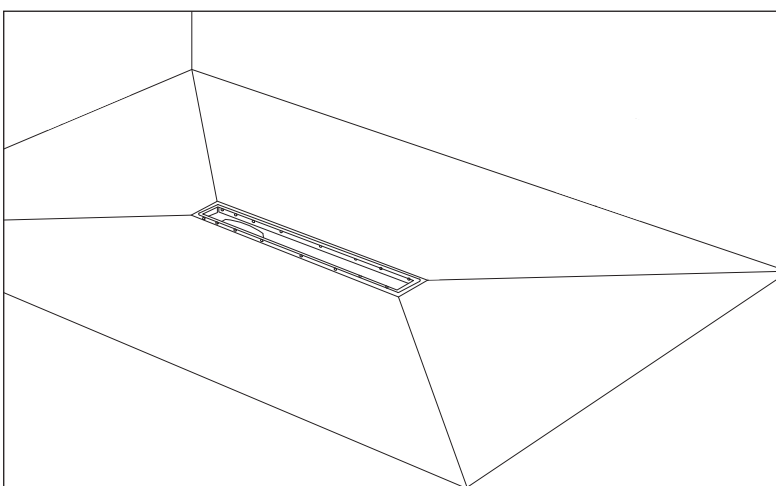
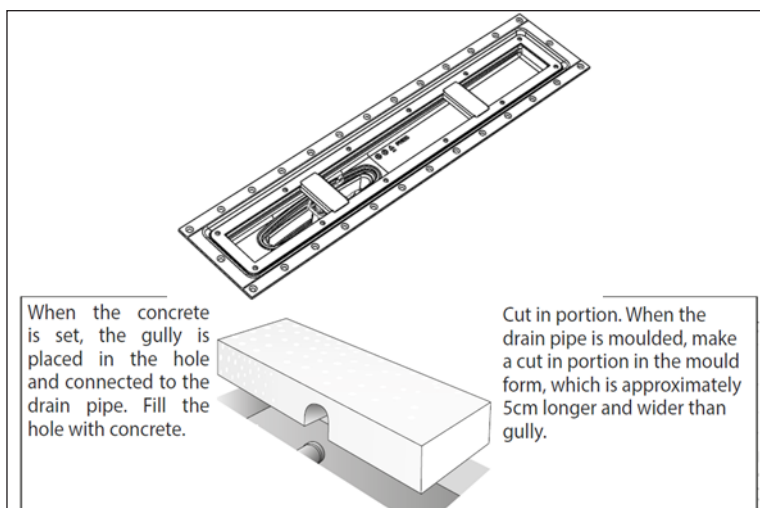
The push fit end must be fully inserted into the gully prior to connecting to the waste pipe. The gully adapter can then be solvent welded to the waste pipe by a fully qualified professional plumber.

If the waste pipe is not an ABS plastic 1½ inch or 42.9mm pipe then a mechanical fixing connector must be used to connect the gully outlet to the waste pipe by a fully qualified professional plumber. Once the gully has been connected to the waste pipe and tested for leaks by your fully qualified plumber, you can pour the concrete.

The showering area should have falls built into the subfloor so that the water runs towards the drain. The minimum for this should be 1:150 to ensure the flow of water to the floor trap and no more than 1:50 to reduce the risk of slipping. A nominal 2% falls is usually used.

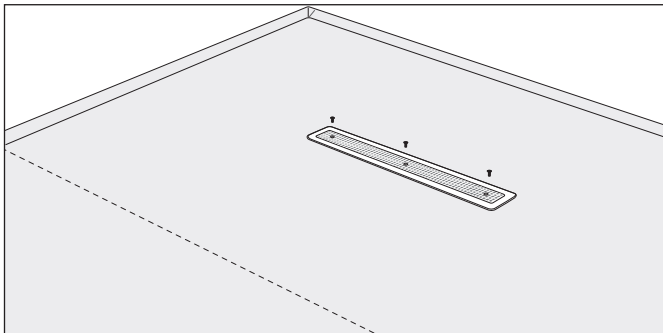
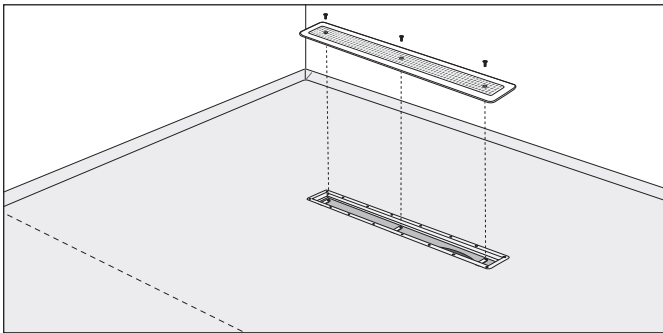
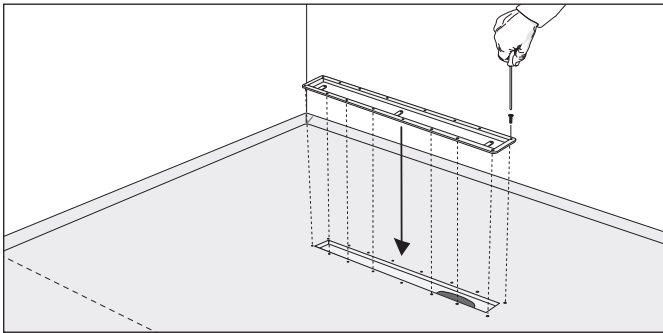
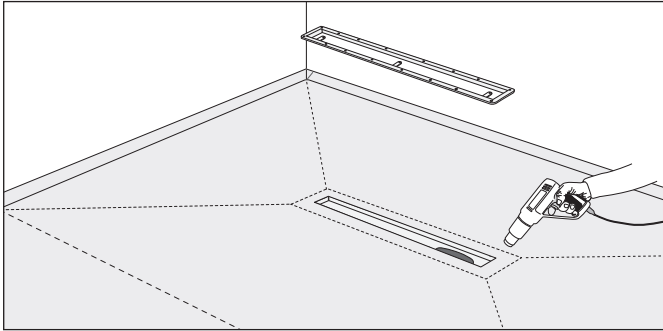
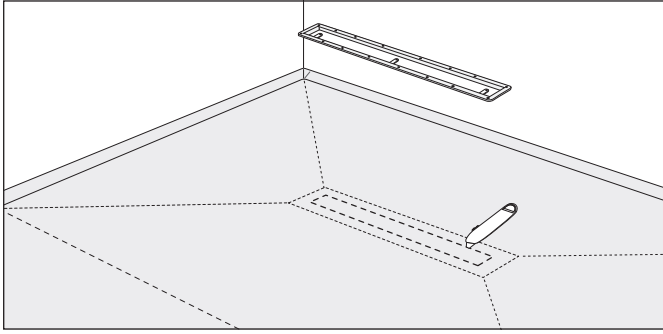
If using ceramic tiles on the walls, use a tanking kit to tank the walls.

Once the concrete has set, remove the protective cover from the plastic part of the gully so that you can access the clamping frame.



PURUSLINE LIVING PLUS WETROOM SOLUTION

into concrete



Stage 2

Remove the channel body supports from underneath the grate.

Install the floor covering according to the supplier's recommendations into the frame and cut to the inner edge of the frame. We recommend to only use vinyl flooring with a maximum thickness of 3mm. Gently heat up the vinyl floor covering around the drain according to the supplier's recommendations. Ensure you do not overheat.

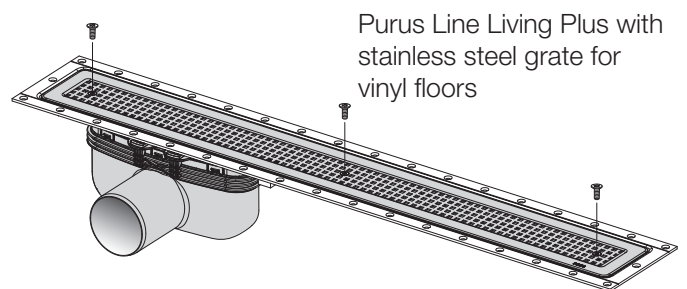
Position the clamping frame and, using it as a template, pierce holes for the screws with an awl.

Place the grating into position and use screws with a Torx screwdriver set to 1Nm to fasten it down. Be careful not to overtighten the screws.

Do not use power tools. Use a hand screwdriver only.

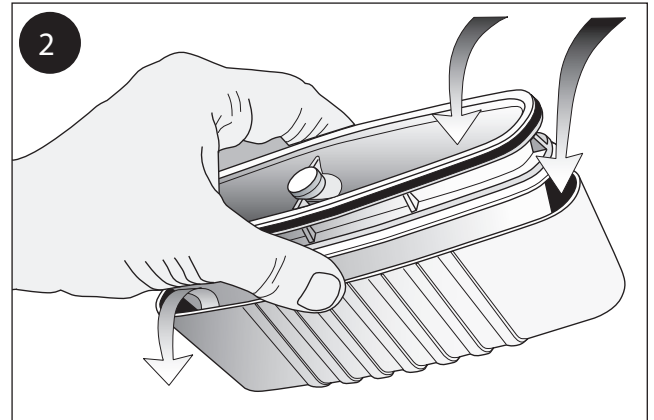
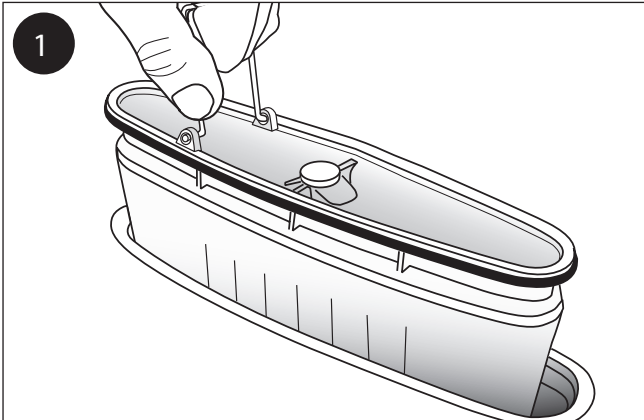


Remove the protective covers from the plastic part of the gully and from the stainless steel grate. Then fix the grate into position using the screws provided.



Cleaning and Maintenance

These Cleaning and Maintenance instructions must be handed to the client upon completion.



1. Lift out the NOOD water trap as above.
2. If necessary, rinse the NOOD water trap using water. Hold the NOOD water trap with the spring loaded body fully open whilst rinsed clean.

Use only water and, if required, a small brush to clean the NOOD. It is important that you do not use bleach, bleach-based, caustic cleaning products or hair dye products on or in the NOOD water trap. Remove the NOOD first.

If bleach, deblocker or any other cleaning product is to be used in the pipework, then the NOOD water trap must first be removed and bleach, deblocker or any other cleaning product poured directly into the pipework.

3. Replace the NOOD water trap with two thumbs at each short end.

For resealing the NOOD water trap, you will need to use a washing-up liquid around the top rubber gasket when pushing the NOOD back into position for ease of installation.

Make sure the gaskets are completely clean so the NOOD is watertight. Ensure when placed back that the gully is fully inserted so the gasket is watertight using two thumbs at each short end.

If you have a blockage in the waste pipe system, remove the NOOD before rectifying/cleaning.