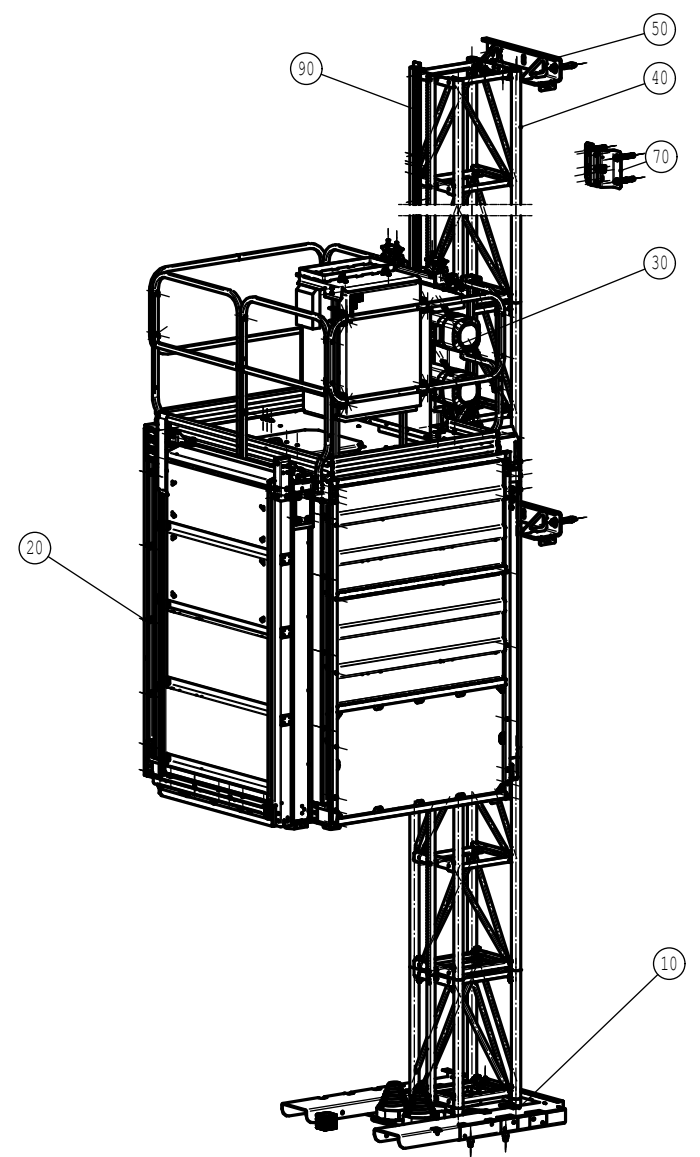
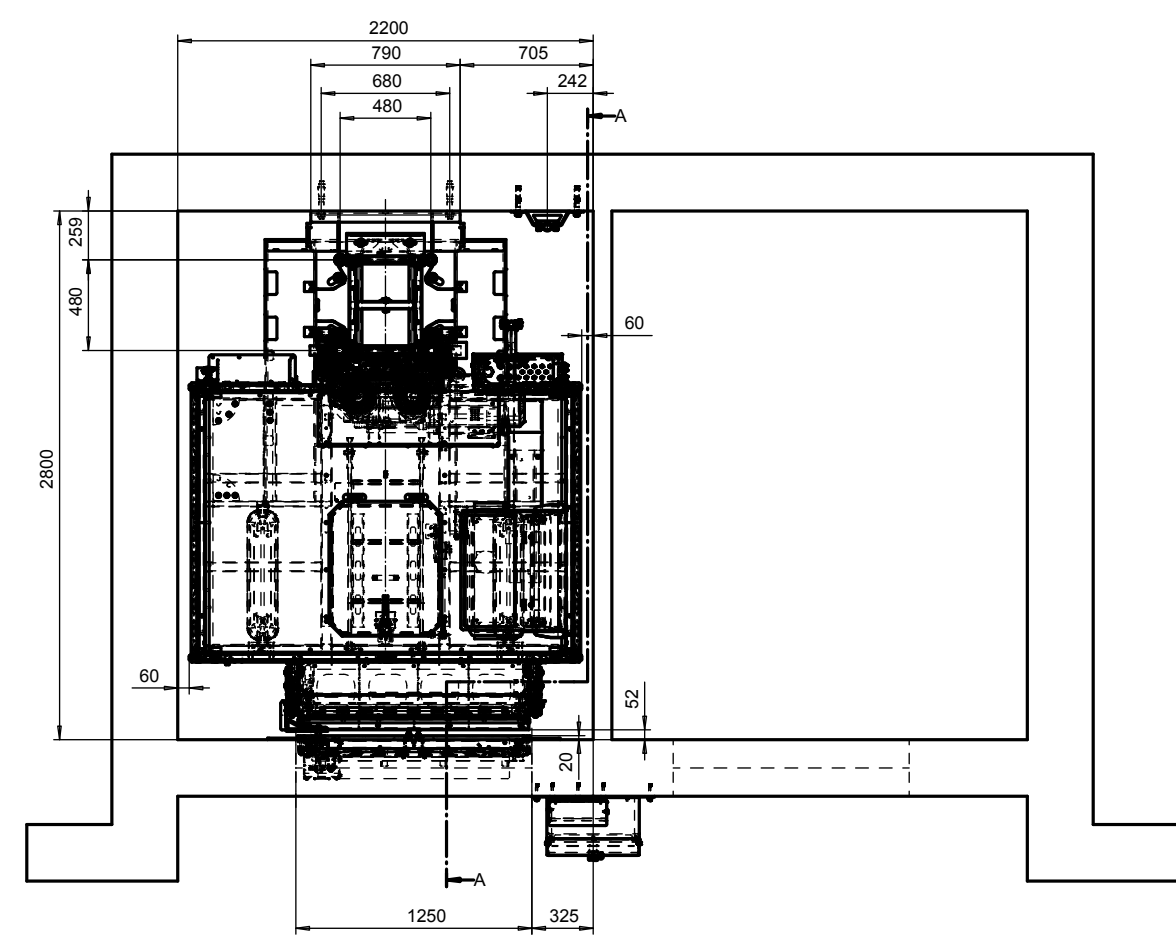
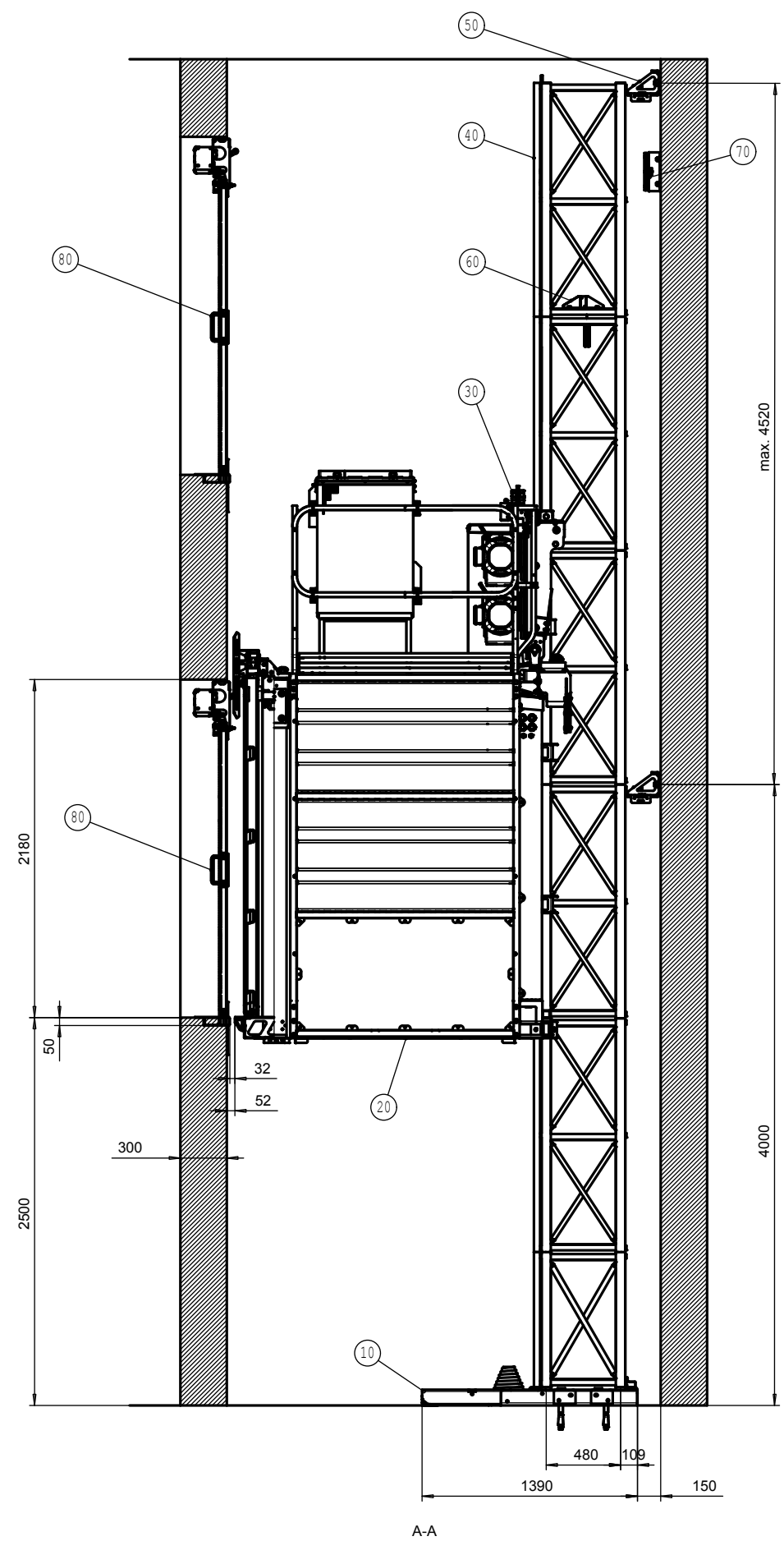


The document is a technical drawing of a hoist system. It is intended for use as a reference for the installation and operation of the hoist system. It is not intended for use as a construction document. The drawing is a technical drawing and is not intended for use as a construction document. It is not intended for use as a construction document.

This drawing is a technical drawing of a hoist system. It is intended for use as a reference for the installation and operation of the hoist system. It is not intended for use as a construction document. The drawing is a technical drawing and is not intended for use as a construction document. It is not intended for use as a construction document.



Part	Qty	Description	Code	Weight	Pos.		
90	PG117161	3	Krzyzywka przystankowa kpl.	H48	2.897	26	
80	PG172588		Sciana przystanku kpl.	SC2020-48	131.714	26	
70	PG172695		Scienny uchwyt kabla kompletny		11.48	1	
60	PG172729		Wspornik kabla na maszcie H48	H48	4.21	1	
50	PG172668		Kotwienie kpl. sztyb betonowy	SC2020-48	39.45	15	
40	PG114065	1	SEKCJA MASZT KPL SC1432 480x480x1508	SC1432_MS	78.395	56	
30	PG172727		Plyta nap.kpl.w/PLC z fal.SC2020-48FL 67H	SC2020-48FL SRV Kal.	2x9 2kW 67Hz SEW	687.66	1
20	PG172545		Kabina kompletna SC2020-48	SC2020-48FL SRV Kal.	886.46	1	
10	PG172719		Podstawa dźwigu SC2020-48 kpl.	SC2020-48	398.77	1	

Part	Qty	Description	Code	Weight	Pos.
PG172482	1:20				

Model: Dźwig SC2020 ver. C, H48
 Nazwa projektu: Hoiist SC2020 ver. C, H48
 SC2020-48FL SRV Kalusto

10472.34
 10472.34
 10472.34
 10472.34

A1
 SCANGLIMBER®
 PG172482-1