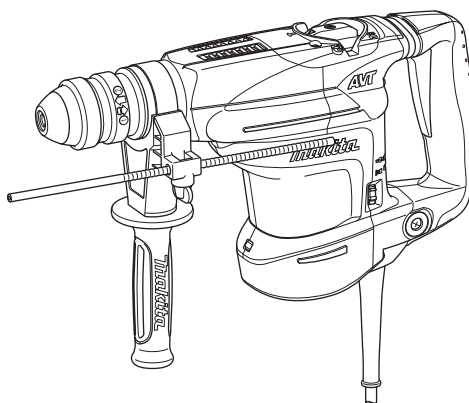




EN	Rotary Hammer	INSTRUCTION MANUAL	5
SV	Borrhammare	BRUKSANVISNING	11
NO	Borhammer	BRUKSANVISNING	16
FI	Poravasara	KÄYTTÖOHJE	21
LV	Perforators	LIETOŠANAS INSTRUKCIJA	26
LT	Rotacinis plaktukas	NAUDOJIMO INSTRUKCIJA	31
ET	Puurvasar	KASUTUSJUHEND	37
RU	Перфоратор	РУКОВОДСТВО ПО ЭКСПЛУАТАЦИИ	42

**HR3200C**  
**HR3210C**  
**HR3210FCT**



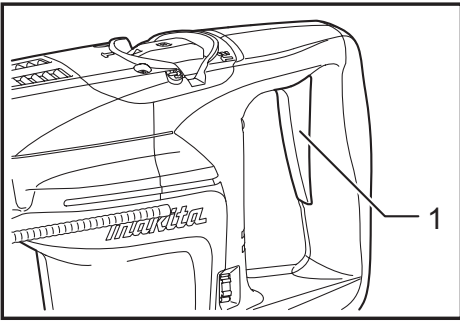


Fig.1

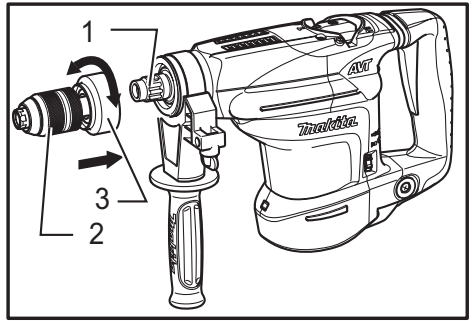


Fig.5

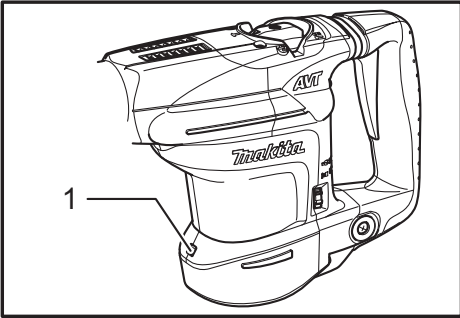


Fig.2

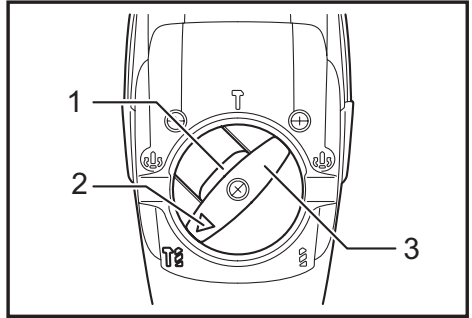


Fig.6

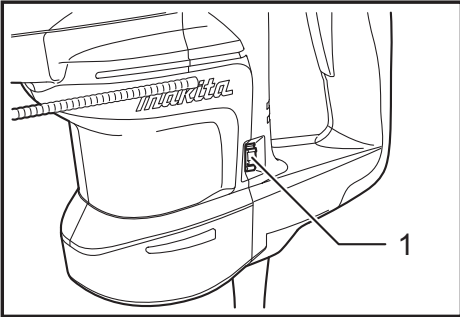


Fig.3

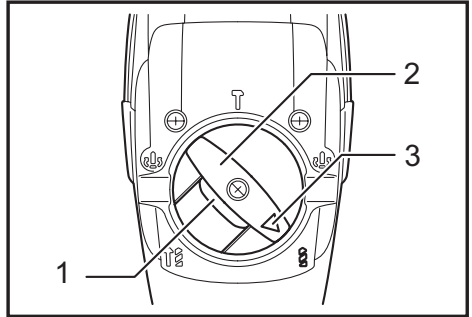


Fig.7

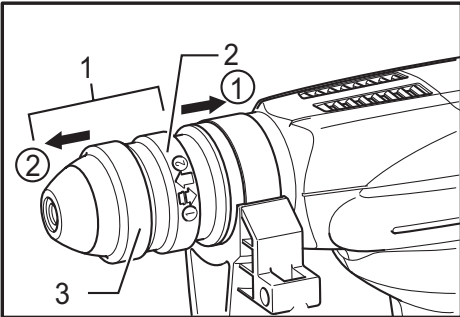


Fig.4

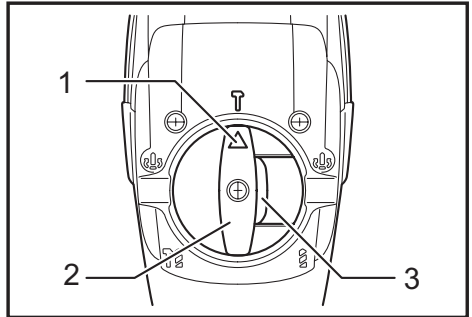


Fig.8

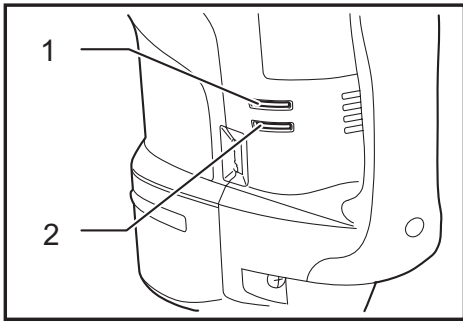


Fig.9

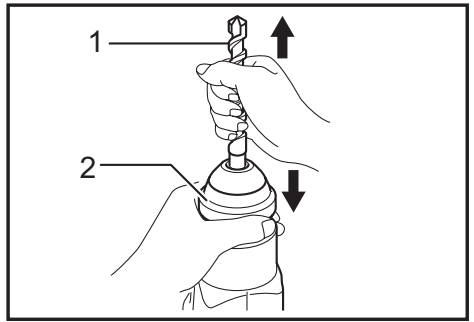


Fig.13

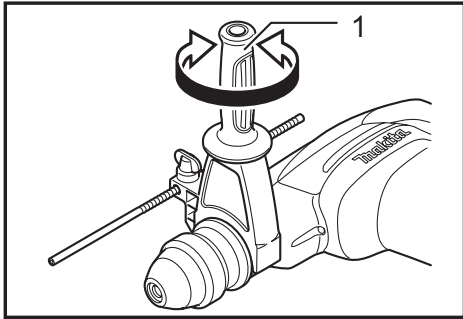


Fig.10

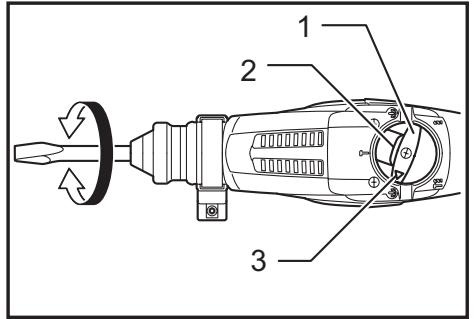


Fig.14

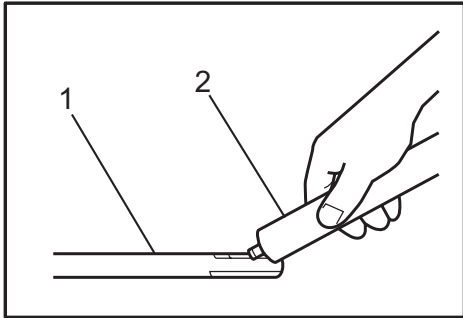


Fig.11

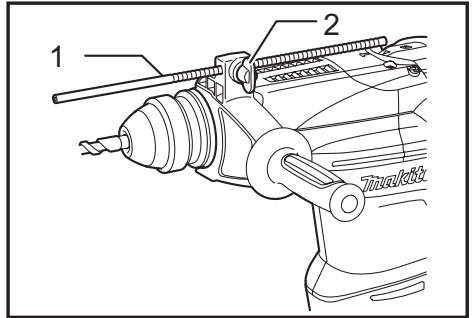


Fig.15

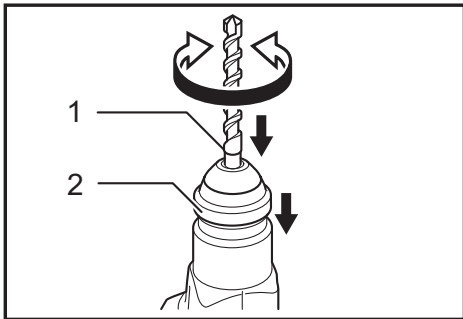


Fig.12

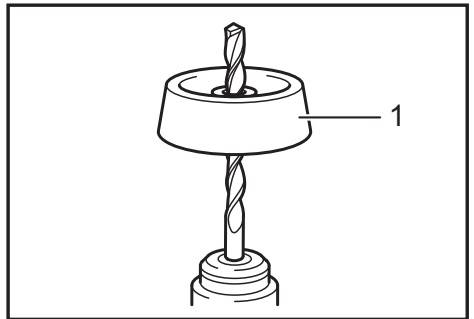


Fig.16

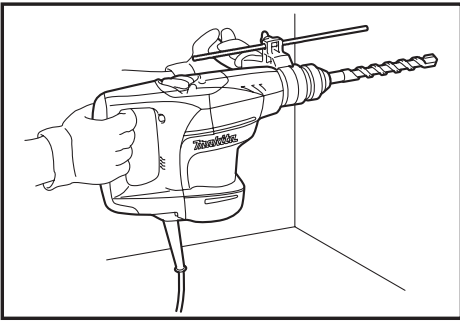


Fig.17

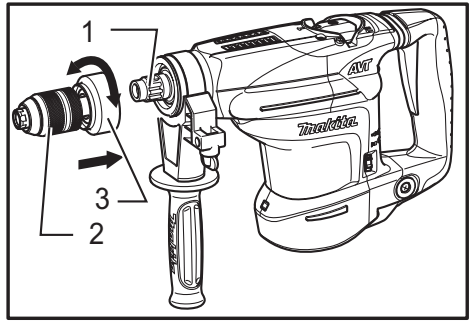


Fig.21

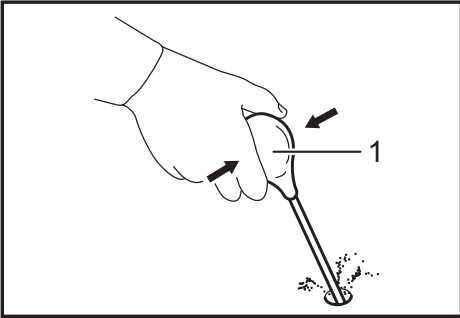


Fig.18

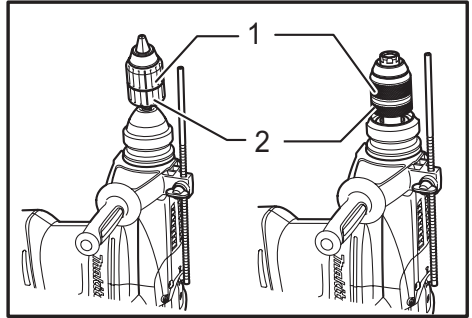


Fig.22

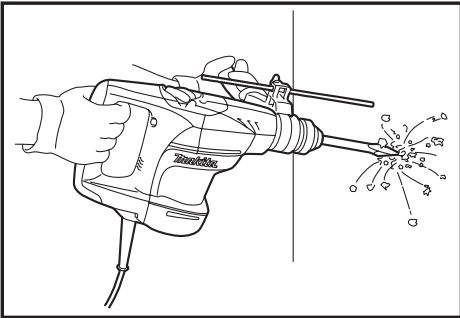


Fig.19

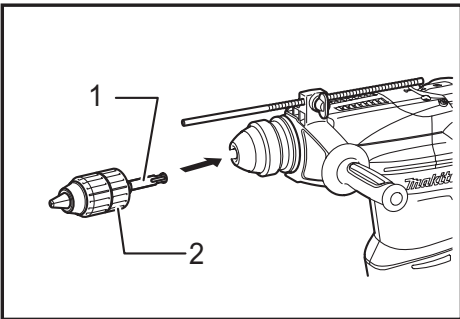


Fig.20

# SPECIFICATIONS

Model			HR3200C	HR3210C	HR3210FCT
Capacities	Concrete	Tungsten-carbide tipped bit	32 mm		
		Core bit	90 mm		
	Steel		13 mm		
	Wood		32 mm		
No load speed (min <sup>-1</sup> )			315 - 630		
Blows per minute			1,650 - 3,300		
Overall length			398 mm		424 mm
Net weight			4.8 kg	5.2 kg	5.4 kg
Safety class			□/II		

- Due to our continuing programme of research and development, the specifications herein are subject to change without notice.
- Specifications may differ from country to country.
- Weight according to EPTA-Procedure 01/2003

### Intended use

The tool is intended for hammer drilling in brick, concrete and stone as well as for chiselling work.

### Power supply

The tool should be connected only to a power supply of the same voltage as indicated on the nameplate, and can only be operated on single-phase AC supply. They are double-insulated in accordance with European Standard and can, therefore, also be used from sockets without earth wire.

### Noise

The typical A-weighted noise level determined according to EN60745:

#### Model HR3200C,HR3210C

Sound pressure level ( $L_{pA}$ ): 89 dB (A)

Sound power level ( $L_{WA}$ ): 100 dB (A)

Uncertainty (K): 3 dB (A)

#### Model HR3210FCT

Sound pressure level ( $L_{pA}$ ): 88 dB (A)

Sound power level ( $L_{WA}$ ): 99 dB (A)

Uncertainty (K): 3 dB (A)

### Wear ear protection

### Vibration

The vibration total value (tri-axial vector sum) determined according to EN60745:

#### Model HR3200C

Work mode : hammer drilling into concrete

Vibration emission ( $a_{h,HD}$ ): 18.0 m/s<sup>2</sup>

Uncertainty (K): 1.5 m/s<sup>2</sup>

Work mode : chiselling

Vibration emission ( $a_{h,CHeg}$ ): 12.5 m/s<sup>2</sup>

Uncertainty (K): 1.5 m/s<sup>2</sup>

Work mode: drilling into metal

Vibration emission ( $a_{h,D}$ ): 2.5 m/s<sup>2</sup> or less

Uncertainty (K): 1.5 m/s<sup>2</sup>

#### Model HR3210C

Work mode : hammer drilling into concrete

Vibration emission ( $a_{h,HD}$ ): 10.0 m/s<sup>2</sup>

Uncertainty (K): 1.5 m/s<sup>2</sup>

Work mode : chiselling

Vibration emission ( $a_{h,CHeg}$ ): 7.5 m/s<sup>2</sup>

Uncertainty (K): 1.5 m/s<sup>2</sup>

Work mode: drilling into metal

Vibration emission ( $a_{h,D}$ ): 2.5 m/s<sup>2</sup> or less

Uncertainty (K): 1.5 m/s<sup>2</sup>

#### Model HR3210FCT

Work mode : hammer drilling into concrete

Vibration emission ( $a_{h,HD}$ ): 10.0 m/s<sup>2</sup>

Uncertainty (K): 1.5 m/s<sup>2</sup>

Work mode : chiselling

Vibration emission ( $a_{h,CHeg}$ ): 8.0 m/s<sup>2</sup>

Uncertainty (K): 1.5 m/s<sup>2</sup>

Work mode: drilling into metal

Vibration emission ( $a_{h,D}$ ): 2.5 m/s<sup>2</sup> or less

Uncertainty (K): 1.5 m/s<sup>2</sup>

**NOTE:** The declared vibration emission value has been measured in accordance with the standard test method and may be used for comparing one tool with another.

**NOTE:** The declared vibration emission value may also be used in a preliminary assessment of exposure.

**⚠WARNING:** The vibration emission during actual use of the power tool can differ from the declared emission value depending on the ways in which the tool is used.

**⚠WARNING:** Be sure to identify safety measures to protect the operator that are based on an estimation of exposure in the actual conditions of use (taking account of all parts of the operating cycle such as the times when the tool is switched off and when it is running idle in addition to the trigger time).

## For European countries only

### EC Declaration of Conformity

We Makita Corporation as the responsible manufacturer declare that the following Makita machine(s):

Designation of Machine:

Rotary Hammer

Model No./ Type: HR3200C,HR3210C,HR3210FCT

are of series production and

Conforms to the following European Directives:

2006/42/EC

And are manufactured in accordance with the following standards or standardised documents:

EN60745

The technical documentation is kept by our authorised representative in Europe who is:

Makita International Europe Ltd.

Michigan Drive, Tongwell,

Milton Keynes, MK15 8JD, England

30.1.2009



Tomoyasu Kato  
Director

Makita Corporation  
3-11-8, Sumiyoshi-cho,  
Anjo, Aichi, JAPAN

### General Power Tool Safety Warnings

**⚠WARNING** Read all safety warnings and all instructions. Failure to follow the warnings and instructions may result in electric shock, fire and/or serious injury.

**Save all warnings and instructions for future reference.**

### ROTARY HAMMER SAFETY WARNINGS

1. **Wear ear protectors.** Exposure to noise can cause hearing loss.
2. **Use auxiliary handle(s), if supplied with the tool.** Loss of control can cause personal injury.
3. **Hold power tool by insulated gripping surfaces, when performing an operation where the cutting accessory may contact hidden wiring or its own cord.** Cutting accessory contacting a "live" wire may make exposed metal parts of the power tool "live" and could give the operator an electric shock.
4. **Wear a hard hat (safety helmet), safety glasses and/or face shield. Ordinary eye or sun glasses are NOT safety glasses.** It is also highly recommended that you wear a dust mask and thickly padded gloves.
5. **Be sure the bit is secured in place before operation.**

6. **Under normal operation, the tool is designed to produce vibration. The screws can come loose easily, causing a breakdown or accident. Check tightness of screws carefully before operation.**
7. **In cold weather or when the tool has not been used for a long time, let the tool warm up for a while by operating it under no load. This will loosen up the lubrication. Without proper warm-up, hammering operation is difficult.**
8. **Always be sure you have a firm footing. Be sure no one is below when using the tool in high locations.**
9. **Hold the tool firmly with both hands.**
10. **Keep hands away from moving parts.**
11. **Do not leave the tool running. Operate the tool only when hand-held.**
12. **Do not point the tool at any one in the area when operating. The bit could fly out and injure someone seriously.**
13. **Do not touch the bit or parts close to the bit immediately after operation; they may be extremely hot and could burn your skin.**
14. **Some material contains chemicals which may be toxic. Take caution to prevent dust inhalation and skin contact. Follow material supplier safety data.**

### SAVE THESE INSTRUCTIONS.

**⚠WARNING:** DO NOT let comfort or familiarity with product (gained from repeated use) replace strict adherence to safety rules for the subject product. MISUSE or failure to follow the safety rules stated in this instruction manual may cause serious personal injury.

# FUNCTIONAL DESCRIPTION

## ⚠ CAUTION:

- Always be sure that the tool is switched off and unplugged before adjusting or checking function on the tool.

## Switch action

► Fig.1: 1. Switch trigger

## ⚠ CAUTION:

- Before plugging in the tool, always check to see that the switch trigger actuates properly and returns to the "OFF" position when released.

To start the tool, simply pull the switch trigger. Release the switch trigger to stop.

## Lighting up the lamps

### For Model HR3210FCT

► Fig.2: 1. Lamp

## ⚠ CAUTION:

- Do not look in the light or see the source of light directly.

To turn on the lamp, pull the trigger. Release the trigger to turn it off.

## NOTE:

- Use a dry cloth to wipe the dirt off the lens of lamp. Be careful not to scratch the lens of lamp, or it may lower the illumination.

## Speed change

► Fig.3: 1. Adjusting dial

The revolutions and blows per minute can be adjusted just by turning the adjusting dial. The dial is marked 1 (lowest speed) to 5 (full speed).

Refer to the table below for the relationship between the number settings on the adjusting dial and the revolutions/blows per minute.

Number on adjusting dial	Revolutions per minute	Blows per minute
5	630	3,300
4	590	3,100
3	480	2,500
2	370	1,900
1	315	1,650

## ⚠ CAUTION:

- If the tool is operated continuously at low speeds for a long time, the motor will get overloaded, resulting in tool malfunction.
- The speed adjusting dial can be turned only as far as 5 and back to 1. Do not force it past 5 or 1, or the speed adjusting function may no longer work.

## Changing the quick change chuck for SDS-plus

### For Model HR3210FCT

The quick change chuck for SDS-plus can be easily exchanged for the quick change drill chuck.

## Removing the quick change chuck for SDS-plus

► Fig.4: 1. Quick change chuck for SDS-plus  
2. Change cover 3. Chuck cover

## ⚠ CAUTION:

- Before removing the quick change chuck for SDS-plus always remove the bit.

Hold the change cover with the thumb and the middle finger and pull it in the direction arrow 1. With the change cover pulled in that direction, hold the chuck cover with the index finger. While holding the chuck cover so, pull out the quick change chuck for SDS-plus in the direction of arrow 2 at a stroke.

## Attaching the quick change drill chuck


► Fig.5: 1. Spindle 2. Quick change drill chuck  
3. Change cover

Grasp the change cover and place the quick change drill chuck on the spindle of the tool. Make sure that the quick change drill chuck is secured by trying to pull it several times.

## Selecting the action mode


### Rotation with hammering

► Fig.6: 1. Lock button 2. Pointer 3. Change lever

For drilling in concrete, masonry, etc., depress the lock button and rotate the change lever so that the pointer points to the  symbol. Use a tungsten-carbide tipped bit.


### Rotation only

► Fig.7: 1. Lock button 2. Change lever 3. Pointer

For drilling in wood, metal or plastic materials, depress the lock button and rotate the change lever so that the pointer points to the  symbol. Use a twist drill bit or wood bit.

### Hammering only

► Fig.8: 1. Pointer 2. Change lever 3. Lock button

For chipping, scaling or demolition operations, depress the lock button and rotate the change lever so that the pointer points to the  symbol. Use a bull point, cold chisel, scaling chisel, etc.

## ⚠ CAUTION:

- Do not rotate the change lever when the tool is running under load. The tool will be damaged.
- To avoid rapid wear on the mode change mechanism, be sure that the change lever is always positively located in one of the three action mode positions.

## Torque limiter

The torque limiter will actuate when a certain torque level is reached. The motor will disengage from the output shaft. When this happens, the bit will stop turning.

### ⚠ CAUTION:

- As soon as the torque limiter actuates, switch off the tool immediately. This will help prevent premature wear of the tool.

## Indicator lamp

- **Fig.9:** 1. Power-ON indicator lamp (green)  
2. Service indicator lamp (red)

The green power-ON indicator lamp lights up when the tool is plugged. If the indicator lamp does not light up, the mains cord or the controller may be defective. The indicator lamp is lit but the tool does not start even if the tool is switched on, the carbon brushes may be worn out, or the controller, the motor or the ON/OFF switch may be defective.

The red service indicator lamp lights up when the carbon brushes are nearly worn out to indicate that the tool needs servicing. After approx. 8 hours of use, the motor will automatically be shut off.

## ASSEMBLY

### ⚠ CAUTION:

- Always be sure that the tool is switched off and unplugged before carrying out any work on the tool.

## Side grip

- **Fig.10:** 1. Side grip

### ⚠ CAUTION:

- Always use the side grip to ensure operating safety when drilling in concrete, masonry, etc.

The side grip swings around to either side, allowing easy handling of the tool in any position. Loosen the side grip by turning it counterclockwise, swing it to the desired position and then tighten it by turning clockwise.

## Installing or removing the bit

- **Fig.11:** 1. Bit shank 2. Bit grease

Clean the bit shank and apply bit grease before installing the bit.

Insert the bit into the tool. Turn the bit and push it in until it engages.

- **Fig.12:** 1. Bit 2. Chuck cover

If the bit cannot be pushed in, remove the bit. Pull the chuck cover down a couple of times. Then insert the bit again. Turn the bit and push it in until it engages.

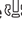
After installing, always make sure that the bit is securely held in place by trying to pull it out.

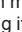
To remove the bit, pull the chuck cover down all the way and pull the bit out.

- **Fig.13:** 1. Bit 2. Chuck cover

## Bit angle (when chipping, scaling or demolishing)

- **Fig.14:** 1. Change lever 2. Lock button 3. Pointer

The bit can be secured at 24 different angles. To change the bit angle, depress the lock button and rotate the change lever so that the pointer points to the  symbol. Turn the bit to the desired angle.

Depress the lock button and rotate the change lever so that the pointer points to the  symbol. Then make sure that the bit is securely held in place by turning it slightly.

## Depth gauge

- **Fig.15:** 1. Depth gauge 2. Clamp screw

The depth gauge is convenient for drilling holes of uniform depth. Loosen the clamp screw and adjust the depth gauge to the desired depth. After adjusting, tighten the clamp screw firmly.

### NOTE:

- The depth gauge cannot be used at the position where the depth gauge strikes against the gear housing/motor housing.

## Dust cup

- **Fig.16:** 1. Dust cup

Use the dust cup to prevent dust from falling over the tool and on yourself when performing overhead drilling operations. Attach the dust cup to the bit as shown in the figure. The size of bits which the dust cup can be attached to is as follows.

	Bit diameter
Dust cup 5	6 mm - 14.5 mm
Dust cup 9	12 mm - 16 mm

## OPERATION

### ⚠ CAUTION:

- Always use the side grip (auxiliary handle) and firmly hold the tool by both side grip and switch handle during operations.

## Hammer drilling operation

- **Fig.17**

Set the change lever to the  symbol.

Position the bit at the desired location for the hole, then pull the switch trigger. Do not force the tool. Light pressure gives best results. Keep the tool in position and prevent it from slipping away from the hole.

Do not apply more pressure when the hole becomes clogged with chips or particles. Instead, run the tool at an idle, then remove the bit partially from the hole. By repeating this several times, the hole will be cleaned out and normal drilling may be resumed.



### **⚠ CAUTION:**

- When the bit begins to break through concrete or if the bit strikes reinforcing rods embedded in concrete, the tool may react dangerously. Maintain good balance and safe footing while holding the tool firmly with both hands to prevent dangerous reaction.


## **Blow-out bulb (optional accessory)**

### ► Fig.18: 1. Blow-out bulb

After drilling the hole, use the blow-out bulb to clean the dust out of the hole.

## **Chipping/Scaling/Demolition**

### ► Fig.19

Set the change lever to the  symbol. Hold the tool firmly with both hands. Turn the tool on and apply slight pressure on the tool so that the tool will not bounce around, uncontrolled. Pressing very hard on the tool will not increase the efficiency.

## **Drilling in wood or metal**


### ► Fig.20: 1. Chuck adapter 2. Keyless drill chuck

### ► Fig.21: 1. Spindle 2. Quick change drill chuck 3. Change cover

### ► Fig.22: 1. Sleeve 2. Ring

## **For Model HR3200C,HR3210C**


Use the optional drill chuck assembly. When installing it, refer to "Installing or removing the bit" described on the previous page.

Set the change lever so that the pointer points to the  symbol.

## **For Model HR3210FCT**

Use the quick change drill chuck as standard equipment. When installing it, refer to "changing the quick change chuck for SDS-plus" described on the previous page.


Hold the ring and turn the sleeve counterclockwise to open the chuck jaws. Place the bit in the chuck as far as it will go. Hold the ring firmly and turn the sleeve clockwise to tighten the chuck. To remove the bit, hold the ring and turn the sleeve counterclockwise.

Set the change lever to the  symbol. You can drill up to 13 mm diameter in metal and up to 32 mm diameter in wood.

### **⚠ CAUTION:**

- Never use "rotation with hammering" when the quick change drill chuck is installed on the tool. The quick change drill chuck may be damaged.
- Pressing excessively on the tool will not speed up the drilling. In fact, this excessive pressure will only serve to damage the tip of your bit, decrease the tool performance and shorten the service life of the tool.
- There is a tremendous twisting force exerted on the tool/bit at the time of hole breakthrough. Hold the tool firmly and exert care when the bit begins to break through the workpiece.
- Always secure small workpieces in a vise or similar hold-down device.

## **Diamond core drilling**

When performing diamond core drilling operations, always set the change lever to the  position to use "rotation only" action.

### **⚠ CAUTION:**

- If performing diamond core drilling operations using "rotation with hammering" action, the diamond core bit may be damaged.

## **MAINTENANCE**

### **⚠ CAUTION:**

- Always be sure that the tool is switched off and unplugged before attempting to perform inspection or maintenance.
- Never use gasoline, benzine, thinner, alcohol or the like. Discoloration, deformation or cracks may result.

## **Lubrication**

### **⚠ CAUTION:**

- This servicing should be performed by Makita Authorized Service Centers only.

This tool requires no hourly or daily lubrication because it has a grease-packed lubrication system. It should be lubricated regularly. Send the complete tool to Makita Authorized or Factory Service Center for this lubrication service.

To maintain product SAFETY and RELIABILITY, repairs, any other maintenance or adjustment should be performed by Makita Authorized Service Centers, always using Makita replacement parts.

# OPTIONAL ACCESSORIES

## **⚠ CAUTION:**

- These accessories or attachments are recommended for use with your Makita tool specified in this manual. The use of any other accessories or attachments might present a risk of injury to persons. Only use accessory or attachment for its stated purpose.

If you need any assistance for more details regarding these accessories, ask your local Makita Service Center.

- SDS-Plus Carbide-tipped bits
- Bull point
- Core bit
- Cold chisel
- Diamond core bit
- Hammer grease
- Scaling chisel
- Grooving chisel
- Drill chuck assembly
- Drill chuck S13
- Chuck adapter
- Chuck key S13
- Bit grease
- Side grip
- Depth gauge
- Blow-out bulb
- Dust cup
- Safety goggles
- Plastic carrying case

**NOTE:** Some items in the list may be included in the tool package as standard accessories. They may differ from country to country.

## SPECIFIKATIONER

Modell			HR3200C	HR3210C	HR3210FCT
Kapacitet	Cement	Bits med topp av tungstenskarbid	32 mm		
		Borrkrona	90 mm		
	Stål		13 mm		
	Trä		32 mm		
Obelastat varvtal (min <sup>-1</sup> )			315 - 630		
Slag per minut			1 650 - 3 300		
Längd			398 mm		424 mm
Vikt			4,8 kg	5,2 kg	5,4 kg
Säkerhetsklass			□/II		

- På grund av vårt pågående program för forskning och utveckling kan dessa specifikationer ändras utan föregående meddelande.
- Specifikationerna kan variera mellan olika länder.
- Vikt i enlighet med EPTA-procedur 01/2003

### Användningsområde

Verktyget är avsett för slagborrning i tegel, betong och sten, men även för bearbetningsarbeten.

### Strömförsörjning

Maskinen får endast anslutas till nät med spänning som anges på typplåten och med enfasig växelström. Den är dubbelisolerad i enlighet med europeisk standard och får därför också anslutas till ojordade vägguttag.

### Buller

Typiska A-vägda bullernivån är mätt enligt EN60745:

#### Modell HR3200C,HR3210C

Ljudtrycksnivå ( $L_{pA}$ ): 89 dB (A)

Ljudeffektnivå ( $L_{WA}$ ): 100 dB (A)

Måttolerans (K): 3 dB (A)

#### Modell HR3210FCT

Ljudtrycksnivå ( $L_{pA}$ ): 88 dB (A)

Ljudeffektnivå ( $L_{WA}$ ): 99 dB (A)

Måttolerans (K): 3 dB (A)

### Använd hörselskydd

### Vibration

Vibrationens totalvärde (tre-axlars vektorsumma) mätt enligt EN60745 :

#### Modell HR3200C

Arbetsläge: slagborrning i betong

Vibrationsemission ( $a_{h,HD}$ ): 18,0 m/s<sup>2</sup>

Måttolerans (K): 1,5 m/s<sup>2</sup>

Arbetsläge: bearbetning

Vibrationsemission ( $a_{h,CHeq}$ ): 12,5 m/s<sup>2</sup>

Måttolerans (K): 1,5 m/s<sup>2</sup>

Arbetsläge: borring i metall

Vibrationsemission ( $a_{h,D}$ ): 2,5 m/s<sup>2</sup> eller lägre

Måttolerans (K): 1,5 m/s<sup>2</sup>

#### Modell HR3210C

Arbetsläge: slagborrning i betong

Vibrationsemission ( $a_{h,HD}$ ): 10,0 m/s<sup>2</sup>

Måttolerans (K): 1,5 m/s<sup>2</sup>

Arbetsläge: bearbetning

Vibrationsemission ( $a_{h,CHeq}$ ): 7,5 m/s<sup>2</sup>

Måttolerans (K): 1,5 m/s<sup>2</sup>

Arbetsläge: borring i metall

Vibrationsemission ( $a_{h,D}$ ): 2,5 m/s<sup>2</sup> eller lägre

Måttolerans (K): 1,5 m/s<sup>2</sup>

#### Modell HR3210FCT

Arbetsläge: slagborrning i betong

Vibrationsemission ( $a_{h,HD}$ ): 10,0 m/s<sup>2</sup>

Måttolerans (K): 1,5 m/s<sup>2</sup>

Arbetsläge: bearbetning

Vibrationsemission ( $a_{h,CHeq}$ ): 8,0 m/s<sup>2</sup>

Måttolerans (K): 1,5 m/s<sup>2</sup>

Arbetsläge: borring i metall

Vibrationsemission ( $a_{h,D}$ ): 2,5 m/s<sup>2</sup> eller lägre

Måttolerans (K): 1,5 m/s<sup>2</sup>

**OBS:** Det deklarerade vibrationsemissionsvärdet har uppmätts i enlighet med standardtestmetoden och kan användas för jämförandet av en maskin med en annan.

**OBS:** Det deklarerade vibrationsemissionsvärdet kan också användas i preliminär bedömning av exponering för vibration.

**⚠ VARNING:** Vibrationsemissionen under faktisk användning av maskinen kan skilja sig från det deklarerade emissionsvärdet, beroende på hur maskinen används.

**⚠ VARNING:** Se till att hitta säkerhetsåtgärder som kan skydda användaren och som grundar sig på en uppskattning av exponering i verkligheten (ta med i beräkningen alla delar av användandet såsom antal gånger maskinen är avstängd och när den körs på tomgång samt då startomkopplaren används).

### Gäller endast Europa

### EU-konformitetsdeklaration

Vi Makita Corporation som ansvariga tillverkare deklarerar att följande Makita-maskin(er):

Maskinbeteckning:

Borrhämmare

Modellnr./ Typ: HR3200C,HR3210C,HR3210FCT

är för serieproduktion och

**Följer följande EU-direktiv:**  
2006/42/EC

Och är tillverkade enligt följande standarder eller standardiseringsdokument:  
EN60745

Den tekniska dokumentationen förs av vår auktoriserade representant i Europa som är:  
Makita International Europe Ltd,  
Michigan, Drive, Tongwell,  
Milton Keynes, MK15 8JD, England

30.1.2009



Tomoyasu Kato  
Director

Makita Corporation  
3-11-8, Sumiyoshi-cho,  
Anjo, Aichi, JAPAN

## Allmänna säkerhetsvarningar för maskin

**⚠ VARNING** Läs igenom alla säkerhetsvarningar och instruktioner. Underlåtenhet att följa varningar och instruktioner kan leda till elektrisk stöt, brand och/eller allvarliga personskador.

**Spara alla varningar och instruktioner för framtida referens.**

## SÄKERHETSVARNINGAR FÖR BORRHAMMARE

1. Använd hörselskydd. Kraftigt buller kan orsaka hörselskador.
2. Använd extrahandtag, om det levereras med maskinen. Att tappa kontrollen över maskinen kan leda till personskador.
3. Håll maskinen i de isolerade handtagen om det finns risk för att skärverktyget kan komma i kontakt med en dold elkabel eller sin egen kabel. Om verktyget kommer i kontakt med en strömförande ledning blir maskinens metalldelar strömförande och kan ge operatören en elektrisk stöt.
4. Använd en hård hjälm (skyddshjälm), skyddsglasögon och/eller ansiktsskydd. Vanliga glasögon och solglasögon är INTE skyddsglasögon. Du bör också bära ett dammskydd och tjockt fodrade handskar.
5. Se till att borret sitter säkert innan maskinen används.
6. Under normal användning vibrerar maskinen. Skruvarna kan lätt lossna, vilket kan orsaka maskinhaveri eller en olycka. Kontrollera att skruvarna är åtdragna innan maskinen används.
7. I kall väderlek eller när verktyget inte använts under en längre tid, bör du värma upp verktyget genom att använda det utan belastning. På detta sätt tinar insmörjningen upp. Utan uppvärmning blir det svårt att använda hammaren.
8. Se till att du hela tiden har ett säkert fotfäste. Se till att ingen står under dig när maskinen används på hög höjd.
9. Håll maskinen stadigt med båda händerna.
10. Håll händerna borta från rörliga delar.
11. Lämna inte maskinen igång. Använd endast maskinen när du håller den i händerna.

12. Rikta inte maskinen mot någon när den används. Borret kan flyga ut och skada någon allvarligt.
13. Rör inte vid borret eller närliggande delar efter användning, eftersom de kan vara extremt varma och orsaka brännskador.
14. Vissa material kan innehålla giftiga kemikalier. Se till att du inte andas in damm eller får det på huden. Följ anvisningarna i leverantörens materialsäkerhetsblad.

## SPARA DESSA ANVISNINGAR.

**⚠ VARNING: GLÖM INTE** att noggrant följa säkerhetsanvisningarna för maskinen även efter det att du har blivit van att använda den. **OVARSAM** hantering eller underlåtenhet att följa säkerhetsanvisningarna i denna bruksanvisning kan leda till allvarliga personskador.

## FUNKTIONSBESKRIVNING

### ⚠ FÖRSIKTIGT:

- Se alltid till att maskinen är avstängd och nätsladden urdragen innan du justerar eller funktionskontrollerar maskinen.

### Avtryckarens funktion

► Fig.1: 1. Avtryckarknapp

### ⚠ FÖRSIKTIGT:

- Innan du ansluter maskinen till elnätet ska du kontrollera att avtryckaren fungerar och återgår till läget "OFF" när du släpper den.

Tryck in avtryckaren för att starta maskinen. Släpp avtryckaren för att stoppa maskinen.

## Tända lamporna

### För modell HR3210FCT

► Fig.2: 1. Lampa

### ⚠ FÖRSIKTIGT:

- Titta inte in i ljuset eller direkt i ljuskällan.

Tryck in avtryckaren för att tända lampan. Släpp avtryckaren för att släcka den.

### OBS:

- Använd en torr trasa för att torka bort smuts från lampglaslet. Var försiktig så att inte lampglaslet repas eftersom ljuset då kan bli svagare.

## Hasstighetsändring

► Fig.3: 1. Justeringsratt

Varvtal och antal slag per minut kan justeras genom att vrida inställningsratten. Ratten är markerad med 1 (lägsta hastighet) till 5 (full hastighet). Se nedanstående tabellen för sambandet mellan sifferinställning på inställningsratten och varvtal/slag per minut.

Siffror på justeringsratt	Var per minut	Slag per minut
5	630	3 300
4	590	3 100
3	480	2 500
2	370	1 900
1	315	1 650

### **⚠ FÖRSIKTIGT:**

- Om maskinen används oavbrutet i låg hastighet under en lång period, blir motorn överbelastad och maskinen fungerar dåligt.
- Ratten för hastighetsinställning kan endast vridas till 5 och tillbaka till 1. Tvinga den inte förbi 5 eller 1 eftersom hastighetsinställningen då kan sättas ur funktion.

## Byte av snabbchuck för SDS-Plus

### För modell HR3210FCT

Snabbchucken för SDS-Plus kan lätt bytas ut mot snabbchucken för borrh.

### Demontage av snabbchuck för SDS-Plus

- **Fig.4:** 1. Snabbchuck för SDS-plus 2. Fästhölje 3. Chuckskydd

### **⚠ FÖRSIKTIGT:**

- Ta alltid bort borret innan snabbchucken för SDS-Plus avlägsnas.

Håll fästkåpan med tummen och långfingret, och dra den sedan i pilens (1) riktning. Med fästkåpan i detta läge håller du chuckskyddet med pekfingeret. Medan chuckskyddet hålls på detta sätt, dras snabbchucken för SDS-Plus ut i pilens (2) riktningen med ett drag.

### Fastsättning av snabbchuck för borrh


- **Fig.5:** 1. Spindel 2. Snabbchuck 3. Fästhölje

Ta tag i fästkåpan och placera snabbchucken för borrh på maskinens spindel. Kontrollera att snabbchucken för borrh sitter fast ordentligt genom att försöka dra ut den flera gånger.

## Välja arbetsläge


### Slagborrning

- **Fig.6:** 1. Låsknapp 2. Pil 3. Funktionsväljare

Tryck in låsknappen och vrid funktionsreglaget så att pekaren pekar mot symbolen  för borring i betong, murbruk osv. Använd ett borrh med hårdmetallspets.


### Endast borring

- **Fig.7:** 1. Låsknapp 2. Funktionsväljare 3. Pil

Tryck in låsknappen och vrid funktionsreglaget så att pekaren pekar mot symbolen  för borring i trä-, metall eller plastmaterial. Använd en spiralborrh eller ett träborrh.

## Endast slag

- **Fig.8:** 1. Pil 2. Funktionsväljare 3. Låsknapp

Tryck in låsknappen och rotera funktionsreglaget så att pekaren pekar mot symbolen , för huggmejslings-, spånmejslings- eller demoleringsarbete. Använd en spetsmejsel, kallmejsel, gradmejsel etc.

### **⚠ FÖRSIKTIGT:**

- Justera inte funktionsreglaget medan maskinen körs under belastning. Eftersom den då kan skadas.
- Se till att funktionsreglaget alltid står helt placerat i något av de tre funktionslägena, för att undvika en alltför snabb förslitning av funktionsmekanismen.

## Momentbegränsare

Momentbegränsaren aktiveras när ett visst vridmoment uppnås. Motorn kopplas bort från borrhskafet. När detta inträffar, slutar borret att rotera.

### **⚠ FÖRSIKTIGT:**

- Stäng genast av verktyget när momentbegränsaren aktiveras. Detta förhindrar onödigt slitage på maskinen.

## Indikatorlampa

- **Fig.9:** 1. Indikatorlampa ström PÅ (grön)  
2. Indikatorlampa service (röd)

Den gröna indikatorlampan för ström tänds när maskinen ansluts till elnätet. Om indikatorlampan inte tänds, kan det vara fel på nätsladden eller så kan kontrollen vara trasig. Om indikatorlampan lyser men maskinen inte startar även om maskinen har slagits på, kan kolborstarna vara utslitna eller så kan kontrollen, motorn eller ON/OFF-knappen vara trasig. Den röda indikatorlampan för service tänds när kolborstarna nästan är utslitna, för att indikera att maskinen behöver servas. Efter cirka 8 timmars användning kommer motorn automatiskt att slå av.

## MONTERING

### **⚠ FÖRSIKTIGT:**

- Se alltid till att maskinen är avstängd och nätsladden urdragen innan maskinen repareras.

## Sidohandtag

- **Fig.10:** 1. Sidohandtag

### **⚠ FÖRSIKTIGT:**

- Använd alltid sidohandtaget av säkerhetsskäl vid borring i betong, murbruk etc.

Sidohandtaget går att svänga åt båda hållen vilket gör det möjligt att hantera maskinen oavsett läge. Lossa sidohandtaget genom att vrida det moturs, sväng det till önskat läge och dra sedan åt genom att vrida det medurs.

## Montering eller demontering av bitar

### ► Fig.11: 1. Borrskafet 2. Smörjfett för borrh

Rengör borrhskafet och applicera smörjfett innan borret sätts i.

Sätt in borret i maskinen, vrid och skjut in det tills det fastnar.

### ► Fig.12: 1. Bits 2. Chuckskydd

Om borret inte kan tryckas in, tar du bort det. Dra ned chuckskyddet ett par gånger. Sätt sedan in borret igen, vrid och skjut in det tills det fastnar.


Kontrollera alltid efter montering att borret sitter säkert på plats, genom att försöka dra ut det.


Ta ut borret genom att trycka ner chuckskyddet hela vägen och tryck ut borret.

### ► Fig.13: 1. Bits 2. Chuckskydd

## Mejselvinkel (vid huggmejsling, gradmejsling eller demolering)

### ► Fig.14: 1. Funktionsväljare 2. Låsknapp 3. Pil

Borret kan fästas i 24 olika vinklar. Tryck in låsknappen, när du ska ändra borrets vinkel, och vrid funktionsreglaget så att pekaren pekar mot symbolen . Ändra sedan borret till önskad vinkel.

Tryck in låsknappen och rotera funktionsreglaget så att pekaren pekar mot symbolen . Kontrollera sedan att mejseln sitter säkert fast genom att vrida den något.

## Djupmätare

### ► Fig.15: 1. Djupmätare 2. Låsskruv

Djupmätaren är ett bekvämt hjälpmedel för att borra flera hål med samma djup. Lossa på klämskruven och justera djupmätare till önskat djup. Fäst klämskruven ordentligt efter justeringen.

#### OBS:

- Djupmätaren kan inte användas i läget där den slår emot växelhuset/motorhuset.

## Dammuppsamlare

### ► Fig.16: 1. Dammuppsamlare

Använd dammuppsamlaren för att förhindra att damm faller över maskinen och dig själv när du borrar över huvudet. Sätt fast dammuppsamlaren, såsom visas i figuren. Följande borrhstorlekar kan användas med dammuppsamlaren.

	Bitsdiameter
Dammuppsamlare 5	6 mm - 14,5 mm
Dammuppsamlare 9	12 mm - 16 mm

## ANVÄNDNING

#### ▲ FÖRSIKTIGT:

- Använd alltid sidohandtag (hjälpbandtag) och håll verktyget stadigt med både sidohandtag och pistolhandtag under användning.

## Slagborring

### ► Fig.17

Ställ in funktionsreglaget till symbolen .

Placera borret där hålet ska vara och tryck sedan in avtryckaren. Tryck inte hårt med maskinen. Lätt tryck ger bäst resultat. Håll maskinen i läge och hindra den från att glida iväg från hålet.

Tryck inte mer på maskinen även om hålet sätts igen av borrhspån och andra partiklar. Kör istället maskinen på tomgång och ta sedan ur borret ur hålet bit för bit. Genom att upprepa detta flera gånger rensas hålet och normal borring kan återupptas.

#### ▲ FÖRSIKTIGT:

- När borret börjar bryta igenom betong, eller om borret slå emot armeringsjärn ingjutet i betong kan maskinen kasta eller agera farligt. Upprätthåll god balans, stå säker med fötterna och håll maskinen i ett stadigt grepp med båda händerna för att undvika farliga situationer.

## Gummituta (tillbehör)

### ► Fig.18: 1. Gummituta

Efter borring av hålet används gummitutan för att blåsa rent hålet.

## Huggmejsling/gradmejsling/demolering

### ► Fig.19

Ställ in funktionsreglaget till symbolen .

Håll maskinen stadigt med båda händerna. Starta maskinen och håll fast den så att den inte studsar omkring okontrollerat. Det är inte mer effektivt att trycka extremt hårt på maskinen.

## Borring i trä eller metall


### ► Fig.20: 1. Chuckadapter 2. Borrchuck utan nyckel

### ► Fig.21: 1. Spindel 2. Snabbchuck 3. Fästhölje

### ► Fig.22: 1. Hylsa 2. Ring

## För modell HR3200C, HR3210C

Använd den separata borrchucktillsatsen. För montering, se "Montering eller demontering av borrh" på föregående sida.

Ställ funktionsreglaget så att pekaren pekar mot symbolen .

## För modell HR3210FCT

Använd snabbchucken för borrh som standardutrustning. För montering, se "utbyte av snabbchuck till SDS-Plus" på föregående sida.

Håll i ringen och vrid hylsan moturs för att öppna chucken. Skjut in borret i chocken så långt det går. Håll fast ringen ordentligt och vrid hylsan medurs för att dra åt chocken. När du ska ta bort borret håller du i ringen och vrider hylsan moturs.


Ställ in funktionsreglaget mot symbolen .

Du kan borra upp till 13 mm diameter i metall och upp till 32 mm diameter i trä.

### **⚠ FÖRSIKTIGT:**

- Använd aldrig "slagborrning" när snabbchucken för borr är monterad på verktyget. Snabbchucken för borr kan då skadas.
- Borrningen går inte fortare för att du trycker hårdare på maskinen. Detta extra tryck skadar bara toppen på ditt borr, sänker maskinens prestanda och förkortar maskinens livslängd.
- Det utvecklas ett kraftigt vridande moment på maskinen/borret vid hålgenomslaget. Håll ett stadigt tag i maskinen och var försiktig när borret börjar tränga igenom arbetsstycket.
- Fäst alltid små arbetsstycken i ett stöd eller liknande infästningsenhet.

## Borrning med diamantrona

Ställ alltid funktionsreglaget till läget  för att använda funktionen "endast borrning", när borrning med diamantrona skall genomföras.

### **⚠ FÖRSIKTIGT:**

- Om borrning med diamantrona genomförs i funktionsläget "slagborrning", kan borret med diamantrona skadas.

## UNDERHÅLL

### **⚠ FÖRSIKTIGT:**

- Se alltid till att maskinen är avstängd och nätkabeln utdragen innan inspektion eller underhåll utförs.
- Använd inte bensen, thinner, alkohol eller liknande. Missfärgning, deformation eller sprickor kan uppstå.

## Smörjning

### **⚠ FÖRSIKTIGT:**

- Denna service skall endast utföras av ett auktoriserat Makita servicecenter.

Denna maskin kräver ingen smörjning varje timme eller dagligen eftersom den har ett smörjsystem. Den ska smörjas regelbundet. Skicka hela maskinen till ett auktoriserat Makita servicecenter för denna smörjning. För att upprätthålla produktens SÄKERHET och TILLFÖRLITLIGHET bör allt underhålls- och justeringsarbete utföras av ett auktoriserat Makita servicecenter och med reservdelar från Makita.

## VALFRIA TILLBEHÖR

### **⚠ FÖRSIKTIGT:**

- Dessa tillbehör och tillsatser rekommenderas för användning tillsammans med den Makita-maskin som denna bruksanvisning avser. Om andra tillbehör eller tillsatser används kan det uppstå risk för personskador. Använd endast tillbehören eller tillsatserna för de syften de är avsedda för.

Kontakta ditt lokala Makita servicecenter om du behöver ytterligare information om dessa tillbehör.

- SDS-Plus borr med hårdmetallspets
- Spetsmejsel
- Borrkrona
- Kallmejsel
- Borr med diamantrona
- Smörjolja till hammare
- Gradmejsel
- Spårmejsel
- Borrchucksats
- Borrchuck S13
- Chuckadapter
- Chucknyckel S13
- Smörjfett för borr
- Sidohandtag
- Djupmätare
- Gummituta
- Dammuppsamlare
- Skyddsglasögon
- Förvaringsväska av plast

**OBS:** Några av tillbehören i listan kan vara inkluderade i maskinpaketet som standardtillbehör. De kan variera mellan olika länder.

## TEKNISKE DATA

Modell			HR3200C	HR3210C	HR3210FCT
Kapasitet	Betong	Bits med wolframkarbidspiss	32 mm		
		Kjernebor	90 mm		
	Stål		13 mm		
	Tre		32 mm		
Ubelastet turtall (min <sup>-1</sup> )			315 - 630		
Slag per minutt			1 650 - 3 300		
Total lengde			398 mm		424 mm
Nettovekt			4,8 kg	5,2 kg	5,4 kg
Sikkerhetsklasse			□/II		

- Som følge av vårt kontinuerlige forsknings- og utviklingsprogram kan de tekniske dataene endres uten ytterligere forvarsel.
- Tekniske data kan variere fra land til land.
- Vekt i henhold til EPTA-prosedyre 01/2003

### Beregnet bruk

Denne maskinen er laget for å slagbore i murstein, betong og stein samt meiselarbeid.

### Strømforsyning

Maskinen må bare kobles til en strømkilde med samme spenning som vist på typeskiltet, og kan bare brukes med enfase-vekselstrømforsyning. Det er dobbelt verneisoleret i samsvar med europeiske standarder, og kan derfor også brukes i kontakter uten jordledning.

### Støy

Typisk A-vektet lydtryknivå er bestemt i henhold til EN60745:

#### Modell HR3200C,HR3210C

Lydtryknivå ( $L_{pA}$ ): 89 dB (A)  
Lydeffektnivå ( $L_{WA}$ ): 100 dB (A)  
Usikkerhet (K): 3 dB (A)

#### Modell HR3210FCT

Lydtryknivå ( $L_{pA}$ ): 88 dB (A)  
Lydeffektnivå ( $L_{WA}$ ): 99 dB (A)  
Usikkerhet (K): 3 dB (A)

### Bruk hørselvern

### Vibrasjon

Den totale vibrasjonsverdien (triaksial vektorsum) bestemt i henhold til EN60745:

#### Modell HR3200C

Arbeidsmåte: boring med slagbor i betong  
Genererte vibrasjoner ( $a_{h,HD}$ ): 18,0 m/s<sup>2</sup>  
Usikkerhet (K): 1,5 m/s<sup>2</sup>  
Arbeidsmåte: meisling  
Genererte vibrasjoner ( $a_{h,CHeg}$ ): 12,5 m/s<sup>2</sup>  
Usikkerhet (K): 1,5 m/s<sup>2</sup>  
Arbeidsmåte: boring i metall  
Genererte vibrasjoner ( $a_{h,D}$ ): 2,5 m/s<sup>2</sup> eller mindre  
Usikkerhet (K): 1,5 m/s<sup>2</sup>

#### Modell HR3210C

Arbeidsmåte: boring med slagbor i betong  
Genererte vibrasjoner ( $a_{h,HD}$ ): 10,0 m/s<sup>2</sup>  
Usikkerhet (K): 1,5 m/s<sup>2</sup>

Arbeidsmåte: meisling

Genererte vibrasjoner ( $a_{h,CHeg}$ ): 7,5 m/s<sup>2</sup>

Usikkerhet (K): 1,5 m/s<sup>2</sup>

Arbeidsmåte: boring i metall

Genererte vibrasjoner ( $a_{h,D}$ ): 2,5 m/s<sup>2</sup> eller mindre

Usikkerhet (K): 1,5 m/s<sup>2</sup>

#### Modell HR3210FCT

Arbeidsmåte: boring med slagbor i betong

Genererte vibrasjoner ( $a_{h,HD}$ ): 10,0 m/s<sup>2</sup>

Usikkerhet (K): 1,5 m/s<sup>2</sup>

Arbeidsmåte: meisling

Genererte vibrasjoner ( $a_{h,CHeg}$ ): 8,0 m/s<sup>2</sup>

Usikkerhet (K): 1,5 m/s<sup>2</sup>

Arbeidsmåte: boring i metall

Genererte vibrasjoner ( $a_{h,D}$ ): 2,5 m/s<sup>2</sup> eller mindre

Usikkerhet (K): 1,5 m/s<sup>2</sup>

**MERK:** Den angitte verdien for de genererte vibrasjonene er blitt målt i samsvar med standardtestmetoden og kan brukes til å sammenlikne et verktøy med et annet.

**MERK:** Den angitte verdien for de genererte vibrasjonene kan også brukes til en foreløpig vurdering av eksponeringen.

**⚠ ADVARSEL:** De genererte vibrasjonene ved faktisk bruk av elektroverktøyet kan avvike fra den oppgitte vibrasjonsverdien, avhengig av hvordan verktøyet brukes.

**⚠ ADVARSEL:** Vær påpasselig med å finne sikkerhetstiltak som beskytter operatøren, basert på en oppfatning av risiko under faktiske bruksforhold (på bakgrunn av alle sider ved brukssyklusen, som når verktøyet slås av og når det går på tomgang, i tillegg til oppstarten).



## Gjelder bare land i Europa

### EF-samsvarserklæring

Som ansvarlig produsent erklærer Makita Corporation at følgende Makita-maskin(er):

Maskinbetegnelse:

Borhammer

Modellnr./type: HR3200C,HR3210C,HR3210FCT er serieprodusert og

**Samsvarer med følgende europeiske direktiver:**  
2006/42/EC

Og er produsert i samsvar med følgende standarder eller standardiserte dokumenter:

EN60745

Den tekniske dokumentasjonen oppbevares hos vår autoriserte representant i Europa, som er:

Makita International Europe Ltd.

Michigan Drive, Tongwell,

Milton Keynes, MK15 8JD, England

30.1.2009



Tomoyasu Kato  
Direktør

Makita Corporation  
3-11-8, Sumiyoshi-cho,  
Anjo, Aichi, JAPAN

### Generelle advarsler angående sikkerhet for elektroverktøy

**⚠ADVARSEL** Les alle sikkerhetsadvarslene og alle instruksjonene. Hvis du ikke følger alle advarslene og instruksjonene som er oppført nedenfor, kan det føre til elektriske støt, brann og/eller alvorlige helseskader.

**Oppbevar alle advarsler og instruksjoner for senere bruk.**

### SIKKERHETSADVARSLER FOR SLAGBOR

1. **Bruk hørselsvern.**Høy lyd kan forårsake redusert hørsel.
2. **Bruk hjelpehåndtak, hvis det (de) følger med maskinen.** Hvis maskinen kommer ut av kontroll, kan det resultere i helseskader.
3. **Hold maskinen i det isolerte håndtaket når skjæreverktøyet kan komme i kontakt med skjulte ledninger eller maskinens egen ledning under arbeidet.** Hvis skjæreverktøyet får kontakt med strømførende ledninger, vil uisolerte metall-deler av maskinen bli strømførende og kunne gi brukeren elektrisk støt.
4. **Bruk hjelm, vernebriller og/eller ansiktsmaske.** Vanlige briller eller solbriller er IKKE vernebriller. Det anbefales også på det sterkeste å bruke støvmaske og kraftig polstrede hansker.
5. **Vær sikker på at meiselen er skikkelig festet før du starter maskinen.**

6. **Verktøyet er laget slik at det vil vibrere under vanlig bruk.** Skruene kan lett løsne, noe som kan forårsake et maskinsammenbrudd eller en ulykke. Før bruk må du derfor kontrollere grundig at skruene ikke er løse.
7. **I kaldt vær, eller når verktøyet ikke har vært i bruk på lenge, må du varme opp verktøyet ved å la det gå en stund uten belastning.** Dette vil myke opp smøremiddelet. Hvis maskinen ikke er skikkelig oppvarmet, vil det være vanskelig å bruke hammeren.
8. **Forviss deg alltid om at du har godt fotfeste.** Forviss deg om at ingen står under deg når du jobber høyt over bakken.
9. **Hold maskinen fast med begge hender.**
10. **Hold hendene unna bevegelige deler.**
11. **Ikke gå fra verktøyet mens det er i gang.** Verktøyet må bare brukes mens operatøren holder det i hendene.
12. **Ikke pek med verktøyet mot personer i nærheten mens det er i bruk.** Bitset kan fly ut og skade noen alvorlig.
13. **Ikke berør boret eller meiselen eller deler i nærheten av boret eller meiselen umiddelbart etter at maskinen har vært i bruk, da disse kan være ekstremt varme og kan gi brannskader.**
14. **Enkelte materialer inneholder kjemikalier som kan være giftige.** Treff tiltak for å hindre hudkontakt og innånding av støv. Følg leverandørens sikkerhetsanvisninger.

### TA VARE PÅ DISSE INSTRUKSENE.

**⚠ADVARSEL:** Selv om du har brukt produktet mye og føler deg fortlroilig med det, er det likevel svært viktig at du følger nøye de retningslinjene for sikkerhet som er utarbeidet for dette produktet. MISBRUK av verktøyet eller mislighold av sikkerhetsreglene i denne brukerhåndboken kan resultere i alvorlige helseskader.

# FUNKSJONSBEKRIVELSE

## **FORSIKTIG:**

- Forviss deg alltid om at maskinen er slått av og støpselet trukket ut av kontakten før du justerer maskinen eller kontrollerer dens mekaniske funksjoner.

## Bryterfunksjon

► Fig.1: 1. Startbryter

## **FORSIKTIG:**

- Før du kobler maskinen til strømmettet, må du alltid kontrollere at startbryteren aktiverer maskinen på riktig måte og går tilbake til "AV"-stilling når den slippes.

Trykk på startbryteren for å starte verktøyet. Slipp startbryteren for å stoppe verktøyet.

## Tenne lampene

### For modell HR3210FCT

► Fig.2: 1. Lampe

## **FORSIKTIG:**

- Ikke se inn i lyset eller se direkte på lyskilden.

Tenn lampen ved å trykke på startbryteren. Slå den av ved å slippe startbryteren.

## **MERK:**

- Bruk en tørr klut til å tørke støv osv. av lampelinsen. Vær forsiktig så det ikke blir riper i lampelinsen, da dette kan redusere lysstyrken.

## Turtallsending

► Fig.3: 1. Innstillingshjul

Dreinger og slag i minuttet kan justeres med justeringsskiven. Skiven er merket med 1 (laveste hastighet) til 5 (topphastighet).

I tabellen under kan du se forholdet mellom tallinnstillingene på justeringsskiven og slag i minuttet.

Tall på justeringsskive	Runder per minutt	Slag per minutt
5	630	3 300
4	590	3 100
3	480	2 500
2	370	1 900
1	315	1 650

## **FORSIKTIG:**

- Hvis verktøyet brukes lenge og kontinuerlig ved lavt turtall, vil motoren bli overbelastet og slutte å virke som den skal.
- Turtallsinnstillingshjulet kan kun dreies til 5 og så tilbake til 1. Ikke prøv å dreie det forbi 5 eller 1, ellers kan det hende at turtallsinnstillingen slutter å virke.

## Skifte hurtigskiftskjoksen til SDS-pluss

### For modell HR3210FCT

Hurtigskiftskjoksen til SDS-pluss kan enkelt skiftes med hurtigskiftsborekjoksen.

### Fjerne hurtigskiftskjoksen til SDS-pluss

► Fig.4: 1. Hurtigskiftskjoks for SDS-pluss 2. Endre deksel 3. Kjoksdeksel

## **FORSIKTIG:**

- Før du fjerner hurtigkoblingskjoksen for SDS-pluss, må du alltid fjerne bitset.

Hold endringsdekslet med tommelen og langfingeren og trekk det i retning av pil 1. Når endringsdekslet er trukket i den retningen, må du holde kjoksdekslet med pekefingeren. Når du holder kjoksdekslet på denne måten, må du trekke ut hurtigkoblingskjoksen for SDS-pluss i retning av pil 2 med én bevegelse.

### Montere hurtigskiftsborekjoksen

► Fig.5: 1. Spindel 2. Hurtigskiftsborekjoks 3. Endre deksel


Grip endringsdekslet og plasser hurtigkoblingskjoksen på spindelen til maskinen.

Forviss deg om at hurtigkoblingskjoksen er festet godt, ved å trekke i den flere ganger.

## Velge en funksjon


### Slagborfunksjon

► Fig.6: 1. Sperreknapp 2. Pil 3. Endringsspak

Når du skal bore i betong, mur osv., må du trykke inn sperreknappen og dreie funksjonsvelgeren til pilen peker på  -symbolet. Bruk et verktøy med wolframkarbidspiss.

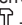
### Bare rotasjon

► Fig.7: 1. Sperreknapp 2. Endringsspak 3. Pil

Når du skal bore i tre, metall eller plastmaterialer, må du trykke inn sperreknappen og stille funksjonsvelgeren så pilen peker mot  -symbolet. Bruk et spiralbor eller trebor.

### Bare slag

► Fig.8: 1. Pil 2. Endringsspak 3. Sperreknapp

For meisling, pikking eller brekking, trykk inn sperreknappen og drei funksjonsvelgeren slik at den peker på  -symbolet. Bruk en spissmeisel, flatmeisel, bredmeisel osv.

## **FORSIKTIG:**

- Ikke vri på funksjonsvelgeren mens verktøyet kjøres med belastning. Maskinen blir ødelagt.
- For å unngå hurtig slitasje av funksjonsvelgermekanismen, må du passe på at funksjonsvelgeren alltid er gått sikkert i inngrep i en av de tre funksjonsstillingene.

## Momentbegrenser

Momentbegrenseren aktiveres når et bestemt momentnivå blir nådd. Motoren vil da frikoble seg fra utgående aksel. Når dette skjer, vil boret slutte å rotere.

### **⚠️FORSIKTIG:**

- Så snart momentbegrenseren aktiveres, må du slå av verktøyet straks. Dette vil hjelpe deg til å unngå at verktøyet blir for tidlig slitt.

## Indikatorlampe

- **Fig.9:** 1. Indikatorlampe (grønn) for strøm ON (på) 2. Serviceindikatorlampe (rød)

Den grønne indikatorlampen "Strøm PÅ" tennes når verktøyet er plagget inn. Hvis indikatorlampen ikke tennes, kan det være feil på strømledningen eller kontrolleren. Hvis indikatorlampen er tent, men maskinen ikke starter selv om den er skrudd på, kan kullbørstene være nedslitt, eller det kan være en defekt på kontrolleren, motoren eller ON/OFF-knappen. Den røde serviceindikatorlampen lyser når kullbørstene er nesten helt nedslitt for å vise at maskinen trenger service. Etter ca. 8 timers bruk, kobles motoren ut automatisk.

## MONTERING

### **⚠️FORSIKTIG:**

- Forviss deg alltid om at maskinen er slått av og støpselet trukket ut av kontakten før du utfører noe arbeid på maskinen.

## Støttehåndtak

- **Fig.10:** 1. Støttehåndtak

### **⚠️FORSIKTIG:**

- Bruk alltid støttehåndtaket som sikkerhet under boring i betong, mur, osv.

Støttehåndtaket kan svinges til begge sider, og gjør det enkelt å håndtere verktøyet i alle stillinger. Løsne støttehåndtaket ved å vri det mot klokken, sving det til ønsket posisjon og stram det ved å vri det med klokken.

## Montere eller demontere bits

- **Fig.11:** 1. Bitsskaff 2. Bitsfett

Rengjør meiselskaffet og påfør fett før du monterer meiselen. Sett inn meiselen i verktøyet. Vri og skyv på meiselen inntil den sitter.

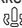
- **Fig.12:** 1. Bits 2. Kjoksdeksel


Hvis meiselen ikke kan skyves inn, må du ta den ut igjen. Trekk ned kjoksdekslet et par ganger. Sett inn meiselen igjen. Vri og skyv på meiselen inntil den sitter. Etter montering må du alltid forvise deg om at meiselen sitter godt ved å prøve å trekke den ut. Ta ut meiselen ved å trekke kjoksdekslet helt ned og dra ut meiselen.

- **Fig.13:** 1. Bits 2. Kjoksdeksel

## Bitsvinkel (ved meisling, pikking eller brekking)

- **Fig.14:** 1. Endringsspak 2. Sperreknapp 3. Pil

Verktøyet kan festes i 24 forskjellige vinkler. For åendre bitsvinkelen må du trykke inn sperreknappen og dreie funksjonsvelgeren til den peker på -symbolet. Dreie verktøyet til ønsket vinkel.

Trykk inn sperreknappen og dreie funksjonsvelgeren slik at den peker på -symbolet. Deretter må du dreie meiselen litt for å forvise deg om at det sitter godt.

## Dybdemåler

- **Fig.15:** 1. Dybdemåler 2. Klemskruer

Dybdemåleren er praktisk ved boring av flere hull med samme dybde. Løsne klemskruen og juster dybdemåleren til ønsket dybde. Etter justering må klemskruen strammes godt.

### **MERK:**

- Dybdemåleren kan ikke brukes i en stilling hvor måleren treffer girhuset.

## Støvkopp

- **Fig.16:** 1. Støvkopp

Bruk støvbeholderen til å unngå støv på verktøyet og deg selv når du borer med verktøyet over hodet. Fest støvbeholderen til boret, som vist på figuren. Støvkoppen kan festes til følgende borstørrelser:

	Bitsdiameter
Støvkopp 5	6 mm - 14,5 mm
Støvkopp 9	12 mm - 16 mm

## BRUK

### **⚠️FORSIKTIG:**

- Bruk alltid støttehåndtaket, og hold maskinen støtt med både støttehåndtak og hovedhåndtak når du bruker den.

## Slagborfunksjon

- **Fig.17**

Still funksjonsvelgeren inn på -symbolet.

Plasser boret der du vil bore hullet, og trykk så på startbryteren. Ikke bruk makt. Lett trykk gir de beste resultatene. Hold verktøyet i riktig posisjon og sørg for at det ikke glir bort fra hullet.

Ikke legg mer press på det når hullet fylles av biter eller partikler. I stedet må du la verktøyet gå på tomgang, og deretter ta boret delvis ut av hullet. Ved å gjenta dette flere ganger, vil hullet rengjøres, og normal boring kan gjenopptas.

### **⚠️FORSIKTIG:**

- Idet boret er i ferd med å bryte igjennom betongen, eller hvis det treffer armeringsjern i betongen, kan det slå ut på en farlig måte. Sørg for å ha god balanse og stabilt fotfeste mens du holder verktøyet i sikkert grep med begge hender for å forhindre farlige reaksjoner.


## Utblåsningsballong (tilleggsutstyr)

- **Fig.18:** 1. Utblåsningsballong

Etter at du har boret et hull, må du bruke utblåsningsballongen til å fjerne støv fra hullet.

## Meisling/avskalling/nedring

### ► Fig.19

Still funksjonsvelgeren på  -symbolet. Hold maskinen fast med begge hender. Slå på maskinen og legg lett trykk på det, slik at det ikke beveger seg ukontrollert. Å presse veldig hardt på verktøyet vil bare gjøre det mindre effektivt.


## Boring i treverk eller metall

### ► Fig.20: 1. Kjonsadapter 2. Nøkkelfri borekjoks

### ► Fig.21: 1. Spindel 2. Hurtigskiftsborekjoks 3. Endre deksel

### ► Fig.22: 1. Mansjett 2. Ring


## For modell HR3200C og HR3210C

Bruk borekjoksmodulen (tilleggsutstyr). Når du monterer den, må du slå opp under "Montere eller fjerne boret", som er beskrevet på forrige side. Still funksjonsvelgeren slik at pilen peker på  -symbolet.

## For modell HR3210FCT

Bruke hurtigskiftsborekjoksen som standardutstyr. Når du monterer den, må du slå opp under "Skifte hurtigskiftskjoksen til SDS-plus", som er beskrevet på forrige side.


Hold ringen og skru hylsen mot klokken for å åpne kjevener på kjoksen. Sett boret så langt inn i kjoksen som mulig. Hold ringen godt fast og skru hylsen med klokken for å stramme kjoksen. For å fjerne boret må du holde ringen og vri hylsen mot klokken.

Still inn funksjonsvelgeren på  -symbolet. Du kan bore inntil 13 mm diameter i metall inntil 32 mm diameter i treverk.

### **▲FORSIKTIG:**

- Slagborfunksjonen må ikke brukes når hurtigkoblingskjoksen er montert på maskinen. Hurtigkoblingskjoksen kan bli skadet.
- Hvis du bruker for mye kraft på verktøyet, vil det ikke øke borehastigheten. Overdreven bruk av kraft vil tvert imot kunne bidra til å ødelegge spissen av boret, redusere verktøyeffekten og forkorte verktøyets levetid.
- I gjennombruddsøyeblikket virker det en enorm vrikraft på verktøyet/bitset. Hold verktøyet i et fast grep, og vær forsiktig når boret begynner å bryte gjennom arbeidsstykket.
- Små arbeidsstykker må alltid festes med en skrustikke eller en liknende festeanordning.

## Diamantkjerneboring

Ved diamantkjerneboring, sett alltid funksjonsvelgeren til  -stillingen for å bruke "bare rotasjon"-funksjonen.

### **▲FORSIKTIG:**

- Hvis du foretar diamantkjerneboring på "slagbor"-funksjonen, kan diamantkjorboret bli skadet.

## VEDLIKEHOLD

### **▲FORSIKTIG:**

- Forviss deg alltid om at maskinen er slått av og støpselet trukket ut av kontakten før du foretar inspeksjon eller vedlikehold.
- Aldri bruk gasolin, bensin, tynner alkohol eller lignende. Det kan føre til misfarging, deformering eller sprekkdannelse.

## Smøring

### **▲FORSIKTIG:**

- Denne servicen må bare gjøres av autoriserte Makita servicesentre.

Dele verktøyet trenger ikke å smøres hver time eller hver dag, fordi det har et smørefettsystem. Det bør smøres på nytt regelmessig. Send hele verktøyet til et autorisert Makita serviceverksted eller fabrikkserviceverksted for denne smøreservicen. For å opprettholde produktets SIKKERHET og PÅLITELIGHET, må reparasjoner, vedlikehold og justeringer utføres av autoriserte Makita serviceverksteder, og det må alltid brukes reservedeler fra Makita.

## VALGFRITT TILBEHØR

### **▲FORSIKTIG:**

- Det anbefales at du bruker dette tilbehøret eller verktøyet sammen med den Makita-maskinen som er spesifisert i denne håndboken. Bruk av annet tilbehør eller verktøy kan forårsake helseskader. Tilbehør og verktøy må kun brukes til det formålet det er beregnet på.

Ta kontakt med ditt lokale Makita-servicesenter hvis du trenger mer informasjon om dette tilbehøret.

- SDS-Plus-bits med karbidspiss
- Spissmeisel
- Kjernebor
- Flatmeisel
- Diamantkjernebor
- Hammerfett
- Bredmeisel
- Spormeisel
- Borekjoksmodul
- Borekjoks S13
- Kjonsadapter
- Kjonsnøkkel S13
- Meiselfett
- Støttehåndtak
- Dybdemåler
- Utblåsningsballong
- Støvkopp
- Vernebriller
- Verktøykoffert av plast

**MERK:** Enkelte elementer i listen kan være inkludert som standardtilbehør i verktøypakken. Elementene kan variere fra land til land.

## TEKNISET TIEDOT

Malli			HR3200C	HR3210C	HR3210FCT
Teho	Betoni	Volframi- karbidikärjellä varustettu terä	32 mm		
		Timanttiorantera	90 mm		
	Teräs		13 mm		
	Puu		32 mm		
	Kuormittamaton nopeus (min <sup>-1</sup> )			315 - 630	
Lyöntiä minuutissa			1 650 - 3 300		
Kokonaispituus			398 mm		424 mm
Nettopaino			4,8 kg	5,2 kg	5,4 kg
Turvallisuusluokka			□/II		

- Jatkuvan tutkimus- ja kehitysohjelman vuoksi pidätämme oikeuden muuttaa tässä mainittuja teknisiä ominaisuuksia ilman ennakoimattomista.
- Tekniset ominaisuudet saattavat vaihdella eri maissa.
- Paino EPTA-menetelmän 01/2003 mukaan

### Käyttötarkoitus

Työkalu on tarkoitettu tiilen, betonin ja kiven vasaraporaukseen sekä piikkaamiseen.

### Virransyöttö

Laitteen saa kytkeä ainoastaan virtalähteeseen, jonka jännite on sama kuin tyyppikilvessä ilmoitettu. Laitetta voidaan käyttää ainoastaan yksivaiheisella vaihtovirralla. Laitte on kaksinkertaisesti suojaeristetty eurooppalaisten standardien mukaisesti, ja se voidaan tästä syystä liittää maadoittamattomaan pistorasiaan.

### Melutaso

Tyypillinen A-painotettu melutaso määräytyy EN60745-standardin mukaan:

#### Malli HR3200C,HR3210C

Äänenpainetaso ( $L_{pA}$ ): 89 dB (A)

Äänitehotaso ( $L_{WA}$ ): 100 dB (A)

Virhemarginaali (K): 3 dB (A)

#### Malli HR3210FCT

Äänenpainetaso ( $L_{pA}$ ): 88 dB (A)

Äänitehotaso ( $L_{WA}$ ): 99 dB (A)

Virhemarginaali (K): 3 dB (A)

### Käytä kuulosuojaimia

### Tärinä

Värähtelyn kokonaisarvo (kolmiakselivektorin summa) on määritelty EN60745mukaan:

#### Malli HR3200C

Työmenetelmä: betonin iskuporaaminen

Tärinäpäästö ( $a_{h,HD}$ ): 18,0 m/s<sup>2</sup>

Virhemarginaali (K): 1,5 m/s<sup>2</sup>

Työmenetelmä: piikkaaminen

Tärinäpäästö ( $a_{h,CHeq}$ ): 12,5 m/s<sup>2</sup>

Virhemarginaali (K): 1,5 m/s<sup>2</sup>

Työtila: metalliin poraus

Tärinäpäästö ( $a_{h,D}$ ): 2,5 m/s<sup>2</sup> tai vähemmän

Virhemarginaali (K): 1,5 m/s<sup>2</sup>

### Malli HR3210C

Työmenetelmä: betonin iskuporaaminen

Tärinäpäästö ( $a_{h,HD}$ ): 10,0 m/s<sup>2</sup>

Virhemarginaali (K): 1,5 m/s<sup>2</sup>

Työmenetelmä: piikkaaminen

Tärinäpäästö ( $a_{h,CHeq}$ ): 7,5 m/s<sup>2</sup>

Virhemarginaali (K): 1,5 m/s<sup>2</sup>

Työtila: metalliin poraus

Tärinäpäästö ( $a_{h,D}$ ): 2,5 m/s<sup>2</sup> tai vähemmän

Virhemarginaali (K): 1,5 m/s<sup>2</sup>

### Malli HR3210FCT

Työmenetelmä: betonin iskuporaaminen

Tärinäpäästö ( $a_{h,HD}$ ): 10,0 m/s<sup>2</sup>

Virhemarginaali (K): 1,5 m/s<sup>2</sup>

Työmenetelmä: piikkaaminen

Tärinäpäästö ( $a_{h,CHeq}$ ): 8,0 m/s<sup>2</sup>

Virhemarginaali (K): 1,5 m/s<sup>2</sup>

Työtila: metalliin poraus

Tärinäpäästö ( $a_{h,D}$ ): 2,5 m/s<sup>2</sup> tai vähemmän

Virhemarginaali (K): 1,5 m/s<sup>2</sup>

**HUOMAA:** Ilmoitettu tärinäpäästöarvo on mitattu standarditestausten mukaisesti, ja sen avulla voidaan vertailla työkaluja keskenään.

**HUOMAA:** Ilmoitettua tärinäpäästöarvoa voidaan käyttää myös altistumisen alustavaan arviointiin.

**VAROITUS:** Työkalun käytön aikana mitattu todellinen tärinäpäästöarvo voi poiketa ilmoitetusta tärinäpäästöarvosta työkalun käyttötavan mukaan.

**VAROITUS:** Selvitä käyttäjän suojaamiseksi tarvittavat varoitimet todellisissa käyttöolosuhteissa tapahtuvan arvioidun altistumisen mukaisesti (ottaen huomioon käyttöajaksi kokonaisuudessaan, myös jaksot, joiden aikana työkalu on sammutettuna tai käy tyhjäkäynnillä).

## Koskee vain Euroopan maita

### VAKUUTUS EC-VASTAAVUUDESTA

Vastuullinen valmistaja Makita Corporation ilmoittaa vastaavansa siitä, että seuraava(t) Makitan valmistama(t) kone(et):

Koneen tunnistetiedot:

Poravasara

Mallinro/Tyyppi: HR3200C,HR3210C,HR3210FCT

ovat sarjavalmistettuja ja

Täyttävät seuraavien eurooppalaisten direktiivien vaatimukset:

2006/42/EC

Ja että ne on valmistettu seuraavien standardien tai standardoitujen asiakirjojen mukaisesti:

EN60745

Teknisen dokumentaation ylläpidosta vastaa valtuutettu

Euroopan-edustajamme, jonka yhteystiedot ovat:

Makita International Europe Ltd.

Michigan Drive, Tongwell,

Milton Keynes, MK15 8JD, England

30.1.2009



Tomoyasu Kato

Johtaja

Makita Corporation

3-11-8, Sumiyoshi-cho,

Anjo, Aichi, JAPAN

### Sähkötyökalujen käyttöä koskevat varoitukset

**VAROITUS** Lue kaikki turvallisuusvaroitukset ja käyttöohjeet. Varoitusten ja ohjeiden noudattamatta jättäminen voi johtaa sähköiskuuun, tulipaloon ja/tai vakavaan vammautumiseen.

**Säilytä varoitukset ja ohjeet tulevaa käyttöä varten.**

### PORAVASARAN TURVALLISUUSOHJEET

- Pidä kuulosuojaimia.** Melulle altistuminen voi aiheuttaa kuulokyvyn heikentymistä.
- Käytä työkalun mukana mahdollisesti toimitettua lisäkahvaa tai -kahvoja.** Hallinnan menetys voi aiheuttaa henkilövahinkoja.
- Pidä sähkötyökalua sen eristetyistä tartuntapinnoista silloin, kun on mahdollista, että sen terä saattaa osua piilossa oleviin johtoihin tai koneen omaan virtajohtoon.** Jos leikkaustyökalu joutuu kosketukseen jännitteisen johdon kanssa, jännite voi siirtyä työkalun sähköä johtaviin metalliosiin ja aiheuttaa käyttäjälle sähköiskun.
- Käytä kovaa päähinettä (suojakypärää), suojalaseja ja/tai kasvosuojusta.** Tavalliset silmä- tai aurinkolasit EIVÄT ole suojalaseja. Myös hengityssuojaimen ja paksujen käsineiden käyttö on suositeltavaa.

- Varmista ennen työskentelyn aloittamista, että terä on kiinnitetty tiukasti paikoilleen.**
- Laite on suunniteltu siten, että se värisee normaalikäytössä.** Ruuvit voivat irrota hyvinkin helposti aiheuttaen laitteen rikkoutumisen tai onnettomuuden. Tarkista ruuvien kireys huolellisesti ennen kuin käytät laitetta.
- Jos ilma on kylmä tai konetta ei ole käytetty pitkään aikaan, anna sen lämmetä jonkin aikaa tyhjäkäynnillä.** Tämä tehostaa laitteen voitelua. Vasarointi voi olla hankalaa ilman asianmukaista esilämmitystä.
- Varmista aina, että seisot tukevasti.** Jos työskentelet korkealla, varmista, ettei ketään ole alapuolella.
- Pidä työkalua tiukasti molemmiin käsiin.**
- Pidä kädet poissa liikkuvien osien luota.**
- Älä jätä konetta käymään itseksensä.** Käytä laitetta vain silloin, kun pidät sitä kädessä.
- Älä osoita laitteella ketään, kun käytät sitä.** Terä saattaa lennähtää irti ja aiheuttaa vakavan loukkaantumisen.
- Älä kosketa terää tai sen lähellä olevia osia välittömästi käytön jälkeen, sillä ne voivat olla erittäin kuumia ja aiheuttaa palovammoja.**
- Jotkin materiaalit sisältävät kemikaaleja, jotka voivat olla myrkyllisiä.** Huolehdi siitä, että pölyn sisäänhengittäminen ja ihokosketus estetään. Noudata materiaalin toimittajan turvaohjeita.

### SÄILYTÄ NÄMÄ OHJEET.

**VAROITUS:** ÄLÄ anna työkalun helppokäyttöisyyden tai toistuvan käytön tuudittaa sinua väärään turvallisuuden tunteeseen niin, että laiminlyöt työkalun turvaohjeiden noudattamisen. **VÄÄRINKÄYTTÖ** tai tämän käyttöohjeen turvamääräysten laiminlyönti voi johtaa vakaviin henkilövahinkoihin.

# TOIMINTOJEN KUVAUS

## ⚠️HUOMIO:

- Varmista aina ennen koneen säätöjen ja toiminnallisten tarkistusten tekemistä, että kone on sammutettu ja irrotettu pistorasiasta.

## Kytkimen käyttäminen

- **Kuva1:** 1. Liipaisinkytkin

## ⚠️HUOMIO:

- Tarkista aina ennen työkalun liittämistä virtalähteeseen, että liipaisinkytkin kytketty oikein ja palaa asentoon OFF, kun se vapautetaan.

Käynnistä työkalu painamalla liipaisinkytkintä. Laite pysäytetään vapauttamalla liipaisinkytkin.

## Lamppujen sytyttäminen

### Malliin HR3210FCT

- **Kuva2:** 1. Lamppu

## ⚠️HUOMIO:

- Älä katso suoraan lamppuun tai valonlähteeseen.

Kytke lamppu päälle vetämällä kytkinvipua. Sammuta se vapauttamalla liipaisin.

## HUOMAA:

- Pyyhi lika pois lampun linssistä kuivalla liinalla. Älä naarmuta lampun linssiä, ettei valoteho laske.

## Nopeuden muuttaminen

- **Kuva3:** 1. Säätöpyörä

Kierrokset ja puhallukset minuutissa voidaan säätää säätöpyörää kiertämällä. Pyörä on merkitty 1:stä (matalin nopeus) 5:een (maksiminopeus).

Katso alhaalla olevaa taulukkoa säätöpyörän numeroasetusten ja kierroksen/puhalluksen per minuutti välisistä suhteista.

Säätöpyörän numero	Kierrosta minuutissa	Lyöntiä minuutissa
5	630	3 300
4	590	3 100
3	480	2 500
2	370	1 900
1	315	1 650

## ⚠️HUOMIO:

- Jos työkalua käytetään jatkuvasti pitkään matalalla nopeudella, moottori ylikuormittuu aiheuttaen työkalun häiriön.
- Nopeussäädintä voi kääntää vain asentoon 5 tai asentoon 1 ja saakka. Älä pakota sitä asennon 5 tai 1 ohi, koska nopeudensäätötoiminto saattaa lakata toimimasta.

## Nopeavaihtoistukan SDS-plus vaihtaminen

### Malliin HR3210FCT

Pikavaihtoistukka SDS-plus:aan voidaan vaihtaa helposti pikaporavaihtoistukkaan.

### Nopeavaihtoistukan SDS-plus poisto

- **Kuva4:** 1. Pikavaihtoistukka SDS-plus:aan  
2. Vaihtokansi 3. Istukan suojus

## ⚠️HUOMIO:

- Ennen kuin poistat SDS-plus-pikavaihtoistukan, poista se.

Pida vaihtosuojusta peukalon ja etusormen välissä ja vedä sitä nuolen 1 suuntaan. Kun vaihtosuojus on nuolen suunnassa, pitele istukan suojusta etusormella. Kun istukan suojus on tässä asennossa, vedä SDS-plus-pikavaihtoistukka ulos nuolen 2 suuntaisesti.

### Pikaporan vaihtoistukan kiinnittäminen

- **Kuva5:** 1. Kara 2. Pikavaihtoporaistukka  
3. Vaihtokansi


Tartu vaihtosuojukseen ja aseta pikaporanistukka koneen karaan.

Varmista, että pikaporanistukka on kunnolla kiinni vetämällä sitä muutaman kerran.

## Toimintatavan valitseminen


### Poraus iskutoiminnolla

- **Kuva6:** 1. Lukituspainike 2. Osoitin 3. Vaihtovipu

Betonia, tiiliseinää tms. poratessa paina lukkonappi alas ja kierrä valintavipua siten, että osoitin osoittaa  -symboliin. Käytä volframi-kovametalliterää.


### Vain poraus

- **Kuva7:** 1. Lukituspainike 2. Vaihtovipu 3. Osoitin

Jos haluat porata esimerkiksi puuta, metallia tai muovia, paina lukituspainiketta alas ja käännä valintavipu osoittamaan  -symbolia. Käytä kieräporanterää tai puuterää.

### Vain iskutoiminto

- **Kuva8:** 1. Osoitin 2. Vaihtovipu 3. Lukituspainike

Jos haluat piikata, kuoria tai purkaa rakenteita, paina lukkonappia alas ja kierrä vaihtovipua siten, että osoitin osoittaa  symboliin. Käytä piikkaukseen lattatalltaa, kylmätalltaa, kuorimistalltaa tms.

## ⚠️HUOMIO:

- Älä pyöritä vaihtokytkintä, kun työkalu on käynnissä ja kuormitettuna. Työkalu voi rikkoutua.
- Voit estää toimintatavan valintamekanismin kulumisen varmistamalla, että valintavipu on aina selvästi jossakin kolmesta toimintatavan asennosta.

## Vääntömomentin rajoitin

Vääntömomentin rajoitin aktivoituu, kun vääntömomentti saavuttaa tietyn tason. Tällöin moottori kytketty irti käyttöakselista. Samalla terä lakkaa pyörimästä.

### **▲HUOMIO:**

- Sammuta pora heti, kun vääntömomentin rajoitin kytketty päälle. Näin voidaan ehkäistä työkalun liian nopea kuluminen.

## **Merkkivalo**

- **Kuva9:** 1. Tehon ON-merkkilamppu (vihreä)  
2. Huoltomerkkilamppu (punainen)

Vihreän virran ON-merkkivalo syttyy, kun työkalu on tulpattu PÄÄLLE. Jos merkkivalo ei syty, virtajohto tai ohjain saattaa olla viallinen. Merkkivalo palaa mutta työkalu ei käynnisty, vaikka se on kytketty päälle, hiiliharjat saattavat olla kuluneet tai ohjain, moottori tai ON/OFF kytkin saattaa olla voittunut. Punaisen palvelulampun valo syttyy, kun hiiliharjat ovat lähes täysin kuluneet, viitaten siihen, että työkalu on huollon tarpeessa. Noin 8 tunnin käytön jälkeen, moottori sammuu automaattisesti.

## **KOKOONPANO**

### **▲HUOMIO:**

- Varmista aina ennen koneelle tehtäviä toimenpiteitä, että kone on sammutettu ja irrotettu pistorasiasta.

## **Sivukahva**

- **Kuva10:** 1. Sivukahva

### **▲HUOMIO:**

- Käytä aina sivukahvaa varmistaaksesi toiminnan turvallisuus, kun poraat betonia, tiiliseinää, jne.

Sivukahvaa voi liikuttaa puolelta toiselle, joten koneen käsittely on helppoa työskentelyasennosta riippumatta. Löysää sivukahva kiertämällä sitä vastapäivään, käännä kahva haluamaasi asentoon ja kiristä kiertämällä sitä myötäpäivään.

## **Terän kiinnitys ja irrotus**

- **Kuva11:** 1. Terän varsi 2. Terärasva

Puhdista terän varsi ja sivele vähän terärasvaa ennen terän kiinnittämistä.


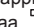
Työnnä terä työkaluun. Käännä terää ja työnnä sitä, kunnes se kiinnittyy paikoilleen.

- **Kuva12:** 1. Kärki 2. Istukan suojus

Jos terää ei voi työntää sisään, irrota se. Vedä istukan suojusta alaspäin muuttaman kerran. Laita sitten terä takaisin paikoilleen. Käännä terää ja työnnä sitä, kunnes se kiinnittyy paikoilleen. Varmista aina, että terä on kunnolla kiinni yrittämällä vetää sitä irti. Irrota terä painamalla istukan suojus täysin alas ja vetämällä terä irti.

- **Kuva13:** 1. Kärki 2. Istukan suojus

## **Teräkulma (piikatessa, kuoriessa ja rakenteita rikottaessa)**

- **Kuva14:** 1. Vaihtovipu 2. Lukituspainike 3. Osoitin
- Terän kiinnitysasentoja on 24. Voit vaihtaa terän kulmaa painamalla lukituspainiketta alas ja kiertämällä vaihtovipua siten, että osoitin osoittaa  -symboliin. Kierrä terä haluttuun kulmaan. Paina lukkonappi alas ja pyöritä vaihtovipua siten, että osoitin osoittaa  symboliin. Varmista sitten kevyesti

kiertämällä, että terä on tiukasti paikoillaan.

## **Syvyystulkki**

- **Kuva15:** 1. Syvyystulkki 2. Kiristysruuvi

Syvyystulkki on kätevä apuväline, kun halutaan porata saman syvyisiä reikiä. Löysennä kiristysruuvia ja säädä syvyystulkki haluttuun syvyyteen. Säädön jälkeen kiristä kiristysruuvi lujasti.

### **HUOMAA:**

- Syvyystulkkia ei voida käyttää asennossa, jossa se ottaa vaihdelaatikkoon/moottorin runkoon.

## **Pölysuojus**

- **Kuva16:** 1. Pölysuojus

Pölysuojus estää pölyn pääsyn laitteeseen ja suojaa poraajaa, kun porataan yläpuolella olevia kohteita. Kiinnitä pölysuojus terään kuvan osoittamalla tavalla. Pölysuojus voidaan kiinnittää seuraavaan kokosiin teriin.

	Terän halkaisija
Pölykupu 5	6 mm - 14,5 mm
Pölykupu 9	12 mm - 16 mm


## **TYÖSKENTELY**

### **▲HUOMIO:**

- Käytä aina sivukahvaa (apukahvaa) ja pidä työkalusta tiukasti toinen käsi sivukahvalla ja toinen pääkahvalla työskentelyn aikana.

## **Iskuporaus**

- **Kuva17**

Aseta vaihtovipu  symboliin. Aseta poranteriä haluttuun kohtaan ja paina liipaisinkytkintä. Älä käytä tarpeetonta voimaa. Kevyt paine takaa parhaan lopputuloksen. Pidä työkalu asemassaan ja estä sen liukumista pois aukosta. Älä käytä tarpeetonta voimaa, kun aukko tukkeutuu lastuilla ja osasilla. Anna sen sijaan koneen käydä hetki joutokäynnillä ja vedä terä osittain ulos riestä. Toista tämä useamman kerran, jolloin reikä puhdistuu, ja voit jatkaa poraamista.

### **▲HUOMIO:**

- Kun terä alkaa puhkaista betonin tai jos terä iskeytyy betoniin upotettuihin lujitusraudoitukseen, työkalu saattaa reagoida vaarallisella tavalla. Pidä yllä hyvä tasapaino ja turvallinen asento samalla työkalua molemmin käsin pitäen, vaarallisten reaktioiden välttämiseksi.


## **Puhallin (valinnainen lisälaitte)**

- **Kuva18:** 1. Puhallin

Porauksen jälkeen puhdista pöly riestä puhaltimella.

## **Piikkaus/Kuorinta/Purkutyo**

- **Kuva19**

Aseta vaihtovipu  symboliin. Pidä laitteesta lujasti molemmin käsin. Käynnistä työkalu ja paina sitä kevyesti niin, että se ei pompi hallitsemattomasti ympäriinsä. Työkalun voimakas painaminen ei lisää sen tehokkuutta.




## Poraus puuhun tai metalliin


- ▶ **Kuva20:** 1. Istukan sovitin 2. Kiilaton poraistukka
- ▶ **Kuva21:** 1. Kara 2. Pikavaihtoporaistukka  
3. Vaihtokansi
- ▶ **Kuva22:** 1. Holkki 2. Rengas

## Malleihin HR3200C, HR3210C

Käytä lisävarusteena toimitettavaa teräistukkaa. Katso asentaessa edellisellä sivulla olevassa "Terän kiinnitys ja irrotus" kohdassa annettuja ohjeita.

Aseta vaihtonappi siten, että osoitin osoittaa  symboliin.


## Malliin HR3210FCT

Käytä pikavaihdon poraistukkaa vakiovarusteena. Katso asentaessa edellisellä sivulla olevassa "pikavaihtoistukan vaihto SDS-plus:alle" kohdassa annettuja ohjeita. Avaa istukan leuat kääntämällä holkkia vastapäivään pitäen samalla rengasta paikallaan. Työnnä kärki/terä niin syväälle istukkaan kuin se menee. Kiristä istukan leuat kääntämällä holkkia myötäpäivään pitäen samalla rengasta paikallaan. Irrota kärki/terä kääntämällä holkkia vastapäivään pitäen samalla rengasta paikallaan. Käännä valintavipu osoittamaan  -symbolia. Voit porata halkaisijaltaan 13 mm:n asti metalliin ja halkaisijaltaan 32 mm:n asti puuhun.

### **HUOMIO:**

- Älä koskaan poraa iskutoiminnolla, kun pikaporanistukka on asennettuna työkaluun. Pikaporanistukka voi vaurioitua.
- Työkalun painaminen liian voimakkaasti ei nopeuta poraamista. Pääinvastoin: liiallinen paine vain tylsyyttää porantää, hidastaa työtä ja lyhentää työkalun käyttöikää.
- Työkaluun/terään kohdistuu valtava kääntövoima, kun terä menee läpi. Pidä työkalu tukevassa otteessa ja ole varovainen, kun terä alkaa tulla läpi työkappaleesta.
- Kiinnitä pienet työkappaleet aina viilapenkkiin tai vastaavaan pidikkeeseen.

## Timanttiporanterällä poraus

Kun poraat timanttiporanterällä, aseta aina vaihtovipu  asentoon, ainoastaan poraustoimintaan.

### **HUOMIO:**

- Jos poraat timanttiporanterällä iskutoiminnalla poraten, timanttiporanterä voi vahingoittua.

## KUNNOSSAPITO

### **HUOMIO:**

- Varmista aina ennen tarkastuksia ja huoltotöitä, että laite on kone on sammutettu ja irrotettu virtalähteestä.
- Älä koskaan käytä bensiiniä, ojentimia, alkoholia tai tms. aineita. Muutoin pinta voi halkeilla tai sen värit ja muoto voivat muuttua.

## Voitelu

### **HUOMIO:**

- Tämä huoltotoimenpide tulisi suorittaa ainoastaan Makitan valtuutetussa huoltopisteessä.

Tämä työkalu ei vaadi tunnittaista tai päivittäistä voitelua, koska siinä on rasvapakattu voitelujärjestelmä. Se täytyy uudelleen voidella säännöllisesti. Lähetä koko työkalu voideltavaksi Makitan valtuuttamaan tai tehtaan huoltopisteeseen.

Koneen TURVALLISUUDEN ja LUOTETTAVUUDEN säilyttämiseksi korjaukset sekä muut huoltotoimet ja säädöt on jätettävä Makitan valtuuttaman huollon tehtäväksi käyttäen aina Makitan alkuperäisiä varaosia.

## LISÄVARUSTEET

### **HUOMIO:**

- Näitä lisävarusteita ja -laitteita suositellaan käytettäväksi tässä ohjekirjassa mainitun Makitan koneen kanssa. Minkä tahansa muun lisävarusteen tai -laitteen käyttäminen voi aiheuttaa loukkaantumisaarua. Käytä lisävarusteita ja -laitteita vain niiden käyttötarkoituksen mukaisesti.

Jos tarvitset apua tai yksityiskohtaisempia tietoja seuraavista lisävarusteista, ota yhteys paikalliseen Makitan huoltoon.

- SDS-Plus-volframi-karbidikärjellä varustetut terät
- Lattatalta
- Timanttiporanterä
- Kylmätalta
- Timanttiporanterä
- Vasararasva
- Kuorimistalta
- Kourutalta
- Teräistukkalaite
- Teräistukka S13
- Istukan sovitin
- Istukan avain S13
- Terärasva
- Sivukahva
- Syvyystulkki
- Puhallin
- Pölysuojus
- Suojalasit
- Muovinen kantolaukku

**HUOMAA:** Jotkin luettelossa mainitut varusteet eivät sisälly työkalun toimitukseen vakiovarusteina. Ne voivat vaihdella maittain.

## SPECIFIKĀCIJAS

Modelis			HR3200C	HR3210C	HR3210FCT
Urbšanas jauda	Betons	Ar volframa karbīdu stiegrots uzgalis	32 mm		
		Kroņurbis	90 mm		
	Tērauds		13 mm		
	Koksne		32 mm		
Apģriezieni minūtē bez slodzes (min <sup>-1</sup> )			315 - 630		
Triecienu minūtē			1 650 - 3 300		
Kopējais garums			398 mm		424 mm
Neto svars			4,8 kg	5,2 kg	5,4 kg
Drošības klase			□/II		

- Dēļ mūsu nepārtrauktās pētniecības un izstrādes programmas, šeit dotās specifikācijas var mainīties bez brīdinājuma.
- Atkarība no valsts specifikācijas var atšķirties.
- Svārs atbilstoši EPTA-Procedure 01/2003

### Paredzētā lietošana

Šis darbarīks ir paredzēts triecienuurbšanai ķieģeļos, betonā un akmēnī, kā arī kalšanai.

### Barošana

Šo instrumentu jāpieslēdz tikai datu plāksnītē uzrādītā sprieguma barošanas avotam; to iespējams darbināt tikai ar vienfāzes maiņstrāvas barošanu. Tiem ir divkāršā izolācija saskaņā ar Eiropas standartu, tāpēc tos var izmantot bez zemējuma.

### Troksnis

Tipiskais A-svērtais trokšņa līmenis ir noteikts saskaņā ar EN60745:

#### Modelis HR3200C, HR3210C

Skaņas spiediena līmenis ( $L_{pA}$ ): 89 dB (A)

Skaņas jaudas līmenis ( $L_{WA}$ ): 100 dB (A)

Neskaidrība (K): 3 dB (A)

#### Modelis HR3210FCT

Skaņas spiediena līmenis ( $L_{pA}$ ): 88 dB (A)

Skaņas jaudas līmenis ( $L_{WA}$ ): 99 dB (A)

Neskaidrība (K): 3 dB (A)

### Lietojiet ausu aizsargus

### Vibrācija

Vibrācijas kopējā vērtība (trīs asu vektora summa) noteikta saskaņā ar EN60745:

#### Modelis HR3200C

Darba režīms: triecienuurbšana betonā

Vibrācijas emisija ( $a_{h,HD}$ ): 18,0 m/s<sup>2</sup>

Neskaidrība (K): 1,5 m/s<sup>2</sup>

Darba režīms: kalšana

Vibrācijas emisija ( $a_{h,CHeg}$ ): 12,5 m/s<sup>2</sup>

Neskaidrība (K): 1,5 m/s<sup>2</sup>

Darba režīmu: urbšanu metālā

Vibrācijas emisija ( $a_{h,D}$ ): 2,5 m/s<sup>2</sup> vai mazāk

Neskaidrība (K): 1,5 m/s<sup>2</sup>

#### Modelis HR3210C

Darba režīms: triecienuurbšana betonā

Vibrācijas emisija ( $a_{h,HD}$ ): 10,0 m/s<sup>2</sup>

Neskaidrība (K): 1,5 m/s<sup>2</sup>

Darba režīms: kalšana

Vibrācijas emisija ( $a_{h,CHeg}$ ): 7,5 m/s<sup>2</sup>

Neskaidrība (K): 1,5 m/s<sup>2</sup>

Darba režīmu: urbšanu metālā

Vibrācijas emisija ( $a_{h,D}$ ): 2,5 m/s<sup>2</sup> vai mazāk

Neskaidrība (K): 1,5 m/s<sup>2</sup>

#### Modelis HR3210FCT

Darba režīms: triecienuurbšana betonā

Vibrācijas emisija ( $a_{h,HD}$ ): 10,0 m/s<sup>2</sup>

Neskaidrība (K): 1,5 m/s<sup>2</sup>

Darba režīms: kalšana

Vibrācijas emisija ( $a_{h,CHeg}$ ): 8,0 m/s<sup>2</sup>

Neskaidrība (K): 1,5 m/s<sup>2</sup>

Darba režīmu: urbšanu metālā

Vibrācijas emisija ( $a_{h,D}$ ): 2,5 m/s<sup>2</sup> vai mazāk

Neskaidrība (K): 1,5 m/s<sup>2</sup>

**PIEZĪME:** Paziņotā vibrācijas emisijas vērtība noteikta atbilstoši standarta pārbaudes metodei un to var izmantot, lai salīdzinātu vienu darbarīku ar citu.

**PIEZĪME:** Paziņoto vibrācijas emisijas vērtību arī var izmantot iedarbības sākotnējā novērtējumā.

**▲BRĪDINĀJUMS:** Reāli lietojot mehanizēto darbarīku, vibrācijas emisija var atšķirties no paziņotās emisijas vērtības atkarībā no darbarīka izmantošanas veida.

**▲BRĪDINĀJUMS:** Lai aizsargātu lietotāju, nosakiet drošības pasākumus, kas pamatoti ar iedarbību reālos darba apstākļos (ņemot vērā visus ekspluatācijas cikla posmus, piemēram, laiku, kamēr darbarīks ir izslēgts un kad darbojas tukšgaitā, kā arī palaišanas laiku).

### Tikai Eiropas valstīm

## EK Atbilstības deklarācija

Mēs, uzņēmums „Makita Corporation”, kā atbildīgs ražotājs paziņojam, ka sekojošais/-ie „Makita” darbarīks/-i:

Darbarīka nosaukums:

Perforators

Modeļa nr./ Veids: HR3200C, HR3210C, HR3210FCT  
ir sērijas ražojums un

## Atbilst sekojošām Eiropas Direktīvām:

2006/42/EC

Un tas ražots saskaņā ar sekojošiem standartiem vai standarddokumentiem:

EN60745

Tehnisko dokumentāciju uztur mūsu pilnvarots pārstāvis Eiropā - „Makita International Europe Ltd”, Michigan Drive, Tongwell, Milton Keynes, MK 15 8JD, Anglija

30.1.2009



Tomoyasu Kato  
Direktors

"Makita Corporation"  
3-11-8, Sumiyoshi-cho,  
Anjo, Aichi, JAPĀNA

## Vispārējie mehanizēto darbarīku drošības brīdinājumi

**▲BRĪDINĀJUMS** Izlasiet visus drošības brīdinājumus un visus norādījumus. Brīdinājumu un norādījumu neievērošanas gadījumā var rasties elektriskās strāvas trieciens, ugunsgrēks un/vai nopietnas traumas.

**Glabājiet visus brīdinājumus un norādījumus, lai varētu tajos ieskatīties turpmāk.**

## DROŠĪBAS BRĪDINĀJUMI PERFORATORA LIETOŠANAI

1. Izmantojiet ausu aizsargus. Troksnis var izraisīt dzirdes zaudējumu.
2. Izmantojiet ar darbarīku piegādātos papildu rokturus. Kontroles zaudēšanas gadījumā var gūt ievainojumus.
3. Veicot darbu, turiet mehanizēto darbarīku aiz izolētājām satveršanas virsmām, ja griešanas instruments varētu saskarties ar apslēptu elektroinstalāciju vai ar savu vadu. Ja griešanas instruments saskarsies ar vadu, kurā ir strāva, visas darbarīka ārējās metāla virsmas vadīs strāvu un radīs elektriskās strāvas trieciena risku.
4. Izmantojiet cietu cepuri (aizsargķiveri), aizsargbrilles un/vai sejas aizsargmasku. Parastās brilles vai saulesbrilles NAV aizsargbrilles. Ļoti ieteicams izmantot arī putekļu masku un biezas, polsterētus cimdus.
5. Pirms sākt darbu pārbaudiet, vai uzgalis ir nostiprināts savā vietā.
6. Ir paredzēts, ka normālas darbības laikā darbarīks rada vibrāciju. Skrūves var viegli atskrūvēties, izraisot bojājumu vai negadījumu. Pirms sākt darbu uzmanīgi pārbaudiet, vai skrūves ir cieši pieskrūvētas.
7. Aukstos laika apstākļos vai tad, ja darbarīku neesat izmantojis ilgu laiku, ļaujiet darbarīkam nedaudz iesilt, darbinot to bez slodzes. Tas atvieglos darbarīka ieeļļošanu. Bez pienācīgas iesildīšanas, ir grūti veikt kalšanu.
8. Nodrošiniet, lai jums vienmēr būtu labs atbalsts kājām. Ja lietojat darbarīku augstumā, pārliecinieties, ka apakšā neviena nav.
9. Stingri turiet darbarīku ar abām rokām.
10. Netuviniet rokas kustīgajām daļām.

11. Neatstājiet ieslēgtu darbarīku. Darbiniet darbarīku vienīgi tad, ja turat to rokās.
12. Darba laikā nevērsiet darbarīku pret tuvumā esošām personām. Uzgalis var aizlidot un kādu smagi ievainot.
13. Nepieskarieties uzgalim vai uzgaļa tuvumā esošajām daļām tūlīt pēc darba veikšanas; tie var būt ļoti karsti un var apdedzināt ādu.
14. Daži materiāli satur ķīmiskas vielas, kuras var būt toksiskas. Izvairieties no putekļu ieelpošanas un to nokļūšanas uz ādas. Ievērojiet materiāla piegādātāja drošības datus.

## SAGLABĀJIET ŠOS NORĀDĪJUMUS.

**▲BRĪDINĀJUMS:** NEZAUDĒJIET modrību darbarīka lietošanas laikā (tas var gadīties pēc darbarīka daudzkārtējas izmantošanas), rūpīgi ievērojiet urbšanas drošības noteikumus šim izstrādājumam. NEPAREIZAS LIETOŠANAS vai šīs rokasgrāmatas drošības noteikumu neievērošanas gadījumā var gūt smagas traumas.

## FUNKCIJU APRAKSTS

### ▲UZMANĪBU:

- Pirms regulējiet vai pārbaudiet instrumenta darbību, vienmēr pārliecinieties, vai instruments ir izslēgts un atvienots no barošanas.

## Slēdža darbība

- Att.1: 1. Slēdža mēlīte

### ▲UZMANĪBU:

- Pirms instrumenta pieslēgšanas vienmēr pārbaudiet, vai slēdža mēlīte darbojas pareizi un atgriežas izslēgtā stāvoklī, kad tiek atlaista.

Lai iedarbinātu darbarīku, vienkārši pavelciet slēdža mēlīti. Lai apturētu darbarīku, atlaidiet slēdža mēlīti.

## Lampu ieslēgšana

### Modelim HR3210FCT

- Att.2: 1. Lampa

### ▲UZMANĪBU:

- Neskatieties gaismā, neļaujiet tās avotam iespiēdēt acīs.

Lai ieslēgtu lampu, pavelciet mēlīti. Atlaidiet mēlīti, lai izslēgtu.

### PIEZĪME:

- Ar sausu lupatiņu noslaukiet neīrimumus no lampas lēcas. Izvairieties saskrāpēt lampas lēcu, jo tādējādi tiek samazināts apgaismojums.

## Ātruma regulēšana

- Att.3: 1. Regulēšanas ciparripa

Apgrīezienu un triecienu skaitu minūtē var noregulēt, tikai pagriežot ātruma regulēšanas ciparripu. Uz ciparripas ir atzīmes no 1 (zemākais ātrums) līdz 5 (maksimālais ātrums).

Saistību starp cipara iestatījumu uz regulēšanas ciparripas un apgriezīgu/trīcīgu skaitu minūtē skatiet šai tabulā.

Cipars uz regulēšanas ciparripas	Apgriezīgu minūtē	Trīcīgu minūtē
5	630	3 300
4	590	3 100
3	480	2 500
2	370	1 900
1	315	1 650

### **UZMANĪBU:**

- Ja darbarīku regulāri ilgstoši darbināsi ar mazu ātrumu, dzinējs pārkarīs, tādējādi sabojājot darbarīku.
- Ātruma regulēšanas skala var tikt griezta tikai no 1 līdz 5. Nemēģiniet ar spēku to pagriezt tālāk, tā varat sabojāt instrumentu.

## **SDS-plus ātrās nomaņas spīļpatronas maiņa**

### **Modelim HR3210FCT**

SDS-plus ātrās nomaņas spīļpatronu var viegli nomainīt pret ātrās nomaņas urbja spīļpatronu.

## **SDS-plus ātrās nomaņas spīļpatronas noņemšana**

- **Att.4:** 1. SDS-plus ātrās nomaņas spīļpatrona  
2. Maiņas aizsargs 3. Spīļpatronas aizsargs

### **UZMANĪBU:**

- Pirms SDS-plus ātrās nomaņas spīļpatronas noņemšanas vienmēr izņemiet uzgali.

Turiet maiņas vāku ar īkšķi un vidējo pirkstu un ievielci to virzienu rādītājbulītiņā 1. Kad maiņas vāks ir ievilkts šajā virzienā, turiet spīļpatronas vāku ar rādītājpirkstu. Šādi turot spīļpatronas vāku, vienā rāvienā izraujiet SDS-plus ātrās nomaņas spīļpatronu rādītājbulītiņas 2 virzienā.


## **Ātrās nomaņas urbja spīļpatronas pievienošana**

- **Att.5:** 1. Vārpsta 2. Ātrās nomaņas urbja spīļpatrona 3. Maiņas aizsargs

Satveriet maiņas vāku un novietojiet ātrās nomaņas urbja spīļpatronu uz darbarīka vārpstas. Pārliecinieties, ka ātrās nomaņas urbja spīļpatrona ir nostiprināta, to vairākas reizes paraujot.

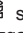
## **Darba režīma izvēle**

### **Trīcīgurbšana**

- **Att.6:** 1. Fiksācijas poga 2. Rādītājs 3. Maiņas svira  
Urbšanai betonā, mūrējumā u.c. nospiediet bloķēšanas pogu un pagrieziet darba režīma maiņas sviru tā, lai rādītājs būtu vērstš pret  simbolu. Izmantojiet ar volframa karbīdu stiegotu uzgali.


## **Parasta urbšana**

- **Att.7:** 1. Fiksācijas poga 2. Maiņas svira 3. Rādītājs

Urbšanai kokā, metālā vai plastmasā nospiediet bloķēšanas pogu un pagrieziet darba režīma maiņas sviru tā, lai rādītājs būtu vērstš pret  simbolu. Izmantojiet spirālurbja uzgali vai kokurbja uzgali.

## **Parasta kalšana**

- **Att.8:** 1. Rādītājs 2. Maiņas svira 3. Fiksācijas poga

Atšķelšanai, materiālu noņemšanai vai atskaldīšanai nospiediet bloķēšanas pogu un pagrieziet darba režīma maiņas sviru tā, lai rādītājs būtu vērstš pret  simbolu. Izmantojiet punktsti, metāla kaltu, materiālu noņemšanas kaltu u.c.

### **UZMANĪBU:**

- Negrieziet darba režīma maiņas sviru, kamēr darbarīks darbojas ar slodzi. Tādējādi sabojāsi darbarīku.
- Lai režīma maiņas mehānisms ātri nenolietotos, pārliecinieties, vai darba režīma maiņas svira vienmēr precīzi atrodas vienā no trim darba režīma stāvokļiem.

## **Griezes momenta ierobežotājs**

Griezes momenta ierobežotājs ieslēgsies, kad būs sasniegts noteikts griezes momenta līmenis. Dzinējs atslēgsies nost no dzenamās vārpstas. Ja tā notiks, urbja uzgali pārstās griezties.

### **UZMANĪBU:**

- Tiklīdz ieslēdzas griezes momenta ierobežotājs, nekavējoties izslēdziet darbarīku. Tādējādi novērsīsiet priekšlaicīgu darbarīka nolietošanu.

## **Indikatora lampiņa**

- **Att.9:** 1. Indikatora lampiņa - barošana IESLĒGTA (zaļa) 2. Eksploatācijas indikatora lampiņa (sarkana)

Zajā indikatora lampiņa - barošana IESLĒGTA - iedegas, kad darbarīks ir pievienots barošanas avotam. Ja indikatora lampiņa neiedegas, var būt bojāts strāvas vads vai regulators. Ja indikatora lampiņa deg, taču darbarīks nesāk darboties, pat ja tas ir ieslēgts, var būt nolietojušās ogles sukas vai var būt bojāts regulators, dzinējs vai ON/OFF (ieslēgts/izslēgts) slēdzis. Sarkana eksploatācijas indikatora lampiņa iedegas, kad ogles sukas ir gandrīz nolietojušās, un tā norāda, ka darbarīkam nepieciešama apkope. Pēc apmēram 8 eksploatācijas stundām dzinējs automātiski izslēdzas.

## **MONTĀŽA**

### **UZMANĪBU:**

- Vienmēr pārliecinieties, vai instruments ir izslēgts un atvienots no barošanas, pirms veicat jebkādas darbības ar instrumentu.

## Sānu rokturis

► **Att.10:** 1. Sānu rokturis

### ⚠UZMANĪBU:

- Urbjot betonā, mūrējumā, u.c., vienmēr izmantojiet sānu rokturi, lai garantētu darba drošību.

Sānu rokturi var pagriezt uz abām pusēm, nodrošinot vieglu darbarīka izmantošanu jebkurā stāvoklī. Atskrūvējiet sānu rokturi, griežot to pretēji pulksteņrādītāja virzienam, pagriežiet to vēlamajā stāvoklī un pēc tam pieskrūvējiet, griežot to pulksteņrādītāja virzienā.

## Uzgaļa uzstādīšana vai noņemšana

► **Att.11:** 1. Uzgaļa kāts 2. Uzgaļu smērviela

Pirms uzgaļa uzstādīšanas notīriet uzgaļa kātu un ieeļļojiet to ar uzgaļu smērvielu. Ievietojiet uzgali darbarīkā. Pagrieziet uzgali un iespiediet to iekšā, līdz tas nofiksējas.

► **Att.12:** 1. Urbis 2. Spīļpatronas aizsargs

Ja uzgali nevar iespiest iekšā, izņemiet to. Pāris reizes pavelciet spīļpatronas aizsargu uz leju. Pēc tam vēlreiz ievietojiet uzgali. Pagrieziet uzgali un iespiediet to iekšā, līdz tas nofiksējas.


Pēc uzstādīšanas, mēģinot uzgali izvilkt ārā, vienmēr pārliecinieties, vai tas stingri turas tam paredzētajā vietā.

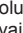
Lai izņemtu uzgali, pavelciet spīļpatronas aizsargu pilnībā uz leju un izvelciet uzgali.

► **Att.13:** 1. Urbis 2. Spīļpatronas aizsargs

## Uzgaļu leņķis (atšķelšanai, materiālu noņemšanai vai atskaldīšanai)

► **Att.14:** 1. Maiņas svira 2. Fiksācijas poga 3. Rādītājs

Uzgali iespējams nostiprināt 24 dažādos leņķos. Lai mainītu uzgaļa leņķi, nospiediet bloķēšanas pogu un pagrieziet darba režīma maiņas sviru tā, lai rādītājs būtu vērstš pret  simbolu. Pagrieziet uzgali vēlamajā leņķī.

Nospiediet bloķēšanas pogu un pagrieziet darba režīma maiņas sviru tā, lai rādītājs būtu vērstš pret  simbolu. Pēc tam, nedaudz pagriežot uzgali, pārliecinieties, vai tas stingri turas tam paredzētajā vietā.

## Dzījumērs

► **Att.15:** 1. Dzījumērs 2. Aptveres skrūve

Dzījumērs ir noderīgs vienāda dzijuma caurumu urbšanā. Atskrūvējiet spīļējuma skrūvi un noregulējiet dzījumēru uz vēlamo dzijumu. Pēc regulēšanas stingri pieskrūvējiet spīļējuma skrūvi.

### PIEZĪME:

- Dzījumēru nevar izmantot tādā stāvoklī, kad tas pieskaras zobratu korpusam vai dzinēja korpusam.

## Putekļu piltuve

► **Att.16:** 1. Putekļu piltuve

Urbjot virs galvas līmeņa, izmantojiet putekļu piltuvi, lai putekļi nekristu uz darbarīka un jums. Piestipriniet putekļu piltuvi pie uzgaļa, kā attēlots zīmējumā. Uzgaļu izmērs, pie kuriem var piestiprināt putekļu piltuvi, ir šāds.

	Uzgaļa diametrs
Putekļu piltuve 5	6 mm - 14,5 mm
Putekļu piltuve 9	12 mm - 16 mm


## EKSPLUATĀCIJA

### ⚠UZMANĪBU:

- Darba laikā vienmēr izmantojiet sānu rokturi (palīgrokturi) un stingri turiet darbarīku aiz abiem sānu rokturiem un slēdža roktura.

## Triecienu urbšana

► **Att.17**

Uzstādi darba režīma maiņas sviru uz  simbolu. Novietojiet uzgali caurumam vajadzīgajā vietā, pēc tam pavelciet slēdža mēlīti. Nelietojiet darbarīku ar spēku. Vislabāko rezultātu iespējams panākt ar vieglu spiedienu. Stingri turiet darbarīku un neļaujiet tam izslīdēt no cauruma.

Nespiediet to pārāk daudz, kad caurums aizsprostojies ar skaidām vai materiāla daļiņām. Gluži otrādi, darbiniet darbarīku tukšgaitā, tad daļēji izvelciet uzgali no cauruma. Kad šī darbība vairākkārt būs veikta, caurums būs iztīrīts, un varēsiet atsākt normālu urbšanu.

### ⚠UZMANĪBU:

- Uzglaim sākot izlauzties cauri betonam vai pieskaroties stiegotajiem trieciensieniem betonā, darbarīkam var būt bīstama reakcija. Stingri turiet darbarīku ar abām rokām, saglabājiet līdzsvaru un drošu atbalstu kājām, lai novērstu bīstamu situāciju.


## Caurpūtes bumbiere (fakultatīvs piederums)

► **Att.18:** 1. Caurpūtes bumbiere

Pēc cauruma izurbšanas izmantojiet caurpūtes bumbieri, lai iztīrītu putekļus no cauruma.

## Atšķelšana/materiālu noņemšana/atskaldīšana


► **Att.19**

Uzstādi darba režīma maiņas sviru uz  simbolu. Turiet darbarīku cieši ar abām rokām. Ieslēdziet darbarīku un nedaudz uzspiediet uz tā, lai darbarīks nekontrolēti neatlektu visapkārt. Darbarīka efektivitāte nepalielināsies, ja ļoti stingri spiedīsiet uz tā.


## Urbšana kokā vai metālā

- ▶ **Att.20:** 1. Spīļpatronas adapteris 2. Urbja spīļpatrona bez atslēgas
- ▶ **Att.21:** 1. Vārpsta 2. Ātrās nomaīņas urbja spīļpatrona 3. Maiņas aizsargs
- ▶ **Att.22:** 1. Uzmava 2. Gredzens

## Modelim HR3210FCT

Izmantojiet papildpiederumu - urbja spīļpatronas montējumu. Uzstādot to, skat. iepriekšējā lappusē redzamo sadaļu "Uzgaļa uzstādīšana vai noņemšana". Uzstādiēt darba režīma maiņas sviru tā, lai rādītājs būtu vērstš pret  simbolu.


## Modelim HR3210FCT

Izmantojiet ātrās nomaīņas urbja spīļpatronu kā standartpiederumu. Uzstādot to, skat. iepriekšējā lappusē redzamo sadaļu "SDS-plus ātrās nomaīņas spīļpatronas maiņa". Turiet gredzenu un pagrieziet uznavu pretēji pulksteņrādītāja virzienam, lai atvērtu spīļpatronas spīles. Ievietojiet uzgali spīļpatronā līdz galam. Cieši turiet gredzenu un pagrieziet uznavu pulksteņrādītāja virzienā, lai pievilktu spīļpatronu. Lai izņemtu uzgali, turiet gredzenu un grieziet uznavu pretēji pulksteņrādītāja virzienam. Uzstādiēt darba režīma maiņas rokturi uz  simbolu. Iespējams urbt caurumus metālā ar diametru līdz 13 mm un kokā - ar diametru līdz 32 mm.

### ⚠UZMANĪBU:

- Kad darbarīkam ir uzstādīta ātrās nomaīņas urbja spīļpatrona, nekad neizmantojiet "triecienurbšanu". Ātrās nomaīņas urbja spīļpatrona var tikt sabojāta.
- Pārmērīgs spiediens uz darbarīku urbšanas ātrumu nepalielinās. Būtībā, pārmērīgs spiediens tikai bojās urbja uzgali, samazinās darbarīka jaudu un saīsinās tā kalpošanas laiku.
- Cauruma izlaušanas brīdī uz darbarīku un uzgali iedarbojas ārkārtīgs vērpes spēks. Stingri turiet darbarīku un īpaši uzmanieties brīdī, kad urbja uzgali sāks virzīties cauri apstrādājamajai daļai.
- Nelielas apstrādājamas detaļas vienmēr ievietojiet skrūvspīlēs vai citā stiprinājuma ierīcē.

## Urbšana ar dimanta serdeņa uzgali

Urbjot ar dimanta serdeņa uzgali, vienmēr uzstādiēt darba režīma maiņas sviru  stāvoklī, lai izmantotu "parastas urbšanas" darbību.

### ⚠UZMANĪBU:

- Ja urbsiet ar dimanta kroņurbi, izmantojot "triecienurbšanas" režīmu, jūs varat sabojāt dimanta kroņurbi.

## APKOPE

### ⚠UZMANĪBU:

- Pirms veicat pārbaudi vai apkopi vienmēr pārliecinieties, vai instruments ir izslēgts un atvienots no barošanas.
- Nekad neizmantojiet gazoļīnu, benzīnu, atšķaidītāju, spirtu vai līdzīgus šķīdumus. Tas var radīt izbalēšanu, deformāciju vai plaisas.

## Elļošana

### ⚠UZMANĪBU:

- Šī apkope jāveic tikai Makita pilnvarotiem apkopes centriem.

Šim darbarīkam nav nepieciešama elļošana ik stundu vai ik dienu, jo tam ir smērvielas aptveres elļošanas sistēma. Ir jāveic regulāra atkārtota elļošana. Nostīiet visu darbarīku uz Makita pilnvarotu vai rūpnīcas apkopes centru, lai tur to ieeļļotu. Lai saglabātu izstrādājuma DROŠU un UZTICAMU darbību, remontdarbus, apkopi un regulēšanu uzticiet veikt tikai Makita pilnvarotam apkopes centram un vienmēr izmantojiet tikai Makita rezerves daļas.

## PAPILDU PIEDERUMI

### ⚠UZMANĪBU:

- Šādi piederumi un rīki tiek ieteikti lietošanai ar šajā pamācībā aprakstīto Makita instrumentu. Jebkādu citu piederumu un rīku izmantošana var radīt traumu briesmas. Piederumu vai rīku izmantojiet tikai tā paredzētajam mērķim.

Ja jums vajadzīga palīdzība vai precīzāka informācija par šiem piederumiem, vērsieties savā tuvākajā Makita apkopes centrā.

- SDS-Plus ar karbīdu stiegroti uzgali
- Punktsitis
- Kroņurbis
- Metāla kalts
- Dimanta kroņurbis
- Āmuru smērviela
- Materiālu noņemšanas kalts
- Rievu velmēšanas kalts
- Urbja spīļpatronas montējums
- Urbja spīļpatrona S13
- Spīļpatronas adapteris
- Spīļpatronas atslēga S13
- Uzgaļu smērviela
- Sānu rokturis
- Dzīļummērs
- Caurpūtes bumbiere
- Putekļu piltuve
- Aizsargbrilles
- Plastmasas pārnēsāšanas soma

**PIEZĪME:** Daži sarakstā norādītie izstrādājumi var būt iekļauti instrumenta komplektācijā kā standarta piederumi. Tie dažādās valstīs var būt atšķirīgi.

## SPECIFIKACIJOS

Modelis		HR3200C	HR3210C	HR3210FCT
Paskirtis	Betonas	Grąžtas su volframo karbido galu	32 mm	
			Šerdinis grąžtas	
	Plienas		13 mm	
	Medis		32 mm	
Greitis be apkrovos (min <sup>-1</sup> )		315 - 630		
Smūgiai per minutę		1 650 - 3 300		
Bendras ilgis		398 mm		424 mm
Neto svoris		4,8 kg	5,2 kg	5,4 kg
Saugos klasė		□/II		

- Atliktame nepertraukiamus tyrimus ir nuolatos tobuliname savo gaminius, todėl čia pateikiamos specifikacijos gali būti keičiamos be įspėjimo.
- Įvairiose šalyse specifikacijos gali skirtis.
- Svoris pagal Europos elektrinių įrankių asociacijos nustatytą metodiką „EPTA -Procedure 01/2003“

**Paskirtis**

Šis įrankis skirtas kalamajam gręžimui plytose, betone ir akmenyje, taip pat kirtimo darbams.

**Elektros energijos tiekimas**

Įrenginiui turi būti tiekiami tokios įtampas elektros energija, kaip nurodyta duomenų lentelėje; įrenginys veikia tik su viena kintamąja srove. Visi įrenginiai turi dvigubą izoliaciją, kaip reikalauja Europos standartas, todėl juos galima jungti į elektros lizdą neįžemintus.

**Triukšmas**

Tipiškas A svertinis triukšmo lygis nustatytas pagal EN60745:

**Modelis HR3200C, HR3210C**

Garso slėgio lygis ( $L_{pA}$ ): 89 dB (A)  
 Garso galios lygis ( $L_{WA}$ ): 100 dB (A)  
 Paklaida (K): 3 dB (A)

**Modelis HR3210FCT**

Garso slėgio lygis ( $L_{pA}$ ): 88 dB (A)  
 Garso galios lygis ( $L_{WA}$ ): 99 dB (A)  
 Paklaida (K): 3 dB (A)

**Dėvėkite ausų apsaugas****Vibracija**

Vibracijos bendroji vertė (trijų ašių vektorinė suma) nustatyta pagal EN60745:

**Modelis HR3200C**

Darbo režimas: smūginis betono gręžimas  
 Vibracijos emisija ( $a_{h,HD}$ ): 18,0 m/s<sup>2</sup>  
 Paklaida (K): 1,5 m/s<sup>2</sup>  
 Darbo režimas: kalimas  
 Vibracijos emisija ( $a_{h,CHeq}$ ): 12,5 m/s<sup>2</sup>  
 Paklaida (K): 1,5 m/s<sup>2</sup>  
 Darbo režimas: metalo gręžimas  
 Vibracijos emisija ( $a_{h,D}$ ): 2,5 m/s<sup>2</sup> arba mažiau  
 Paklaida (K): 1,5 m/s<sup>2</sup>

**Modelis HR3210C**

Darbo režimas: smūginis betono gręžimas  
 Vibracijos emisija ( $a_{h,HD}$ ): 10,0 m/s<sup>2</sup>  
 Paklaida (K): 1,5 m/s<sup>2</sup>

Darbo režimas: kalimas

Vibracijos emisija ( $a_{h,CHeq}$ ): 7,5 m/s<sup>2</sup>  
 Paklaida (K): 1,5 m/s<sup>2</sup>

Darbo režimas: metalo gręžimas

Vibracijos emisija ( $a_{h,D}$ ): 2,5 m/s<sup>2</sup> arba mažiau  
 Paklaida (K): 1,5 m/s<sup>2</sup>

**Modelis HR3210FCT**

Darbo režimas: smūginis betono gręžimas

Vibracijos emisija ( $a_{h,HD}$ ): 10,0 m/s<sup>2</sup>  
 Paklaida (K): 1,5 m/s<sup>2</sup>

Darbo režimas: kalimas

Vibracijos emisija ( $a_{h,CHeq}$ ): 8,0 m/s<sup>2</sup>  
 Paklaida (K): 1,5 m/s<sup>2</sup>

Darbo režimas: metalo gręžimas

Vibracijos emisija ( $a_{h,D}$ ): 2,5 m/s<sup>2</sup> arba mažiau  
 Paklaida (K): 1,5 m/s<sup>2</sup>

**PASTABA:** Paskelbtasis vibracijos emisijos dydis nustatytas pagal standartinį testavimo metodą ir jį galima naudoti vienam įrankiui palyginti su kitu.

**PASTABA:** Paskelbtasis vibracijos emisijos dydis taip pat gali būti naudojamas preliminariai įvertinti vibracijos poveikį.

**⚠️ ĮSPĖJIMAS:** Faktiškai naudojant elektrinį įrankį, keliamos vibracijos dydis gali skirtis nuo paskelbtojo dydžio, priklausomai nuo būdų, kuriais yra naudojamas šis įrankis.

**⚠️ ĮSPĖJIMAS:** Siekiant apsaugoti operatorių, būtina įvertinti saugos priemonės, remdamesi vibracijos poveikio įvertinimu esant faktinėms naudojimo sąlygoms (atsižvelgdami į visas darbo ciklo dalis, pavyzdžiui, ne tik kiek laiko įrankis veikia, bet ir kiek kartų jis yra išjungiamas bei kai jis veikia be apkrovų).

## Tik Europos šalims

### ES atitikties deklaracija

Mes, „Makita Corporation“ bendrovė, būdami atsakingas gamintojas, pareiškiame, kad šis „Makita“ mechanizmas(-ai):

Mechanizmo paskirtis:

Rotacinis plaktukas

Modelio Nr./ tipas: HR3200C,HR3210C,HR3210FCT

priklauso serijinei gamybai ir

**Atitinka šias Europos direktyvas:**

2006/42/EC

Ir yra pagamintas pagal šiuos standartus arba normatyvinius dokumentus:

EN60745

Techninę dokumentaciją saugo mūsų įgaliotasis atstovas Europoje, kuris yra:

Makita International Europe Ltd.

Michigan Drive, Tongwell,

Milton Keynes, MK15 8JD, England (Anglija)

30.1.2009



Tomoyasu Kato

Direktorius

Makita Corporation

3-11-8, Sumiyoshi-cho,

Anjo, Aichi, JAPAN (JAPONIJA)

### Bendrieji perspėjimai darbui su elektriniais įrankiais

**⚠️ ĮSPĖJIMAS** Perskaitykite visus saugos įspėjimus ir instrukcijas. Nesilaikydami žemiau pateiktų įspėjimų ir instrukcijų galite patirti elektros smūgį, gaisrą ir/arba sunkų sužeidimą.

**Išsaugokite visus įspėjimus ir instrukcijas, kad galėtumėte jas peržiūrėti ateityje.**

### ĮSPĖJIMAI DĖL SMŪGINIO GRAŽTO SAUGOS

1. Naudokite klausos apsaugines priemones. Triukšmas gali pakenkti klausai.
2. Naudokite su įrankiu pridėtą išorinę rankeną (rankenas). Nesuvaldę įrankio galite susižeisti.
3. Atlikdami darbus, kurių metu pjovimo antgalis galėtų užkliudyti nematomą laidą arba savo paties laidą, laikykite elektrinius įrankius už izoliuotų paviršių. Pjovimo antgaliai prisilietus prie „gyvo“ laido, neizoliuotos metalinės elektrinio įrankio dalys gali sukelti elektros smūgį ir nutrenkti operatorių.
4. Užsidėkite kietą galvos apdangalą (apsauginį šalmą), apsauginius akinius ir (arba) veido skydelį. Įprastiniai akiniai ar akiniai nuo saulės NĖRA apsauginiai akiniai. Taip pat primygtinai rekomenduojama užsidėti kaukę, saugančią nuo dulkių, ir pirštines su storu pamušalu.

5. Prieš pradėdami dirbti įsitikinkite, kad grąžtas tinkamai įtvirtintas.
6. Įprastai naudojant įrankį, jis vibruoja. Varžtai gali lengvai atsisukti, o tai gali tapti gedimo arba nelaimingo atsitikimo priežastimi. Prieš pradėdami dirbti atidžiai patikrinkite, ar varžtai gerai priveržti.
7. Šaltu oru, arba jei įrankiu nesinaudojote ilgą laiką, leiskite įrankiui šiek tiek įšilti naudodami jį be apkrovos. Tada tepalas suminkštės. Tinkamai neįšildžius įrankio, bus sunku kalti.
8. Visuomet stovėkite tvirtai. Įsitikinkite, kad po jums nieko nėra, jei dirbate aukštai.
9. Laikykite įrankį tvirtai abiem rankomis.
10. Žiūrėkite, kad rankos būtų kuo toliau nuo judamųjų dalių.
11. Nepalikite veikiančio įrankio. Naudokite įrankį tik laikydami rankomis.
12. Dirbdami nenukreipkite veikiančio įrankio į žmones. Kalamasis grąžtas gali išlėkti ir ką nors sunkiai sužeisti.
13. Nelieskite grąžto arba šalia esančių dalių iškart po naudojimo; jie gali būti itin karšti ir nudeginėti odą.
14. Kai kuriose medžiagose esama cheminių medžiagų, kurios gali būti nuodingos. Saugokitės, kad neįkvėptumėte dulkių ir nesiliestumėte oda. Laikykites medžiagų tiekėjo saugos duomenimis.

### SAUGOKITE ŠIAS INSTRUKCIJAS.

**⚠️ ĮSPĖJIMAS: NELEISKITE**, kad patogumas ir gaminio pažinimas (įgyjamas pakartotinai naudojant) susilpnintų griežtą saugos taisyklių, taikytinų šiam gaminiui, laikymąsi. Dėl NETINKAMO NAUDOJIMO arba saugos taisyklių nesilaikymo, kurios pateiktos šioje instrukcijoje galima rimtai susižeisti.



# VEIKIMO APRAŠYMAS

## **▲ PERSPĖJIMAS:**

- Prieš reguliuodami įrenginį arba tikrindami jo veikimą visada patikrinkite, ar įrenginys išjungtas, o laido kištukas - ištrauktas iš elektros lizdo.

## Jungiklio veikimas

► **Pav.1:** 1. Gaidukas

## **▲ PERSPĖJIMAS:**

- Prieš jungdami įrenginį visada patikrinkite, ar jungiklis gerai įsijungia, o atleistas grįžta į padėtį OFF (išjungta).

Norėdami pradėti dirbti įrankiu tiesiog paspauskite gaiduką. Norėdami sustabdyti, atleiskite gaiduką.

## Lempų įjungimas

### Modeliui HR3210FCT

► **Pav.2:** 1. Lempa

## **▲ PERSPĖJIMAS:**

- Nežiūrėkite tiesiai į šviesą arba šviesos šaltinį.

Jeigu norite įjungti lempą, paspauskite spragtuką. Ji išjungia atleisus spragtuką.

## **PASTABA:**

- Nešvarumus nuo lemos lęšio valykite sausu audiniu. Stenkitės nesubraižyti lemos lęšio, kad nepablogėtų apšvietimas.

## Greičio keitimas

► **Pav.3:** 1. Reguliavimo ratukas

Apsisukimus per minutę galima reguliuoti tiesiog sukant reguliavimo ratuką. Ratukas sužymėtas nuo 1 (mažiausias greitis) iki 5 (didžiausias greitis).

Toliau esančioje lentelėje pateiktas santykis tarp sunumeruotų ant reguliavimo ratuko esančių nustatymų ir apsisukimų/smūgių per minutę.

Skaiciai ant reguliavimo ratuko	Apsisukimai per minutę	Smūgiai per minutę
5	630	3 300
4	590	3 100
3	480	2 500
2	370	1 900
1	315	1 650

## **▲ PERSPĖJIMAS:**

- Jeigu įrankis ilgą laiką nepertraukiamai veikia mažu greičiu, variklis bus perkrautas, ir dėl to įrankis gali blogai veikti.
- Greičio reguliavimo diską galima sukuti tik iki 5 ir atgal iki 1. Nesukite jo toliau, nes gali sutrikti greičio reguliavimo funkcija.

## Greitai pakeičiamo „SDS-plus“ griebtuvo pakeitimas

### Modeliui HR3210FCT

Greitai pakeičiamą grąžto griebtuvą galima greitai pakeisti „SDS-plus“ griebtuvu.

## Greitai pakeičiamo „SDS-plus“ griebtuvo išėmimas

► **Pav.4:** 1. Greitai keičiamas „SDS-plus“ grąžto kumštelinis griebtuvas 2. Keičiamas dangtelis 3. Kumštelinio griebtuvo gaubtas

## **▲ PERSPĖJIMAS:**

- Prieš ištraukdami greitai pakeičiamą „SDS-plus“ griebtuvą, ištraukite grąžtą.

Laikykite pakeičiamą dangtelį nykščiu ir viduriniuoju pirštu ir traukite jį 1-osios rodyklės kryptimi. Kai pakeičiamas dangtelis patrauktas atitinkama kryptimi, prilaukite griebtuvo dangtelį rodomuoju pirštu. Laikydami griebtuvo dangtelį ištraukite greitai pakeičiamą „SDS-plus“ griebtuvą 2-osios rodyklės kryptimi.

## Greitai keičiamo grąžto griebtuvo įdėjimas

► **Pav.5:** 1. Velenas 2. Greitai keičiamas grąžto kumštelinis griebtuvas 3. Keičiamas dangtelis


Paimkite už pakeičiamo dangtelio ir uždėkite greitai pakeičiamą grąžto kumštelinį griebtuvą ant įrankio ašies.

Įsitinkinkite, kad greitai pakeičiamas grąžto kumštelinis griebtuvas gerai pritvirtintas (patraukite jį kelis kartus).

## Veikimo režimo pasirinkimas


### Kalamasis gręžimas

► **Pav.6:** 1. Fiksuojamasis mygtukas 2. Rodyklė 3. Keitimo svirtelė

Norėdami gręžti betoną, mūrą ir t. t., nuspauskite fiksuojamąjį mygtuką ir pasukite veikimo režimo keitimo svirtelę, kad rodyklė būtų ties  simboliu. Naudokite grąžtą su volframo-karbido galu.


### Tik gręžimas

► **Pav.7:** 1. Fiksuojamasis mygtukas 2. Keitimo svirtelė 3. Rodyklė

Norėdami gręžti medį, metalą arba plastikinę medžiagą, nuspauskite fiksuojamąjį mygtuką ir pasukite veikimo režimo keitimo svirtelę, kad rodyklė būtų ties  simboliu. Naudokite spiralinį arba medžio grąžtą.

### Tik kalimas

► **Pav.8:** 1. Rodyklė 2. Keitimo svirtelė 3. Fiksuojamasis mygtukas

Norėdami atlikti nudaužymo, grandymo arba iškalimo darbus, nuspauskite fiksuojamąjį mygtuką ir pasukite veikimo režimo keitimo svirtelę, kad rodyklė būtų ties  simboliu. Naudokite smailųjį kaltelį, plieninį kirsutuką, grandomąjį kaltelį ir kt.

### **▲ PERSPĖJIMAS:**

- Nesukite greičio keitimo svirtelės, kai įrankis veikia su apkrova. Sugadinsite įrankį.
- Norėdami išvengti greito režimo keitimo mechanizmo nusidėvėjimo, pakeitę režimą visada patikrinkite, ar tiksliai nustatėte veikimo režimo keitimo svirtelę vienoje iš trijų veikimo režimo padėčių.

## **Sukimo momento ribotuvus**

Sukimo momento ribotuvus suveiks tada, kai bus pasiektas tam tikras sukimo momento lygis. Variklis bus atjungtas nuo išvesties veleno. Taip atsitikus, grąžtas liausis sukėsis.

### **▲ PERSPĖJIMAS:**

- Suveikus sukimo momento ribotuvui nedelsdami išjunkite įrenginį. Šitaip apsaugosite įrenginį ir jis nesusidėvės anksčiau laiko.

## **Indikatoriaus lemputė**

- **Pav.9:** 1. Indikatoriaus lemputė, rodanti, kad įrankis veikia (žalia) 2. Techninio aptarnavimo primumo indikatoriaus lemputė (raudona)

Jungus įrankį, užsideda žalia įjungimo indikatoriaus lemputė. Jeigu indikatoriaus lemputė neužsideda, gali būti nutrukęs maitinimo laidas arba perdegusi indikatoriaus lemputė. Indikatoriaus lemputė dega, tačiau įrankis neįsijungia net ir paspaudus įjungimo mygtuką; gali būti susidėvėję angliniai šepetėliai, perdegusi indikacinė lemputė, sugedęs variklis arba neveikia „ON/OFF“ (Įjungimo/Išjungimo) jungiklis. Maždaug po 8 darbo valandų variklis automatiškai išsijungs.

## **SURINKIMAS**

### **▲ PERSPĖJIMAS:**

- Prieš taisydami įrenginį visada patikrinkite, ar jis išjungtas, o laido kištukas - ištrauktas iš elektros lizdo.

## **Šoninė rankena**

- **Pav.10:** 1. Šoninė rankena

### **▲ PERSPĖJIMAS:**

- Šoninę rankeną naudokite, norėdami saugiai atlikti betono, mūro ir kt. gręžimo darbus.

Šoninė rankena gali būti pasukama į bet kurią pusę, todėl įrankį patogiau laikyti bet kokiaje padėtyje. Atlaisvinkite šoninę rankeną, sukdami ją prieš laikroio rodyklę, pasukite ją į norimą padėtį, po to priveržkite ją, sukdami pagal laikrodžio rodyklę.

## **Grąžto įdėjimas arba išėmimas**

- **Pav.11:** 1. Jungiamasis grąžto galas 2. Grąžto tepalas

Nuvalykite antgalio jungiamąjį galą ir, prieš įdėdami, patepkite jį tepalu. Įkiškite antgalį į įrankį. Sukdami antgalį stumkite tol, kol jis užsifikuos.

- **Pav.12:** 1. Grąžtas 2. Kumštelinio griebtuvo gaubtas

Jeigu antgalio įkišti negalite, ištraukite jį. Porą kartų patraukite kumštelinio griebtuvo gaubtą. Po to vėl kiškite antgalį. Sukdami antgalį stumkite tol, kol jis užsifikuos.

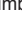

Įdėję, visada patikrinkite, ar grąžtas įdėtas tvirtai, pabandydami jį ištraukti.

Norėdami ištraukti grąžtą, atitraukite kumštelinio griebtuvo gaubtą iki galo žemyn ir ištraukite grąžtą.

- **Pav.13:** 1. Grąžtas 2. Kumštelinio griebtuvo gaubtas

## **Kampinis gręžimas (nudažymo, grandymo arba griovimo darbams atlikti)**

- **Pav.14:** 1. Keitimo svirtelė 2. Fiksuojamasis mygtukas 3. Rodyklė

Grąžtą galima pritvirtinti, pakreipus jį 24 skirtingais kampais. Norėdami pakeisti grąžto įtaisymo kampą, nuspauskite fiksuojamąjį mygtuką ir pasukite keitimo svirtelę taip, kad rodyklė būtų ties  simboliu. Pasukite grąžtą norimu kampu. Nuspauskite fiksuojamąjį mygtuką ir pasukite keitimo svirtelę taip, kad rodyklė būtų ties  simboliu. Patikrinkite, ar grąžtas įdėtas tvirtai, pabandydami jį ištraukti.

## **Gylio ribotuvus**

- **Pav.15:** 1. Gylio ribotuvus 2. Spaustuvo varžtas

Gylio matuoklis yra patogus, kai reikia gręžti vienodo gylio skylės. Atlaisvinkite suveržimo varžtą ir pareguliuokite gylio matuoklį norimam gyliui. Pareguliuavę, tvirtai užveržkite suveržimo varžtą.

### **PASTABA:**

- Gylio matuoklio negalima naudoti padėtyje, kurioje jis atsitrenkia į pavaro/variklio korpusą.

## **Maišelis dulkėms rinkti**

- **Pav.16:** 1. Maišelis dulkėms rinkti

Dulkių rinktuvas skirtas tam, kad dulkės nekristų ant įrenginio ir jūsų, kai dirbate grąžtą išskelę virš galvos. Prie galvutės pritvirtinkite dulkių maišelį. Žemiau nurodyti galvučių, prie kurių galima pritvirtinti dulkių maišelį, dydžiai.

	Grąžto skersmuo
Dulkių surinkimo indas 5	6 mm - 14,5 mm
Dulkių surinkimo indas 9	12 mm - 16 mm


# NAUDOJIMAS

## **▲ PERSPĖJIMAS:**

- Darbo metu visada tvirtai laikykite įrankį už šoninės (papildoma rankena) ir pagrindinės rankenos.

## Kalamasis gręžimas

### ► Pav.17

Nustatykite veikimo režimo keitimo svirtelę ties  simboliu.

Pridėkite grąžtą prie tos vietos, kurioje gręšite skylę, ir nuspauskite gaiduką. Nenaudokite jėgos su įrankiu. Nestiprus spaudimas duoda geriausių rezultatų.

Laikykite įrankį šioje padėtyje ir saugokite, kad nenuslystų nuo skylės.

Nespauskite stipriau, kai skylė prisipildo nuolaužomis ir dalelėmis. Vietoje to truputį palaikykite įrankį tuščia eiga, tada dalinai ištraukite grąžtą iš skylės. Pakartojus tai keletą kartų, skylė bus išvalyta ir bus galima toliau gręžti.

## **▲ PERSPĖJIMAS:**

- Kai grąžtas pradeda skverbtis į betoną arba jis atsitrenkia į betone esančią armatūrą, įrankis gali būti pavojingai atmetas (atoveiksmis). Išlaikykite gerą pusiausvyrą ir saugiai remkitės kojomis, tvirtai abejomis rankomis laikydami įrankį, kad išvengtumėte pavojingo atoveiksmio.


## Išpūtimo kriaušė (pasirenkamas priedas)

### ► Pav.18: 1. Išpūtimo kriaušė

Išgręžus skylę naudokite išpūtimo kriaušę dulkėms iš skylės išvalyti.

## Skėlimas/ nuodegų šalinimas / ardymas

### ► Pav.19

Nustatykite veikimo režimo keitimo svirtelę ties  simboliu.

VISUOMET tvirtai laikykite įrankį abiejomis rankomis. Įjunkite įrankį ir nesmarkiai spauskite, kad jis nešokinėtų nevaldomas. Jeigu įrankį spausite labai smarkiai, darbo našumas dėl to nepadidės.

## Gręžimas į medį arba metalą


► Pav.20: 1. Griebtuvo suderintumas 2. Berakčio grąžto kumštelinis griebtuvas

► Pav.21: 1. Velenas 2. Greitai keičiamas grąžto kumštelinis griebtuvas 3. Keičiamas dangtelis

► Pav.22: 1. Įvorė 2. Žiedas

## Modeliams HR3200C, HR3210C


Naudokitės pasirinktą grąžto kumštelinio griebtuvo komplektu. Apie jo įtaisymą žr. aukščiau, skyriuje „Grąžto įtaisymas arba išėmimas“.

Svirtelę, su kuria keičiamas veikimo režimas, nustatykite taip, kad rodyklė būtų ties  simboliu.

## Modeliui HR3210FCT

Naudokite standartinį greitai pakeičiamą grąžto griebtuvą. Apie jo įtaisymą žr. aukščiau, skyriuje „Greitai pakeičiamo „SDS-plus“ griebtuvo pakeitimas“.

Laikykite žiedą ir pasukite įvorę prieš laikrodžio rodyklę, kad atidarytumėte griebtuvo žiotis. Įdėkite grąžtą į kumštelinį griebtuvą tiek giliai, kiek lenda. Laikykite žiedą ir sukite įvorę prieš laikrodžio rodyklę, kad užtvirtintumėte griebtuvą. Jei norite išimti grąžtą, laikykite žiedą ir pasukite įvorę prieš laikrodžio rodyklę.


Nustatykite veikimo režimo keitimo rankenėlę ties  simboliu.

Galėsite gręžti iki 13 mm skersmens skylės metale ir iki 32 mm skersmens skylės medyje.

## **▲ PERSPĖJIMAS:**

- Jeigu ant įrenginio sumontuotas grąžto kumštelinis griebtuvas, nedirbkite „gręžimo ir kalimo“ režimu. Greitai pakeičiamas grąžto kumštelinis griebtuvas gali būti pažeistas.
- Per didelės įrankio spaudimas nepagreitins gręžimo. Iš tikrųjų, šis spaudimas gali tik padėti pažeisti grąžto galą, pabloginti įrankio darbą ir sutrumpinti jo eksploataavimo trukmę.
- Skylės gręžimo metu įrankį / grąžto galą veikia didžiulė sukamoji jėga. Laikykite įrankį tvirtai ir atsargiai žiūrėkite, kada grąžtas pradės gręžti ruošinį.
- Visuomet įtvirtinkite mažus ruošinius spaustuve ar panašiam laikiklyje.

## Gręžimas deimantiniu šerdinio grąžtu

Jeigu naudojate deimantinius šerdinius grąžtus, veikimo režimo keitimo svirtelę nustatykite į  padėtį, kad būtų atliekamas „tik gręžimo“ veikimas.

## **▲ PERSPĖJIMAS:**

- Jeigu atliekant darbus deimantiniais šerdiniais grąžtais nustatytas „gręžimo ir kalimo“ režimas, gali būti sugadintas deimantinis šerdis grąžtas.

## TECHNINĖ PRIEŽIŪRA

## **▲ PERSPĖJIMAS:**

- Prieš apžiūrėdami ar taisydami įrenginį visada patikrinkite, ar jis išjungtas, o laido kištukas - ištrauktas iš elektros lizdo.
- Niekada nenaudokite gazolino, benzino, tirpiklio, spirito arba panašių medžiagų. Gali atsirasti išblukimų, deformacijų arba įtrūkimų.

## Tepimas

### PERSPĖJIMAS:

- Šią techninę priežiūrą turi atlikti tik bendrovės „Makita“ įgaliotasis techninės priežiūros centras.

Šio įrankio nereikia sutepti kas valandą arba kas dieną, nes jame yra tepalo pripildyta tepimo sistema. Reguliariai pakeiskite tepalus. Įrankio sutepimo techninę paslaugą atlieka įgaliotasis „Makita“ techninės priežiūros centras, į kurį ir reikia pristatyti įrankį. Kad gaminys būtų SAUGUS ir PATIKIMAS, jį taisyti, apžiūrėti ar vykdyti bet kokią kitą priežiūrą ar derinimą turi įgaliotasis bendrovės „Makita“ techninės priežiūros centras; reikia naudoti tik bendrovės „Makita“ pagamintas atsargines dalis.

## PASIRENKAMI PRIEDAI

### PERSPĖJIMAS:

- Su šiaime vadove aprašytu įrenginiu „Makita“ rekomenduojama naudoti tik nurodytus priedus ir papildomus įtaisus. Jeigu bus naudojami kitojie priedai ar papildomi įtaisai, gali būti sužaloti žmonės. Priedus arba papildomus įtaisus naudokite tik pagal paskirtį.

Jeigu norite daugiau sužinoti apie tuos priedus, kreipkitės į artimiausią „Makita“ techninės priežiūros centrą.

- „SDS-Plus“ grąžtai karbido galais
- Piramidinis kaltas
- Šerdinis grąžtas
- Šaltkalvio kaltelis
- Deimantinis šerdinis grąžtas
- Kūjo tepalas
- Nuodegų šalinimo kirstukas
- Graviravimo kirstukas
- Grąžto griebtuvo komplektas
- Grąžto griebtuvas S13
- Griebtuvo suderintuvas
- Griebtuvo raktas S13
- Grąžto antgalio tepalas
- Šoninė rankena
- Gylio ribotuvus
- Išpūtimo kriaušė
- Maišelis dulkėms rinkti
- Apsauginiai akiniai
- Plastikinis dėklas

**PASTABA:** Kai kurie sąraše esantys priedai gali būti pateikti įrankio pakuotėje kaip standartiniai priedai. Jie įvairiose šalyse gali skirtis.

## TEHNILISED ANDMED

Mudel			HR3200C	HR3210C	HR3210FCT
Suutikkus	Betoon	Volframkarbiidist otsaga otsak	32 mm		
		Südamikupuur	90 mm		
	Metall		13 mm		
	Puit		32 mm		
Ilma koormuseta kiirus (min <sup>-1</sup> )			315 - 630		
Löökide arv minutis			1 650 - 3 300		
Kogupikkus			398 mm		424 mm
Netomass			4,8 kg	5,2 kg	5,4 kg
Kaitseklass			□/II		

- Meie jätkuva teadus- ja arendustegevuse programmi tõttu võidakse siin antud tehnilisi andmeid muuta ilma ette teatamata.
- Tehnilised andmed võivad olla riigiti erinevad.
- Kaal vastavalt EPTA protseduurile 01/2003

### Ettenähtud kasutamine

Tööriist on ette nähtud telliste, betooni ja kivi löökpuurimiseks, samuti ka meiseldustööde teostamiseks.

### Toide

Tööriista võib ühendada ainult selle andmesildil näidatud pingele vastava pingega toiteallikaga ning seda saab kasutada ainult ühefaasilisel vahelduvvoolutoitel. Tööriist on vastavalt Euroopa standardile kahekordse isolatsiooniga ning seega võib seda kasutada ka ilma maandusjuhtmeta pistikupespa ühendatult.

### Müra

Tüüpiline A-korrigeeritud mürataseme vastavalt EN60745:

#### Mudel HR3200C,HR3210C

Mürarõhutase (L<sub>PA</sub>): 89 dB (A)

Müravõimsustase (L<sub>WA</sub>): 100 dB (A)

Määramatus (K): 3 dB (A)

#### Mudel HR3210FCT

Mürarõhutase (L<sub>PA</sub>): 88 dB (A)

Müravõimsustase (L<sub>WA</sub>): 99 dB (A)

Määramatus (K): 3 dB (A)

### Kandke kõrvakaitsmeid

### Vibratsioon

Vibratsiooni koguväärtus (kolmeteljeliste vektorite summa) määratud vastavalt EN60745:

#### Mudel HR3200C

Töörežiim: betooni löökpuurimine

Vibratsioonitase (a<sub>h,HD</sub>): 18,0 m/s<sup>2</sup>

Määramatus (K): 1,5 m/s<sup>2</sup>

Töörežiim: meiseldamine

Vibratsioonitase (a<sub>h,CHeq</sub>): 12,5 m/s<sup>2</sup>

Määramatus (K): 1,5 m/s<sup>2</sup>

Töörežiim: metalli puurimine

Vibratsioonitase (a<sub>h,D</sub>): 2,5 m/s<sup>2</sup> või vähem

Määramatus (K): 1,5 m/s<sup>2</sup>

#### Mudel HR3210C

Töörežiim: betooni löökpuurimine

Vibratsioonitase (a<sub>h,HD</sub>): 10,0 m/s<sup>2</sup>

Määramatus (K): 1,5 m/s<sup>2</sup>

Töörežiim: meiseldamine

Vibratsioonitase (a<sub>h,CHeq</sub>): 7,5 m/s<sup>2</sup>

Määramatus (K): 1,5 m/s<sup>2</sup>

Töörežiim: metalli puurimine

Vibratsioonitase (a<sub>h,D</sub>): 2,5 m/s<sup>2</sup> või vähem

Määramatus (K): 1,5 m/s<sup>2</sup>

#### Mudel HR3210FCT

Töörežiim: betooni löökpuurimine

Vibratsioonitase (a<sub>h,HD</sub>): 10,0 m/s<sup>2</sup>

Määramatus (K): 1,5 m/s<sup>2</sup>

Töörežiim: meiseldamine

Vibratsioonitase (a<sub>h,CHeq</sub>): 8,0 m/s<sup>2</sup>

Määramatus (K): 1,5 m/s<sup>2</sup>

Töörežiim: metalli puurimine

Vibratsioonitase (a<sub>h,D</sub>): 2,5 m/s<sup>2</sup> või vähem

Määramatus (K): 1,5 m/s<sup>2</sup>

**MÄRKUS:** Deklareeritud vibratsiooniemissiooni väärtus on mõõdetud kooskõlas standardse testimismeetodiga ning seda võib kasutada ühe seadme võrdlemiseks teisega.

**MÄRKUS:** Deklareeritud vibratsiooniemissiooni väärtust võib kasutada ka mürataseme esmaseks hindamiseks.

**⚠️HOIATUS:** Vibratsioonitase võib elektritööriista tegelikkuses kasutamise ajal erineda deklareeritud väärtusest sõltuvalt tööriista kasutamise viisidest.

**⚠️HOIATUS:** Rakendage kindlasti operaatori kaitsmiseks piisavaid ohutusabinõusid, mis põhinevad hinnangulisel müratasemel tegelikus töösituatsioonis (võttes arvesse tööperioodi kõik osad nagu näiteks korrad, mil seade lülitatakse välja ja mil seade töötab tühikäigul, lisaks tööajale).

### Ainult Euroopa riigid

### EÜ vastavusdeklaratsioon

**Makita korporatsiooni vastutava tootjana kinnitame, et alljärgnev(ad) Makita masin(ad):**

Masina tähistus:

Puurvaras

Mudel nr./tüüp: HR3200C,HR3210C,HR3210FCT

on seeriatoodang ja

## Vastavad alljärgnevale Euroopa Parlamendi ja nõukogu direktiividele:

2006/42/EC

Ning on toodetud vastavalt alljärgnevale standarditele või standardiseeritud dokumentidele:

EN60745

Tehnilist dokumentatsiooni hoitakse meie volitatud esindaja käes Euroopas, kelleks on:

Makita International Europe Ltd.

Michigan Drive, Tongwell,

Milton Keynes, MK15 8JD, Inglismaa

30.1.2009



Tomoyasu Kato  
direktor

Makita korporatsioon  
3-11-8, Sumiyoshi-cho,  
Anjo, Aichi, JAAPAN

## Üldised elektritööriistade ohutushoiatused

**⚠️HOIATUS** Lugege läbi kõik ohutushoiatused ja juhised. Hoiatuste ja juhiste mittejärgmine võib põhjustada elektrilööki, tulekahju ja/või tõsiseid vigastusi.

**Hoidke alles kõik hoiatused ja juhised edaspidisteks viideteks.**

## PUURVASARA OHUTUSJUHISED

- Kandke kuulmiskaitseid.** Müra võib põhjustada kuulmiskadu.
- Kasutage lisakäepidet/pidemeid, kui need on tööriistadega kaasas.** Kontrolli puudumine võib põhjustada inimestele vigastusi.
- Hoidke elektritööriistu isoleeritud haardepindadest, kui töotate kohas, kus löiketera võib sattuda kokkupuutesse varjatud juhtmete ja seadme enda toitejuhtmega.** Pingestatud juhtmega kokkupuutesse sattunud löiketera võib pingestada elektritööriista metallosi, mille tagajärjel võib seadme kasutaja saada elektrilöögi.
- Kandke tugevat peakatet (kaitsekiiver), kaitseprille ja/või näokatet.** Tavalised prillid või päikesepriidid EI OLE kaitseprillid. Eriti soovitatakse kanda ka tolmumaski ja paksult polsterdatud kindaid.
- Enne toimingu teostamist veenduge, et löikeotsik on kindlalt kinnitatud.**
- Reeglipärasel töötamisel on ette nähtud, et tööriist tekitab vibratsiooni.** Kruvid võivad hõlpsasti logisema hakata, põhjustades purunemise või õnnetuse. Enne toimingu teostamist kontrollige hoolikalt kruvide pingutatust.
- Külma ilmaga või siis, kui tööriista ei ole kaua aega kasutatud, laske tööriistal mõnda aega soojeneda, kaitades seda ilma koormuseta.** See vabastab õlitamise. Ilma õige soojenemiseta on löökrežiimil töötamine raskendatud.
- Veenduge alati, et omaksite kindlat toetuspinda.** Kui töotate kõrguses, siis jälgige, et teist allpool ei viibiks inimesi.
- Hoidke tööriista kindlalt kahe käega.**
- Hoidke käed liikuvatest osadest eemal.**

- Ärge jätke tööriista käima.** Käivitage tööriist ainult siis, kui hoiate seda käes.
- Ärge suunake töötavat tööriista töötamispiirkonnas viibijatele.** Löikeotsik võib välja lennata ja kedagi tõsiselt vigastada.
- Ärge puudutage löikeotsikut ega selle läheduses paiknevaid osi vahetult pärast tööoperatsiooni teostamist; need võivad olla väga kuumad ja põhjustada põletushaavu.**
- Mõned materjalid võivad sisaldada mürgiseid aineid.** Rakendage meetmeid tolmusissehingamise ja nahaga kokkupuute vältimiseks. Järgige materjali tarnija ohutusosalast teavet.

## HOIDKE JUHEND ALLES.

**⚠️HOIATUS:** ÄRGE laske mugavusel või toote kasutamisharjumustel (mis on saadud korduva kasutuse jooksul) asendada vankumatut toote ohutuseeskirjade järgimist. VALE KASUTUS või käesoleva kasutusjuhendi ohutusnõuete eiramine võib põhjustada tõsiseid vigastusi.

## FUNKTSIONAALNE KIRJELDUS

### ⚠️ETTEVAATUST:

- Kandke alati hoolt selle eest, et tööriist oleks enne reguleerimist ja kontrollimist välja lülitatud ja vooluvõrgust lahti ühendatud.

## Lüliti funktsioneerimine

► Joon.1: 1. Lüliti päästik

### ⚠️ETTEVAATUST:

- Kontrollige alati enne tööriista vooluvõrku ühendamist, kas lüliti päästik funktsioneerib nõuetekohaselt ja liigub lahtilaskmisel tagasi väljaülitatud asendisse.

Tööriista tööleülitamiseks on vaja lihtsalt lüliti päästikut tõmmata. Seiskamiseks vabastage lüliti päästik.

## Lampide süütamine

### Mudelile HR3210FCT

► Joon.2: 1. Lamp

### ⚠️ETTEVAATUST:

- Ärge vaadake otse valgusesse ega valgusallikat.

Vajutage lambi süütamiseks päästikut. Vabastage päästik lambi kustutamiseks.

### MÄRKUS:

- Kasutage lambiklaasilt mustuse ära pühkimiseks kuiva riidelappi. Olge seda tehes ettevaatlik, et lambiklaasi mitte kriimustada, sest vastasel korral võib valgustus väheneda.

## Kiiruse muutmise

### ► Joon.3: 1. Regulaatorketas

Pööreid ja lööke minutis saab reguleerida regulaator-kettaga. Kettal on märgised 1-st (madalaim kiirus) 5-ni (täiskiirus).

Alltoodud tabelis on esitatud seosed regulaatorkettal olevate numbrite ja minutis tehtavate pöörete/löökide arvu vahel.

Regulaatorkettal olev number	Pöörete arv minutis	Löökide arv minutis
5	630	3 300
4	590	3 100
3	480	2 500
2	370	1 900
1	315	1 650

### ▲ ETTEVAATUST:

- Kui tööriista kaua aega katkestamatult madalal kiirusel kasutatakse, tekib mootori ülekoormus, mis põhjustab tööriista tõrkeid.
- Kiiruseregulaatorit saab keerata ainult numbrini 5 ja tagasi numbrini 1. Ärge kiiruseregulaatorit jõuga üle 5 või 1 keerata püüdes, sest vastasel korral ei pruugi kiiruse reguleerimise funktsioon enam töötada.

## SDS-plusi kiirvahetuspadruni vahetamine

### Mudelile HR3210FCT

Kiirvahetatava puuripadruni saab hõlpsasti vahetada SDS-plusi kiirvahetuspadruniga.

### SDS-plusi kiirvahetuspadruni eemaldamine

- Joon.4: 1. SDS-plusi kiirvahetuspadruni  
2. Vahetuskate 3. Padruni kate

### ▲ ETTEVAATUST:

- Enne SDS-plusi kiirvahetatava padruni eemaldamist eemaldage alati otsak.

Hoidke pöidla ja keskmise sõrmega vahetatavat katet ning tõmmake seda 1. noole suunas. Samal ajal hoidke nimetissõrmega padrunikatet. Sel viisil padrunikatet hoides tõmmake 2. noole suunas välja SDS-plusi kiirvahetatav padrun.

### Kiirvahetatava puuripadruni kinnitamine

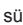
- Joon.5: 1. Võll 2. Kiirvahetatav puuripadrun  
3. Vahetuskate

Haarake vahetatav kate ja asetage kiirvahetatav puuripadrun tööriista võllile.

Kontrollige kiirvahetatava puuripadruni kindlalt paigas olekut, tõmmates seda mitu korda.

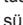
## Töörežiimi valimine

### Pöörlemine koos haamrifunktsiooniga

► Joon.6: 1. Lukustusnupp 2. Osuti 3. Muutmishoob  
Betooni, müüritise jms puurimiseks vajutage lukustusnupp alla ja keerake vahetushooba nii, et osuti näitaks sümboolile . Kasutage volframkarbiidotsaga otsakuid.

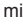
### Ainult pöörlemisfunktsioon

► Joon.7: 1. Lukustusnupp 2. Muutmishoob 3. Osuti

Puidu, metalli või plastmassi puurimiseks vajutage lukustusnupp alla ja keerake vahetushooba nii, et osuti näitaks sümboolile . Kasutage keerdpuuri või puidupuuri.

### Ainult haamrifunktsioon

► Joon.8: 1. Osuti 2. Muutmishoob 3. Lukustusnupp

Täksimiseks, pealiskihi eemaldamiseks või lammutustöödeks vajutage lukustusnupp alla ja keerake muutmishooba nii, et osuti näitaks sümboolile . Kasutage piiktera, külmeisililt, pealiskihi meisililt jne.

### ▲ ETTEVAATUST:

- Ärge pöörake muutmishooba siis, kui tööriist koormatult töötab. See kahjustab tööriista.
- Režiimimuutmise mehhanismi kiire kulumise vältimiseks veenduge, et vahetushoob oleks alati korralikult ühes kolmest töörežiimi asendist.

## Väändemomendi piirik

Väändemomendi piirik rakendub teatava väändemomendi taseme saavutamisel. Mootor lahutatakse ülekandevõllist. Sel juhul lakkab otsak pöörlemast.

### ▲ ETTEVAATUST:

- Niipea, kui väändemomendi piirik rakendub, lülitage tööriist kohe välja. See aitab vältida tööriista enneaegset kulumist.

## Märgutuli

► Joon.9: 1. Toite märgutuli (roheline) 2. Hoolduse märgutuli (punane)

Tööriista ühendamisel vooluvõrku süttib roheline toite märgutuli. Kui märgutuli ei sütti, on toitejuhe või kontrollid võib-olla defektne. Kui märgutuli põleb, kuid tööriist ei käivitu, ehkki on sisse lülitatud, on süsiharjad võib-olla kulunud või kontrollid, mootor või toitelüliti defektne. Kui süsiharjad on peaaegu lõpuni kulunud, süttib punane hoolduse märgutuli, andes märku vajadusest hoolduse järele. Pärast umbes 8-tunnist kasutamist lülitub mootor automaatselt välja.

## KOKKUPANEK

### ▲ ETTEVAATUST:

- Kandke alati enne tööriistal mingite tööde teostamist hoolt selle eest, et see oleks välja lülitatud ja vooluvõrgust lahti ühendatud.

## Külgkäepide

► **Joon.10:** 1. Külgkäepide

### ⚠ETTEVAATUST:

- Betooni, müüritise jms puurimisel kasutage tööohutuse tagamiseks alati külgkäepidet.

Külgkäepidet saab pöörata kummalegi küljele, võimaldades tööriista hõlpsalt käsitlemist igas asendis. Keerake külgkäepide vastupäeva lahtij ja pöörake see soovitud asendisse, seejärel keerake see päripäeva kinni.

## Otsaku paigaldamine või eemaldamine

► **Joon.11:** 1. Otsaku vars 2. Puurimääre

Enne paigaldamist puhastage otsaku vars ja kandke sellele puurimääret.

Pange otsak tööriista sisse. Keerake ja suruge otsakut, kuni see fikseerub.


► **Joon.12:** 1. Otsak 2. Padruni kate


Kui otsakut ei õnnestu sisse suruda, siis eemaldage see. Tõmmake padruni katet paar korda alla. Seejärel pange otsak uuesti sisse. Keerake ja suruge otsakut, kuni see fikseerub. Pärast paigaldamist veenduge alati, et otsak on kindlalt paigas, proovides seda välja tõmmata. Otsaku eemaldamiseks tõmmake padruni kate lõpuni alla ja tõmmake otsak välja.

► **Joon.13:** 1. Otsak 2. Padruni kate

## Otsaku kaldenurk (täksimisel, pealiskihi eemaldamisel või lammutustöödel)

► **Joon.14:** 1. Muutmishoob 2. Lukustusnupp 3. Osuti

Otsaku saab fikseerida 24 erineva nurga all. Otsaku nurga muutmiseks vajutage lukustusnupp alla ja pöörake vahetushooba nii, et osuti näitaks sümboolile . Seadke otsak soovitud nurga alla.

Vajutage lukustusnupp alla ja keerake muutmishooba nii, et osuti näitaks sümboolile . Seejärel veenduge, et otsak on kindlalt paigas, proovides seda pisut keerata.

## Sügavuse piiraja

► **Joon.15:** 1. Sügavuse piiraja 2. Pitskruvi

Sügavuse piiraja on mugav abivahend ühesuguse sügavusega aukude puurimiseks. Lõdvendage pitskruvi ja reguleerige sügavuse piiraja soovitud sügavusele. Pärast reguleerimist keerake pitskruvi korralikult kinni.

### MÄRKUS:

- Sügavuse piirajat ei tohi kasutada asendis, kus see puutub vastu ülekandaajami või mootori korpust.

## Tolmutops

► **Joon.16:** 1. Tolmutops

Ülespoole suunatud puurimisel kasutage tolmutopsi, et vältida tolmu langemist tööriistale ja kasutajale. Kinnitage tolmutops joonisel näidatud viisil otsaku külge. Tolmutopsi saab kinnitada järgmise suurusega otsakutele.

	Otsaku läbimõõt
Tolmutops nr 5	6 mm - 14,5 mm
Tolmutops nr 9	12 mm - 16 mm


## TÖÖRIISTA KASUTAMINE

### ⚠ETTEVAATUST:

- Kasutage alati külgkäepidet (abikäepide) ning hoidke tööriista töö ajal kindlalt nii külgkäepidemest kui lülitiga käepidemest.

## Löökpuurimise režiim

► **Joon.17**

Seadke muutmishoob sümboolile . Asetage otsak augu jaoks valitud kohale ning tõmmake siis lüliti päästikut. Ärge tööriista jõuga tagant sundige. Parimad tulemused saavutatakse kerge survega. Hoidke tööriist õiges asendis ning vältige selle august väljalibisemist. Ärge rakendage lisajõudu, kui auk ummistub laastude või osakestega. Selle asemel laske tööriistal käia tühi-käigul, siis eemaldage otsak osaliselt august. Korras tegevi sedategevust mitu korda, saab auk puhtaks ja võite jätkata tavapärase puurimisega.

### ⚠ETTEVAATUST:

- Kui otsak hakkab betooni läbistama või pörkab vastu betooni sarrust, võib tööriist anda ohtliku tagasilöögi. Ohtliku tagasilöögi vältimiseks toetuge tasakaalu hoides kindlalt jalgadele ning hoidke tööriista tugevasti mõlema käega.


## Väljapuhke kolb (lisatarvik)

► **Joon.18:** 1. Väljapuhke kolb

Kui auk on valmis puuritud kasutage väljapuhke kolbi, et auku tolmust puhastada.

## Täksimine / pealiskihi eemaldamine / lammutustööd

► **Joon.19**

Seadke muutmishoob sümboolile . Hoidke tööriista kindlalt kahe käega. Lülitage tööriist sisse ja avaldage sellele kergert survet, et tööriist ei pööraks kontrollimatult tagasi. Liiga suur surve tööriistale ei muuda tööd tõhusamaks.

## Puidu või metalli puurimine

► **Joon.20:** 1. Padruniadapter 2. Võtmeta puuripadrun

► **Joon.21:** 1. Võll 2. Kiirvahetatav puuripadrun 3. VahetusKate

► **Joon.22:** 1. Hülss 2. Rõngas

## Mudelitele HR3200C, HR3210C

Kasutage lisavarustusse kuuluvat puuripadruni moodulit. Selle paigaldamisel juhendage eelmisel leheküljel olevast lõigust „Otsaku paigaldamine või eemaldamine“.

Seadke muutmishoob nii, et osuti näitaks sümboolile .



## Mudelile HR3210FCT

Kasutage standardvarustusena kiirvahetatavat puuripadrunit. Selle paigaldamisel juhinduge eelmisel leheküljel olevast lõigust „SDS-plusi kiirvahetuspadruni vahetamine“.

Hoidke padrunirõngast käega kinni ja keerake pakkide avamiseks padruni keret vastupäeva. Paigaldage otsak padrunisse maksimaalsele sügavusele. Hoidke padrunirõngast kindlalt kinni ja pingutamiseks keerake padruni keret päripäeva. Otsaku eemaldamiseks hoidke padrunirõngas paigal ja keerake padruni keret vastupäeva.


Seadke vahetushoob sümboolile .

Metalli saab puurida kuni 13 mm läbimõõduga auke ja puitu 32 mm läbimõõduga auke.

### **ETTEVAATUST:**

- Kui tööriistale on paigaldatud kiirvahetatav puuripadrun, ärge kunagi kasutage pöörlemisfunktsiooni koos haamrifunktsiooniga. Kiirvahetatav puuripadrun võib olla kahjustatud.
- Liiga suur surve seadmele ei kiirenda puurimist. Liigne surve hoopis kahjustab puuri tippu, vähendab seadme efektiivsust ja lühendab seadme töiga.
- Materjali läbistamisel rakendub tööriistale/otsakule väga suur väände jõud. Hoidke tööriista kindlalt ning olge tähelepanelik, kui otsak hakkab puuritavat materjalist läbi tungima.
- Väiksed töödeldavad detailid kinnitage alati kas kruustangide või sarnaste abivahenditega.

## Teemant-südamikupuuri kasutamine

Teemant-südamikupuuriga töötamisel seadke ainult pöörlemisfunktsiooni kasutamiseks muutmishoob alati asendisse .

### **ETTEVAATUST:**

- Kui teemant-südamikupuuri kasutada töörežiimis „pöörlemisfunktsioon koos haamrifunktsiooniga“, võib teemant-südamikupuur puruneda.

## HOOLDUS

### **ETTEVAATUST:**

- Kandke alati enne kontroll- või hooldustoimingu teostamist hoolt selle eest, et tööriist oleks välja lülitatud ja vooluvõrgust lahti ühendatud.
- Ärge kunagi kasutage bensiini, vedeldit, alkoholi ega midagi muud sarnast. Selle tulemuseks võib olla luitumine, deformatsioon või pragunemine.

## Õlitamine

### **ETTEVAATUST:**

- Seda tööd peaks tegema ainult Makita ametlik hoolduskeskus.

Kuna sel tööriistal on õlitussüsteem, ei nõua see iga-päevast või iga tunni järel õlitamist. Seda tuleb regulaarselt uuesti õlitada. Saatke tööriist õlitamiseks tervikuna Makita ametlikku või tehase hoolduskeskusesse. Toote OHUTUSE ja TÖÖKINDLUSE tagamiseks tuleb vajalikud remonttööd ning muud hooldus- ja reguleerimistööd lasta teha Makita ametlikus hoolduskeskuses. Alati tuleb kasutada Makita varuosi.

## VALIKULISED TARVIKUD

### **ETTEVAATUST:**

- Neid tarvikuid ja lisaseadiseid on soovitatav kasutada koos Makita tööriistaga, mille kasutamist selles kasutusjuhendis kirjeldatakse. Muude tarvikute ja lisaseadiste kasutamisega kaasneb vigastada saamise oht. Kasutage tarvikuid ja lisaseadiseid ainult otstarvetel, milleks need on ette nähtud.

Saate vajadusel kohalikust Makita teeninduskeskusest lisateavet nende tarvikute kohta.

- SDS-Plus karbiidotsaga otsakud
- Piiktera
- Südamikupuur
- Külmeisel
- Teemant-südamikupuur
- Vasaramääre
- Pealiskihhi meisel
- Soonepeitel
- Puuripadrundi moodul
- Puuripadrun S13
- Padruniadapter
- Padrunivõti S13
- Puurimääre
- Külgkäepide
- Sügavuse piiraja
- Väljapuhke kolb
- Tolmutops
- Kaitseprillid
- Plastist kandekohver

**MÄRKUS:** Mõned nimekirjas loetletud tarvikud võivad kuuluda standardvarustusse ning need on lisatud tööriista pakendisse. Need võivad riigiti erineda.

## ТЕХНИЧЕСКИЕ ХАРАКТЕРИСТИКИ

Модель		HR3200C	HR3210C	HR3210FCT
Производительность	Бетон	Долото с наконечником из сплава карбида вольфрама	32 мм	
		Колонковое долото	90 мм	
	Сталь		13 мм	
	Дерево		32 мм	
Число оборотов без нагрузки (мин <sup>-1</sup> )		315 - 630		
Ударов в минуту		1 650 - 3 300		
Общая длина		398 мм		424 мм
Вес нетто		4,8 кг	5,2 кг	5,4 кг
Класс безопасности		□/II		

- Благодаря нашей постоянно действующей программе исследований и разработок, указанные здесь технические характеристики могут быть изменены без предварительного уведомления.
- Технические характеристики могут различаться в зависимости от страны.
- Масса в соответствии с процедурой ЕРТА 01/2003

### Назначение

Данный инструмент предназначен для ударного сверления кирпича, бетона и камня, а также для долбления.

### Источник питания

Данный инструмент должен подключаться к источнику питания с напряжением, соответствующим напряжению, указанному на идентификационной пластинке, и может работать только от однофазного источника переменного тока. В соответствии с европейским стандартом данный инструмент имеет двойную изоляцию и поэтому может подключаться к розеткам без провода заземления.

### Шум

Типичный уровень взвешенного звукового давления (A), измеренный в соответствии с EN60745:

#### Модель HR3200C, HR3210C

Уровень звукового давления ( $L_{pA}$ ): 89 дБ (A)

Уровень звуковой мощности ( $L_{WA}$ ): 100 дБ (A)

Погрешность (K): 3 дБ (A)

#### Модель HR3210FCT

Уровень звукового давления ( $L_{pA}$ ): 88 дБ (A)

Уровень звуковой мощности ( $L_{WA}$ ): 99 дБ (A)

Погрешность (K): 3 дБ (A)

**Используйте средства защиты слуха**

### Вибрация

Суммарное значение вибрации (сумма векторов по трем осям) определяется по следующим параметрам EN60745:

#### Модель HR3200C

Рабочий режим: сверление с перфорацией в бетоне

Распространение вибрации ( $a_{h,HD}$ ): 18,0 м/с<sup>2</sup>

Погрешность (K): 1,5 м/с<sup>2</sup>

Рабочий режим: обработка долотом

Распространение вибрации ( $a_{h,CHeq}$ ): 12,5 м/с<sup>2</sup>

Погрешность (K): 1,5 м/с<sup>2</sup>

Рабочий режим: сверление металла

Распространение вибрации ( $a_{h,D}$ ): 2,5 м/с<sup>2</sup> или менее

Погрешность (K): 1,5 м/с<sup>2</sup>

### Модель HR3210C

Рабочий режим: сверление с перфорацией в бетоне

Распространение вибрации ( $a_{h,HD}$ ): 10,0 м/с<sup>2</sup>

Погрешность (K): 1,5 м/с<sup>2</sup>

Рабочий режим: обработка долотом

Распространение вибрации ( $a_{h,CHeq}$ ): 7,5 м/с<sup>2</sup>

Погрешность (K): 1,5 м/с<sup>2</sup>

Рабочий режим: сверление металла

Распространение вибрации ( $a_{h,D}$ ): 2,5 м/с<sup>2</sup> или менее

Погрешность (K): 1,5 м/с<sup>2</sup>

### Модель HR3210FCT

Рабочий режим: сверление с перфорацией в бетоне

Распространение вибрации ( $a_{h,HD}$ ): 10,0 м/с<sup>2</sup>

Погрешность (K): 1,5 м/с<sup>2</sup>

Рабочий режим: обработка долотом

Распространение вибрации ( $a_{h,CHeq}$ ): 8,0 м/с<sup>2</sup>

Погрешность (K): 1,5 м/с<sup>2</sup>

Рабочий режим: сверление металла

Распространение вибрации ( $a_{h,D}$ ): 2,5 м/с<sup>2</sup> или менее

Погрешность (K): 1,5 м/с<sup>2</sup>

**ПРИМЕЧАНИЕ:** Заявленное значение распространения вибрации измерено в соответствии со стандартной методикой испытаний и может быть использовано для сравнения инструментов.

**ПРИМЕЧАНИЕ:** Заявленное значение распространения вибрации можно также использовать для предварительных оценок воздействия.

**⚠ОСТОРОЖНО:** Распространение вибрации во время фактического использования электроинструмента может отличаться от заявленного значения в зависимости от способа применения инструмента.

**⚠ОСТОРОЖНО:** Обязательно определите меры безопасности для защиты оператора, основанные на оценке воздействия в реальных условиях использования (с учетом всех этапов рабочего цикла, таких как выключение инструмента, работа без нагрузки и включение).

## Только для европейских стран

### Декларация о соответствии ЕС

Makita Corporation, являясь ответственным производителем, заявляет, что следующие устройство (-а) Makita:

Обозначение устройства:

Перфоратор

Модель/Тип: HR3200C, HR3210C, HR3210FCT

являются серийными изделиями и

Соответствует (-ют) следующим директивам ЕС: 2006/42/EC

и изготовлены в соответствии со следующими стандартами или нормативными документами:

EN60745

Техническая документация хранится у официального представителя в Европе:

Makita International Europe Ltd.

Michigan Drive, Tongwell,

Milton Keynes, MK15 8JD, England

30.1.2009



Tomoyasu Kato (Томояшу Като)

Директор

Makita Corporation

3-11-8, Sumiyoshi-cho,

Anjo, Aichi, JAPAN

### Общие рекомендации по технике безопасности для электроинструментов

**⚠ ПРЕДУПРЕЖДЕНИЕ** Ознакомьтесь со всеми инструкциями и рекомендациями по технике безопасности. Невыполнение инструкций и рекомендаций может привести к поражению электротоком, пожару и/или тяжелым травмам.

**Сохраните брошюру с инструкциями и рекомендациями для дальнейшего использования.**

### ПРАВИЛА ТЕХНИКИ БЕЗОПАСНОСТИ ПРИ ОБРАЩЕНИИ С ПЕРФОРАТОРОМ

1. Пользуйтесь средствами защиты органов слуха. Воздействие шума может привести к потере слуха.
2. Используйте дополнительную ручку (если входит в комплект инструмента). Утрата контроля над инструментом может привести к травме.
3. Если при выполнении работ существует риск контакта режущего инструмента со скрытой электропроводкой или собственным шнуром питания, держите электроинструмент за специально предназначенные изолированные поверхности. Контакт с проводом под напряжением приведет к тому, что металлические детали инструмента также будут под напряжением, что приведет к поражению оператора электрическим током.

4. Надевайте защитную каску, защитные очки и/или защитную маску. Обычные или солнцезащитные очки НЕ являются защитными очками. Также настоятельно рекомендуется надевать противопылевой респиратор и перчатки с толстыми подкладками.
5. Перед выполнением работ убедитесь в надежном креплении биты.
6. При нормальной эксплуатации инструмент может вибрировать. Винты могут раскрутиться, что приведет к поломке или несчастному случаю. Перед эксплуатацией тщательно проверяйте затяжку винтов.
7. В холодную погоду, или если инструмент не использовался в течение длительного периода времени, дайте инструменту немного прогреться, включив его без нагрузки. Это размягчит смазку. Без надлежащего прогрева ударное действие будет затруднено.
8. При выполнении работ всегда занимайте устойчивое положение. При использовании инструмента на высоте убедитесь в отсутствии людей внизу.
9. Крепко держите инструмент обеими руками.
10. Руки должны находиться на расстоянии от движущихся деталей.
11. Не оставляйте работающий инструмент без присмотра. Включайте инструмент только тогда, когда он находится в руках.
12. При выполнении работ не направляйте инструмент на кого-либо, находящегося в месте выполнения работ. Бита может выскочить и привести к травме других людей.
13. Сразу после окончания работ не прикасайтесь к бите или к деталям в непосредственной близости от нее. Бита может быть очень горячей, что приведет к ожогам кожи.
14. Некоторые материалы могут содержать токсичные химические вещества. Примите соответствующие меры предосторожности, чтобы избежать вдыхания или контакта с кожей таких веществ. Соблюдайте требования, указанные в паспорте безопасности материала.

### СОХРАНИТЕ ДАННЫЕ ИНСТРУКЦИИ.

**⚠ ОСТОРОЖНО: НЕ ДОПУСКАЙТЕ**, чтобы удобство или опыт эксплуатации данного устройства (полученный от многократного использования) доминировали над строгим соблюдением правил техники безопасности при обращении с этим устройством. **НЕПРАВИЛЬНОЕ ИСПОЛЬЗОВАНИЕ** инструмента или несоблюдение правил техники безопасности, указанных в данном руководстве, может привести к тяжелой травме.

# ОПИСАНИЕ ФУНКЦИОНИРОВАНИЯ

## ⚠ВНИМАНИЕ:

- Перед проведением регулировки или проверки работы инструмента всегда проверяйте, что инструмент выключен, а шнур питания вынут из розетки.

## Действие выключателя

► **Рис.1:** 1. Курковый выключатель

## ⚠ВНИМАНИЕ:

- Перед включением инструмента в розетку, всегда проверяйте, что триггерный переключатель работает надлежащим образом и возвращается в положение "ВЫКЛ", если его отпустить.

Для запуска инструмента просто нажмите триггерный переключатель. Отпустите триггерный переключатель для остановки.

## Включение ламп

### Для модели HR3210FCT

► **Рис.2:** 1. Лампа

## ⚠ВНИМАНИЕ:

- Не смотрите непосредственно на свет или источник света.

Для включения лампы нажмите на триггерный переключатель. Отпустите переключатель для выключения лампы.

## ПРИМЕЧАНИЕ:

- Используйте сухую ткань для очистки грязи с линзы лампы. Следите за тем, чтобы не поцарапать линзу лампы, так как это может уменьшить освещение.

## Изменение скорости

► **Рис.3:** 1. Регулировочный диск

Количество оборотов и ударов в минуту можно установить поворотом регулировочного диска. Диск снабжен метками - от 1 (самая низкая скорость) до 5 (максимальная скорость).

Ниже приведена таблица, на которой указано соотношение между числовыми метками на регулировочном диске и количеством оборотов/ударов в минуту.

Число на регулировочном диске	Оборотов в минуту	Ударов в минуту
5	630	3 300
4	590	3 100
3	480	2 500
2	370	1 900
1	315	1 650

## ⚠ВНИМАНИЕ:

- Если инструментом пользоваться непрерывно на низкой скорости в течение продолжительного времени, двигатель будет перегружен, и это приведет к поломке инструмента.
- Диск регулировки скорости можно поворачивать только до цифры 5 и обратно до 1. Не пытайтесь повернуть его дальше 5 или 1, так как функция регулировки скорости может выйти из строя.

## Замена быстро сменяемого патрона для SDS-plus

### Для модели HR3210FCT

Быстро сменяемый патрон для SDS-plus можно легко поменять на быстро сменяемый сверлильный патрон.

### Снятие быстро сменяемого патрона для SDS-plus

► **Рис.4:** 1. Быстро сменяемый патрон для SDS-plus 2. Сменная крышка 3. Крышка патрона

## ⚠ВНИМАНИЕ:

- Перед тем, как снять быстросъемный патрон для SDS-plus, обязательно извлеките сверло.

Удерживая крышку замены большим и средним пальцами, подайте ее в направлении, указанном стрелкой 1. Установив крышку замены в указанное положение, удерживайте крышку патрона указательным пальцем. Удерживая крышку патрона таким образом, одним движением подайте быстросъемный патрон для SDS-plus в направлении, указанном стрелкой 2.

### Крепление быстро сменяемого сверлильного патрона

► **Рис.5:** 1. Шпindelь 2. Быстро сменяемый сверлильный патрон 3. Сменная крышка


Возьмитесь за крышку замены и установите быстросъемный сверлильный патрон на сверлильный шпindelь.

Убедитесь в том, что быстросъемный сверлильный патрон зафиксирован, для чего потяните за него несколько раз.

## Выбор режима действия

### Вращение с ударным действием

► **Рис.6:** 1. Кнопка блокировки 2. Указатель 3. Рычаг изменения

Для сверления бетона, кирпича и т.п. нажмите кнопку фиксации и поверните рычаг переключения в положение . Используйте сверло с наконечником из карбида вольфрама.

## Только вращение

- **Рис.7:** 1. Кнопка блокировки 2. Рычаг изменения  
3. Указатель

Для сверления дерева, металла или пластика нажмите кнопку фиксации и поверните рычаг переключения в положение . Используйте спиральное сверло или сверло по дереву.

## Только ударное действие

- **Рис.8:** 1. Указатель 2. Рычаг изменения  
3. Кнопка блокировки

Для операций расщепления, скобления или разрушения нажмите кнопку блокировки и поверните рычаг переключения так, чтобы стрелка указывала на символ . Воспользуйтесь пирамидальным долотом, слесарным зубилом, зубилом для скобления и т.д.

### ВНИМАНИЕ:

- Не вращайте рычаг переключения, когда инструмент работает под нагрузкой. Это приведет к повреждению инструмента.
- Во избежание ускоренного износа механизма переключения режима его рычаг всегда должен быть установлен строго в одно из трех рабочих положений.

## Ограничитель крутящего момента

Ограничитель крутящего момента срабатывает при достижении определенного уровня крутящего момента. Двигатель отключится от выходного вала. Если это произойдет, бита перестанет вращаться.

### ВНИМАНИЕ:

- Как только включится ограничитель крутящего момента, немедленно отключите инструмент. Это поможет предотвратить преждевременный износ инструмента.

## Индикаторная лампа

- **Рис.9:** 1. Индикаторная лампа включения питания (зеленая) 2. Лампа индикатор обслуживания (красная)

Зеленая индикаторная лампа включения электропитания загорается при включении инструмента в розетку. Если индикаторная лампа не загорается, это может быть связано с неисправностью шнура электропитания или контроллера. Если индикаторная лампа загорается, но инструмент не включается даже при его включении, это может указывать на износ угольных щеток, неисправность в контроллере, двигателе или выключателе ON/OFF. Красная сервисная индикаторная лампа загорается при почти полном износе угольных щеток, указывая на то, что инструмент требует проведения техобслуживания. Двигатель автоматически отключится после около 8 часов работы.

## МОНТАЖ

### ВНИМАНИЕ:

- Перед проведением каких-либо работ с инструментом всегда проверяйте, что инструмент выключен, а шнур питания вынут из розетки.

## Боковая ручка

- **Рис.10:** 1. Боковая ручка

### ВНИМАНИЕ:

- Всегда пользуйтесь боковой рукояткой для обеспечения безопасной работы при сверлении в бетоне, камне и т.д.

Боковая рукоятка может поворачиваться в любую сторону, что упрощает использование инструмента во всех положениях. Ослабьте крепление боковой рукоятки, повернув ее против часовой стрелки, затем установите ее в нужное положение и закрепите путем поворота рукоятки по часовой стрелке.

## Установка или снятие биты

- **Рис.11:** 1. Хвостовик биты 2. Смазка биты

Очистите хвостовик биты и нанесите смазку для бит перед ее установкой. Вставьте биту в инструмент. Поверните биту, толкая ее вниз, до тех пор, пока не будет обеспечено сцепление.

- **Рис.12:** 1. Бита 2. Крышка патрона

Если не удастся при нажиме вставить биту, выньте ее из инструмента. Несколько раз нажмите вниз крышку патрона. Затем снова вставьте биту. Поверните биту, толкая ее вниз, до тех пор, пока не будет обеспечено сцепление.

После установки всегда проверяйте надежность крепления биты, попытайтесь вытащить ее. Чтобы удалить биту, нажмите вниз на крышку патрона и вытащите биту.

- **Рис.13:** 1. Бита 2. Крышка патрона

## Угол биты (при расщеплении, скоблении или разрушении)

- **Рис.14:** 1. Рычаг изменения 2. Кнопка блокировки 3. Указатель

Сверло (резец) можно закрепить под 24 различными углами. Для изменения угла установки сверла (резца) нажмите кнопку фиксации и поверните рычаг переключения таким образом, чтобы указатель располагался напротив символа . Поверните сверло на необходимый угол.

Нажмите кнопку блокировки и поверните рычаг переключения, чтобы стрелка указывала на символ . После этого проверьте надежность крепления биты на месте, немного повернув ее.

## Глубиномер

### ► Рис.15: 1. Глубиномер 2. Винт зажима

Глубиномер удобен при сверлении отверстий одинаковой глубины. Ослабьте зажимной винт и установите глубиномер на нужную глубину. После регулировки крепко затяните зажимной винт.

#### ПРИМЕЧАНИЕ:

- Глубиномер нельзя использовать в месте, где глубиномер ударяется о корпус редуктора/двигателя.

## Колпак для пыли

### ► Рис.16: 1. Колпак для пыли

Используйте колпак для пыли для предотвращения падения пыли на инструмент и на Вас при выполнении сверления над головой. Прикрепите колпак для пыли к бите, как показано на рисунке. Размер бит, к которым можно прикрепить колпак для пыли, следующий.

	Диаметр биты
Пылезащитная манжета 5	6 мм - 14,5 мм
Пылезащитная манжета 9	12 мм - 16 мм


## ЭКСПЛУАТАЦИЯ

#### ⚠ ВНИМАНИЕ:

- Всегда пользуйтесь боковой рукояткой (вспомогательной ручкой) и при работе крепко держите инструмент и за боковую рукоятку, и за ручку переключения.

## Сверление с ударным действием

### ► Рис.17

Переведите рычаг переключения в положение символа .

Расположите биты в желаемом положении в отверстии, затем нажмите триггерный переключатель. Не прилагайте к инструменту усилий. Легкое давление дает лучшие результаты. Держите инструмент в рабочем положении и следите за тем, чтобы он не выскальзывал из отверстия.

Не применяйте дополнительное давление, когда отверстие засорится щепками или частицами. Вместо этого, включите инструмент на холостом ходу, затем постепенно выньте сверло из отверстия. Если эту процедуру проделать несколько раз, отверстие очистится, и можно будет возобновить обычное сверление.

#### ⚠ ВНИМАНИЕ:

- Когда бита начнет пробиваться сквозь бетон или наткнется на стержневую арматуру в бетоне, инструмент может опасно среагировать. Соблюдайте хороший баланс и безопасную стойку, крепко удерживая инструмент обеими руками для предотвращения опасной реакции.


## Груша для продувки (дополнительная принадлежность)

### ► Рис.18: 1. Груша для выдувки

После сверления отверстия воспользуйтесь грушей для продувки, чтобы выдуть пыль из отверстия.

## Расщепление/Скобление/ Разрушение

### ► Рис.19

Переведите рычаг переключения в положение символа .

Держите инструмент крепко обеими руками. Включите инструмент и немного надавите на него, чтобы предотвратить неконтролируемое подпрыгивание инструмента. Слишком сильное нажатие на инструмент не повысит эффективность.

## Сверление дерева или металла


► Рис.20: 1. Переходник патрона 2. Сверлильный патрон без ключа

► Рис.21: 1. Шпindelь 2. Быстро сменяемый сверлильный патрон 3. Сменная крышка

► Рис.22: 1. Втулка 2. Кольцо

## Для модели HR3200C, HR3210C


Используйте дополнительный сверлильный патрон. При его установке, см. параграф "Установка или снятие биты" на предыдущей странице.

Переведите рычаг переключения в такое положение, в котором стрелка будет указывать на символ .

## Для модели HR3210FCT

Используйте быстро сменяемый сверлильный патрон как стандартное оборудование. При его установке, см. параграф "Замена быстро сменяемого сверлильного патрона для SDS-plus" на предыдущей странице.


Удерживайте кольцо и поверните втулку против часовой стрелки для освобождения кулачков зажимного патрона. Вставьте биты в зажимной патрон как можно глубже. Крепко удерживая кольцо, поверните втулку по часовой стрелке для затяжки зажимного патрона. Для снятия биты удерживайте кольцо и поверните втулку против часовой стрелки.

Установите рычаг переключения в положение . Вы можете просверлить отверстие диаметром до 13 мм в металле и до 32 мм в дереве.

### **⚠ВНИМАНИЕ:**

- Запрещается использовать режим сверления с перфорацией, если на инструменте установлен быстросъемный зажимной патрон. Это может привести к поломке быстросъемного зажимного патрона.
- Чрезмерное нажатие на инструмент не ускорит сверление. На самом деле, чрезмерное давление только повредит наконечник Вашего сверла, снизит производительность инструмента и сократит срок его службы.
- Когда просверливаемое отверстие становится сквозным, на инструмент/биту воздействует значительное усилие. Крепко удерживайте инструмент и будьте осторожны, когда сверло начинает проходить сквозь обрабатываемую деталь.
- Всегда закрепляйте небольшие обрабатываемые детали в тисках или подобном зажимном устройстве.

## **Сверление колонковым алмазным долотом**

При сверлении колонковым алмазным долотом всегда переводите рычаг переключения в положение  для использования "только вращения".

### **⚠ВНИМАНИЕ:**

- Если выполнять сверление колонковым алмазным долотом с использованием "вращения с ударным действием", колонковое алмазное долото можно повредить.

## **ТЕХОБСЛУЖИВАНИЕ**

### **⚠ВНИМАНИЕ:**

- Перед проверкой или проведением техобслуживания убедитесь, что инструмент выключен, а штекер отсоединен от розетки.
- Запрещается использовать бензин, лигроин, растворитель, спирт и т.п. Это может привести к изменению цвета, деформации и появлению трещин.

## **Смазка**

### **⚠ВНИМАНИЕ:**

- Эту процедуру обслуживания следует выполнять только в уполномоченных сервисных центрах Makita или в мастерских предприятия-изготовителя.

Этот инструмент не требует выполнения ежечасной или ежедневной смазки, так как он оснащен встроенной системой смазки. Следует регулярно менять смазку. Для выполнения такого технического обслуживания системы смазки отправьте инструмент в уполномоченный сервисный центр Makita или в мастерскую предприятия-изготовителя.

Для обеспечения БЕЗОПАСНОСТИ и НАДЕЖНОСТИ инструмента выполняйте его ремонт, обслуживание или регулировку только в авторизованных сервисных центрах компании Makita и с использованием только оригинальных запасных частей компании Makita.

## **ДОПОЛНИТЕЛЬНЫЕ ПРИНАДЛЕЖНОСТИ**

### **⚠ВНИМАНИЕ:**

- Эти принадлежности или насадки рекомендуются использовать вместе с вашим инструментом Makita, описанным в данном руководстве. Использование каких-либо других принадлежностей или насадок может представлять опасность получения травм. Используйте принадлежность или насадку только по указанному назначению.

Если вам необходимо содействие в получении дополнительной информации по этим принадлежностям, свяжитесь со своим местным сервис-центром Makita.

- Биты с твердосплавной режущей пластиной SDS-Plus
- Пирамидальное долото
- Колонковое долото
- Слесарное зубило
- Колонковое алмазное долото
- Смазка для молотка
- Зубило для скобления
- Канавочное зубило
- Сверлильный патрон
- Сверлильный патрон S13
- Переходник патрона
- Патронный ключ S13
- Смазка биты
- Боковая ручка
- Глубиномер
- Груша для продувки
- Колпак для пыли
- Защитные очки
- Пластмассовый чемодан для переноски

**ПРИМЕЧАНИЕ:** Некоторые элементы списка могут входить в комплект инструмента в качестве стандартных приспособлений. Они могут отличаться в зависимости от страны.

# Makita Corporation

3-11-8, Sumiyoshi-cho,  
Anjo, Aichi 446-8502 Japan

[www.makita.com](http://www.makita.com)

884769B987 EN, SV, NO, FI, LV, LT, ET, RU 20161003
-------------------------------------------------------------