

Wire Tracer

XT25

- ▶ For quick tracing and identification of wire pairs
- ▶ For tracing and detecting cables among other cables
- ▶ Suitable for both used & unused pairs
- ▶ Enables interference-free listening and voltage detection of pair



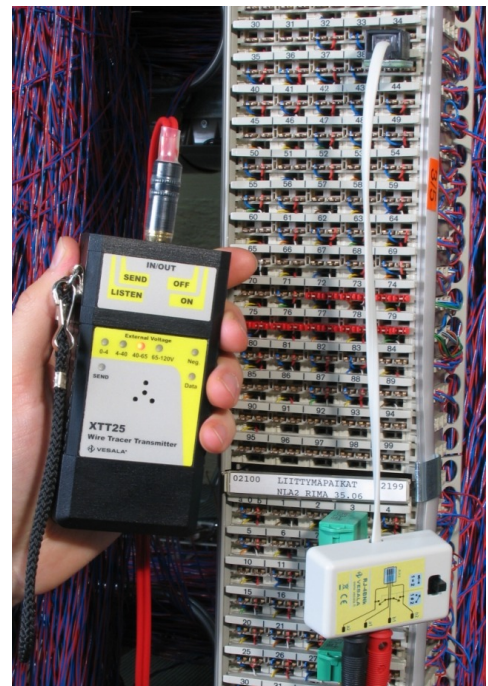
► The Versatile Wire Tracer

Wire tracer XT25 is designed for tracing and finding wire pairs for example in cross connections and distributing terminals and tracing certain cables on cable shelves etc. The XT25 is a complete cable tracing equipment that has been simplified to be easy to use and fast especially for tasks as above. Transmitter XTT25 also includes an interference free high impedance listening (tapping) of pairs as well as data indicator and informative DC voltage and polarity indication.

High impedance listening and pair identification

The high impedance listening feature of the transmitter enables the user to identify a pair before actually sending any signal to it. It is important to use this feature first with pairs that are in use, as the sending may disturb the pair.

If there is a DC-voltage on the pair one of the external voltage leds will be lit together with polarity indication. Correspondingly, if there is data on the pair, a special data led will be lit. Speech e.g. on telephone pairs can be heard through the loudspeaker. High impedance listening does not interfere the communication in the pair.

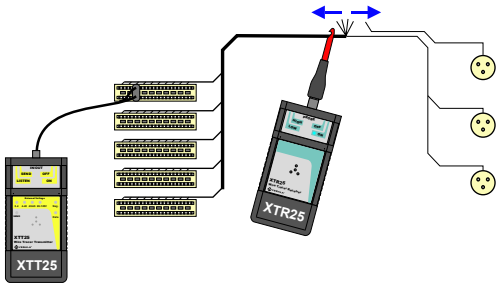


How to trace wire pairs?

Tracing of pairs is simple: transmitter XTT25 is connected to the pair in sending mode. Receiver XTR25 is equipped with the KA6 probe and the transmitter signal is traced with it. High/low sensitivity switch enables control to the received signal volume. The signal can be heard through unshielded cable insulation as well as at terminals and joints without galvanically

touching the wires. The XT25 is well suited for tracing cross-connection pairs and single pairs from terminal blocks. The new hook-shaped KA6 probe helps pulling out the found pair. Short-circuiting the correct pair will give final verification; signal disappears at the receiver and the transmitter starts to beep. The XT25 operates in a similar way with both unused pairs and used pairs.

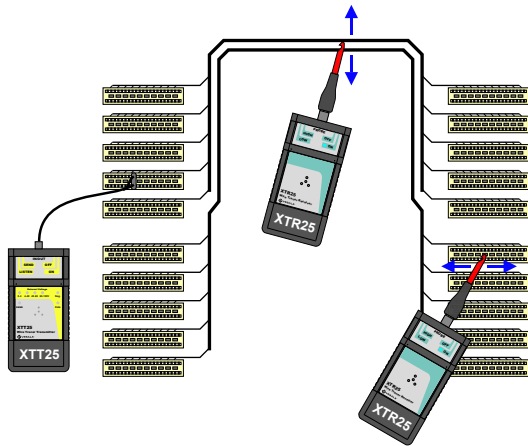
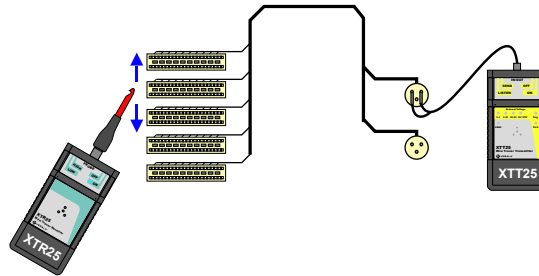
Examples of pair tracing



A certain pair is easy to find e.g. at a cable joint with the XT25. This is useful when reserved pairs in a cable have to be traced and taken into use.

If even a small current can be induced into a pair with the transmitter, it can be traced with inductive probes LA5 or LA1.

A typical situation is the tracing of a subscriber line in the house MDF. Just connect the transmitter to the pair in the apartment and trace the pair at the terminal blocks fast and easy.

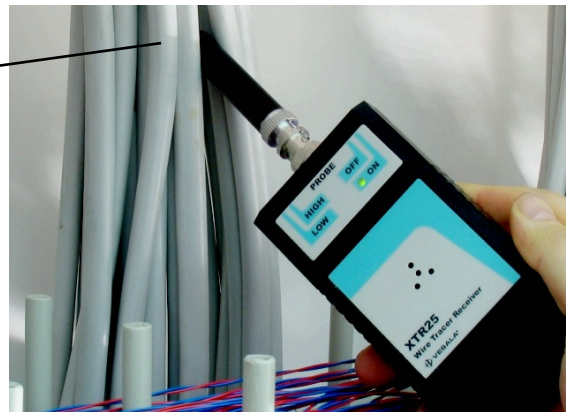
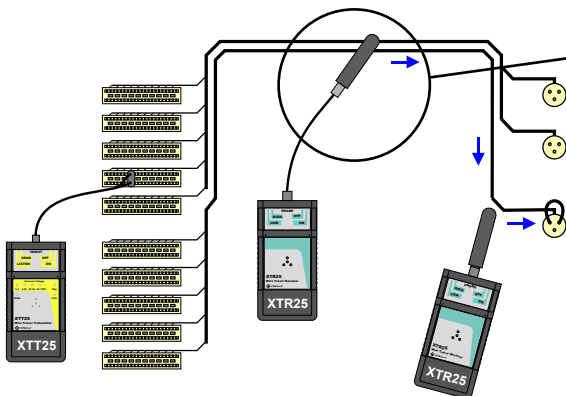


For instance in exchanges and centrals there are large cross-connection racks, which contain thousands of pairs. These may be very hard to trace. With the XT25 pairs can be traced without pulling them. The pairs can be followed all the way on shelves and the other end is detected reliably.

Tracing the route of a cable

For cable tracing or defining a certain cable among other cables, transmitter is connected to the cable so that a small current is generated. The magnetic field of this current can be

traced with the receiver and the inductive probes LA1 or LA5 (latter suitable in tight places). The field is detectable also through cable shielding.



General information

The XT25 Wire Tracer is delivered in a carrying bag KPP5, which provides room for other tools as well.

Both the transmitter XTT25 and the receiver XTR25 use a 9V battery. Both devices have a power-on led which will indicate when device is on and also warn of a weak battery by blinking.

Receiver probes can be attached either directly to the receiver or through the AK1 cable. Both devices have an internal loudspeaker, so separate headsets are not needed.



Technical specifications

Transmitter XTT25

SEND output signal

10kHz/340Hz 2.5V interrupted signal, output impedance approx. 60ohms

LISTEN input impedance

80kohm@5kHz, 45kohm@20kHz, 12kohm@100kHz, 3,3kohm@500kHz, 1,0kohm@2MHz

Indicators

4 voltage level leds, polarity led, data led and send mode led. Sound indications e.g. for data

Battery & power consumption

9V (1pc. IEC 6LR61), 8 - 42mA, low battery warning

Enclosure

ABS, 120 x 60 x 24mm

Receiver XTR25

Probe connector

BNC (male)

Indicators

Power led, sound indication for traced signal level

Battery & power consumption

9V (1pc. IEC 6LR61), 8 - 42mA, low battery warning

Enclosure

ABS, 120 x 60 x 24mm

Basic setup XT25

XTT25 (transmitter, for high impedance listening and sending tracing signal)

PJ15p (transmitter sending cord, 1.5m, RCA / 2x4mm banana plugs & crocodile clips), for connecting transmitter to pair etc.)

XTR25 (receiver, for tracing signals generated by the transmitter)

KA6 (capacitive hook probe, for pair identifying)

LA5 (inductive probe, for identifying & tracing shorted wire pairs and cables from others)

AK1 (probe cord, 1.2m BNC / BCN, for attaching probes to the receiver)

BNC-adapter (adapter for the AK1 cord)

User's manual

KPP5 (carrying bag, nylon, size 240x130x180mm)

Main accessories

SA10 (inductive rod probe)

PL20-10 (pipe transmitter, active sonde to trace the path of conduit, ducts and sewers)

Different kind of adapters (for LSA Plus etc)

© H.VESALA Ltd. 1902. Subject to change without notice. VESALA is a registered trademark of H.VESALA Ltd, Finland.

Manufacturer:

H.VESALA Ltd.

Peräsimentie 1
FI-03100 NUMMELA, FINLAND
Tel. +358 44 200 2005
E-mail: info@vesala.fi
Web: www.vesala.fi