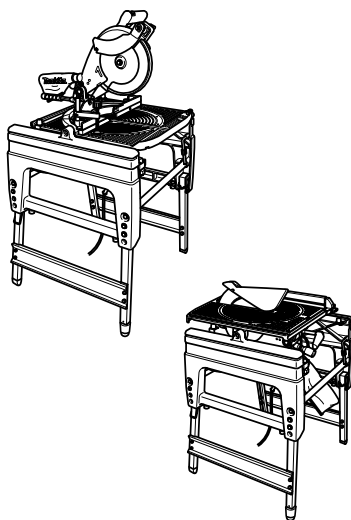
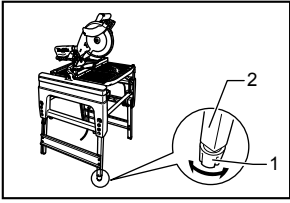




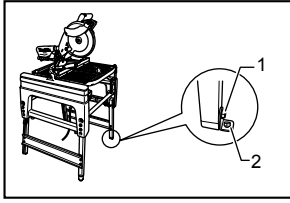
GB	Flip over saw	INSTRUCTION MANUAL
S	Klyv-, kap- och geringssåg	BRUKSANVISNING
N	Kombisag	BRUKSANVISNING
FIN	Kääntöpöytäsaaha	KÄYTTÖOHJE
LV	Divpusējs kombinētais zāģis	LIETOŠANAS INSTRUKCIJA
LT	Atverčiamas pjūklas	NAUDOJIMO INSTRUKCIJA
EE	Pöördsaa	KASUTUSJUHEND
RUS	Комбинированная Торцовочная Пила	РУКОВОДСТВО ПО ЭКСПЛУАТАЦИИ

LF1000

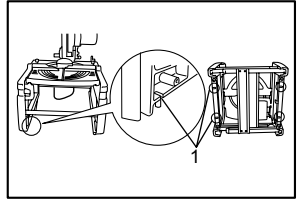




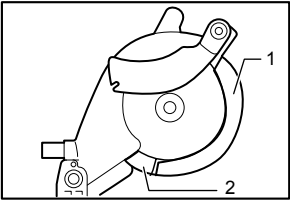
1 006027



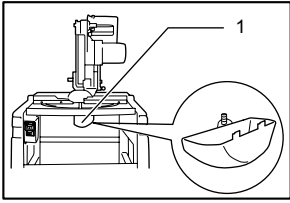
2 006028



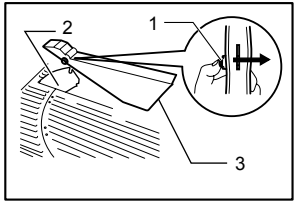
3 006029



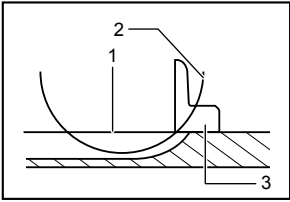
4 006030



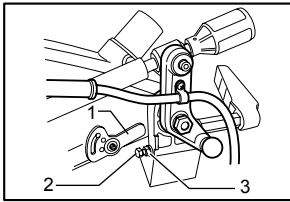
5 006031



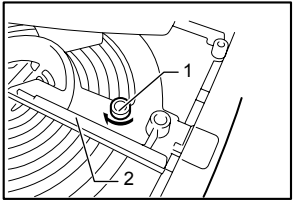
6 006073



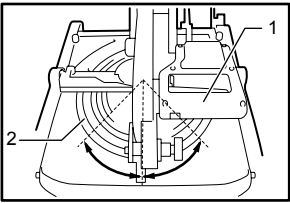
7 001540



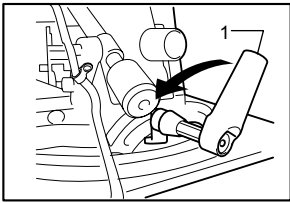
8 006033



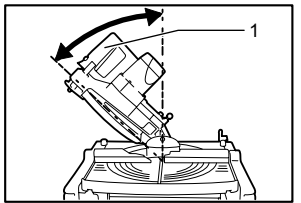
9 006034



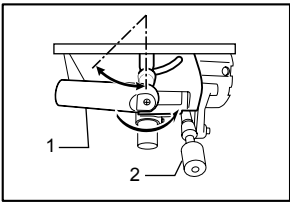
10 006035



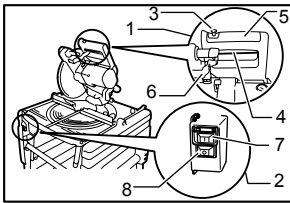
11 006036



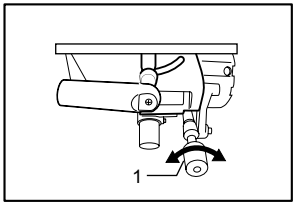
12 006037



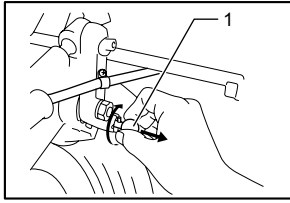
13 006038



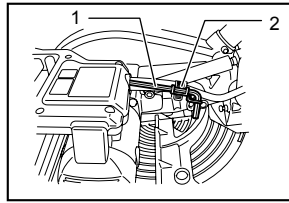
14 006039



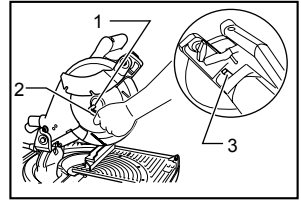
15 006040



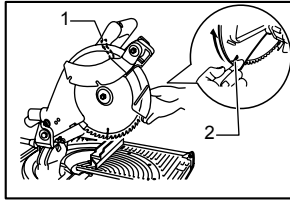
16 006041



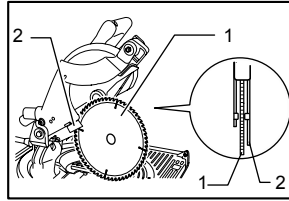
17 012645



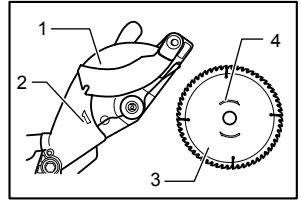
18 012641



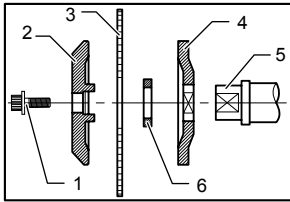
19 006046



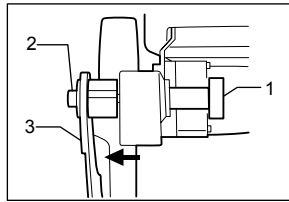
20 006047



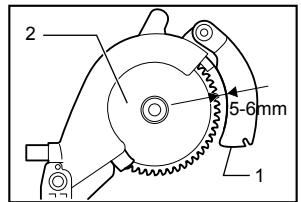
21 006048



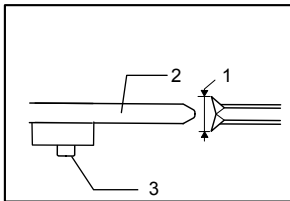
22 012642



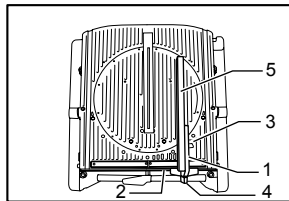
23 012643



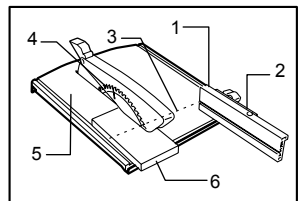
24 006051



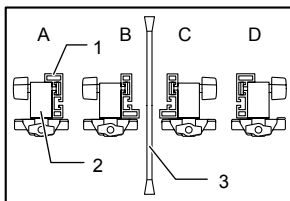
25 012644



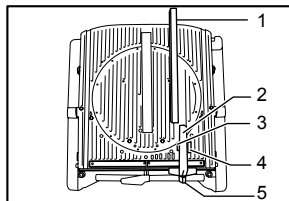
26 006053



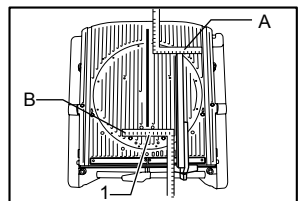
27 006054



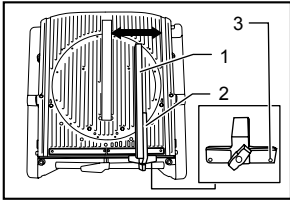
28 006055



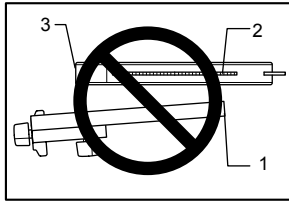
29 006056



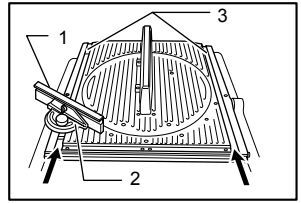
30 006057



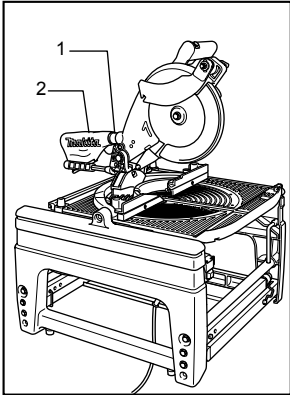
31 006058



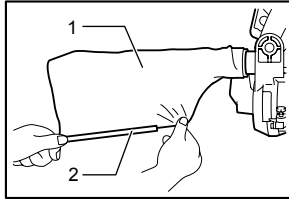
32 006059



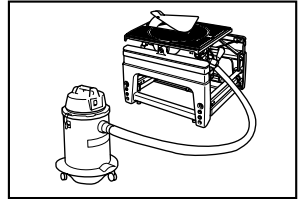
33 006060



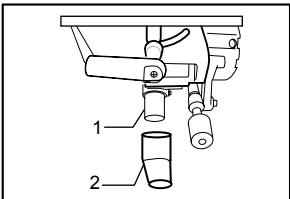
34 006061



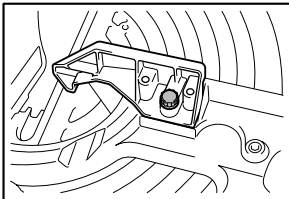
35 005560



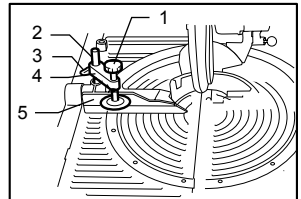
36 006062



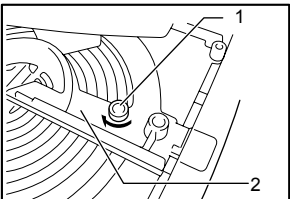
37 006063



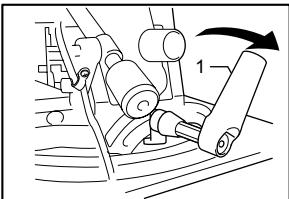
38 015233



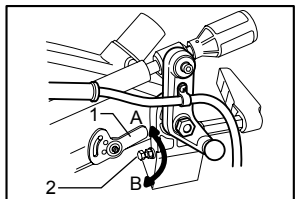
39 006064



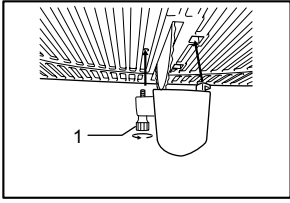
40 006065



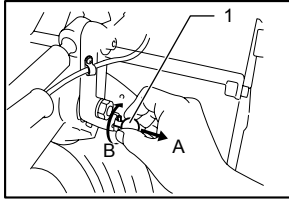
41 006066



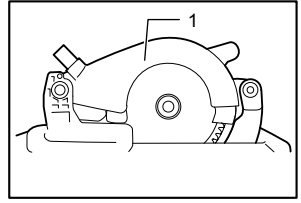
42 006067



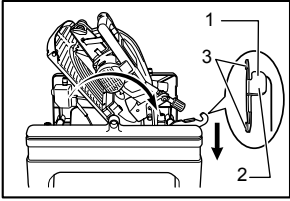
43 006072



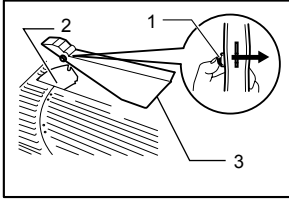
44 006069



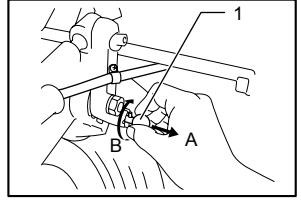
45 006070



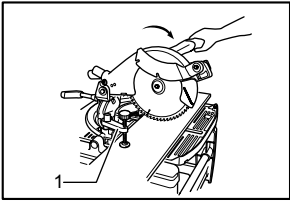
46 006071



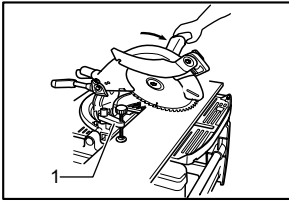
47 006073



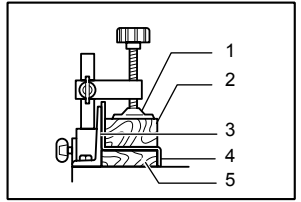
48 006074



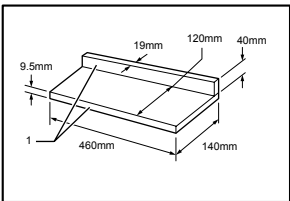
49 006078



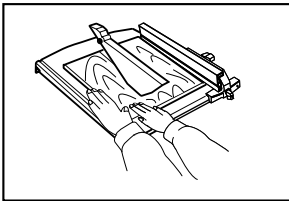
50 006079



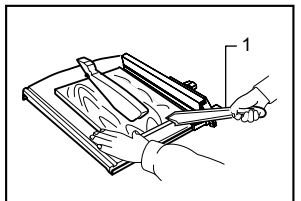
51 001844



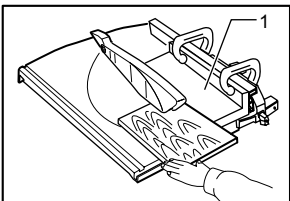
52 006081



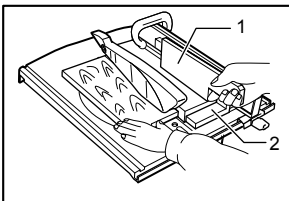
53 006082



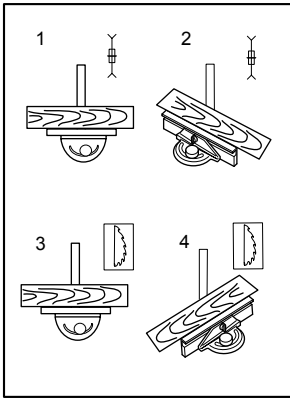
54 006083



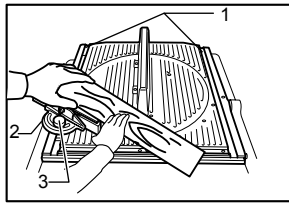
55 006084



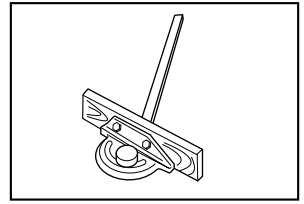
56 006085



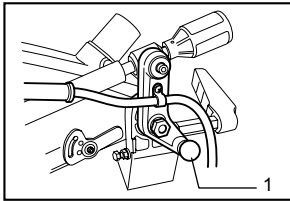
57 006086



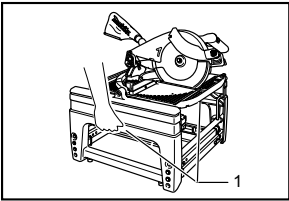
58 006088



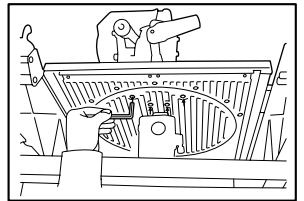
59 006087



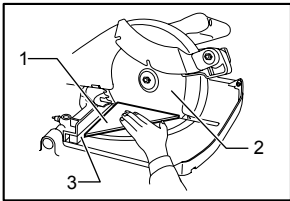
60 006089



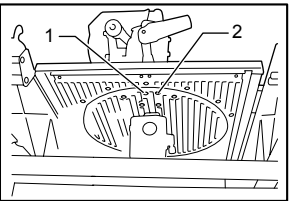
61 006090



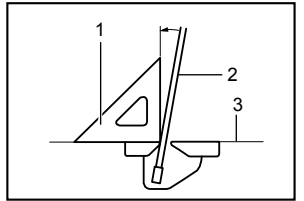
62 006091



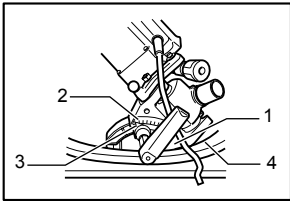
63 006092



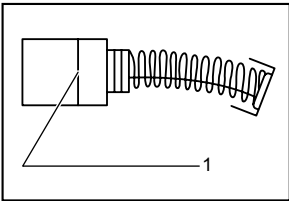
64 006093



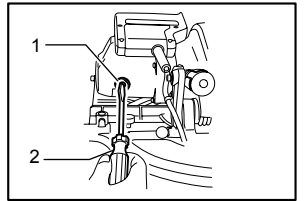
65 001819



66 006094



67 001145



68 006095

ENGLISH (Original instructions)

Explanation of general view

1-1. Adjusting nut	22-4. Inner flange	41-1. Lever
1-2. Foot	22-5. Spindle	42-1. Lower limit stopper
2-1. Hex. Bolt	22-6. Ring	42-2. Adjusting bolt
2-2. Fix plate	23-1. Clamping nut	43-1. Clamping screw
3-1. U-shaped grooves	23-2. Hex socket bolt	44-1. Stopper pin
4-1. Lower blade guard A	23-3. Riving knife	45-1. Saw head locked in the fully lowered position
4-2. Lower blade guard B	24-1. Riving knife	46-1. Lever
5-1. Lower blade guard C (used in the miter saw mode only)	24-2. Saw blade	46-2. Area of lever for hand/finger to be placed on
6-1. Push button	25-1. Blade width	46-3. Hooking parts
6-2. Riving knife	25-2. Riving knife	47-1. Push button
6-3. Top blade guard (used in the table saw mode)	25-3. Hex socket bolt	47-2. Riving knife
7-1. Top surface of turn base	26-1. Rip fence holder	47-3. Top blade guard (used in the table saw mode)
7-2. Periphery of blade	26-2. Guide rail	48-1. Stopper pin
7-3. Guide fence	26-3. Clamping screw (A)	49-1. Vise (accessory)
8-1. Lower limit stopper	26-4. Clamping screw (B)	50-1. Vise (accessory)
8-2. Adjusting bolt	26-5. Rip fence	51-1. Vise
8-3. Nut	27-1. Rip fence	51-2. Spacer block
9-1. Clamping screw	27-2. Rip fence holder	51-3. Guide fence
9-2. Guide fence	27-3. Line to be aligned with:Line (A)	51-4. Aluminum extrusion
10-1. Handle	27-4. Saw blade	51-5. Spacer block
10-2. Turn table	27-5. Top table	52-1. Face/edge parallel
11-1. Lever	27-6. Workpiece	54-1. Push stick
12-1. Handle	28-1. Rip fence	55-1. Auxiliary fence
13-1. Lever	28-2. Rip fence holder	56-1. Push block
13-2. Cutting depth adjusting knob	28-3. Saw blade	56-2. Auxiliary fence
14-1. Switch in the miter saw mode	29-1. Rip fence	57-1. Cross cutting
14-2. Switch in the table saw mode	29-2. Rip fence holder	57-2. Mitering
14-3. Lock-off button	29-3. Square nut	57-3. Bevel cutting
14-4. Switch trigger	29-4. Clamping screw (A)	57-4. Compound mitering (angles)
14-5. Handle	29-5. Clamping screw (B)	58-1. Groove
14-6. Lever	30-1. Scale	58-2. Miter gauge
14-7. On button	31-1. Rip fence	58-3. Knob
14-8. Off button	31-2. Rip fence holder	60-1. Stopper pin
15-1. Cutting depth adjusting knob	31-3. Adjusting screw	61-1. Tool part to be held carrying
16-1. Stopper pin	32-1. Rip fence	63-1. Triangular rule
17-1. Hex wrench	32-2. Saw blade	63-2. Saw blade
17-2. Wrench holder	32-3. Top blade guard	63-3. Guide fence
18-1. Hex socket bolt	33-1. Miter gauge	64-1. 0° adjusting bolt
18-2. Hex wrench	33-2. Miter gauge	64-2. 45° adjusting bolt
18-3. Shaft lock	33-3. Grooves	65-1. Triangular rule
19-1. Lever	34-1. Dust nozzle	65-2. Saw blade
19-2. Lifting lever	34-2. Dust bag	65-3. Top surface of turn table
20-1. Saw blade	35-1. Dust bag	66-1. Arm
20-2. Lower blade guard B	35-2. Fastener	66-2. Bevel scale
21-1. Blade case	37-1. Dust nozzle	66-3. Pointer
21-2. Arrow	37-2. Elbow	66-4. Turn table
21-3. Saw blade	39-1. Vise knob	67-1. Limit mark
21-4. Arrow	39-2. Vise rod	68-1. Brush holder cap
22-1. Hex socket bolt	39-3. Clamping screw	68-2. Screwdriver
22-2. Outer flange	39-4. Vise arm	
22-3. Saw blade	39-5. Guide fence	
	40-1. Clamping screw	
	40-2. Guide fence	

SPECIFICATIONS

Model	LF1000
Blade diameter	260 mm
Blade body thickness	1.8 mm - 2.0 mm
Riving knife thickness	2.2 mm
Hole diameter	
For European countries	30 mm

Max. Cutting capacities (H x W) with blade 260 mm in diameter in the miter saw mode

Bevel angle	Miter angle
0°	20 mm x 180 mm
	68 mm x 155 mm
45° (left)	50 mm x 150 mm

Max. Cutting capacities at 90° in the table saw (bench saw mode)	70 mm
No load speed (min ⁻¹)	2,700
Table size (W x L)	500 mm x 555 mm
Dimensions (L x W x H1(note 1)/H2(note 2)) at miter saw mode	660 mm x 650 mm x 1,220 mm / 800 mm
in table saw mode	660 mm x 650 mm x 1,060 mm / 845 mm
Net weight	36 kg
Safety class	II

Note1 H1: Height up to the tool head

Note2 H2: Height up to the table

- Due to our continuing program of research and development, the specifications herein are subject to change without notice.
- Specifications may differ from country to country.
- Weight according to EPTA-Procedure 01/2003

END213-8

Symbols

The following show the symbols used for the equipment. Be sure that you understand their meaning before use.



- Read instruction manual.



- DOUBLE INSULATION



- To avoid injury from flying debris, keep holding the saw head down, after making cuts, until the blade has come to a complete stop.



- Do not place hand or fingers close to the blade.



- For your safety, remove the chips, small pieces, etc. from the table top before operation.



- Unplug the tool before turning it over around the axis.



- Position hands properly when carrying.



- Do not lift up the top end of the rip fence when installing or removing it.



- To loosen the bolt, turn it clockwise.



- Only for EU countries
Do not dispose of electric equipment together with household waste material! In observance of the European Directive, on Waste Electric and Electronic Equipment and its implementation in accordance with national law, electric equipment that have reached the end of their life must be collected separately and returned to an environmentally compatible recycling facility.

ENE061-1

Intended use

The tool is intended for accurate straight and miter cutting in wood. The tool can be used both in miter saw mode and in table saw mode by turning over the table around its axis.

ENF002-2

Power supply

The tool should be connected only to a power supply of the same voltage as indicated on the nameplate, and can only be operated on single-phase AC supply. They are double-insulated and can, therefore, also be used from sockets without earth wire.

Noise

The typical A-weighted noise level determined according to EN61029:

Sound pressure level (L_{pA}) : 91 dB (A)

Sound power level (L_{WA}) : 108 dB (A)

Uncertainty (K) : 3 dB (A)

Wear ear protection

ENG900-1

Vibration

The vibration total value (tri-axial vector sum) determined according to EN61029:

Vibration emission (a_h) : 2.5 m/s² or less

Uncertainty (K) : 1.5 m/s²

ENG901-1

- The declared vibration emission value has been measured in accordance with the standard test method and may be used for comparing one tool with another.
- The declared vibration emission value may also be used in a preliminary assessment of exposure.

⚠WARNING:

- The vibration emission during actual use of the power tool can differ from the declared emission value depending on the ways in which the tool is used.
- Be sure to identify safety measures to protect the operator that are based on an estimation of exposure in the actual conditions of use (taking account of all parts of the operating cycle such as the times when the tool is switched off and when it is running idle in addition to the trigger time).

ENH003-15

For European countries only**EC Declaration of Conformity**

Makita declares that the following Machine(s):

Designation of Machine:

Flip over saw

Model No./ Type: LF1000

Conforms to the following European Directives:

2006/42/EC

They are manufactured in accordance with the following standard or standardized documents:

EN61029

The technical file in accordance with 2006/42/EC is available from:

Makita, Jan-Baptist Vinkstraat 2, 3070, Belgium



000331

Yasushi Fukaya

Director

Makita, Jan-Baptist Vinkstraat 2, 3070, Belgium

GEA010-1

General Power Tool Safety Warnings

⚠ WARNING Read all safety warnings and all instructions. Failure to follow the warnings and instructions may result in electric shock, fire and/or serious injury.

Save all warnings and instructions for future reference.

ENB094-6

FLIP OVER SAW SAFETY WARNINGS

FOR BOTH MITER SAW MODE AND TABLE SAW (BENCH SAW) MODE:

1. Check the blade carefully for cracks or deformation before operation.
Replace damaged blade immediately.
2. Do not operate saw without guards and riving knife in place, especially after a mode change.
Check blade guards for proper closing before each use. Do not operate saw if blade guards do not move freely and close instantly. Never clamp or tie the blade guards into the open position. Any irregular operation of the blade guards should be corrected immediately.
3. Use only saw blades specified by the manufacturer and which conform to EN847-1. The groove width of the cut must be thicker than the riving knife and the blade body must be thinner than the riving knife.
4. Do not use saw blades manufactured from high speed steel.
5. Wear eye protection.
6. Wear hearing protection to reduce the risk of hearing loss.
7. Wear gloves for handling saw blades (saw blades shall be carried in a holder wherever practicable) and rough material.
8. Connect the tool to a dust collecting device when sawing.
9. Always store the push-stick when it is not in use.
10. Keep the floor area around the tool level well maintained and free of loose materials e.g. chips and cut-offs.

11. The operator is adequately trained in the use, adjustment and operation of the tool.
 12. Stop and unplug the saw when unattended.
 13. To reduce the emitted noise, always be sure that the blade is sharp and clean.
 14. Use only saw blades that are marked with a maximum speed equal to or higher than the no load speed marked on the tool.
 15. Never remove any cut-offs or other parts of the workpiece from the cutting area whilst the tool is running with an unguarded saw blade.
 16. The tool should not be used for slotting, rebating or grooving.
 17. Clean and be careful not to damage the spindle, flanges (especially the installing surface) and fixing bolt before or when installing the blade. Damage to these parts could result in blade breakage. Poor installation may cause vibration/wobbling or slippage of the blade. Use only flanges specified for this tool.
 18. Always use accessories recommended in this manual. Use of improper accessories such as abrasive cut-off wheels may cause an injury.
 19. Select the correct saw blade for the material to be cut.
 20. Do not cut metal objects such as nails and screws. Inspect for and remove all nails, screws and other foreign material from the workpiece before operation.
 21. Knock out any loose knots from workpiece BEFORE beginning to cut.
 22. Do not use the tool in the presence of flammable liquids or gases.
 23. For your safety, remove the chips, small pieces, etc. from the work area and table top before plugging the tool and starting operation.
 24. Keep hands and make your bystander and yourself position out of path of and not in line with saw blade. Avoid contact with any coasting blade. It can still cause severe injury and never reach around saw blade.
 25. Be alert at all times, especially during repetitive, monotonous operations. Do not be lulled into a false sense of security. Blades are extremely unforgiving.
 26. Make sure the shaft lock is released before the switch is turned on.
 27. Before using the tool on an actual workpiece, let it run for a while. Watch for vibration or wobbling that could indicate poor installation or a poorly balanced blade.
 28. Wait until the blade attains full speed before cutting.
 29. Refrain from removing any cut-offs or other parts of the workpiece from the cutting area whilst the tool is running and the saw head is not in the rest position.
 30. Stop operation immediately if you notice anything abnormal.
 31. Turn off tool and wait for saw blade to stop before moving workpiece or changing settings.
 32. Unplug tool before changing blade, servicing or not in use.
 33. Some dust created from operation contains chemicals known to cause cancer, birth defects or other reproductive harm. Some examples of these chemicals are:
 - lead from lead-based-painted material and,
 - arsenic and chromium from chemically-treated lumber.

Your risk from these exposures varies, depending on how often you do this type of work. To reduce your exposure to these chemicals: work in a well ventilated area and work with approved safety equipment, such as those dust masks that are specially designed to filter out microscopic particles.
 34. Make sure that the table is securely fixed with the lever after turning it over.
- WHEN USING IN MITER SAW MODE:**
35. Do not use the saw to cut other than wood, aluminum or similar materials.
 36. Do not perform any operation freehand. The workpiece must be secured firmly against the turn table and guide fence with the vise during all operations. Never use your hand to secure the workpiece.
 37. Ensure that the tool is stable before each cut.
 38. Support long workpieces with appropriate additional supports.
 39. Never cut so small workpiece which cannot be securely held by the vise. Improperly held workpiece may cause kickback and serious personal injury.
 40. Make sure that the turn table is properly secured so it will not move during operation.
 41. Make sure that the arm is securely fixed when beveling. Tighten the lever clockwise to fix the arm.
 42. Make sure the blade does not contact the turn table in the lowest position and is not contacting the workpiece before the switch is turned on.
 43. Hold the handle firmly. Be aware that the saw moves up or down slightly during start-up and stopping.
- WHEN USING IN THE TABLE SAW (BENCH SAW) MODE:**
44. Do not perform any operation freehand. Freehand means using your hands to support or guide the workpiece, in lieu of a rip fence.

45. **Make sure that the turn table is fixed securely.**
46. **Make sure that the arm is securely fixed in the working position. Tighten the lever clockwise to fix the arm.**
47. **Use a push stick or a push block to avoid working with the hands and fingers close to the saw blade.**
48. **Make sure the blade is not contacting the riving knife or workpiece before the switch is turned on.**
49. **Pay particular attention to instructions for reducing risk of KICKBACK. KICKBACK is a sudden reaction to a pinched, bound or misaligned saw blade. KICKBACK causes the ejection of the workpiece from the tool back towards the operator. KICKBACKS CAN LEAD TO SERIOUS PERSONAL INJURY. Avoid KICKBACKS by keeping the blade sharp, by keeping the rip fence parallel to the blade, by keeping the riving knife and blade guard in place and operating properly, by not releasing the workpiece until you have pushed it all the way past the blade, and by not ripping a workpiece that is twisted or warped or does not have a straight edge to guide along the fence.**
50. **Avoid abrupt, fast feeding. Feed as slowly as possible when cutting hard workpieces. Do not bend or twist workpiece while feeding. If you stall or jam the blade in the workpiece, turn the tool off immediately. Unplug the tool. Then clear the jam.**
51. **Before turning over the tool, always make sure that the stopper pin has securely locked the tool head in the lowest position.**

Fig.1

Install the fix plates with its angled end pointing outwards onto three feet of the tool with hex bolts. And secure the tool to the stable and level surface using bolt holes provided in the fix plates with three bolts.

Fig.2

For the folded feet set up as the low table

Fig.3

When the tool is ready in the foot-folded position, secure the tool by using U-shaped grooves shown in the figure.

SAVE THESE INSTRUCTIONS.

⚠WARNING:

DO NOT let comfort or familiarity with product (gained from repeated use) replace strict adherence to safety rules for the subject product. **MISUSE** or failure to follow the safety rules stated in this instruction manual may cause serious personal injury.

INSTALLATION

⚠CAUTION:

Keep the floor area around the tool level well maintained and free of loose materials such as chips and cut-offs.

Bench mounting

For the fully-extended feet set up as the high table

When the tool cannot be set up stable, turn the adjusting nut at the foot of the tool for proper stability. Turn counterclockwise in top viewing to make the foot shorter and clockwise in top viewing to make it longer. After adjustment, make sure that the tool keep stable.

FUNCTIONAL DESCRIPTION

⚠CAUTION:

- Always be sure that the tool is switched off and unplugged before adjusting or checking function on the tool.

Blade guard

Fig.4

Fig.5

Fig.6

⚠CAUTION:

- Make sure that the handle cannot be lowered without pushing the lever nearby the handle to the left.
- Make sure that the lower blade guards A dose not open unless the lever near the handle is pushed at the topmost position of the handle.
- Make sure that the lower blade guard C is installed before using in miter saw mode.

When lowering the handle while pushing the lever to the left, the lower blade guard A rises automatically. The lower blade guard B rises as it contacts a workpiece. The lower blade guards are spring loaded so it returns to its original position when the cut is completed and the handle is raised. The top blade guard falls flat on the table surface after workpiece has passed under it. NEVER DEFEAT OR REMOVE THE LOWER BLADE GUARDS, THE SPRING WHICH ATTACHES TO THE LOWER BLADE GUARD, OR THE TOP BLADE GUARD except for the note below.

In the interest of your personal safety, always maintain each blade guard in good condition. Any irregular operation of the guards should be corrected immediately. Check to assure spring loaded return action of the lower blade guards. NEVER USE THE TOOL IF THE LOWER BLADE GUARD, SPRING OR THE TOP BLADE GUARD ARE DAMAGED, FAULTY OR REMOVED except for the note below. DOING SO IS HIGHLY DANGEROUS AND CAN CAUSE SERIOUS PERSONAL INJURY.

NOTE:

- There are the following exceptions for removal of guards. Only when using in the table saw mode, the lower blade guard C is removed. Only when using in the miter saw mode, the top blade guard is removed.

If any of these see-through blade guards becomes dirty, or sawdust adheres to it in such a way that the blade is no longer easily visible, unplug the saw and clean the guards carefully with a damp cloth. Do not use solvents or any petroleum-based cleaners on the plastic guard.

If the lower blade guard A is especially dirty and vision through the guard is impaired, proceed as follows. Raise the handle fully. Remove the saw blade (Refer to the

section "Installing or removing saw blade"). Raise the lower blade guard A while pushing the lever to the left. With the lower blade guard A so positioned, cleaning can be more completely and efficiently accomplished. When cleaning is complete, reverse procedure above and secure bolt.

In the same case for the top blade guard as above stated, push in the button at its front to the surface top and remove the top blade guard. After cleaning, always reinstall it securely.

If any of these blade guards becomes discolored through age or UV light exposure, contact a Makita service center for a new guard. DO NOT DEFEAT OR REMOVE GUARDS.

Maintaining maximum cutting capacity

Fig.7

This tool is factory adjusted to provide the maximum cutting capacity for a 260 mm saw blade.

When installing a new blade, always check the lower limit position of the blade and if necessary, adjust it as follows:

⚠CAUTION:

- When making this adjustment, unplug the tool. First, unplug the tool. Lower the handle completely. Use the wrench to turn the adjusting bolt until the periphery of the blade extends slightly below the top surface of the turn table at the point where the front face of the guide fence meets the top surface of the turn table. With the tool unplugged, rotate the blade by hand while holding the handle all the way down to be sure that the blade does not contact any part of the lower base. Re-adjust slightly, if necessary.

⚠CAUTION:

- After installing a new blade, always be sure that the blade does not contact any part of the lower base when the handle is lowered completely. Always do this with the tool unplugged.

This tool can be used with or without the lower limit by shifting the lower limit stopper as shown in the figure.

To use the tool without the lower limit, turn the stopper end counterclockwise. Use in this position is proper to cut a wide and thin workpiece.

To use the tool with the lower limit, move the stopper end clockwise. Use in this position is proper to cut a thick workpiece.

Fig.8

Adjusting the miter angle

Fig.9

Fig.10

Loosen the clamping screw on the guide fence by turning counterclockwise. Turn the turn table by handle. When you have moved the handle to the position where the pointer points to the desired angle on the miter scale, securely tighten the clamping screw clockwise.

⚠CAUTION:

- When turning the turn table, be sure to raise the handle fully.
- After changing the miter angle, always secure the turn table by tightening the clamping screw firmly.

Adjusting the bevel angle

In the miter saw mode

Fig.11

Fig.12

To adjust the bevel angle, loosen the lever at the rear of the tool counterclockwise.

Push the handle to the left to tilt the saw blade until the pointer points to the desired angle on the bevel scale. Then tighten the lever clockwise firmly to secure the arm.

⚠CAUTION:

- When tilting the saw blade, be sure to raise the handle fully.
- After changing the bevel angle, always secure the arm by tightening the lever clockwise.

In the table saw mode

Fig.13

To adjust the bevel angle, loosen the lever under the table at the front of the tool counterclockwise.

Move the depth adjusting knob to the left to tilt the saw blade until the pointer points to the desired angle on the bevel scale. Then tighten the lever clockwise firmly to secure the arm.

Switch action

Fig.14

Switch for the miter saw mode

⚠CAUTION:

- Before plugging in the tool, always check to see that the switch lever actuates properly and returns to the "OFF" position when released.
- When not using the tool, remove the lock-off button and store it in a secure place. This prevents unauthorized operation.
- Do not pull the switch lever hard without pressing in the lock-off button. This can cause switch breakage.

To prevent the switch lever from being accidentally pulled, a lock-off button is provided. To start the tool, push the lock lever to the left, press in the lock-off button and then pull the switch lever. Release the switch lever to stop.

Switch for the table saw mode

⚠CAUTION:

- Before operation, make sure that the tool is turned on and off.

To start the tool, press the ON (I) button. To stop it, press the OFF (O) button.

Adjusting the depth of cut

Fig.15

The depth of cut can be adjusted by turning the cutting depth adjusting knob. Turn the cutting depth adjusting knob clockwise to raise the blade or counterclockwise to lower it.

⚠WARNING:

- Use a shallow depth setting when cutting thin materials in order to obtain a cleaner cut.

⚠CAUTION:

- The stopper pin cannot be turned with the tool head at fully lowered position. At this time, turn the knob counterclockwise slightly and the stopper pin can be released.

Fig.16

Overload protector

- Tools for 200 V or higher power supply only. Refer to nameplate on the tool for the rated voltage.
- When the load on the tool exceeds admissible levels, power to the motor is reduced to protect the motor from overheating. When the load returns to admissible levels, the tool will operate as normal.

ASSEMBLY

⚠CAUTION:

- Always be sure that the tool is switched off and unplugged before carrying out any work on the tool.

Hex wrench storage

Fig.17

The hex wrench is stored as shown in the figure. When using the hex wrench, pull it out of the wrench holder. After using the hex wrench, return it to the wrench holder.

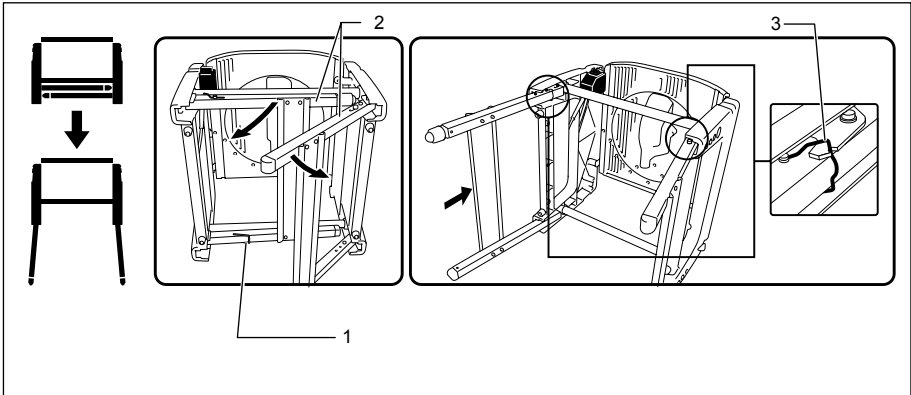
Table height two-way set up

The table height can be set up in two ways, high or low table.

⚠WARNING:

- Before falling down the tool backwards, always set the tool in the miter saw mode and lock the tool head in the lowest position.

1. High table set up



1. Hook
2. Feet
3. Stopper hook

006043

To set up the tool with high table, proceed as follows.

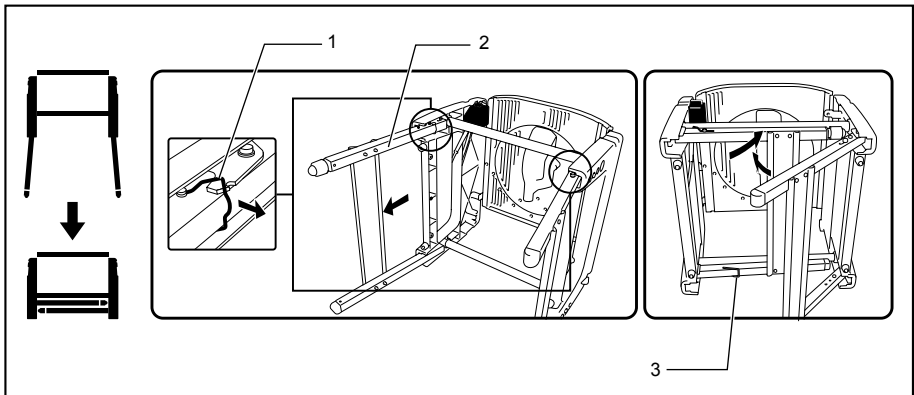
- (1) Fall down the tool carefully **BACKWARDS** without fail while holding it with both hands.
- (2) Turn the hook in the direction of arrow in the figure to unbundle the feet. Open the table feet on one side and push the bottom bar of the feet forward fully to be locked by itself. Take the same procedure for the feet on the

opposite side. Make sure that the feet at both sides are completely locked.

⚠WARNING:

- Make sure that the stopper hooks are perfectly positioned in the groove of the bracket.
- (3) Return the tool to the upright position.

2. Low table set up



1. Stopper hook
2. Feet
3. Hook

006044

The feet can be folded as shown in the figure. To fold down the tool, do as follows.

- (1) Fall down the tool carefully **BACKWARDS** without fail while holding it with both hands.
- (2) Pull up first the stopper at the joint of left feet toward yourself to unlock it.

- (3) Take the same steps for the opposite feet as above.
- (4) Use a hook to bundle these feet.
- (5) Return the tool to the upright position.

Installing or removing saw blade

⚠CAUTION:

- Always be sure that the tool is switched off and unplugged before installing or removing the blade.
- Use only the Makita hex wrench provided to install or remove the blade. Failure to do so may result in overtightening or insufficient tightening of the hex socket bolt. This could cause an injury.

Move up the handle in the fully raised position.

Press the shaft lock to lock the spindle, use the hex wrench to loosen the hex socket bolt clockwise.

Fig.18

Raise the blade guard A with its lifting lever while pushing the lever nearby the handle to the left. With the blade guard A raised, remove the hex socket bolt, outer flange and blade.

Fig.19

To install the blade, mount it carefully onto the spindle, making sure that the direction of the arrow on the surface of the blade matches the direction of the arrow on the blade case. Install the outer flange and hex socket bolt, and then use the hex wrench to tighten the hex socket bolt (left-handed) securely counterclockwise while pressing the shaft lock.

Fig.20

Fig.21

NOTE:

- When installing a saw blade, be sure to insert it between the blade guard B at first and then raise it so that the blade is finally placed in the blade guard B.

Fig.22

⚠CAUTION:

- The ring 25.4 mm or 30 mm in outer diameter is factory-installed onto the spindle. Before mounting the blade onto the spindle, always be sure that the correct ring for the arbor hole of the blade you intend to use is installed onto the spindle.

Return the lower blade guard A to its original position. Lower the handle to make sure that the lower blade guards move properly. Make sure shaft lock has released spindle before making cut.

Adjusting riving knife

Fig.23

There must be a clearance of about 5 - 6 mm between the riving knife and the blade teeth when pushing the riving knife toward the blade fully. Adjust the riving knife accordingly by first loosening clamping nut by hand counterclockwise and then loosening hex socket bolt counterclockwise with the hex wrench, and measuring the distance. After adjustment, securely tighten the hex socket bolt and then the clamping nut clockwise. Always check to see that the riving knife is secured and that the top blade guard works smoothly before cutting.

Fig.24

The riving knife has been installed before shipment from the factory so that the blade and riving knife are in a straight line after your simple set-up. Refer to the section titled " Repositioning riving knife " for the set-up.

Fig.25

⚠CAUTION:

- If the blade and riving knife are not aligned properly, a dangerous pinching condition may result during operation. Make sure the riving knife is positioned between both outer ends of the blade teeth when viewing from the top. You could suffer serious personal injury while using the tool without a properly aligned riving knife. If they are not aligned for any reasons, always have Makita authorized service center repair it.
- When adjusting the riving knife clearance from the blade teeth, always loosen the hex socket bolt only after loosening the clamping nut.

Installing and adjusting rip fence

Fig.26

1. Install the rip fence on the table so that the rip fence holder engages with the guide rail. Tighten the clamping screw (B) of the rip fence firmly clockwise.
2. Loosen the clamping screw (A).
3. Slide the rip fence and secure it so that the far end from you of the rip fence is aligned with the point at which the front edge of saw blade just appears from top surface of the workpiece. The purpose of this adjustment is to reduce risk of kick-back toward operator that cut piece from the workpiece is pinched between the saw blade and rip fence and finally pushed out toward operator. The line (A) varies by thickness of workpiece or the table level. Adjust the position of the rip fence according to the thickness of the workpiece. After adjusting the rip fence, tighten the clamping screw (A) firmly.

Fig.27

NOTE:

- There are four patterns to position the rip fence as shown in the figure. Rip fence has two slits on its sides, one slit with an elevated fringe nearby on the same side and the other without it. Use the surface of rip fence with this fringe facing the workpiece only when cutting off into a piece of a thin workpiece.

Fig.28

NOTE:

- To change the rip fence pattern, remove the rip fence from the rip fence holder by loosening the clamping screw (A) and change the facing of the rip fence to the rip fence holder so that the rip

fence faces the rip fence holder according to your work as shown in the figure.

Insert the square nut on the rip fence holder into the back end of either slit of the rip fence so that they fit as shown in the figure.

To change from the pattern A or B to the pattern C or D, or in adverse case, remove the square nut and clamping screw (A) from the rip fence holder, then position the clamping screw (A) and square nut on the opposite position of the rip fence holder compared to the original position. Tighten the clamping screw (A) securely after inserting the square nut of the rip fence holder into the rip fence slit.

Insert the square nut on the rip fence holder into the back end of either slit of the rip fence so that they fit as shown in the figure.

Fig.29

The rip fence is factory adjusted so that it is parallel to the blade surface. Make sure that it is parallel. To check to be sure that the rip fence is parallel with the blade, adjust the blade height with the cutting depth adjusting knob so that the blade appears at the topmost position from the table. Mark one of the blade teeth with a crayon. Measure the distance (A) and (B) between the rip fence and blade. Take both measurements using the tooth marked with the crayon. These two measurements should be identical. If the rip fence is not parallel with the blade, proceed as follows:

Fig.30

- (1) Turn the adjusting screw counterclockwise.

Fig.31

Fig.32

- (2) Shift the front edge of the rip fence slightly to right or left until it becomes parallel with the blade.
- (3) Tighten the adjusting screw on the rip fence firmly.

⚠CAUTION:

- Be sure to adjust the rip fence so that it is parallel with the blade, or a dangerous kickback condition may occur.
- Be sure to adjust the rip fence so that it does not contact the top blade guard or saw blade.
- Do not relocate or carry the tool by rip fence.
- Raising the installed rip fence or exerting a force on it to the right and left with your hand grabbing its top end may damage it and impair its function.

Installing and adjusting miter gauge

Fig.33

Install the miter gauge by inserting its shaft into one of two grooves in the table from the front. Miter gauge fence that is also used as rip fence can be installed on the miter gauge according to your work.

Dust bag

Fig.34

The use of the dust bag makes cutting operations clean and dust collection easy. To attach the dust bag, fit it onto the dust nozzle.

When the dust bag is about half full, remove the dust bag from the tool and pull the fastener out. Empty the dust bag of its contents, tapping it lightly so as to remove particles adhering to the insides which might hamper further collection.

Fig.35

If you connect a vacuum cleaner to your saw, more efficient and cleaner operations can be performed.

Fig.36

Elbow

Fig.37

⚠CAUTION:

- Point the discharge opening of the elbow to the direction in which the exhaust dust and chips do not fly out toward the tool and persons in work area.

Attach the elbow when changing the direction of dust discharge.

Securing workpiece

⚠WARNING:

- It is extremely important to always secure the workpiece properly and tightly with the vise. Failure to do so can cause the tool to be damaged and/or the workpiece to be destroyed. PERSONAL INJURY MAY ALSO RESULT. Also, after a cutting operation, DO NOT raise the blade until the blade has come to a complete stop.

Sub-fence

Fig.38

The sub-fence can be installed on the guide fence. When performing left bevel cuts or cutting as table saw (bench mode), remove the sub-fence.

⚠CAUTION:

- When performing left bevel cuts or cutting as table saw (bench mode), remove the sub-fence. Otherwise, it will contact the blade or a part of the tool, causing possible serious injury to the operator.

Vertical vise

Fig.39

The vertical vise can be installed in two positions on either the left or right side of the guide fence. Insert the vise rod into the hole in the guide fence and tighten the clamping screw to secure the vise rod.

Position the vise arm according to the thickness and shape of the workpiece and secure the vise arm by

tightening the clamping screw. If the screw to secure the vise arm contacts the guide fence, install the clamping screw on the opposite side of vise arm. Make sure that no part of the tool contacts the vise when lowering the handle all the way. If some part contacts the vise, re-position the vise.

Press the workpiece flat against the guide fence and the turn table. Position the workpiece at the desired cutting position and secure it firmly by tightening the vise knob.

⚠CAUTION:

- The workpiece must be secured firmly against the turn table and guide fence.

Setting up the tool in table saw mode

⚠CAUTION:

- Before use in the table saw mode, make sure that the turn table has been secured at 0° miter angle with the clamping screw on the guide fence.
- Before use in the table saw mode, make sure that the tool head has been secured with the lever.
- Before use in the table saw mode, make sure that the riving knife has been secured in place properly.

- Before use in the table saw mode, remove the lower blade guard C.
 - In table saw mode, release the lower limit stopper.
- The tool is shipped from the factory with the set-up in miter saw mode. Before use in table saw mode, change the set up and follow the procedure below.

1. Securing the turn table

Fig.40

To secure the turn table, tighten the clamping screw firmly on the guide fence at 0° miter angle.

2. Securing the tool head

Fig.41

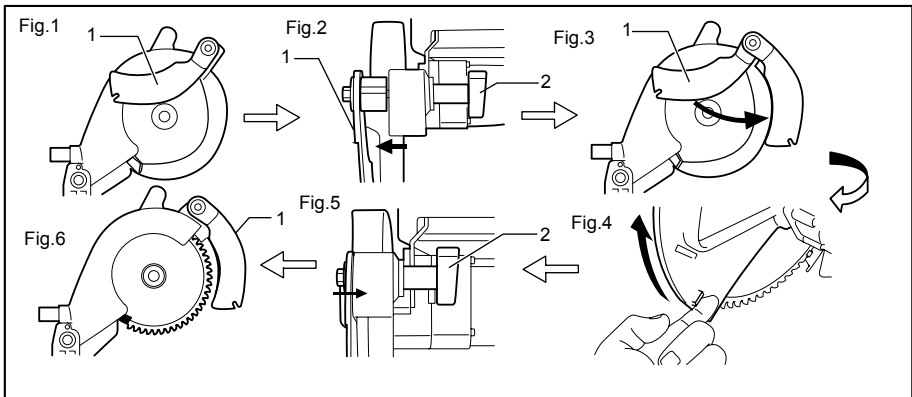
Secure the tool head by tightening the lever in the direction of arrow shown in the figure.

3. Releasing the lower limit stopper

Fig.42

Make sure that the end of the lower limit stopper is at the A position in the figure. Turn the end of the lower limit stopper counterclockwise to the A position when it is positioned at the B position.

4. Repositioning the riving knife



- 1. Riving knife
- 2. Clamping nut

006068

The position (Fig. 1) should be changed as follows.

- (1) Loosen the clamping nut (Fig. 2).
- (2) Pull and pivot the riving knife to the position at the angle of 90° in the direction of arrow (Fig. 3). And push in it slightly so that it become still in this position.
- (3) Raise the lower blade guard A fully using its lug by hand while pushing the lever nearby the handle to the left, and release the lever nearby the handle (Fig. 4).
- (4) Push the riving knife in the direction of arrow (see Fig. 5) so that it is aligned with the saw blade.

- (5) After pushing the riving knife in the direction of arrow shown in the figure, release the lower blade guard A.
- (6) After aligning the riving knife, tighten the clamping nut securely (see Fig. 6).

5. Removing the lower blade guard C

Fig.43

Remove the lower blade guard C from the table by loosening the clamping screw.

6. Locking the tool head at fully lowered position

Fig.44

Fig.45

After setting up the riving knife in position for table saw mode, pull the stopper in the direction of arrow A and turn it to the angle of 90° in the direction of arrow B with the stopper pulled. Then lower the handle to lock the tool head.

⚠CAUTION:

- When the tool head cannot be locked in the fully lowered position, turn the depth adjusting knob by several turns clockwise.
- Before turning over the tool, always make sure that the stopper pin has securely locked the tool head in the lowest position.

7. Turning over the tool

⚠WARNING:

- Make sure that the tool is switched off and unplugged before turning over.
- When pushing down the lever, be sure to place your hand/finger away from the lever-table fitting area.

Fig.46

Hold the middle edge of table with one hand, push the lever down with the other hand while holding the table edge firmly and pivot the table carefully to turn it over. Keep holding it until it locks.

8. Installing the top blade guard

Fig.47

Push the push button of the top blade guard to its side surface, place it on the notch of the riving knife with the button depressed and release the button. After releasing the push button, make sure that the top blade guard is secured by trying to pull it out.

⚠CAUTION:

- After installing the top blade guard, make sure that it works smoothly.

Setting up the tool in miter saw mode

⚠WARNING:

- Be sure to install the lower blade guard C before using the tool in miter saw mode.

To change the set up from table saw mode to miter saw mode, reverse the procedure of the section titled "Setting up the tool in table saw mode".

1. Removing the top blade guard

Push the push button of the top blade guard to its side surface and then just take away the top blade guard upward with the button depressed.

2. Installing the lower blade guard C

Place the lower blade guard C on the table so that it fits in the slot of the table and tightening the clamping screw firmly.

3. Turning over the tool

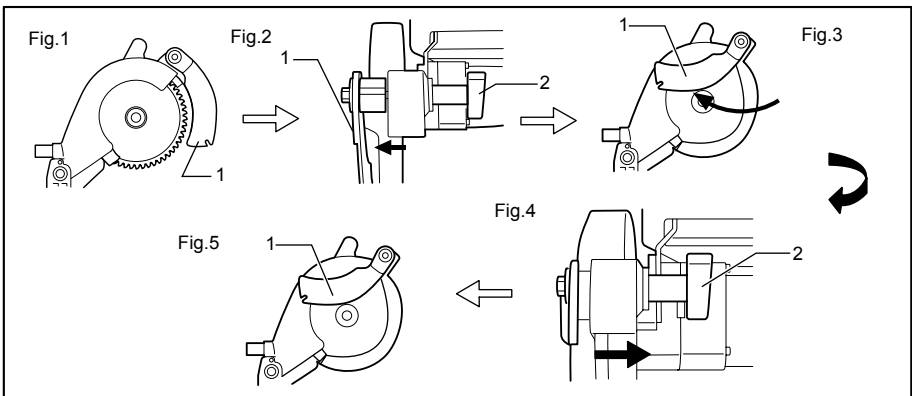
Refer to the same titled section in the "Setting up the tool in table saw mode".

4. Releasing the tool head from fully lowered position

Fig.48

While holding the handle, pull the stopper pin in the direction of arrow A, turn it to the angle of 90° in the direction of arrow B with the stopper pin pulled and then raise the handle slowly.

5. Repositioning riving knife



1. Riving knife
2. Clamping nut

006075

The position of riving knife (Fig. 1) should be changed as follows.

- (1) Loosen the clamping nut and hold the lower blade guard A using its lug by hand (Fig. 2).
- (2) While holding the lower blade guard A, pull the riving knife so that it turns and pivot it to the position in the direction of arrow (Fig. 3).
- (3) With the riving knife held in that position, return the lower blade guard A to the original position and tighten the clamping nut securely (Fig. 4, 5).

OPERATION

⚠CAUTION:

- Before use, be sure to release the handle from the lowered position by pulling the stopper pin and turning it to the angle of 90°.
- Make sure the blade is not contacting the workpiece, etc. before the switch is turned on.

CUTTING AS MITER SAW

⚠WARNING:

- Make sure that the lower blade guard C is installed before using in miter saw mode.

⚠CAUTION:

- Do not apply excessive pressure on the handle when cutting. Too much force may result in overload of the motor and/or decreased cutting efficiency. Push down handle with only as much force as is necessary for smooth cutting and without significant decrease in blade speed.
- Gently press down the handle to perform the cut. If the handle is pressed down with force or if lateral force is applied, the blade will vibrate and leave a mark (saw mark) in the workpiece and the precision of the cut will be impaired.

1. Press cutting

Fig.49

Secure the workpiece against guide fence and turn table. Switch on the tool without the blade making any contact and wait until the blade attains full speed before lowering. Then gently lower the handle to the fully lowered position to cut the workpiece. When the cut is completed, switch off the tool and WAIT UNTIL THE BLADE HAS COME TO A COMPLETE STOP before returning the blade to its fully elevated position.

2. Miter cutting

Refer to the previously covered "Adjusting the miter angle".

3. Bevel cut

Fig.50

Loosen the lever and tilt the saw blade to set the bevel angle (Refer to the previously covered "Adjusting the bevel angle"). Be sure to retighten the lever firmly to secure the selected bevel angle safely. Secure the workpiece against guide fence and turn table. Switch on the tool without the blade making any contact and wait until the blade attains full speed. Then gently lower the handle to the fully lowered position while applying pressure in parallel with the blade. When the cut is completed, switch off the tool and WAIT UNTIL THE BLADE HAS COME TO A COMPLETE STOP before returning the blade to its fully elevated position.

⚠CAUTION:

- Always be sure that the blade will move down to bevel direction during a bevel cut. Keep hands out of path of saw blade.
- During a bevel cut, it may create a condition whereby the piece cut off will come to rest against the side of the blade. If the blade is raised while the blade is still rotating, this piece may be caught by the blade, causing fragments to be scattered which is dangerous. The blade should be raised ONLY after the blade has come to a complete stop.
- When pressing the handle down, apply pressure parallel to the blade. If the pressure is not parallel to the blade during a cut, the angle of the blade might be shifted and the precision of the cut will be impaired.
- Always remove the sub-fence when performing left bevel cuts.

4. Compound cutting

Compound cutting is the process in which a bevel angle is made at the same time in which a miter angle is being cut on a workpiece. Compound cutting can be performed at angle shown in the table.

Bevel angle	Miter angle
45°	Left and Right 0° - 45°

006366

When performing compound cutting, refer to "Press cutting", "Miter cutting" and "Bevel cut" explanations.

5. Cutting aluminum extrusion

Fig.51

When securing aluminum extrusions, use spacer blocks or pieces of scrap as shown in the figure to prevent deformation of the aluminum. Use a cutting lubricant when cutting the aluminum extrusion to prevent build-up of the aluminum material on the blade.

⚠CAUTION:

- Never attempt to cut thick or round aluminum extrusions. Thick aluminum extrusions may come loose during operation and round aluminum extrusions cannot be secured firmly with this tool.
- Never cut aluminum in the table saw mode (bench mode).

CUTTING AS TABLE SAW (BENCH MODE)

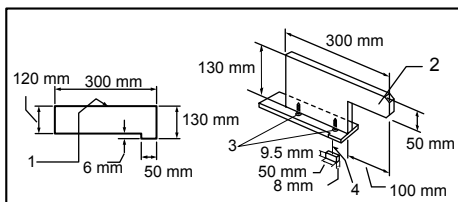
⚠CAUTION:

- Always use "work helpers" such as push sticks and push blocks when there is a danger that your hands or fingers will come close to the blade.
- Always hold the workpiece firmly with the table and the rip fence. Do not bend or twist it while feeding. If the workpiece is bent or twisted, dangerous kickbacks may occur.
- NEVER withdraw the workpiece while the blade is running. If you must withdraw the workpiece before completing a cut, first switch the tool off while holding the workpiece firmly. Wait until the blade has come to a complete stop before withdrawing the workpiece. Failure to do so may cause dangerous kickbacks.
- NEVER remove cut-off material while the blade is running.
- NEVER place your hands or fingers in the path of the saw blade.
- Always secure the rip fence firmly, or dangerous kickbacks may occur.
- Always use "work helpers" such as push sticks and push blocks when cutting small or narrow workpieces, or when the is hidden from view while cutting.
- When cutting as table saw (bench mode), remove the sub-fence.

Work helpers

Push sticks, push blocks or auxiliary fence are types of "work helpers". Use them to make safe, sure cuts without the need for the operator to contact the blade with any part of the body.

Push block



1. Face/edge parallel
2. handle
3. Wood screw
4. Guide together

006080

Use a 19 mm piece of plywood.

Handle should be in center of plywood piece. Fasten with glue and wood screws as shown. Small piece 9.5 mm x 8 mm x 50 mm of wood must always be glued to plywood to keep the blade from dulling if the operator cuts into push block by mistake. (Never use nails in push block.)

Auxiliary fence

Fig.52

Make auxiliary fence from 9.5 mm and 19 mm plywood pieces.

Ripping

⚠CAUTION:

- When ripping, remove the miter gauge from the table.
 - When cutting long or large workpieces, always provide adequate support behind the table. DO NOT allow a long board to move or shift on the table. This will cause the blade to bind and increase the possibility of kickback and personal injury. The support should be at the same height as the table.
1. Adjust the depth of cut a bit higher than the thickness of the workpiece. To make this adjustment, refer to the section titled " Adjusting the depth of cut ".
 2. Position the rip fence to the desired width of rip and secure in place by tightening the clamping screw (A). Before ripping, make sure the two screws of the rip fence holder are secured. If it is not secured enough, retighten it.
 3. Turn the tool on and gently feed the workpiece into the blade along with the rip fence.
 - (1) When the width of rip is 150 mm and wider, carefully use one hand to feed the workpiece. Use another hand to hold the workpiece in position against the rip fence.

Fig.53

- (2) When the width of rip is 65 mm - 150 mm wide, use the push stick to feed the workpiece.

Fig.54

- (3) When the width of rip is narrower than 65 mm, the push stick cannot be used because the push stick will strike the blade guard. Use the auxiliary fence and push block. Attach the auxiliary fence to the rip fence with two "C" clamps.

Fig.55

Feed the workpiece by hand until the end is about 25 mm from the front edge of the top table. Continue to feed using the push block on the top of the auxiliary fence until the cut is complete.

Fig.56

Cross cutting

⚠CAUTION:

- When making a crosscut, remove the rip fence from the table.
- When cutting long or large workpieces, always provide adequate support to the sides of the table. The support should be at the same height as the table.
- Always keep hands away from the path of blade.

Miter gauge

Use the miter gauge for the 4 types of cutting shown in the figure.

Fig.57

⚠CAUTION:

- Secure the knob on the miter gauge carefully.
- Avoid creep of workpiece and gauge by firm work-holding arrangement, especially when cutting at an angle.
- NEVER hold or grasp the intended "cut-off" portion of the workpiece.

Use of miter gauge

Fig.58

Slide the miter gauge into the thick grooves in the table. Loosen the knob on the gauge and align to desired angle (0° to 60°). Bring stock flush up against fence and feed gently forward into the blade.

Auxiliary wood facing (miter gauge)

Fig.59

To prevent a long board from wobbling, fit the miter gauge with an auxiliary fence board. Fasten with bolts/nuts after drilling holes, but fasteners must not protrude from the face board.

Carrying tool

Fig.60

Make sure that the tool is unplugged. For the tool just used in the miter saw mode, secure the blade at 0° bevel angle and the turn table at 0° miter angle. Lower the handle fully and lock it in the lowered position by fully pushing in the stopper pin.

Carry the tool by holding the tool part shown in the figure.

Fig.61

⚠CAUTION:

- Always secure all moving portions before carrying the tool.
- Before carrying the tool, always set up the tool in the miter saw mode.
- Make sure that the lower blade guard C is installed on the tool.

MAINTENANCE

⚠CAUTION:

- Always be sure that the tool is switched off and unplugged before attempting to perform inspection or maintenance.
- Never use gasoline, benzine, thinner, alcohol or the like. Discoloration, deformation or cracks may result.

⚠WARNING:

- Always be sure that the blade is sharp and clean for the best and safest performance.

Adjusting the cutting angle

This tool is carefully adjusted and aligned at the factory, but rough handling may have affected the alignment. If your tool is not aligned properly, perform the following:

1. Miter angle

Fig.62

Miter angle 0° adjusting bolts are located in four positions.

Loosen four miter angle 0° adjusting bolts by turning counterclockwise from the underside of the table.

Lower the handle fully and lock it in the lowered position by pulling and rotating the stopper pin to the angle of 90° clockwise. Square the side of the blade with the face of the guide fence using a triangular rule, try-square, etc. Then securely tighten the four adjusting bolts on the sub arm from the underside of the table. Make sure that the pointer points to 0° on the miter scale. If not so, adjust the pointer position by loosening the screw securing the pointer. After adjusting it, securely tighten the screw.

Fig.63

2. Bevel angle

Fig.64

(1) 0° bevel angle

Lower the handle fully and lock it in the lowered position by pulling and rotating the stopper pin to the angle of 90° clockwise. Loosen the lever at the rear of the tool.

Turn, from the underside of the table, the 0° bevel angle adjusting bolt on the right side of the sub arm two or three revolutions counterclockwise to tilt the blade to the right. Carefully square the side of the blade with the top surface of the turn table using the triangular rule, try-square, etc. by turning the 0° bevel angle adjusting bolt clockwise.

Fig.65

Make sure that the pointer on the turn table point to 0° on the bevel scale on the arm. If it does not point to 0°, loosen the screw which secures the pointer and adjust the pointer so that it will point to 0°.

Fig.66

(2) 45° bevel angle

Adjust the 45° bevel angle only after performing 0° bevel angle adjustment. To adjust left 45° bevel angle, loosen the lever and tilt the blade to the left fully. Make sure that the pointer on the arm points to 45° on the bevel scale on the arm. If the pointer does not point to 45°, turn, from the underside of the table, the 45° bevel angle adjusting bolt on the left side of the sub arm until the pointer points to 45°.

- Dust bag
- Triangular rule
- Dust cover (Lower blade guard C)
- Push stick
- Ruler assembly (Rip fence)
- Miter gauge
- Fix plates (3 pieces)
- Hex bolts (3 pieces)
- Elbow
- Top cover assy (Top blade guard)

NOTE:

- Some items in the list may be included in the tool package as standard accessories. They may differ from country to country.

Replacing carbon brushes**Fig.67**

Remove and check the carbon brushes regularly. Replace when they wear down to the limit mark. Keep the carbon brushes clean and free to slip in the holders. Both carbon brushes should be replaced at the same time. Use only identical carbon brushes.

Use a screwdriver to remove the brush holder caps. Take out the worn carbon brushes, insert the new ones and secure the brush holder caps.

Fig.68**After use**

- After use, wipe off chips and dust adhering to the tool with a cloth or the like to assure maximum service life. Keep the blade guards clean according to the directions in the previously covered section titled "Blade guard". Lubricate the sliding portions with machine oil to prevent rust.

To maintain product SAFETY and RELIABILITY, repairs, any other maintenance or adjustment should be performed by Makita Authorized Service Centers, always using Makita replacement parts.

OPTIONAL ACCESSORIES**⚠CAUTION:**

- These accessories or attachments are recommended for use with your Makita tool specified in this manual. The use of any other accessories or attachments might present a risk of injury to persons. Only use accessory or attachment for its stated purpose.

If you need any assistance for more details regarding these accessories, ask your local Makita Service Center.

- Steel & Carbide-tipped saw blades
- Vertical vise
- Hex wrench 6

SVENSKA (Originalbruksanvisning)

Förklaring till översiktsskilderna

1-1. Justeringsmutter	22-4. Innerfläns	41-1. Spak
1-2. Fot	22-5. Spindel	42-1. Nedre gränsstopp
2-1. Sexkantsskruv	22-6. Ring	42-2. Inställningsbult
2-2. Fästplatta	23-1. Låsmutter	43-1. Låsskruv
3-1. U-formade spår	23-2. Insexbult	44-1. Låstapp
4-1. Undre klingskydd A	23-3. Spaltkniv	45-1. Såg huvudet låst i det helt nedsänkta läget
4-2. Undre klingskydd B	24-1. Spaltkniv	46-1. Spak
5-1. Undre klingskydd C (används endast vid geringssågning)	24-2. Sågblad	46-2. Yta på spaken där hand/finger kan placeras
6-1. Tryckknapp	25-1. Sågbladsbredd	46-3. Krokdelar
6-2. Spaltkniv	25-2. Spaltkniv	47-1. Tryckknapp
6-3. Övre klingskydd (används i bänksågsläget)	25-3. Insexbult	47-2. Spaltkniv
7-1. Geringsskivans ovansida	26-1. Fästanordning till parallellanslag	47-3. Övre klingskydd (används i bänksågsläget)
7-2. Klingans ytterkant	26-2. Parallellanslag	48-1. Låstapp
7-3. Anslag	26-3. Låsskruv (A)	49-1. Skruvtving (tillbehör)
8-1. Nedre gränsstopp	26-4. Låsskruv (B)	50-1. Skruvtving (tillbehör)
8-2. Inställningsbult	26-5. Parallellanslag	51-1. Tving
8-3. Mutter	27-1. Parallellanslag	51-2. Distanskloss
9-1. Låsskruv	27-2. Fästanordning till parallellanslag	51-3. Anslag
9-2. Anslag	27-3. Linje att passa in: linje A	51-4. Aluminiumstycke
10-1. Handtag	27-4. Sågblad	51-5. Distanskloss
10-2. Geringsskiva	27-5. Övre sågbord	52-1. Passbit
11-1. Spak	27-6. Arbetsstycke	54-1. Matarpinne
12-1. Handtag	28-1. Parallellanslag	55-1. Extra anslag
13-1. Spak	28-2. Fästanordning till parallellanslag	56-1. Matarblock
13-2. Justeringsknapp för sågdjup	28-3. Sågblad	56-2. Extra anslag
14-1. Avtryckare i geringssågningsläge	29-1. Parallellanslag	57-1. Tvärsågning
14-2. Avtryckare i bänksågningsläge	29-2. Fästanordning till parallellanslag	57-2. Geringssågning
14-3. Säkerhetsknapp	29-3. Fyrkantsmutter	57-3. Vinkelsågning
14-4. Avtryckare	29-4. Låsskruv (A)	57-4. Sammansatt geringssågning (vinklar)
14-5. Handtag	29-5. Låsskruv (B)	58-1. Spår
14-6. Spak	30-1. Skala	58-2. Geringanslag
14-7. På-knapp	31-1. Parallellanslag	58-3. Vred
14-8. Av-knapp	31-2. Fästanordning till parallellanslag	60-1. Låstapp
15-1. Justeringsknapp för sågdjup	31-3. Inställningsskruv	61-1. Verktysdel som skall hållas
16-1. Låstapp	32-1. Parallellanslag	63-1. Vinkelhake
17-1. Insexnyckel	32-2. Sågblad	63-2. Sågblad
17-2. Nyckelhållare	32-3. Övre klingskydd	63-3. Anslag
18-1. Insexbult	33-1. Mothåll för geringsanslag	64-1. Justeringskruv 0°
18-2. Insexnyckel	33-2. Geringanslag	64-2. Justeringskruv 45°
18-3. Spindellås	33-3. Spår	65-1. Vinkelhake
19-1. Spak	34-1. Dammunstycke	65-2. Sågblad
19-2. Lyftspak	34-2. Damppåse	65-3. Geringsskivans ovansida
20-1. Sågblad	35-1. Damppåse	66-1. Arm
20-2. Undre klingskydd B	35-2. Fästanordning	66-2. Vinkelskala
21-1. Klingkåpa	37-1. Dammunstycke	66-3. Pil
21-2. Pil	37-2. Vinkelrör	66-4. Geringsskiva
21-3. Sågblad	39-1. Tvingens ratt	67-1. Slitmarkering
21-4. Pil	39-2. Stång till tving	68-1. Kolhållarlock
22-1. Insexbult	39-3. Låsskruv	68-2. Skruvmejsel
22-2. Yttre fläns	39-4. Tvingarm	
22-3. Sågblad	39-5. Anslag	
	40-1. Låsskruv	
	40-2. Anslag	

SPECIFIKATIONER

Modell	LF1000
Bladdiameter	260 mm
Klingans tjocklek	1,8 mm - 2,0 mm
Spaltknivens tjocklek	2,2 mm
Håldiameter	
För länder i Europa	30 mm
Max. sågkapacitet (H x B) med 260 mm bladdiameter i geringssågningsläge	

Vinkel för vinkelsågning	Geringsvinkel	
	0°	
0°	20 mm x 180 mm	
	68 mm x 155 mm	
45° (vänster)	50 mm x 150 mm	

Max. sågkapacitet vid 90° i bordssågning (bänksågning)	70 mm
Obelastat varvtal (min ⁻¹)	2 700
Bordstorlek (B x L)	500 mm x 555 mm
Mått (L x B x H1 (punkt 1) / H2 (punkt 2)) i geringssågningsläge vid bänksågning	660 mm x 650 mm x 1 220 mm / 800 mm 660 mm x 650 mm x 1 060 mm / 845 mm
Vikt	36 kg
Säkerhetsklass	II

Punkt 1 H1: Höjd upp till verktygshuvudet

Punkt 2 H2: Höjd upp till bordet

- På grund av vårt pågående program för forskning och utveckling kan dessa specifikationer ändras utan föregående meddelande.
- Specifikationerna kan variera mellan olika länder.
- Vikt i enlighet med EPTA-procedur 01/2003

END213-8

Symboler

Följande visar symbolerna som används för utrustningen. Se till att du förstår innebörden innan du använder bormaskinen.



- Läs bruksanvisningen.



- DUBBEL ISOLERING



- Undvik skador från flygande materialrester, fortsätt efter sågning att hålla ned såghuvudet tills bladet har stannat helt.



- Håll inte handen eller fingrarna i närheten av sågbladet.



- Avlägsna av säkerhetsskäl spån, småbitar etc. från bordets översida innan arbetet påbörjas.



- Ta ut verktygets nätkontakt innan det vänds runt sin axel.



- Placera händerna ordentligt när du bär.



- Lyft inte upp parallellanslagets övre ända när du installerar eller tar bort det.



- Lossa bulten genom att skruva den medurs.



- Gäller endast EU-länder
Elektrisk utrustning får inte kastas i hushållssoporna!
Enligt EU-direktivet som avser äldre elektrisk och elektronisk utrustning och dess tillämpning enligt nationell lagstiftning ska uttjänt elektriskt utrustning sorteras separat och lämnas till miljövänlig återvinning.

ENE061-1

Användningsområde

Verktyget är avsett för exakt rät- och geringssågning i trä. Verktyget kan användas både som geringssåg och bordssåg genom att vrida bordet runt dess egen axel.

ENF002-2

Strömförsörjning

Maskinen får endast anslutas till elnät med samma spänning som anges på typplåten och med enfasig växelström. De är dubbelisolerade och får därför också anslutas i ojordade vägguttag.

Buller

Typiska A-vägda bullernivån är mätt enligt EN61029:

Ljudtrycksnivå (L_{pA}): 91 dB (A)
Ljudeffektnivå (L_{WA}): 108 dB (A)
Måttolerans (K): 3 dB (A)

Använd hörselskydd

ENG900-1

Vibration

Vibrationens totalvärde (tre-axlars vektorsumma) mätt enligt EN61029:

Vibrationsemission (a_{h1}): 2,5 m/s² eller lägre
Måttolerans (K): 1,5 m/s²

ENG901-1

- Det deklarerade vibrationsemissionsvärdet har uppmätts i enlighet med standardtestmetoden och kan användas för jämförandet av en maskin med en annan.
- Det deklarerade vibrationsemissionsvärdet kan också användas i preliminär bedömning av exponering för vibration.

⚠ VARNING!

- Vibrationsemissionen under faktisk användning av maskinen kan skilja sig från det deklarerade emissionsvärdet, beroende på hur maskinen används.
- Se till att hitta säkerhetsåtgärder som kan skydda användaren och som grundar sig på en uppskattning av exponering i verkligheten (ta med i beräkningen alla delar av användandet såsom antal gånger maskinen är avstängd och när den körs på tomgång samt då startomkopplaren används).

ENH003-15

Gäller endast Europa**EU-konformitetsdeklaration**

Makita försäkrar att följande maskiner:

Maskinbeteckning:

Klyv-, kap- och geringssåg

Modellnr./-typ: LF1000

Följer följande EU-direktiv:

2006/42/EC

De är tillverkade i enlighet med följande standard eller standardiseringsdokument:

EN61029

Den tekniska dokumentationen i enlighet med 2006/42/EG finns tillgänglig från:

Makita, Jan-Baptist Vinkstraat 2, 3070, Belgium



000331

Yasushi Fukaya
Direktör

Makita, Jan-Baptist Vinkstraat 2, 3070, Belgium

GEA010-1

Allmänna säkerhetsvarningar för maskin

⚠ VARNING Läs igenom alla säkerhetsvarningar och instruktioner. Underlåtenhet att följa varningar och instruktioner kan leda till elektrisk stöt, brand och/eller allvarliga personskador.

Spara alla varningar och instruktioner för framtida referens.

ENB094-6

SÄKERHETSVARNINGAR FÖR KLYV-, KAP- OCH GERINGSSÅG FÖR LÄGENA GERINGSSÅG OCH BORDSSÅG (BÄNKSÅG):

1. Kontrollera bladet noga med avseende på sprickor eller deformation före användning. Byt omedelbart ut ett skadat blad.
2. Använd inte sågen utan att skydd och spaltkniven är på plats, särskilt efter att läget har ändrats. Kontrollera att klingskydden stängs ordentligt före varje användning. Använd inte sågen om klingskydden inte rör sig fritt och omedelbart stängs. Spänn och fäst aldrig skydden i öppet läge. All ojämn funktion av klingskydden ska omedelbart korrigeras.
3. Använd endast de sågblad som angivits av tillverkaren och som överensstämmer med EN847-1. Snittets spårbredd måste vara bredare än klyvkniven och bladet måste vara tunnare än klyvkniven.
4. Använd inte sågblad som tillverkats av snabbstål.
5. Använd ögonskydd.
6. Använd hörselskydd för att minska risken för hörselnedsättning.
7. Använd handskar när du hanterar sågblad (sågblad ska bäras i en hållare när så är möjligt) och grova material.
8. Anslut verkytet till en anordning för dammuppsamling innan sågning.
9. Lägg alltid undan matarpinnen på en säker plats när den inte används.
10. Håll golvytan omkring verkytet rent från löst material som t ex spån och avsågade bitar.

11. Att operatören är tillräckligt utbildad i användning, justering och drift av verktyget.
 12. Stoppa och koppla bort sågen när den är obehagad.
 13. För att minska bullret, se alltid till att sågbladet är vasst och rengjort.
 14. Använd endast sågblad som är märkta med ett maximalt varvtal som är lika med eller högre än varvtalet för ingen belastning som är märkt på maskinen.
 15. Ta aldrig bort avsågade delar eller andra delar av arbetsstycket från arbetsområdet medan maskinen körs med ett oskyddat sågblad.
 16. Maskinen ska inte användas för slitsning, falsning eller notning.
 17. Rengör och var försiktig så att spindeln, flänsarna (särskilt monteringsytan) eller fästbulten inte skadas innan eller när klingan installeras. Skador på någon av dessa delar kan medföra att klingan förstörs. En dålig montering kan orsaka vibrationer/skakningar eller att klingan slirar. Använd endast flänsar som är avsedda för den här maskinen.
 18. Använd alltid tillbehör som rekommenderas i denna bruksanvisning. Opassande tillbehör som till exempel en slipande kapskiva kan orsaka skada om de används.
 19. Välj ett sågblad som passar det material som skall sågas.
 20. Säg inte i metallföremål som till exempel spikar och skruvar. Sök igenom arbetsstycket efter spikar, skruvar eller främmande material och avlägsna dessa innan körningen påbörjas.
 21. Ta bort lösa utväxter från arbetsstycket INNAN du börjar såga.
 22. Använd inte verktyget i närheten av lättantändliga vätskor eller gaser.
 23. Avlägsna av säkerhetsskäl spån, småbitar etc. från arbetsområdet och bordets översida innan verktyget ansluts och arbetet påbörjas.
 24. Håll händerna och eventuella assistenter och andra borta från bladets såglinje. Undvik kontakt med sågklingan. Den kan fortfarande orsaka allvarliga skador och sträck dig aldrig runt den.
 25. Var alltid uppmärksam, särskilt under upprepade, monotona arbeten. Låt dig inte vaggas in i säkerhet. Sågblad är mycket farliga.
 26. Se till att spindellåset är öppet innan strömbrytaren slås på.
 27. Låt verktyget vara igång en stund innan det används på arbetsstycket. Kontrollera att sågbladet inte vibrerar eller skakar vilket kan innebära att den är felaktigt monterad eller dåligt balanserad.
 28. Vänta tills bladet når full hastighet innan du skär.
 29. Ta inte bort avsågade bitar eller andra delar av arbetsstycket från sågningsområdet när maskinen körs och såghuvudet inte är i sitt viloläge.
 30. Stanna maskinen omedelbart om du lägger märke till något onormalt.
 31. Stäng av verktyget och vänta tills sågbladet stannat innan du flyttar arbetsstycket eller ändrar inställningar.
 32. Ta ut nätsladden före byte av sågblad, service eller om verktyget inte används.
 33. Visst damm som skapas vid användning innehåller kemikalier som kan orsaka cancer, födelsedefekter eller annan skada vid fortplantning. Några exempel på dessa kemikalier är:
 - bly från material målat med blybaserad färg och
 - arsenik och krom från kemiskt behandlat virke.
- Risken för exponering varierar beroende på hur ofta du utför denna typ av arbete. För att minska risken för exponering av dessa kemikalier: arbeta i ett välventilerat område och arbeta med godkänd säkerhetsutrustning som till exempel dammask vilken skapats speciellt för filtrering av mikroskopiska partiklar.
34. Se till att bordet är ordentligt fast med spaken efter att det vänts.

ANVÄNDA GERINGSSÄGEN:

35. Använd inte sågen till annat än för sågning av trä, aluminium eller liknande material.
36. Utför aldrig sågning på frihand. Arbetsstycket måste var säkert fäst mot geringsskivan och anhållet med tvingen, under alla arbetsmoment. Håll aldrig fast arbetsstycket med handen.
37. Kontrollera att maskinen är stabil före varje sågning.
38. Stöd långa arbetsstycken med lämpliga ytterligare stöd.
39. Säg aldrig så små arbetsstycken att de inte kan fästas ordentligt med tvingen. Ett felaktigt fastsatt arbetsstycke kan orsaka bakåtkast och allvarliga personskador.
40. Se till att vändbordet är ordentligt fast, så att det inte rör sig under arbetet.
41. Se till att armen sitter säkert vid vinkelsågning. Dra åt spaken medsols för att fästa armen.
42. Kontrollera innan strömbrytaren slås på att bladet i sin lägsta position inte vidrör vändbordet och inte är i kontakt med arbetsstycket.
43. Håll handtaget stadigt. Var uppmärksam på att sågen rör sig något upp och ned under start och stopp.

ANVÄNDA BORDSSÄGEN:

44. Utför aldrig sågning på frihand. Frihand innebär att använda händerna för att stödja eller leda arbetsstycket istället för ett parallellanslag.
45. Se till att vämbordet är ordentligt fastsatt.
46. Se till att armen sitter säkert i arbetsläget. Dra åt spaken medsols för att fästa armen.
47. Använd en matarpinne eller matarblock för att undvika arbete med händer och fingrar nära sågbladet.
48. Se till att sågbladet inte kommer i kontakt med spaltkniven eller arbetsstycket innan strömbrytaren slagits på.
49. Var särskilt uppmärksam på anvisningarna för hur man minskar risken för BAKÅTKAST. BAKÅTKAST är en plötslig reaktion på ett klämt, bundet eller felriktat sågblad. BAKÅTKAST kallas det när arbetsstycket plötsligt kastas tillbaka från maskinen mot operatören. BAKÅTKAST KAN LEDA TILL ALLVARLIG PERSONSKADA. Undvik BAKÅTKAST genom att hålla bladet slipat, genom att hålla parallellanslaget parallellt mot bladet, genom att hålla spaltkniven och klingskyddet på dess rätta plats och i fungerande skick, genom att inte släppa arbetsstycket förrän du fört det hela vägen förbi sågbladet och genom att inte kapa ett arbetsstycke som är vridet eller skevt eller som inte har en rak kant som leder arbetsstycket längs anslaget.
50. Undvik snabb eller häftig frammatning av arbetsstycket. Mata fram arbetsstycket så långsamt som möjligt vid sågning av hårda arbetsstycken. Böj eller vrid inte arbetsstycket när det matas. Stäng genast av maskinen om sågbladet kläms eller kör fast i arbetsstycket. Dra ur maskinens kontakt ur vägguttaget. Lossa sedan sågbladet från arbetsstycket.
51. Se till att stoppinnen har låst verktygshuvudet ordentligt i dess lägsta position, innan du vänder över verktyget.

SPARA DESSA ANVISNINGAR.

⚠VARNING!

GLÖM INTE att noggrant följa säkerhetsanvisningarna för maskinen även efter det att du har blivit van att använda den. OVARSAM hantering eller underlåtenhet att följa säkerhetsanvisningarna i denna bruksanvisning kan leda till allvarliga personskador.

INSTALLATION

⚠FÖRSIKTIGT!

Håll golvet vid maskinen i gott skick och fritt från löst material som sågspån och sågavfall.

Bänkmontage

Inställning av högt bord med helt utdragna ben

Om inte maskinen står stabilt vrider du inställningsmuttern på maskinens fot för att stabilisera. Vrid moturs, sett ovanifrån, för att göra foten kortare och medurs, sett ovanifrån, för att göra den längre. Se till att maskinen står stabilt efter inställningen.

Fig.1

Montera fotplattorna, med dess vinklade ände pekande utåt, på tre av maskinens ben med insexbultar. Fäst sedan maskinen på den stabila och plana ytan med de tre bultarna i bulthålen som finns i fotplattorna.

Fig.2

Inställning av lågt bord med hopfällda ben

Fig.3

När sågbordet är klart i läget med hopfällda ben fästs det genom att använda U-formade spår, såsom visas i figuren.

FUNKTIONSBESKRIVNING

⚠FÖRSIKTIGT!

- Se alltid till att maskinen är avstängd och nätsladden urdragen innan du justerar eller funktionskontrollerar maskinen.

Klingskydd

Fig.4

Fig.5

Fig.6

⚠FÖRSIKTIGT!

- Se till att handtaget inte kan tryckas ner utan att trycka ner spaken intill handtaget till vänster.
- Se till att det nedre klingskyddet A inte kan öppnas utan att spaken vid handtaget är i sitt översta läge.
- Se till att det nedre klingskyddet C är monterat före användning av geringssågningsläget.

När du sänker handtaget genom att trycka på den vänstra spaken, lyfts det nedre klingskyddet A automatiskt. Det nedre klingskyddet B lyfts när ett arbetsstycke förs in mot klingan. Klingskyddet är försett med en fjäder så att det går tillbaka till ursprungsläget när sågningen är avslutad och handtaget lyfts. Det övre klingskyddet lägger sig platt på det övre sågbordet när arbetsstycket har passerat under det. BLOCKERA ALDRIG ELLER AVLÄGSNA ALDRIG KLINGSKYDDEN, FJÄDERUPPHÄNGNINGEN SOM FÄSTER DET NEDRE KLINGSKYDDET, ELLER DET ÖVRE KLINGSKYDDET med undantag av noteringen nedan. För din personliga säkerhet bör klingskydden alltid hållas i gott skick. Om klingskydden inte fungerar som de ska måste detta åtgärdas direkt. Kontrollera även att fjädern gör att de nedre klingskydden går tillbaka. ANVÄND ALDRIG MASKINEN OM DET NEDRE KLINGSKYDDET, FJÄDERN ELLER DET ÖVRE KLINGSKYDDET ÄR SKADAT, INTE FUNGERAR KORREKT ELLER ÄR BORTTAGNA med undantag för noteringen nedan. SÅDAN ANVÄNDNING ÄR MYCKET FARLIG OCH KAN ORSAKA ALLVARLIGA PERSONSKADOR.

OBS!

- Följande undantag finns för borttagning av klingskydden. Det nedre klingskyddet C får endast avlägsnas när maskinen används i bänksågningsläget. Det övre klingskyddet får endast avlägsnas när maskinen används i geringssågningsläget.

Om något av de genomskinliga klingskydden blir smutsiga eller om sågsån fastnar på dem så att inte klingan syns bra, måste maskinen kopplas ur och skydden rengöras noga med en fuktig trasa. Använd inte lösningsmedel eller petroleumbaserade rengöringsmedel då det skadar plasten i skyddet.

Om det nedre klingskyddet A är mycket smutsigt så att du inte kan se igenom det, skall du göra enligt följande. Lyft handtaget helt. Ta bort sågklingan (Se avsnittet "Montering eller demontering av sågklinga"). Lyft det nedre klingskyddet A medan du skjuter spaken till vänster. Med det nedre klingskyddet A i detta läge är en mer noggrann och effektiv rengöring möjlig. När rengöringen är klar gör du på motsatt sätt och drar åt bulten.

Samma sak för övre klingskyddet som beskrivits ovan, trycker du knappen på dess framsida till ovasidan och tar bort det övre klingskyddet. När du har rengjort klingskyddet måste du återmontera detta noggrant.

Om något av klingskydden blir missfärgat med tiden eller p.g.a. UV-ljus, kontaktar du ett av Makitas servicecenter för att få ett nytt klingskydd. KLINGSKYDDEN FÅR ALDRIG BLOCKERAS ELLER TAS BORT.

Upprätthållande av maximal sågkapacitet

Fig.7

Denna maskin är fabriksinställd för att ge en maximal sågkapacitet med en 260 mm sågklinga.

När en ny klinga monteras måste klingans lägsta position alltid kontrolleras och om det är nödvändigt, justera den enligt följande:

⚠FÖRSIKTIGT!

- Koppla först bort maskinen från elnätet innan du utför denna inställning.

Koppla först bort maskinen från elnätet. Sänk handtaget så långt det går. Vrid på inställningsbulten med hylsnyckeln tills klingans ytterkant sticker ut en aning under geringsskivan, vid den punkt där anhållets framsida kommer i kontakt med geringsskivans ovasida.

Kontrollera att maskinens nätsladd är utdragen och snurra på klingan för hand, medan handtaget hålls ner fullständigt, och kontrollera att klingan inte kommer i kontakt med någon del av undre basplattan. Finjustera inställningen vid behov.

⚠FÖRSIKTIGT!

- Efter monteringen av en ny klinga måste du alltid kontrollera att klingan inte går emot någon del av den undre basplattan när handtaget sänks helt. Utför denna kontroll endast när maskinen är urkopplad.

Denna maskin kan användas med eller utan det nedre gränsläget genom att skifta det nedre gränstoppet, såsom visas i figuren. Vrid änden på stoppet moturs för att använda maskinen utan det nedre gränsläget. Detta läge är korrekt för att säga ett brett och tunt arbetsstycke. Flytta stoppets ände medurs för att använda maskinen med det nedre gränsläget. Detta läge är korrekt för att säga ett tjockt arbetsstycke.

Fig.8

Justering av geringsvinkeln

Fig.9

Fig.10

Lossa anhållets låsskruvar genom att vrida dem moturs. Vrid geringsskivan med handtaget. Dra åt låsskruven ordentligt genom att vrida den medurs, när handtaget flyttats till det läge där pekaren indikerar önskad vinkel på geringsskalan.

⚠FÖRSIKTIGT!

- Lyft handtaget maximalt när geringsskivan vrids.
- Fäst alltid geringsskivan genom att dra åt låsskruven ordentligt efter inställningen av geringsvinkeln.

Justering av vinkeln vid vinkelsågning

I geringssågningsläge

Fig.11

Fig.12

För att ändra vinkeln för vinkelsågning, lossar du spaken på maskinens baksida genom att dra den moturs. Tryck handtaget till vänster för att luta sågklingan tills pekaren indikerar önskad vinkel på vinkelskalan. Dra sedan åt spaken ordentligt medurs för att fästa armen.

⚠FÖRSIKTIGT!

- Lyft handtaget maximalt när sågklingan lutas.
- Fäst alltid armen genom att dra åt spaken medurs efter ändringen av vinkeln för vinkelsågning.

I bänksågningsläge

Fig.13

För att ändra vinkel för vinkelsågning lossar du spaken under bordet på maskinens framsida genom att dra den moturs.

Vrid inställningsratten för djup till vänster för att luta sågklingan tills pekaren indikerar önskad vinkel på vinkelskalan. Dra sedan åt spaken medurs ordentligt för att fästa armen.

Avtryckarens funktion

Fig.14

Ändra till geringssågningsläget

⚠FÖRSIKTIGT!

- Innan du ansluter maskinen till elnätet ska du kontrollera att avtryckaren fungerar och återgår till läget "OFF" när du släpper den.
- När maskinen inte används skall säkerhetsknappen tas bort och förvaras på ett säkert ställe. På så vis kan ingen obehörig använda sågen.
- Tryck inte in avtryckaren hårt utan att först ha tryckt in säkerhetsknappen, annars kan avtryckaren gå sönder.

En säkerhetsknapp förhindrar oavsiktlig aktivering av avtryckaren. Starta maskinen genom att föra låsspaken till vänster, trycka in säkerhetsknappen och sedan avtryckaren. Släpp avtryckaren för att stoppa maskinen.

Ändra till bänksågningsläge

⚠FÖRSIKTIGT!

- Se till att maskinen slås på och av innan den används.

Tryck på knappen ON (I) för att starta maskinen. Tryck på knappen OFF (O) för att stänga av maskinen.

Inställning av sågdjup

Fig.15

Sågdjupet kan justeras genom att vrida inställningsratten för djup. Vrid inställningsratten för djup medurs för att höja klingan eller moturs för att sänka den.

⚠VARNING!

- Använd en yttlig djupinställning vid sågning i tunna material för att erhalla en renare sågning.

⚠FÖRSIKTIGT!

- Låstappen kan inte vridas när verktygshuvudet är i helt nedsänkt läge. I detta läge vrider du knoppen lätt moturs och låstappen blir fri.

Fig.16

Överbelastningsskydd

- Endast för maskiner avsedda för 200 V eller högre spänning. Se maskinens märkskylt för rätt märkspänning.
- När belastningen på maskinen överstiger den tillåtna nivån, minskar strömmen till motorn för att skydda motorn från att överhettas. När belastningen återgår till den tillåtna nivån, arbetar maskinen normalt igen.

MONTERING

⚠FÖRSIKTIGT!

- Se alltid till att maskinen är avstängd och nätsladden urdragen innan maskinen repareras.

Förvaring av insexnyckel

Fig.17

Insexnyckeln förvaras på det sätt som framgår av bilden. Dra ut insexnyckeln ur dess hållare när den ska användas och sätt tillbaka den i hållaren igen efter användning.

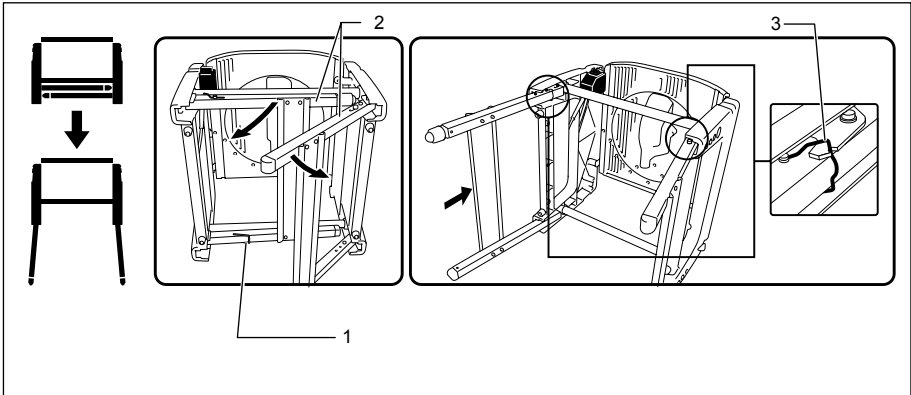
Ställ in bordshöjden på två sätt

Bordets höjd kan ställas in i två lägen, högt eller lågt bord.

⚠VARNING!

- Innan du faller maskinen bakåt skall du alltid ställa maskinen i geringssågningsläget och låsa fast verktygshuvudet i det nedersta läget.

1. Inställning av högt bord



1. Krok
2. Fötter
3. Stopphake

006043

Gör på följande sätt för att ställa in maskinen med bordet i högt läge.

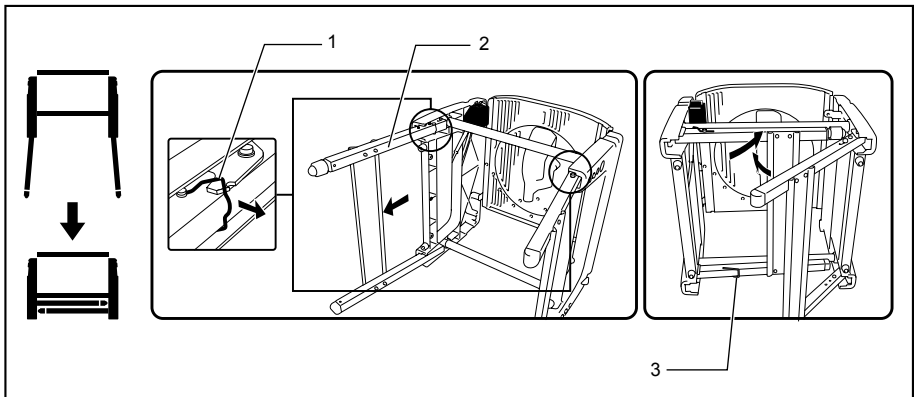
- (1) Fäll försiktigt ner sågbordet BAKÅT med båda händerna utan att tappa det.
- (2) Vrid haken i pilens riktning, såsom visas i figuren, för att fälla ut benen. Fäll ut benen helt på den ena sida så att det låses fast ordentligt av sig själv. Utför samma procedur

för benen på motsatta sidan. Försäkra dig om att benen är helt låsta.

⚠WARNING!

- Kontrollera att stopphakarna är perfekt placerade i fästets spår.
- (3) För tillbaka sågbordet i upprätt läge.

2. Inställning av lågt bord



1. Stopphake
2. Fötter
3. Krok

006044

Benen kan fällas ihop som visas i figuren. Gör på följande sätt för att fälla ihop sågbordet.

- (1) Fäll försiktigt ner sågbordet BAKÅT med båda händerna utan att tappa det.
- (2) Dra först ut stoppet i leden på de vänstra benen mot dig, för att låsa upp det.

- (3) Gör på samma sätt för benen på motsatta sidan.
- (4) Använd en hake för att hålla ihop benen.
- (5) För tillbaka sågbordet i upprätt läge.

Montering eller borttagning av sågblad

⚠FÖRSIKTIGT!

- Kontrollera alltid att maskinen är avstängd och att nätkabeln är utdragen innan sågbladet monteras eller tas bort.
- Använd endast medföljande insexnyckel från Makita för att montera eller demontera klingan. I annat fall kan det leda till att insexbulten dras åt för hårt eller för löst, vilket kan orsaka skada.

För upp handtaget i dess helt upphöjda läge.

Tryck på spindellåset för att låsa spindeln och använd insexnyckeln för att lossa insexbulten genom att vrida den medurs.

Fig.18

Höj klingskyddet A med dess lyftflik medan du för spaken intill handtaget till vänster. Ta bort insexbulten, yttre flänsen och klingan med klingskyddet A höjt.

Fig.19

För att montera klingan, placerar du den försiktigt på spindeln och ser till att rikningen på den pil som finns på klingans sida stämmer överens med pilens riktning på klinghöljet. Montera den yttre flänsen och insexbulten, och använd sedan insexnyckeln för att dra åt insexbulten (vänstergängad, dra åt moturs) ordentligt medan du håller in spindellåset.

Fig.20

Fig.21

OBS!

- När du monterar en sågklinga måste du försäkra dig om att den förs ner bredvid klingskydd B först, och sedan upp i läge inne i klingskydd B.

Fig.22

⚠FÖRSIKTIGT!

- Ringen med en ytterdiameter på 25,4 mm eller 30 mm är fabriksmonterad på spindeln. Innan bladet monteras på spindeln, skall du alltid se till att korrekt insatsring för axelhålet på det blad du skall använda monteras på spindeln.

För tillbaka det nedre klingskyddet A till dess ursprungliga läge. Sänk ner handtaget för att försäkra dig om att de nedre klingskydden fungerar som det ska. Kontrollera att spindellåset inte längre låser fast spindeln, innan du försöker såga.

Inställning av klyvkniv

Fig.23

Avståndet mellan sågklingans tänder och klyvkniven måste vara 5 - 6 mm när klyvkniven förs helt mot klingan. Justera klyvkniven genom att först lossa på låsmuttern för hand (moturs), och sedan lossa på insexbulten (moturs) med insexnyckeln och mät därefter avståndet. Dra sedan åt insexbulten och låsmuttern medurs efter inställningen. Kontrollera alltid att klyvkniven är fäst och att det övre klingskyddet fungerar smidigt före sågningen.

Fig.24

Klyvkniven är fabriksmonterad så att klingan och klyvkniven sitter i rät linje efter din enkla installation. Se avsnittet "Ändring av klyvknivens läge" för monteringen.

Fig.25

⚠FÖRSIKTIGT!

- Om klingan och klyvkniven inte är korrekt inriktade, kan arbetsstycket klämmas fast under drift. Försäkra dig om att klyvkniven är placerad mellan båda yttre ändarna av sågtänderna, sett uppifrån. Du kan skada dig allvarligt om du använder maskinen när klyvkniven inte är korrekt inriktad. Om de av någon anledning inte är rätt inställda skall de alltid repareras på ett auktoriserat Makita servicecenter.
- När klyvknivens avstånd från sågtänderna justeras ska insexbulten endast lossas efter det att du lossat låsskruven.

Montering och justering av parallellanslag

Fig.26

1. Installera parallellanslaget på sågbordet så att dess fästankning passar in i löpskenan. Dra åt parallellanslagets låsskruv (B) hårt medurs.
2. Lossa på låsskruven (A).
3. Skjut parallellanslaget och sätt fast det så att dess borte kant från dig sett, sitter i linje med den punkt där sågklingans framkant kommer upp ur arbetsstyckets ovansida. Justeringen görs för att minska risken för att ett avsågat stycke kläms fast mellan sågklingan och parallellanslaget och sedan kastas bakåt mot användaren. Linjen (A) varierar med arbetsstyckets tjocklek eller bordsnivån. Anpassa parallellanslagets läge efter arbetsstyckets tjocklek. Efter justering av parallellanslaget drar du åt låsskruven (A) hårt.

Fig.27

OBS!

- Det finns fyra mönster för placering av parallellanslaget enligt figuren. Parallellanslaget har två skåror på sina sidor, en med en upphöjd kant bredvid på samma sida och den andra utan det. Använd endast denna upphöjda kant på parallellanslagets yta mot arbetsstycket vid sågning av ett tunt arbetsstycke.

Fig.28

OBS!

- För att ändra parallellanslagets mönster tar du bort parallellanslaget från dess hållare genom att lossa låsskruven (A) och ändra dess läge i hållaren så att parallellanslaget är vänt mot hållare i förhållande till ditt arbete, såsom visas i figuren. Sätt in hållarens fyrkantsmutter i bakre änden av endera skåran i parallellanslaget, så att de passar som i figuren.

För att ändra från mönster A eller B till mönster C eller D, eller omvänt, tar du bort fyrkantsmuttern och låsskruven (A) från parallellanslagets hållare och sätter låsskruven (A) och fyrkantsmuttern i motsatt läge på hållaren i jämförelse med dess originalposition.

Sätt in hållarens fyrkantsmutter i bakre änden av endera skåran i parallellanslaget så att de passar som i figuren.

Fig.29

Parallellanslaget är fabriksinställt så att det är parallellt med sågklingans yta. Försäkra dig om att det är parallellt. Gör så här för att kontrollera att parallellanslaget är parallellt med klingan. Justera klingans höjd med justeringsratten för sågdjupet så att klingan kommer upp i det högsta läget från sågbordet. Märk en sågtand med en krita. Mät avståndet (A) och (B) mellan parallellanslaget och sågbladet. Utför båda mätningarna med hjälp av den kritmärkta sågtanden. De två mätningarna skall ge samma resultat. Om parallellanslaget inte är parallellt med klingan gör du på följande sätt:

Fig.30

- (1) Vrid inställningsskruven moturs.

Fig.31

Fig.32

- (2) Dra parallellanslagets främre kant något till höger eller vänster tills det blir parallellt med klingan.
- (3) Dra åt inställningsskruven hårt på parallellanslaget.

⚠FÖRSIKTIGT!

- Se till att justera parallellanslaget så att det är parallellt med sågbladet, annars kan bakåtkast ske vid drift.
- Se till att justera parallellanslaget så att det inte kommer i kontakt med det övre klingskyddet eller sågklingan.
- Flytta inte eller bär maskinen i parallellanslaget.
- Att lyfta det monterade parallellanslaget eller tvinga det åt höger och vänster när du tar tag i dess övre del med din hand kan skada det och försämra dess funktion.

Montering och justering av geringsanslag

Fig.33

Montera geringsanslaget genom att föra in dess skaft i ett av de två spåren på sågbordets framsida. Geringsanslagets stopp som också används som parallellanslag kan monteras på geringsanslaget i förhållande till ditt arbete.

Damppåse

Fig.34

Användning av damppåse ger ett rent sågarbete och förenklar uppsamlingen av damm. Anslut damppåsen på munstycket för spånutkast.

Ta bort damppåsen från maskinen när den är cirka halvfyll och dra ut plastläset. Töm damppåsen på dess innehåll och slå lätt på den för att avlägsna partiklar som fastnat på insidan, vilket annars kan hindra fortsatt uppsamling.

Fig.35

Du kan arbeta mer effektivt och få rent under arbetet om du ansluter en dammsugare från Makita till sågen.

Fig.36

Vinkelrör

Fig.37

⚠FÖRSIKTIGT!

- Rikta vinkelrörets utlopp så att uppsamlat damm och spån inte flyger ut mot maskinen eller personer i arbetsområdet.

Sätt på vinkelröret när du ändrar riktningen för spånutkastet.

Fastsättning av arbetsstycke

⚠VARNING!

- Det är ytterst viktigt att alltid fästa arbetsstycket ordentligt och hårt med tvingen. I annat fall kan det leda till att maskinen skadas och/eller att arbetsstycket förstörs. DET KAN OCKSÅ RESULTERA I PERSONSKADA. Lyft ALDRIG klingan förrän den har stannat helt efter sågningen.

Stödanhåll

Fig.38

Stödanhållet kan monteras på anhållet. När vinkelsågning åt vänster eller bänksågning utförs ska stödanhållet tas bort.

⚠FÖRSIKTIGT!

- När vinkelsågning åt vänster eller bänksågning utförs ska stödanhållet tas bort. I annat fall kommer det i kontakt med klingan eller en del av verktyget vilket allvarligt kan skada användaren.

Vertikal tving

Fig.39

Den vertikala tvingen kan installeras i två lägen, antingen på vänster eller höger sida om anhållet. Sätt i tvingens fäststav i hålet på anhållet och dra åt låsskruven för att fästa tvingens fäststav. Sätt tvingarmen i läge så att den passar till arbetsstyckets tjocklek och form och fäst den sedan genom att dra åt låsskruven. Om skruven som fäster tvingarmen kommer i kontakt med anhållet måste låsskruven flyttas till tvingarmens andra sida. Se till att

ingen del av maskinen kommer i kontakt med tvingen när maskinhandtaget sänks till sin lägsta position. Om någon del kommer i kontakt med tvingen monterar du om den.

Tryck arbetsstycket plant mot anhållet och geringsskivan. Placera arbetsstycket i önskat sågläge och fäst det stadigt genom att dra åt tvingens ratt.

⚠ FÖRSIKTIGT!

- Arbetsstycket måste fästas säkert mot geringsskivan och anhållet.

Inställning av maskinen i bänksågningsläge

⚠ FÖRSIKTIGT!

- Kontrollera innan du använder maskinen i bänksågningsläget att geringsskivan har fästs vid 0° geringsvinkel med låsskruven på anhållet.
- Kontrollera att verktygshuvudet har fästs med reglaget innan bänksågningsläget används.
- Kontrollera att klyvkniven har fästs på plats ordentligt innan bänksågningsläget används.
- Ta bort det nedre klingskyddet C innan bänksågningsläget används.
- Frigör det nedre gränsstoppet i bänksågningsläge.

Denna maskin är fabriksinställd i geringssågningsläget. Innan du använder bänksågningsläget skall du ändra inställningen och följa proceduren nedan.

1. Fastsättning av geringsskivan

Fig.40

Dra åt låsskruven ordentligt på anhållet vid 0° geringsvinkel för att fästa geringsskivan.

2. Fastsättning av verktygshuvudet

Fig.41

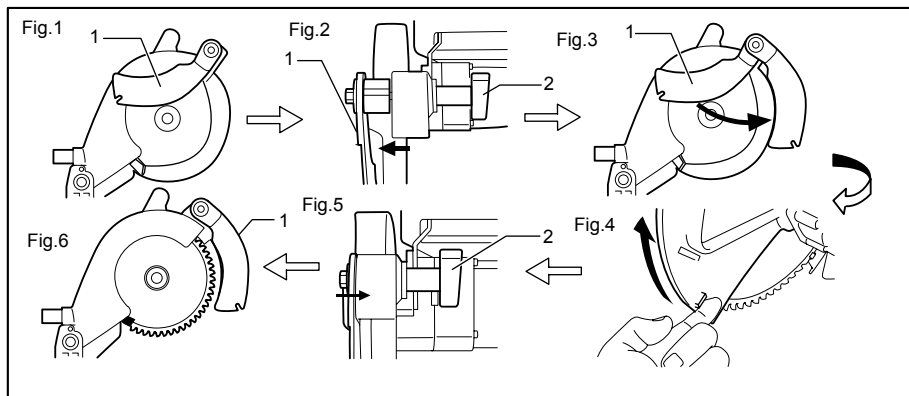
Fäst verktygshuvudet genom att dra åt spaken i pilens riktning, såsom visas i figuren.

3. Frigöring av det nedre gränsstoppet

Fig.42

Försäkra dig om att änden på det nedre gränsstoppet är i läget A i figuren. Vrid änden på det nedre gränsstoppet moturs till läget A när den är placerad i läget B.

4. Lagesändring av klyvkniv



- Spaltkniv
- Låsmutter

006068

Läget (Fig. 1) skall ändras enligt följande.

- Lossa på låsmuttern (Fig. 2).
- Dra och sväng klyvkniven till vinkeläget 90° i pilens riktning (Fig. 3). Tryck in den lätt så att den stannar i detta läge.
- Lyft upp det nedre klingskyddet A i helt upphöjt läge genom att ta tag med handen i dess utskjutande kant samtidigt som du trycker reglaget i närheten av handtaget till vänster, och frigör reglaget i närheten av handtaget (Fig. 4).
- Tryck klyvkniven i pilens riktning (se Fig. 5) så att den är i linje med sågklingan.

- Efter att klyvkniven har tryckts in i pilens riktning, såsom visas i figuren, släpper du det nedre klingskyddet A.
- Dra åt låsmuttern ordentligt (se Fig. 6) efter att du riktat in klyvkniven.

5. Borttagning av det nedre klingskyddet C

Fig.43

Ta bort det nedre klingskyddet C från sågbordet genom att lossa låsskruven.

6. Lås fast verktygshuvudet i dess mest nedsänkta läge.

Fig.44

Fig.45

Efter att klyvkniven har monterats i geringssågningsläget, skall du dra ut låstappen i pilens riktning A och vrida den till 90° vinkel i pilens riktning B med låstappen utdragen. Sänk sedan handtaget för att låsa verktygshuvudet.

⚠FÖRSIKTIGT!

- Om inte verktygshuvudet kan låsas i helt nedsänkt läge skall du vrida inställningsratten för djup flera varv i medurs riktning.
- Se alltid till att låstappen säkert har låst fast verktygshuvudet i det nedersta läget innan du vrider runt maskinen.

7. Svänga runt maskinen

⚠VARNING!

- Se till att maskinen är avstängd och att nätsladden är utdragen innan den vrids runt.
- Se till att du inte placerar din hand eller dina fingrar i reglagebordets fästområde när du trycker ner reglaget.

Fig.46

Håll i kanten på mitten av sågbordet med en hand och tryck ner reglaget med den andra handen, samtidigt som du håller ett stadigt tag i sågbordskanten och lutar sågbordet försiktigt för att svänga runt det. Fortsätt att hålla i det tills det låser fast.

8. Montering av det övre klingskyddet

Fig.47

Tryck in det övre klingskyddets tryckknapp till dess sida och med knappen intryckt placerar du klingskyddet på klyvknivens skåra och släpp sedan knappen.

Kontrollera efter att du släppt tryckknappen att det övre klingskyddet är fäst genom att försöka dra ut det.

⚠FÖRSIKTIGT!

- Kontrollera att det övre klingskyddet fungerar smidigt efter att det har monterats.

Inställning av maskinen i geringssågningsläge

⚠VARNING!

- Se till att det nedre klingskyddet C monteras innan maskinen används i geringssågningsläge.

För att ändra inställningen från bänksågningsläge till geringssågningsläge skall du följa proceduren i avsnittet "Inställning av maskinen i bänksågningsläge" i omvänd ordning.

1. Demontering av övre klingskyddet

Tryck in tryckknappen på det övre klingskyddet till dess sida och ta sedan bort det övre klingskyddet uppåt med tryckknappen fortfarande intryckt.

2. Montering av det nedre klingskyddet C

Placera det nedre klingskyddet C på bordet så att det passar in i skåran på sågbordet och dra åt låsskraven ordentligt.

3. Svänga runt maskinen

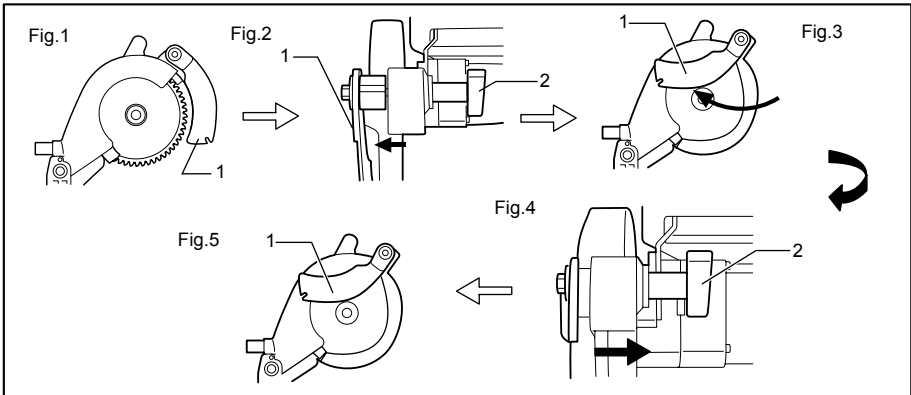
Se avsnittet "Inställning av maskinen i bänksågningsläge".

4. Frigör verktygshuvudet från dess helt nedsänkta läge.

Fig.48

Medan du håller i handtaget skall du föra låstappen i pilens riktning A och vrida den till 90° vinkel i pilens riktning B med låstappen utdragen, och sedan höja handtaget sakta.

5. Ändring av klyvknivens läge



1. Spaltkniv
2. Låsmutter

008075

Klyvknivens läge (Fig. 1) skall ändras enligt följande.

- (1) Lossa låsmuttern och håll i det nedre klingskyddet A i dess utskjutande kant (Fig. 2).
- (2) Medan du håller i det nedre klingskyddet A, skall du dra klyvkniven så att den vrids och sväng den sedan till läget i pilens riktning (Fig. 3).
- (3) Med klyvkniven i detta läge, för du tillbaka det nedre klingskyddet A till ursprungsläget och dra åt låsmuttern ordentligt (Fig. 4, 5).

ANVÄNDNING

⚠FÖRSIKTIGT!

- Se till att lösgöra handtaget från dess nedsänkta läge genom att dra ut låstappen och vrida den till 90° vinkel.
- Kontrollera att inte klingan är i kontakt med arbetsstycket eller något annat innan sågen sätts på.

GERINGSSÅGNING

⚠VARNING!

- Se till att det nedre klingskyddet C är monterat före användning av geringssågningsläget.

⚠FÖRSIKTIGT!

- Tryck inte för mycket på handtaget vid sågningen. Detta kan leda till att motorn överbelastas och/eller försämrad sågning. Tryck ner handtaget endast så mycket som behövs för att sågningen ska löpa smidigt utan att klingans hastighet minskar påtagligt.
- Tryck försiktigt ner handtaget för att såga. Om handtaget trycks ner hårt eller i sidled kommer klingan att vibrera vilket ger sågmärken i arbetsstycket samtidigt som sågprecisionen försämras.

1. Sågning genom tryck

Fig.49

Fäst arbetsstycket mot anhållet och geringsskivan. Starta maskinen utan att klingan har kontakt med arbetsstycket och vänta tills klingan har uppnått full hastighet. Sänk sedan handtaget försiktigt tills det har sänkts helt för att såga arbetsstycket. Stäng av maskinen när sågningen är avslutad och VÄNTA TILLS KLINGAN HAR STANNAT FULLSTÄNDIGT innan klingan återförs till sitt helt uppfällda läge.

2. Geringssägning

Se avsnittet "Inställning av geringsvinkeln" som förklarats tidigare.

3. Vinkelsågning

Fig.50

Lossa spaken och luta sågklingan till den önskade vinkeln (se avsnittet "Inställning av vinkeln för vinkelsågning" som beskrivits tidigare). Se till att spaken dras åt ordentligt för att fästa sågen säkert i den valda vinkeln. Fäst arbetsstycket mot anhållet och geringsskivan. Starta maskinen utan att klingan vidrör arbetsstycket och vänta tills klingan uppnår full hastighet. Sänk sedan handtaget försiktigt till dess helt nedsänkta läge medan tryck anläggs parallellt med klingan. Stäng av maskinen när sågningen är avslutad och VÄNTA TILLS KLINGAN HAR STANNAT FULLSTÄNDIGT innan klingan återförs till sitt helt uppfällda läge.

⚠FÖRSIKTIGT!

- Se alltid till att klingan rör sig ner i vinkelriktningen när vinkelsågning görs. Håll händerna borta från sågklingans väg.

- Under vinkelsågning kan ett avsågat stycke ligga kvar mot klingans sida. Om då klingan lyfts upp medan den fortfarande roterar, kan detta stycke dras med av klingan så att fragment kastas iväg vilket är farligt. Klingan får ENDAST höjas om den har slutat att rotera.
- När handtaget trycks ner, skall du trycka i samma riktning som klingan lutar. Om trycket inte är parallellt med klingan under sågningen kan klingans vinkel förskjutas, vilket ger sämre sågprecision.
- Ta alltid bort stödanhållet vid vinkelsågning åt vänster.

4. Kombinationssågning

Kombinationssågning är en process där vinkelsågning utförs i kombination med att en geringsvinkel sågas i ett arbetsstycke. Kombinationssågning kan utföras vid vinkel som visas i tabellen nedan.

Vinkel för vinkelsågning	Geringsvinkel
45°	Vänster och höger 0°-45°

006366

Se avsnittet "Sågning genom tryck", "Geringsågning" och "Vinkelsågning" när du vill utföra kombinationssågning.

5. Sågning av aluminiumstycken

Fig.51

Använd klossar eller träbitar när ett aluminiumstycke skall fästas såsom visas i figuren, för att förhindra att aluminiumstycket deformeras. Använd sågolja vid sågningen i aluminium, för att förhindra att aluminiummaterialet fastnar och lagras på klingan.

⚠FÖRSIKTIGT!

- Försök aldrig såga tjocka eller runda aluminiumstycken. Tjocka aluminiumstycken kan lossa under pågående sågarbete och runda aluminiumstycken kan inte fästas ordentligt med denna maskin.
- Såga aldrig aluminium i bänksågningsläget.

BÄNKSÅGNING

⚠FÖRSIKTIGT!

- Använd alltid "arbetshjälp" så som matarpinnar och matarblock när det föreligger risk för att dina händer eller fingrar kommer i närheten av sågbladet.
- Håll alltid fast arbetsstycket stadigt mot sågbordet och parallellanslaget. Böj eller vrid inte arbetsstycket när det matas. Om det böjs eller vrids kan farliga bakåtkast ske vid drift.
- Dra ALDRIG tillbaka arbetsstycket medan sågbladet snurrar. Om du måste dra tillbaka arbetsstycket innan sågningen är genomförd,

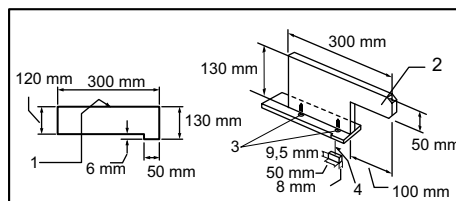
stänger du första av maskinen samtidigt som du håller stadigt i arbetsstycket. Vänta tills sågbladet har stannat helt innan du drar bort arbetsstycket. I annat fall kan farliga bakåtkast ske.

- Avlägsna ALDRIG avsågade bitar medan sågbladet snurrar.
- Placera ALDRIG dina händer eller fingrar i sågklingans rörelseriktning.
- Lås alltid fast parallellanslaget ordentligt annars kan farliga bakåtkast ske.
- Använd alltid "arbetshjälp" så som matarpinnar och matarblock när du sågar små eller smala arbetsstycken eller när klingan inte är synligt under sågningen.
- Ta alltid bort stödanhållet vid vinkelsågning åt vänster.

Arbetshjälp

Matarpinnar, matarblock och extra anslag är olika typer av "arbetshjälp". Använd dem för att utföra säkra sågningar utan att operatören kommer i kontakt med sågbladet med någon del av sin kropp.

Matarblock



1. Passbit
2. Handtag
3. Träskruv
4. För ihop

006080

Använd en bit plywood 19 mm tjock.

Handtaget skall befinna sig i mitten av plywoodbiten. Fäst med lim och träskruvar enligt figuren. En liten bit trä på 9,5 mm x 8 mm x 50 mm måste alltid limmas på plywoodbiten för att förhindra att klingan vibrerar om operatören sågar i matarblocket av misstag. (Använd aldrig spik i matarblock).

Extra anslag

Fig.52

Gör extra anslag av plywoodbitar på 9,5 mm och 19 mm.

Klyvsågning

⚠FÖRSIKTIGT!

- Ta bort geringsanslaget från arbetsbordet vid klyvsågning.
- Se alltid till att ha lämpligt stöd för arbetsstycket på baksidan av arbetsbordet vid sågning av långa eller stora stycken. LÅT INTE en lång skiva flytta sig längs arbetsbordet. Detta gör så att sågbladet fastnar och ökar möjligheten för bakåtkast och personsador. Stödet skall vara av samma höjd som arbetsbordet.

1. Justera sågdjupet till något större än arbetsstyckets tjocklek. Se avsnittet "Inställning av sågdjup" för att utföra denna justering.
2. Placera parallellanslaget på önskad klyvbredd och fäst det med låsskruven (A). Före klyvningen måste du kontrollera att parallellanslagshållarens två skruvar är åtdragna. Om inte drar du åt dem igen.
3. Starta maskinen och mata försiktig in arbetsstycket i sågbladet längs parallellanslaget.
 - (1) När klyvningens bredd är 150 mm och mer använder du försiktigt en hand för att mata arbetsstycket. Använd den andra handen för att hålla arbetsstycket på plats längs parallellanslaget.

Fig.53

- (2) När klyvningens bredd är 65 mm - 150 mm använder du matarpinnen för att mata arbetsstycket.

Fig.54

- (3) När klyvningen är smalare än 65 mm, kan inte matarpinnen användas eftersom den kommer att slå mot klingskyddet. Använd extra anslag och påskjutarkloss. Montera det extra anslaget stadigt på parallellanslaget med två "C"-klämmor.

Fig.55

Mata arbetsstycket med handen tills änden är cirka 25 mm från övre sågbordets främre kant. Fortsätt mata med hjälp av matarblocket ovanpå det extra anslaget tills sågningen genomförts.

Fig.56

Tvårsågning

⚠FÖRSIKTIGT!

- Ta bort parallellanslaget från arbetsbordet vid tvårsågning.
- Se alltid till att ha lämpligt stöd för arbetsstycken på arbetsbordets sidor vid sågning av långa eller stora stycken. Stödet skall vara av samma höjd som arbetsbordet.
- Håll alltid händerna borta från klingans såglinje.

Geringsanslag

Använd geringsanslaget vid de fyra olika sågningarna som visas i figuren.

Fig.57

⚠FÖRSIKTIGT!

- Dra åt vredet på geringsanslaget ordentligt.
- Undvik att arbetsstycket och anslaget kryper genom att hålla stadigt i det, speciellt vid sågning i vinklar.
- Håll ALDRIG i den del av arbetsstycket som ska sågas av.

Användning av geringsanslag

Fig.58

Skjut in geringsanslaget i arbetsbordets breda spår. Lossa vredet på anslaget och ställ in önskad vinkel (0° till 60°). Håll arbetsstyckets bakdel dikt an mot anslaget och mata långsamt mot sågbladet.

Extra träfördring (geringsanslag)

Fig.59

För att förhindra att långa brädor vibrerar monterar du ett extra anslag på geringsanslaget. Fäst med bultar/muttrar i borrade hål. Fästena får inte skjuta ut från anslaget.

Bära maskinen

Fig.60

Se till att maskinens nätsladd är utdragen. Fäst klingan vid 0° vinkelsågning och geringssskivan vid 0° geringsvinkel för maskinen som precis har använts i geringsågningsläge. Sänk ner handtaget helt och lås det i nedsänkt läge genom att trycka in låstappen helt. Bär maskinen genom att hålla enligt figuren.

Fig.61

⚠FÖRSIKTIGT!

- Fäst alltid alla rörliga delar innan du bär maskinen.
- Ställ alltid in maskinen i geringsågningsläge innan du bär den.
- Se till att den nedre sågklingan C är monterad på maskinen.

UNDERHÅLL

⚠FÖRSIKTIGT!

- Se alltid till att maskinen är avstängd och nätkabeln utdragen innan inspektion eller underhåll utförs.
- Använd inte bensin, thinner, alkohol eller liknande. Missfärgning, deformation eller sprickor kan uppstå.

⚠VARNING!

- Se alltid till att klingan är vass och ren för att få ett så bra och säkert resultat som möjligt.

Inställning av sågvinkeln

Maskinen är noga inställd och inriktad på fabriken, men ovarsam hantering kan påverka detta. Om maskinen inte är korrekt riktad gör du på följande sätt:

1. Geringsvinkel

Fig.62

Geringsvinkelns 0° inställningsbultar är placerade i fyra positioner.

Lossa de fyra inställningsbultarna för geringsvinkeln 0° genom att vrida muturs från undersidan av bordet.

Sänk ner handtaget helt och lås det i nedsänkt läge genom att dra och rotera låstappen medurs till 90° vinkel. Kontrollera med t.ex. vinkelhake att klingans sida är vinkelrät mot anhållet. Dra sedan åt de fyra inställningsbultarna på underarmen från undersidan av bordet. Kontrollera att pekaren indikerar 0° på geringsskalan. Om den inte gör det skruvar du loss pilen och justerar den så att den pekar rätt. Fäst skruven ordentligt efter att den justerats.

Fig.63

2. Vinkel för vinkelsågning

Fig.64

- 0° vinkel för vinkelsågning
Sänk ner handtaget helt och lås det i nedsänkt läge genom att dra och rotera låstappen medurs till 90° vinkel. Lossa spaken på maskinens baksida.
Vrid, från undersidan av bordet, inställningsbulten för 0° vinkel för vinkelsågning på underarmens högra sida två eller tre varv moturs för att luta klingan åt höger.
Justera noggrant klingans sida och geringsskivans ovansida i rät vinkel med en vinkelhake, vinkellinjal etc. genom att vrida inställningsbulten för 0° vinkel för vinkelsågning medurs.

Fig.65

Kontrollera att pekaren på geringsskivan indikerar 0° på armens vinkelskala. Om pekaren inte indikerar 0° lossar du skruven som fäster pekaren och justerar den så att den indikerar 0°.

Fig.66

- 45° vinkel för vinkelsågning
Justera vinkeln för 45° vinkelsågning först efter att vinkeln för 0° vinkelsågning har ställts in. Lossa spaken och luta klingan så långt det går till vänster, för att justera vänster vinkel för 45° vinkelsågning. Kontrollera att pekaren på armen indikerar 45° på armhållarens vinkelskala. Vrid, från sågbordets undersida, inställningsbulten för 45° vinkelsågning på underarmens vänstra sida, om pekaren inte indikerar 45° tills den pekar på 45°.

Byte av kolborstar

Fig.67

Ta bort och kontrollera kolborstarna regelbundet. Byt dem när de är slitna ner till slitmarkeringen. Håll kolborstarna rena så att de lätt kan glida in i hållarna. Båda kolborstarna ska bytas ut samtidigt. Använd endast identiska kolborstar.

Använd en skruvmejsel för att ta bort locken till kolborstarna. Ta ur de utslitna kolborstarna, montera nya och montera locken.

Fig.68

Efter användning

- Efter användning tar du bort spån och damm som har fastnat på maskinen med en tygduk eller liknande för att försäkra maximal livslängd. Se till att du håller klingskydden rena, i enlighet med de anvisningar som tidigare beskrivits i avsnittet med titeln "Klingskydd". Smörj in de rörliga delarna med maskinolja för att förhindra rostbildning.

För att upprätthålla produktens SÄKERHET och TILLFÖRLITLIGHET bör allt underhålls- och justeringsarbete utföras av ett auktoriserat Makita servicecenter och med reservdelar från Makita.

VALFRIA TILLBEHÖR

⚠ FÖRSIKTIGT!

- Dessa tillbehör och tillsatser rekommenderas för användning tillsammans med den Makita-maskin som denna bruksanvisning avser. Om andra tillbehör eller tillsatser används kan det uppstå risk för personskador. Använd endast tillbehören eller tillsatserna för de syften de är avsedda för.

Kontakta ditt lokala Makita servicecenter om du behöver ytterligare information om dessa tillbehör.

- HM-pläterat sågblad av stål
- Vertikal tving
- Insexnyckel 6
- Damppåse
- Vinkelhake
- Dammkåpa (Nedre klingskydd C)
- Matarpinne
- Linjal (Parallellanslag)
- Geringanslag
- Fotplatta (3 delar)
- Insexbultar (3 delar)
- Vinkelrör
- Övre höljet (Övre klingskydd)

OBS!

- Några av tillbehören i listan kan vara inkluderade i maskinpaketet som standardtillbehör. De kan variera mellan olika länder.

NORSK (originalinstruksjoner)

Oversiktsforklaring

1-1. Justeringsmutter	22-4. Indre flens	41-1. Spak
1-2. Fot	22-5. Spindel	42-1. Nedre grenseanslag
2-1. Sekskantskrue	22-6. Ring	42-2. Justeringskrue
2-2. Festeplate	23-1. Klemmutter	43-1. Klemskrue
3-1. U-formede spor	23-2. Sekskantbolt	44-1. Anslagsstift
4-1. Nedre bladvern A	23-3. Kløyvekniv	45-1. Motordelen låst i helt senket stilling
4-2. Nedre bladvern B	24-1. Kløyvekniv	46-1. Spak
5-1. Nedre bladvern C (brukes kun i gjærsagmodus)	24-2. Sagblad	46-2. Området på spaken hvor hånden/fingeren skal plasseres
6-1. Skyveknapp	25-1. Bladbredde	46-3. Deler som skal hektes fast
6-2. Kløyvekniv	25-2. Kløyvekniv	47-1. Skyveknapp
6-3. Øvre bladvern (brukes når sagen brukes som bordsag)	25-3. Sekskantbolt	47-2. Kløyvekniv
7-1. Toppoverflate på dreiefot brukes som bordsag)	26-1. Holder for parallellanlegg	47-3. Øvre bladvern (brukes når sagen brukes som bordsag)
7-2. Utkanten av bladet	26-2. Føringssskinne	48-1. Anslagsstift
7-3. Føringsflate	26-3. Klemskrue (A)	49-1. Skrustikke (tilbehør)
8-1. Nedre grenseanslag	26-4. Klemskrue (B)	50-1. Skrustikke (tilbehør)
8-2. Justeringskrue	26-5. Parallellanlegg	51-1. Skrustikke
8-3. Mutter	27-1. Parallellanlegg	51-2. Avstandskloss
9-1. Klemskrue	27-2. Holder for parallellanlegg	51-3. Føringsflate
9-2. Føringsflate	27-3. Innrettingslinje: Linje A	51-4. Aluminiumsekstrudering
10-1. Håndtak	27-4. Sagblad	51-5. Avstandskloss
10-2. Dreiebord	27-5. Toppbord	52-1. Vendt mot/kant parallell
11-1. Spak	27-6. Arbeidsemne	54-1. Støtstang
12-1. Håndtak	28-1. Parallellanlegg	55-1. Hjelpelanlegg
13-1. Spak	28-2. Holder for parallellanlegg	56-1. Støtblokk
13-2. Justeringsknott for skjæredybde	28-3. Sagblad	56-2. Hjelpelanlegg
14-1. Bryter i gjærsagmodus	29-1. Parallellanlegg	57-1. Kapping
14-2. Bryter i bordsagmodus	29-2. Holder for parallellanlegg	57-2. Gjæring
14-3. AV-sperreknapp	29-3. Firkantmutter	57-3. Skråkjæring
14-4. Startbryter	29-4. Klemskrue (A)	57-4. Lamellgjæring (vinkler)
14-5. Håndtak	29-5. Klemskrue (B)	58-1. Spor
14-6. Spak	30-1. Skala	58-2. Gjæringsmåler
14-7. På-knapp	31-1. Parallellanlegg	58-3. Knott
14-8. Av-knapp	31-2. Holder for parallellanlegg	60-1. Anslagsstift
15-1. Justeringsknott for skjæredybde	31-3. Justeringskrue	61-1. Bæring av verktøyet
16-1. Anslagsstift	32-1. Parallellanlegg	63-1. Trekantlinjal
17-1. Sekskantnøkkel	32-2. Sagblad	63-2. Sagblad
17-2. Nøkkelholder	32-3. Øvre bladvern	63-3. Føringsflate
18-1. Sekskantbolt	33-1. Gjæringsmåleranlegg	64-1. 0° justeringskrue
18-2. Sekskantnøkkel	33-2. Gjæringsmåler	64-2. 45° justeringskrue
18-3. Spindellås	33-3. Spor	65-1. Trekantlinjal
19-1. Spak	34-1. Støvmunnstykke	65-2. Sagblad
19-2. Løftespak	34-2. Støvpose	65-3. Toppoverflate på dreiebord
20-1. Sagblad	35-1. Støvpose	66-1. Arm
20-2. Nedre bladvern B	35-2. Festemekanisme	66-2. Skråskala
21-1. Bladkasse	37-1. Støvmunnstykke	66-3. Pil
21-2. Pil	37-2. Albu	66-4. Dreiebord
21-3. Sagblad	39-1. Skrustikkeknott	67-1. Utskiftingsmerke
21-4. Pil	39-2. Skrustikkegang	68-1. Børsteholderhette
22-1. Sekskantbolt	39-3. Klemskrue	68-2. Skrutrekker
22-2. Ytre flens	39-4. Skrustikkearm	
22-3. Sagblad	39-5. Føringsflate	
	40-1. Klemskrue	
	40-2. Føringsflate	

TEKNISKE DATA

Modell	LF1000
Bladdiameter	260 mm
Bladtykkelse	1,8 mm - 2,0 mm
Spalteknivtykkelse	2,2 mm
Hulldiameter	
For land i Europa	30 mm
Maks. skjærekapasitet (H x B) med blad på 260 mm i diameter i gjæringsmodus	

Skjæringsvinkel	Gjæringsvinkel
0°	20 mm x 180 mm
	68 mm x 155 mm
45° (venstre)	50 mm x 150 mm

Maks. skjærekapasitet ved 90° i bordsagmodus (benkmodus)	70 mm
Hastighet uten belastning (min ⁻¹)	2 700
Bordstørrelse (B x L)	500 mm x 555 mm
Mål (L x B x H1(merk 1)/H2(merk 2)) i gjæringsmodus	660 mm x 650 mm x 1 220 mm / 800 mm
i bordsagmodus	660 mm x 650 mm x 1 060 mm / 845 mm
Nettvekt	36 kg
Sikkerhetsklasse	II/III

Merk1 H1: Høyde opp til verktøyhodet











Merk2 H2: Høyde opp til bordet

- Som følge av vårt kontinuerlige forsknings- og utviklingsprogram kan de tekniske dataene endres uten ytterligere forvarsel.
- Tekniske data kan variere fra land til land.
- Vekt i henhold til EPTA-prosedyre 01/2003

END213-8

Symboler

Nedenfor ser du symbolene som brukes for dette utstyret. Forviss deg om at du forstår hva de betyr, før du begynner å bruke maskinen.

-  • Les bruksanvisningen.
-  • DOBBEL ISOLERING
-   • Etter at du har skåret, bør du holde sagen ned helt til bladet stopper for å unngå skader fra flyvende avfall.
-  • Ikke legg hender eller fingre nær sagbladet.
-  • For din egen sikkerhet bør du fjerne biter og avskjær osv. fra bordet før du begynner arbeidet.
-  • Koble maskinen fra strømmettet før du snur den rundt akslen.
-    • Plasser hendene skikkelig når du bærer den.



- Ikke løft opp toppen av kløyvegjærdet når du installerer eller fjerner det.



- Løsne skruen ved å skru den med klokken.



- Kun for EU-land
Kast aldri elektroutstyr i husholdningsavfallet!
I henhold til EU-direktivet om kasserte elektriske og elektroniske produkter og direktivets iverksetting i nasjonal rett, må elektriske produkter som ikke lenger skal brukes, samles separat og returneres til et miljøvennlig gjenvinningsanlegg.

ENE061-1

Beregnet bruk

Denne maskinen er laget for nøyaktig, rett- og gjæringskjæring i tre. Maskinen kan brukes i både gjæringsmodus og i bordsagmodus ved å snu bordet rundt akslen.

ENE002-2

Strømforsyning

Maskinen må bare kobles til en strømkilde med samme spenning som vist på typeskiltet, og kan bare brukes med enfase-vekselstrømforsyning. Den er dobbelt verneisoleret og kan derfor også brukes fra kontakter uten jording.

Støy

Typisk A-vektet lydtryknivå er bestemt i henhold til EN61029:

Lydtryknivå (L_{pA}): 91 dB (A)
 Lydeffektnivå (L_{WA}): 108 dB (A)
 Usikkerhet (K): 3 dB (A)

Bruk hørselvern

ENG900-1

Vibrasjon

Den totale vibrasjonsverdien (triaksial vektorsum) bestemt i henhold til EN61029:

Genererte vibrasjoner (a_h): 2,5 m/s² eller mindre
 Usikkerhet (K): 1,5 m/s²

ENG901-1

- Den angitte verdien for de genererte vibrasjonene er blitt målt i samsvar med standardtestmetoden og kan brukes til å sammenlikne et verktøy med et annet.
- Den angitte verdien for de genererte vibrasjonene kan også brukes til en foreløpig vurdering av eksponeringen.

⚠ ADVARSEL:

- De genererte vibrasjonene ved faktisk bruk av elektroverktøyet kan avvike fra den oppgitte vibrasjonsverdien, avhengig av hvordan verktøyet brukes.
- Vær påpasselig med å finne sikkerhetstiltak som beskytter operatøren, basert på en oppfatning av risiko under faktiske bruksforhold (på bakgrunn av alle sider ved brukssyklusen, som når verktøyet slås av og når det går på tomgang, i tillegg til oppstarten).

ENH003-15

Gjelder bare land i Europa**EF-samsvarserklæring****Makita erklærer at følgende maskin(er):**

Maskinbetegnelse:

Kombisag

Modellnr./type: LF1000

Samsvarer med følgende europeiske direktiver:

2006/42/EC

De er produsert i henhold til følgende standarder eller standardiserte dokumenter:

EN61029

Den tekniske filen i samsvar med 2006/42/EF er tilgjengelig fra:

Makita, Jan-Baptist Vinkstraat 2, 3070, Belgia



000331

Yasushi Fukaya
 Direktør

Makita, Jan-Baptist Vinkstraat 2, 3070, Belgia

GEA010-1

Generelle advarsler angående sikkerhet for elektroverktøy

⚠ ADVARSEL Les alle sikkerhetsadvarslene og alle instruksjonene. Hvis du ikke følger alle advarslene og instruksjonene som er oppført nedenfor, kan det føre til elektriske støt, brann og/eller alvorlige helseskader.

Oppbevar alle advarsler og instruksjoner for senere bruk.

ENB094-6

SIKKERHETSADVARSLER FOR KOMBISAG**BÅDE FOR GJÆRINGSSAG MODUS OG BORDSAG (BENKSAG) MODUS**

- Kontroller bladet nøye for sprekker eller deformering før drift.
Skift ut skadet blad umiddelbart.
- Ikke bruk sagen uten verneinnretninger og kløyvekniv, spesielt etter en modusendring. Kontroller bladvernene for riktig lukking før hver bruk. Ikke bruk sagen hvis bladvern ikke beveger seg fritt og lukker seg umiddelbart. Klem eller fest aldri bladvernene inn i åpen posisjon. Enhver uvanlig drift av bladvernene skal korrigeres umiddelbart.
- Bruk kun de sagbladene som er spesifisert av produsenten og som oppfyller kravene i EN847-1. Sporbredden på kuttet må være tykkere enn kløyvekniven, og bladdelen må være tynnere enn kløyvekniven.
- Ikke bruk sagblader som er laget av høyhastighetsstål.
- Bruk hørselsvern.
- Bruk hørselsvern for å redusere risikoen for hørselstap.
- Bruk hansker for håndtering av sagblader (sagblader skal bæres i en holder der det er praktisk) og ru materialer.
- Koble maskinen til et støvoppsamlingsapparat når du sager.
- Når du ikke bruker skyvepinnen må du alltid legge den bort.
- Hold gulvet rundt maskinen godt ved like og fritt for løse materialer som f.eks. biter og avskjær.

11. Den som skal bruke redskapet har fått god nok opplæring i bruk, justering og drift av maskinen.
12. Stopp og koble fra saken når den er uten tilsyn.
13. Pass alltid på at bladet er skarpt og rent for å redusere lydutslipp.
14. Bruk bare sagblader som er merket med en maksimumshastighet som er lik eller høyere enn hastigheten uten belastning som er merket på verktøyet.
15. Fjern aldri eventuelt avkapp eller andre deler av arbeidsstykket fra skjæreområdet mens verktøyet kjører med et sagblad uten vern.
16. Verktøyet skal ikke brukes til hulling, avfasing eller sporlagning.
17. Rengjør og pass på å ikke ødelegge spindelen, flensene (særlig monteringsflaten) og festebolten før eller under installering av bladet. Skade på disse delene kan resultere i at bladet brekker. Dårlig installering kan føre til vibrering/vingling eller at bladet glir. Bruk bare flensers som er spesifisert for dette verktøyet.
18. Bruk alltid utstyr anbefalt i denne håndboken. Bruk av upassende utstyr som rue avskjærskiver kan føre til personskader.
19. Velg riktig sagblad for materialet som skal skjæres.
20. Ikke skjær metallobjekter som spiker og skruer. Se etter og fjern all spiker og andre fremmedlegemer fra arbeidsemnet før arbeidet påbegynnes.
21. Slå ut alle løse kvister fra arbeidsstykket FØR du begynner å skjære.
22. Ikke bruk maskinen i nærheten av brennbare væsker eller gasser.
23. For din egen sikkerhet bør du fjerne biter og avskjær osv. fra arbeidsområdet og bordet før du kobler til maskinen og begynner arbeidet.
24. Hold dine hender og pass på at du og andre har kroppen utenfor bladets bane, og ikke på linje med bladet Unngå kontakt med roterende blader. Det kan likevel forårsake personskade så strekk deg aldri rundt sagbladet.
25. Vær alltid oppmerksom, spesielt under arbeid som er rutinemessig og monotont. Ikke la deg lure av en falsk sikkerhetsfølelse. Blader er ekstremt uforsonlige.
26. Forsikre deg om at skaftlåsen er av før du slår på knappen.
27. Før du begynner å bruke maskinen på et arbeidsstykke, bør du la den gå en liten stund. Se etter vibrasjoner eller vingling som kan tyde på at bladet er dårlig balansert.
28. Vent til bladet har full hastighet før du skjærer.
29. Ikke fjern avskjær eller andre deler av arbeidsstykket fra skjæreområdet mens maskinen er på og saghodet ikke er i hvileposisjon.
30. Hvis du merker at noe er uvanlig, må du omgående stoppe arbeidet.
31. Slå av maskinen og vent til sagbladet stopper før du flytter arbeidsstykket eller endrer innstillingen.
32. Trekk ut kontakten til maskinen når du skifter blader, reparerer den eller når den ikke er i bruk.
33. Noen typer støv som produseres ved bruk inneholder kjemikalier som er kjent for å forårsake kreft, fosterskader eller annen reproduktiv skade. Noen eksempler på disse kjemikalierne:
 - bly fra materialer malt med blybasert maling og,
 - arsenikk og krom fra kjemisk behandlet tømmer.
 Din risiko fra denne utsettelsen varierer, etter som hvor ofte du gjør denne typen arbeid. For å redusere utsettelsen for disse kjemikalierne: arbeid i et godt ventilert område og arbeid med godkjent sikkerhetsstyr, som de støvmaskene som er utarbeidet spesielt for å filtrere ut mikroskopiske partikler.
34. Forsikre deg om at benksagbordet er sikret godt fast ved den valgte høyden.

NÅR DEN BRUKES I GJÆRINGSSAG MODUS:

35. Ikke bruk saken til å skjære annet enn tre, aluminium eller lignende materialer.
36. Utfør aldri en jobb på frihånd. Arbeidsstykket må festes skikkelig mot kontaktelementet og føringsflaten med skrustikken ved all bruk. Bruk aldri hånden til å sikre arbeidsstykket.
37. Kontroller at verktøyet er stabilt før hvert kapp.
38. Støtt opp lange arbeidsstykker med egnede ekstrastøtter.
39. Du må aldri skjære i arbeidsemner som er så små at de ikke kan holdes sikkert av skrustikken. Arbeidsemner som ikke er festet skikkelig, kan føre til tilbakeslag og alvorlig personskade.
40. Forsikre deg om at kontaktelementet er sikret skikkelig slik at den ikke kan forskyve seg under bruk.
41. Forsikre deg om at kontaktelementet er sikret godt fast når du skjærer skrått. Stram matehendelen med klokken for å feste kontaktelementet.
42. Forviss deg om at bladet ikke er i kontakt med kontaktelementet i den laveste stillingen og at det ikke kommer borti arbeidsstykket før startbryteren er slått på.
43. Hold håndtaket godt fast. Vær oppmerksom på at saken går litt opp og ned når den startes og stoppes.

NÅR DEN BRUKES I BORDSAG (BENKSAG) MODUS:

44. Utfør aldri en jobb på frihånd. Frihånd betyr at du bruker hendene til å støtte eller føre arbeidsstykket isteden for et parallellanlegg.
45. Forsikre deg om at kontaktelementet er sikret godt fast når du skjærer skrått.
46. Forsikre deg om at kontaktelementet er sikret godt fast i arbeidsstillingen. Stram matehendelen med klokken for å feste kontaktelementet.
47. Bruk en skyvepinne eller en skyveklosse for å unngå å jobbe med hendene og fingrene nært sagbladet.
48. Forviss deg om at bladet ikke er i kontakt med kløyvekniven eller arbeidsstykket før startbryteren slås på.
49. Legg ekstra godt merke til instruksjonene for å redusere risiko for at maskinen SLÅR TILBAKE MOT OPERATØREN. TILBAKESLAG er en plutselig reaksjon på et klemt, fastsittende eller feiljustert sagblad. Dette fører til at arbeidsstykket kastes tilbake i retning av operatøren. TILBAKESLAG KAN FØRE TIL ALVORLIG PERSONSKADE. Unngå TILBAKESLAG ved å holde bladet skarpt, ved å holde parallellanlegget parallelt med bladet, ved å holde kløyvekniven og bladvernet på plass og i skikkelig stand, ved å la være å slippe arbeidsstykket til du har dyttet det helt forbi bladet, og ved ikke å kløyve et arbeidsstykke som er vridd eller bøyd eller som ikke har rette kanter som kan føres langs parallellanlegget.
50. Unngå plutselig, rask mating. Mat så sakte som mulig når du skjærer harde arbeidsstykker. Ikke bøy eller vri arbeidsstykket når du mater. Slå av maskinen omgående hvis bladet stopper eller setter seg fast i arbeidsstykket. Koble fra maskinen. Fjern så den fastskjærte biten.
51. Forviss deg alltid om at stoppernålen har låst maskinhodet helt i den laveste stillingen før du snur maskinen.

TA VARE PÅ DISSE INSTRUKSENE.

⚠ADVARSEL:

Selv om du har brukt produktet mye og føler deg fortrolig med det, er det likevel svært viktig at du følger nøye de retningslinjene for sikkerhet som er utarbeidet for dette produktet. MISBRUK av verktøyet eller mislighold av sikkerhetsreglene i denne brukerhåndboken kan resultere i alvorlige helseskader.

MONTERING

⚠FORSIKTIG:

Hold området rundt verktøynivået i orden og fri for løse materialer som f.eks. flis og avskjær.

Montere benk

For helt forlengede ben, montert som høyt bord

Når verktøyet ikke kan settes opp stabilt, må du dreie på justeringsmutteren på verktøyfoten for å oppnå riktig stabilitet. Drei mot klokken sett ovenfra for å forkorte foten og med klokken for å forlenge den. Etter justeringen må du forsikre deg om at maskinen står støtt.

Fig.1

Monter festeplatene med den vinklede enden pekende utover på tre av verktøyføttene med sekskantskruer. Sikre verktøyet på den stabile og jevne overflaten ved hjelp av skruhellene i festeplatene med tre skruer.

Fig.2

For foldeføtter oppsatt som lavt bord

Fig.3

Når sagen er klar i fotfoldet posisjon, må du sikre den ved hjelp av de U-formede sporene som er vist i figuren.

FUNKSJONSBSKRIVELSE

⚠FORSIKTIG:

- Forviss deg alltid om at maskinen er slått av og støpselet trukket ut av kontakten før du justerer maskinen eller kontrollerer dens mekaniske funksjoner.

Bladvern

Fig.4

Fig.5

Fig.6

⚠FORSIKTIG:

- Pass på at håndtaket ikke kan senkes uten at du må skyve spaken ved håndtaket mot venstre.
- Forsikre deg om at de nedre bladvernene A ikke åpner med mindre spaken nær håndtaket skyves til håndtakets topposisjon.
- Pass på at nedre bladvern C monteres før du bruker sagen i gjærsagmodus.

Når du senker håndtaket mens du skyver spaken mot venstre, heves nedre bladvern A automatisk. Nedre bladvern B heves når det kommer i berøring med et arbeidsemne. De nedre bladvernene er fjærbelastet, slik at de går tilbake til utgangsposisjon når kuttet er fullført og håndtaket er hevet. Det øvre bladvernet faller flatt ned mot bordflaten når arbeidsemnet har passert under det. **DU MÅ ALDRI SETTE DE NEDRE BLADVERNENE UT AV FUNKSJON ELLER DEMONTERE DEM. DETTE GJELDER OGSÅ FOR FJÆREN SOM SITTE PÅ NEDRE BLADVERN OG ØVRE BLADVERN, med unntak av merknaden nedenfor.**

For din personlige sikkerhet, må du alltid holde alle bladvernene i god stand. Alle uregelmessigheter i vernene må fjernes omgående. Kontroller for å forsikre deg om at fjærene på de nedre bladvernene går tilbake til utgangsposisjon. **BRUK ALDRI MASKINEN HVIS NEDRE BLADVERN, FJÆREN ELLER ØVRE BLADVERN ER SKADET, DEFECT ELLER DEMONTERT.** (Se unntak nedenfor.) **DETTE ER SVÆRT FARLIG OG KAN FORÅRSAKE ALVORLIGE PERSONSKADER.**

MERK:

- Det er følgende unntak for demontering av vern. Nedre bladvern C demonteres bare når du bruker sagen i bordsagmodus. Øvre bladvern demonteres bare når du bruker sagen i gjærsagmodus.

Hvis de gjennomskjete bladvernene blir skitne eller det fester seg sagmugg til dem slik at bladet ikke lenger kan ses, må du koble fra sagen og rengjøre vernene nøye med en fuktig klut. Ikke bruk løsemidler eller petroleumbaserte rengjøringsmidler på plastvernene.

Hvis nedre bladvern A er spesielt skittent og du ikke kan se gjennom det, går du frem på følgende måte. Hev håndtaket helt. Demontér sagbladet (se avsnittet "Montere eller demontere sagblad"). Hev nedre bladvern A mens du skyver spaken mot venstre. Når nedre

bladvern A er i denne posisjonen, er det lettere å foreta en komplett og effektiv rengjøring. Når rengjøringen er fullført, går du frem på samme måte som over i motsatt rekkefølge for å sikre skruen.

Hvis øvre bladvern befinner seg i den tilstanden som er beskrevet over, må du trykke på knappen med fronten mot overflatetoppen og demontere vernet. Etter rengjøringen må du alltid montere det på en sikker måte. Hvis noen av bladvernene blir misfarget på grunn av alder eller UV-stråler, må du kontakte et Makita servicesenter for et nytt vern. **IKKE SETT VERN UT AV FUNKSJON ELLER DEMONTER DEM.**

Vedlikeholde maksimum skjærekapasitet

Fig.7

Sagen er fabrikkjustert for å gi maksimal skjærekapasitet for et 260 mm sagblad.

Når du monterer et nytt blad, må du alltid sjekke nedre grenseposisjon for bladet og justere det på følgende måte ved behov:

⚠FORSIKTIG:

- Koble fra strømmen til sagen når du foretar denne justeringen.

Trekk først støpselet til maskinen ut av stikkkontakten. Senk håndtaket helt. Bruk nøkkelen til å dreie justeringsskruen slik at utkanten av bladet stikker litt nedenfor oversiden av dreiebordet på det punktet hvor fronten på føringsflaten møter oversiden av dreiebordet. Roter bladet for hånd mens du holder håndtaket helt ned for å forsikre deg om at det ikke berører noen deler av den nedre foten (sagen må være koblet fra). Etterjuster noe ved behov.

⚠FORSIKTIG:

- Når du har montert et nytt blad, må du alltid forsikre deg om at bladet ikke er i kontakt med noen deler av den nedre foten når håndtaket er helt senket. Dette må alltid gjøres mens sagen ikke har strøm.

Denne sagen kan brukes med eller uten nedre grense ved å endre nedre grenseanslag som vist i figuren.

For å bruke sagen uten nedre grense, må du dreie anslagsenden mot klokken. Bruk i denne stillingen er egnet for saging av brede og tykke arbeidsemner.

For å bruke sagen med nedre grense, må du bevege anslagsenden med klokken. Bruk i denne stillingen er egnet for saging av tykke arbeidsemner.

Fig.8

Justere gjæringsvinkelen

Fig.9

Fig.10

Løsne klemskruen på føringsflaten ved å dreie den mot klokken. Drei dreiebordet med håndtaket. Når du har beveget håndtaket til den stillingen hvor pekeren viser mot ønsket vinkel på gjæringssskalane, må du stramme klemskruen godt med klokken.

⚠FORSIKTIG:

- Når du dreier dreiebordet, må du heve håndtaket helt.
- Når du har endret gjæringsvinkelen, må du alltid sikre dreiebordet ved å stramme klemskruen godt.

Justere skråvinkelen

I gjærsagmodus

Fig.11

Fig.12

Juster skråvinkelen ved å løsne spaken bak på sagen mot klokken.

Skyv håndtaket mot venstre for å vippe sagbladet til pekeren viser mot ønsket vinkel på skråskaalen. Stram spaken godt med klokken for å sikre armen.

⚠FORSIKTIG:

- Når du vipper sagbladet, må du heve håndtaket helt.
- Når du har endret skråvinkelen, må du alltid sikre armen ved å stramme spaken med klokken.

I bordsagmodus

Fig.13

Juster skråvinkelen ved å løsne spaken under bordet foran på sagen mot klokken.

Beveg dybdejusteringsknotten mot venstre for å vippe sagbladet til pekeren viser mot ønsket vinkel på skråskaalen. Stram spaken godt med klokken for å sikre armen.

Bryterfunksjon

Fig.14

Bryter for gjærsagmodus

⚠FORSIKTIG:

- Før du kobler maskinen til strømmettet, må du alltid kontrollere at startbryteren aktiverer maskinen på riktig måte og går tilbake til "AV"-stilling når den slippes.
- Når du ikke bruker verktøyet, må du ta av AV-sperrehendelen og oppbevare den på et trygt sted. Dette forhindrer at uvedkommende kan bruke verktøyet.
- Ikke press hardt på startbryteren uten å trykke inn AV-sperreknappen. Dette kan få bryteren til å brette.

For å unngå at startbryteren trykkes inn ved en feiltakelse, er maskinen utstyrt med en AV-sperreknapp. Start verktøyet ved å skyve låsespaken mot venstre, trykke inn AV-sperreknappen og dra i bryterspaken. Slipp bryterspaken for å stoppe sagen.

Bryter for bordsagmodus

⚠FORSIKTIG:

- Før bruk må du forsikre deg om at sagen er slått på og av.

Trykk på "PÅ (I)"-knappen for å starte sagen. Stopp det ved å trykke på OFF (O)-knappen.

Justere skjæredybden

Fig.15

Skjæredybden kan justeres ved å dreie på dybdejusteringsknotten. Drei dybdejusteringsknotten med klokken for å heve bladet eller mot klokken for å senke det.

⚠ADVARSEL:

- Bruk en overflatisk dybdeinnstilling når du sager i tynne materialer for å få et renere kutt.

⚠FORSIKTIG:

- Anslagsstiften kan ikke dreies når saghodet er i helt senket posisjon. På dette tidspunktet dreier du knotten litt mot klokken slik at anslagsstiften kan frigjøres.

Fig.16

Overlastvern

- Kun verktøy for strømforsyning på 200 V eller over. Se typeskiltet på verktøyet angående nominell spenning.
- Når belastningen på verktøyet overstiger tillatte nivåer, reduseres pådraget på motoren for å unngå overoppheting. Når belastningen er nede på tillatte nivåer igjen, vil verktøyet fungere som vanlig.

MONTERING

⚠FORSIKTIG:

- Forviss deg alltid om at maskinen er slått av og støpselet trukket ut av kontakten før du utfører noe arbeid på maskinen.

Oppbevare sekskantnøkkel

Fig.17

Sekskantnøkkel oppbevares som vist i figuren. Ved bruk av sekskantnøkkel trekkes den ut av nøkkelholderen. Etter bruk av sekskantnøkkel settes den tilbake i nøkkelholderen.

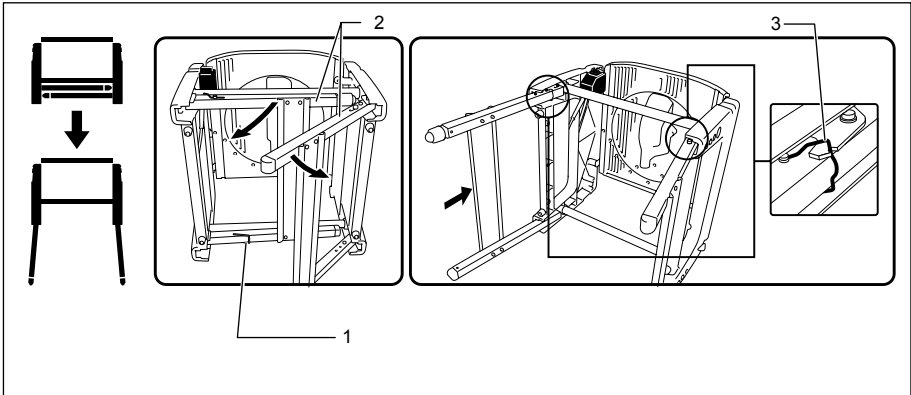
Bordhøyde, to innstillinger

Bordhøyden kan stilles inn på to måter - høyt eller lavt bord.

⚠ADVARSEL:

- Før du feller ned sagen bakover, må du sette sagen i gjærsagmodus og låse saghodet i laveste posisjon.

1. Sette opp med høyt bord



1. Bøyle
2. Ben
3. Stopperbøyle

006043

For å stille opp sagen med høyt bord, går du frem på følgende måte.

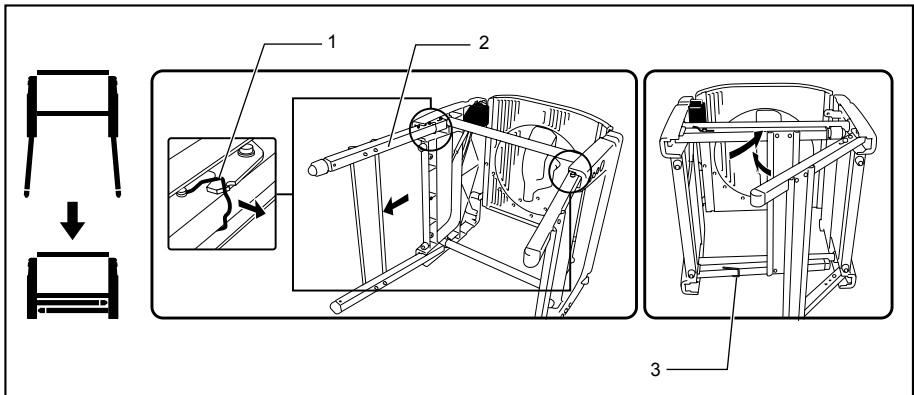
- (1) Fell ned sagen forsiktig **BAKOVER** uten stopp mens du holder den med begge hender.
- (2) Drei kroken i pilretningen i figuren for å frigjøre føttene. Åpne bordføttene på en side, og skyv underskyveren på føttene helt frem slik at de låses av seg selv. Gå frem på samme måte

for føttene på motsatt side. Forsikre deg om at føttene på begge sider er helt låst.

⚠ ADVARSEL:

- Pass på at stopperkrokene er plassert perfekt i sporet på konsollen.
- (3) Sett sagen tilbake i oppreist stilling.

2. Sette opp med lavt bord



1. Stopperbøyle
2. Ben
3. Bøyle

006044

Føttene kan foldes sammen som vist i figuren. Gå frem på følgende måte for å foldes sammen sagen.

- (1) Fell ned sagen forsiktig **BAKOVER** uten stopp mens du holder den med begge hender.

- (2) Dra først opp stopperen på det venstre fotleddet mot deg for å frigjøre den.
- (3) Gjør det samme for føttene på motsatt side.
- (4) Bruk en krok til å bunte sammen føttene.
- (5) Sett sagen tilbake i oppreist stilling.

Montere eller demontere sagblad

⚠FORSIKTIG:

- Forviss deg alltid om at maskinen er slått av og støpselet trukket ut av kontakten før du monterer eller demonterer bladet.
- Bruk kun Makita-nøkkelen til å montere eller demontere bladet. Hvis du ikke gjør det, kan det føre til overstrømming eller utilstrekkelig strømming av sekskantbolten. Det kan forårsake skader.

Hev håndtaket så langt det går.

Trykk på spindellåsen for å låse spindelen og bruk sekskantnøkkelen til å løsne sekskantbolten (med urviseren).

Fig.18

Løft bladvernet A med løftespaken mens du skyver spaken ved håndtaket mot venstre. Med bladvernet A løftet fjerner du sekskantbolten, ytterflensen og bladet.

Fig.19

Når du skal sette på bladet, setter du det forsiktig på spindelen og forsikrer deg om at retningen på pilen på bladets overflate, stemmer med retningen på pilen på bladdekslet. Sett på den ytre flensen og sekskantbolten. Bruk deretter nøkkelen til å trekke bolten (venstre) godt til mot urviseren mens du trykker på spindellåsen.

Fig.20

Fig.21

MERK:

- Når du monterer et sagblad, må du forsikre deg om at du setter det inn mellom bladvern B først og deretter hever det slik at bladet til slutt plasseres i bladvern B.

Fig.22

⚠FORSIKTIG:

- Ringen på 25,4 mm eller 30 mm i ytre diameter er fabrikkmontert på spindelen. Før du setter bladet på spindelen, må du forsikre deg om at det er riktig ring for akselhullet på bladet du skal bruke, som er montert på spindelen.

Sett det nedre bladvernet A tilbake til utgangsposisjon. Senk hendelen for å sørge for at de nedre bladvernene beveger seg som de skal. Forsikre deg om at spindellåsen har frigjort spindelen før du sager.

Justere kløyvekniv

Fig.23

Det må være en klaring på ca 5-6 mm mellom kløyvekniven og sagtennene når man skyver kløyvekniven fullt mot bladet. Juster kløyvekniven tilsvarende ved først å løsne klemmutteren for hånd mot urviseren og deretter løsne sekskantbolten mot urviseren med sekskantnøkkelen og måle avstanden. Etter justering strammes sekskantbolten godt og deretter klemmutteren med urviseren. Kontroller alltid at kløyvekniven er godt festet og at vernet på toppen av bladet fungerer problemfritt før skjæring.

Fig.24

Kløyvekniven ble installert før sagen ble sendt fra fabrikk, slik at bladet og kløyvekniven er i en rett linje etter det enkle oppsettet. Mer informasjon om montering finner du i avsnittet "Flytte kløyvekniv".

Fig.25

⚠FORSIKTIG:

- Hvis bladet og kløyvekniven ikke er godt nok rettet inn, kan det oppstå en farlig klemtilstand under drift. Pass på at kløyvekniven er plassert mellom de to ytterendene på sagbladetennene når du ser den ovenfra. Du kan påføre deg alvorlige skader hvis du bruker sagen uten at kløyvekniven er godt nok tilpasset. Hvis de ikke er tilpasset av en eller annen grunn, må du alltid få dem reparert av et Makita servicesenter.
- Ved justering av kløyveknivklaringen fra sagtennene må alltid sekskantbolten først løsnes etter at klemmutteren er løsnet.

Montere og justere parallellanlegg

Fig.26

1. Monter parallellanlegget på bordet slik at holderen kommer i kontakt med styreskinnen. Stram klemskruen (B) på parallellanlegget godt med klokken.
 2. Løsne klemskruen (A).
 3. Skyv parallellanlegget og sikre det, slik at den enden som er lengst borte fra deg tilpasses til punktet hvor forkanten av sagbladet bare ses fra oversiden av arbeidsemnet. Hensikten med denne justeringen er å redusere risikoen for tilbakeslag mot brukeren, dvs. at biter av arbeidsemnet kommer i klem mellom sagbladet og parallellanlegget og til slutt skyves ut mot brukeren. Linjen (A) varierer med tykkelsen på arbeidsemnet eller bordnivået. Juster parallellanleggets posisjon i henhold til tykkelsen på arbeidsemnet.
- Når du har justert parallellanlegget, må du stramme klemskruen (A) godt.

Fig.27

MERK:

- Det er fire mønster for å plassere parallellanlegget som vist i figuren. Parallellanlegget har to snitt på sidene; et snitt med en hevet kant i nærheten på samme side og det andre uten. Bruk overflaten på parallellanlegget med denne kanten mot arbeidsemnet bare når du skjærer inn i et stykke tynt arbeidsemne.

Fig.28

MERK:

- For å endre mønsteret for parallellanlegget, må du ta ut anlegget fra holderen ved å løsne klemskruen (A) og endre anleggets retning i forhold til holderen

slik at det vender mot parallellanleggsholderen i henhold til arbeidet ditt (se figuren).

Sett firkantmutteren på parallellanleggsholderen inn på bakenden av hvert snitt i anlegget slik at de sitter som vist i figuren.

For å endre fra mønster A eller B til mønster C eller D eller motsatt, må du fjerne firkantmutteren og klemskruen (A) fra parallellanleggsholderen og plassere klemskruen (A) og firkantmutteren i motsatt posisjon på holderen i forhold til utgangsposisjonen. Stram klemskruen (A) godt etter at du har satt inn firkantmutteren på parallellanleggsholderen inn i snittet.

Sett firkantmutteren på parallellanleggsholderen inn på bakenden av hvert snitt i anlegget slik at de sitter som vist i figuren.

Fig.29

Parallellanlegget er fabrikkjustert slik at det er parallelt med bladets overflate. Forsikre deg om at det er parallelt. For forsikre deg om at parallellanlegget er parallelt med bladet, må du justere bladhøyden med dybdejusteringsknotten slik at bladet vises i øverste posisjon fra bordet. Merk en av tennene med en fargestift. Mål avstanden (A) og (B) mellom parallellanlegget og bladet. Ta begge målene ved hjelp av tannen som er merket med fargestift. Disse to målene skal være identiske. Gå frem på følgende måte hvis parallellanlegget ikke er parallelt med bladet:

Fig.30

- (1) Drei justeringsskruen mot klokken.

Fig.31

Fig.32

- (2) Snu forkanten på parallellanlegget litt mot høyre eller venstre til det ligger parallelt med bladet.
- (3) Stram justeringsskruen på parallellanlegget godt.

⚠FORSIKTIG:

- Pass på at du justerer parallellanlegget slik at det er parallelt med bladet, ellers kan det oppstå en farlig tilbakeslagssituasjon.
- Juster parallellanlegget slik at det ikke berører det øvre bladvernet eller sagbladet.
- Ikke flytt eller bær sagen i parallellanlegget.
- Du kan skade anlegget eller forårsake funksjonsfeil hvis du hever det monterte parallellanlegget eller bruker kraft på høyre og venstre side med hendene når du tar tak i toppenden.

Montere og justere gjæringsmåler

Fig.33

Monter gjæringsmåleren ved å sette inn spindelen i en av to spor i bordet forfra. Gjæringsmålanlegget som også brukes som parallellanlegg kan monteres på gjæringsmåleren i henhold til det arbeidet du skal utføre.

Støvpose

Fig.34

Bruk av støvposer gjør skjærearbeider rene og letter støvoppsamlingen. Fest støvposen på støvutløpet.

Når støvposten er omtrent halvfull, må du ta den av maskinen og trekke ut festemekanismen. Tøm støvposen for innhold, og bank lett på den for å fjerne partikler som fester seg til innsiden og kan hemme ytterligere oppsamling.

Fig.35

Hvis du kobler en støvsuger til sagen, kan rengjøringen utføres på en mer effektiv og ryddig måte.

Fig.36

Albu

Fig.37

⚠FORSIKTIG:

- Rett tømmeåpningen på albuen i den retningen hvor eksosen og flisene ikke flyr ut mot sagen og personer rundt den.

Fest albuen når du endrer retning på støvtømmingen.

Sikre arbeidsemne

⚠ADVARSEL:

- Det er ekstremt viktig at du alltid sikrer arbeidsemnet godt og stramt med skrustikken. Gjør du ikke det, kan du skade sagen og/eller arbeidsemnet kan ødelegges. DET KAN OGSÅ OPPSTÅ PERSONSKADER. Etter saging må du IKKE heve bladet før det har stoppet helt.

Tilleggsanlegg

Fig.38

Tilleggsanlegget kan installeres på føringsflaten. Når du sager skrått mot venstre eller sager som bordsag (benkmodus), fjerner du tilleggsanlegget.

⚠FORSIKTIG:

- Når du sager skrått mot venstre eller sager som bordsag (benkmodus), fjerner du tilleggsanlegget. Ellers kommer det i berøring med bladet eller en del av verktøyet, noe som kan forårsake alvorlig skade på brukeren.

Vertikal skrustikke

Fig.39

Den vertikale skrustikken kan monteres i to posisjoner på venstre eller høyre side av føringsflaten. Sett inn skrustikkestangen i hullet i føringsflaten og stram klemskruen for å sikre stangen.

Plasser skrustikkearmen i henhold til arbeidsemnets tykkelse og form og sikre armen ved å stramme klemskruen. Hvis skruen for sikring av skrustikkearmen berører føringsflaten, må du montere klemskruen på motsatt side av armen. Pass på at ingen deler av sagen er i berøring med skrustikken når du senker hendelen

helt ned. Hvis noen deler berører skrustikken, må du flytte den.

Trykk arbeidsemnet mot føringsflaten og dreiebordet. Plasser arbeidsemnet i ønsket skjæreposisjon og sikre det godt ved å stramme skrustikkeknotten.

⚠FORSIKTIG:

- Arbeidsemnet må sikres godt mot dreiebordet og føringsflaten.

Sette opp sagen i bordsagmodus

⚠FORSIKTIG:

- Før du bruker bordsagmodus, må du passe på at dreiebordet er sikret i 0° gjæringsvinkel på føringsflaten med klemskruen.
- Før du bruker sagen i bordsagmodus, må du forsikre deg om at verktøyhodet er sikret med spaken.
- Før du bruker sagen i bordsagmodus, må du sørge for at kløyvekniven er låst ordentlig på plass.
- Før du bruker sagen i bordsagmodus, må du fjerne nedre bladvern C.
- I bordsagmodus må du frigjøre nedre grenseanslag.

Når sagen sendes fra fabrikk er den innstilt på gjæringsmodus. Før du bruker sagen i bordsagmodus, må du endre oppsettet og følge fremgangsmåten under.

1. Sikre dreiebordet

Fig.40

Før å sikre dreiebordet, må du stramme klemskruen godt på føringsflaten i 0° gjæringsvinkel.

2. Sikre verktøyhodet

Fig.41

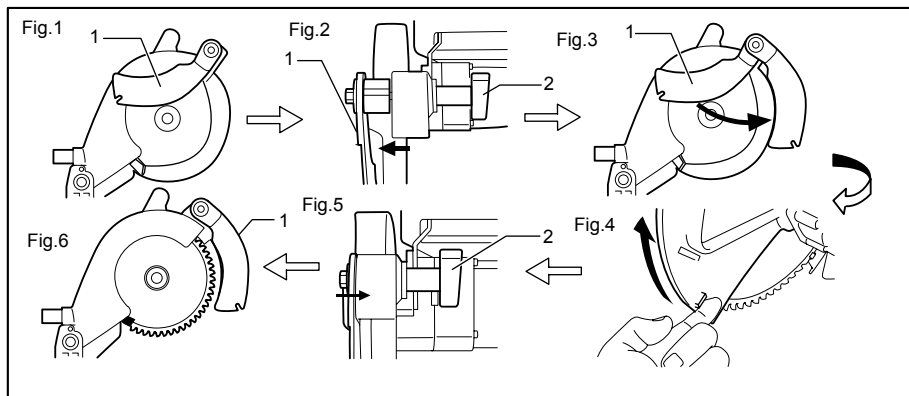
Sikre verktøyhodet ved å stramme spaken i pilretningen som vist i figuren.

3. Frigjøre nedre grenseanslag

Fig.42

Forsikre deg om at enden på nedre grenseanslag er i A-posisjonen i figuren. Drei enden på nedre grenseanslag mot klokken til A-posisjon når den er plassert i B-posisjon.

4. Flytte kløyvekniven



1. Kløyvekniv
2. Klemmutter

006068

Posisjonen (fig. 1) må endres på følgende måte.

- (1) Løsne klemmutteren (fig. 2).
- (2) Dra og dreii kløyvekniven til i posisjon i en vinkel på 90° i pilretningen (fig. 3). Skyv den lett slik at den holder seg i ro i denne posisjonen.
- (3) Hev nedre bladvern A helt for hånd med tappen mens du skyver spaken ved hendelen mot venstre, og frigjør spaken ved hendelen (fig. 4).
- (4) Skyv kløyvekniven i pilretningen (se fig. 5) slik at den tilpasses til sagbladet.

- (5) Når du har skjøvet kløyvekniven i pilretningen som vist i figuren, må du frigjøre nedre bladvern A.

- (6) Etter at du har tilpasset kløyvekniven, må du stramme klemmutteren godt (se fig. 5).

5. Demontere nedre bladvern C

Fig.43

Demonter nedre bladvern C fra bordet ved å løsne klemskruen.

6. Låse verktøyhodet i helt senket posisjon

Fig.44

Fig.45

Når du har stilt inn kløyvekniven i posisjon for bordsagmodus, må du dra stopperen i pilretning A og dreie den til 90°-vinkel i pilretning B med stopperen dratt inn. Senk hendelen for å låse verktøyhodet.

⚠FORSIKTIG:

- Når verktøyhodet ikke kan låses i helt senket posisjon, må du dreie dybdejusteringsknotten ved å dreie den flere ganger med klokken.
- Før du snur sagen, må du alltid sørge for at anslagsstiften er gått sikkert i lås i verktøyhodet i laveste posisjon.

7. Snu sagen

⚠ADVARSEL:

- Pass på at sagen er slått av og stikkkontakten er dratt ut før du snur den.
- Når du skyver ned spaken, må du passe på å holde hendene/fingrene dine unna spaken og festeområdet på bordet.

Fig.46

Hold midtkanten på bordet med en hånd, og skyv spaken ned med den andre hånden mens du holder bordkanten og dreier bordet forsiktig for å snu det. Hold den til den går bordet går i lås.

8. Montere øvre bladvern

Fig.47

Skyv knappen på øvre bladvern til siden, plasser den i sporet i kløyvekniven med knappen trykket og slipp knappen.

Når du har sluppet knappen, må du passe på at øvre bladvern er sikret ved å prøve å dra det ut.

⚠FORSIKTIG:

- Når du har montert øvre bladvern, må du forsikre deg om at det fungerer som det skal.

Sette opp sagen i gjærsagmodus

⚠ADVARSEL:

- Sørg for å montere nedre bladvern C før du bruker sagen i gjærsagmodus.

For å endre innstillingen fra bordsagmodus til gjærsagmodus, må du gå frem på samme måte som i avsnittet "Sette opp sagen i bordsagmodus" i motsatt rekkefølge.

1. Demontere øvre bladvern

Skyv knappen på øvre bladvern til siden og ta bladvernet opp og ut mens knappen er trykket.

2. Montere nedre bladvern C

Plasser nedre bladvern C på bordet slik at det passer inn i sporet, og stram klemskruen godt.

3. Snu sagen

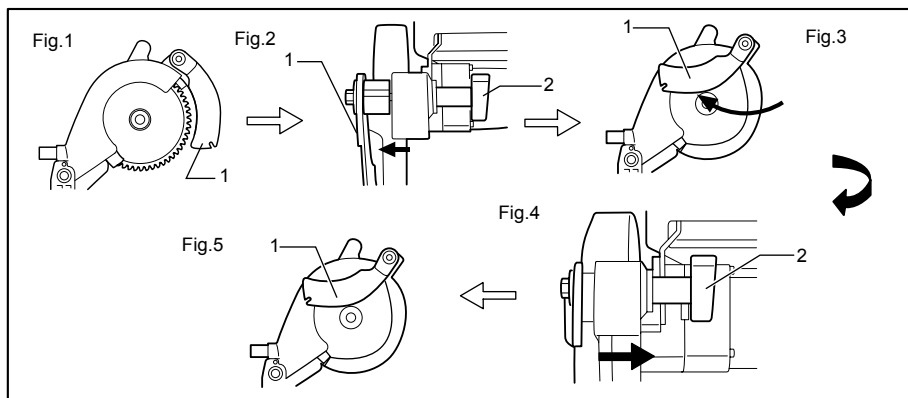
Se forklaringen under likelydende overskrift i avsnittet "Sette opp sagen i bordsagmodus".

4. Frigjøre verktøyhodet fra helt senket posisjon

Fig.48

Hold hendelen og dra anslagsstiften i pilretning A, dreie den til 90° vinkel i pilretning B med anslagsstiften trukket og hev hendelen forsiktig.

5. Flytte kløyvekniven



- 1. Kløyvekniv
- 2. Klemmutter

006075

Kløyveknivens posisjon (fig. 1) må endres på følgende måte.

- (1) Løsne klemmutteren og hold nedre bladvern A for hånd i tappen (fig. 2).
- (2) Mens du holder nedre bladvern A, drar du kløyvekniven slik at den snur, og dreier den i pilretningen (fig. 3).
- (3) Med kløyvekniven i denne posisjonen, setter du nedre bladvern A tilbake i utgangsposisjon og strammer klemmutteren godt (fig. 4, 5).

BRUK

⚠FORSIKTIG:

- Før bruk må du frigjøre hendelen fra senket posisjon ved å dra i anslagsstiften og dreie den til 90° vinkel.
- Forviss deg om at bladet ikke har kontakt med arbeidsstykket osv. før startbryteren slås på.

SAGING SOM GJÆRINGSSAG

⚠ADVARSEL:

- Pass på at nedre bladvern C monteres før du bruker sagen i gjæringsmodus.

⚠FORSIKTIG:

- Ikke legg stort trykk på hendelen når du sager. For mye kraft kan føre til at motoren overbelastes og/eller at sageeffekten reduseres. Skyv ned hendelen med den kraften som trengs for jevn saging og uten merkbar reduksjon i bladets hastighet.
- Trykk hendelen forsiktig ned for å gjennomføre kuttet. Hvis håndtaket trykkes ned med makt eller det brukes sidekraft, vil bladet vibrere og lage et merke (sagmerke) i arbeidsemnet. Dette ødelegger presisjonen i kuttet.

1. Trykksaging

Fig.49

Fest arbeidsemnet mot føringsflaten og dreiebordet. Slå på sagen uten at bladet er i kontakt med noe, og vent til bladet oppnår full hastighet før du senker. Senk hendelen forsiktig til helt senket posisjon for å sage arbeidsemnet. Når kuttet er ferdig, må du slå av sagen og VENTE TIL BLADET HAR STOPPET HELT før du hever det helt igjen.

2. Gjæringsaging

Se avsnittet "Justere gjæringsvinkelen".

3. Skråskjæring

Fig.50

Løsne spaken og vipp sagbladet for å stille inn skråvinkelen (se avsnittet "Justere skråvinkelen"). Stram spaken godt igjen for å sikre skråvinkelen du har valgt. Fest arbeidsemnet mot føringsflaten og

dreiebordet. Skru på verktøyet uten at bladet er i kontakt med noe, og vent til bladet når full hastighet. Senk hendelen forsiktig til helt senket posisjon mens du trykker parallelt med bladet. Når kuttet er ferdig, må du slå av sagen og VENTE TIL BLADET HAR STOPPET HELT før du hever det helt igjen.

⚠FORSIKTIG:

- Du må alltid være sikker på at bladet går ned til skråretningen under skråsaging. Hold hendene bort fra sagbladbanen.
- Ved skråskjæring kan det oppstå en tilstand hvor delen som er saget av hviler mot siden av bladet. Hvis bladet heves mens det fremdeles roterer, kan denne delen sette seg fast i bladet og forårsake at fragmenter strøs rundt. Dette er svært farlig. Bladet skal BARE heves når det har stoppet helt.
- Når du trykker hendelen ned, må du utøve trykk parallelt med bladet. Hvis trykket ikke er parallelt med bladet under skjæring, kan vinkelen på bladet endre seg og skjærepresisjonen påvirkes negativt.
- Fjern alltid tilleggsanlegget når du sager skrått mot venstre.

4. Lamellsaging

Lamellsaging er prosessen hvor en skråvinkel lages samtidig som en gjæringsvinkel sages på et arbeidsemne. Lamellsaging kan utføres i vinkler som vises i tabellen.

Skjæringsvinkel	Gjæringsvinkel
45°	Venstre og høyre 0° - 45°

006366

Når du utfører kombisaging, finner du forklaringer i "Pressaging", "Gjæringsaging" og "Skråskjæring".

5. Sage aluminiumsekstruderer

Fig.51

Når du sikrer aluminiumsekstruderer, må du bruke avstandsklosser eller biter av kapp som vist i figuren for å forhindre at aluminiumen deformeres. Bruk en skjærevæske når du sager aluminiumsekstruderer for å forhindre at det legger seg aluminiumsstøv på bladet.

⚠FORSIKTIG:

- Prøv aldri å skjære tykke eller runde aluminiumsekstruderer. Tykke aluminiumsekstruderer kan løsne under saging og runde kan ikke sikres godt nok med denne sagen.
- Sag aldri aluminium i bordsagmodus (benkemodus).

SAGING SOM BORDSAG (BENKMODUS)

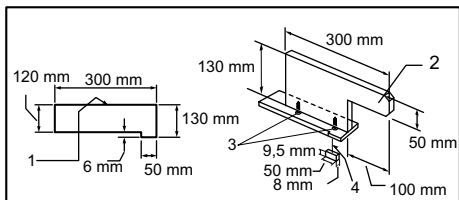
⚠FORSIKTIG:

- Bruk alltid hjelpemidler som f.eks. støtstenger og -blokker hvis det er fare for at hendene eller fingrene dine kan komme nær sagbladet.
- Arbeidsemnet må alltid holdes fast med bordet og parallellanlegget. Ikke bøy eller vri det mens du mater. Hvis arbeidsemnet er bøyd eller vridd, kan det oppstå farlige tilbakeslag.
- Du må ALDRI ta ut arbeidsemnet mens bladet roterer. Hvis du må ta ut arbeidsemnet før kuttet er fullført, må du først slå av sagen mens du holder arbeidsemnet godt fast. Vent til bladet har stoppet helt før du tar ut arbeidsemnet. Hvis du ikke retter deg etter dette, kan det oppstå farlige tilbakeslag.
- Du må ALDRI fjerne avskjær mens bladet går.
- Plasser ALDRI hendene eller fingrene dine i sagbladbanen.
- Sikre alltid parallellanlegget godt, ellers kan det oppstå farlige tilbakeslag.
- Bruk alltid hjelpemidler som støtstenger og -blokker når du sager små eller smale arbeidsemner, eller når du ikke ser mens du sager.
- Når du sager som bordsag (benkmodus), fjerner du tilleggsanlegget.

Hjelpemidler

Støtstenger, støtblokker eller hjelpeanlegg er forskjellige hjelpemidler. Bruk disse til å lage sikre kutt slik at operatøren ikke må komme i berøring med bladet med noen del av kroppen.

Støtblokk



1. Vendt mot/kant parallell
2. Håndtak
3. Treskrue
4. Fø sammen

006080

Bruk en 19 mm finerbit.

Hendelen må være midt på finerbiten. Fest den med lim og treskrue som vist. Det må alltid limes en liten bit tre på 9,5 mm x 8 mm x 50 mm til fineren for å forhindre at bladet sløves hvis operatøren skjærer inn i støtblokken ved en feiltakelse. (Bruk aldri spiker i støtblokken.)

Hjelpeanlegg

Fig.52

Lag et hjelpeanlegg av 9,5 mm og 19 mm finerbiter.

Kløyving

⚠FORSIKTIG:

- Når du kløyver, må du demontere gjæringsmåleren fra bordet.
 - Når du sager lange eller store arbeidsemner, må du alltid støtte dem godt bak bordet. Et langt arbeidsemne må IKKE bevege seg eller flytte seg på bordet. Dette vil gjøre at bladet setter seg fast og øke sjansen for tilbakeslag og personskader. Støtten må være i samme høyde som bordet.
1. Juster dybden på kuttet litt høyere enn tykkelsen på arbeidsemnet. For å foreta denne justeringen, se avsnittet "Justere skjæredybden".
 2. Plasser parallellanlaget i på ønsket bredde og fest det på plass ved å stramme klemskruen (A). Før du kløyver, må du passe på at de to skruene på parallellanslagsholderen er festet. Er de ikke festet godt nok, må du stramme dem.
 3. Snu sagen og mat arbeidsemnet forsiktig inn til bladet sammen med parallellanlegget.
 - (1) Når bredden er 150 mm og bredere, må du bruke en hånd forsiktig for å mate arbeidsemnet. Bruk den andre hånden til å holde arbeidsemnet i posisjon mot parallellanlaget.

Fig.53

- (2) Når bredden er 65 mm - 150 mm bred, må du bruke støtstangen til å mate arbeidsemnet.

Fig.54

- (3) Når bredden på kløyven er smalere enn 65 mm, kan ikke støtstangen brukes fordi at den vil slå borti bladvernet. Bruk hjelpeanslaget og støtblokken. Fest hjelpeanslaget på parallellanlaget med to "C"-klemmer.

Fig.55

Mat arbeidsemnet for hånd til enden er ca. 25 mm fra forkanten av toppbordet. Fortsett å mate ved hjelp av støtblokken på toppen av hjelpeanslaget til kuttet er fullført.

Fig.56

Kapping

⚠FORSIKTIG:

- Når du kapper, må du fjerne parallellanlegget fra bordet.
- Når du sager lange eller store arbeidsemner, må du alltid støtte dem godt mot sidene av bordet. Støtten må være i samme høyde som bordet.
- Hendene må alltid holdes borte fra sagbladets bane.

Gjæringsmåler

Bruk gjæringsmåleren for de 4 sagemetodene vises i figuren.

Fig.57

⚠FORSIKTIG:

- Fest knotten forsiktig på gjæringsmåleren.
- Unngå at arbeidsemnet og måleren kryper ved å passe på at de er godt festet, spesielt når du sager i vinkel.
- Du må ALDRI holde i eller gripe den avskårne delen av arbeidsstykket.

Bruke gjæringsmåler

Fig.58

Skyv gjæringsmåleren inn i de brede sporene i bordet. Løsne knotten på måleren og sett den til ønsket vinkel (0° til 60°). Legg materialet jevnt inntil anlegget og mat forsiktig inn mot bladet.

Hjelpegjæringskloss (gjæringsmåler)

Fig.59

For å unngå at en lang plate begynner å vibrere, må du utstyre gjæringsmåleren med en hjelpeanleggsplate. Fest det med skruer/muttere etter at du har boret hull, men festemidlene må ikke stikke ut fra bordet.

Bærbart verktøy

Fig.60

Sørg for at sagen er koblet fra. Hvis sagen bare brukes i gjæringsmodus, må du sikre bladet på 0° skjæringsvinkel og dreie bordet i 0° gjæringsvinkel. Senk hendelen helt og lås den i senket posisjon ved å skyve anslagsstiften helt inn.

Bær sagen som vist i figuren.

Fig.61

⚠FORSIKTIG:

- Du må alltid sikre alle bevegelige deler før du bærer sagen.
- Før du bærer sagen, må du alltid stille den inn på gjæringsmodus.
- Forsikre deg om at nedre bladvern C er montert på sagen.

VEDLIKEHOLD

⚠FORSIKTIG:

- Forviss deg alltid om at maskinen er slått av og støpselet trukket ut av kontakten før du foretar inspeksjon eller vedlikehold.
- Aldri bruk gasolin, bensin, tynner alkohol eller lignende. Det kan føre til misfarging, deformering eller sprekkdannelse.

⚠ADVARSEL:

- Du må alltid sørge for at bladet er slipt og rent for best og sikrest mulig ytelse.

Justere skjærevinkelen

Denne sagen er nøye justert og tilpasset ved fabrikk, men tøff bruk kan ha påvirket tilpasningen. Hvis sagen din ikke er godt nok tilpasset, må du gjennomføre følgende:

1. Gjæringsvinkel

Fig.62

Det er plassert gjæringsvinkel 0°-justeringsskruer på fire steder.

Løsne gjæringsvinkel 0°-justeringsskruer fra undersiden av bordet ved å dreie dem mot klokken. Senk hendelen helt og lås den i senket posisjon ved å dra og rotere anslagsstiften med klokken til 90° vinkel. Bring sidene på bladet i rett vinkel med fronten på føringsflaten med en trekantlinjal, et vinkeljern osv. Stram så de fire justeringsskruene på tilleggsarmen fra undersiden av bordet. Sørg for at pekeren viser til 0° på gjæringskalaen. Gjør den ikke det, må du justere pekerposisjonen ved å løsne skruen som fester pekeren. Stram skruen etter at pekeren er justert.

Fig.63

2. Skjæringsvinkel

Fig.64

- (1) 0° skjæringsvinkel
Senk hendelen helt og lås den i senket posisjon ved å dra og rotere anslagsstiften med klokken til 90° vinkel. Løsne spaken bak på sagen.
Fra undersiden av bordet dreier du justeringsskruen for 0°-skjæringsvinkel på høyre side av tilleggsarmen to eller tre runder mot klokken for å vippe bladet mot høyre.
Bring sidene på bladet forsiktig i rett vinkel med oversiden av dreiebordet med en trekantlinjal, et vinkeljern e.l. ved å dreie justeringsskruen for 0° skjæringsvinkel med klokken.

Fig.65

Forsikre deg om at pekeren på dreiebordet viser til 0° på skjæringskalaen på armen. Hvis den ikke viser til 0°, må du løsne skruen som fester pekeren og justere pekeren slik at den viser til 0°.

Fig.66

- (2) 45° skjæringsvinkel
Juster 45°-skjæringsvinkelen bare etter at du har utført en 0° skjæringsvinkeljustering. For å justere venstre 45° skjæringsvinkel, må du løsne spaken og vippe bladet helt mot venstre. Forsikre deg om at pekeren på armen viser til 45° på skjæringskalaen på armholderen. Hvis pekeren ikke viser til 45°, må du dreie justeringsskruen for 45°

skjæringsvinkel på høyre side av tilleggsarmen til pekerne viser til 45° (fra undersiden av bordet).

Skifte kullbørster

Fig.67

Fjern og kontroller kullbørstene med jevne mellomrom. Skift dem når de er slitt ned til utskiftingsmerket. Hold kullbørstene rene og fri til å bevege seg i holderne. Begge kullbørstene må skiftes samtidig. Bruk bare identiske kullbørster.

Bruk en skrutrekker til å fjerne børsteholderhettene. Ta ut de slitte kullbørstene, sett i nye, og fest børsteholderhettene.

Fig.68

Etter bruk

- Etter bruk, må du tørke av fliser og støv som kleber til sagen med en klut eller lignende for å sikre maksimal levetid. Hold bladvernene rene i henhold til instruksjonene i avsnittet "Bladvern". Smør glidedelene med maskinolje for å hindre at maskinen ruster.

For å opprettholde produktets SIKKERHET og PÅLITELIGHET, må reparasjoner, vedlikehold og justeringer utføres av Makitas autoriserte servicesentre, og det må alltid brukes reservedeler fra Makita.

VALGFRITT TILBEHØR

⚠FORSIKTIG:

- Det anbefales at du bruker dette tilbehøret eller verktøyet sammen med den Makita-maskinen som er spesifisert i denne håndboken. Bruk av annet tilbehør eller verktøy kan forårsake helseskader. Tilbehør og verktøy må kun brukes til det formålet det er beregnet på.

Ta kontakt med ditt lokale Makita-servicesenter hvis du trenger mer informasjon om dette tilbehøret.

- Sagblad med stål- og karbidspisser
- Vertikal skrustikke
- Sekskantnøkkel 6
- Støvpose
- Trekantlinjal
- Støvdeksel (nedre bladvern C)
- Støtstang
- Linjalenhet (parallellanslag)
- Gjæringsmåler
- Festeplater (3 stk.)
- Sekskantskruer (3 stk.)
- Albu
- Toppdekselenhet (øvre bladvern)

MERK:

- Enkelte elementer i listen kan være inkludert som standardtilbehør i verktøypakken. Elementene kan variere fra land til land.

SUOMI (alkuperäiset ohjeet)

Yleiselostus

1-1. Säätömutteri	22-5. Kara	42-1. Alavaste
1-2. Jalka	22-6. Rengas	42-2. Säätöpultti
2-1. Kuusiopultti	23-1. Kiristysmutteri	43-1. Kiristysruuvi
2-2. Kiinnityslevy	23-2. Kuusiokoloruuvi	44-1. Rajoitintappi
3-1. U:n muotoiset urat	23-3. Jakoveitsi	45-1. Sahan kärki lukittuna alimpaan asentoon
4-1. Terän alasuojus A	24-1. Jakoveitsi	46-1. Vipu
4-2. Terän alasuojus B	24-2. Sahanterä	46-2. Vivun alue, jolle käsi/sormi asetetaan
5-1. Terän alasuojus C (käytetään vain jiirisahauksessa)	25-1. Terän leveys	46-3. Tarttuvat osat
6-1. Painike	25-2. Jakoveitsi	47-1. Painike
6-2. Jakoveitsi	25-3. Kuusiokoloruuvi	47-2. Jakoveitsi
6-3. Terän yläsuojus (käytetään vain pöytäsaahasmuodolla)	26-1. Halkaisuhajaimen pidin	47-3. Terän yläsuojus (käytetään vain pöytäsaahasmuodolla)
7-1. Kääntöpöydän yläpinta	26-2. Ohjaukisko	48-1. Rajoitintappi
7-2. Terän reuna	26-3. Kiristysruuvi (A)	49-1. Ruuvipuristin (lisävaruste)
7-3. Ohjain	26-4. Kiristysruuvi (B)	50-1. Ruuvipuristin (lisävaruste)
8-1. Alavaste	26-5. Halkaisuhjain	51-1. Ruuvipuristin
8-2. Säätöpultti	27-1. Halkaisuhjain	51-2. Välike
8-3. Mutteri	27-2. Halkaisuhajaimen pidin	51-3. Ohjain
9-1. Kiristysruuvi	27-3. Linja, jonka mukaan tasataan: Linja (A)	51-4. Alumiininen puristetankko
9-2. Ohjain	27-4. Sahanterä	51-5. Välike
10-1. Kahva	27-5. Yläpöytä	52-1. Tasaa samansuuntaisesti
10-2. Kääntöpöytä	27-6. Työkappale	54-1. Työntöpuikko
11-1. Vipu	28-1. Halkaisuhjain	55-1. Apuohjain
12-1. Kahva	28-2. Halkaisuhajaimen pidin	56-1. Työntökappale
13-1. Vipu	28-3. Sahanterä	56-2. Apuohjain
13-2. Sahaussyvyyden säätönuppi	29-1. Halkaisuhjain	57-1. Katkaisu
14-1. Kytkin jiirisahausmuodolla	29-2. Halkaisuhajaimen pidin	57-2. Jiirisahaus
14-2. Kytkin pöytäsaahasmuodolla	29-3. Neliömäinen mutteri	57-3. Viistesahaus
14-3. Lukituksen vapautuskytkin	29-4. Kiristysruuvi (A)	57-4. Yhdistelmäjiirisahaus (kulmat)
14-4. Liipaisinkytkin	29-5. Kiristysruuvi (B)	58-1. Ura
14-5. Kahva	30-1. Asteikko	58-2. Jiiristeikko
14-6. Vipu	31-1. Halkaisuhjain	58-3. Nuppi
14-7. ON-painiketta	31-2. Halkaisuhajaimen pidin	60-1. Rajoitintappi
14-8. OFF-painiketta	31-3. Säätöruuvi	61-1. Koneen osa, johon tartutaan kannahtaessa
15-1. Sahaussyvyyden säätönuppi	32-1. Halkaisuhjain	63-1. Kolmikulma
16-1. Rajoitintappi	32-2. Sahanterä	63-2. Sahanterä
17-1. Kuusioavain	32-3. Terän yläsuojus	63-3. Ohjain
17-2. Hylsyn pidin	33-1. Jiiristeikon suojus	64-1. 0° säätöpultti
18-1. Kuusiokoloruuvi	33-2. Jiiristeikko	64-2. 45° säätöpultti
18-2. Kuusioavain	33-3. Urat	65-1. Kolmikulma
18-3. Karalukitus	34-1. Pölysuutin	65-2. Sahanterä
19-1. Vipu	34-2. Pölypussi	65-3. Kääntöpöydän yläpinta
19-2. Nostovipu	35-1. Pölypussi	66-1. Varsi
20-1. Sahanterä	35-2. Suljin	66-2. Viisteasteikko
20-2. Terän alasuojus B	37-1. Pölysuutin	66-3. Osoitin
21-1. Terän kotelo	37-2. Kulmakappale	66-4. Kääntöpöytä
21-2. Nuoli	39-1. Ruuvipuristimen nuppi	67-1. Rajamerkki
21-3. Sahanterä	39-2. Ruuvipuristimen tanko	68-1. Harjanpitimen kansi
21-4. Nuoli	39-3. Kiristysruuvi	68-2. Ruuvitaltta
22-1. Kuusiokoloruuvi	39-4. Ruuvipuristimen varsi	
22-2. Ulkolaippa	39-5. Ohjain	
22-3. Sahanterä	40-1. Kiristysruuvi	
22-4. Sisälaippa	40-2. Ohjain	
	41-1. Vipu	

TEKNISET TIEDOT

Malli	LF1000
Terän läpimitta	260 mm
Terän paksuus	1,8 mm - 2,0 mm
Jakoveitsen paksuus	2,2 mm
Reiän läpimitta	
Vain Euroopan mallit	30 mm
Suurin sahauskyky (K x L) 260 mm:n paksuisella terällä jiirisahaumuodolla	

Kallistuskulma	Jiirikulma	
		0°
0°	20 mm x 180 mm	
	68 mm x 155 mm	
45° (vasen)	50 mm x 150 mm	

Suurin sahauskyky 90° pöytäsaahalla (halkaisu)	70 mm
Nopeus kuormittamattomana (min ⁻¹)	2 700
Pöydän koko (L x P)	500 mm x 555 mm
Mitat (P x L x K1 (Huomaus 1) / K2 (Huomaus 2)) jiirisahaumuodolla	660 mm x 650 mm x 1 220 mm / 800 mm
pöytäsaahas	660 mm x 650 mm x 1 060 mm / 845 mm
Nettopaino	36 kg
Turvaluokitus	II

Huomaus 1 K1: Korkeus koneen päähän saakka

Huomaus 2 K2: Korkeus pöytään saakka

- Jatkuvan tutkimus- ja kehitysohjelman vuoksi pidämme oikeuden muuttaa tässä mainittuja teknisiä ominaisuuksia ilman ennakoilmoitusta.
- Tekniset ominaisuudet saattavat vaihdella eri maissa.
- Paino EPTA-menetelmän 01/2003 mukaan

END213-8

Symbolit

Laitteessa on käytetty seuraavia symboleja. Opettele näiden merkitys, ennen kuin käytät konetta.



- Katso käyttöohjeita.



- KAKSINKERTAINEN ERISTYS



- Pidä sahan pää sahauskeksen jälkeen alhaalla, kunnes saha on kokonaan pysähtynyt välttääksesi lentävien roskien aiheuttaman loukkaantumisen.



- Älä sijoita käsiä äläkä sormia terän lähelle.



- Poista turvallisuuden vuoksi lastut, pienet palaset yms. pöydältä ennen työskentelyä.



- Irrota kone pistorasiasta ennen kuin käännät sitä akselin ympäri.



- Aseta kädet oikein kantaessasi.



- Älä käännä ohjaimen yläosaa ylös, kun kiinnität tai irrotat sitä.



- Käännä pulttia myötäpäivään löysentääksesi sitä.



- Koskee vain EU-maita
Älä hävitä sähkötarvikkeita tavallisen kotitalousjätteen mukana!

Vanhoja sähkö- ja elektroniikkalaitteita koskevan EU-direktiivin ja sen maakohtaisten sovellusten mukaisesti käytetyt sähkötarvikkeet on toimitettava ongelmajätteen keräyspisteeseen ja ohjattava ympäristöystävälliseen kierrätykseen.

ENE061-1

Käyttötarkoitus

Kone on tarkoitettu puun tarkkaan suoraan ja jiirisahaukseen. Konetta voi käyttää sekä jiirisahaumuodolla että pöytäsaahasmuodolla kääntämällä pöydän akselinsa ympäri.

ENF002-2

Virtalähde

Laitteen saa kytkeä vain sellaiseen virtalähteeseen, jonka jännite on sama kuin arvokilvessä ilmoitettu, ja sitä saa käyttää ainoastaan yksivaiheisella vaihtovirralla. Laitte on kaksinkertaisesti suojaeristetty, ja se voidaan siten kytkeä myös maadoittamattomaan pistorasiaan.

Melutaso

Tyypillinen A-painotettu melutaso määräytyy EN61029-standardin mukaan:

Äänenpainetaso (L_{pA}): 91 dB (A)

Äänitehotaso (L_{WA}): 108 dB (A)

Virhemarginaali (K): 3 dB (A)

Käytä kuulosuojaimia

ENG900-1

Tärinä

Värähtelyn kokonaisarvo (kolmiakselivektorin summa) on määriteltä EN61029mukaan:

Tärinäpäästö (a_n): 2,5 m/s² tai vähemmän

Virhemarginaali (K): 1,5 m/s²

ENG901-1

- Ilmoitettu tärinäpäästöarvo on mitattu standarditestausten menetelmän mukaisesti, ja sen avulla voidaan vertailla työkaluja keskenään.
- Ilmoitettua tärinäpäästöarvoa voidaan käyttää myös altistumisen alustavaan arviointiin.

VAROITUS:

- Työkalun käytön aikana mitattu todellinen tärinäpäästöarvo voi poiketa ilmoitetusta tärinäpäästöarvosta työkalun käyttötavan mukaan.
- Selvitä käyttäjän suojaamiseksi tarvittavat varoitimet todellisissa käyttöolosuhteissa tapahtuvan arvioitun altistumisen mukaisesti (ottaen huomioon käyttöjakso kokonaisuudessaan, myös jaksot, joiden aikana työkalu on sammutettuna tai käy tyhjäkäynnillä).

ENH003-15

Koskee vain Euroopan maita**VAKUUTUS EC-VASTAAVUUDESTA**

Makita ilmoittaa, että seuraava(t) kone(et)

Koneen tunnistetiedot:

Kääntöpöytäsaaha

Mallinro/tyyppi: LF1000

Täyttävät seuraavien eurooppalaisten direktiivien vaatimukset:

2006/42/EC

On valmistettu seuraavien standardien tai standardoitujen asiakirjojen mukaisesti:

EN61029

Direktiivin 2006/42/EY mukaiset tekniset tiedot ovat saatavissa seuraavasta osoitteesta:

Makita, Jan-Baptist Vinkstraat 2, 3070, Belgium



000331

Yasushi Fukaya

Johtaja

Makita, Jan-Baptist Vinkstraat 2, 3070, Belgium

GEA010-1

Sähkötyökalujen käyttöä koskevat varoitukset

VAROITUS Lue kaikki turvallisuusvaroitukset ja käyttöohjeet. Varoitusten ja ohjeiden noudattamatta jättäminen voi johtaa sähköiskuun, tulipaloon ja/tai vakavaan vammautumiseen.

Säilytä varoitukset ja ohjeet tulevaa käyttöä varten.

ENB094-6

KÄÄNTÖPÖYTÄSAHAN TURVALLISUUSOHJEET

SEKÄ JIIRISAHAUS ETTÄ PÖYTÄSAHAUS (halkaisu)-TOIMINNOLLE:

- Tarkista ennen käyttöä huolellisesti, ettei terässä ole halkeamia tai vääntymiä. **Vaihda vaurioitunut terä heti.**
- Älä käytä sahaa ilman suojuksia ja halkaisuveistä. Varmista teränsuojusten sulkeutuminen ennen jokaista käyttökertaa. Älä käytä sahaa, jos teränsuojukset eivät liiku vapaasti ja sulkeudu heti. Älä koskaan kiristä tai sido teränsuojuksia auki-asentoon. Teränsuojusten epänormaali toiminta on korjattava korjata heti.
- Käytä vain valmistajan ilmoittamia sahanteriä, jotka ovat EN847-1-standardin mukaisia. Sahausran leveyden on oltava halkaisuveitsen paksuutta suurempi, ja terän on oltava halkaisuveistä ohuempi.
- Älä käytä pikateräksestä valmistettuja sahanteriä.
- Pidä silmänsuojuksia.
- Käytä kuulosuojaimia kuulovaurioriskin pienentämiseksi.
- Käytä suojakäsineitä, kun käsittelet sahanteriä (sahanterät tulee kuljettaa kotelossa aina, kun mahdollista) ja karkeapintaisia materiaaleja.
- Kytke kone pölynkeräimeen työskentelyn ajaksi.
- Varastoi työntöpuikko aina kun sitä ei käytetä.
- Pidä koneen ympärillä oleva lattia siistinä ja puhtaana irtokappaleista, kuten lastuista ja työkalupaleen paloista.

11. Käyttäjän tulee olla koulutettu koneella työskentelyyn, sen säätöihin ja käyttöön.
12. Kun poistut sahan luota, sammuta se ja irrota virtajohto.
13. Pidä terä aina terävänä ja puhtaana rajoittaaksesi melutasoa.
14. Käytä vain sahanteriä, joihin merkitty enimmäisnopeus on vähintään yhtä suuri kuin työkaluun merkitty nopeus kuormittamattomana.
15. Älä koskaan irrota leikattuja kappaleita tai muita osia työkappaleesta työkalun ollessa käynnissä siten, että sahanteri pyörii suojaamattomana.
16. Työkalua ei tule käyttää uritukseen, huullostamiseen tai koverrukseen.
17. Puhdista kara, laipat (etenkin asennuspinta) ja kuusiopultti varovasti niitä voittamatta ennen terän asentamista tai sen yhteydessä. Näiden osien vioittuminen voi aiheuttaa terän rikkoutumisen. Huono asennus voi aiheuttaa värinää/huojuntaa tai terän luistamisen. Käytä vain tälle työkalulle tarkoitettuja laippoja.
18. Käytä aina tässä ohjekirjassa suositeltuja varusteita. Väärien varusteiden, kuten hiomakatkaisulaikkojen käyttö voi aiheuttaa loukkaantumisen.
19. Valitse sahattavalle materiaalille sopiva sahanteri.
20. Älä sahaa metalliesineitä, kuten nauvoja tai ruuveja. Tarkasta työkappale ja poista kaikki naulat, ruuvit ja muut vierasesineet ennen työstöä.
21. Napauta irralliset oksankohdat työkappaleesta ENNEN sahausken aloittamista.
22. Älä käytä konetta syytyvien nesteiden tai kaasujen läheisyydessä.
23. Poista oman turvallisuutesi vuoksi lastut, pienet kappaleet yms. työskentelyalueelta ja pöydän päältä ennen koneen liittämistä pistorasiaan ja työskentelyn aloittamista.
24. Pidä kädet, itsesi ja sivulliset loitolla sahanterän kulkulinjalta ja sen kuvitellulta jatkeelta. Varo koskemasta tyhjäkäynnillä pyörivään terään. Se voi aiheuttaa vakavan loukkaantumisen. Älä koskaan kurota sahanterän ympäri.
25. Ole valppaana jatkuvasti etenkin toistuvien, yksitoikkoisten tehtävien aikana. Älä tuudittaudu väärään turvallisuuden tunteeseen. Terät eivät anna toista mahdollisuutta.
26. Varmista, että karalukko on avattu, ennen kuin virta kytketään päälle.
27. Anna koneen käydä hetki ennen sen käyttämistä työkappaleeseen. Tarkkaile konetta värinän ja huojunnan varalta, mikä voisi olla merkki huonosti asennetusta tai tasapainotetusta terästä.
28. Saha vastaa, kun terä on saavuttanut täyden nopeuden.
29. Älä poista irtisahattuja kappaleita äläkä muita työkappaleen osia sahausalueelta koneen käytössä ja sahan pään ollessa pois lepoasennosta.
30. Lopeta työskentely välittömästi, jos havaitset jotain tavallisesta poikkeavaa.
31. Sammuta kone ja odota, kunnes terä on pysähtynyt ennen kuin siirrät työkalua tai muut asetukset.
32. Irrota kone pistorasiasta ennen terän vaihtamista, huoltotoimia ja kun sitä ei käytetä.
33. Työskentelyssä syntyvä pöly voi sisältää syöpää, syntymävaurioita ja muita lisääntymishäiriöitä aiheuttavia kemikaleja. Esimerkkejä tällaisista kemikaaleista ovat:
 - lyijypohjaisilla maaleilla käsiteltyjen materiaalien sisältämä lyijy
 - kyllästetyn puun sisältämä arseeni ja kromi.
 Altistumisen aiheuttama riski riippuu tällaisen työn toistuvuudesta. Vähennä altistumista näille kemikaaleille seuraavasti: työskentele hyvin tuuletussa tilassa ja käytä hyväksytyjä suojavarusteita, kuten erityisesti mikroskoopipisten hiukkasten suodattamiseen suunniteltuja hengityssuojaimia.
34. Kun pöytä on käännetty ympäri varmista, että pöytä on tukevasti kiinnitetty vivulla.

KÄYTETTÄESSÄ JIRISAHANA:

35. Älä sahaa muuta kuin puuta, alumiinia tai vastaavia materiaaleja.
36. Älä suorita mitään toimenpiteitä vapaalla kädellä. Työkappale tulee kiinnittää asianmukaisesti kääntöalustaan ja ohjaimen puristimella kaikkien toimintojen aikana. Älä koskaan pidä työkalua paikallaan käsin.
37. Varmista aina ennen sahaamista, että työkalu on vakaa.
38. Tue pitkät työkalut asianmukaisilla lisätuilla.
39. Älä koskaan leikkaa niin pientä työkalua, ettei sitä voi kiinnittää tukevasti puristimeen. Väärin kiinnitetty työkalu voi aiheuttaa takapotkun ja vakavia vammoja.
40. Varmista, että kääntöpöytä on kunnolla kiinnitetty siten, että se ei liiku työskentelyn aikana.
41. Varmista, että varsi on tukevasti kiinnitetty viistesahausken aikana. Kiinnitä varsi kiristämällä vipua myötöpäivään.
42. Varmista, että terä ei kosketa kääntöpöytää alimassa asennossa ja että se ei kosketa työkalua ennen kuin kytkin käynnistetään.

43. Tartu kahvaan tiukasti. Muista, että saha liikkuu hieman ylös ja alas käynnistyksen ja pysähtymisen aikana.

KÄYTETTÄESSÄ PÖYTÄSAHANANA:

44. Älä työskentele vapaalla kädellä. Vapaalla kädellä työskentely tarkoittaa, että työkalua tuetaan tai ohjataan käsin halkaisuohjaimen asemesta.
45. Varmista, että kääntöpöytä on tukevasti kiinnitetty.
46. Varmista, että varsi on tukevasti kiinnitetty työskentelyasentoon. Kiinnitä varsi kiristämällä vipua myötäpäivään.
47. Käytä työntöpuikkoa tai työntökappaletta välttyäksesi työskentelemästä kädet ja sormet sahanterän lähellä.
48. Varmista ennen kytkimen käynnistämistä, että terä ei kosketa jakoveistä eikä työkalualetta.
49. Kiinnitä erityistä huomiota TAKAPOTKUN riskin vähentämistä koskeviin ohjeisiin. TAKAPOTKU on puristuksiin jääneen, vääntyneen tai vinoon joutuneen terän aiheuttama äkillinen reaktio. TAKAPOTKU aiheuttaa työkalun sinkoutumisen koneen takaa kohti käyttäjää. TAKAPOTKU VOI AIHEUTTAA VAKAVAN LOUKKAANTUMISEN. Vältä TAKAPOTKUJA pitämällä terät terävinä, pitämällä halkaisuohjaimen samansuuntaisena terän kanssa, pitämällä halkaisuterän ja teräsuojukset paikoillaan ja toimintakunnossa, olemalla vapauttamatta työkalualetta ennen kuin se on työnnetty kokonaan terän ohi ja olemalla halkaisematta työkalualetta, joka on kiero tai vääntynyt tai jolla ei ole suoraa reunaa kuljetettavaksi ohjaimen reunaa myöten.
50. Vältä äkillistä, nopeaa syöttämistä. Syötä mahdollisimman hitaasti sahatessasi kovia työkalualetta. Älä väännä äläkä kierrä työkalualetta syöttämisen yhteydessä. Jos terä juuttuu kiinni työkaluleeseen, sammuta kone välittömästi. Irrota kone pistorasiasta. Poista sitten tukos.
51. Varmista aina ennen pöydän kääntämistä ympäri, että rajoitintappi lukitsee koneen pään tukevasti alimpaan asentoon.

SÄILYTÄ NÄMÄ OHJEET.

VAROITUS:

ÄLÄ anna työkalun helppokäyttöisyyden tai toistuvan käytön tuudittaa sinua väärään turvallisuuden tunteeseen niin, että laiminlyöt työkalun turvaohjeiden noudattamisen. VÄÄRINKÄYTTÖ tai tämän käyttöohjeen turvamääräysten laiminlyönti voi johtaa vakaviin henkilövahinkoihin.

ASENNUS

△HUOMIO:

Pidä koneen ympärillä oleva lattia siistinä ja puhtaana irtokappaleista, kuten lastuista ja työkalun paloista.

Penkin kiinnittäminen

Korkea pöytä täyteen pituuteen vedetyillä jaloilla

Jos konetta ei voi asentaa tukevasti, käännä koneen jalassa olevaa säätönuppia saavuttaaksesi tasapainon. Käännä ylhäältä katsoen vastapäivään lyhentääksesi jalkaa ja myötäpäivään pidentääksesi sitä. Varmista säädön tehtyäsi, että kone pysyy tukevasti paikoillaan.

Kuva1

Asenna kiinnityslevyt kuusiopulteilla kulmapuoli ulospäin koneen kolmeen jalkaan. Kiinnitä kone vakaaseen ja tasaiseen alustaan kolmella pultilla kiinnityslevyissä olevien pultinreikien avulla.

Kuva2

Matala pöytä taitetuilla jaloilla

Kuva3

Kun kone on valmis taitettuine jalkoineen, kiinnitä kone U:n muotoisten urien avulla kuvan osoittamalla tavalla.

TOIMINTOJEN KUVAUS

△HUOMIO:

- Varmista aina ennen koneen säätöjen ja toiminnallisten tarkistusten tekemistä, että kone on sammutettu ja irrotettu pistorasiasta.

Teräsuojus

Kuva4

Kuva5

Kuva6

△HUOMIO:

- Varmista, että kahvaa ei voi laskea ilman, että kahvan lähellä vasemmalla puolella olevaa vipua painetaan.
- Varmista, että terän alasuojus A ei aukea, ellei kahvan lähellä olevaa vipua painetaan kahvan yläasennossa.
- Varmista ennen jiirisahaumuodon käyttämistä, että terän alasuojus C on asennettu.

Kun kahvaa lasketaan samalla kun painetaan vipua vasemmalle, terän alasuojus A nousee automaattisesti. Terän alasuojus B nousee, kun se osuu työkappaleeseen. Terän alasuojukset ovat jousiviritteisiä, joten ne palautuvat alkuperäiseen asentoon, kun sahaus on valmis ja kahva nostetaan. Terän yläsuojus tulee pöydän pintaa vasten, kun työkappale on mennyt sen alta. **ÄLÄ KOSKAAN ESTÄ TERÄN ALASUOJUKSIA, TERÄN ALASUOJUKSESSA KIINNI OLEVAA JOUSTA ÄLÄKÄ TERÄN YLÄSUOJUSTA TOIMIMASTA ÄLÄKÄ POISTA NIITÄ** paitsi alla kuvatussa tapauksessa.

Pidä kaikki teräsuojukset hyvässä kunnossa oman turvallisuutesi vuoksi. Kaikki tavallisesta poikkeava suojusten toiminnassa on korjattava välittömästi. Varmista, että terän alasuojukset palautuvat jousen avulla. **ÄLÄ KOSKAAN KÄYTÄ KONETTA, JOS TERÄN ALASUOJUS, JOUSI TAI TERÄN YLÄSUOJUS ON VAURIOITUNUT, VIALLINEN TAI IRROTETTU** paitsi alla kuvatussa tapauksessa. **TÄMÄ ON ERITTÄIN VAARALLISTA JA VOI AIHEUTTAA VAKAVAN LOUKKAANTUMISEN.**

HUOMAUTUS:

- Suojusten poistamista koskevat seuraavat poikkeukset. Terän alasuojus C poistetaan vain silloin, kun käytetään pöytäsahausmuotoa. Terän yläsuojus poistetaan vain silloin, kun käytetään jiirisahaumuotoa.

Jos jokin näistä läpinäkyvistä teränsuojuksista likaantuu tai jos sille tarjtuu sahanpurua siten, että terää ei enää näe vaivatta, irrota saha pistorasiasta ja puhdistus suojukset huolellisesti kostealla kankaalla. Älä käytä luottimia tai öljypohjaisia puhdistusaineita muovisiin suojuksiin.

Jos alempi teränsuojus A on erityisen likainen ja sen läpinäkyvyys on heikentynyt, menettele seuraavalla

tavalla. Nosta kahva täysin. Poista sahanterä (ks osaa "Sahanterän asennus ja poisto"). Nosta alempaa teränsuojusta A samalla, kuin työnnyt vipua vasemmalle päin. Jos alempi teränsuojus on näin sijoitettu, puhdistus voidaan suorittaa täydellisemmin ja tehokkaammin. Kun puhdistus on valmis, käännä ylhäällä mainittu toimenpide nurin ja varmista ruuvi.

Samalla tavalla ylä-teränsuojuksen tapauksessa ylhäällä mainitulla tavalla, paina nappi edestä sisään pinnan yläosaanpäin ja poista ylä-teränsuojus. Puhdistuksen jälkeen, asenna se aina hyvin uudelleen.

Jos nämä teränsuojukset haalistuvat iän myötä tai UV-valolle alttiina olon aikana, ota yhteys Makitan huoltokeskukseen pyytääksesi uusi suojus. **ÄLÄ TYHJENNÄ TAI POISTA SUOJUKSIA.**

Parhaan sahauskyvyn ylläpitäminen

Kuva7

Kone on tehtaalla säädetty tuottamaan suurin sahauskyky 260 mm:n sahanterällä.

Kun asennat uuden terän, tarkista aina terän ala-asennon raja ja säädä tarvittaessa seuraavasti:

△HUOMIO:

- Kun teet tämän säädön, irrota kone pistorasiasta. Irrota kone ensin pistorasiasta. Laske kahva kokonaan alas. Käännä säätöpulttia avaimella, kunnes terän reuna ulottuu hieman kääntöjalustan yläpinnan alle kohdassa, jossa ohjaimen etureuna kohtaa kääntöjalustan yläpinnan. Kun kone on irrotettuna pistorasiasta, käännä terää käsin pitäen kahvan kokonaan alhaalla varmistuaksesi, että terä ei kosketa mitään alajalustan kohtaa. Hienosäädä tarvittaessa.

△HUOMIO:

- Kun terä on kiinnitetty, varmista aina, että terä ei kosketa alajalustan mitään kohtaa, kun kahva lasketaan kokonaan alas. Tee tämä vain koneen ollessa irrotettuna pistorasiasta.

Konetta voi käyttää alarajoittimella tai ilman siirtämällä alarajoitinta kuvan osoittamalla tavalla.

Kun haluat käyttää konetta ilman alarajoitinta, käännä rajoittimen päätä vastapäivään. Tätä asentoa käytetään leveiden ja ohuiden työkappaleiden sahaamiseen.

Kun haluat käyttää konetta alarajoittimella, siirrä rajoittimen päätä myötäpäivään. Tätä asentoa käytetään paksujen työkappaleiden sahaamiseen.

Kuva8

Jiirikulman säätäminen

Kuva9

Kuva10

Irrota ohjaimen kiristysruuvi kääntämällä vastapäivään. Käännä kääntöpöytää kahvasta. Kun olet siirtänyt kahvan asentoon, jossa osoitin osoittaa haluamaasi kulmaa jiiristeikolla, kiristä kiristysruuvi tiukasti myötäpäivään.

△HUOMIO:

- Kun käännät kääntöpöytää, muista nostaa kahvan kokonaan ylös.
- Kun olet muuttanut jiirikulmaa, kiinnitä kääntöpöytä aina kiristämällä kiristysruuvi tiukalle.

Kallistuskulman säätäminen

Jiirisahaosuuden säätäminen

Kuva11

Kuva12

Kun haluat säätää kallistuskulmaa, löysää työkalun takana oleva vipu kiertämällä sitä vastapäivään.

Kallista sahanterää työntämällä kahvaa vasemmalle, kunnes osoitin osoittaa haluamaasi kulmaa kallistusasteikossa. Kiristä sitten vipu myötäpäivään tiukalle varren kiinnittämiseksi.

△HUOMIO:

- Kun käännät sahanterää, muista nostaa kahva kokonaan ylös.
- Kun olet muuttanut kallistuskulman, kiinnitä varsi aina kiristämällä vipu myötäpäivään kiertämällä.

Pöytäsaahaosuuden säätäminen

Kuva13

Kun haluat säätää viistekulmaa, löysennä koneen etuosassa pöydän alla olevaa vipua vastapäivään.

Siirrä syvyydensäätönuppia vasemmalle kääntääksesi pöytäsaaha, kunnes osoitin osoittaa haluamaasi kulmaa viisteasteikolla. Kiristä sitten vipu myötäpäivään tiukalle varren kiinnittämiseksi.

Kytkimen käyttäminen

Kuva14

Jiirisahaosuuden kytkin

△HUOMIO:

- Tarkista aina ennen koneen kytkemistä pistorasiaan, että vipukytkin toimii oikein ja palautuu vapautettaessa "OFF"-asentoon.
- Kun konetta ei käytetä, irrota lukituksen vapautuskytkin ja säilytä sitä turvallisessa paikassa.
- Älä paina vipukytkintä voimakkaasti painamatta lukituksen vapautuskytkintä sisään. Tämä voi rikkoa kytkimen.

Kone on varustettu lukituksen vapautuskytkimellä vipukytkimen tahattoman painamisen estämiseksi. Kone käynnistetään painamalla lukitusvipu vasemmalle, painamalla liipaisimen vapautuskytkin sisään ja painamalla sitten vipukytkintä. Kone pysäytetään vapauttamalla vipukytkin.

Pöytäsaahaosuuden kytkin

△HUOMIO:

- Varmista ennen työskentelyä, että kone käynnistyy ja sammuu.

Kone käynnistetään painamalla ON (I)-painiketta. Kone pysähtyy painamalla OFF (O)-painiketta.

Sahaussyvyyden säätäminen

Kuva15

Sahaussyvyvyyttä voi säätää kääntämällä sahaussyvyyden säätönuppia. Käännä sahaussyvyyden säätönuppia myötäpäivään nostaksesi terää ja vastapäivään laskeaksesi sitä.

△VAROITUS:

- Käytä matalaa asetusta sahatessasi ohuita materiaaleja, jotta sahausjälki olisi siistimpi.

△HUOMIO:

- Rajoitintappia ei voi kääntää koneen pään ollessa kokonaan alhaalla. Käännä tällöin nuppia hieman vastapäivään, jolloin rajoitintapin voi vapauttaa.

Kuva16

Ylikuormitusuoja

- Vain 200 V:n tai sitä suuremman jännitteen työkalut. Nimellijännite lukee työkalun arvokilvessä.
- Jos työkalun kuormitus ylittää sallitun rajan, moottorin tehoa alennetaan, jotta se ei ylikuumentaisi. Kun kuormitus palautuu sallitulle tasolle, työkalun toiminta palaa normaaliin.

KOKOONPANO

△HUOMIO:

- Varmista aina ennen koneelle tehtäviä toimenpiteitä, että kone on sammutettu ja irrotettu pistorasiasta.

Kuusioavaimen varastointi

Kuva17

Kuusioavainta säilytetään kuvan osoittamalla tavalla. Kun haluat käyttää kuusioavainta, ota se pois pidikkeestä. Pistä kuusioavain takaisin pidikkeeseen käytön jälkeen.

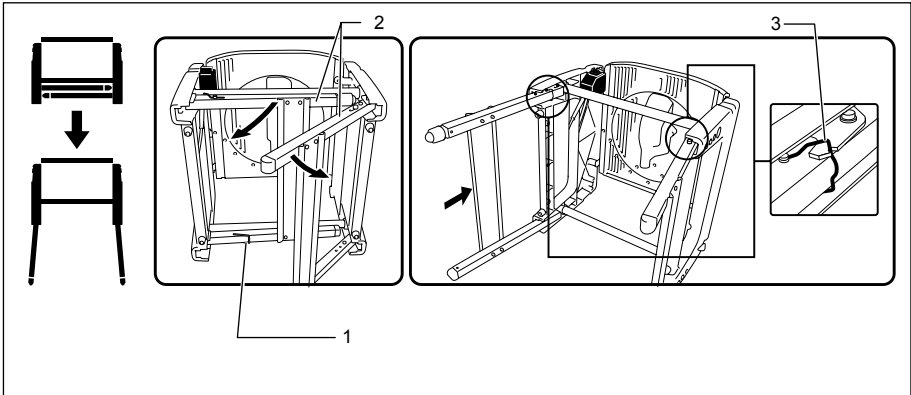
Pöydän korkeuden kaksi asentoa

Pöytä voidaan asettaa joko korkeaksi tai matalaksi.

△VAROITUS:

- Ennen kuin lasket konetta taaksepäin, aseta kone aina jiirisahaosuudolle ja lukitse koneen päälle alasentoon.

1. Pöydän korkea asento



1. Koukku
2. Jalat
3. Pysäytin koukku

006043

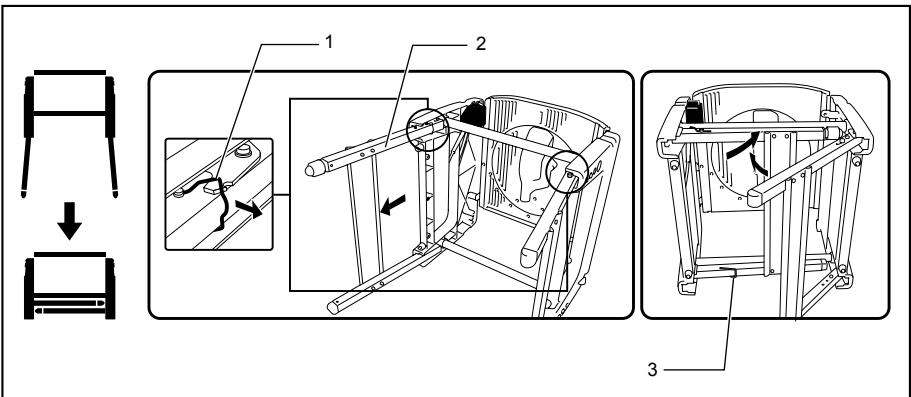
Kun haluat asettaa pöydän korkealle, toimi seuraavasti.
(1) Laske kone varovasti TAAKSEPÄIN molemmin käsin kannatellen.
(2) Käännä koukkuja kuvan nuolen suuntaan saadaksesi jalat irtomaahan. Avaa pöydän toisen puolen jalat ja työnnä jalkojen alalevy kokonaan eteen, jolloin se lukitsee itsensä. Tee sama toisen puolen jaloille. Varmista,

että molempien puoltien jalat ovat kokonaan lukitut.

⚠VAROITUS:

- Varmista, että rajoitinkoukut ovat täsmälleen oikeilla kohdilla telineen urissa.
- (3) Palauta kone pystyasentoon.

2. Pöydän matala asento



1. Pysäytin koukku
2. Jalat
3. Koukku

006044

Jalat voi taistaa kuvan osoittamalla tavalla. Kun haluat laskea koneen alas, toimi seuraavasti.
(1) Laske kone varovasti TAAKSEPÄIN molemmin käsin kannatellen.
(2) Vedä ensin vasemman jalan nivelen kohdalla oleva rajoitin ylös itseäsi kohti vapauttaaksesi sen lukituksen.

- (3) Tee edellä kuvatut toimet vastakkaisen puolen jaloille.
- (4) Kytke nämä jalat toisiinsa koukun avulla.
- (5) Palauta kone pystyasentoon.

Sahanterän kiinnittäminen ja irrottaminen

△HUOMIO:

- Varmista aina ennen terän kiinnittämistä ja irrottamista, että kone on sammutettu ja irrotettu pistorasiasta.
- Käytän terän irrottamiseen ja kiinnittämiseen vain mukana toimitettua Makitan kuusioavainta. Muuten seurauksena voi olla kuusiokolopultin yli- tai alikiristäminen. Se voi aiheuttaa vammoja.

Siirrä kahva kokonaan yläasentoon.

Lukitse kara painamalla akselin lukkoa ja löysää kuusiokolopulti kiertämällä sitä myötäpäivään kuusioavaimella.

Kuva18

Nosta teräsuojus A sen nostovivulla työntäen samalla vipua lähelle vasemmalla olevaa kahvaa. Kun teräsuojus A on nostettu, poista kuusiokolopulti, ulkolaippa ja terä.

Kuva19

Kiinnitä terä asettamalla se karalle varmistaen samalla, että terän pinnalla oleva nuoli osoittaa samaan suuntaan kuin teräkotelossa oleva nuoli. Asenna ulkolaippa ja kuusiokolopulti ja kiristä sitten kuusiokolopulti (vasenkätinen) tiukasti kiertämällä sitä kuusioavaimella vastapäivään samalla akselilukkoa painaen.

Kuva20

Kuva21

HUOMAUTUS:

- Kun kiinnität sahanterän, muista työntää se ensin teräsuojuksen B väliin. Nosta sitä sitten niin, että terä tulee teräsuojuksen B väliin.

Kuva22

△HUOMIO:

- Rengas, joka on 25,4 tai 30 mm ulkohalkaisijaltaan, on tehtaan asettama pystyakselin päälle. Ennen terän istuttamista pystyakselin päälle varmista aina, että terän akselinreian oikea rengas, jota aioid käyttää on asennettu pystyakselin päälle.

Palauta terän alasuojus A alkuperäiseen asentoon. Laske kahva varmistaaksesi, että terän alasuojukset liikkuvat oikein. Varmista ennen sahaamista, että karalukitus on vapauttanut karan.

Jakoveitsen säätäminen

Kuva23

Jakoveitsen ja terän hampaiden välillä on oltava noin 5 - 6 mm:n vapaa väli, kun halkaisuterä työnnetään täysin terää kohti. Säädä jakoveitsi siten, että löysennät ensin kiristysmutterin käsin vastapäivään kiertämällä, sitten löysäät kuusiokolopultin kiertämällä vastapäivään kuusioavaimella ja mittaa etäisyyden. Kiristä säädön jälkeen kuusiokolopulti ja kiristysmutteri tiukasti myötäpäivään kiertämällä. Tarkista aina ennen sahamaista, että jakoterä on kiinnitetty lujasti ja että ylempi teräsuojus liikkuu tasaisesti.

Kuva24

Halkaisuterä on asennettu ennen tehdastoimitusta siten, että terä ja halkaisuterä ovat suorassa linjassa yksinkertaisen asennuksen jälkeen. Katso asennusohjeet kohdasta "Halkaisuohjaimen asennon vaihtaminen".

Kuva25

△HUOMIO:

- Jos terää ja halkaisuterää ei ole linjattu suoraan, voi seurauksena olla vaarallinen puristuksiin jääminen. Varmista, että halkaisuterä asettuu ylhäältäpäin katsottaessa terän hampaiden molempien ulkoreunojen väliin. Koneen käyttö ilman oikein suoraan linjattua jakoveistä voi johtaa vakavaan loukkaantumiseen. Jos nämä eivät jostain syystä ole suoraan linjatut, korjauta vika Makitan valtuuttamassa huollossa.
- Kun säädät jakoveitsen etäisyyden terän hampaista, löysää aina kuusiokolopulti vasta, kun olet löysännyt kiristysmutterin.

Halkaisuterän kiinnittäminen ja säätäminen

Kuva26

1. Kiinnitä halkaisuohjain pöytään siten, että halkaisuohjain osuu ohjaukisksoon. Kiristä halkaisuohjaimen kiristysruuvi (B) tiukasti myötäpäivään.
2. Löysennä kiristysruuvi (A).
3. Siirrä halkaisuohjainta ja kiinnitä se siten, että halkaisuohjaimen itsestään kauempana oleva pääty on linjassa sen kohdan kanssa, jossa sahanterän etureuna pilkottaa työkappaleen yläpinnan takaa. Tämän säädön tarkoitus on vähentää käyttäjään suuntautuvan takapotkun vaaraa, kun työkappaleesta irronnut pala puristuu sahanterän ja halkaisuohjaimen väliin ja työntyy lopulta käyttäjää kohti. Linja (A) vaihtelee työkappaleen ja pöytätason paksuuden mukaan. Säädä halkaisuohjaimen sijainti työkappaleen paksuuden mukaan.
Kun olet säätänyt halkaisuohjaimen, kiristä kiristysruuvi (A) tiukasti.

Kuva27

HUOMAUTUS:

- Halkaisuohjain voidaan asettaa neljään eri asentoon kuvan osoittamalla tavalla. Halkaisuohjaimen sivuilla on kaksi rakoa. Toisen lähellä samalla puolella on kohouma ja toinen on ilman kohoumaa. Käytä halkaisuohjaimen kohoumalla varustettua puolta työkalua vasten vain sahatessasi ohueen työkalupäähän.

Kuva28

HUOMAUTUS:

- Kun haluat muuttaa halkaisuojhajimen asentoa, irrota halkaisuojhajin pitimestään löysentämällä kiristysruuvi (A). Vaihda sitten halkaisuojhajimen suuntaa pitimeensä nähden siten, että halkaisuojhajimen asento pitimessä on työllesi sopiva kuvan osoittamalla tavalla. Työnä halkaisuojhajimen pitimen neliömäinen mutteri halkaisuojhajimen jommankumman raon takaosaan siten, että ne sopivat kuvan osoittamalla tavalla.

Kun haluat muuttaa asennon A tai B asennoksi C tai D tai päinvastoin, irrota neliömäinen mutteri ja kiristysruuvi (A) halkaisuojhajimen pitimestä. Aseta sitten kiristysruuvi (A) ja neliömäinen mutteri alkuperäiseen nähden vastakkaiseen asentoon halkaisuojhajimen pitimessä. Kiristä kiristysruuvi (A) tiukasti työnnettyäsi halkaisuojhajimen pitimen neliömäisen mutterin halkaisuojhajimen rakoon. Työnä halkaisuojhajimen pitimen neliömäinen mutteri halkaisuojhajimen jommankumman raon takaosaan siten, että ne sopivat kuvan osoittamalla tavalla.

Kuva29

Halkaisuojhajin on tehtaalla asennettu siten, että se on samansuuntainen terän pinnan kanssa. Varmista, että se on samansuuntainen terän kanssa. Varmista seuraavasti, että halkaisuojhajin on samansuuntainen terän kanssa. Säädä terän korkeutta sahausvyödyden säätönupilla siten, että terä on ylimmässä asennossa pöytään nähden. Merkitse yksi terän hampaista värikynällä. Mittaa halkaisuojhajimen ja terän välinen etäisyys (A) – (B). Tee molemmat mittaukset käyttäen värikynällä merkittyä hammasta. Näiden kahden mittaustuloksen tulee olla samat. Jos halkaisuojhajin ei ole samansuuntainen terän kanssa, toimi seuraavasti:

Kuva30

- (1) Käännä säätöruuvia vastapäivään.

Kuva31

Kuva32

- (2) Siirrä halkaisuojhajimen etureunaa hieman oikealle tai vasemmalle, kunnes se on samansuuntainen terän kanssa.
- (3) Kiristä halkaisuojhajimen kiristysruuvi tiukalle.

△HUOMIO:

- Muista säätää halkaisuojhajin siten, että se on samansuuntainen terän kanssa. Muutoin seurausena voi olla vaarallinen takapotku.
- Muista säätää halkaisuojhajin siten, että se ei osu terän yläsuojukseen eikä sahanterään.
- Älä siirrä tai kanna konetta ohjaimesta.
- Kiinnitetyn ohjaimen nostaminen tai sen painaminen oikealle tai vasemmalle yläosaan tarttuneella kädellä voi vioittaa ohjainta ja estää sen toiminnan.

Jiirasteikon kiinnittäminen ja säätäminen

Kuva33

Kiinnitä jiirasteikko työntämällä sen kara etupuolelta toiseen pöydän kahdesta urasta. Jiirasteikkoon voidaan kiinnittää työn mukaan jiirasteikon suojuus, jota voi käyttää myös halkaisuojhajimena.

Pölypussi

Kuva34

Sahaaminen on siistiä ja pölyn kerääminen helppoa, kun käytät pölypussia. Pölypussi kiinnitetään sovitamalla se pölysuuttimeen.

Kun pölypussi on täytynyt noin puoliksi, irrota pölypussi koneesta ja vedä suljin irti. Tyhjä pussin sisältö napauttamalla sitä kevyesti siten, että sisään tarttuneet hiukkaset irtoavat. Näin ne eivät jää haittaamaan tulevaa pölynkeräystä.

Kuva35

Pölynimurin kytkeminen sahaan tekee työskentelystä tehokkaampaa ja siistimpää.

Kuva36

Kulmakappale

Kuva37

△HUOMIO:

- Aseta kulmakappaleen ulostuloaukko suuntaan, jossa lentävä pöly ja lastut eivät joudu koneeseen ja työskentelyalueella olevien ihmisten päälle.

Kiinnitä kulmakappale muuttaaksesi pölyn puhallussuuntaa.

Työkappaleen kiinnittäminen

△VAROITUS:

- On erittäin tärkeää, että työkappale kiinnitetään aina kunnolla ja kiristetään ruuvipuristimella paikalleen. Muutoin kone voi vioittua ja/tai työkappale tuhoutua. SEURAUKSENA VOI OLLA MYÖS LOUKKAANTUMINEN. ÄLÄ myöskään nosta terää työskentelyn jälkeen, ennen kuin terä on kokonaan pysähtynyt.

Apuohjain

Kuva38

Apuohjain voidaan asentaa ohjaimen. Jos viistesahaat vasemmalle tai käytät sahaa pöytäsaahana (halkaisuun), irrota apuohjain.

△HUOMIO:

- Jos viistesahaat vasemmalle tai käytät sahaa pöytäsaahana (halkaisuun), irrota vara-aita. Muuten se koskettaa terää tai muuta työkalun osaa, mistä voi aiheutua käyttäjälle vakavia vammoja.

Kappalepuristin

Kuva39

Puristin voidaan asentaa kahteen eri asentoon joko ohjaimen vasemmalle tai oikealle puolelle. Työnnä puristimen tanko ohjaimen reikään ja kiristä kiristysruuvi kiinnittääksesi puristimen tangon.

Aseta puristin työkappaleen paksuuden ja muodon mukaisesti ja kiinnitä puristimen varsi kiristämällä kiristysruuvi. Jos puristimen varren kiinnittävä ruuvi koskee ohjaimen, kiinnitä kiristysruuvi puristimen varren toiselle puolelle. Varmista, että jiirisaha ei kosketa puristinta, kun saha lasketaan kokonaan alas. Jos jokin osa koskettaa puristinta, muuta puristimen asentoa.

Paina työkappale sahausvastetta vasten. Aseta työkappale haluttuun asentoon ja kiinnitä se tukevasti kiristämällä puristimen kiristysruuvi.

△HUOMIO:

- Työkappaleen on oltava tukevasti kiinnitetty kääntöpöytää ja ohjainta vasten.

Koneen vaihtaminen pöytäsahaustilaan

△HUOMIO:

- Varmista ennen pöytäsahaustuon käyttämistä, että kääntöpöytä on kiinnitetty 0° jiirikulmaan ohjaimen kiristysruuvilla.
- Varmista ennen pöytäsahaustuon käyttämistä, että koneen pää on kiinnitetty vivulla.

- Varmista ennen pöytäsahaustuon käyttämistä, että halkaisuohjain on kiinnitetty kunnolla paikalleen.
- Irrota alasuojus C ennen pöytäsahaustuon käyttämistä.
- Vapauta alarajoitin pöytäsahaustuota käytettäessä.

Kone on toimitettu tehtaalta jiirisahausten asetuksilla. Muuta asetukset seuraavien ohjeiden mukaan ennen pöytäsahaustuon käyttämistä.

1. Kääntöpöydän kiinnittäminen paikalleen

Kuva40

Kiinnitä kääntöpöytä paikalleen kiristämällä ohjaimen ruuvi 0° jiirikulmaan.

2. Koneen pään kiinnittäminen paikalleen

Kuva41

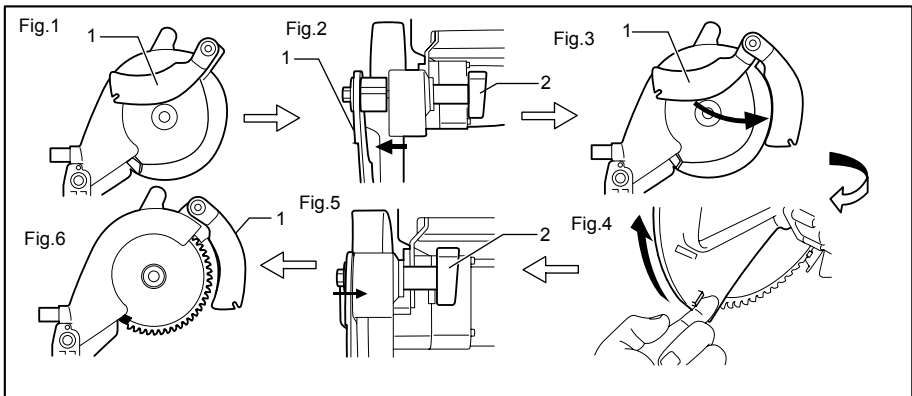
Kiinnitä koneen pää paikalleen kiristämällä vipua kuvassa näkyvän nuolen suuntaan.

3. Alarajoittimen vapauttaminen

Kuva42

Varmista, että alarajoitin on kuvan mukaisessa asennossa A. Käännä alarajoittimen päätä vastapäivään asentoon A, jos se on asennossa B.

4. Halkaisuohjaimen asennon vaihtaminen



1. Jakoveitsi

2. Kiristysmutteri

006068

Asentoa (Kuva 1) tulee muuttaa seuraavasti.

- (1) Löysennä kiristysmutteri (Kuva 2).
- (2) Vedä ja käännä jakoveitsi 90° kulman mukaiseen asentoon nuolen suuntaan kuvien osoittamalla tavalla (Kuva 3). Työnnä sitä hieman sisään siten, että se pysyy tässä asennossa.

- (3) Nosta terän alasuojus A käsin kokonaan ylös sen ulokkeesta työntäen samalla kahvan lähellä olevaa vipua vasemmalle ja vapauta kahvan lähellä oleva vipu (Kuva 4).
- (4) Työnnä jakoveistä nuolen suuntaan (katso kuvaa 5) siten, että se on linjassa sahanterän kanssa.

- (5) Kun olet työntänyt jakoveitsen kuvassa näkyvän nuolen suuntaan, vapauta terän alasuojus A.
- (6) Kun olet linjannut jakoveitsen, kiristä kiristysmutteri tiukasti (katso kuva 6).

5. Terän alasuojuksen C irrottaminen

Kuva43

Irrota terän alasuojus C pöydästä löysentämällä kiristysruuvi.

6. Koneen pään lukitseminen alimpaan asentoon

Kuva44

Kuva45

Kun olet asettanut halkaisuohjaimen pöytäsahausmuodon asentoon, vedä rajoitin nuolen A suuntaan ja käännä se 90° kulmaan nuolen B suuntaan rajoittimen ollessa vedettynä. Lukitse sitten koneen pää laskelmalla kahva.

⚠HUOMIO:

- Jos koneen päätä ei voi lukita alimpaan asentoon, käännä syvyydensäätönuppia useita kierroksia myötäpäivään.
- Varmista aina ennen pöydän kääntämistä ympäri, että rajoitintappi lukitsee koneen pään tukevasti alimpaan asentoon.

7. Koneen kääntäminen ympäri

⚠VAROITUS:

- Varmista ennen ympäri kääntämistä, että kone on sammutettu ja irrotettu pistorasiasta.
- Kun painat vivun alas, muista pitää kädet/sormet loitolla vivun/pöydän asetusalueelta.

Kuva46

Tartu pöydän reunan keskiosaan toisella kädellä. Paina vipu alas toisella kädellä pitäen samalla tiukasti kiinni pöydän reunasta ja käännä pöytä varovasti ympäri. Pidä kiinni, kunnes se lukittuu.

8. Terän yläsuojuksen kiinnittäminen

Kuva47

Paina terän yläsuojuksen painike sen sivupinnalle. Aseta se halkaisuohjaimen koloon painike painettuna ja vapauta painike.

Kun olet vapauttanut painikkeen, varmista vetämällä että terän yläsuojus on tukevasti paikallaan.

⚠HUOMIO:

- Kun olet kiinnittänyt terän yläsuojuksen, varmista, että se toimii moitteettomasti.

Koneen asettaminen jiirisahaumuodolle

⚠VAROITUS:

- Muista kiinnittää terän alasuojus C ennen kuin käytät konetta jiirisahaumuodolla.

Kun haluat vaihtaa asetuksen pöytäsahausmuodolta jiirisahaumuodolle, tee kohdan "Koneen asettaminen pöytäsahausmuotoon" toimet päivävästaisessä järjestyksessä.

1. Terän yläsuojuksen irrottaminen

Paina terän yläsuojuksen painike sen sivupinnalle. Nosta sitten terän yläsuojus irti painikke painettuna.

2. Terän alasuojuksen C kiinnittäminen

Aseta terän alasuojus C pöydälle siten, että se sopii pöydän aukkoon, ja kiristä sitten kiristysruuvi tiukasti.

3. Koneen kääntäminen ympäri

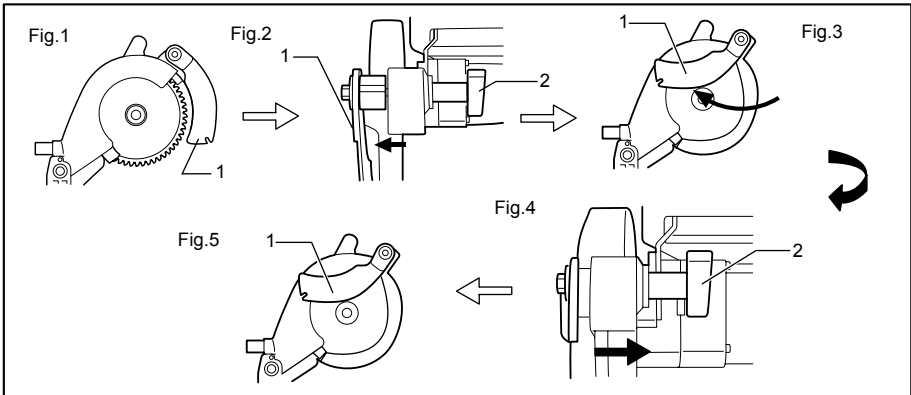
Katso samannimistä osiota kohdassa "Koneen vaihtaminen pöytäsahaustilaan".

4. Koneen pään vapauttaminen alimmasta asennosta.

Kuva48

Pidä kahvasta ja vedä rajoitintappia nuolen A suuntaan. Käännä kahva 90° kulmaan nuolen B suuntaan rajoitintapin ollessa vedettynä. Nosta sitten kahvaa hitaasti.

5. Jakoveitsen asennon vaihtaminen



1. Jakoveitsi
2. Kiristysmutteri

006075

Jakoveitsen asentoa (Kuva 1) tulee muuttaa seuraavasti.

- (1) Löysennä kiristysmutteri ja pidä käsin kiinni terän alasuojuksen A ulokkeesta (Kuva 2).
- (2) Pidä kiinni terän alasuojuksesta A ja vedä Jakoveista siten, että se kääntyy asentoon nuolen osoittamaan suuntaan (Kuva 3).
- (3) Kun jakoveitsi on tässä asennossa, palauta terän alasuojus A alkuperäiseen asentoon ja kiristä kiristysmutteri tiukasti (Kuvat 4, 5).

TYÖSKENTELY

⚠️HUOMIO:

- Muista vapauttaa kahva ala-asennosta ennen työskentelyä vetämällä rajoitintappia ja kääntämällä kahva 90° kulmaan.
- Varmista ennen kytkimen käynnistämistä, että terä ei kosketa työkappaletta tms.

KÄYTTÖ JIIRISAHANA

⚠️VAROITUS:

- Varmista ennen jiirisahaumuodon käyttämistä, että terän alasuojus C on asennettu.

⚠️HUOMIO:

- Älä paina kahvaa voimakkaasti sahatessasi. Liiallinen painaminen voi ylikuormittaa moottoria ja/tai heikentää sahaustehoa. Paina kahvaa vain sen verran kuin on tarpeen, jotta sahaus eteen asianmukaisesti ilman, että terän nopeus laskee huomattavasti.
- Saha painamalla kahvaa kevyesti alas. Jos kahvaa painetaan voimakkaasti tai sitä painetaan sivusuunnassa, terä alkaa väristä jättäen jäljen työkappaleeseen ja sahausen tarkkuus kärsii.

1. Aukkosahaus

Kuva49

Kiinnitä työkappale ohjainta ja kääntöpöytää vasten. Käynnistä kone siten, että terä ei koske mihinkään, ja odota, kunnes terä on saavuttanut täyden nopeuden, ennen kuin painat terää alas. Laske sitten kahva varovasti kokonaan alas sahataksesi työkappaleeseen. Kun sahaus on suoritettu, sammuta kone ja ODOTA, KUNNES TERÄ ON TÄYSIN PYSÄHTYNYT, ennen kuin palautat sen takaisin yläasentoonsa.

2. Jiirisahaus

Katso aiempaa kohtaa "Jiirikulman säätäminen".

3. kallistussahaus

Kuva50

Löysennä vipu ja käännä sahanterää asettaaksesi viistekulman (Katso aiempaa kohtaa "Viistekulman säätäminen"). Muista kiristää vipu tiukasti lukitaksesi valitun viistekulman turvallisesti. Kiinnitä työkappale ohjainta ja kääntöpöytää vasten. Käynnistä kone siten, että terä ei koske mihinkään, ja odota, kunnes terä on saavuttanut täyden nopeuden. Paina sitten kahva kevyesti kokonaan alas painaen samansuuntaisesti terän kanssa. Kun sahaus on valmis, sammuta kone ja ODOTA, KUNNES TERÄ ON KOKONAAN PYSÄHTYNYT ennen kuin palautat terän kokonaan ylös.

⚠️HUOMIO:

- Varmista aina, että terä liikkuu alas viisteen suunnassa viistesahausten aikana. Pidä kädet poissa terän tieltä.

- Viistesahauksen yhteydessä voi käydä niin, että irti sahattu pala jää terän syrjän päälle. Jos terä nostetaan sen vielä pyöriessä, tämä kappale voi tarttua terään, jolloin sen sirpaleet voivat sinkoutua vaarallisesti. Terä tulee nostaa VASTA, kun terä on kokonaan pysähtynyt.
- Kun painat kahvaa alas, paina terän suuntaisesti. Jos kahvaa ei paineta terän suuntaisesti, terän kulma voi siirtyä ja sahauksen tarkkuus kärsiä.
- Irrota apuohjain aina ennen viistesahausta vasemmalle.

4. Yhdistelmäsaahas

Yhdistelmäsaahauksessa työkappaleeseen sahataan viestikulma samaan aikaan jirikulman kanssa. Yhdistelmäsaahas voidaan tehdä taulukon osoittamissa kulmissa.

Kallistuskulma	Jirikulma
45°	Vasen ja Oikea 0° 45°

006366

Kun teet yhdistelmäsaahausta, katso kohtien "Aukkosahaus", "Jiirisahaus" ja "Viistesahaus" ohjeita.

5. Alumiinisten puristetankojen sahaaminen

Kuva51

Kun kiinnität alumiinisia puristetankoja, käytä väliskeitä tai jätepaloja kuvan osoittamalla tavalla estääksesi alumiinin vääntymisen. Käytä sahausöljyä sahatessasi alumiinisia puristetankoja, jotta terälle ei kertyisi alumiinia.

⚠HUOMIO:

- Älä koskaan sahaa paksuja tai pyöreitä alumiinisia puristetankoja. Paksut alumiiniset puristetangot voivat irrota työskentelyn aikana, ja pyöreitä tankoja ei voi kiinnittää tukevasti tähän koneeseen.
- Älä koskaan sahaa alumiinia pöytäsaahasmuodolla (halkaisu).

KÄYTTÖ PÖYTÄSAHANA (halkaisu)

⚠HUOMIO:

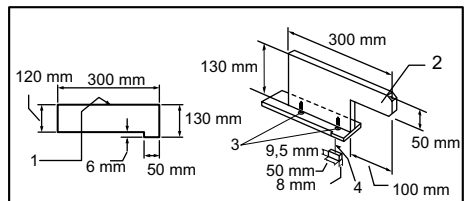
- Käytä aina apuvälineitä, kuten työntöpuikkoja ja työntökappaleita, kun kädet tai sormet ovat vaarassa joutua terän lähelle.
- Pitele työkappaletta aina tukevasti pöydän ja halkaisuohjaimen avulla. Älä taita äläkä väännä sitä syötön aikana. Jos työkappale taittuu tai vääntyy, voi tästä aiheutua vaarallinen takapotku.
- ÄLÄ KOSKAAN vedä työkappaletta taakse terän pyöriessä. Jos työkappale on pakko vetää taakse ennen sahauksen valmistumista, sammuta ensin kone pitäen työkappale tukevasti paikallaan. Odota kunnes terä on kokonaan pysähtynyt ennen kuin vedät työkappaleen taakse. Muutoin seurauksena voi olla vaarallinen takapotku.

- ÄLÄ KOSKAAN poista irti sahattuja kappaleita terän pyöriessä.
- ÄLÄ KOSKAAN aseta käsiä äläkä sormia sahanterän tielle.
- Kiinnitä halkaisuohjain aina tukevasti. Muutoin seurauksena voi olla vaarallinen takapotku.
- Käytä aina apuvälineitä kuten työntöpuikkoja ja työntökappaleita, kun sahaat pieniä tai kapeita työkappaleita tai kun pää on piilossa sahauksen aikana.
- Jos käytät sahaa pöytäsahana (halkaisuun), irrota apuohjain.

Apuvälineet

Työntöpuikot, työntökappaleet ja apuohjaimet ovat esimerkkejä apuvälineistä. Niiden käyttö tekee sahauksesta turvallista ja varmaa, koska käyttäjän ei tarvitse koskea terään millään ruumiinosalla.

Työntökappale



1. Tasaa samansuuntaisesti

2. Kahva

3. Puuruuvi

4. Ohjaa yhdessä

006080

Käytä 19 mm:n vanerikappaletta.

Kahva tulee sijoittaa vanerikappaleen keskelle. Kiinnitä liimalla ja puuruuveilla kuvan osoittamalla tavalla. Vaneriin pitää aina kiinnittää pieni 9,5 mm x 8 mm x 50 mm pala puuta, jotta terä ei tylsyisi, jos käyttäjä vahingossa sahaa työntökappaletta. (Älä koskaan käytä nauvoja työntökappaleessa.)

Apuohjain

Kuva52

Tee apuohjain 9,5 mm:n ja 19 mm:n vaneripaloista.

Halkaisusahaaminen

⚠HUOMIO:

- Kun halkaisusahaat, irrota jiiristeikko pöydästä.
 - Tue pitkät ja suuret kappaleet asianmukaisesti, jos ne ulottuvat sahattaessa pitkälle pöydän yli. ÄLÄ anna pitkän levyn liikkua tai siirtyä pöydällä. Tämä saa terän juuttumaan, mikä lisää takapotkun ja loukkaantumisen vaaraa. Tuen tulee olla samalla korkeudella kuin pöydän.
1. Säädä sahausvyvyys hieman korkeammaksi kuin työkappaleen paksuus. Katso lisätietoja säädön tekemisestä kohdasta "Sahaussyvyyden säätäminen".

- Aseta halkaisuohjain haluamaasi halkaisuleveyteen ja kiinnitä paikalleen kiristämällä kiristysruuvi (A). Varmista ennen halkaisua, että halkaisuohjaimen pitimen kaksi ruuvia ovat kunnolla kiinnitetyt. Jos ne eivät ole kunnolla kiinnitetyt, kiristä ne.
- Käynnistä kone ja syötä työkappaletta varovasti terälle halkaisuohjainta pitkin.
 - Jos halkaisuleveys on 150 mm tai enemmän, syötä työkappaletta varovasti toisella kädellä. Pidä toisella kädellä työkappale paikallaan halkaisuohjainta vasten.

Kuva53

- Jos halkaisuleveys on 65 - 150 mm:n, syötä työkappaletta työntöpuikolla.

Kuva54

- Jos halkaisuleveys on alle 65 mm, työntöpuikkoa ei voi käyttää, koska työntöpuikko osuisi teräsuojukseen. Käytä apuohjainta ja työntökappaletta. Kiinnitä apuohjain halkaisuohjaimen kahdella C-puristimella.

Kuva55

Syötä työkappaletta käsin, kunnes sen pääty on noin 25 mm:n päässä yläpöydän etureunasta. Jatka syöttämistä käyttäen työntökappaletta apuohjaimen päällä, kunnes sahaus on valmis.

Kuva56

Katkaisu

⚠HUOMIO:

- Kun katkaiset, irrota halkaisuohjain pöydästä.
- Tue pitkät ja suuret kappaleet asianmukaisesti, jos ne ulottuvat katkaistaessa pöydän sivujen yli. Tuen tulee olla samalla korkeudella kuin pöydän.
- Pidä kädet aina poissa terän tieltä.

Jiiristeikko

Käytä kuvan osoittamiin 4 sahaustyyppiin jiiristeikkoa.

Kuva57

⚠HUOMIO:

- Kiinnitä jiiristeikon nuppi huolellisesti paikalleen.
- Varo työkappaleen luisumista ja kiinnitä se paikalleen etenkin sahatessasi vinoa kulmaa.
- ÄLÄ KOSKAAN pidä kiinni työkappaleen irti sahattavasta osasta.

Jiiristeikon käyttäminen

Kuva58

Siirrä jiiristeikko pöydän paksuihin uriin. Löysennä asteikon nuppia ja aseta haluamasi kulman kohdalle (0° – 60°). Aseta työkappale ohjainta vasten ja syötä varovasti terää kohti.

Puinen apureunus (jiiristeikko)

Kuva59

Asenna jiiristeikkoon apukehikko estääksesi pitkää levyä huojumasta. Kiinnitä pulteilla/muttereilla porattuasi reiät. Kiinnikkeet eivät kuitenkaan saa pistää levyä läpi.

Koneen kantaminen

Kuva60

Varmista, että kone on irrotettu pistorasiasta. Jos konetta on juuri käytetty jiirisahausmuodolla, kiinnitä terä 0° viistekulmaan ja käännä pöytä 0° jiirikulmaan. Laske kahva kokonaan alas ja lukitse se ala-asentoon painamalla rajoitintappi sisään.

Kanna konetta tarttumalla koneen osaan kuvan osoittamalla tavalla.

Kuva61

⚠HUOMIO:

- Kiinnitä aina kaikki liikkuvat osat paikoilleen ennen koneen kantamista.
- Aseta kone aina jiirisahausmuodolle ennen koneen kantamista.
- Varmista, että terän alasuojus C on kiinnitetty koneeseen.

KUNNOSSAPITO

⚠HUOMIO:

- Varmista aina ennen tarkastuksia ja huoltotoimia, että laite on kone on sammutettu ja irrotettu virtalähteestä.
- Älä koskaan käytä bensiiniä, ohentimia, alkoholia tai tms. aineita. Muutoin pinta voi halkeilla tai sen värit ja muoto voivat muuttua.

⚠VAROITUS:

- Varmista aina, että terä on terävä ja puhdas, jotta työskentely sujuisi mahdollisimman hyvin ja turvallisesti.

Sahauskulman säätäminen

Työkalu on huolellisesti asennettu ja kohdistettu tehtaalla, mutta kova käsittely on saattanut vaikuttaa kohdistukseen. Jos työkaluasi ei ole asianmukaisesti kohdistettu, tee seuraavat toimenpiteet:

1. Jiirikulma

Kuva62

Jiirikulman 0° säätöpultit löytyvät neljästä eri paikasta.

Löysennä neljä jiirikulman 0° säätöpulttia kääntämällä vastapäivään pöydän alta.

Laske kahva kokonaan alas ja lukitse se ala-asentoon vetämällä ja kiertämällä rajoitintappia 90° kulmaan myötäpäivään. Tasaa terän reuna ohjaimen tason kanssa kolmikulman, vastekulmakon tms. avulla. Kiristä sitten alivarren neljä säätöpulttia tiukasti pöydän alta. Varmista, että osoitin osoittaa 0°

jiiristeikolla. Säädä muussa tapauksessa osoittimen asento löysentämällä osoittimen kiinnittävä ruuvi. Kiristä ruuvi säädettyäsi.

Kuva63

2. Kallistuskulma

Kuva64

(1) 0° kallistuskulma

Laske kahva kokonaan alas ja lukitse se alaaseentoon vetämällä ja kiertämällä rajoitintappia 90° kulmaan myötäpäivään. Löysennä koneen takana oleva vipu.

Käännä pöydän alta alivarren oikealla puolella olevaa 0° viistekulman säätöpulttia kolme kierrosta vastapäivään kääntääksesi terää oikealle.

Tasaa terän syrjä varovasti kääntöpöydän yläpinnan kanssa kolmikulman, vastekulmakon tms. avulla kääntämällä 0° viistekulman säätöpulttia myötäpäivään.

Kuva65

Varmista, että kääntöpöydän osoitin osoittaa 0° varren viistekulman asteikolla. Löysennä muussa tapauksessa osoittimen kiinnittävä ruuvi ja säädä osoitinta siten, että se osoittaa 0°.

Kuva66

(2) 45° kallistuskulma

Säädä 45° viistekulma vasta säädettyäsi 0° viistekulman. Säädä vasemmanpuoleinen 45° viistekulman löysentämällä vipu ja kääntämällä terä kokonaan vasemmalle. Varmista, että varren osoitin osoittaa 45° varren viisteasteikolla. Jos osoitin ei osoita 45°, käännä pöydän alta apuvarren vasemmalla puolella olevaa 45° viistekulman säätöpulttia, kunnes osoitin osoittaa 45°.

Hiiliharjojen vaihtaminen

Kuva67

Irrota ja tarkista hiiliharjat säännöllisesti. Vaihda uusiin, kun ne ovat kuluneet rajamerkkiin saakka. Pidä hiiliharjat puhtaina ja vapaina liukumaan pitimissään. Molemmat hiiliharjat on vaihdettava samalla kertaa. Käytä vain keskenään samanlaisia hiiliharjoja. Irrota hiiliharjat kannet ruuvitalalla. Poista kuluneet hiiliharjat, aseta uudet harjahielet paikalleen ja kiinnitä hiiliharjojen kansi paikalleen.

Kuva68

Käytön jälkeen

- Pyyhi koneeseen tarttuneet lastut ja roskat käytön jälkeen kankaalla tai vastaavalla varmistaaksesi koneen säilymisen toimintakunnossa mahdollisimman pitkään. Pidä teräsuojukset puhtaina aiemmin selostetun kohdan "Teräsuojus" mukaisesti. Voitele liukuvat osat koneöljyllä estääksesi ruostumisen.

Koneen TURVALLISUUDEN ja LUOTETTAVUUDEN säilyttämiseksi korjaukset sekä muut huoltotoimet ja säädöt on jätettävä Makitan valtuuttaman huollon tehtäväksi käyttäen aina Makitan alkuperäisiä varaosia.

LISÄVARUSTEET

△HUOMIO:

- Näitä lisävarusteita ja -laitteita suositellaan käytettäväksi tässä ohjekirjassa mainitun Makitan koneen kanssa. Minkä tahansa muun lisävarusteen tai -laitteen käyttäminen voi aiheuttaa loukkaantumista. Käytä lisävarusteita ja -laitteita vain niiden käyttötarkoituksen mukaisesti.

Jos tarvitset apua tai yksityiskohtaisempia tietoja seuraavista lisävarusteista, ota yhteys paikalliseen Makitan huoltoon.

- Teräs- ja karbidikärkiset sahanterät
- Kappalepuristin
- Kuusioavain 6
- Pölypussi
- Kolmikulma
- Pölysuojus (Terän alasuojus C)
- Työntöpuikko
- Ohjaimen asennussarja (Halkaisuohjain)
- Jiiristeikko
- Kiinnityslevy (3 kpl)
- Kuusiopultti (3 kpl)
- Kulmakappale
- Yläsuojuksen asennussarja (Terän yläsuojus)

HUOMAUTUS:

- Jotkin luettelossa mainitut varusteet voivat sisältyä työkalun toimitukseen vakiovarusteina. Ne voivat vaihdella vaintain.

LATVIEŠU (oriģinālās instrukcijas)

- 1-1. Noregulēšanas uzgrieznis
- 1-2. Balsts
- 2-1. Seššķautņu skrūve
- 2-2. Fiksējošā plāksne
- 3-1. U veida rievās
- 4-1. Apakšējais asmens aizsargs A
- 4-2. Apakšējais asmens aizsargs B
- 5-1. Apakšējais asmens aizsargs C (lietojot leņķzāģa režīmā)
- 6-1. Spiežampoga
- 6-2. Šķeļošais nazis
- 6-3. Augšējais asmens aizsargs (lieto galda zāģa režīmā)
- 7-1. Pagriežamās pamatnes augšējā virsma
- 7-2. Asmens perifērija
- 7-3. Vadotnes ierobežotājs
- 8-1. Apakšējās robežas aizturis
- 8-2. Regulēšanas bultskrūve
- 8-3. Uzgrieznis
- 9-1. Spīlējuma skrūve
- 9-2. Vadotnes ierobežotājs
- 10-1. Rokturis
- 10-2. Pagriežamais galds
- 11-1. Svira
- 12-1. Rokturis
- 13-1. Svira
- 13-2. Zāģēšanas dziļuma regulēšanas rokturis
- 14-1. Slēdzis leņķzāģa režīmam
- 14-2. Slēdzis galda zāģa režīmam
- 14-3. Atbloķēšanas poga
- 14-4. Slēdža mēlīte
- 14-5. Rokturis
- 14-6. Svira
- 14-7. On (ieslēgts) poga
- 14-8. Off (Izslēgts) poga
- 15-1. Zāģēšanas dziļuma regulēšanas rokturis
- 16-1. Aiztura tapa
- 17-1. Sešstūra atslēga
- 17-2. Uzgriežņu atslēgas tureklis
- 18-1. Seššķautņu padziļinājuma bultskrūve
- 18-2. Sešstūra atslēga
- 18-3. Vārpstas bloķētājs
- 19-1. Svira
- 19-2. Pacelšanas svira
- 20-1. Zāģa asmens
- 20-2. Apakšējais asmens aizsargs B
- 21-1. Asmens korpus
- 21-2. Bultiņa
- 21-3. Zāģa asmens
- 21-4. Bultiņa

Kopskata skaidrojums

- 22-1. Seššķautņu padziļinājuma bultskrūve
- 22-2. Ārējais atloks
- 22-3. Zāģa asmens
- 22-4. Iekšējais atloks
- 22-5. Vārpsta
- 22-6. Gredzens
- 23-1. Spīlējuma uzgrieznis
- 23-2. Seššķautņu padziļinājuma bultskrūve
- 23-3. Šķeļošais nazis
- 24-1. Šķeļošais nazis
- 24-2. Zāģa asmens
- 25-1. Asmens platums
- 25-2. Šķeļošais nazis
- 25-3. Seššķautņu padziļinājuma bultskrūve
- 26-1. Garenzāģēšanas ierobežotāja tureklis
- 26-2. Vadotnes sliede
- 26-3. Spīlējuma skrūve (A)
- 26-4. Spīlējuma skrūve (B)
- 26-5. Zāģējuma vadotne
- 27-1. Zāģējuma vadotne
- 27-2. Garenzāģēšanas ierobežotāja tureklis
- 27-3. Savietojamā līnija: līnija (A)
- 27-4. Zāģa asmens
- 27-5. Augšējais galds
- 27-6. Apstrādājama materiāls
- 28-1. Zāģējuma vadotne
- 28-2. Garenzāģēšanas ierobežotāja tureklis
- 28-3. Zāģa asmens
- 29-1. Zāģējuma vadotne
- 29-2. Garenzāģēšanas ierobežotāja tureklis
- 29-3. Kvadrātuzgrieznis
- 29-4. Spīlējuma skrūve (A)
- 29-5. Spīlējuma skrūve (B)
- 30-1. Skala
- 31-1. Zāģējuma vadotne
- 31-2. Garenzāģēšanas ierobežotāja tureklis
- 31-3. Regulēšanas skrūve
- 32-1. Zāģējuma vadotne
- 32-2. Zāģa asmens
- 32-3. Augšējais asmens aizsargs
- 33-1. Leņķveida mērinstrumenta ierobežotājs
- 33-2. Leņķveida mērinstruments
- 33-3. Rievās
- 34-1. Putekļsūcēja uzgalis
- 34-2. Putekļu maiss
- 35-1. Putekļu maiss
- 35-2. Stiprinājums
- 37-1. Putekļsūcēja uzgalis
- 37-2. Lokveida savienojums
- 39-1. Skrūvspīļu rokturis
- 39-2. Skrūvspīļu stienis
- 39-3. Spīlējuma skrūve
- 39-4. Skrūvspīļu kļoklis
- 39-5. Vadotnes ierobežotājs
- 40-1. Spīlējuma skrūve
- 40-2. Vadotnes ierobežotājs
- 41-1. Svira
- 42-1. Apakšējās robežas aizturis
- 42-2. Regulēšanas bultskrūve
- 43-1. Spīlējuma skrūve
- 44-1. Aiztura tapa
- 45-1. Zāģa galva nobloķēta viszemākajā stāvoklī
- 46-1. Svira
- 46-2. Rokas/pirkstu novietošanai paredzēta vieta uz sviras
- 46-3. Āķu daļas
- 47-1. Spiežampoga
- 47-2. Šķeļošais nazis
- 47-3. Augšējais asmens aizsargs (lieto galda zāģa režīmā)
- 48-1. Aiztura tapa
- 49-1. Skrūvspīles (piederums)
- 50-1. Skrūvspīles (piederums)
- 51-1. Skrūvspīles
- 51-2. Starplikas bloks
- 51-3. Vadotnes ierobežotājs
- 51-4. Alumīnija profils
- 51-5. Starplikas bloks
- 52-1. Paralēli priekšpusei/malai
- 54-1. Bīdstienis
- 55-1. Palīgierobežotājs
- 56-1. Bīdīšanas bloks
- 56-2. Palīgierobežotājs
- 57-1. Šķērszāģēšana
- 57-2. Leņķzāģēšana
- 57-3. Stīpleņķa zāģēšana
- 57-4. Kombinētā leņķzāģēšana (leņķī)
- 58-1. Rievās
- 58-2. Leņķveida mērinstruments
- 58-3. Rokturis
- 60-1. Aiztura tapa
- 61-1. Darbarīka pārnēsāšanai paredzēta daļa
- 63-1. Leņķmērs
- 63-2. Zāģa asmens
- 63-3. Vadotnes ierobežotājs
- 64-1. 0° leņķa regulēšanas bultskrūve

64-2. 45° leņķa regulēšanas bultskrūve
 65-1. Leņķmērs
 65-2. Zāģa asmens
 65-3. Pagriežamā galda augšējā virsma

66-1. Kloķis
 66-2. Slīpleņķa skala
 66-3. Rādītājs
 66-4. Pagriežamais galds

67-1. Robežas atzīme
 68-1. Sukas turekļa vāks
 68-2. Skrūvgriezis

SPECIFIKĀCIJAS

Modelis	LF1000
Asmens diametrs	260 mm
Asmens korpusa biezums	1,8 mm - 2,0 mm
Šķelšanas naža biezums	2,2 mm
Cauruma diametrs	
Eiropas valstīm	30 mm
Maks. zāģēšanas ietilpība (A x P) ar asmeni 260 mm diametrā leņķzāģa režimā	

Slīpais leņķis	Zāģēšanas leņķis
0°	20 mm x 180 mm 68 mm x 155 mm
45° (pa kreisi)	50 mm x 150 mm

Maks. zāģēšanas ietilpība 90° leņķī galda zāģa režimā (darba galda režimā)	70 mm
Tukšgaitas ātrums (min ⁻¹)	2 700
Galda izmērs (P x G)	500 mm x 555 mm
Gabarīti (G x P x A1(piezīme 1)/A2(piezīme 2)) leņķzāģa režimā	660 mm x 650 mm x 1 220 mm / 800 mm
leņķzāģa režimā	660 mm x 650 mm x 1 060 mm / 845 mm
Neto svars	36 kg
Drošības klase	II/III

Piezīme1 A1: augstums līdz darbarīka galviņai







Piezīme2 A2: augstums līdz galdam

- Dēļ mūsu nepārtrauktās pētniecības un izstrādes programmas, šeit dotās specifikācijas var mainīties bez brīdinājuma.
- Atkarība no valsts specifikācijas var atšķirties.
- Svārs atbilstoši EPTA-Procedure 01/2003

END213-8

Simboli

Zemāk ir attēloti simboli, kas attiecas uz iekārtu. Pirms darbarīka izmantošanas pārlicinieties, vai pareizi izprotat to nozīmi.

-  Izlasiet rokasgrāmatu.
-  DUBULTA IZOLĀCIJA
-  Lai izvairītos no atlecošiem gruziem, turpiniet turēt zāģa augšdaļu uz leju līdz asmens ir pilnībā apstājies.
-  Neturiet roku vai pirkstus asmens tuvumā.
-  Personīgai drošībai pirms sākt darbu no galda virsmas noņemiet šķembas, sīkus pārpalikumus u.c.
-  Pirms darbarīka apgriešanas ap savu asi atvienojiet to no elektrotīkla.



- Pārņēšot novietojiet rokas pareizi.



- Uzstādot vai noņemot garenisko barjeru, neceliet tās augšgalu.



- Lai atskrūvētu skrūvi, to pagrieziet pulksteņrādītāja virzienā.



- Tikai ES valstīm
Neizmest elektrisko aprīkojumu sadzīves atkritumos!
Saskaņā ar Eiropas direktīvu par lietotajām elektroiekārtām un elektronikas iekārtām un tās iekļaušanu valsts likumdošanā lietotais elektriskais aprīkojums jāsavāc atsevišķi un jānogādā otrreizējai pārstrādei vidi saudzējošā veidā.

ENE061-1

Paredzētā lietošana

Šis darbarīks ir paredzēts precīziem taisniem un slīpiem iegriezumiem kokā. Darbarīku var izmantot gan leņķzāģa režimā, gan galda zāģa režimā, galdus apgriežot ap savu asi.

Strāvas padeve

Darbarīks jāpievieno tikai tādai strāvas padevei, kuras spriegums ir tāds pats, kā norādīts uz plāksnītes ar nosaukumu, un to var ekspluatēt tikai ar vienfāzes maiņstrāvas padevi. Darbarīks aprīkots ar divkāršo izolāciju, tādēļ to var izmantot arī, pievienojot kontaktligzdai bez iezemējuma vada.

ENG905-1

Troksnis

Tipiskais A-svērtais trokšņa līmenis ir noteikts saskaņā ar EN61029:

Skaņas spiediena līmenis (L_{pA}): 91 dB (A)

Skaņas jaudas līmenis (L_{WA}): 108 dB (A)

Neskaidrība (K): 3 dB (A)

Lietojiet ausu aizsargus

ENG900-1

Vibrācija

Vibrācijas kopējā vērtība (trīs asu vektora summa) noteikta saskaņā ar EN61029:

Vibrācijas emisija (a_h): 2,5 m/s² vai mazāk

Neskaidrība (K): 1,5 m/s²

ENG901-1

- Paziņotā vibrācijas emisijas vērtība noteikta atbilstoši standarta pārbaudes metodei un to var izmantot, lai salīdzinātu vienu darbarīku ar citu.
- Paziņoto vibrācijas emisijas vērtību arī var izmantot iedarbības sākotnējā novērtējumā.

△BRĪDINĀJUMS:

- Reāli lietojot mehānizēto darbarīku, vibrācijas emisija var atšķirties no paziņotās emisijas vērtības atkarībā no darbarīka izmantošanas veida.
- Lai aizsargātu lietotāju, nosakiet drošības pasākumus, kas pamatoti ar iedarbību reālos darba apstākļos (ņemot vērā visus ekspluatācijas cikla posmus, piemēram, laiku, kamēr darbarīks ir izslēgts un kad darbojas tukšgaitā, kā arī palaišanas laiku).

ENH003-15

Tikai Eiropas valstīm**EK Atbilstības deklarācija****Makita paziņo, ka šāds instruments(-i):**

Darbarīka nosaukums:

Divpusējs kombinētais zāģis

Modeļa Nr./ tips: LF1000

Atbilst sekojošām Eiropas Direktīvām:

2006/42/EC

Ražots saskaņā ar šādu standartu vai normatīvajiem dokumentiem:

EN61029

Tehniskā lieta atbilstīgi 2006/42/EK ir pieejama:

Makita, Jan-Baptist Vinkstraat 2, 3070, Beļģija



000331

Yasushi Fukaya

Direktors

Makita, Jan-Baptist Vinkstraat 2, 3070, Beļģija

GEA010-1

Vispārējie mehānizēto darbarīku drošības brīdinājumi

△ **BRĪDINĀJUMS** Izlasiet visus drošības brīdinājumus un visus norādījumus. Brīdinājumu un norādījumu neievērošanas gadījumā var rasties elektriskās strāvas trieciens, ugunsgrēks un/vai nopietnas traumas.

Glabājiet visus brīdinājumus un norādījumus, lai varētu tajos ieskatīties turpmāk.

ENB094-6

DIVPUSĒJĀ KOMBINĒTĀ ZĀGA DROŠĪBAS BRĪDINĀJUMI**LEŅKZĀGA UN GALDA ZĀGA (SOLA) REŽĪMAM:**

1. Pirms darba veikšanas uzmanīgi pārbaudiet, vai asmenim nav plaisu vai deformāciju. Nekavējoties nomainiet bojātu asmeni.
2. Neizmantojiet zāģi, ja nav uzstādīti aizsargi un šķeļošais nazis, jo sevišķi pēc režīma maiņas. Pirms katras izmantošanas pārbaudiet, vai asmens aizsargi ir kārtīgi aizvērti. Neestrādājiet ar zāģi, ja asmens aizsargi nekustas brīvi un uzreiz neaizveras. Nekad nenostipriniet un nepiesieniet asmens aizsargus atvērtā pozīcijā. Nekavējoties jāizlabo jebkura asmens aizsargu nepareiza darbība.
3. Lietojiet tikai tādus zāģa asmeņus, ko ir ieteicis ražotājs un kas atbilst EN847-1. Zāģēšanas rievās platumam jābūt biežākam nekā šķeļošajam nazim, un asmens korpusam jābūt plānākam nekā šķeļošajam nazim.
4. Neizmantojiet asmeņus, kas ražoti no ātrgriezīga tērauda.
5. Lietojiet acu aizsargus.
6. Lai mazinātu dzirdes zuduma risku, lietojiet dzirdes aizsarglīdzekļus.
7. Darbam ar zāģa asmeņiem (kad iespējams, zāģa asmeņi jānes turētājā) un nelīdzenu materiālu izmantojiet cimdus.
8. Zāģējot ar darbarīku, tam pievienojiet putekļu savācēju.
9. Vienmēr, kad neizmantojiet nūju grūšanai, glabājiet to savā vietā.

10. Grīdas virsmu darbarīka tuvumā uzturiet kārtībā un attīriet no nokritušiem materiāliem, piemēram, šķembām un nogrieztajiem gabaliem.
11. Operatoram jābūt atbilstoši apmācītam lietot, regulēt un strādāt ar darbarīku.
12. Apturiet zāģi un atvienojiet to no elektrības, kad atstājat to bez uzraudzības.
13. Lai mazinātu radušos troksni, vienmēr pārliedzieties, vai asmens ir ass un tīrs.
14. Izmantojiet tikai tādas zāģa asmeņus, kas ir marķēti ar maksimālo ātrumu, kas ir tāds pats vai lielāks kā uz darbarīka norādītais ātrums bez slodzes.
15. Nekad neaizvāciet atgriezumus vai citu apstrādājamā materiāla daļu no zāģēšanas zonas, kamēr darbarīks darbojas ar neaizsargātu zāģa asmeni.
16. Darbarīku nevar izmantot dobšanai, ierīvošanai vai rīvošanai.
17. Uzmanieties, lai pirms asmens uzstādīšanas vai tās laikā nesabojātu vārpstu, atlokus (it īpaši uzstādīšanas virsmu) un stiprinājuma skrūvi, kā arī tos notīriet. Šo daļu bojājums var izraisīt asmens salūšanu. Nepareiza uzstādīšana var radīt asmens vibrāciju/svārstības vai izslīdi. Izmantojiet tikai šim darbarīkam paredzētus atlokus.
18. Vienmēr izmantojiet piederumus, kas norādīti šajā rokasgrāmatā. Neņemiet vērā piederumu, piemēram, abrazīvo griezējripu, izmantošana var izraisīt ievainojumu.
19. Zāģa asmeni izvēlieties atbilstoši zāģējamam materiālam.
20. Negrieziet metāla objektus, piemēram, naglas un skrūves. Pirms sākt darbu pārbaudiet, vai apstrādājamā materiālā nav naglas, skrūves un citi svešķermeņi, un tos izņemiet.
21. PIRMS sākt griezt no apstrādājamā materiāla izsitiet visus vajīgos zarus.
22. Nelietojiet darbarīku viegli izliesmojošu šķidrums un gāzu tuvumā.
23. Personīgai drošībai pirms darbarīka pievienošanas kontaktligzdai un pirms sākt darbu no darba vietas un galda virsmas noņemiet šķembas, sikas pārpalikumus u.c.
24. Netuviniet rokas zāģa asmenim, kā arī nelaujiet tuvumā esošajām personām nokļūt zāģa asmens trajektorijā un tā tuvumā un pats izvairieties no tā. Neskarieties pie asmens, kas kustas pēc inerces. Tas vēl joprojām var izraisīt smagu ievainojumu. Nekad nesniedzieties pāri zāģa asmenim.
25. Vienmēr esiet uzmanīgi, it īpaši vienmuļa, monotona darba laikā. Nepalūdzieties uz maldīgu drošības sajūtu. Asmens var nodarīt smagu kaitējumu.
26. Pirms slēdža ieslēgšanas pārliedzieties, vai vārpstas bloķētājs ir atlaists.
27. Pirms sākt darbarīku lietot ar apstrādājamā materiālu, neilgi darbiniet to bez slodzes. Pievērsiet uzmanību vibrācijai vai svārstībām, jo tas var liecināt par nepareizu uzstādīšanu vai slikti līdzsvarotu asmeni.
28. Pirms griešanas pagaidiet, kamēr asmens uzņem pilnu ātrumu.
29. Neņemiet nost atgriezumus vai citas apstrādājamā materiāla daļas no griešanas zonas, kamēr darbarīks darbojas un zāģa galva nav brīvā stāvoklī.
30. Nekavējoties pārtrauciet darbu, ja ievērojat novirzes.
31. Pirms pārvietot apstrādājamo materiālu vai mainīt iestatījumus izslēdziet darbarīku un pagaidiet, kamēr asmens apstājas.
32. Pirms asmens nomaiņas vai apkopes, kā arī kad neizmantojat darbarīku, to atvienojiet no elektrotīkla.
33. Darba gaitā dažu veidu radušos putekļu sastāvā ir ķīmiskās vielas, kas var izraisīt vēzi, iedzimumu slimības vai cita veida reproduktīvu kaitējumu. Šādas ķīmiskās vielas var būt:
 - svins no materiāla, kas izgatavots no krāsota svina un
 - arsēns un hroms no ķīmiski apstrādātiem zāģmateriāliem.

Risks jūsu veselībai palielinās atkarībā no tā, cik bieži jūs veicat šāda veida darbu. Lai samazinātu šo ķīmisko vielu iedarbību: strādājiet labi vēdinātā darba vietā un ar apstiprinātiem drošības piederumiem, piemēram, putekļu maskām, kas ir speciāli paredzētas, lai izfiltrētu mikroskopiskas daļiņas.
34. Pirms galda apgriešanas pārliedzieties, vai galds ir cieši nostiprināts ar sviru.

IZMANTOJOT LENĶZĀĢA REŽĪMĀ:

35. Neizmantojiet zāģi, lai grieztu citus materiālus, kas nav līdzīgi kokam vai alumīnijam.
36. Nekad neveiciet nevienu darbību, turot apstrādājamo materiālu rokā. Apstrādājamajam materiālam visu darbību veikšanas laikā jābūt ar skrūvspīlēm cieši nostiprinātam pret grozāmo galdu un vadotnes ierobežotāju. Nekad neturiet apstrādājamo materiālu ar roku.
37. Pirms katras zāģēšanas reizes pārbaudiet, vai darbarīks ir stabils.
38. Atbalstiet garu apstrādājamo materiālu ar atbilstošiem papildu atbalstiem.
39. Nekad nezāģējiet tik mazu apstrādājamo materiālu, ka to nevar cieši nostiprināt skrūvspīlēs. Nepareizi nostiprināts apstrādājamo materiāls var izraisīt atslīdenu un nopietnus ievainojumus.

40. Pārliecinieties, vai pagriežamais galds ir pareizi nostiprināts un darba laikā nekustēsies.
41. Veicot noslīpināšanu, pārliecinieties, vai strēle ir cieši nostiprināta. Pagrieziet sviru pulksteņrādītāja virzienā, lai nostiprinātu strēli.
42. Pirms slēdža ieslēgšanas pārliecinieties, vai zemākajā stāvoklī asmens nesaskaras ar pagriežamo galdū un nepieskaras apstrādājamam materiālam.
43. Rokturi turiet cieši. Ievērojiet, ka zāģis, uzsākot darbu un apstājoties, nedaudz pavirzās uz augšu vai uz leju.

IZMANTOJOT GALDA ZĀGA (SOLA) REŽĪMĀ:

44. Nekad neveiciet nevienu darbu, turot apstrādājamo materiālu rokā. Tas nozīmē, ka apstrādājamo materiālu atbalstāt vai virzīt ar rokām, nevis ar garenisko barjeru.
45. Pārliecinieties, vai pagriežamais galds ir cieši nostiprināts.
46. Pārliecinieties, vai strēle ir cieši nostiprināta darba stāvoklī. Pagrieziet sviru pulksteņrādītāja virzienā, lai nostiprinātu strēli.
47. Lai nevajadzētu rokas un pirkstus tuvināt zāģa asmenim, grūšanai izmantojiet nūju vai kluci.
48. Pirms slēdža ieslēgšanas pārliecinieties, vai asmens nepieskaras šķelšanas nazim vai apstrādājamam materiālam.
49. Īpašu uzmanību pievēršiet instrukcijām, lai mazinātu ATSIETIENA risku. ATSIETIENS ir pēkšņa pretkustība pēc zāģa asmens iesprūšanas, ieķīlēšanās vai nepareizas novietošanās. ATSIETIENS liek apstrādājamam materiālam atlēkt no darbarīka operatora virzienā. ATSIETIENS VAR IZRAISĪT SMAGU IEVAINOJUMU. Izvairieties no ATSIETIENIEM, rūpējoties, lai asmens būtu ass un gareniskā barjera paralēla asmenim un lai šķelšanas nazis un asmens aizsargs būtu savā vietā un pareizi darbotos, kā arī neatlaižot apstrādājamo materiālu, kamēr neesat to aizvirzījis pilnībā garām asmenim un nezāģējot gareniski apstrādājamo materiālu, kas ir saspiests vai sametis vai kam nav taisna mala, kuru var virzīt gar barjeru.
50. Izvairieties no asas, straujas pievades. Griežot cietu apstrādājamo materiālu, to pievadiet pēc iespējas lēnāk. Pievadot materiālu, to nesalieciet un nesalokiet. Ja asmens apstrādājamā materiālā apstājas vai iesprūst, nekavējoties izslēdziet darbarīku. Atvienojiet darbarīku no elektrotīkla. Pēc tam novērsiet iesprūdumu.
51. Pirms darbarīka apgriešanas vienmēr pārliecinieties, vai sprūdtapa ir cieši nobloķējusi darbarīka galvu zemākajā stāvoklī.

△BRĪDINĀJUMS:

NEZAUDĒJIET modrību darbarīka lietošanas laikā (tas var gadīties pēc darbarīka daudzkārtējas izmantošanas), rūpīgi ievērojiet urbšanas drošības noteikumus šim izstrādājumam. **NEPAREIZAS LIETOŠANAS** vai šīs rokasgrāmatas drošības noteikumu neievērošanas gadījumā var gūt smagas traumas.

UZSTĀDĪŠANA

△UZMANĪBU:

Rūpējieties, lai grīdas laukums visapkārt darbarīka zonai būtu labā kārtībā un lai uz tā nebūtu izbiruši tādi materiāli kā skaidas un atgriezumi.

Galda uzstādīšana

Pilnībā izstiepjot balstus, uzstādiet kā augsto galdū.

Ja darbarīku nevar stabili uzstādīt, pagrieziet darbarīka balsta regulēšanas uzgriezni, lai atbilstoši nostabilizētu. Skatoties no augšpuses, pagrieziet pretēji pulksteņrādītāja virzienam, lai saīsinātu balsu garumu, bet, lai to pagarinātu, - pulksteņrādītāja virzienā. Kad galds ir noregulēts, pārbaudiet, vai tas ir stabils.

Att.1

Ar seššķautņu bultskrūvēm uz trim balstiem uzstādiet fiksēšanas plāksnes, to leņķveida galu vērst uz āru. Pieskrūvējiet darbarīku ar trim skrūvēm, izmantojot tām paredzētos caurumus fiksēšanas plāksnēs, uz līdzenas un stabilas virsmas.

Att.2

Salokot balstus, uzstādiet kā zemo galdū.

Att.3

Kad darbarīks ir sagatavots salocītu balstu stāvoklī, nostipriniet to, izmantojot zīmējumā redzamās U veida rievās.

SAGLABĀJIET ŠOS NORĀDĪJUMUS.

FUNKCIJU APRAKSTS

⚠UZMANĪBU:

- Pirms regulējat vai pārbaudāt instrumenta darbību, vienmēr pārliecinieties, vai instruments ir izslēgts un atvienots no barošanas.

Asmens aizsargs

Att.4

Att.5

Att.6

⚠UZMANĪBU:

- Pārbaudiet, vai rokturi nav iespējams nolaist uz leju, nepavirzot pa kreisi blakus tam esošo sviru.
- Pārbaudiet, vai apakšējais asmens aizsargs A neatveras, ja vien sviru, kas atrodas pie roktura, nenospiež roktura augšējā pozīcijā.
- Pārbaudiet, vai apakšējais asmens aizsargs C ir uzstādīts pirms izmantošanas leņķzāģa režīmā.

Nolaizot zemāk rokturi, tajā pašā laikā virzot sviru pa kreisi, apakšējais asmens aizsargs A pacelsies automātiski. Apakšējais asmens aizsargs B paceļas, saskaroties ar apstrādājamo materiālu. Apakšējie asmens aizsargi ir nospriegoti ar atsperi tā, ka tie atgriežas sākotnējā stāvoklī, kad zāģēšana ir pabeigta un rokturis ir pacelts. Kad apstrādājama materiāls ir pavirzīts zem augšējā asmens aizsarga, tas līdzīgi novietojas uz galda virsmas. **NEKAD NEIZJAUCIET UN NENOŅĒMIET APAKŠĒJOS ASMENS AIZSARGUS, ATSPERI, KAS PIESTIPRINĀTA APAKŠĒJAM VAI AUGŠĒJAM ASMENS AIZSARGAM, izņemot turpmāk norādītajā gadījumā.**

Jūsu pašu drošībai vienmēr rūpējieties, lai visi asmens aizsargi būtu labā stāvoklī. Nekavējoties jāizlabo jebkura aizsargu nepareiza darbība. Pārbaudiet, vai apakšējo asmens aizsargu atsperes nospriegojuma darbība ir pareiza. **NEKAD NEEKSPLUATĒJIET DARBARĪKU, JA APAKŠĒJAIS ASMENS AIZSARGS, ATSPERE VAI AUGŠĒJAIS ASMENS AIZSARGS IR BOJĀTS, AR DEFEKTIEM VAI IR NOŅEMTS, izņemot turpmāk norādītajā gadījumā. ŠĀDA RĪCĪBA IR ĻOTI BĪSTAMA, KĀ REZULTĀTĀ VAR RADĪT NOPIETNUS IEVAINOJUMUS.**

PIEZĪME:

- Aizsargu noņemšanai pastāv šādi izņēmumi. Apakšējo asmens aizsargu C noņem, tikai ekspluatējot galda zāģa režīmā. Augšējo asmens aizsargu C noņem, tikai ekspluatējot leņķzāģa režīmā.

Ja kāds no šiem caurspīdīgajiem asmens aizsargiem kļūst netīrs vai tam ir pielipušas tik daudz zāģu skaidas, ka asmens ir ar grūtībām saskatāms, atvienojiet zāģi no barošanas avota un ar mitru lupatiņu rūpīgi notīriet aizsargus. Tīrot plastmasas aizsargu, nelietojiet šķīdinātājus vai tīrītājus uz naftas produktu bāzes.

Ja apakšējais asmens aizsargs A ir īpaši netīrs un redzamība caur to ir pasliktināta, rīkojoties šādi. Paceliet rokturi līdz galam. Noņemiet zāģa asmeni (skat. sadaļu "Zāģa asmens noņemšana vai uzstādīšana"). Paceliet apakšējo asmens aizsargu A, tajā pašā laikā virzot sviru pa kreisi. Kad apakšējais asmens aizsargs A ir šādi novietots, iespējams veikt tīrīšanu daudz labāk un efektīvāk. Kad tīrīšana ir pabeigta, rīkojieties pretēji iepriekš minētajai procedūrai un pieskrūvējiet bultskrūvi. Šajā pašā gadījumā ar augšējo asmens aizsargu, kā iepriekš minēts, iespaidiet tā priekšpusē esošo pogu līdz virsmas augšpusei un noņemiet šo aizsargu. Kad tīrīšana ir pabeigta, vienmēr uzstādiat to cieši atpakaļ.

Ja kāds no šiem asmens aizsargiem laika gaitā vai ultravioletā starojuma iedarbībā zaudē krāsu, pieprasiet Makita apkopes centrā jaunu aizsargu. **NEIZJAUCIET UN NENOŅĒMIET AIZSARGUS**

Maksimālās zāģēšanas jaudas saglabāšana

Att.7

Šis darbarīks ir rūpnīcā noregulēts tā, lai nodrošinātu maksimālo zāģēšanas jaudu 260 mm zāģa asmenim. Uzstādot jaunu asmeni, vienmēr pārbaudiet tā zemāko robežatzīmes stāvokli un, ja vajadzīgs, noregulējiet to šādi:

⚠UZMANĪBU:

- Šādi regulējot, atvienojiet darbarīku no elektrotīkla. Sākumā atvienojiet darbarīku no elektrotīkla. Nolaiziet rokturi uz leju līdz galam. Ar uzgriežņu atslēgu pagrieziet regulēšanas bultskrūvi, līdz asmens perifērija nedaudz ir izvērsta zem pagriežamā galda augšējās virsmas vietā, kur vadotnes ierobežotāja priekšējā daļa saskaras ar pagriežamā galda augšējo virsmu. Kad darbarīks ir atvienots no elektrotīkla, ar roku pagrieziet asmeni līdz galam lejup, turot rokturi, lai pārliecinātos par to, vai asmens nesaskaras ar apakšējo pamatni. Ja nepieciešams, nedaudz pārregulējiet.

⚠UZMANĪBU:

- Kad ir uzstādīts jauns asmens, vienmēr pārbaudiet, vai tas nesaskaras ar apakšējo pamatni, kad rokturis ir līdz galam nolaists uz leju. Šo darbību vienmēr veiciet, atvienojot darbarīku no elektrotīkla.

Šo darbarīku var ekspluatēt ar apakšējo robežu vai bez tās, pavirzot tās aizturi tā, kā attēlōs zīmējumā.

Lai ekspluatētu darbarīku bez apakšējās robežas, pagrieziet aiztura galu pretēji pulksteņrādītāja virzienam. Darbarīka ekspluatācija šādā stāvoklī ir piemērota plata un plāna apstrādājamā materiāla zāģēšanai.

Lai ekspluatētu darbarīku ar apakšējo robežu, pagrieziet aiztura galu pulksteņrādītāja virzienā. Darbarīka ekspluatācija šādā stāvoklī ir piemērota bieza apstrādājamā materiāla zāģēšanai.

Att.8

Zāģēšanas leņķa noregulēšana

Att.9

Att.10

Atskrūvējiet vadotnes ierobežotāja spīlējuma skrūvi, griežot to pretēji pulksteņrādītāja virzienam. Ar rokturi grieziet pagriežamo galdu. Kad rokturis ir pārvietots tādā stāvoklī, kur rādītājs ir vērsts pret vēlamo leņķi uz leņķa skalas, pulksteņrādītāja virzienā cieši pieskrūvējiet spīlējuma skrūvi.

⚠UZMANĪBU:

- Griežot pagriežamo galdu, obligāti paceliet rokturi līdz galam.
- Kad zāģēšanas leņķis ir nomainīts, vienmēr nostipriniet pagriežamo galdu, cieši pieskrūvējot spīlējuma skrūvi.

Slīpā leņķa noregulēšana

Leņķzāģa režīmā

Att.11

Att.12

Lai noregulētu slīpo leņķi, pretēji pulksteņrādītāja virzienam atskrūvējiet sviru, kas atrodas darbarīka aizmugurē. Spiediet rokturi uz kreiso pusi, lai sasvērtu zāģa asmeni, līdz rādītājs ir vērsts pret vēlamo leņķi uz leņķa skalas. Tad pulksteņrādītāja virzienā cieši nostipriniet sviru, lai nofiksētu kloķi.

⚠UZMANĪBU:

- Sasverot zāģa asmeni, obligāti paceliet rokturi līdz galam.
- Kad zāģēšanas leņķis ir nomainīts, vienmēr nostipriniet kloķi, pievelkot sviru pulksteņrādītāja virzienā.

Galda zāģa režīmā

Att.13

Lai noregulētu slīpo leņķi, pretēji pulksteņrādītāja virzienam atskrūvējiet sviru, kas atrodas darbarīka priekšpusē zem galda. Pārvietojiet dziļuma regulēšanas rokturi uz kreiso pusi, lai sasvērtu zāģa asmeni, līdz rādītājs ir vērsts pret vēlamo leņķi uz leņķa skalas. Tad pulksteņrādītāja virzienā cieši nostipriniet sviru, lai nofiksētu kloķi.

Slēdža darbība

Att.14

Slēdzis leņķzāģa režīmā

⚠UZMANĪBU:

- Pirms darbarīka pievienošanas barošanas avotam, vienmēr pārbaudiet, vai slēdža sviriņa darbojas pareizi un pēc atlaišanas atgriežas "OFF" (izslēgts) stāvoklī.
- Ja neekspluatējat darbarīku, noņemiet atbloķēšanas pogu un glabājiet to drošā vietā. Tādējādi novērsīsiet neatļautu darbarīka lietošanu.

- Nevelciet slēdža sviru ar spēku, neiespiežot atbloķēšanas pogu uz iekšu. Rezultātā varat sabojāt slēdzi.

Lai nepieļautu slēdža sviras nejaušu pavilkšanu, darbarīks ir aprīkots ar atbloķēšanas pogu. Lai iedarbinātu darbarīku, nospiediet bloķēšanas sviru uz kreiso pusi, iespiediet atbloķēšanas pogu uz iekšu un pēc tam pavelciet slēdža sviru. Lai apturētu darbarīku, atlaižiet slēdža sviru.

Slēdzis galda zāģa režīmā

⚠UZMANĪBU:

- Pirms ekspluatācijas pārbaudiet, vai darbarīks ir ieslēgts un izslēgts.

Lai iedarbinātu darbarīku, nospiediet ON (I) (ieslēgts) pogu. Lai to apturētu, nospiediet OFF (O) (izslēgts) pogu.

Zāģēšanas dziļuma regulēšana

Att.15

Zāģēšanas dziļumu var regulēt, pagriežot zāģēšanas dziļuma regulēšanas rokturi. Grieziet zāģēšanas dziļuma regulēšanas rokturi pulksteņrādītāja virzienā, lai paceltu asmeni, vai pretēji tam, lai to nolaiestu zemāk.

⚠BRĪDINĀJUMS:

- Lai zāģēšana būtu precīzāka un drošāka, zāģējot plānus materiālus, izmantojiet seklu zāģēšanas dziļumu.

⚠UZMANĪBU:

- Aiztura tapu nav iespējams pagriezt, ja darbarīka galviņa ir nolaiستا pilnībā uz leju. Šajā gadījumā mazliet pagrieziet rokturi pretēji pulksteņrādītāja virzienam, - un aiztura tapu iespējams atbloķēt.

Att.16

Pārslodzes aizsardzības ierīce

- Darbarīkiem paredzēta tikai 200 V vai augstāka strāvas padeve. Lai uzinātu sprieguma diapazonu, skatiet rūpnīcas plāksnīti uz darbarīka.
- Kad slodze darbarīkam pārsniedz pieļaujamās robežas, dzinēja jauda tiek samazināta, lai aizsargātu dzinēju no pārkaršanas. Kad slodze atgriežas pieļaujamajā līmenī, darbarīks atsāk darboties kā parasti.

MONTĀŽA

⚠UZMANĪBU:

- Vienmēr pārliecinieties, vai instruments ir izslēgts un atvienots no barošanas, pirms veicat jebkādas darbības ar instrumentu.

Sešstūra atslēgas uzglabāšana

Att.17

Sešstūra atslēgu uzglabā tā, kā attēlots zīmējumā. Ja vēlaties izmantot sešstūra atslēgu, izvelciet to ārā no turekļa. Pēc sešstūra atslēgas izmantošanas atlieciet to atpakaļ tureklī.

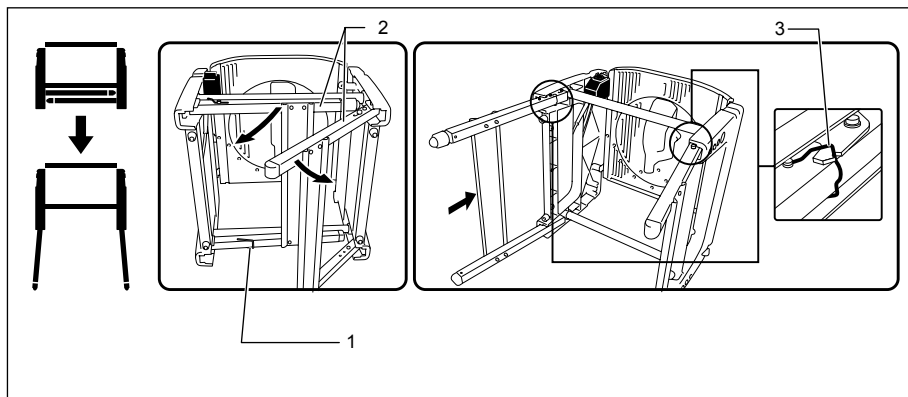
Galda augstuma uzstādīšana divos veidos

Galda augstumu iespējams uzstādīt divos veidos, izveidojot augsto vai zemo galdu.

⚠BRĪDINĀJUMS:

- Pirms sagāzat darbarīku atpakaļ vienmēr iestatiet to leņķzāģa režīmā un nobloķējiet tā galviņu zemākajā stāvoklī.

1. Augstā galda uzstādīšana



1. Āķis
2. Balsti
3. Aiztura āķi

006043

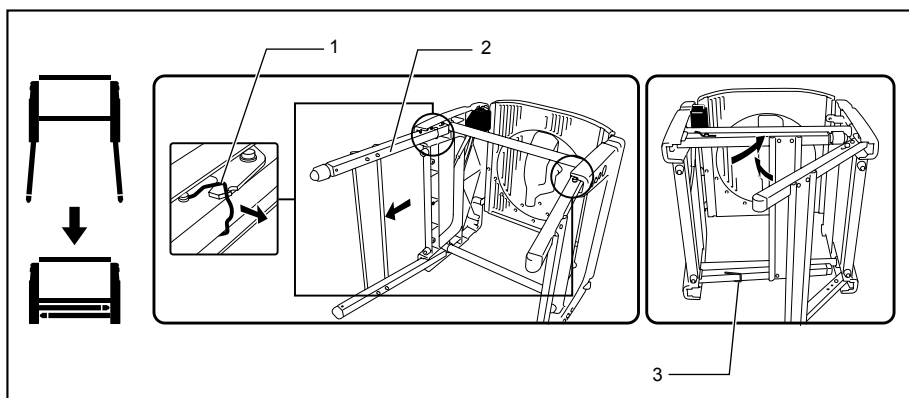
Lai darbarīku uzstādītu kā augsto galdu, rīkojieties šādi.

- (1) Turot darbarīku ar abām rokām, uzmanīgi sagāziet to **ATPAKAĻ**, nenometot to.
- (2) Pagnieziet āķi bultiņas virzienā, kā attēlots zīmējumā, lai atdalītu balstu. Atveriet galda balstu vienā pusē un pabīdiet tā apakšējo stieni uz priekšu līdz galam, līdz tas pats nobloķējas. Pretējās puses balstam veiciet tieši tādas pašas darbības. Pārbaudiet, vai abu pušu balsti ir pilnībā nobloķēti.

⚠BRĪDINĀJUMS:

- Pārbaudiet, vai aiztura āķi ir nevainojami novietoti atbalsta rievā.
- (3) Atgrieziet darbarīku augšupvērstā stāvoklī.

2. Zemā galda uzstādīšana



1. Aiztura āķi
2. Balsti
3. Āķis

006044

Balstus iespējams salocīt, kā attēlots zīmējumā. Lai darbarīku nolocītu uz leju, rīkojieties šādi.

- (1) Turot darbarīku ar abām rokām, uzmanīgi sagāziet to ATPAKAĻ, nenometot to.
- (2) Vispirms pavelciet virzienā pret sevi aizturi, kas atrodas pie savienojuma, lai to atbloķētu.
- (3) Pretējās puses balstam veiciet tieši tādas pašas darbības.
- (4) Šos balstus paslīpiniet kopā ar āķi.
- (5) Atgrieziet darbarīku augšupvērstā stāvoklī.

Zāģa asmens uzstādīšana un noņemšana

⚠UZMANĪBU:

- Pirms asmens uzstādīšanas vai noņemšanas vienmēr pārbaudiet, vai darbarīks ir izslēgts un atvienots no strāvas.
- Asmeni uzstādiat vai noņemiet tikai ar komplektācijā esošo Makita sešstūra atslēgu. Ja tā nerīkosities, seššķautņu padziļinājuma bultskrūve būs pieskrūvēta pārāk cieši vai pārāk vaļīgi. Tādējādi var rasties savainojumu risks.

Pārvietojiet rokturi līdz galam paceltā stāvoklī.

Nospiediet vārpstas bloķētāju, lai nobloķētu vārpstu, un ar sešstūra atslēgu pulkstenrādītāja virzienā atskrūvējiet seššķautņu padziļinājuma bultskrūvi.

Att.18

Paceliet asmens aizsargu A, izmantojot tā pacelšanas sviru, tajā pašā laikā sviru, kas atrodas pie roktura, virzot pa kreisi. Kad asmens aizsargs A ir pacelts, izņemiet seššķautņu padziļinājuma bultskrūvi, ārējo atloku un asmeni.

Att.19

Lai uzstādītu asmeni, uzmanīgi to uzlieciet uz vārpstas, pārbaudot, vai bultiņa uz asmens virsmas ir vērsta tajā pašā virzienā, kādā asmens korpusa bultiņa. Uzstādiat ārējo atloku un seššķautņu padziļinājuma bultskrūvi, un tad ar sešstūra atslēgu pretēji pulkstenrādītāja virzienam cieši pieskrūvējiet seššķautņu padziļinājuma bultskrūvi (kreisās puses), turot nospiestu vārpstas bloķētāju.

Att.20

Att.21

PIEZĪME:

- Uzstādot zāģa asmeni, obligāti to vispirms ievietojiet starp asmens aizsargu B un tad paceliet to tā, lai asmens beigās būtu novietots asmens aizsargā B.

Att.22

⚠UZMANĪBU:

- Gredzens ar ārējo diametru 25,4 mm vai 30 mm ir rūpnīcā uzstādīts uz vārpstas. Pirms asmens uzstādīšanas uz vārpstas vienmēr pārbaudiet, vai uz tās ir uzstādīts pareizais gredzens izmantojamā asmens ass caurumā.

Atgrieziet apakšējo asmens aizsargu A tā sākotnējā stāvoklī. Nolaidiet rokturi, lai pārliecinātos, vai apakšējie asmens aizsargi virzās pareizi. Pirms ekspluatācijas pārbaudiet vai vārpstas bloķētājs ir vārpstu atbloķējis.

Šķeļošā naža regulēšana

Att.23

Starp šķeļošo nazi un asmens zobiem jābūt apmēram 5-6 mm attālumam, pabīdot nazi asmens virzienā līdz galam. Noregulējiet šķeļošo nazi pareizi, vispirms ar roku pretēji pulkstenrādītāja virzienam atskrūvējot spīlējuma uzgriezni, un pēc tam ar sešstūra atslēgu atskrūvējot seššķautņu padziļinājuma bultskrūvi un izmērot attālumu. Kad nazis ir noregulēts, cieši pieskrūvējiet seššķautņu padziļinājuma bultskrūvi un pulkstenrādītāja virzienā – spīlējuma uzgriezni. Pirms zāģēšanas vienmēr pārbaudiet, vai šķeļošais nazis ir nostiprināts un vai augšējais asmens aizsargs darbojas vienmērīgi.

Att.24

Šķeļošais nazis ir uzstādīts rūpnīcā tā, lai asmens un šis nazis atrastos vienā līnijā pēc vienkāršas uzstādīšanas. Lai tos uzstādītu, skat. sadaļu " Šķeļošā naža stāvokļa mainīšana ".

Att.25

⚠UZMANĪBU:

- Ja asmens un šķeļošais nazis nav pareizi savietoti, darba laikā var rasties bīstama saspiešanas riska situācija. Pārbaudiet, vai šķeļošais nazis ir novietots starp abiem asmens zobu ārējiem galiem, skatoties no augšas. Ekspluatējot darbarīku ar nepareizi savietotu šķeļošo nazi, jūs varat gūt nopietnus ievainojumus. Ja kāda iemesla dēļ tie nav savietoti, darbarīks jāsalabo Makita pilnvarotam apkopes centram.
- Regulējot šķeļošā naža attālumus no asmens zobiem, seššķautņu padziļinājuma bultskrūvi vienmēr atskrūvējiet tikai tad, kad atskrūvēts spīlējuma uzgrieznis.

Garenzāģēšanas ierobežotāja uzstādīšana un regulēšana

Att.26

1. Uzstādiat garenzāģēšanas ierobežotāju uz galda tā, lai ierobežotāja tureklis savienotos ar virzošo sliedi. Pulkstenrādītāja virzienā cieši pieskrūvējiet garenzāģēšanas ierobežotāja spīlējuma skrūvi (B).
2. Atskrūvējiet spīlējuma skrūvi (A).
3. Bīdiat garenzāģēšanas ierobežotāju un nostipriniet to tā, lai ierobežotāja tālākais gals no jums būtu savietots ar punktu, kurā zāģa asmens priekšējā mala tik tikko redzama no apstrādājamā materiāla augšējās virsmas. Šis noregulēšanas nolūks ir atsitiena riska mazināšana operatora virzienā, ja nozāģētais materiāla gabals ir iespiests starp zāģa asmeni un garenzāģēšanas ierobežotāju, un beigās izstumts ārā operatora virzienā. Līnija (A) atšķiras atkarībā no apstrādājamā materiāla

biezuma vai galda līmeņa. Noregulējiet garenzāģēšanas ierobežotāja stāvokli atbilstoši apstrādājamā materiāla biežumam.

Kad garenzāģēšanas ierobežotājs ir noregulēts, cieši pieskrūvējiet spīlējuma skrūvi (A).

Att.27

PIEZĪME:

- Pastāv 4 paņēmieni, kā novietot garenzāģēšanas ierobežotāju, kā attēlots zīmējumā. Garenzāģēšanas ierobežotāja malās ir divas spraugas: viena ir ar paceltu apmali tās tuvumā tajā pašā pusē, bet otra - bez tās. Izmantojiet garenzāģēšanas ierobežotāja virsmu, kad tā apmale ir vērsta pret apstrādājamo materiālu, tikai tad, ja nozāģējat gabalu no tieva apstrādājamā materiāla.

Att.28

PIEZĪME:

- Lai mainītu garenzāģēšanas ierobežotāja novietošanas paņēmieni, noņemiet to nost no ierobežotāja turekļa, atskrūvējot spīlējuma skrūvi (A), un mainiet garenzāģēšanas ierobežotāja atloku pret tā turekli tā, lai ierobežotājs būtu vērsts pret šo turekli atbilstoši veicamajam darbam, kā attēlots zīmējumā.

Ievietojiet kvadrātuzgriezni garenzāģēšanas ierobežotāja turekļa aizmugurē jebkurā no ierobežotāja spraugām tā, kā attēlots zīmējumā.

Lai A vai B paņēmieni mainītu uz C vai D paņēmieni vai otrādi, no garenzāģēšanas ierobežotāja turekļa noskrūvējiet kvadrātuzgriezni un spīlējuma skrūvi (A), tad novietojiet spīlējuma skrūvi (A) un kvadrātuzgriezni pretējā garenzāģēšanas ierobežotāja turekļa stāvoklī, salīdzinājumā ar sākotnējo stāvokli. Cieši pieskrūvējiet spīlējuma skrūvi (A), kad garenzāģēšanas ierobežotāja turekļa kvadrātuzgrieznis ir ievietots ierobežotāja spraugā. Ievietojiet kvadrātuzgriezni garenzāģēšanas ierobežotāja turekļa aizmugurē jebkurā no ierobežotāja spraugām tā, kā attēlots zīmējumā.

Att.29

Garenzāģēšanas ierobežotājs ir noregulēts rūpnīcā tā, ka tas atrodas paralēli asmens virsmai. Pārbaudiet, vai tas atrodas paralēli. Lai pārliecinātos, vai garenzāģēšanas ierobežotājs atrodas paralēli asmenim, ar zāģēšanas dziļuma regulēšanas rokturi noregulējiet asmens augstumu tā, lai asmens atrastos augstākajā stāvoklī no galda. Vienu no asmens zobiem atzīmējiet ar krāsaino zīmuli. Izmēriet attālumu (A) un (B) starp garenzāģēšanas ierobežotāju un asmeni. Abus mērījumus veiciet, izmantojot ar krāsaino zīmuli atzīmētos zobus. Šiem abiem mērījumiem jābūt identiskiem. Ja garenzāģēšanas ierobežotājs nav paralēls asmenim, rīkojieties šādi:

Att.30

- (1) Regulēšanas skrūvi pagrieziet pretēji pulksteņrādītāja virzienam.

Att.31

Att.32

- (2) Pārvietojiet garenzāģēšanas ierobežotāju priekšējo malu nedaudz uz labo vai uz kreiso pusi, līdz tas atrodas paralēli asmenim.
- (3) Cieši pieskrūvējiet garenzāģēšanas ierobežotāja regulēšanas skrūvi.

△UZMANĪBU:

- Obligāti noregulējiet garenzāģēšanas ierobežotāju, lai tas atrodas paralēli asmenim, jo pretējā gadījumā var būt bīstama atsietiena situācija.
- Obligāti noregulējiet garenzāģēšanas ierobežotāju, lai tas nesaskartos ar augšējo asmens turekli vai zāģa asmeni.
- Nemainiet darbarīka stāvokli vai nepārnēsājiet to, turot aiz garenzāģēšanas ierobežotāja.
- Paceļot uzstādītu garenzāģēšanas ierobežotāju vai, ar roku satverot tā augšējo galu un spēcīgi stumjot to uz labo vai kreiso pusi, iespējams sabojāt gan ierobežotāju, gan tā darbību.

Leņķveida mērinstrumenta uzstādīšana un regulēšana

Att.33

Uzstādiet leņķveida mērinstrumenta, tā vārpstu ievietojot vienā no divām rievām galda priekšpusē. Atbilstoši veicamajam darbam uz leņķveida mērinstrumenta iespējams uzstādīt tā ierobežotāju, ko izmanto arī kā garenzāģēšanas ierobežotāju.

Putekļu maiss

Att.34

Lietojot putekļu maisu, zāģēšanas laikā neizceļas putekļi, jo pavisam vienkāršā veidā tie tiek savākti. Lai uzstādītu putekļu maisu, uzlieciet to uz putekļu sprauslas. Kad putekļu maiss ir aptuveni līdz pusei piepildīts, noņemiet to nost no darbarīka un stiprinājumu izspiediet ārā. Iztukšojiet maisa saturu, diegli pa to pasitot, lai atdalītu iekšpusē pielipušās daļiņas, kas turpmāk varētu traucēt putekļu savākšanai.

Att.35

Ja šim zāģim pievienosiet putekļsūcēju, darbs ar to būs vēl efektīvāks un tīrāks.

Att.36

Lokveida savienojums

Att.37

△UZMANĪBU:

- Vērsiet lokveida savienojuma izvadatveri tādā virzienā, kurā izplūdes putekļi un skaidas nelido darbarīka un cilvēku, kas atrodas darba zonā, virzienā.

Mainot putekļu izvades virzienu, piestipriniet lokveida savienojumu.

Apstrādājamā materiāla nostiprināšana

⚠BRĪDINĀJUMS:

- Ļoti svarīgi, lai apstrādājamais materiāls vienmēr būtu pareizi un cieši nostiprināts ar skrūvspīlēm. Ja šādi nerīkosities, darbarīks un/vai apstrādājamais materiāls var sabojāties. REZULTĀTĀ VARAT ARĪ GŪT IEVAINOJUMUS. Turklāt, kad zāģēšana ir pabeigta, NEPACELIET asmeni, līdz tas nav pilnībā pārstājis darboties.

Apakšējais ierobežotājs

Att.38

Apakšējo ierobežotāju var uzstādīt uz vadotnes ierobežotāja. Veicot kreiso slīpleņķa zāģēšanu vai zāģējot kā ar galda zāģi (darba galda režīmā), noņemiet apakšējo ierobežotāju.

⚠UZMANĪBU:

- Veicot kreiso slīpleņķa zāģēšanu vai zāģējot kā ar galda zāģi (darba galda režīmā), noņemiet apakšējo ierobežotāju. Pretējā gadījumā tas saskarsies ar asmeni vai darbarīka detaļām, radot operatoram smagu traumu gūšanas risku.

Vertikālās skrūvspīles

Att.39

Vertikālās skrūvspīles var uzstādīt divos stāvokļos - vai nu vadotnes ierobežotāja kreisajā vai labajā pusē. Ievietojiet skrūvspīļu stieni vadotnes ierobežotāja caurumā un pieskrūvējiet spīļējuma skrūvi, lai nostiprinātu šo stieni.

Novietojiet skrūvspīļu kloķi atbilstoši apstrādājamā materiāla biežumam un formai un nostipriniet skrūvspīļu kloķi, pieskrūvējot spīļējuma skrūvi. Ja skrūve, ar ko piestiprināts skrūvspīļu kloķis, saskaras ar vadotnes ierobežotāju, uzstādiet to šī kloķa pretējā pusē. Pārliecinieties, vai, nolaižot rokturi uz leju līdz galam, darbarīks nesaskaras ar skrūvspīlēm. Ja darbarīks ar tām saskaras, mainiet skrūvspīļu stāvokli.

Spiediet apstrādājamo materiālu līdzeni uz vadotnes ierobežotāja un pagriežamā galdā. Novietojiet apstrādājamo materiālu vēlamajā zāģēšanas stāvoklī un cieši to piestipriniet, pievelkot skrūvspīļu rokturi.

⚠UZMANĪBU:

- Apstrādājamajam materiālam jābūt cieši piestiprinātam pie pagriežamā galdā un vadotnes ierobežotāja.

Darbarīka uzstādīšana galda zāģa režīmā

⚠UZMANĪBU:

- Pirms ekspluatācijas galda zāģa režīmā pārbaudiet, vai pagriežamais galds ar vadotnes ierobežotāja spīļējuma skrūvi ir nostiprināts 0° zāģēšanas leņķī.

- Pirms ekspluatācijas galda zāģa režīmā pārbaudiet, vai darbarīka galviņa ir nostiprināta ar sviru.
- Pirms ekspluatācijas galda zāģa režīmā pārbaudiet, vai šķeļošais nazis ir pareizi nostiprināts tam paredzētajā vietā.
- Pirms ekspluatācijas galda zāģa režīmā noņemiet apakšējo asmens aizsargu C.
- Galda zāģa režīmā atlaidiet apakšējās robežas aizturi.

Piegādājot darbarīku no rūpnīcas, tas ir uzstādīts leņķzāģa režīmā. Pirms ekspluatācijas galda zāģa režīmā mainiet uzstādījumu un ievērojiet turpmāk redzamo procedūru.

1. Pagriežamā galdā nostiprināšana

Att.40

Lai nostiprinātu pagriežamo galdū, cieši pieskrūvējiet vadotnes ierobežotāja spīļējuma skrūvi 0° zāģēšanas leņķī.

2. Darbarīka galviņas nostiprināšana

Att.41

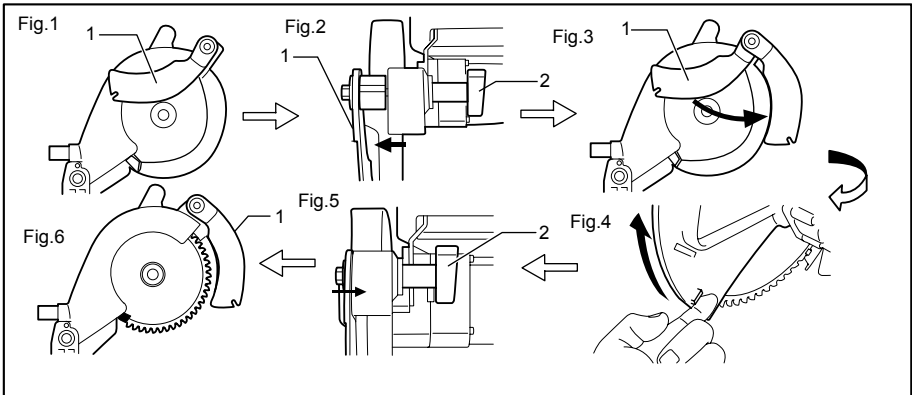
Nostipriniet darbarīka galviņu, pievelkot sviru bultīņas virzienā, kā attēlots zīmējumā.

3. Apakšējās robežas aiztura atbrīvošana

Att.42

Pārbaudiet, vai apakšējās robežas aiztura gals atrodas A stāvoklī, kā attēlots zīmējumā. Ja apakšējās robežas aizturs atrodas B stāvoklī, pagrieziet tā galu pretēji pulksteņrādītāja virzienam līdz A stāvoklim.

4. Škeļošā naža stāvokļa mainīšana



1. Škeļošais nazis
2. Spīlējuma uzgrieznis

006068

Stāvoklis (1. zīm.) jāmaina šādi.

- (1) Atskrūvējiet spīlējuma uzgriezni (2. zīm.).
- (2) Pavelciet un grieziet škeļošo nazi bultiņas virzienā līdz 90° leņķa stāvoklim (3. zīm.). Tad to nedaudz iespiediet uz iekšu tā, lai tas šajā stāvoklī nofiksētos.
- (3) Paceliet apakšējo asmens aizsargu A, ar roku turot tā izcilni, līdz galam, tajā pašā laikā sviru, kas atrodas pie roktura, virzot pa kreisi, un tad atlaidiet šo sviru (4. zīm.).
- (4) Spiediet škeļošo nazi bultiņas virzienā (skat. 5. zīm.) tā, lai tas būtu savietots ar zāga asmeni.
- (5) Kad škeļošais nazis ir pārvietots bultiņas virzienā, kā attēlots zīmējumā, atlaidiet apakšējo asmens aizsargu A.
- (6) Kad škeļošais nazis ir savietots, cieši pievelciet spīlējuma uzgriezni (skat. 6. zīm.).

5. Apakšējā asmens aizsarga C noņemšana

Att.43

Noņemiet no galda apakšējo asmens aizsargu C, atskrūvējot spīlējuma skrūvi.

6. Darbarīka galviņas nobloķēšana viszemākajā stāvoklī.

Att.44

Att.45

Kad šķelšanas nazis ir uzstādīts galda zāga režīma stāvoklī, pavelciet aizturi bultiņas A virzienā un, to velkot, pagrieziet to bultiņas B virzienā līdz 90° leņķim. Tad nolaidiet rokturi uz leju, lai nobloķētu darbarīka galviņu.

⚠UZMANĪBU:

- Ja darbarīka galviņu nav iespējams nobloķēt viszemākajā stāvoklī, vairākas reizes pagrieziet dziļuma regulēšanas rokturi pulksteņrādītāja virzienā.

- Pirms darbarīka apgriešanas vienmēr pārbaudiet, vai aiztura tapa ir cieši nostiprinājusi darbarīka galviņu viszemākajā stāvoklī.

7. Darbarīka apgriešana

⚠BRĪDINĀJUMS:

- Pirms apgriešanas pārbaudiet, vai darbarīks ir izslēgts un atvienots no elektrotilka.
- Spiežot sviru uz leju, nekādā gadījumā neturiet roku/pirkstu sviras un galda savienotājdaļas zonā.

Att.46

Ar vienu roku turiet galda malu vidū, ar otru roku nospiediet sviru uz leju, galda malu turot cieši, un uzmanīgi grieziet galdu, lai to apgrieztu otrādi. Turiet to, līdz tas nobloķējas.

8. Augšējā asmens aizsarga uzstādīšana

Att.47

Nospiediet augšējā asmens aizsarga malā esošo spiežampogu, turot to nospiestu, novietojiet aizsargu uz škeļošā naža ieroba, un tad atlaidiet spiežampogu.

Atlaižot spiežampogu, pārbaudiet, vai augšējais asmens aizsargs ir nostiprināts, pamēģinot to izvilkēt ārā.

⚠UZMANĪBU:

- Kad augšējais asmens aizsargs ir uzstādīts, pārbaudiet, vai tas darbojas vienmērīgi.

Darbarīka uzstādīšana leņķzāga režīmā

⚠BRĪDINĀJUMS:

- Pirms darbarīka ekspluatācijas leņķzāga režīmā obligāti uzstādiet apakšējo asmens aizsargu C.

Lai nomainītu uzstādīto galda zāga režīmu uz leņķzāga režīmu, sadalā " Darbarīka uzstādīšana galda zāga režīmā " minēto procedūru izpildiet apgrieztā secībā.

1. Augšējā asmens aizsarga noņemšana

Nospiediet augšējā asmens aizsarga malā esošo spiežampogu, un tad, turot pogu nospiestu, vienkārši noņemiet augšējo asmens aizsargu, ceļot augšup.

2. Apakšējā asmens aizsarga C uzstādīšana

Novietojiet uz galda apakšējo asmens aizsargu C tā, lai būtu ievietots galda atverē, un tad cieši pieskrūvējiet spīlējuma skrūvi.

3. Darbarīka apgriešana

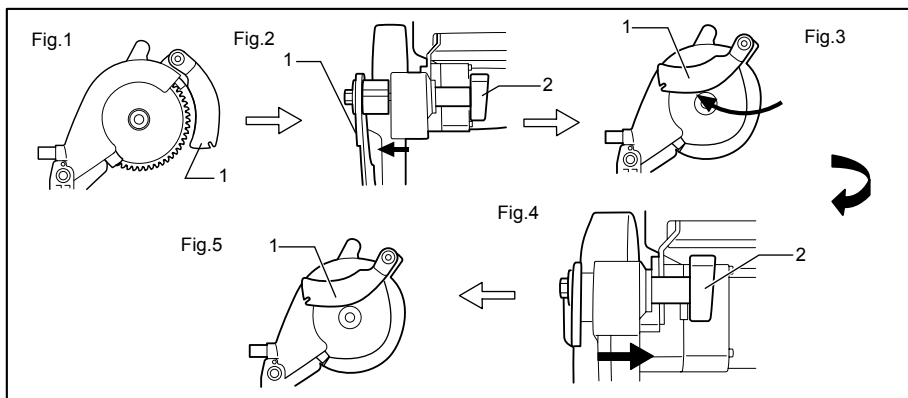
Skatiet daļu ar tādu pašu nosaukumu sadaļā "Darbarīka uzstādīšana galda zāģa režīmā".

4. Darbarīka galviņas atbrīvošana no viszemākā stāvokļa.

Att.48

Turot rokturi, pavelciet aiztura tapu bultiņas A virzienā un, to velkot, pagrieziet to bultiņas B virzienā līdz 90° leņķim, un tad lēnām paceliet rokturi.

5. Šķeļošā naža stāvokļa mainīšana



1. Šķeļošais nazis
2. Spīlējuma uzgrieznis

006075

Šķeļošā naža stāvoklis (1. zīm.) jāmaina šādi.

- (1) Atskrūvējiet spīlējuma uzgriezni un ar roku turiet apakšējo asmens aizsargu A aiz tā izciļņa (2. zīm.).
- (2) Turot apakšējo asmens aizsargu A, pavelciet šķeļošo nazi tā, lai tas grieztos, un pagrieziet to stāvoklī, kas ir bultiņas virzienā (3. zīm.).
- (3) Turot šķeļošo nazi šajā stāvoklī, atgrieziet apakšējo asmens aizsargu A tā sākotnējā stāvoklī un cieši pievelciet spīlējuma uzgriezni (4., 5. zīm.).

EKSPLUATĀCIJA

⚠UZMANĪBU:

- Pirms ekspluatācijas obligāti atbrīvojiet rokturi no zemākā stāvokļa, pavelkot aiztura tapu un pagriežot to 90° leņķī.
- Pirms slēdža ieslēgšanas pārbaudiet, vai asmens nesaskaras ar apstrādājamo materiālu, u.c..

ZĀĢĒŠANA KĀ AR LEŅKZĀĢI

⚠BRĪDINĀJUMS:

- Pārbaudiet, vai apakšējais asmens aizsargs C ir uzstādīts pirms izmantošanas leņķzāģa režīmā.

⚠UZMANĪBU:

- Zāģējot nespiediet pārāk daudz uz roktura. Spiežot pārāk stipri, dzinējam var rasties pārslodze un/vai zāģēšanas efektivitāte var mazināties. Spiediet rokturi uz leju tikai tik spēcīgi, cik vajadzīgs, lai sazāģētu vienmērīgi, ievērojami nemazinot asmens ātrumu.
- Lai zāģētu, uzmanīgi spiediet uz leju rokturi. Ja rokturi spiedīsiet uz leju spēcīgi vai ja spiedīsiet to no sāniem, asmens vibrēs un vairs nevirzīsiet pa atzīmēto līniju uz apstrādājamā materiāla (zāģa atzīmi), un zāģis vairs nesazāģēs precīzi.

1. Zāģēšana ar spiedienu

Att.49

Nostipriniet apstrādājamo materiālu pie vadotnes ierobežotāja un pagriežamā galda. Ieslēdziet darbarīku, asmenim nesaskaroties ar virsmu, un pirms tā nolaišanas lejup nogaidiet, kamēr asmens

darbojas ar pilnu jaudu. Tad, lai zāģētu materiālu, uzmanīgi nolaidiet rokturi līdz viszemākajam stāvoklim. Kad zāģēšana ir pabeigta, izslēdziet darbarīku un NOGAIDIET, LĪDZ ASMENS IR PILNĪBĀ PĀRSTĀJIS DARBOTIES pirms atgriezt atpakaļ pilnībā paceltajā stāvoklī.

2. Zāģēšana leņķī

Skatiet iepriekš sadaļu „Zāģēšanas leņķa noregulēšana”.

3. Slīpleņķa zāģēšana

Att.50

Atbrīvojiet sviru un, lai uzstādītu slīpo leņķi, sasveriet zāģa asmeni (skatiet iepriekš sadaļu "Slīpā leņķa noregulēšana"). Obligāti vēlreiz no jauna cieši pievelciet sviru, lai droši nostiprinātu izvēlēto slīpo leņķi. Nostipriniet apstrādājamo materiālu pie vadotnes ierobežotāja un pagriežamā galda. Ieslēdziet darbarīku, asmenim nesaskaroties ar virsmu, un nogaidiet, kamēr asmens darbojas ar pilnu jaudu. Tad uzmanīgi nolaidiet rokturi līdz viszemākajam stāvoklim, spiežot paralēli asmenim. Kad zāģēšana ir pabeigta, izslēdziet darbarīku un NOGAIDIET, LĪDZ ASMENS IR PILNĪBĀ PĀRSTĀJIS DARBOTIES pirms atgriezt atpakaļ pilnībā paceltajā stāvoklī.

⚠UZMANĪBU:

- Vienmēr pārbaudiet, vai slīpleņķa zāģēšanas laikā asmens virzīsies uz leju slīpā leņķa virzienā. Rūpējieties, lai netuvinātu rokas zāģa asmens ceļam.
- Slīpleņķa zāģēšanas laikā var gadīties tā, ka nozāģētais gabals atbalstīsies pret asmens malu. Ja asmeni pacelsiet, kamēr tas vēl griežas, asmens var šo gabalu ieraut un tad izsvaidīt nozāģētus gabaliņus, kas ir bīstami. Asmens jāpaceļ TIKAI tad, kad asmens ir pilnībā pārstājis darboties.
- Spiežot rokturi uz leju, spiediet paralēli asmenim. Ja zāģējot nespiedīsiet paralēli asmenim, asmens leņķis var nobīdīties, un zāģis vairs nesazāģēs precīzi.
- Veicot kreiso slīpleņķa zāģēšanu, vienmēr noņemiet apakšējo ierobežotāju.

4. Kombinētā zāģēšana

Kombinētā zāģēšana ir process, kurā slīpais leņķis uz apstrādājamā materiāla tiek veidots vienlaicīgi ar zāģēšanas leņķi. Kombinēto zāģēšanu iespējams veikt tabulā redzamajā leņķī.

Slīpais leņķis	Zāģēšanas leņķis
45°	Pa kreisi un pa labi 0° - 45°

006366

Zāģējot kombinēti, skatiet skaidrojumus sadaļā "Zāģēšana ar spiedienu", "Zāģēšana leņķī" un "Slīpleņķa zāģēšana”.

5. Alumīnija profilu zāģēšana

Att.51

Alumīnija profilu nostiprināšanai izmantojiet starplikas blokus vai atgriezumus gabalus, kā attēlots zīmējumā, lai alumīnijs nedeformētos. Zāģējot alumīnija profilu, izmantojiet zāģēšanas smērvielu, lai uz asmens nenogulsnētos alumīnija materiāls.

⚠UZMANĪBU:

- Nekad nezāģējiet biezus vai apaļus alumīnija profilus. Biezi alumīnija profili darba laikā var kļūt vaļīgi, bet apaļus profilus ar šo darbarīku nav iespējams cieši nostiprināt.
- Nekad nezāģējiet alumīniju galda zāģa (darba galda) režīmā.

ZĀĢĒŠANA KĀ AR GALDA ZĀĢI (DARBA GALDA REŽĪMS)

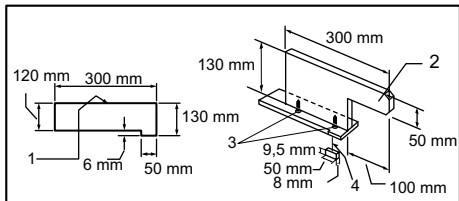
⚠UZMANĪBU:

- Vienmēr izmantojiet darba palīgīdzekļus, piemēram, bīdstieņus un bīdīšanas blokus, ja pastāv risks, ka jūsu rokas vai pirksti atradīsies asmens tuvumā.
- Vienmēr turiet apstrādājamo materiālu cieši pie galda. Padeves laikā to nelokiet un negrieziet. Ja apstrādājamais materiāls ir salocīts vai sagrozīts, var rasties bīstami atsitieni.
- NEKAD neizņemiet apstrādājamo materiālu ārā, kamēr asmens griežas. Ja apstrādājamais materiāls jāizņem ārā pirms zāģēšana ir pabeigta, vispirms izslēdziet darbarīku, cieši turot apstrādājamo materiālu. Pirms apstrādājamā materiāla izņemšanas nogaidiet, līdz asmens ir pilnībā pārstājis darboties. Neievērojot šo noteikumu, var izraisīt bīstamus atsitienus.
- NEKAD neizņemiet ārā nozāģēto materiālu, kamēr asmens griežas.
- NEKAD zāģa asmens ceļā nelieciet rokas vai pirkstus.
- Vienmēr cieši piestipriniet garenzāģēšanas ierobežotāju, jo pretējā gadījumā var izraisīt bīstamus atsitienus.
- Vienmēr izmantojiet darba palīgīdzekļus, piemēram, bīdstieņus un bīdīšanas blokus, zāģējot šaurus materiālus, vai ja cokolveida galviņa zāģēšanas laikā nav redzama.
- Zāģējot kā ar galda zāģi (darba galda režīmā), noņemiet apakšējo ierobežotāju.

Darba palīgīdzekļi

Bīdstieņi, bīdīšanas bloki vai palīgierobežotāji ir darba palīgīdzekļi. Izmantojiet tos, lai zāģētu droši un ar pārliecību, ka operatoram nebūs jāpieskaras asmenim ne ar vienu ķermeņa daļu.

Bīdīšanas bloks



1. Paraleli priekšpusei/malai
2. Rokturis
3. Kokskrūve
4. Savietot kopā

006080

Izmantojiet 19 mm finiera gabalu.

Rokturim jāatrodas finiera gabala vidū. Piestipriniet ar līmi un kokskrūvēm, kā attēlots. Pie finiera vienmēr jāpielīmē mazs koka gabaliņš 9,5 mm x 8 mm x 50 mm izmēra, lai asmens nekļūtu truls, ja operators nejauši iezāgē bīdīšanas blokā. (Bīdīšanas blokā nekad nedzeniet naglas.)

Palīgierobežotājs

Att.52

No 9,5 mm un 19 mm finiera gabaliem izveidojiet palīgierobežotāju.

Garenzāģēšana

⚠UZMANĪBU:

- Zāģējot gareniski, no galda noņemiet leņķveida mērinstrumentu.
 - Zāģējot garus vai lielus materiālus, vienmēr nodrošiniet piemērotu atbalstu aiz galda. NEPIELĀUJIET, ka garš dēlis uz galda kustētos vai bīdītos. Rezultātā asmens var iestrēgt, un var palielināties atsitienu un ievainojuma risks. Atbalstam jābūt vienādā augstumā ar galdu.
1. Noregulējiet zāģēšanas dziļumu nedaudz augstāk par apstrādājamā materiāla biezumu. Lai to noregulētu, skatiet sadaļu " Zāģēšanas dziļuma regulēšana ".
 2. Novietojiet garenzāģēšanas ierobežotāju vēlamajā garenzāģēšanas platumā un nostipriniet to, pieskrūvējot spīlējuma skrūvi (A). Pirms zāģēšanas gareniski pārliecinieties, vai ir pieskrūvētas abas garenzāģēšanas ierobežotāja turekļa skrūves. Pieskrūvējiet tās vēlreiz, ja tās nav pietiekami cieši pieskrūvētas.
 3. Ieslēdziet darbarīku un apstrādājamo materiālu kopā ar garenzāģēšanas ierobežotāju uzmanīgi padodiet asmeni.
 - (1) Ja garenzāģēšanas platums ir 150 mm un platāks, ar vienu roku uzmanīgi padodiet apstrādājamo materiālu. Ar otru roku turiet apstrādājamo materiālu tam paredzētajā vietā pret garenzāģēšanas ierobežotāju.

Att.53

- (2) Ja garenzāģēšanas platums ir 65 mm - 150 mm, ar bīdstieni padodiet apstrādājamo materiālu.

Att.54

- (3) Ja garenzāģēšanas platums ir mazāks par 65 mm, bīdstieni nav iespējams izmantot, jo tas atsīties pret asmens aizsargu. Izmantojiet palīgierobežotāju un bīdīšanas bloku. Pievienojiet palīgierobežotāju pie garenzāģēšanas ierobežotāja ar divām "C" skavām.

Att.55

Padodiet apstrādājamo materiālu ar roku, kamēr tā gals atrodas apmēram 25 mm no augšējā galda priekšējās malas. Turpiniet padēvi, izmantojot bīdīšanas bloku palīgierobežotāja augšdaļā, kamēr zāģēšana ir pabeigta.

Att.56

Šķērszāģēšana

⚠UZMANĪBU:

- Zāģējot šķērseniski, noņemiet no galda garenzāģēšanas ierobežotāju.
- Zāģējot garus vai lielus materiālus, vienmēr nodrošiniet piemērotu atbalstu galda malās. Atbalstam jābūt vienādā augstumā ar galdu.
- Vienmēr rūpējieties, lai netuvinātu rokas asmens ceļam.

Leņķveida mērinstruments

Izmantojiet leņķveida mērinstrumentu 4 veidu zāģēšanai, kā attēlots zīmējumā.

Att.57

⚠UZMANĪBU:

- Uzmanīgi nostipriniet rokturi uz leņķveida mērinstrumenta.
- Novērsiet apstrādājamā materiāla un mērinstrumenta pārbīdīšanos, stingri pieturot materiālu, īpaši zāģējot leņķi.
- NEKAD neturiet un nesatveriet apstrādājamā materiāla daļu, ko paredzēts nozāģēt.

Leņķveida mērinstrumenta lietošana

Att.58

Bīdīdīet leņķveida mērinstrumentu galda platajās rievās. Atbrīvojiet rokturi uz mērinstrumenta un savietojiet to līdz vēlamajam leņķim (0° līdz 60°). Paceliet detaļu uz augšu vienā līmenī pret ierobežotāju un uzmanīgi iebīdīdīet asmeni.

Koka palīgfinierējums (leņķveida mērinstruments)

Att.59

Lai garš dēlis nesvārstītos, uz leņķveida mērinstrumenta novietojiet ierobežošanas palīgdēli. Pēc caurumu

izurbšanas pieskrūvējiet ar bultskrūvēm/uzgriežņiem, tomēr stiprinājumi nedrīkst izvīzīties uz āru no finierējuma.

Darbarīka pārnēsāšana

Att.60

Pārbaudiet, vai darbarīks ir atvienots no elektrotīkla. Ja darbarīks tikko ir ekspluatēts leņķzāģa režīmā, nostipriniet asmeni 0° slīpleņķī un pagriežamo galdu grieziet līdz 0° zāģēšanas leņķim. Nolaidiet rokturi uz leju līdz galam un nobloķējiet rokturi zemākajā stāvoklī, pilnībā nospiežot aiztura tapu.

Pārnēsājiet darbarīku, turot to aiz zīmējumā attēlotās daļas.

Att.61

⚠UZMANĪBU:

- Pirms darbarīka pārnēsāšanas vienmēr nostipriniet visas kustīgās daļas.
- Pirms darbarīka pārnēsāšanas vienmēr iestatiet to leņķzāģa režīmā
- Pārbaudiet, vai uz darbarīka ir uzstādīts apakšējais asmens aizsargs C.

APKOPE

⚠UZMANĪBU:

- Pirms veicat pārbaudi vai apkopi vienmēr pārliecinieties, vai instruments ir izslēgts un atvienots no barošanas.
- Nekad neizmantojiet gazoļīnu, benzīnu, atšķaidītāju, spirtu vai līdzīgus šķidrumus. Tas var radīt izbalēšanu, deformāciju vai plaisas.

⚠BRĪDINĀJUMS:

- Lai darba rezultāts būtu maksimāli kvalitatīvs un drošs, vienmēr pārbaudiet, vai asmens ir ass un tīrs.

Zāģēšanas leņķa noregulēšana

Šis darbarīks ir uzmanīgi noregulēts un savietots rūpnīcā, taču, ja ar to nerīkosieties saudzīgi, tas vairs var nebūt pareizi noregulēts. Ja darbarīks nav pareizi savietots, rīkojieties šādi:

1. Zāģēšanas leņķis

Att.62

0° zāģēšanas leņķa bultskrūves atrodas četros stāvokļos.

No galda apakšpusē atskrūvējiet četras 0° zāģēšanas leņķa bultskrūves, griežot tās pretēji pulksteņrādītāja virzienam.

Nolaidiet rokturi uz leju līdz galam un nobloķējiet to zemākajā stāvoklī, nospiežot un pagriežot aiztura tapu pulksteņrādītāja virzienā līdz 90° leņķim. Ar leņķmēru, lekālu, u.c. izlīdziniet asmens malu ar vadotnes ierobežotāja priekšējo daļu. Tad no galda apakšpusē cieši pieskrūvējiet četras apakšējā kloķa regulēšanas skrūves. Pārbaudiet, vai rādītājs

ir vērst pret 0° leņķa atzīmi uz zāģēšanas leņķa skalas. Ja tā nav, noregulējiet rādītāja stāvokli, atskrūvējot skrūvi, ar ko tas piestiprināts. Pēc tā noregulēšanas cieši pieskrūvējiet skrūvi.

Att.63

2. Slīpais leņķis

Att.64

- (1) 0° slīpais leņķis
Nolaidiet rokturi uz leju līdz galam un nobloķējiet to zemākajā stāvoklī, nospiežot un pagriežot aiztura tapu pulksteņrādītāja virzienā līdz 90° leņķim. Atbrīvojiet sviru, kas atrodas darbarīka aizmugurē.

Lai asmeni sasvērtu uz labo pusi, divas vai trīs reizes pretēji pulksteņrādītāja virzienam no galda apakšpusē pagriežiet 0° slīpleņķa regulēšanas bultskrūvi, kas atrodas apakšējā kloķa labajā pusē.

Ar leņķmēru, lekālu, u.c. rūpīgi izlīdziniet asmens malu ar pagriežamā galda augšējo virsmu, pagriežot 0° slīpleņķa regulēšanas bultskrūvi pulksteņrādītāja virzienā.

Att.65

Pārbaudiet, vai rādītājs, kas atrodas uz pagriežamā galda, ir vērst pret 0° leņķa atzīmi uz slīpā leņķa skalas, kas atrodas uz kloķa turekļa. Ja tas nav vērst pret 0° leņķa atzīmi, atskrūvējiet skrūvi, ar ko piestiprināts rādītājs, un noregulējiet pēdējo tā, lai tas būtu vērst pret 0° leņķa atzīmi.

Att.66

- (2) 45° slīpais leņķis
Regulējiet 45° slīpleņķi tikai pēc tam, kad ir noregulēts 0° slīpleņķis. Lai noregulētu 45° slīpleņķi, atbrīvojiet sviru un sasveriet asmeni pa kreisi līdz galam. Pārbaudiet, vai rādītājs, kas atrodas uz kloķa, ir vērst pret 45° leņķa atzīmi uz slīpā leņķa skalas, kas atrodas uz kloķa turekļa. Ja rādītājs nav vērst pret 45° leņķa atzīmi, no galda apakšpusē pagriežiet apakšējā kloķa kreisajā pusē esošo 45° slīpleņķa regulēšanas bultskrūvi, līdz rādītājs ir vērst pret 45° leņķa atzīmi.

Ogles suku nomaiņa

Att.67

Regulāri izņemiet un pārbaudiet ogles suku. Kad ogles sukas ir nolietotājušas līdz robežas atzīmei, nomainiet tās. Turiet ogles suku tīras un pārbaudiet, vai tās var brīvi ieiet turekļos. Abas ogles sukas ir jānomaina vienlaikus. Izmantojiet tikai identiskas ogles sukas.

Noņemiet sukas turekļa vāciņus ar skrūvgrieža palīdzību. Izņemiet nolietotājušas ogles sukas, ievietojiet jaunas un nostipriniet sukas turekļa vāciņus.

Att.68

Pēc ekspluatācijas

- Lai nodrošinātu maksimālo ekspluatācijas laiku, pēc darba ar lupatiņu vai ko līdzīgu no darbarīka noīriet tam pielipušās skaidas un putekļus. Rūpējieties, lai asmens aizsargi būtu tīri, ievērojot iepriekš minētajā sadaļā "Asmens aizsargs" minētos norādījumus. Slīdošās daļas ieeļļojiet ar mašīneļļu, lai tās nesarūsētu.

Lai saglabātu produkta DROŠU un UZTICAMU darbību, remontdarbus, apkopi un regulēšanu uzticiet veikt tikai Makita pilnvarotam apkopes centram un vienmēr izmantojiet tikai Makita rezerves daļas.

PAPILDU PIEDERUMI

UZMANĪBU:

- Šādi piederumi un rīki tiek ieteikti lietošanai ar šajā pamācībā aprakstīto Makita instrumentu. Jebkādu citu piederumu un rīku izmantošana var radīt traumu briesmas. Piederumu vai rīku izmantojiet tikai tā paredzētajam mērķim.

Ja jums vajadzīga palīdzība vai precīzāka informācija par šiem piederumiem, vērsieties savā tuvākajā Makita apkopes centrā.

- Zāģa asmeņi ar tērauda un karbīda uzgaļiem
- Vertikālās skrūvspīles
- Uzgriežņu atslēga 6
- Putekļu maiss
- Leņķmērs
- Putekļu aizsargs (apakšējais asmens aizsargs C)
- Bīdstienis
- Lineāla montējums (garenzāģēšanas ierobežotājs)
- Leņķveida mērinstruments
- Fiksēšanas plāksnes (3 gabali)
- Seššķautņu bultskrūves (3 gabali)
- Lokveida savienojums
- Augšējā aizsarga montējums (augšējais asmens aizsargs)

PIEZĪME:

- Daži sarakstā norādītie izstrādājumi var būt iekļauti instrumenta komplektācijā kā standarta piederumi. Tie dažādās valstīs var būt atšķirīgi.

LIETUVIŲ KALBA (Originali naudojimo instrukcija)

Bendrasis aprašymas

- 1-1. Reguliavimo varžlė
- 1-2. Kojelė
- 2-1. Šešiakampis varžtas
- 2-2. Fiksavimo plokštė
- 3-1. „U“ formos grioveliai
- 4-1. Apatinė pjovimo disko apsauga A
- 4-2. Apatinė pjovimo disko apsauga B
- 5-1. Apatinė pjovimo disko apsauga C (naudojama tik įžambaus pjovimo režimu)
- 6-1. Įspaudžiamas mygtukas
- 6-2. Prakirtimo peilis
- 6-3. Viršutinė pjovimo disko apsauga (naudojama veikiant stalinio pjūklų režimu)
- 7-1. Sukiojamo pagrindo viršutinis paviršius
- 7-2. Disko ašmenų pakraštys
- 7-3. Kreiptuvas
- 8-1. Apatinė stabdiklio riba
- 8-2. Reguliavimo varžtas
- 8-3. Varžlė
- 9-1. Suveržimo varžtas
- 9-2. Kreiptuvas
- 10-1. Rankena
- 10-2. Sukiojamas stalas
- 11-1. Svirtelė
- 12-1. Rankena
- 13-1. Svirtelė
- 13-2. Pjovimo gylio reguliavimo rankenėlė
- 14-1. Perjungimas į įžambaus pjovimo režimą
- 14-2. Perjungimas į stalinio pjūklų pjovimo režimą
- 14-3. Atlaisvinimo mygtukas
- 14-4. Jungiklio spraktukas
- 14-5. Rankena
- 14-6. Svirtelė
- 14-7. Įjungimo mygtukas
- 14-8. Išjungimo mygtukas
- 15-1. Pjovimo gylio reguliavimo rankenėlė
- 16-1. Stabdiklio kaištis
- 17-1. Šešiabriaunis veržliaraktis
- 17-2. Veržliaraktio laikiklis
- 18-1. Šešiakampės lizdinės galvutės varžtas
- 18-2. Šešiabriaunis veržliaraktis
- 18-3. Ašies fiksatorius
- 19-1. Svirtelė
- 19-2. Pakėlimo svirtelė
- 20-1. Pjovimo diskas
- 20-2. Apatinė pjovimo disko apsauga B
- 21-1. Pjovimo disko gaubtas
- 21-2. Rodyklė
- 21-3. Pjovimo diskas
- 21-4. Rodyklė
- 22-1. Šešiakampės lizdinės galvutės varžtas
- 22-2. Išorinė tarpinė
- 22-3. Pjovimo diskas
- 22-4. Vidinis kraštas
- 22-5. Velenas
- 22-6. Žiedas
- 23-1. Suveržimo varžlė
- 23-2. Šešiakampės lizdinės galvutės varžtas
- 23-3. Prakirtimo peilis
- 24-1. Prakirtimo peilis
- 24-2. Pjovimo diskas
- 25-1. Disko plotis
- 25-2. Prakirtimo peilis
- 25-3. Šešiakampės lizdinės galvutės varžtas
- 26-1. Prapjovos kreiptuvo laikiklis
- 26-2. Kreipiamoji pavaža
- 26-3. Suveržimo varžtas (A)
- 26-4. Suveržimo varžtas (B)
- 26-5. Kreipiamoji plokštelė
- 27-1. Kreipiamoji plokštelė
- 27-2. Prapjovos kreiptuvo laikiklis
- 27-3. Linija, kurią reikia sulygtinti su: linija (A)
- 27-4. Pjovimo diskas
- 27-5. Viršutinis stalas
- 27-6. Ruošinys
- 28-1. Kreipiamoji plokštelė
- 28-2. Prapjovos kreiptuvo laikiklis
- 28-3. Pjovimo diskas
- 29-1. Kreipiamoji plokštelė
- 29-2. Prapjovos kreiptuvo laikiklis
- 29-3. Kvadratinė varžlė
- 29-4. Suveržimo varžtas (A)
- 29-5. Suveržimo varžtas (B)
- 30-1. Skalė
- 31-1. Kreipiamoji plokštelė
- 31-2. Prapjovos kreiptuvo laikiklis
- 31-3. Reguliavimo varžtas
- 32-1. Kreipiamoji plokštelė
- 32-2. Pjovimo diskas
- 32-3. Viršutinė pjovimo disko apsauga
- 33-1. Įžambaus matuoklio kreiptuvas
- 33-2. Įžambaus kampo matuoklis
- 33-3. Grioveliai
- 34-1. Dulkių surenkamasis antgalis
- 34-2. Dulkių maišelis
- 35-1. Dulkių maišelis
- 35-2. Užsegimas
- 37-1. Dulkių surenkamasis antgalis
- 37-2. Alkūnė
- 39-1. Spaustuvo rankenėlė
- 39-2. Spaustuvo strypas
- 39-3. Suveržimo varžtas
- 39-4. Spaustuvo rankena
- 39-5. Kreiptuvas
- 40-1. Suveržimo varžtas
- 40-2. Kreiptuvas
- 41-1. Svirtelė
- 42-1. Apatinė stabdiklio riba
- 42-2. Reguliavimo varžtas
- 43-1. Suveržimo varžtas
- 44-1. Stabdiklio kaištis
- 45-1. Pjūklų galvutė užfiksuojamą žemiausioje padėtyje
- 46-1. Svirtelė
- 46-2. Svirtelės vieta rankai/pirštui laikyti
- 46-3. Užkabinimo dalys
- 47-1. Įspaudžiamas mygtukas
- 47-2. Prakirtimo peilis
- 47-3. Viršutinė pjovimo disko apsauga (naudojama veikiant stalinio pjūklų režimu)
- 48-1. Stabdiklio kaištis
- 49-1. Spaustuvas (priedas)
- 50-1. Spaustuvas (priedas)
- 51-1. Spaustuvas
- 51-2. Skėtiklio kaladėlė
- 51-3. Kreiptuvas
- 51-4. Aliuminio išspaudimas
- 51-5. Skėtiklio kaladėlė
- 52-1. Išorinė/krašto lygiagretė
- 54-1. Stūmimo lazda
- 55-1. Pagalbinis kreiptuvas
- 56-1. Stūmimo trinkelė
- 56-2. Pagalbinis kreiptuvas
- 57-1. Skersinis pjovimas
- 57-2. Įžambusis pjovimas
- 57-3. Įstrižasis pjovimas
- 57-4. Kombinuotasis įžambusis (kampų) pjovimas
- 58-1. Griovelis
- 58-2. Įžambaus kampo matuoklis
- 58-3. Rankenėlė
- 60-1. Stabdiklio kaištis
- 61-1. Įrankio dalis, už kurios laikoma nešant
- 63-1. Trikampė linuotė
- 63-2. Pjovimo diskas
- 63-3. Kreiptuvas
- 64-1. 0° kampo reguliavimo varžtas
- 64-2. 45° kampo reguliavimo varžtas

65-1. Trikampė liniuotė
65-2. Pjovimo diskas
65-3. Sukiojamo stalo viršutinis paviršius

66-1. Petys
66-2. Įstrižoji skalė
66-3. Rodyklė
66-4. Sukiojamas stalas

67-1. Ribos žymė
68-1. Šepetėlio laikiklio dangtelis
68-2. Atsuktuvus

SPECIFIKACIJOS

Modelis	LF1000
Pjovimo disko skersmuo	260 mm
Disko korpuso storis	1,8 mm - 2,0 mm
Prakirtimo peilio storis	2,2 mm
Skylės skersmuo	
Europos šalims	30 mm
Didž. pjovimo matmėtys (A x P), kai dirbant įžambaus pjovimo režimu disko skermuo 260 mm	

Įstrižasis kampas	Įžambusis kampas
	0°
0°	20 mm x 180 mm
	68 mm x 155 mm
45° (kairysis)	50 mm x 150 mm

Didž. pjovimo matmėtys pjaunant 90° kampu, dirbant stalinio pjūkle režimu (pjovimo staklių režimu)	70 mm
Greitis be apkrovos (min ⁻¹)	2 700
Stalo matmėtys (P x I)	500 mm x 555 mm
Matmėtys (I x P x A1(pastaba)/A2(pastaba)), dirbant įžambaus pjovimo režimu stalinio pjūkle režimu	660 mm x 650 mm x 1 220 mm / 800 mm 660 mm x 650 mm x 1 060 mm / 845 mm
Neto svoris	36 kg
Saugos klasė	II/II

Pastaba1 A1: Aukštis iki įrankio galvutės

Pastaba2 A2: Aukštis iki stalo

- Atliekame nepertraukiamus tyrimus ir nuolat tobuliname savo gaminius, todėl čia pateikiamos specifikacijos gali būti keičiamos be įspėjimo.
- Įvairiose šalyse specifikacijos gali skirtis.
- Svoris pagal Europos elektrinių įrankių asociacijos nustatytą metodiką „EPTA -Procedure 01/2003“

Simboliai

Žemiau yra nurodyti įrangai naudojami simboliai. Prieš naudodami įsitikinkite, kad suprantate jų reikšmę.



- Perskaitykite instrukciją.



- DVIGUBA IZOLIACIJA



- Saugodamiesi sužalojimu, kuriuos gali sukelti skriejančios atliekos, baigę pjauti pjūkle galvutę laikykite nuleidę, kol geležtė visiškai sustos.
- Nekiškite rankų ir pirštų prie geležtės.



- Prieš pradėdami dirbti, rūpindamiesi savo saugumu, pašalinkite nuolaužas, daleles ir pan. nuo stalo paviršiaus.



END213-8



- Prieš apsuksdami įrankį aplink ašį, išjunkite jį iš maitinimo tinklo.



- Nešdami įrankį, tinkamai laikykite rankas.



- Nepakelkite specialaus įtaiso viršutinio galo įdėdami ar išimdami.



- Norėdami atsukti varžtą, sukite jį pagal laikrodžio rodyklę.



- Tikrai ES valstybėms
Neišmeskite elektros įrangos į buitinius šiukšlynus!



- Pagal ES direktyvą dėl naudotos elektros ir elektroninės įrangos ir jos įdiegimo pagal nacionalinius įstatymus, naudotą elektros įrangą būtina surinkti atskirai ir nugabenti antrinių žaliavų

perdirbimui aplinkai nekenksmingu būdu.

ENE061-1

Paskirtis

Šis įrankis skirtas tiksliai tiesiam ir kūginiam medienos pjovimui. Šį įrankį galima naudoti ir kūginiam pjovimui, ir staliniam pjovimui sukant jį per stalą aplink jo ašį.

ENF002-2

Maitinimo šaltinis

Šį įrankį reikia jungti tik prie tokio maitinimo šaltinio, kurio įtampa atitinka nurodytąją įrankio duomenų plokštelėje; galima naudoti tik vienfazį kintamosios srovės maitinimo šaltinį. Jie yra dvigubai izoliuoti, todėl gali būti naudojami prijungus prie elektros lizdų be atžeminimo laido.

ENG905-1

Triukšmas

Tipiškas A svertinis triukšmo lygis nustatytas pagal EN61029:

Garso slėgio lygis (L_{pA}): 91 dB (A)
Garso galios lygis (L_{WA}): 108 dB (A)
Paklaida (K): 3 dB (A)

Dėvėkite ausų apsaugas

ENG900-1

Vibracija

Vibracijos bendroji vertė (trijų ašių vektorinė suma) nustatyta pagal EN61029:

Vibracijos emisija (a_{h1}): 2,5 m/s² arba mažiau
Paklaida (K): 1,5 m/s²

ENG901-1

- Paskelbtasis vibracijos emisijos dydis nustatytas pagal standartinį testavimo metodą ir jį galima naudoti vienam įrankiui palyginti su kitu.
- Paskelbtasis vibracijos emisijos dydis taip pat gali būti naudojamas preliminariai įvertinti vibracijos poveikį.

⚠️ ĮSPĖJIMAS:

- Faktiškai naudojant elektrinį įrankį, keliamos vibracijos dydis gali skirtis nuo paskelbtojo dydžio, priklausomai nuo būdų, kuriais yra naudojamas šis įrankis.
- Siekiant apsaugoti operatorių, būtina įvertinkite saugos priemones, remdamiesi vibracijos poveikio įvertinimu esant faktinėms naudojimo sąlygoms (atsižvelgdami į visas darbo ciklo dalis, pavyzdžiui, ne tik kiek laiko įrankis veikia, bet ir kiek kartų jis yra išjungiamas bei kai jis veikia be apkravų).

Tik Europos šalims

ES atitikties deklaracija

Bendrovė „Makita“ atsakingai pareiškia, kad šis įrenginys (-iai):

Mechanizmo paskirtis:

Atverčiamas pjūklas

Modelio Nr./ tipas: LF1000

Atitinka šias Europos direktyvas:

2006/42/EC

Yra pagaminti pagal šį standartą arba normatyvinius dokumentus:

EN61029

Techninį dokumentą pagal 2006/42/EB galima gauti iš:

Makita, Jan-Baptist Vinkstraat 2, 3070, Belgium (Belgija)

30.10.2014



000331

Yasushi Fukaya
Direktorius

Makita, Jan-Baptist Vinkstraat 2, 3070, Belgium (Belgija)

GEA010-1

Bendrieji perspėjimai darbui su elektriniais įrankiais

⚠️ **ĮSPĖJIMAS** Perskaitykite visus saugos įspėjimus ir instrukcijas. Nesilaikydami žemiau pateiktų įspėjimų ir instrukcijų galite patirti elektros smūgį, gaisrą ir/arba sunkų sužeidimą.

Išsaugokite visus įspėjimus ir instrukcijas, kad galėtumėte jas peržiūrėti ateityje.

ENB094-6

ĮSPĖJIMAI DĖL ATVERČIAMO PJŪKLO NAUDOJIMO SAUGOS

DIRBANT KŪGINIO PJŪKLO REŽIMU IR STALINIO (SUOLINIO) PJŪKLO REŽIMU

1. **Atidžiai apžiūrėkite diską, ar jis neįtrūkęs arba nedeformuotas.**
Apgadintą diską tuoj pat pakeiskite.
2. **Nenaudokite pjūklo be apsauginių gaubtų ir raizymo peilio, ypač pakeitę režimą. Prieš naudojimą patikrinkite apsauginius disko gaubtus, ar jie tinkamai uždaryti. Nenaudokite pjūklo, jei apsauginiai disko gaubtai laisvai nejudą ir ne iš karto užsidaro. Niekada neužspauskite ir nepritvirtinkite apsauginio gaubto, norėdami, kad diskas nebūtų uždengtas. Bet kokį nenormalų apsauginių**

3. disko gaubtų veikimą reikia tuoj pat pataisyti.
3. Naudokite tik gamintojo nurodytus pjovimo diskus, atitinkančius standartą EN847-1. Pjūvio griovelio plotis privalo būti didesnis už raižymo peilio plotį, o disko korpusas turi būti plonesnis už raižymo peilį.
4. Nenaudokite pjūklo geležčių, pagamintų iš greitapjovio plieno.
5. Naudokite akių apsaugines priemones.
6. Dėvėkite klausos apsaugos priemones, kad sumažintumėte pavojų prarasti klausą.
7. Tvarkydami pjovimo diskus (jeigu tik įmanoma, pjovimo diskus reikėtų nešti laikikliuose) ir žaliavas, mūvėkite pirštines.
8. Pjaudami prijunkite įrankį prie dulkių rinktuvo.
9. Nenaudojamos stumiamosios lazdos neišmeskite.
10. Grindys aplink įrankį turi būti gerai prižiūrimos, ant jų negali būti palaidų medžiagų, pvz., drožlių ir nuopjovų.
11. Operatorius turi gerai žinoti, kaip naudoti, reguliuoti ir valdyti įrankį.
12. Jeigu pjūklo nenaudojate, išjunkite jį ir atjunkite nuo elektros tinklo.
13. Siekdami sumažinti skleidžiamą triukšmą, pasirūpinkite, kad geležtė būtų aštri ir švari.
14. Naudokite tik tuos pjovimo diskus, ant kurių nurodytas maksimalus sukimosi greitis prilygsta arba viršija ant įrankio nurodytą sukimosi greitį be apkrovos.
15. Iš pjovimo zonos nerinkite jokių nuopjovų ar kitų ruošinio dalių, kol įrankis veikia ir jo pjovimo diskas nėra uždengtas apsauginiu gaubtu.
16. Šio įrankio negalima naudoti skylėms, išdrožoms arba grioveliams daryti.
17. Valykite ir saugokitės, kad nepažeistumėte veleno, jungių (ypač montavimo paviršiaus) ir fiksavimo varžto, prieš montuodami diską arba jį montuodami. Pažeidus šias dalis, gali lūžti diskas. Netinkamai sumontavus diską, jis gali pradėti vibruoti / klibėti arba nuslysti. Naudokite tik šiam įrankiui nurodytas junges.
18. Visada naudokite šioje instrukcijoje rekomenduojamus priedus. Naudojant netinkamus priedus, pvz., įpjautus šlifavimo diskus, galima susižeisti.
19. Rinkdamiesi pjūklo geležtes, atsižvelkite į medžiagą, kurią pjausite.
20. Nepjaukite metalinių daiktų, pvz., vinių ir varžtų. Prieš dirbdami apžiūrėkite ruošinį ir išimkite visas vinis, varžtus ir kitus pašalinius daiktus.
21. **PRIEŠ** pradėdami pjauti išmuškite klibančias šakas iš ruošinio.
22. Nenaudokite įrankio, jei aplinkoje yra degių skysčių ar dujų.
23. Prieš įjungdami įrankį ir pradėdami dirbti, rūpindamiesi savo saugumu, pašalinkite nuolaužas, daleles ir pan. iš darbo ploto ir nuo stalo paviršiaus.
24. Žiūrėkite, kad rankos būtų kuo toliau nuo pjūklo geležtės, kitiems asmenims liepkite pasitraukti iš geležtės kelio linijos, atitinkamai atsistokite ir patys. Venkite sąlyčio su bet kokia iš inercijos judančia geležte. Ji gali sunkiai sužeisti; joku būdu nesiekite už geležtės.
25. Visada būkite budrūs, ypač kai atliekate pasikartojančius monotoniškus veiksmus. Nepasiduokite apgaulingam saugumo jausmui. Geležtės gali padaryti didžiulės žalos.
26. Prieš įjungdami jungiklį, įsitikinkite, kad ašies fiksatorius neužfiksuotas.
27. Prieš naudodami įrankį su ruošiniu, leiskite jam kurį laiką veikti be apkrovos. Atkreipkite dėmesį į vibraciją arba klibėjimą - tai reikštų, kad įrankis netinkamai sumontuotas, arba kad geležtė blogai subalansuota.
28. Prieš pjaudami palaukite, kol geležtė įsibėgės visu greičiu.
29. Draudžiama šalinti nuopjovas ir kitas ruošinio dalis iš pjovimo vietos, kol įrankis veikia, o viršutinė pjūklo dalis nėra ramybės padėtyje.
30. Pastebėję ką nors neįprasto, tučtuojau nutraukite darbą.
31. Prieš perkeldami ruošinį arba keisdami nustatymus, išjunkite įrankį ir palaukite, kol pjūklo geležtė sustos.
32. Prieš keisdami geležtę, atlikdami techninės priežiūros darbus, arba jei įrankis nenaudojamas, išjunkite įrankį iš elektros tinklo.
33. Tam tikrose darbo metu atsirandančiose dulkėse yra cheminių medžiagų, kurios sukelia vėžį, apsigimimus ir įvairius žmogaus reprodukcinės sistemos sutrikimus. Keli tokių medžiagų pavyzdžiai:
 - švinas iš medžiagos, nudažytos dažais, kurių pagrindą sudaro švinas, ir
 - arsenikas bei chromas ir chemiškai apdorotos medienos.
 Kuo dažniau dirbate tokius darbus, tuo didesnis šių medžiagų keliamas pavojus. Norėdami sumažinti tokių cheminių medžiagų keliamus pavojus, dirbkite gerai vėdinamose patalpose ir naudokite patvirtintas apsaugines priemones, pvz., kaukes, saugančias nuo dulkių, kurios specialiai sukurtos mikroskopinėms dalelėms sulaukyti.
34. Patikrinkite, ar darbatalis tinkamai užfiksuotas svirtimi, ją pasukus.

NAUDOJANT KŪGINIO PJŪKLO REŽIMU:

35. Pjūklą naudokite tik medžiui, aliuminiui ir kitoms panašioms medžiagoms pjauti.
36. Jokių veiksmų neatlikite rankomis. Atliekant bet kokius veiksmus, ruošinys turi būti gerai pritvirtintas prie sukamojo pagrindo ir kreipiamojo aptvaro spaustuvais. Niekada nelaiykite ruošinio rankomis.
37. Prieš pradėdami kiekvieną pjūvį, patikrinkite, ar įrankis yra stabilus.
38. Ilgus ruošinius paremkite tinkamomis papildomomis atramomis.
39. Niekada nepjunkite mažų ruošinių, kurių neįmanoma tvirtai suspausti spaustuvais. Netinkamai laikant ruošinį, gali įvykti atatranka ir galite būti sunkiai sužeisti.
40. Įsitinkite, kad sukamasis stalas gerai pritvirtintas ir nejudės darbo metu.
41. Pjudami įstrižai, patikrinkite, ar svirtis gerai užfiksuota. Norėdami užfiksuoti svirtį, veržkite svirtelę pagal laikrodžio rodyklę.
42. Prieš įjungdami jungiklį, patikrinkite, ar geležtė neliečia sukamojo stalo apatinėje padėtyje ir neliečia ruošinio.
43. Tvirtai laikykite rankeną. Saugokitės, nes pjūklas darbo pradžios ir pabaigos metu truputį pajuda aukštyn ar žemyn.

NAUDOJANT STALINIO (SUOLINIO) PJŪKLO REŽIMU:

44. Jokių veiksmų neatlikite rankomis. „Rankomis“ reiškia laikydami arba nukreipdami ruošinį rankomis, o ne įpjovos aptvaru.
45. Patikrinkite, ar sukamasis stalas gerai užfiksuotas.
46. Patikrinkite, ar svirtis gerai užfiksuota darbinėje padėtyje. Norėdami užfiksuoti svirtį, veržkite svirtelę pagal laikrodžio rodyklę.
47. Geležtę uždarykite stumiamąja lazda ar kaladėle, nenaudokite rankų ar pirštų.
48. Prieš įjungdami jungiklį, patikrinkite, ar geležtė neliečia raižymo peilio ar ruošinio.
49. Ypatinę dėmesį skirkite nurodymams, kaip sumažinti ATATRANKĄ. ATATRANKA yra staigi reakcija į pjūklo geležtės įstrigimą, sulinkimą ar išsiderinimą. Dėl ATATRANKOS ruošinys išmetamas iš įrankio atgal, operatoriaus link. ATATRANKA GALI RIMTAI SUŽEISTI. ATATRANKOS galite išvengti neleisdami geležtei atšipti, išlaikydami specialų įtaisą lygiagrečių geležtei, laikydami raižymo peilį ir apsauginį geležtės įtaisą jų vietose ir tinkamai dirbdami: nepaleisdami ruošinio, kol nenustūmėte jo iki galo už geležtės, ir nerėždami ruošinio, kuris yra susisukęs arba deformuotas, arba neturi tiesios briaunos, kuria ji būti galima stumti palei aptvarą.

50. Stenkitės nestumti ruošinio staigiai ar greitai. Pjudami kietus ruošinius, stumkite juos kiek galima lėčiau. Stumdami nesulenkite ir nesusukite ruošinio. Jei geležtė įstringa ruošinyje, nedelsiant išjunkite įrankį. Išjunkite įrankį iš elektros tinklo. Tada pašalinkite įstrigimą.
51. Prieš apversdami įrankį, būtinai patikrinkite, ar stabilokio kaištis gerai užfiksavo įrankio galvutę apatinėje dalyje.

SAUGOKITE ŠIAS INSTRUKCIJAS.

⚠️ĮSPĖJIMAS:

NELEISKITE, kad patogumas ir gaminio pažinimas (įgyjamas pakartotinai naudojant) susilpnintų griežtą saugos taisyklių, taikytinų šiam gaminiui, laikymąsi. Dėl NETINKAMO NAUDOJIMO arba saugos taisyklių nesilaikymo, kurios pateiktos šioje instrukcijoje galima rimtai susižeisti.

SUMONTAVIMAS

⚠️DĖMESIO:

Grindys įrankio montavimo vietoje turi būti prižiūrimos, ant jų neturi būti palaidų medžiagų, pavyzdžiui, skiedrų ir nuopjovų.

Staklių sumontavimas

Iki galo pailginus kojas, gaunamas aukštas stalas.

Jeigu įrankis stovi nestabiliai, sukite jo kojose esančius varžtus, kol įrankis stovės stabiliai. Žiūrėdami iš viršaus, sukite prieš laikrodžio rodyklę, kad koja sutrumpėtų, ir pagal laikrodžio rodyklę - kad ji pailgėtų. Pareguliuavę, patikrinkite, ar įrankis stovi stabiliai.

Pav.1

Šešiakampiais varžtais ant įrankio trijų kojų sumontuokite fiksavimo plokšteles, jų kampu nupjautus galus nukreipdami į išorę. Po to trimis varžtais pritvirtinkite įrankį ant stabiliaus, lygaus paviršiaus, kišdami juos į varžtams įsukti fiksavimo plokštelėse padarytas skylės.

Pav.2

Sudedamos kojos leidžia padaryti žemą stalą.

Pav.3

Kai įrankio kojos yra sudėtos, pritvirtinkite jį, panaudodami piešinyje pavaizduotus U formos griovelius.

VEIKIMO APRAŠYMAS

⚠DĖMESIO:

- Prieš reguliuodami įrenginį arba tikrindami jo veikimą visada patikrinkite, ar įrenginys išjungtas, o laido kištukas - ištrauktas iš elektros lizdo.

Pjovimo disko apsauga

Pav.4

Pav.5

Pav.6

⚠DĖMESIO:

- Patikrinkite, kad rankenėlės negalima būtų nuleisti, nepastūmus į kairę šalia rankenėlės esančios svirtelės.
- Patikrinkite, ar apatinė pjovimo disko apsaugos A neatsidaro, kol šalia rankenėlės esanti svirtelė nepastumiamią į aukščiausią rankenėlės padėtį.
- Prieš pradėdami naudoti įžambaus pjovimo režimą, patikrinkite, ar uždėta apatinė pjovimo disko apsauga C.

Stumiant svirtelę kairėn ir nuleidžiant rankenėlę, automatiškai pakyla apatinė pjovimo disko apsauga A. Apatinė pjovimo disko apsauga pakyla tada, kai ji prisiliečia prie ruošinio. Apatinė pjovimo disko apsaugose įrengtos spyruoklės, kurios, baigus pjauti ir pakėlus rankenėlę, sugrąžina apsaugas į pradinę padėtį. Viršutinė pjovimo disko apsauga nusileidžia ant stalo paviršiaus, kai pro ją praleidžiamas ruošinys. NIEKADA NEIŠJUNKITE IR NENUIMKITE APATINĖS PJOVIMO DISKO APSAUGŲ, PRIE APATINIO PEILIO APSAUGOS PRIJUNGTOS SPYRUOKLĖS ARBA VIRŠUTINĖS PJOVIMO DISKO APSAUGOS, išskyrus toliau nurodytą atvejį.

Savo pačių saugumui, visada palaikykite gerą visų pjovimo disko apsaugų būklę. Bet kokį nenormalų apsaugų veikimą reikia tuoj pat pataisyti. Patikrinkite spyruoklę, ar ji gali sugrąžinti apatinę pjovimo disko apsaugą į pradinę padėtį. NIEKADA NENAUDOKITE ĮRANKIO, JEIGU APATINĖ PJOVIMO DISKO APSAUGA, SPYRUOKLĖ ARBA VIRŠUTINĖ PJOVIMO DISKO APSAUGA YRA SUGADINTA, SU DEFEKTAIS ARBA NUIMTA, išskyrus toliau nurodytą atvejį. NESILAIKANT ŠIŲ NURODYMŲ, KYLA DIDELIS PAJOVUS SUNKIAI SUSIŽEISTI.

PASTABA:

- Tik toliau nurodytais atvejais galima nuimti apsaugas. Tik naudojant stalinio pjūklo režimą, nuimama apatinė pjovimo disko apsauga C. Tik naudojant šlifuko režimą, nuimama viršutinė pjovimo disko apsauga.

Jeigu kuri nors iš šių permatomų pjovimo disko apsaugų susitepa arba prie jos prilimpa pjuvenos ir pjovimo disko negalima lengvai išūreiti, išjunkite pjūklą į maitinimo tinklo ir kruopščiai nuvalykite apsaugas drėgnu

skudurėliu. Plastmasinės apsaugos negalima valyti tirpikliais arba naftos pagrindu pagamintais vaikikliais.

Jeigu apatinė apsauga A labai purvina ir vaizdas pro ją pablogėja, atlikite tokius veiksmus. Iki galo pakelkite rankenėlę. Nuimkite pjovimo diską (žr. skyrių „Pjovimo disko sumontavimas arba nuėmimas“). Stumdami svirtelę kairėn, pakelkite apatinę pjovimo disko apsaugą A. Kai apatinė pjovimo disko apsauga A yra tokioje padėtyje, valymą galima atlikti kruopščiau ir efektyviau. Pabaigę valyti, atlikite veiksmus atvirkštine tvarka ir užveržkite varžtą.

Užsiteršus viršutinei pjovimo disko apsaugai, paspauskite jos priekyje esantį mygtuką į viršų ir nuimkite viršutinę pjovimo disko apsaugą. Pabaigę valyti, visada gerai uždėkite ją atgal.

Jeigu laikui bėgant arba dėl ultravioletinių spindulių poveikio kuri nors iš šių apsaugų prarastų skaidrumą, susisiekite su „Makita“ techninio aptarnavimo tarnyba. NEIŠJUNKITE IE NENUIMKITE APSAUGŲ.

Maksimalaus pjovimo pajėgumo palaikymas

Pav.7

Šis įrankis gamyклоje nustatytas maksimaliam pjovimo pajėgumui 260 mm pjovimo diskui.

Montuodami naują pjovimo diską, visada patikrinkite apatinę ribinę disko padėtį ir, jeigu reikia, pareguliuokite ją tokiu būdu:

⚠DĖMESIO:

- Atlikdami šį reguliavimą, išjunkite įrankį iš maitinimo tinklo.

Pirmiausia, atjunkite įrankį nuo elektros tinklo. Iki galo nuleiskite rankenėlę. Veržliarakčiu sukite reguliavimo varžtą tol, kol peilio pakraštys truputį nusileis žemiau sukiojamo stalo paviršiaus tame taške, kur kreipiamojo užtvaro priekis liečiasi su sukiojamo stalo viršutiniu paviršiumi.

Neįjungdami įrankio, sukite pjovimo diską ranka, laikydami iki galo nuspaustą rankenėlę, kad patikrintumėte, ar pjovimo diskas neliečia jokios apatiniam pagrinde esančios dalies. Jeigu reikia, dar truputį pareguliuokite.

⚠DĖMESIO:

- Sumontavę naują pjovimo diską, visada patikrinkite, ar visiškai nuleidus rankenėlę, pjovimo diskas neliečia jokios apatiniam pagrinde esančios dalies. Tikrinkite tik išjungę įrankį iš maitinimo tinklo.

Šį įrankį galima naudoti su arba be apatinės ribos nustatymo, perkeliant apatinės ribos fiksatorių, kaip parodyta piešinyje.

Norėdami naudoti įrankį be apatinės ribos, pasukite fiksatoriaus galą prieš laikrodžio rodyklę. Tokia padėtis tinkama platiems, ploniems ruošiniams pjauti.

Norėdami naudoti įrankį su nustatyta apatine riba, sukite fiksatoriaus galą pagal laikrodžio rodyklę. Tokia padėtis tinkama storiems ruošiniams pjauti.

Pav.8

Įžambaus kampo nustatymas

Pav.9

Pav.10

Sukdami prieš laikrodžio rodyklę, atsukite ant kreiptuvo esantį suveržimo varžtą. Paėmę už rankenėlės, pasukite sukiojamą stalą. Pasukę rankenėlę į tokią padėtį, kurioje rodyklė ant įstrižo kampo skalės rodo norimą kampa, tvirtai priveržkite suveržimo varžtą, sukdami jį pagal laikrodžio rodyklę.

⚠DĖMESIO:

- Sukdami sukiojamą pagrindą, rankenėlė turi būti iki galo pakelta.
- Pakeitę įžambųjį kampa, visuomet užtvirtinkite sukiojamą stalą, tvirtai užverždami suveržimo varžtą.

Įstrižo kampo nustatymas

Darbas įžambaus pjovimo režimu

Pav.11

Pav.12

Norėdami nustatyti įstrižą kampa, atlaisvinkite įrankio gale esančią svirtelę, sukdami prieš laikrodžio rodyklę. Norėdami pakreipti pjūklo peilį, stumkite rankenėlę į kairę, kol rodyklė ant įstrižos skalės rodyt norimą kampa. Po to, norėdami užtvirtinti rankeną, užveržkite svirtelę, sukdami ją pagal laikrodžio rodyklę.

⚠DĖMESIO:

- Sukdami sukiojamą pagrindą, rankenėlė turi būti iki galo pakelta.
- Keisdami įstrižą kampa, visada užtvirtinkite rankeną, užverždami svirtelę pagal laikrodžio rodyklę.

Darbas stalinio pjūklo režimu

Pav.13

Norėdami nustatyti įstrižą kampa, atlaisvinkite po stalu, įrankio priekyje esančią svirtelę, sukdami prieš laikrodžio rodyklę.

Norėdami pakreipti pjūklo peilį, stumkite gylio nustatymo rankenėlę į kairę, kol rodyklė ant įstrižos skalės rodyt norimą kampa. Po to, norėdami užtvirtinti rankeną, užveržkite svirtelę, sukdami ją pagal laikrodžio rodyklę.

Jungiklio veikimas

Pav.14

Perjungimas į įžambaus pjovimo režimą

⚠DĖMESIO:

- Prieš jungdami įrenginį visada patikrinkite, ar jungiklis gerai įsijungia, o atleistas grįžta į padėtį OFF (išjungta).
- Kai įrankio nenaudojate, išimkite atlaisvinimo mygtuką ir laikykite jį saugioje vietoje. Taip apsisaugosite, kad be leidimo niekas nedirbtų su įrankiu.

- Negalima stipriai spausti svirtinio jungiklio, nenuspaudus atlaisvinimo mygtuko. Galite sugadinti jungiklį.

Kad svirtinis jungiklis nebūtų atsitiktinai nuspaustas, yra atlaisvinimo mygtukas. Norėdami įjungti įrankį, pastumkite fiksavimo svirtelę į kairę, spauskite atlaisvinimo mygtuką, po to patraukite už svirtinio jungiklio. Jei norite sustabdyti įrankį, atleiskite svirtinį jungiklį.

Perjungimas į stalinio pjūklo režimą

⚠DĖMESIO:

- Prieš pradėdami darbą, patikrinkite, ar įrankį galima įjungti ir išjungti.

Norėdami įjungti įrankį, spauskite „Įjungti“ (I) mygtuką. Norėdami sustabdyti, spauskite „Išjungti“ (O) mygtuką.

Pjovimo gylio reguliavimas

Pav.15

Pjovimo gylį galima reguliuoti, sukant pjovimo gylio reguliavimo rankenėlę. Norėdami pakelti pjovimo diską, sukite pjovimo gylio reguliavimo rankenėlę pagal laikrodžio rodyklę, o norėdami jį nuleisti - prieš laikrodžio rodyklę.

⚠ĮSPĖJIMAS:

- Norėdami, kad pjūvis būtų švaresnis, plonomis medžiagoms pjauti nustatykite mažo gylio nustatymą.

⚠DĖMESIO:

- Jeigu įrankio galvutė visiškai nuleista, fiksavimo smaigo ištraukti negalima. Tokiu atveju, truputį pasukite rankenėlę prieš laikrodžio rodyklę ir galėsite ištraukti fiksavimo smaigą.

Pav.16

Perkrovos saugiklis

- Įrankius galima jungti tik į 200 V arba didesnę įtampą maitinimo tinklą. Nominalios įtamos dydį rasite prie įrankio pritvirtintoje kategorijos plokštelėje.
- Viršijus leistiną įrankio apkrovą, variklio maitinimas sumažinamas siekiant apsaugoti variklį nuo perkaitimo. Įrankis veiks įprastai vėl pasiekus leistiną apkrovą.

SURINKIMAS

⚠DĖMESIO:

- Prieš taisydami įrenginį visada patikrinkite, ar jis išjungtas, o laido kištukas - ištrauktas iš elektros lizdo.

Šešiabriaunio veržliarakčio laikymas

Pav.17

Šešiakampis veržliaraktis laikomas taip kaip parodyta paveikslėlyje. Jeigu reikia panaudoti šešiakampį veržliaraktį, ištraukite jį iš veržliarakčio laikiklio. Panaudoję šešiakampį veržliaraktį, grąžinkite jį į veržliarakčio laikiklį.

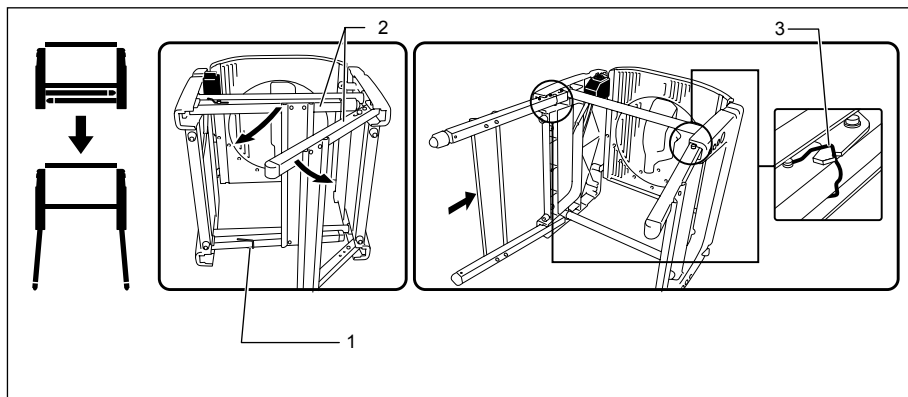
Du stalo aukščio nustatymo būdai

Stalą galima nustatyti dviem būdais: aukštą arba žemą padėtį.

⚠️ SPĖJIMAS:

- Prieš atlinkdami įrankį atgal, visada nustatykite įrankį šlifavimo režimu ir užfiksuokite įrankio galvutę žemiausioje padėtyje.

1. Aukšto stalo nustatymas



1. Kablys
2. Koja
3. Fiksavimo kablys

006043

Norėdami nustatyti aukštą stalą, atlikite tokius veiksmus.

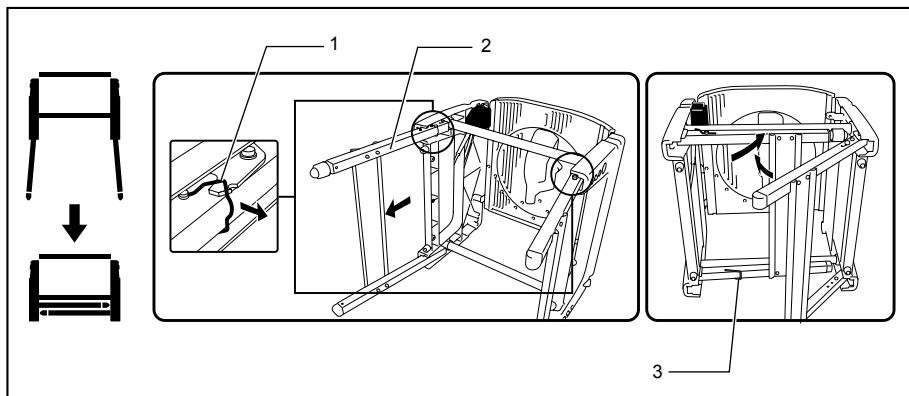
- (1) Atsargiai atverskite įrankį ATGAL, būtinai laikydami jį abiejomis rankomis.
- (2) Norėdami atsegti koją, sukite kabiuką priešinyje parodytos rodyklės kryptimi. Atidarykite stalo koją iš vienos pusės ir iki galo įstumkite jos apatinį strypą į priekį, kad jis savaime užsifikuotų. Tą pačią

procedūrą pakartokite su priešingoje pusėje esančia koja. Patikrinkite, ar abejos kojos visiškai užfiksuotos.

⚠️ SPĖJIMAS:

- Patikrinkite, ar fiksavimo kabliai yra tinkamoje rėmo griovelio vietoje.
- (3) Atverskite įrankį atgal į tiesią padėtį.

2. Žemo stalo nustatymas



1. Fiksavimo kablys
2. Koja
3. Kablys

006044

Kojas galima sudėti, aip pavaizduota piešinyje. Norėdami sudėti įrankio kojas, atlikite tokius veiksmus.

- (1) Atsargiai atverskite įrankį ATGAL, būtinai laikydami jį abiejomis rankomis.
- (2) Pirmiausia ištraukite kairės kojos sujungime esantį fiksatorių link savęs, kad jis atsifikuotų.
- (3) Tą patį atlikite su priešinga koja.
- (4) Susekite šias kojas kabliuku.
- (5) Atverskite įrankį atgal į tiesią padėtį.

Ašmenų įdėjimas ir išėmimas

⚠DĖMESIO:

- Prieš montuodami arba nuimdami diską, visada patikrinkite, ar įrankis išjungtas, o kištukas ištrauktas iš elektros lizdo.
- Disko sumontavimui arba nuėmimui naudokite tik „MAKITA“ šešiakampį veržliaraktį. Jeigu naudosite kitą įrankį, galite per daug arba ne iki galo priveržti šešiakampės lizdinės galvutės varžtą. Tai gali kelti sužeidimo pavojų.

Iki galo į viršų iškelkite rankenėlę.

Norėdami užfiksuoti veleną, įspauskite veleno fiksatorių, šešiakampiu veržliarakčiu atlaisvinkite šešiakampės lizdinės galvutės varžtą, sukdami jį pagal laikrodžio rodyklę.

Pav.18

Pakėlimo svirtelė pakelkite disko apsaugą A, tuo pačiu metu į kairę stumdami šalia rankenėlės esančią svirtelę. Pakėlę disko apsaugą A, išsukite šešiakampės lizdinės galvutės varžtą, nuimkite išorinę jungę ir diską.

Pav.19

Norėdami sumontuoti diską, atsargiai uždėkite jį ant veleno, patikrindami, ar ant disko paviršiaus pažymėtos rodyklės kryptis sutampa su ant disko gaubto pažymėtos rodyklės kryptimi. Uždėkite išorinę jungę ir šešiakampės lizdinės galvutės varžtą, po to, spausdami veleno fiksatorių, (kaire ranka) šešiakampiu veržliarakčiu tvirtai užveržkite šešiakampės lizdinės galvutės varžtą, sukdami prieš laikrodžio rodyklę.

Pav.20

Pav.21

PASTABA:

- Montuodami pjūklą, pirmiausia būtinai kiškite jį po disko apsaugą B, o po to pakelkite ją taip, kad galų gale įdėtumėte diską po apsaugą B.

Pav.22

⚠DĖMESIO:

- Gamykloje ant veleno sumontuotas žiedas, kurio išorinis skersmuo yra 25,4 mm arba 30 mm. Prieš uždėdami pjovimo diską ant veleno, būtinai patikrinkite, ar ant ašies užmautas tinkamas pasirinktam darbui žiedas, skirtas pjovimo disko ašies skylei.

Gražinkite apatinę pjovimo disko apsaugą į jo pradinę padėtį. Norėdami įsitikinti, ar tinkamai juda apatinės pjovimo disko apsaugos, nuleiskite rankenėlę. Prieš pradėdami pjauti, patikrinkite, ar veleno fiksatorius atlaisvina ašį.

Prakirtimo peilio reguliavimas

Pav.23

Iki galo pastūmus prakirtimo peilį link pjovimo disko, tarp prakirtimo peilio ir disko dantukų turi likti maždaug 5–6 mm tarpelis. Atitinkamai pareguliuokite prakirtimo peilį, pirmiausia ranka prieš laikrodžio rodyklę atsukdami suveržimo varžlę, po to šešiakampiu veržliarakčiu prieš laikrodžio rodyklę atsukdami šešiakampės lizdinės galvutės varžtą, ir išmatuodami atstumą. Atlikę nustatymą, tvirtai užveržkite šešiakampės lizdinės galvutės varžtą, po to – suveržimo varžlę, sukdami pagal laikrodžio rodyklę. Prieš pradėdami pjauti, visada patikrinkite, ar priveržtas prakirtimo peilis ir ar viršutinis disko apsauginis skydas veikia sklandžiai.

Pav.24

Prieš išsiunčiant iš gamyklos, šiame įrankyje prakirtimo peilis sumontuojamas taip, kad po paprasto nustatymo, pjovimo diskas ir prakirtimo peilis būtų vienoje linijoje. Apie nustatymą skaitykite skyriuje, pavadintame „Pakartotinis prakirtimo peilio nustatymas“.

Pav.25

⚠DĖMESIO:

- Jeigu pjovimo diskas ir prakirtimo peilis netinkamai sulygiuoti, tokiu įrankiu bus labai pavojinga dirbti. Patikrinkite, ar žiūrint iš viršaus, prakirtimo peilis yra tarp dviejų pjovimo disko dantų išorinių galų. Naudodami įrankį su netinkamai sulygiuotu prakirtimo peiliu, galite sunkiai susižeisti. Jeigu dėl kokių nors priežasčių įrankio pjovimo diskas ir prakirtimo peilis nesulygiuoti, kreipkitės į įgaliotąjį „Makita“ techninio aptarnavimo centrą, kad jį pataisytų.
- Nustatydami tarpelį tarp prakirtimo peilio ir pjovimo disko dantukų, suveržimo varžlę visada atlaisvinkite tik po to, kai atlaisvinate šešiakampės lizdinės galvutės varžtą.

Prapjovos užtvoros sumontavimas ir nustatymas

Pav.26

1. Sumontuokite prapjovos kreiptuvą ant stalo taip, kad jo laikiklis atsidurtų kreiptuvo griovelyje. Tvirtai užveržkite prapjovos kreiptuvo suveržimo varžtą (B), sukdami pagal laikrodžio rodyklę.
2. Atsukite suveržimo varžtą (A).
3. Paslinkite prapjovos kreiptuvą ir užtvirtinkite jį taip, kad toliau nuo Jūsų esantis prapjovos kreiptuvo galas būtų sulygiuotas su tašku, kuriame nuo ruošinio viršutinio paviršiaus matomas priekinis pjovimo disko kraštas. Šis nustatymas skirtas atitrūninti sumažinti, jeigu nupjauta nuo ruošinio

dalis, sužnybta tarp pjovimo disko ir prapjovos kreiptuvo, būtų sviedžiama į operatorių. Linijos (A) padėtis keičiama, priklausomai nuo ruošinio storio arba stalo lygio. Nustatykite prapjovimo kreiptuvo padėtį pagal ruošinio storį. Nustatę prapjovos kreiptuvą, tvirtai užveržkite suveržimo varžtą (A).

Pav.27

PASTABA:

- Prapjovos kreiptuvą galima nustatyti keturiais būdais, kaip parodyta piešinyje. Prapjovos kreiptuvas šonuose turi dvi ilgas prapjovas: viena prapjova su toje pačioje pusėje netoliese esančiu iškilium kraštu, o kita - be iškiliaus krašto. Prapjovos kreiptuvo su šiuo kraštu, nukreiptu į ruošinį, paviršių naudokite tik tada, kai pjaunate ploną ruošinį.

Pav.28

PASTABA:

- Norėdami pakeisti prapjovos kreiptuvo padėtį, nuimkite prapjovos kreiptuvą nuo jo laikiklio, atsukdami suveržimo varžtą (A) ir apskukite prapjovos kreiptuvą jo laikiklyje taip, kad jis būtų nukreiptas laikiklyje, tinkamai pagal atliekamą darbą, kaip parodyta piešinyje. Ant prapjovos kreiptuvo laikiklio, iš abiejų kreiptuvo galiniame krašte esančio plyšio pusių įkiškite kvadratinę veržlę, kaip parodyta piešinyje.

Norėdami pakeisti padėtį A arba B į padėtį C arba D, arba atvirkščiai, iš prapjovos kreiptuvo laikiklio ištraukite kvadratinę veržlę ir suveržimo varžtą (A), po to užmaukite suveržimo varžtą (A) ir kvadratinę veržlę priešingoje prapjovimo kreiptuvo pusėje. Įkišę į prapjovos kreiptuvo laikiklio kvadratinę veržlę į kreiptuve esantį plyšį, tvirtai užveržkite suveržimo varžtą (A).

Ant prapjovos kreiptuvo laikiklio, iš abiejų kreiptuvo galiniame krašte esančio plyšio pusių tinkamai įkiškite kvadratinę veržlę, kaip parodyta piešinyje.

Pav.29

Gamykloje prapjovos kreiptuvas nustatytas lygiagrečiai su pjovimo disko paviršiumi. Patikrinkite, ar jis nustatytas lygiagrečiai. Norėdami patikrinti, ar prapjovos kreiptuvas lygiagretus pjovimo diskui, pjovimo aukščio rankenėle nustatykite disko aukštį taip, kad diskas būtų aukščiausioje padėtyje stalo atžvilgiu. Vieną disko dantį pažymėkite spalvota kreida. Išmatuokite atstumus (A) ir (B) tarp prapjovos kreiptuvo ir pjovimo disko. Abu matmenis matuokite nuo spalvota kreida pažymėto danties. Šie du dydžiai turėtų būti identiški. Jeigu prapjovos kreiptuvas nėra lygiagretus pjovimo diskui, atlikite tokius veiksmus:

Pav.30

- (1) Pasukite reguliavimo varžtą prieš laikrodžio rodyklę.

Pav.31

Pav.32

- (2) Truputį pasukite priekinį prapjovos kreiptuvo kraštą į dešinę arba kairę, kol jis bus lygiagretus su pjovimo disku.
- (3) Tvirtai užsukite reguliavimo varžtą ant prapjovos kreiptuvo.

⚠DĖMESIO:

- Patikrinkite, ar prapjovos užtvara nustatėte lygiagrečiai pjovimo diskui, kitaip gali susidaryti pavojinga atatranka.
- Patikrinkite, ar prapjovimo kreiptuvas nustatytas taip, kad jis neliečia viršutinės pjovimo disko apsaugos arba paties disko.
- Netraukite ir neneškite įrankio už prapjovos kreiptuvo.
- Keliant sumontuotą prapjovos kreiptuvą arba ranka paėmus už jo viršutinio galo, jėga stumiant jį į dešinę ir kairę, jį galima sugadinti ir pabloginti jo veikimą.

Šlifavimo matuoklio sumontavimas

Pav.33

Sumontuokite šlifavimo matuoklį, įtaisydami jį iš priekio į vieną iš dviejų stale esančių griovelėlių. Priklausomai nuo atliekamo darbo, ant įžambaus matuoklio galima sumontuoti įžambaus matuoklio kreiptuvą, kuris naudojamas ir vietoj prapjovos kreiptuvo.

Dulkių surinkimo maišelis

Pav.34

Naudojant dulkių maišelį, pjovimo darbai yra švarūs, o dulkes lengva surinkti. Norėdami pritvirtinti dulkių maišelį, užmaukite jį ant dulkių antgalio.

Kai dulkių maišelis pripildomas maždaug iki pusės, nuimkite jį nuo įrankio ir ištraukite sklendę. Išplikite maišelio turinį, lengvai jį patapšnodami, kad nukristų visos prie vidinių sienelių prilipę dalelės, kurios galėtų sukliudyti tolesniam dulkių surinkimui.

Pav.35

Jeigu prie šio pjovimo įrankio prijungiate dulkių siurbį, galima atlikti dar efektyvesnes ir švaresnes operacijas.

Pav.36

Alkūnė

Pav.37

⚠DĖMESIO:

- Pasukite kampainio išmetimo angą tokia kryptimi, kad išmetamos dulkės ir nuolaužos nelėktų link įrankio ir aplinkui esančių žmonių.

Jeigu norite keisti dulkių išmetimo kryptį, naudokite kampainį.

Ruošinio pritvirtinimas

SPĖJIMAS:

- Nepaprastai svarbu visuomet tvirtai ir tinkamai spaustuvais pritvirtinti ruošinį. Jeigu to nepadarysite, galite sugadinti įrankį ir/arba sugadinti ruošinį. BE TO, PATYS GALITE SUSIŽEISTI. Be to, pabaigę pjauti, NEATKELKITE pjovimo disko tol, kol diskas visiškai nenustoja sukis.

Papildoma užtvara

Pav.38

Papildoma užtvara galima montuoti ant kreipiamojo aptvaro. Atlikdami kairinius įstrižus pjūvius arba pjovimui naudodami stalinio pjūklą (pjovimo staklių režimą), nuimkite papildomą užtvaramą.

DĖMESIO:

- Atlikdami kairinius įstrižus pjūvius arba pjaudami pjovimo staklėmis (staklių režimu), nuimkite papildomą užtvaramą. Nes kitaip ji liesis prie pjovimo disko arba kitos įrankio dalies, o tai gali baigtis sunkiu operatoriaus sužeidimu.

Vertikalus spaustuvas

Pav.39

Vertikalų spaustuva galima sumontuoti dviejose padėtyse - kairėje arba dešinėje kreiptuvo pusėje. Įkiškite spaustuvo strypą į kreiptuve esančią skylę ir užveržkite suveržimo varžtą, kad užtvirtintumėte spaustuvo strypą. Nustatykite spaustuvo rankeną pagal ruošinio storį ir formą ir užtvirtinkite ją, užverždami suveržimo varžtą. Jeigu spaustuvo rankenai užveržti skirtas varžtas liečia kreiptuvą, suveržimo varžtą sumontuokite iš priešingos spaustuvo rankenos pusės. Patikrinkite, ar visiškai nuleidus rankenėlę, jokia įrankio dalis nesiliečia prie spaustuvo. Jeigu kokia nors dalis liečiasi prie spaustuvo, pakeiskite spaustuvo padėtį. Prispauskite ruošinį prie kreiptuvo ir pasukite stalą. Nustatykite ruošinį į norimą pjovimo padėtį ir užtvirtinkite jį, tvirtai užverždami spaustuvo rankeną.

DĖMESIO:

- Ruošinyje turi būti tvirtai pritvirtintas prie sukiojamo stalo ir kreiptuvo.

Įrankio nustatymas darbui pjovimo staklių režimu

DĖMESIO:

- Prieš pradėdami naudoti įrankį pjovimo staklių režimu, patikrinkite, ar sukiojamas stalas suveržimo varžtu, esančiu ant kreiptuvo, pritvirtintas 0° laipsnių įžambiu kampu.
- Prieš pradėdami naudoti įrankį pjovimo staklių režimu, patikrinkite, ar įrankio galvutė užtvirtinta svirtelė.

- Prieš pradėdami naudoti įrankį pjovimo staklių režimu, patikrinkite, ar praktikimo peilis užtvirtintas tinkamoje padėtyje.
- Prieš pradėdami naudoti įrankį pjovimo staklių režimu, nuimkite apatinę pjovimo disko apsaugą C.
- Naudodami įrankį pjovimo staklių režimu, atlaisvinkite apatinės ribos stabdiklį.

Šis įrankis iš gamyklos pristatomas, nustatytas darbui įžmbsaus pjovimo režimu. Prieš pradėdami naudoti įrankį pjovimo staklių režimu, pakeiskite nustatymą ir vadovaukitės toliau pateiktais nurodymais.

1. Sukiojamo stalo tvirtinimas

Pav.40

Norėdami pritvirtinti sukiojamą stalą, tvirtai užveržkite ant kreiptuvo esantį suveržimo varžtą, nustatę 0° laipsnio įžambų kampą.

2. Įrankio galvutės užtvirtinimas

Pav.41

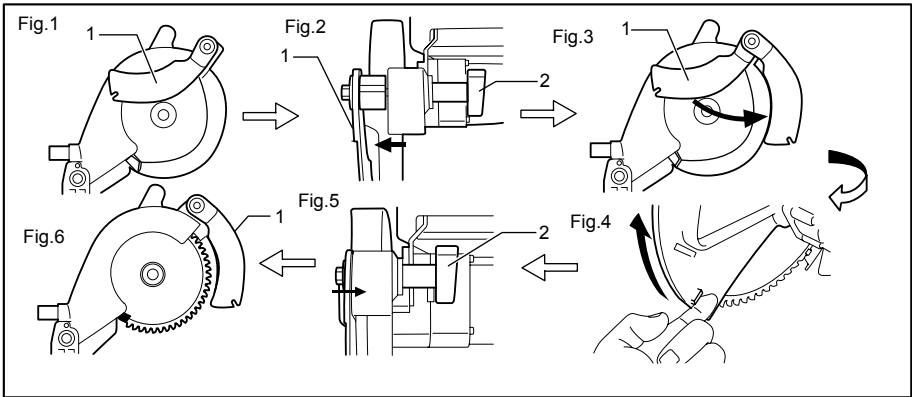
Užtvirtinkite įrankio galvutę, užverždami svirtelę, sukdami ją rodyklės kryptimi, kaip parodyta piešinyje.

3. Apatinės ribos stabdiklio atlaisvinimas

Pav.42

Patikrinkite, ar apatinės ribos stabdiklio galas yra A padėtyje, kaip parodyta piešinyje. Jeigu apatinės ribos stabdiklio galas yra B padėtyje, pasukite jį prieš laikrodžių rodyklę į A padėtį.

4. Prakirtimo peilio padėties pakeitimas



1. Prakirtimo peilis
2. Suveržimo veržlė

006068

Šią padėtį (1 pav.) reikėtų pakeisti tokiu būdu.

- (1) Atsukite suveržimo varžtą (2 pav.).
- (2) Patraukite ir pasukite prakirtimo peilį aplink ašį 90° kampu rodyklės kryptimi (3 pav.). Truputį spustelėkite jį, kad jis užsifikuotų šioje padėtyje.
- (3) Visiškai iškelkite apatinę pjovimo disko apsaugą A, ranka keldami už jos ašelės, tuo pačiu metu stumdami prie rankenėlės esančią svirtelę į kairę, po to atleiskite svirtelę (4 pav.).
- (4) Stumkite prakirtimo peilį rodyklės kryptimi (žr. 5 pav.), kol jis susilygiuos su pjovimo disku.
- (5) Pastūmę prakirtimo peilį rodyklės kryptimi, kaip parodyta piešinyje, nuleiskite apatinę pjovimo disko apsaugą A.
- (6) Sujugiąvę prakirtimo peilį, tvirtai užveržkite suveržimo veržlę (žr. 6 pav.).

5. Apatinės pjovimo disko apsaugos C nuėmimas

Pav.43

Atsukę suveržimo varžtą, nuimkite nuo stalo apatinę pjovimo disko apsaugą C.

6. Įrankio galvutės užfiksavimas visiškai nuleistoje padėtyje

Pav.44

Pav.45

Nustatę prakirtimo peilį darbui pjovimo staklių režimu, patraukite stabdiklį rodyklės A kryptimi ir pasukite jį 90° kampu rodyklės B kryptimi. Po to nuleiskite rankenėlę, kad užsifikuotų įrankio galvutė.

⚠ DĖMESIO:

- Jeigu visiškai nuleistoje padėtyje įrankio galvutės užfiksavimas negalimas, keletą kartų pasukite gylio reguliavimo rankenėlę pagal laikrodžio rodyklę.

- Prieš apversdami įrankį, visuomet patikrinkite, stabdiklio smaigas saugiai užfiksavo įrankio galvutę žemiausioje padėtyje.

7. Įrankio apvertimas

⚠ ĮSPĖJIMAS:

- Prieš apversdami įrankį, patikrinkite, ar įrankis išjungtas, o jo kištukas ištrauktas iš maitinimo tinklo.
- Spausdami žemyn svirtelę, saugokite rankas /pirštus ir laikykite jas/juos atokiau nuo svirtinio stalo montavimo zonos.

Pav.46

Norėdami apversti įrankį, viena ranka laikykite stalo vidurinį kraštą, kita ranka nuspauskite svirtelę žemyn, tuo pačiu metu tvirtai laikydami už stalo krašto, ir atsargiai sukite stalą aplink jo ašį. Laikykite ją tol, kol jis užsifikuos.

8. Viršutinės pjovimo disko apsaugos sumontavimas

Pav.47

Įspauskite viršutinės pjovimo disko apsaugos mygtuką, esantį jos dešiniajame šone, ir, laikydami nuspaudę mygtuką, įstatykite ją į prakirtimo peilio griovelį, po to atleiskite mygtuką. Atleidę mygtuką, patikrinkite, ar viršutinė pjovimo disko apsauga yra užfiksavusi, pabandydami ją ištraukti.

⚠ DĖMESIO:

- Sumontavę viršutinę pjovimo disko apsaugą, patikrinkite, ar ji veiki sklandžiai.

Įrankio nustatymas darbui kampinių pjovimo staklių režimu

⚠️ ĮSPĖJIMAS:

- Prieš pradėdami naudoti įrankį kampinių pjovimo staklių režimu, patikrinkite, būtinai sumontuokite apatinę pjovimo disko apsaugą.

Norėdami pakeisti pjovimo staklių režimą į žambaus pjovimo režimą, atlikite atvirkštinę procedūrą, aprašytą skyriuje „Įrankio nustatymas darbui pjovimo staklių režimu“.

1. Viršutinės pjovimo disko apsaugos nuėmimas

Įspauskite viršutinės pjovimo disko apsaugos mygtuką, esantį jo šone, po to tik pakelkite viršutinę apsaugą į viršų, laikydami nuspaudę mygtuką.

2. Apatinės pjovimo disko apsaugos C sumontavimas

Padėkite apatinę pjovimo disko apsaugą ant stalo taip, kad įtaisytumėte jį į stale esantį plyšį ir tvirtai užveržkite suveržimo varžtą.

3. Įrankio apvertimas

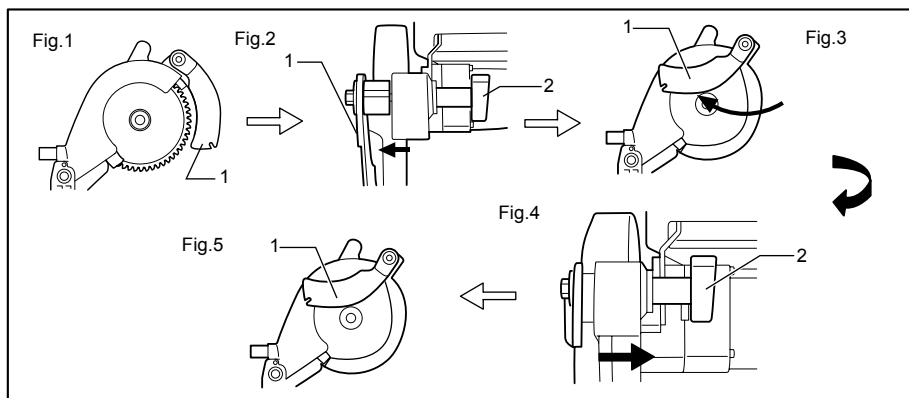
Skaitykite tokio paties pavadinimo dalį skyriuje „Įrankio nustatymas darbui pjovimo staklių režimu“.

4. Įrankio galvutės atlaisvinimas iš visiškai nuleistos padėties

Pav.48

Laikydami rankenėlę, patraukite fiksavimo smaigą rodyklės A kryptimi, pasukite ją 90° kampu rodyklės B kryptimi, laikydami nuleistą fiksavimo smaigą, po to lėtai pakelkite rankenėlę.

5. Prakirtimo peilio padėties pakeitimas



1. Prakirtimo peilis
2. Suveržimo varžlė

006075

Šią prakirtimo peilio padėtį (1 pav.) reikėtų pakeisti tokiu būdu.

- (1) Atlaisvinkite suveržimo varžlę ir laikykite ranka apatinę pjovimo disko apsaugą už jos ašselės (2 pav.).
- (2) Laikydami apatinę pjovimo disko apsaugą, patraukite prakirtimo peilį taip, kad jis suktyšų ir sukite jį aplink jo ašį rodyklės kryptimi (3 pav.).
- (3) Laikydami prakirtimo peilį tokioje padėtyje, sugražinkite apatinę pjovimo disko apsaugą į jos pradinę padėtį ir tvirtai užveržkite suveržimo varžlę (4, 5 pav.).

NAUDOJIMAS

⚠️ DĖMESIO:

- Prieš pradėdami naudoti įrankį, būtinai atleiskite rankenėlę iš žemiausios padėties, ištraukdami fiksavimo smaigą ir pasukdami ją 90° kampu.
- Prieš įjungdami jungiklį, patikrinkite, ar pjovimo diskas neliiečia ruošinio ir pan.

PJOVIMAS ĮŽAMBAUS PJOVIMO PJŪKLU

⚠️ ĮSPĖJIMAS:

- Prieš pradėdami naudoti žambaus pjovimo režimą, patikrinkite, ar uždėta apatinė pjovimo disko apsauga C.

⚠️ DĖMESIO:

- Pjaudami, per daug nespauskite rankenėlės. Per didelė jėga gali sukelti variklio perkrovą ir/arba sumažinti pjovimo efektyvumą. Spauskite

rankenėlę žemyn tik tokia jėga, kokios reikia sklandžiam pjovimui ir smarkiai nedidinkite disko sukimosi greičio.

- Norėdami atlikti pjūvį, atsargiai nuspauskite rankenėlę žemyn. Jeigu nuspausite rankenėlę jėga arba naudosite šoninę jėgą, diskas pradės vibruoti ir paliks ant ruošinio žymes (pjovimo žymes), todėl pjūvio tikslumas bus prastas.

1. Pjovimas, naudojant spaudimą

Pav.49

Prispauskite ruošinį prie kreiptuvo ir sukiojamo stalo. Įjunkite įrankį - pjovimo diskas neturi liesti ruošinio - ir, prieš nuleisdami diską, palaukite, kol jis pradės sukis visu greičiu. Po to atsargiai iki galo žemyn nuleiskite rankenėlę ir pradėkite pjauti ruošinį. Pabaigę pjauti, išjunkite įrankį ir, prieš atkeldami diską, PALAUKITE, KOL JIS VISIŠKAI NUSTOS SUKTIS.

2. Įžambus pjovimas

Žr. anksčiau aprašytą skyrių „Įžambaus kampo nustatymas“.

3. Įstrižasis pjovimas

Pav.50

Norėdami nussatyti įstrižą kampa, atlaisvinkite svirtelę ir pakreipkite pjovimo diską (žr. anksčiau aprašytą skyrių „Įstrižo kampo nustatymas“). Patikrinkite, ar nustatę pasirinktą įstrižą kampa, tvirtai užveržėte svirtelę. Prispauskite ruošinį prie kreiptuvo ir sukiojamo stalo. Įjunkite įrankį - pjovimo diskas neturi liesti ruošinio - ir palaukite, kol jis pradės sukis visu greičiu. Po to atsargiai nuleiskite rankenėlę į žemiausią padėtį, tuo pačiu metu lygiagrečiai spausdami pjovimo diską. Pabaigę pjauti, išjunkite įrankį ir, prieš atkeldami diską, PALAUKITE, KOL JIS VISIŠKAI NUSTOS SUKTIS.

⚠DĖMESIO:

- Įstrižojo pjovimo metu pjovimo diskas turi judėti įstrižai. Saugokite rankas, kad jos neatsidurtų pjovimo disko kelyje.
- Įstrižojo pjūvio metu gali atsistoti taip, kad nupjautoji dalis bus prispausta prie pjovimo disko šono. Jeigu pjovimo diską atkelsite kai diskas vis dar sukasi, diskas šią nupjautą dalį gali išukti ir pradėti svaidyti nuolaužas, o tai pavojinga. Pjovimo diską galima atkelti TIK tada, kai jis visiškai sustoja.
- Nuspausdami rankenėlę žemyn, kartu spauskite ir pjovimo diską. Jeigu pjovimo metu pjovimo diskas atitinkamai nespaudžiamas, disko pjovimo kampas gali pakisti ir pjūvis bus netikslus.
- Atlikdami kairinius įstrižus pjūvius, visada nuimkite papildomą užtvarą.

4. Kombinuotasis pjovimas

Kombinuotasis pjovimas - tai procesas, kai ruošinys tuo pačiu metu pjaunamas įstrižu ir įžambiu kampu. Kombinuotajį pjovimą galima atlikti lentelėje nurodytais kampais.

Įstrižasis kampas	Įžambusis kampas
45°	Kairysis ir dešinysis 0°- 45°

006366

Atlikdami kombinuotąjį pjovimą, žr. paaiškinimus skyriuose „Pjovimas, naudojant spaudimą“, „Įžambus pjovimas“ ir „Įstrižasis pjovimas“.

5. Forminių aliuminio ruošinių pjovimas

Pav.51

Forminių aliuminio ruošinių pritvirtinimui naudokite atramines trinkeles arba metalo gabalėlius, kaip parodyta piešinyje, kad aliuminius nesideformuotų. Pjaudami forminius aliuminio ruošinius, naudokite pjovimo tepalą, kad prie disko nepriplūtų aliuminio dalelių.

⚠DĖMESIO:

- Niekada nebandykite pjauti storų arba apvalių forminių aliuminio ruošinių. Darbo metu stori forminiai aliuminio ruošiniai gali išsprūsti, o apvalių aliuminio dirbinių prie šio įrankio negalima tvirtai pritvirtinti.
- Niekad nepjaukite aliuminio pjovimo staklių režimu (staklių režimu).

PVOJIMAS PJOVIMO STAKLĖMIS (STAKLIŲ REŽIMU)

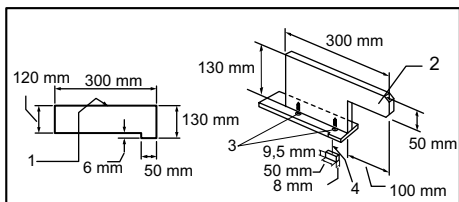
⚠DĖMESIO:

- Visuomet naudokite „pagalbinės priemonės“, pavyzdžiui stūmiklius ir stūmimo trinkeles, kur rankomis arba pirštais pastumti pavojinga ir galima susižeisti į pjovimo diską.
- Ruošinyje turi tvirtai gulėti ant stalo, prispaustas prie prapjovos kreiptuvo. Stumdami ruošinį, niekada jo nesulenkite ir nepasukite. Jeigu ruošinys sulenktas arba perkreiptas, galima pavojinga atitranka.
- Diskui sukantis, NIEKADA nepaleiskite ruošinio. Jeigu prieš pabaigiant pjauti, ruošinį reikia paleisti, pirmiausia, tvirtai laikydami, išjunkite įrankį. Prieš paleisdami ruošinį, palaukite, kol pjovimo diskas visiškai sustos. Nesilaikant šių nurodymų, gali atsirasti pavojinga atitranka.
- NIEKADA nenuimkite nupjautų dalių, kol pjovimo diskas sukasi.
- NIEKADA neikiškite rankų arba pirštų prie pjovimo disko.
- Visada tvirtai užtvirtinkite prapjovos kreipiklį, nes kitaip gali atsirasti pavojinga atitranka.
- Pjaudami mažus ar siaurus ruošinius arba kai pjaunant nesimato galvutės, visada naudokitės „pagalbinėmis priemonėmis“, pavyzdžiui, stūmimo lazdomis arba stūmimo trinkelėmis.
- Pjaudami pjovimo staklėmis (staklių režimu), nuimkite papildomą užtvarą.

Pagalbinės priemonės

Stūmikliai, stūmimo trinkelės arba papildomas kreiptuvas - tai „pagalbinių priemonių“ rūšys. Naudokitės jais, kad pjauti būtų saugu, o operatoriui nereikėtų liestis prie pjovimo disko.

Stūmimo lazda



1. Išorinė/krašto lygiagrete
2. Rankena
3. Medvaržtis
4. Nukreipti kartu

006080

Naudokite 19 mm storio klijuotos faneros gabalėlį.

Rankena turi būti faneros gabalėlio viduryje. Pritvirtinkite ją kljais ir mediniais varžtais, kaip parodyta. Prie faneros reikia priklijuoti mažą 9,5 mm x 8 mm x 50 mm medžio gabalėlį, kad diskas neatbukintų trinkelės, jeigu operatorius netyčia į ją įpjautų. (Stūmimo trinkelėje niekad nenaudokite vinių).

Pagalbinis kreipiklis

Pav.52

Iš 9,5 mm ir 19 mm faneros juostelių pasidarykite atsarginį kreipiklį.

Prapjovimas

⚠DĖMESIO:

- Atlikdami prapjovimą, nuimkite nuo stalo kampinį matuoklį.
- Pjaudami ilgus arba didelius ruošinius, visuomet naudokite tinkamas atramas. NELEISKITE, kad ant stalo padėta ilga lenta pajudėtų arba pasisuktų. Dėl to pjovimo diskas gali sulinkti ir gali padidėti atatranks galimybė, taip padidindama susižeidimo pavojų. Atrama turi stovėti tokiaime pačiame aukštyje kaip ir stalas.

1. Pjovimo gylį nustatykite truputį aukščiau už ruošinio storį. Norėdami atlikti šį nustatymą, žr. skyrių „Pjovimo gylio nustatymas“.
2. Nustatykite prapjovos kreiptuvą pagal norimą prapjovos plotį ir užveržkite jį suveržimo varžtu (A). Prieš pradėdami prapjovimą, patikrinkite, ar užveržti du prapjovos kreiptuvą laikantys varžtai. Jeigu kreiptuvas nepakankamai užtvirtintas, stipriau užveržkite varžtus.
3. Įjunkite įrankį ir atsargiai stumkite ruošinį link pjovimo disko, išilgai prapjovos kreipiklio.

- (1) Jeigu prapjovos plotis yra 150 mm ir didesnis, atsargiai viena ranka stumkite ruošinį. Kita ranka laikykite ruošinį, prispaudę prie prapjovos kreiptuvo.

Pav.53

- (2) Jeigu prapjovos plotis yra 65 - 150 mm, ruošinį stumkite stūmimo lazda.

Pav.54

- (3) Jeigu prapjova siauresnė nei 65 mm ir stūmiklio nenaudokite, nes jis atsitrenks į pjovimo disko apsaugą. Tokiu atveju naudokite papildomą kreiptuvą ir stūmimo trinkelę. Dviem „C“ veržikliais pritvirtinkite papildomą kreiptuvą prie prapjovos kreiptuvo.

Pav.55

Stumkite ruošinį ranka, kol nuo stalo krašto liks maždaug 25 mm galas. Toliau stumkite, naudodami ant pagalbinių kreiptuvo viršaus esančią stūmimo trinkelę, kol pabaigsite pjauti.

Pav.56

Skersinis pjovimas

⚠DĖMESIO:

- Atlikdami skersinį pjūvį, nuimkite nuo stalo prapjovos kreiptuvą.
- Pjaudami ilgus arba didelius ruošinius, visuomet naudokite tinkamas atramas. Atrama turi stovėti tokiaime pačiame aukštyje kaip ir stalas.
- Rankas laikykite atokiai nuo pjovimo disko.

Įžambus matuoklis

Kampinį matuoklį naudokite 4 rūšių pjūviams, kaip parodyta piešinyje.

Pav.57

⚠DĖMESIO:

- Atsargiai užveržkite kampinio matuoklio rankenėlę.
- Naudokite spaustuvus ir prilaikykite ruošinį, kad jis ir matuoklis nepasislinktų, ypač pjaudami kampu.
- NIEKADA nelaiykite ir negriebkite „nupjautos“ ruošinio dalies.

Įžambaus matuoklio naudojimas

Pav.58

Slinkite kampinį matuoklį storais stalo grioveliais. Tlaisvinkite matuoklio rankenėlę ir nustatykite norimą kampą (nuo 0° iki 60°). Atremkite ruošinį į kreiptuvą ir atsargiai stumkite jį link pjovimo disko.

Papildoma medžio apsauga (kampinis matuoklis)

Pav.59

Norėdami, kad ilga lenta nesvirduliuotų, prie kampinio matuoklio pritaisykite papildomą kreiptuvo plokštę. Išgręžę skylės, priveržkite varžtais/veržlėmis, tačiau žiūrėkite, kad tvirtinimo detalės nekyšotų iš priekinės plokštės pusės.

Įrankio nešimas

Pav.60

Patikrinkite, ar įrankis išjungtas. Jieug įrankis naudojamas tik kampinių pjovimo staklių režimu, diską tvirtinkite, nustatę 0° įstrižą kampa, sukiojamą stalą taip pat pasukite 0° nuožulnimo kampu. Iki galo nuleiskite rankenėlę į žemiausią padėtį, visiškai įstumdami fiksavimo smaigą.

Įrankį neškite laikydami už piešinyje parodytos dalies.

Pav.61

⚠DĖMESIO:

- Prieš nešdami įrankį, būtinai užtvirtinkite visas judamas dalis.
- Prieš pradėdami nešti įrankį, visuomet nustatykite jį kampinių pjovimo staklių režimu.
- Patikrinkite, ar ant įrankio sumontuota apatinė pjovimo disko apsauga C.

TECHNINĖ PRIEŽIŪRA

⚠DĖMESIO:

- Prieš apžiūrėdami ar taisydami įrenginį visada patikrinkite, ar jis išjungtas, o laido kištukas - ištrauktas iš elektros lizdo.
- Niekada nenaudokite gazolino, benzino, tirpiklio, spirito arba panašių medžiagų. Gali atsirasti išblukimų, deformacijų arba įtrūkimų.

⚠ĮSPĖJIMAS:

- NORėdami, kad įrankis puikiai ir suagiai veiktų, nuolat tikrinkite, ar jo pjovimo diskas aštrus ir švarus.

Pjovimo kampo nustatymas

Šis įrankis gamykloje buvo kruopščiai nustatytas ir sulygiuotas, tačiau jo neprižiūrint, sulygiavimas gali išsireguliuoti. Jeigu įrankis sulygiuotas netinkamai, atlikite tokius veiksmus:

1. Nuožulnus kampas

Pav.62

0° nuožulnimo kampa reguliuojantys varžtai išdėstyti keturiose vietose.

Atlaisvinkite keturis 0° nuožulnimo kampa nustatančius varžtus, esančius stalo apačioje, sukdami prieš laikrodžio rodyklę.

Iki galo nuleiskite rankenėlę ir užfiksukite ją nuleistoje padėtyje, ištraukdami ir pagal laikrodžio rodyklę pasukdami fiksavimo smaigą 90° kampu. Trikampe liniuote, kampainiu ir t.t. nustatykite statų kampa tarp pjovimo disko ir kreiptuvo priekio. Po to tvirtai užveržkite keturis reguliavimo varžtus, esančius ant papildomos rankenėlės, kuri yra stalo apačioje. Patikrinkite, ar rodyklė ant kampinės skalės rodo 0° kampa. Jeigu ne, pareguliuokite rodyklę, atsukę ją laikantį varžtą. Nustatę ją, tvirtai priveržkite varžtą.

Pav.63

2. Įstrižasis kampas

Pav.64

(1) 0° įstrižumo kampas

Iki galo nuleiskite rankenėlę ir užfiksukite ją nuleistoje padėtyje, ištraukdami ir pagal laikrodžio rodyklę pasukdami fiksavimo smaigą 90° kampu. Atlaisvinkite įrankio gale esančią svirtelę.

NORėdami pakreipti pjovimo diską į dešinę, iš stalo apačios pusės du ar tris apsisukimus pasukite 0° įstrižumo kampo reguliavimo varžtą, esantį dešinėje papildomos rankenėlės pusėje, sukdami prieš laikrodžio rodyklę.

Tiksliai nustatykite pjovimo disko kraštą ir sukiojamo stalo paviršių stačiu kampu, naudodami trikampę liniuotę, kampainį ir t.t., pagal laikrodžio rodyklę sukdami 0° įstrižo kampo reguliavimo varžtą.

Pav.65

Patikrinkite, ar ant sukiojamo stalo esanti rodyklė rodo 0° kampa įstrižumo skalėje, esančioje ant rankenėlės. Jeigu rodyklė nerodo 0° kampo, atsukite varžtą, kuris laiko rodyklę ir pareguliuokite ją, kad ji rodytų 0° kampa.

Pav.66

(2) 45° įstrižumo kampas

NUstatykite 45° įstrižą kampa tik po to, kai nustatysite 0° įstrižumo kampa. NORėdami nustatyti 45° įstrižą kampa, atlaisvinkite svirtelę ir iki galo į kairę pakreipkite pjovimo diską. Patikrinkite, ar ant rankenėlės esanti rodyklė rodo 45° kampa įstrižumo skalėje, esančioje ant rankenėlės. Jeigu rodyklė nerodo 45° kampo, sukite (iš stalo apačios pusės) papildomos rankenėlės kairėje esantį šio kampo reguliavimo varžtą, kol rodyklė rodys 45° kampa.

Anglinių šepetėlių keitimas

Pav.67

Periodiškai išimkite ir patikrinkite anglinius šepetėlius. Pakeiskite juos, kai nusidėvi iki ribos žymės. Laikykite anglinius šepetėlius švarius ir laisvai įslenkančius į laikiklius. Abu angliniai šepetėliai turėtų būti keičiami tuo pačiu metu. Naudokite tik identiškus anglinius šepetėlius.

Jei norite nuimti šepetėlių laikiklių dangtelius, pasinaudokite atsuktuvu. Išimkite sudėvėtus anglinius šepetėlius, įdėkite naujus ir įtvirtinkite šepetėlį laikiklio dangtelį.

Pav.68

Po naudojimo

- Pabaigę darbą, skudurėliu nuvalykite prie įrankio prilipusias atplaišas ir dulkes, kad įrankis ilgiau tarnautų. Atitinkamai pagal anksčiau skyriuje „Pjovimo disko apsauga“ išdėstytus nurodymus, pjovimo disko apsaugos turi būti laikomos švariai. Judamas dalis patepkite mašinine alyva, kad jos nerūdytų.

Kad gaminys būtų SAUGUS ir PATIKIMAS, jį taisyti, apžiūrėti ar vykdyti bet kokią kitą priežiūrą ar derinimą turi įgaliotasis kompanijos „Makita“ techninės priežiūros centras; reikia naudoti tik kompanijos „Makita“ pagamintas atsargines dalis.

PASIRENKAMI PRIEDAI

DĖMESIO:

- Su šiaime vadove aprašytu įrenginiu „Makita“ rekomenduojama naudoti tik nurodytus priedus ir papildomus įtaisus. Jeigu bus naudojami kitokie priedai ar papildomi įtaisai, gali būti sužaloti žmonės. Priedus arba papildomus įtaisus naudokite tik pagal paskirtį.

Jeigu norite daugiau sužinoti apie tuos priedus, kreipkitės į artimiausią „Makita“ techninės priežiūros centrą.

- Plieniniai pjovimo diskai ir diskai su karbidu padengtais galais
- Vertikalus spaustuvas
- 6 nr. šešiakampis veržliaraktis
- Dulkių surinkimo maišelis
- Trikampė liniuotė
- Dulkių gaubtas (apatinė pjovimo disko apsauga C)
- Stūmimo lazda
- Liniuotės komplektas (prapjovos kreiptuvas)
- Įžambus matuoklis
- Fiksavimo plokštės (3 vienetai)
- Šešiakampiai varžtai (3 vienetai)
- Alkūnė
- Viršutinis gaubtas (Viršutinė pjovimo disko apsauga)

PASTABA:

- Kai kurie sąraše esantys priedai gali būti pateikti įrankio pakuotėje kaip standartiniai priedai. Jie įvairiose šalyse gali skirtis.

EESTI (algsed juhised)

Üldvaate selgitus

1-1. Reguleerimismutter	22-4. Sisemine flanš	41-1. Hoob
1-2. Jalam	22-5. Võll	42-1. Alampiiri stopper
2-1. Kuuskant polt	22-6. Rõngas	42-2. Reguleerimispol
2-2. Fikseerige plaat	23-1. Fiksaatormutter	43-1. Pitskruvi
3-1. U-kujulised sooned	23-2. Kuuskantpesapolt	44-1. Stoppernõel
4-1. Alumine terakaitse A	23-3. Lõhestusnuga	45-1. Saepea on lukustatud madalaimasse asendisse
4-2. Alumine terakaitse B	24-1. Lõhestusnuga	46-1. Hoob
5-1. Alumine terakaitse C (kasutatakse ainult eerungsarežiimis)	24-2. Saetera	46-2. Hoova piirkond, kuhu asetatakse käsi/sõrm
6-1. Nupp	25-1. Tera laiuis	46-3. Haakeosad
6-2. Lõhestusnuga	25-2. Lõhestusnuga	47-1. Nupp
6-3. Pealmine terakaitse (kasutatakse lauasae režiimis)	25-3. Kuuskantpesapolt	47-2. Lõhestusnuga
7-1. Eerungiplaadi ülapind	26-1. Piirde hoidik	47-3. Pealmine terakaitse (kasutatakse lauasae režiimis)
7-2. Tera kaugem osa	26-2. Juhtrööbas	48-1. Stoppernõel
7-3. Juhtpiire	26-3. Pitskruvi (A)	49-1. Kinnitusrakis (Abiseade)
8-1. Alampiiri stopper	26-4. Pitskruvi (B)	50-1. Kinnitusrakis (Abiseade)
8-2. Reguleerimispol	26-5. Lõikejuhtjoonlaud	51-1. Kinnitusrakis
8-3. Mutter	27-1. Lõikejuhtjoonlaud	51-2. Distantklots
9-1. Pitskruvi	27-2. Piirde hoidik	51-3. Juhtpiire
9-2. Juhtpiire	27-3. Joon, millega joondada: joon (A)	51-4. Alumiiniumekstrusioon
10-1. Käepide	27-4. Saetera	51-5. Distantklots
10-2. Eerungilaud	27-5. Ülalaud	52-1. Esikülje/servaga paralleelne
11-1. Hoob	27-6. Töödeldav detail	54-1. Tõukevarras
12-1. Käepide	28-1. Lõikejuhtjoonlaud	55-1. Lisapiire
13-1. Hoob	28-2. Piirde hoidik	56-1. Tõukeklots
13-2. Lõikesügavuse reguleerimisnupp	28-3. Saetera	56-2. Lisapiire
14-1. Lüliti eerungsarežiimis	29-1. Lõikejuhtjoonlaud	57-1. Ristilõikamine
14-2. Lüliti lauasaerežiimis	29-2. Piirde hoidik	57-2. Kaldlõikamine
14-3. Lahtilukustuse nupp	29-3. Nelikantmutter	57-3. Fassetlõikamine
14-4. Lüliti päästik	29-4. Pitskruvi (A)	57-4. Liit-kaldlõikamine (nurgad)
14-5. Käepide	29-5. Pitskruvi (B)	58-1. Soon
14-6. Hoob	30-1. Skaala	58-2. Eerungimõõdik
14-7. Sisselülitusnupp	31-1. Lõikejuhtjoonlaud	58-3. Nupp
14-8. Väljalülitusnupp	31-2. Piirde hoidik	60-1. Stoppernõel
15-1. Lõikesügavuse reguleerimisnupp	31-3. Reguleerkruvi	61-1. Tööriista osa, millest hoitakse kandmisel
16-1. Stoppernõel	32-1. Lõikejuhtjoonlaud	63-1. Kolmnurkjoonlaud
17-1. Kuuskantvõti	32-2. Saetera	63-2. Saetera
17-2. Mutrivõtme hoidik	32-3. Ülemine terakaitse	63-3. Juhtpiire
18-1. Kuuskantpesapolt	33-1. Eerungimõõdiku piire	64-1. 0° reguleerimispol
18-2. Kuuskantvõti	33-2. Eerungimõõdik	64-2. 45° reguleerimispol
18-3. Võllilukk	33-3. Sooned	65-1. Kolmnurkjoonlaud
19-1. Hoob	34-1. Tolmuotsak	65-2. Saetera
19-2. Tõstehoob	34-2. Tolmukott	65-3. Eerungilaua ülapind
20-1. Saetera	35-1. Tolmukott	66-1. Latt
20-2. Alumine terakaitse B	35-2. Fiksaator	66-2. Kaldenurga skaala
21-1. Terakorpus	37-1. Piirde hoidik	66-3. Osuti
21-2. Nool	37-2. Põlv	66-4. Eerungilaud
21-3. Saetera	39-1. Kinnitusrakise nupp	67-1. Piirmärgis
21-4. Nool	39-2. Kinnitusrakise varras	68-1. Harjahoidiku kate
22-1. Kuuskantpesapolt	39-3. Pitskruvi	68-2. Kruvikeeraja
22-2. Välimine flanš	39-4. Kinnitusrakise latt	
22-3. Saetera	39-5. Juhtpiire	
	40-1. Pitskruvi	
	40-2. Juhtpiire	

TEHNILISED ANDMED

Mudel	LF1000
Tera läbimõõt	260 mm
Tera paksus	1,8 mm - 2,0 mm
Lõhestusnoa paksus	2,2 mm
Augu läbimõõt	
Euroopa riigid	30 mm
Max lõikeulatus (K x L) tera läbimõõduga 260 mm eerungsaerežiimis	

Fassettnurk	Eerunginurk
0°	20 mm x 180 mm
	68 mm x 155 mm
45° (vasak)	50 mm x 150 mm

Max lõikeulatus 90° lausaerežiimis (saepingirežiimis)	70 mm
Pöörlemissagedus koormuseta (min ⁻¹)	2 700
Laua suurus (L x P)	500 mm x 555 mm
Mõõtmed (P x L x K1 (märkus 1) / K2 (märkus 2)) eerungsaerežiimis	660 mm x 650 mm x 1 220 mm / 800 mm
lauasaerežiimis	660 mm x 650 mm x 1 060 mm / 845 mm
Netomass	36 kg
Kaitseklass	IP II

Märkus 1 K1: Kõrgus tööriista otsani

Märkus 2 K2: Kõrgus lauani

- Meie jätkuva teadus- ja arendustegevuse programmi tõttu võidakse siin antud tehnilisi andmeid muuta ilma ette teatamata.
- Tehnilised andmed võivad olla riigiti erinevad.
- Kaal vastavalt EPTA protseduurile 01/2003

END213-8

Sümbolid

Järgnevalt kirjeldatakse seadmetel kasutatavaid tingimärke. Veenduge, et olete nende tähendusest aru saanud enne seadme kasutamist.



- Lugege kasutusjuhendit.



- KAHEKORDNE ISOLATSIOON



- Vältimaks õhkupaiskuvast prahist põhjustatud kehavigastust jätkake pärast lõikamiste teostamist saepea all hoidmist, kuni lõiketera on täielikult seiskunud.



- Ärge asetage kätt ega sõrmi lõiketera lähedusse.



- Ohutuse tagamiseks eemaldage laualt laastud, väikesed tükid jne enne toimingute teostamist.



- Enne tööriista pööramist ümber telje tõmmake toitejuhe voolukontaktist välja.



- Kandmisel seadke käed õigesti.



- Juhtjoonlaua paigaldamisel või eemaldamisel ärge kergitage selle ülemist otsa.



- Poldi vabastamiseks pöörake seda päripäeva.



- Üksnes ELi liikmesriikidele Ärge käideldge kasutuskõlbatuks muutunud elektriseadmeid koos olmejäätmetega!

Vastavalt Euroopa Parlamendi ja Nõukogu direktiivile elektri- ja elektroonikaseadmete jäätmete kohta ning direktiivi nõuete kohaldamisele liikmesriikides tuleb kasutuskõlbatuks muutunud elektriseadmed koguda eraldi ja keskkonناسäästlikult korduskasutada või ringlusse võtta.

ENE061-1

Ettenähtud kasutamine

Tööriist on ette nähtud puidu täpseks sirgjooneliseks ja faasimiseks. Tööriista saab kasutada nii nurgasae režiimis kui ka lausaee režiimis, lauda ümber oma telje pöörates.

Toiteallikas

Seadet võib ühendada ainult andmesilidil näidatud pingele vastava pingega toiteallikaga ning seda saab kasutada ainult ühefaasilisel vahelduvvoolutoitel. Seadmel on kahekordne isolatsioon ning seega võib seda kasutada ka ilma maandusjuhtmeta pistikupesassa ühendatult.

ENG905-1

Müra

Tüüpiline A-korrigeeritud müratase vastavalt EN61029:

Müraõhutamise (L_{pA}): 91 dB (A)
 Müra võimsustase (L_{WA}): 108 dB (A)
 Määramatus (K): 3 dB (A)

Kandke kõrvakaitsmeid

ENG900-1

Vibratsioon

Vibratsiooni koguväärtus (kolmeteljeliste vektorite summa) määratud vastavalt EN61029:

Vibratsioonitase (a_h): 2,5 m/s² või vähem
 Määramatus (K): 1,5 m/s²

ENG901-1

- Deklareeritud vibratsiooniemissiooni väärtus on mõõdetud kooskõlas standardse testimismeetodiga ning seda võib kasutada ühe seadme võrdlemiseks teisega.
- Deklareeritud vibratsiooniemissiooni väärtust võib kasutada ka mürataseme esmaseks hindamiseks.

△HOIATUS:

- Vibratsioonitase võib elektritööriista tegelikkuses kasutamise ajal erineda deklareeritud väärtusest sõltuvalt tööriista kasutamise viisidest.
- Rakendage kindlasti operaatori kaitsmiseks piisavaid ohutusabinõusid, mis põhinevad hinnangulisel müratasemel tegelikus tööolukorras (võttes arvesse tööperioodi kõik osad nagu näiteks korrad, mil seade lülitatakse välja ja mil seade töötab tühikäigul, lisaks tööajale).

ENH003-15

Ainult Euroopa riigid**EÜ vastavusdeklaratsioon**

Makita deklareerib, et alljärgnev(ad) masin(ad):

Masina tähistus:

Pöördsaaug

Mudeli Nr/ Tüüp: LF1000

Vastavad alljärgnevatele Euroopa Parlamendi ja nõukogu direktiividele:

2006/42/EC

Need on toodetud vastavalt järgmistele standarditele või standardiseeritud dokumentidele:

EN61029

Tehniline fail, mis on kooskõlas direktiiviga 2006/42/EÜ, on saadaval ettevõttes:

Makita, Jan-Baptist Vinkstraat 2, 3070, Belgia



000331

Yasushi Fukaya
 Direktor

Makita, Jan-Baptist Vinkstraat 2, 3070, Belgia

GEA010-1

Üldised elektritööriistade ohutusohiatused

△ HOIATUS Lugege läbi kõik ohutusohiatused ja juhised. Hoiatuste ja juhiste mittejärgmine võib põhjustada elektrišokki, tulekahju ja/või tõsisid vigastusi.

Hoidke alles kõik hoiatused ja juhised edaspidisteks viideteks.

ENB094-6

**PÖÖRDSAE
OHUTUSHOIATUS**

NII NURGASAE REŽIIMI KUI KA LAUASAE (SAEPINGI) REŽIIMI KOHTA:

- Enne töö alustamist kontrollige hoolikalt, ega lõiketeral pole pragusid või deformatsioone. Vahetage kahjustunud lõiketera kohe välja.
- Ärge töötage saega, kui selle kaitsepiirded ja lõhestusnuga ei paikne õigel kohal, eriti pärast režiimi vahetamist. Enne igat kasutuskorda kontrollige, kas lõiketera kaitsepiirded sulguvad nõuetekohaselt. Ärge töötage saega, kui lõiketera kaitsepiirded ei liigu vabalt ega sulgu kohe. Ärge klammerdage ega siduge lõiketera kaitsepiirdeid avatud asendisse. Lõiketera kaitsepiirete igasugust tavapäratut toimimist tuleb kohe korrigeerida.
- Kasutage ainult tootja poolt kindlaks määratud saeteri, mis vastavad standardile EN847-1. Lõikesoone laius peab olema suurem kui lõhestusnoa paksus ja lõiketera põhiosa peab olema õhem kui lõhestusnoa paksus.
- Ärge kasutage kiirlõiketerasest valmistatud saeterasid.
- Kasutage silmakaitseid.
- Kandke kuulmiskaitsmeid, et vähendada kuulmiskaotuse ohtu.
- Kandke kindaid saeterade (saeteri tuleb võimaluse korral alati kanda hoidikus) ja karedate materjalide käsitsemisel.
- Saagimisel ühendage tööriist tolmu kogumisseadmega.
- Varustage ennast alati tõukurtokiga.

10. Hoidke pörand tööriista asetuskoha ümbruses hooldatuna ja vaba lahtistest materjalidest, nt laastud ja mahalõigatud tükid.
11. Operaator on saanud piisava väljaõppe tööriista kasutamiseks, reguleerimiseks ja talitluseks.
12. Enne sae jätmist järelevalveta seisake see ja ühendage vooluallikast lahti.
13. Müra vähendamiseks veenduge alati, et lõiketera on terav ja puhas.
14. Kasutage ainult selliseid saeteri, mille märgitud maksimaalne kiirus on võrdne tööriistale märgitud koormuseta kiirusega või sellest kõrgem.
15. Ärge eemaldage mahalõigatud tükke ega teisi töödeldava detaili osi lõikamispiirkonnast sel ajal, kui tööriist töötab kaitsekatteta saeteraga.
16. Tööriista ei tohiks kasutada soonte lõikamiseks, sulundamiseks ega kanalite sisselõikamiseks.
17. Lõiketera paigaldamisel või enne seda puhastage vooli, äärikuid (eriti nende paigalduspinda) ja kinnituspolti ning olge ettevaatlik vältimaks nende vigastamist. Nende osade kahjustused võivad põhjustada ketta purunemise. Väär paigaldus võib põhjustada lõiketera vibratsiooni/vibamise või libisemise. Kasutage ainult äärikuid, mis on mõeldud kasutamiseks koos antud tööriistaga.
18. Kasutage alati selles kasutusjuhendis soovitatud tarvikuid. Sobimatute tarvikute nagu lihvketaste kasutamine võib põhjustada kehavigastuse.
19. Valige saetera vastavalt lõigatavale materjalile.
20. Vältige sisselõikamist metallobjektidesse, nagu naelad ja kruvid. Enne toimingute teostamist kontrollige töödeldavat detaili ja eemaldage sellest kõik naelad, kruvid ja muud võõrkehad.
21. ENNE lõikamist koputage töödeldavast detailist välja mis tahes lahtised oksakohad.
22. Ärge kasutage tööriista tuleohtlike vedelike või gaaside läheduses.
23. Enda ohutuse tagamiseks eemaldage tööpiirkonnast ja laualt laastud, väikesed tükid jne enne tööriista vooluvõrku ühendamist ja toimingu alustamist.
24. Vältige käte sattumist saetera liikumisteele, seadke iseennast ja juuresolija väljaspool saetera liikumisteed asuvalle positsioonile ning mitte saetera taha. Vältige kokkupuudet mis tahes vabakäigul liikuva lõiketeraga. See võib põhjustada tõsiseid kehavigastusi ning ärge kunagi küünitage ümber saetera.
25. Olge alati valvas, eriti korduvate ja monotoonsete toimingute teostamisel. Ärge laske end petta näilisest turvatundest. Lõiketerad on äärmiselt halastamatud.
26. Enne lüliti sissevajutamist veenduge, et voolilukk on vabastatud.
27. Enne tööriista kasutamist tegelikus töökeskkonnas laske sellel mõnda aega töötada. Jälgige vibratsiooni või vibamist, mis võib tähendada väärat paigaldust või halvasti tasakaalustatud lõiketera.
28. Enne lõikamist oodake, kuni lõiketera saavutab täiskiiiruse.
29. Hoiduge töödeldava detaili küljest mahalõigatud tükide ja muude osade eemaldamisest lõikamispiirkonnast, kui tööriist töötab ja saepa pole ooteasendis.
30. Kui märkate midagi ebaharilikku, peatage töö viivitamatult.
31. Enne töödeldava detaili liigutamist või seadete muutmist lülitage tööriist välja ja oodake, kuni saetera seiskub.
32. Enne lõiketera vahetamist ja tööriista hooldamist või siis, kui tööriista ei kasutata, tõmmake toitejuhe voolukontaktist välja.
33. Töö käigus tekkinud tolm võib sisaldada kemikaale, mida teatakse kui vähki-, sünnidefekte või muid soo jätkamisega seotud kahjustusi tekitavaid. Mõned näited selliste kemikaalide kohta on:
 - plii pliipõhise värviga kaetud materjalist ja
 - arseen ning kroom keemiliselt töödeldud saematerjalist.
- Olenevalt silest, kui sageli te seda tüüpi tööga kokku puutute, varieerub ka riski suurus haigestuda eespool nimetatud haigustesse, mida nende ainete mõju all viibimine võib põhjustada. Nimetatud kemikaalide mõju vähendamiseks: töötage hästi ventileeritavas piirkonnas ja kasutage heakskiidetud kaitsevahendeid, nagu näiteks spetsiaalselt mikroosakeste filtreerimiseks mõeldud tolmuomaske.
34. Veenduge, et laud on pärast ümberpöörämist hoovaga kindlalt fikseeritud.

NURGASAE REŽIIMIS KASUTAMISEL:

35. Kasutage saagi ainult puidu, alumiiniumi või teiste sarnaste materjalide lõikamiseks.
36. Ärge teostage ühtegi toimingut ainult käte abil. Töödeldav detail tuleb kõigi toimingute ajal kinnitusrakisega kindlalt vastu pöördalust ja juhtpiiret kinnitada. Ärge kunagi kasutage töödeldava detaili kinnihoidmiseks käsi.
37. Enne igat lõiget veenduge, et tööriist on stabiilne.
38. Teostage pikki töödeldavaid detaile sobivate lisatugedega.

39. Ärge kunagi lõigake nii väikest töödeldavat detaili, mida ei saa rakisega kindlalt kinni hoida. Valesti hoitud töödeldav detail võib põhjustada tagasilöögi ja raske kehavigastuse.
40. Veenduge, et pöördalus on õigesti kinnitatud, nii et see töötamise ajal ei liigu.
41. Veenduge, et õlg on kaldlõikamise ajal kindlalt fikseeritud. Õla fikseerimiseks pingutage hooba päripäeva.
42. Veenduge, et lõiketera ei puuduta pöördlauda oma madalaimas asendis ja ei satu kokkupuutesse töödeldava detailiga enne lüliti sisselülitamist.
43. Hoidke tööriista kindlalt käes. Olge teadlik, et käivitamisel ja seiskamisel liigub saag veidi üles või alla.

LAUASAE (SAEPINGI) REŽIIMIS KASUTAMISEL:

44. Ärge teostage ühtegi toimingut ainult käte abil. Ainult käte abil tähendab oma käte kasutamist töödeldava detaili toetamiseks või juhtimiseks juhtjoonlaua kasutamise asemel.
45. Veenduge, et pöördlaud on kindlalt fikseeritud.
46. Veenduge, et õlg on tööasendis kindlalt fikseeritud. Õla fikseerimiseks pingutage hooba päripäeva.
47. Käte ja sõrmedega saetera läheduses töötamise vältimiseks kasutage tõukurtokki või -plokki.
48. Veenduge, et lõiketera ei puuduta lõhestusnuga ega töödeldavat detaili enne lüliti sisselülitamist.
49. Pöörake erilist tähelepanu TAGASILÖÖGI riski vähendamise juhistele. TAGASILÖÖK on äkiline reaktsioon kinni kiilunud, kinnipigistatud või orientatsiooni kaotanud saeterale. TAGASILÖÖK põhjustab töödeldava detaili väljatõukumist tööriistast tagasi operaatori suunas. TAGASILÖÖGID VÕIVAD PÕHJUSTADA TÕSISE KEHAVIGASTUSE. Vältige TAGASILÖÖKE, kasutades teravaid lõiketerasid, hoides juhtjoonlauda paralleelselt lõiketeraga, hoides lõhestusnuga ja terapiiret omal kohal ja töökorras, mitte vabastades töödeldavat detaili enne, kui te pole seda kogu tee ulatuses lõiketera alt läbi tõuganud, ja mitte lõigates töödeldavat detaili, mis on väändanud või kõverdunud või millel puudub sirge serv juhtimaks seda piki juhtjoonlauda.
50. Vältige järsku, kiiret etteandmist. Raskete töödeldavate detailide lõikamisel andke neid ette võimalikult aeglaselt. Ärge painutage ega väänake töödeldavaid detaile nende etteandmisel. Kui lõiketera seiskub või kiilub kinni töödeldavas detailis, lülitage tööriist viivitamatult välja. Tõmmake tööriista toitejuhe

voolukontaktist välja. Seejärel kõrvaldage ummistus.

51. Enne tööriista ümberpöörast veenduge alati, et lukustustihvt on tööriista pea kindlalt fikseerinud kõige alumisse asendisse.

HOIDKE JUHEND ALLES.

△HOIATUS:

ÄRGE laske mugavusel või toote kasutamisharjumustel (mis on saadud korduva kasutuse jooksul) asendada vankumatut toote ohutuseeskirjade järgimist. VALE KASUTUS või käesoleva kasutusjuhendi ohutusnõuete eiramine võib põhjustada tõsiseid vigastusi.

PAIGALDAMINE

△HOIATUS:

Hoidke pörand töötamispiirkonnas tasasena ja vabana prahist (nt laastudest ja puidutükkidest).

Paigaldamine lauale

Kõrge tööpingina ülesseadmine lõpuni väljatõmmatud jalgadega

Kui tööriista ei õnnestu stabiilsesse asendisse seada, siis keerake stabiliseerimiseks tööriista jalamil olevat reguleerimismutrit. Jalami lühendamiseks keerake seda (pealtvaates) vastupäeva, pikendamiseks päripäeva. Pärast reguleerimist veenduge, et tööriist püsib stabiilselt.

Joon.1

Kinnitage fikseerimisplaadid kuuskantpoltidega tööriista kolmele jalale nii, et nende kaldus ots osutaks väljapoole. Samuti kinnitage tööriist kolme poldi abil stabiilse ja ühetasase pinna külge, kasutades fikseerimisplaatide poldiauke.

Joon.2

Madala tööpingina ülesseadmine kokkulükatud jalgadega

Joon.3

Kui tööriist on kokkulükatud jalgadega paigale seatud, siis kinnitage see joonisel näidatud U-kujuliste soonte abil.

FUNKTSIONAALNE KIRJELDUS

△HOIATUS:

- Kandke alati hoolt selle eest, et tööriist oleks enne reguleerimist ja kontrollimist välja lülitatud ja vooluvõrgust lahti ühendatud.

Terakaitse

Joon.4

Joon.5

Joon.6

△HOIATUS:

- Veenduge, et käepidet ei saa selle lähedal olevat hooba vasakule lükkamata langetada.
- Veenduge, et alumised terakaitsmed A ei avane, kui käepideme lähedal olev hoob pole lükatud kõrgeimasse asendisse.
- Veenduge, et enne eeringu saarežiimi kasutamist on paigaldatud alumine terakaitse C.

Käepideme langetamisel ja samal ajal hooba vasakule lükkamisel tõuseb alumine terakaitse A automaatselt. Alumine terakaitse B tõuseb töödeldava detaili vastu puutumisel. Alumised terakaitsmed on varustatud tagasitõmbevedruga, naasesed pärast löike sooritamist ja käepideme tõstmist oma algsele kohale. Ülemine terakaitse langeb pärast töödeldava detaili enda alt läbi laskmist töölaua pinnale. ÄRGE KUNAGI TÕKESTAGE EGA EEMALDAGE ALUMISI TERAKAITSMEID, ALUMISE TERAKAITSME KÜLGE KINNITUVAT VEDRU EGA ÜLEMIST TERAKAITSET, välja arvatud allpool märgitud juhul.

Teie enda turvalisuse huvides hoidke kõik terakaitsmed heas seisukorras. Igasugune kõrvalekalle terakaitsmete töös tuleb koheselt kõrvaldada. Kontrollige alumiste terakaitsmete tagasitõmbevedrude töökorda. ÄRGE KUNAGI TÕÖRIISTA KASUTAGE, KUI ALUMINE TERAKAITSE, VEDRU VÕI ÜLEMINE TERAKAITSE ON VIGASTATUD, DEFEKTNE VÕI EEMALDATUD, välja arvatud allpool märgitud juhul. SEE ON ÄÄRMISELT OHTLIK NING VÕIB PÕHJUSTADA RASKEID KEHAVIGASTUSI.

MÄRKUS:

- Erandkorras võib kaitsmed eemaldada järgmistel asjaoludel. Alumine terakaitse C eemaldatakse ainult tööriista kasutamisel lauasaarežiimis. Ülemine terakaitse eemaldatakse ainult tööriista kasutamisel eeringu saarežiimis.

Kui mõni neist läbipaistvatest terakaitsmetest määrduv või kui neile koguneb nähtavust halvendav saepuru, lahutage saag vooluvõrgust ja puhastage kaitsmeid hoolikalt niiske lapi abil. Ärge kasutage plastist kaitsmete puhastamiseks lahusteid ega naftapõhiseid puhastusaineid.

Kui alumine terakaitse A on eriti määrduv ja selle läbinähtavus on vähenenud, siis toimige järgmiselt.

Tõstke käepide kõrgeimasse asendisse. Eemaldage saetera (vt lõiku „Saetera paigaldamine või eemaldamine“). Tõstke alumist terakaitset A, lükates samal ajal hooba vasakule. Nüüd, mil alumine terakaitse A on sellises asendis, saab seda põhjalikumalt ja tõhusamalt puhastada. Pärast puhastamist korrake ülatoodud protseduuri vastupidises järjekorras ning keerake polt kinni.

Ülemise terakaitsme puhul vajutage sisse nupp kaitsme esiosas ja eemaldage ülemine terakaitse. Pärast puhastamist paigaldage see alati korralikult tagasi.

Kui mõne nimetatud kaitsme värv UV-kiirguse või vanaduse tõttu moonduv, võtke ühendust Makita teeninduskeskusega. ÄRGE TÕKESTAGE EGA EEMALDAGE KAITSMEID.

Maksimaalse saagimisjõudluse säilitamine

Joon.7

Tööriist on tehases reguleeritud maksimaalsele saagimisjõudlusele 260 mm saetera kasutamisel.

Uue tera paigaldamisel kontrollige alati tera alumist piirasendit ja vajadusel reguleerige seda järgmiselt:

△HOIATUS:

- Reguleerimiseks eemaldage tööriist vooluvõrgust. Esmalt lahutage tööriist vooluvõrgust. Langetage käepide madalaimasse asendisse. Keerake mutrivõtme abil reguleerimispolti, kuni tera serv on veidi allpool eeringulaua pealispinnal - punktis, kus juhtpiire lõikub eeringulaua ülapiinnaga.

Kui tööriist on vooluvõrgust lahutatud, pöörake tera käega, hoides samal ajal käepidet all, et tera ei puutuks vastu alust. Vajadusel reguleerige veidi.

△HOIATUS:

- Pärast uue tera paigaldamist veenduge alati, et kui käepide on madalaimas asendis, ei puutuks tera üheski asendis vastu alust. Selle kontrollimiseks lahutage tööriist kindlasti vooluvõrgust.

Seda tööriista saab kasutada alampiiriga ja ilma, tõeses alampiiri stopperit joonisel näidatud viisil.

Et kasutada tööriista ilma alampiirita, keerake stopperi otsa vastupäeva. Sellises asendis on sobilik lõigata laia ja õhukest materjali.

Et kasutada tööriista alampiiriga, keerake stopperi otsa päripäeva. Sellises asendis on sobilik lõigata paksu materjali.

Joon.8

Eeringunurga reguleerimine

Joon.9

Joon.10

Keerake juhtpiirde pitskrui vastupäeva lahti. Keerake eeringulauda käepidemest. Kui olete viinud käepideme asendisse, kus osuti näitab eeringuskaalal soovitud nurka, keerake pitskrui päripäeva korralikult kinni.

△HOIATUS:

- Eerungilaua keeramisel tõstke käepide kindlasti kõrgeimasse asendisse.
- Pärast eerunginurga reguleerimist kinnitage eerungilaud pitskruvi abil alati korralikult.

Kaldenurga reguleerimine

Eerungsaerežiimis

Joon.11

Joon.12

Eerunginurga reguleerimiseks keerake tööriista taga asuv hoob vastupäeva lahti.

Suruge käepidet vasakule, et kallutada saetera, kuni osuti näitab kaldenurga skaalal soovitud nurka. Seejärel keerake hoob varda kinnitamiseks korralikult päripäeva kinni.

△HOIATUS:

- Tera kallutamisel tõstke käepide kindlasti kõrgeimasse asendisse.
- Pärast kaldenurga reguleerimist kinnitage latt alati korralikult, keerates hooba päripäeva.

Lauasaerežiimis

Joon.13

Kaldenurga reguleerimiseks keerake tööriista ees laua all asuv hoob vastupäeva lahti.

Suruge sügavuse reguleerimisnuppu vasakule, et kallutada saetera, kuni osuti näitab kaldenurga skaalal soovitud nurka. Seejärel keerake hoob varda kinnitamiseks korralikult päripäeva kinni.

Lüliti funktsioneerimine

Joon.14

Lülitamine eerungsaerežiimile

△HOIATUS:

- Enne tööriista ühendamist vooluvõrku kontrollige alati, kas hooblüliti funktsioneerib nõuetekohaselt ja liigub lahtilaskmisel tagasi asendisse „OFF”.
- Kui tööriist pole kasutusel, eemaldage lahtilukustuse nupp ja hoidke seda kindlas kohas. See hoiab ära volitamatu kasutamise.
- Ärge tõmmake hooblüliti tugevasti ilma lahtilukustuse nuppu vajutamata. See võib lüliti vigastada.

Et vältida hooblüliti juhuslikku tõmbamist, on tööriist varustatud lahtilukustuse nupuga. Tööriista käivitamiseks suruge lukustushoob vasakule, vajutage lahtilukustuse nupp sisse ning seejärel tõmmake hooblüliti. Seiskamiseks vabastage hooblüliti.

Lülitamine lausaerežiimile

△HOIATUS:

- Enne töö alustamist veenduge, et tööriista saab lülitada sisse ja välja.

Tööriista käivitamiseks vajutage sisselülitusnuppu ON (I). Seiskamiseks vajutage väljalülitusnuppu OFF (O).

Lõikesügavuse reguleerimine

Joon.15

Lõikesügavust saab reguleerida sügavuse reguleerimisnuppu keerates. Tera tõstmiseks keerake sügavuse reguleerimisnuppu päripäeva, langetamiseks vastupäeva.

△HOIATUS:

- Õhukeste materjalide lõikamiseks kasutage madalat lõikesügavust, et lõige tuleks puhtam.

△HOIATUS:

- Kui tööriista pea on madalaimas asendis, ei saa kinnitustihvti keerata. Sel juhul keerake nuppu kinnitustihvti vabastamiseks pisut vastupäeva.

Joon.16

Ülekoormuse kaitse

- Ainult 200 V või suurema toitepingega tööriistadele. Vt tööriista nominaalpinget sildilt.
- Kui tööriista koormus ületab lubatava taseme, siis vähendatakse mootori võimsust, kaitsmaks seda ülekuumenemise eest. Kui koormuse lubatav tase taastub, töötab tööriist tavapäraselt.

KOKKUPANEK

△HOIATUS:

- Kandke alati enne tööriistal mingite tööde teostamist hoolt selle eest, et see oleks välja lülitatud ja vooluvõrgust lahti ühendatud.

Kuuskantvõtme hoiulepanek

Joon.17

Kuuskantvõtit hoitakse joonisel näidatud kohas. Kuuskantvõtme kasutamiseks võtke see hoidikust välja. Pärast kuuskantvõtme kasutamist pange see tagasi hoidikusse.

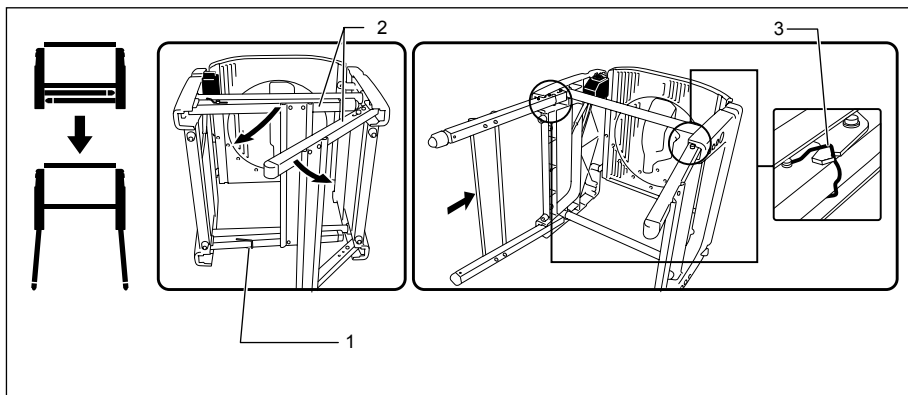
Töölaua kõrguse kahesuunaline seadistamine

Töölaual on kaks kõrgust: kõrge ja madal töölaud.

△HOIATUS:

- Enne tööriista tahapoole langetamist seadke tööriista alati eerungsaerežiimi ja lukustage tööriista pea madalaimasse asendisse.

1. Kõrge töölaua seadistamine



1. Konks
2. Jalad
3. Stopperkonks

006043

Kõrge töölaua seadistamiseks toimige järgmiselt.

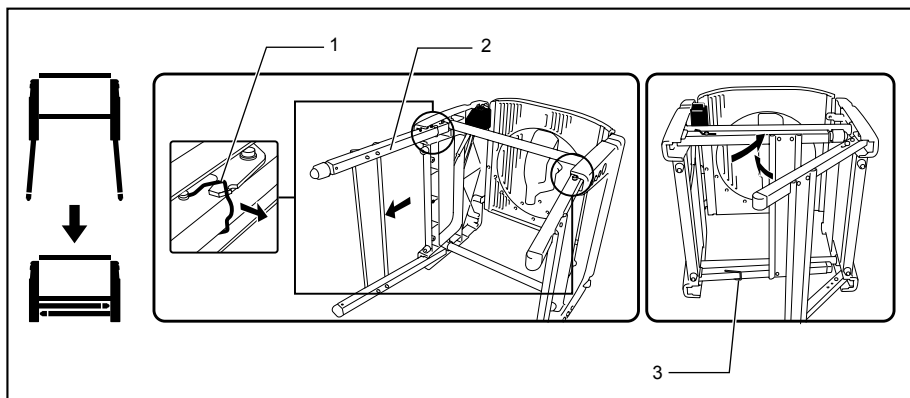
- (1) Langetage tööriista ettevaatlikult TAHAPOOLE, hoides seda kukkumise vältimiseks kahe käega.
- (2) Jalgade lahtipakkimiseks keerake konksu joonisel näidatud noole suunas. Avage laualjad ühel küljel ja suruge jalgade alumine latt lõpuni ettepoole, kus see ise lukustub. Korrake sama protseduuri vastasküljel olevate

jalgadega. Veenduge, et mõlemal küljel olevad jalad on korralikult lukustunud.

⚠ HOIATUS:

- Veenduge, et stopperkonksud on korralikult toendi soones.
- (3) Tõste tööriist tagasi püstisesse asendisse.

2. Madala töölaua seadistamine



1. Stopperkonks
2. Jalad
3. Konks

006044

Jalad saab joonisel näidatud viisil kokku panna. Tööriista kokkupanemiseks toimige järgmiselt.

- (1) Langetage tööriista ettevaatlikult TAHAPOOLE, hoides seda kukkumise vältimiseks kahe käega.

- (2) Esmalt tõmmake stopper vasakpoolsete jalgade liitekohast enda suunas üles, et see avada.
- (3) Korrake ülaltoodud protseduuri vastasküljel jalgadega.

- (4) Kasutage nende jalgade kokkupakkimiseks konksu.
- (5) Tõste tööriist tagasi püstisesse asendisse.

Saelehe paigaldamine ja eemaldamine

⚠️HOIATUS:

- Kandke alati hoolt selle eest, et tööriist oleks enne tera paigaldamist või eemaldamist välja lülitatud ja vooluvõrgust lahti ühendatud.
- Kasutage tera paigaldamiseks ja eemaldamiseks ainult kaasasolevat Makita kuuskantvõtit. Vastasel korral võib kuuskantpesapoldi kinnitus osutuda liiga tugevaks või jääda ebapiisavaks. See võib tekitada vigastusi.

Tõstke käepide kõrgeimasse asendisse.

Vajutage võlli lukustamiseks võllilukku ja keerake kuuskantpesapolt kuuskantvõtme abil päripäeva lahti.

Joon.18

Tõstke terakaitse A selle tõstehoovaga üles, lükates samal ajal käepideme läheduses asuvat hooa vasakule. Kui terakaitse A on üles tõstetud, eemaldage kuuskantpesapolt, välimine äärik ja tera.

Joon.19

Tera paigaldamiseks asetage see ettevaatlikult võllile, veendudes et tera pinnal oleva noole suund kattub terakorpusel oleva noole suunaga. Paigaldage välimine äärik ja kuuskantpesapolt ning keerake seejärel kuuskantpesapolt (vasakkeermega) kuuskantvõtme abil vastupäeva tugevasti kinni, surudes samal ajal võllilukku.

Joon.20

Joon.21

MÄRKUS:

- Saetera paigaldamisel sisestage see kindlasti esmalt terakaitse B vahele ja seejärel tõstke seda nii, et tera asetuks viimaks terakaitse B.

Joon.22

⚠️HOIATUS:

- Tehases on võllile paigaldatud 25,4 mm või 30 mm välisläbimõõduga rõngas. Enne tera asetamist võllile veenduge alati, et võllile on paigaldatud antud tera võlliavaga sobiv rõngas.

Viige alumine terakaitse A tagasi algasendis. Langetage käepide, et veenduda alumiste terakaitsete korralikus liikumises. Enne lõike teostamist veenduge, et võllilukk on võlli vabastanud.

Lõhestusnoa reguleerimine

Joon.23

Kui lõhestusnuga lõpuni tera poole lükata, peab lõhestusnoa ja terahammaste vahele jääma ligikaudu 5–6 mm vahe. Reguleerige lõhestusnuga ülaltoodut arvestades. Selleks keerake esmalt fiksaatormutter käsitsi vastupäeva lahti ning seejärel ka kuuskantmutter kuuskantvõtme abil vastupäeva lahti ja mõõtk vahemaa välja. Pärast reguleerimist keerake esmalt

kuuskantpesapolt, seejärel fiksaatormutter päripäeva tugevasti kinni. Enne lõikama asumist kontrollige alati, et lõhestusnuga oleks fikseeritud ja ülemine terakaitse töötaks sujuvalt.

Joon.24

Lõhestusnuga on enne tehases tarnimist paigaldatud nii, et tera ja lõhestusnuga jäävad pärast tööriista paigaldamist sirgjoonele. Paigaldamisel juhinduge lõigust „Lõhestusnoa ümberpaigutamine“.

Joon.25

⚠️HOIATUS:

- Kui tera ja lõhestusnuga pole korralikult joondatud, võib töö käigus esineda tera ohtlikku kinnijäämist lõikesoone. Veenduge, et lõhestusnuga asetseb (ülaltvaates) terahammaste mõlema välistipu vahel. Kui kasutate korralikult joondamata lõhestusnoaga tööriista, riskite raskete kehavigastustega. Kui need pole mingil põhjusel joondatud, laske tööriist alati volitatud Makita teeninduskeskuses korda teha.
- Lõhestusnoa ja terahammaste vahekauguse reguleerimisel keerake alati kuuskantpesapolt lahti alles pärast fiksaatormutri lahtikeeramist.

Piirde paigaldamine ja reguleerimine

Joon.26

1. Paigaldage piire töölauale nii, et piirde hoidik hambub juhttrööpaga. Keerake piirde pitskrugi (B) päripäeva tugevasti kinni.
2. Lõdvendage pitskrugi (A).
3. Libistage piire kõrvale ja fikseerige nii, et selle kaugem ots jääks kohakuti kohaga, kus saetera eesmine serv töödeldava detaili ülalpinna nähtavale ilmub. Sellise reguleerimise eesmärgiks on vähendada ohtu, et lõigatud detail pitsitatakse saetera ja piirde vahele ning paiskub viimaks operaatori suunas välja. Joon (A) varieerub sõltuvalt töödeldava materjali paksusest ja töölaua kõrgusest. Reguleerige piirde asend vastavalt töödeldava detaili paksusele. Pärast piirde reguleerimist keerake pitskrugi (A) korralikult kinni.

Joon.27

MÄRKUS:

- Piirdel on neli paigutusmustrit, nagu joonisel näidatud. Piirde külgedel on kaks pilu, ühe külje pilu kõrgendatud äärisega, teine ilma selleta. Kasutage piirde pinda nii, et nimetatud ääris jääks töödeldava detaili poole ainult õhukese materjali lõikamisel.

Joon.28

MÄRKUS:

- Piirde paigutusmustrit muutmiseks keerake pitskrugi (A) lahti, eemaldage piire selle hoidikust ja muutke piirde suund hoidiku suhtes töö

nõudmistele vastavaks, nagu joonisel näidatud. Sisestage piirde hoidiku nelikantmutter piirde kummagi pilu taha, nagu joonisel näidatud.

Paigutusmustrit A või B asemel paigutusmustrit C või D valimiseks (või vastupidi) eemaldage piirde nelikantmutter ja pitskrui (A), seejärel pange pitskrui (A) ja nelikantmutter piirde hoidikule algse asendi suhtes vastupidises asendis. Pärast piirde hoidiku nelikantmutri sisestamist piirde pilusse kinnitage pitskrui (A) korralikult. Sisestage piirde hoidiku nelikantmutter kummagi pilu taha, nagu joonisel näidatud.

Joon.29

Piire on tehases reguleeritud tera pinnaga paralleelseks. Veenduge, et see on paralleelne. Et kontrollida piirde paralleelsust tera suhtes, reguleerige tera kõrgust lõikesügavuse reguleerimisnupu abil nii, et tera tuleks kõrgeimas asendis töölauast nähtavale. Märgistage üks terahammast pliitsiga. Mõõdistage vahemaa (A) ja (B) piirde ning tera vahel. Mõlemad mõõdud võtke pliitsiga märgitud terahammas alusel. Nimetatud kaks mõõtu peavad olema ühesugused. Kui piire pole teraga paralleelne, toimige järgmiselt:

Joon.30

- (1) Keerake reguleerkrui vastupäeva.

Joon.31

Joon.32

- (2) Nihutage piirde eesmist serva pisut paremale või vasakule, kuni see jääb teraga paralleelseks.
- (3) Keerake piirde reguleerkrui tugevasti kinni.

△HOIATUS:

- Reguleerige piire teraga kindlasti paralleelseks, vastasel korral võib esineda ohtlikke tagasilööke.
- Reguleerige piire kindlasti nii, et see ei puutuks vastu terakaitset või saetera.
- Ärge tõstke ega kandke tööriista, hoides seda piirdest.
- Paigaldatud piirde tõstmine või selle jõuga vasakule/paremale väänamine, seda käega ülalt kinni hoides, võib seda kahjustada ning häirida selle funktsioone.

Eerungimõõdiku paigaldamine ja reguleerimine

Joon.33

Paigaldage eerungimõõdik, sisestades selle varda eestpoolt ühte kahest töölauda soonest. Vastavalt töö iseloomule saab eerungimõõdikule paigaldada võre, mis ühtlasi funktsioneerib piirdena.

Tolmukott

Joon.34

Tolmukoti kasutamine muudab lõikamistö puhtaks ja kergendab tolmu kogumist. Tolmukoti paigaldamiseks kinnitage see tolmuotsaku külge.

Kui tolmukott on umbes poolenisti täis, eemaldage see tööriista küljest ja tõmmake fiksaator välja. Tühjendage tolmukott, koputades seda kergelt, et eemaldada külgedele kinnitunud osakesed, mis võivad takistada edasist tolmu kogumist.

Joon.35

Tolmuimeja ühendamisel saaga saate töötada tõhusamalt ja puhtamalt.

Joon.36

Pölv

Joon.37

△HOIATUS:

- Seadke põlve väljalaskeava sellises suunas, et väljutatav tolm ja laastud ei lendaks tööriista ega läheduses viibivate inimeste poole.

Tolmu väljalaskeasuuna muutmisel kinnitage põlv.

Töödeldava detaili fikseerimine

△HOIATUS:

- Äärmiselt tähtis on töödeldav detail alati õigesti ja korralikult kinnitusrakisega fikseerida. Vastasel korral võib tööriist saada vigastusi ja/või töödeldav detail hävida. SAMUTI VÕIB SEE PÕHJUSTADA KEHAVIGASTUSI. Ühtlasi ÄRGE tõstke pärast lõikamist tera enne selle täielikku seiskumist.

Alapiire

Joon.38

Alapiirde saab paigaldada juhtpiirde peale. Vasakpoolsete fassetlõigete tegemisel või lõikamisel lausaarežiimis (tööpingirežiimis) eemaldage alapiire.

△HOIATUS:

- Vasakpoolsete fassetlõigete tegemisel või lõikamisel lausaarežiimis (tööpingirežiimis) eemaldage alapiire. Vastasel juhul satub see kokkupuutesse tera või tööriista osaga ning võib põhjustada operaatorile raske kehavigastuse.

Vertikaalne kinnitusrakis

Joon.39

Vertikaalse kinnitusrakise saab paigaldada kahte asendisse juhtpiirde parem- või vasakpoolsele küljele. Sisestage kinnitusrakise varras juhtpiirdes olevasse avasse ja fikseerige pitskrui.

Paigutage kinnitusrakise latt vastavalt töödeldava detaili paksusele ja kujule ning fikseerige pitskrui. Kui kinnitusrakise latti fikseeriv pitskrui puutub vastu juhtpiiret, paigaldage pitskrui kinnitusrakise latti vastasküljele. Veenduge, et käepideme lõpuni alla langetamisel ei puutu ükski tööriista osa vastu kinnitusrakist. Kui mõni osa puutub vastu kinnitusrakist, paigutage kinnitusrakis ümber.

Suruge töödeldav detail tasaselt vastu juhtpiiret ja eerungilauda. Asetage töödeldav detail soovitud lõikeasendisse ja fikseerige, keerates kinnitusrakise nupu tugevasti kinni.

⚠️ HOIATUS:

- Töödeldav detail tuleb tugevasti fikseerida eerungilaua ja juhtpiirde külge.

Tööriista seadistamine lausaerežiimile

⚠️ HOIATUS:

- Enne tööriista kasutamist lausaerežiimis veenduge, et eerungilaud on juhtpiirdele oleva pitskrivi abil fikseeritud 0° eerunginurga alla.
- Enne tööriista kasutamist lausaerežiimis veenduge, et tööriista pea on hoova abil fikseeritud.
- Enne tööriista kasutamist lausaerežiimis veenduge, et lõhestusnuga on õigesti oma kohale fikseeritud.
- Enne tööriista kasutamist lausaerežiimis eemaldage alumine terakaitse C.
- Lausaerežiimis vabastage alampiiri stopper.

Tööriist on tarnimisel seadistatud eerungsaerežiimi. Enne tööriista kasutamist lausaerežiimis muutke seadistust ja järgige alltoodud protseduuri.

1. Eerungilaua fikseerimine

Joon.40

Eerungilaua fikseerimiseks keerake juhtpiirdele olev pitskrivi 0° eerunginurga all tugevasti kinni.

2. Tööriista pea fikseerimine

Joon.41

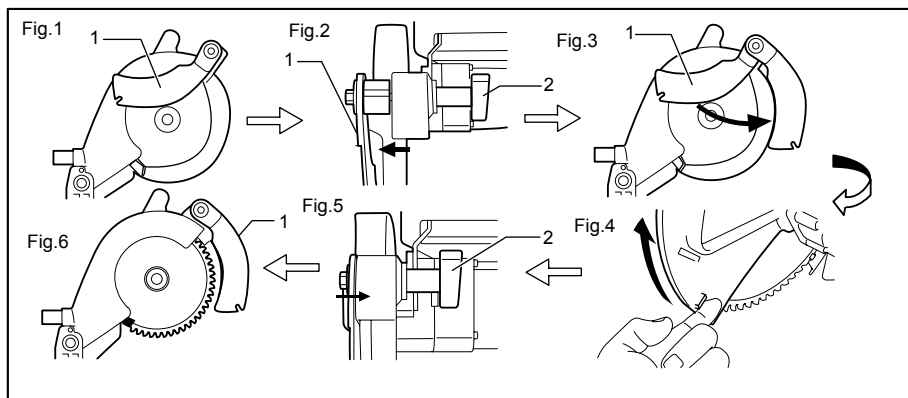
Fikseerige tööriista pea, keerates hooba joonisel näidatud noole suunas.

3. Alampiiri stopperi vabastamine

Joon.42

Veenduge, et alampiiri stopperi ots on joonisel näidatud asendis A. Pöörake alampiiri stopperi otsa vastupäeva asendi A suunas, kuni see jõuab asendisse B.

4. Lõhestusnoa ümberpaigutamine



1. Lõhestusnuga

2. Fiksaatormutter

006068

Asendit (joonis 1) tuleks muuta järgmiselt.

- (1) Lõdvendage fiksaatormutter (joonis 2).
- (2) Tõmmake ja kallutage lõhestusnuga noole suunas (joonis 3) 90° nurga all olevasse asendisse. Seejärel suruge see pisut sisse, nii et see jääb liikumatult sellesse asendisse.
- (3) Tõstke alumine terakaitse A selle tõstesanga abil üles, lükates samal ajal selle lähedal asuvat käepidet vasakule, seejärel vabastage käepideme lähedal asub hoob (joonis 4).
- (4) Suruge lõhestusnuga noole suunas (vt joonis 5) nii, et see jääks saeteraga kohakuti.
- (5) Pärast lõhestusnoa surumist joonisel näidatud noole suunas vabastage alumine terakaitse A.
- (6) Pärast lõhestusnoa joondamist keerake fiksaatormutter tugevasti kinni (vt joonis 6).

5. Alumise terakaitse C eemaldamine

Joon.43

Eemaldage laualt alumine terakaitse C, keerates pitskrivi lahti.

6. Tööriista pea lukustamine madalaimasse asendisse.

Joon.44

Joon.45

Pärast lõhestusnoa seadistamist lausaerežiimi tarbeks, tõmmake stopperit noole A suunas ja pöörake see (hoides stopperit tõmmatuna) noole B suhtes 90° nurga alla. Seejärel langetage tööriista pea lukustamiseks käepide alla.

⚠HOIATUS:

- Kui tööriista pead ei saa madalaimasse asendisse lukustada, siis pöörake sügavuse reguleerimise nuppu paar täispööret päripäeva.
- Enne tööriista ümberpöörämist veenduge alati, et tööriista pea on kinnitustihvtiga turvaliselt madalaimasse asendisse lukustatud.

7. Tööriista ümberpööramine

⚠HOIATUS:

- Kandke alati hoolt selle eest, et tööriist oleks enne ümberpöörämist välja lülitatud ja vooluvõrgust lahti ühendatud.
- Hoova allavajutamisel ärge asetage kätt/sõrmi hoova tööpinkki sisenevale osale.

Joon.46

Hoidke laua keskelt servast ühe käega kinni, suruge teise käega hoob alla, hoides samal ajal laua äärt tugevasti kinni, ja kallutage lauda ettevaatlikult, et see ümber pöörata. Hoidke, kuni see lukustub.

8. Ülemise terakaitsme paigaldamine

Joon.47

Vajutage ülemise terakaitsme nupp küljepinnale, pange kaitse nuppu all hoides lõhestusnoa sätku ja vabastage nupp.

Pärast nupu vabastamist veenduge, et ülemine terakaits on kindlalt paigas, proovides seda välja tõmmata.

⚠HOIATUS:

- Pärast ülemise terakaitsme paigaldamist veenduge, et see töötab sujuvalt.

Tööriista seadistamine eerungsaerežiimile

⚠HOIATUS:

- Enne eerungsaerežiimi kasutamist paigaldage kindlasti alumine terakaits C.

Lauasaerežiimist eerungsaerežiimi minemiseks korrake lõigus „Tööriista seadistamine lausaerežiimile“ toodud protseduuri vastupidises järjekorras.

1. Ülemise terakaitsme eemaldamine

Vajutage ülemise terakaitsme nupp küljepinnale ning seejärel võtke ülemine terakaits nuppu all hoides lihtsalt ülespoole ära.

2. Alumise terakaitsme C paigaldamine

Asetage alumine terakaits C lauale nii, et see sobituks laua pilusse, ning fikseerige pitskruviga.

3. Tööriista ümberpööramine

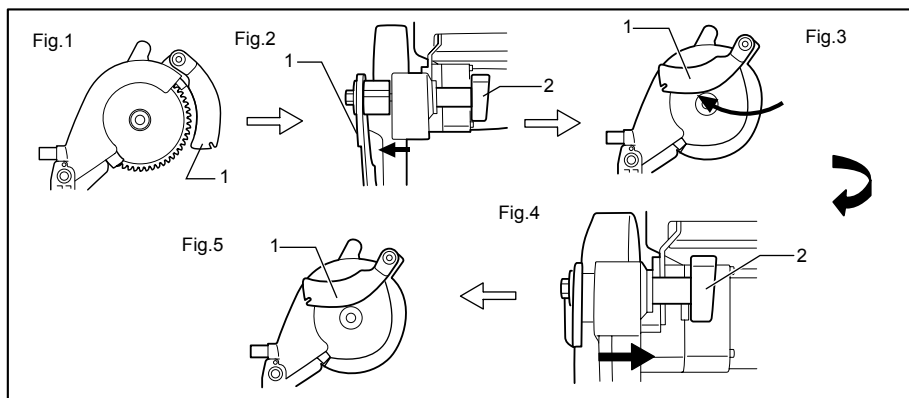
Vt samanimelist lõiku jaotises „Tööriista lausaerežiimi seadistamine“.

4. Tööriista pea vabastamine madalaimast asendist

Joon.48

Hoides käepidemest, tõmmake kinnitustihvti noole A suunas ja pöörake see (hoides kinnitustihvti tõmmatuna) noole B suhtes 90° nurga alla. Seejärel tõstke aeglaselt käepidet.

5. Lõhestusnoa ümberpaigutamine



1. Lõhestusnuga

2. Fiksaatormutter

006075

Lõhestusnoa asendit (joonis 1) tuleks muuta järgmiselt.

- (1) Keerake fiksaatormutter lahti ja hoidke alumist terakaitset A käega selle tõstesangast (joonis 2).
- (2) Hoides alumist terakaitset A, tõmmake lõhestusnuga nii, et see pöördub ja kaldub noolega näidatud asendisse (joonis 3).
- (3) Hoides lõhestusnuga selles asendis, viige alumine terakaitse A tagasi selle algsele asendisse ja kinnitage korralikult fiksaatormutriga (joonised 4, 5).

TÖÖRIISTA KASUTAMINE

⚠HOIATUS:

- Enne kasutamist vabastage kindlasti käepide langetatud asendist, tõmmates kinnitustihvti ja keerates käepideme 90° nurga alla.
- Veenduge, et tera ei puutuks enne tööriista sisselülitamist vastu töödeldavat detaili jne.

LÕIKAMINE EERUNGAEREŽIIMIS

⚠HOIATUS:

- Veenduge, et enne eerungsaerežiimi kasutamist on paigaldatud alumine terakaitse C.

⚠HOIATUS:

- Ärge avaldage käepidemele lõikamisel liigset survet. Ülemäärane surve võib põhjustada mootori ülekoormust ja/või vähendada lõikamise tõhusust. Suruge käepide alla ainult sujuva lõikamise tagamiseks tarviliku jõuga ja nii, et tera kiirus oluliselt ei väheneks.
- Lõike teostamiseks vajutage käepide õrnalt alla. Kui käepidet suruda liiga tugevasti või külgsuunalist jõudu rakendades, hakkab tera vibreerima ja jätab töödeldavale detailile takke (saetakke) ning lõike täpsus väheneb.

1. Pressilõikamine

Joon.49

Fikseerige töödeldav detail vastu juhtpiiret ja eerungilauda. Lülitage tööriist sisse (tera ei tohi ikka veel detaili vastu puutuda) ning oodake enne tera langetamist, kuni see saavutab täiskiruse. Seejärel langetage töödeldava detaili lõikamiseks käepide madalaimasse asendisse. Kui lõige on teostatud, lülitage tööriist välja ja OODAKE TERA TÄIELIKU PEATUMISENI enne, kui viite tera tagasi ülestõstetud asendisse.

2. Kaldlõike teostamine

Juhinduge eespool toodud lõigust „Eerunginurga reguleerimine“.

3. Fassetilõikamine

Joon.50

Keerake hoob lahti ja kallutage soovitud kaldenurga seadmiseks saetera (juhinduge eespool toodud lõigust „Kaldenurga reguleerimine“). Kindlasti kinnitage hoob korralikult uuesti, et kaldenurk turvaliselt fikseerida. Fikseerige töödeldav detail vastu juhtpiiret ja eerungilauda. Lülitage tööriist sisse (tera ei tohi ikka veel detaili vastu puutuda) ning oodake, kuni tera saavutab täiskiruse. Seejärel langetage käepide madalaimasse asendisse, avaldades samal ajal teraga paralleelset survet. Kui lõige on teostatud, lülitage tööriist välja ja OODAKE TERA TÄIELIKU PEATUMISENI enne, kui viite tera tagasi ülestõstetud asendisse.

⚠HOIATUS:

- Veenduge alati, et tera ei liigu fassetilõikamise ajal kaldenurga suunas allapoole. Hoidke käed saetera teest eemal.
- Fassetilõikamise ajal võib tekkida olukord, kus ärälõigatud tükk toetub tera külje vastu. Kui alles pöörlevat tera tõsta, võib see tükk tera vahele jääda, põhjustades kildude ohtlikku laialipaiskumist. Tera võib tõsta AINULT pärast selle täielikku seiskumist.
- Käepideme allavajutamisel avaldage teraga paralleelset survet. Kui surve pole lõike teostamise ajal teraga paralleelne, võib tera nihkuda, kusjuures lõiketäpsus väheneb.
- Eemaldage alapiire alati, kui teete vasakpoolseid fassetilõikeid.

4. Liitlõikamine

Liitlõikamine kujutab endast töödeldava detaili samaaegset kaldlõikamist ja eerunginurga lõikamist. Liitlõikamist saab teostada tabelis näidatud nurga all.

Fassetinurk	Eerunginurk
45°	Vasak ja parem 0°-45°

006366

Liitlõike teostamisel juhinduge lõikudest „Pressilõikamine“, „Kaldlõike teostamine“ ja „Fassetilõikamine“.

5. Alumiiniumprofiilide lõikamine

Joon.51

Alumiiniumprofiilide kinnitamisel kasutage puidust klotsse või puidujäätmeid, nagu näidatud joonisel, et vältida alumiiniumi deformeerumist. Alumiiniumi lõikamisel kasutage määrdeaineid, et vältida alumiiniumipuru kogunemist terale.

⚠HOIATUS:

- Ärge üritage saagida pakse ega ümaraid alumiiniumprofiile. Paksud alumiiniumprofiilid võivad lõikamise ajal lahti pääseda ja ümaraid profiile ei saa selle tööriistaga korralikult fikseerida.

- Ärge kunagi lõigake alumiiniumit lauasaerežiimil (tööpingirežiim).

LÕIKAMINE LAUSAEREŽIIMIS (TÖÖPINGIREŽIIM)

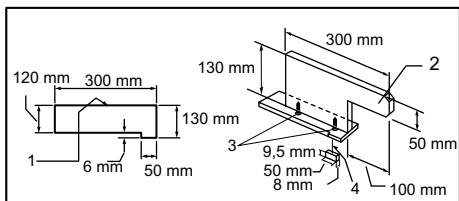
⚠HOIATUS:

- Kui on oht, et käed või sõrmed võivad tera lähedusse sattuda, kasutage alati abivahendeid - tõukevardaid ja tõukeklotse.
- Suruge töödeldav detail tugevasti vastu eeringilauda ja piiret. Ärge seda etteandmisel painutage ega väänake. Kui töödeldav detail on paindes või väändes, võib esineda ohtlikke tagasilööke.
- ÄRGE KUNAGI tõmmake detaili tagasi, kui tera pöörleb. Kui on tarvidus eemaldada töödeldav detail enne lõike lõpetamist, siis lülitage esmalt tööriist välja, hoides töödeldavat detaili samal ajal tugevasti kinni. Enne töödeldava detaili eemaldamist oodake tera täieliku seiskumiseni. Vastasel korral võib esineda ohtlikke tagasilööke.
- ÄRGE KUNAGI eemaldage äralõigatud materjali tera pöörlemise ajal.
- ÄRGE KUNAGI pange oma käsi või sõrmi saetera teele.
- Fikseerige piire alati korralikult, vastasel korral võib esineda ohtlikke tagasilööke.
- Väikeste või kitsaste detailide lõikamisel, samuti piiratud vaatevälja korral kasutage alati abivahendeid - tõukevardaid või -klotse.
- Lõikamisel lauasaerežiimis (tööpingirežiimis) eemaldage alapiire.

Abivahendid

Nimetatud abivahenditeks on tõukevardad, tõukeklotsid ja lisapiire. Nende kasutamisel väldib tööriista kasutaja lõigete teostamisel oma kehaosade kokkupuudet teraga.

Tõukeklots



1. Esikülje/servaga paralleelne
2. Käepide
3. Puidukruvi
4. Suunake kokku

006080

Kasutage 19 mm vineeritükki.

Käepide peaks paiknema vineeritüki keskjoonel. Kinnitamiseks kasutage liimi ja puidukruvisid, nagu näidatud. Vineeri külge tuleb alati liimida väike puidutükk mõõtudega 9,5 mm x 8 mm x 50 mm, et hoida tera nürinemise eest, kui operaator kogemata klotsi lõikab. (Ärge kasutage tõukeklotsi valmistamisel kunagi naelu.)

Lisapiire

Joon.52

Valmistage lisapiire 9,5 mm ja 19 mm vineeritükkidest.

Ribastamine

⚠HOIATUS:

- Ribastamisel eemaldage laualt eeringimõdik.
 - Pikkade või suurte detailide lõikamisel kasutage laua taga alati sobivaid tugesid. ÄRGE laske pikal latil töölaua peal liikuda ega nihkuda. Selle tõttu võib tera kinni kiiluda, mis suurendab tagasilöögi ja kehavigastuste ohtu. Tugi peaks olema lauaga ühekõrgune.
1. Reguleerige lõikesügavus töödeldava detaili paksusest pisut kõrgemaks. Reguleerimisel juhinduge lõigust „Lõikesügavuse reguleerimine“.
 2. Asetage piire soovitud ribalaiusele ja kinnitage pitskruviga (A) kohale. Enne lõikamise alustamist veenduge, et piirde hoidiku kaks kruvi on korralikult kinni. Vajadusel keerake need tugevamini kinni.
 3. Lülitage tööriist sisse ja hakake ettevaatlikult materjali saele piki piiret ette andma.
 - (1) Kui riba laius on 150 mm ja rohkem, kasutage etteandmiseks ettevaatlikult üht kätt. Teise käega hoidke materjali vastu piiret.

Joon.53

- (2) Kui riba laius on 65 - 150 mm, kasutage etteandmiseks tõukevarrast.

Joon.54

- (3) Kui riba laius on alla 65 mm, ei saa tõukevarrast kasutada, sest see puutuks vastu terakaitset. Kasutage lisapiiret ja tõukeklotsi.

Kinnitage lisapiire kahe „C“ klambri abil korralikult piirde hoidiku külge.

Joon.55

Andke materjali käsitsi ette, kuni ots on umbes 25 mm kaugusel ülalaua eesmisest servast. Jätkake etteandmist tõukeklotsi abil lisapiirde kohalt, kuni materjal on läbi saetud.

Joon.56

Ristilõikamine

⚠HOIATUS:

- Ristilõike tegemisel eemaldage laualt piire.
- Pikkade või suurte detailide lõikamisel kasutage laua külgedel alati sobivaid tugesid. Tugi peaks olema lauaga ühekõrgune.
- Hoidke käed alati tera teest eemal.

Eeringimõdik

Kasutage eeringimõdikut joonisel näidatud 4 tüüpi lõigete tegemiseks.

Joon.57

⚠️HOIATUS:

- Kinnitage hoolikalt eerungimõõdikul olev nupp.
- Vältige lõigatava materjali ja mõõdiku roomet, kasutades korralikku fikseerimist, eriti nurga all lõikamisel.
- ÄRGE KUNAGI hoidke ega haarake kinni töödeldava materjali ärälõigatavast osast.

Eerungimõõdiku kasutamine

Joon.58

Libistage eerungimõõdik laua jämedatesse soontesse. Keerake mõõdikul olev nupp lahti ja seadke mõõdik soovitud nurga alla (0°-60°). Seadke töödeldav materjal ühetasaselt vastu piiret ja söötkte ettevaatlikult tera suunas.

Täiendav puitääris (eerungimõõdik)

Joon.59

Et vältida pika saematerjali võnkumist, kinnitage eerungimõõdik koos täiendava piirdelauaga. Puurige augud, kinnitage poltide/mutritega, pidades seejuures silmas, et kinnitusvahendid ei tohi piire pealispinnast välja ulatuda.

Tööriista kandmine

Joon.60

Veenduge, et tööriist on vooluvõrgust lahti ühendatud. Ainult eerungsaarežiimis kasutatava tööriista puhul fikseerige tera 0° kaldenurga all ja eerungilaud 0° eerunginurga all. Langetage käepide madalaimasse asendisse ja selle lukustamiseks langetatud asendis vajutage lõpuni sisse kinnitustihvt. Kandmisel hoidke tööriista joonisel näidatud osast.

Joon.61

⚠️HOIATUS:

- Enne tööriista kandmist fikseerige kõik liikuvad osad.
- Enne tööriista kandmist seadistage see alati eerungsaarežiimi.
- Veenduge, et tööriistale on paigaldatud alumine terakaitse C.

HOOLDUS

⚠️HOIATUS:

- Kandke alati enne kontroll- või hooldustoimingute teostamist hoolt selle eest, et tööriist oleks välja lülitatud ja vooluvõrgust lahti ühendatud.
- Ärge kunagi kasutage bensiini, vedeldit, alkoholi ega midagi muud sarnast. Selle tulemuseks võib olla luitumine, deformatsioon või pragunemine.

⚠️HOIATUS:

- Parima lõikamistulemuse ja ohutuma töö huvides veenduge alati, et tera on terav ja puhas.

Lõikenurga reguleerimine

See tööriist on tehases hoolikalt reguleeritud ja joondatud, kuid rohmakas käsitsemine võib olla seadistusi mõjutanud. Kui tööriist pole korralikult joondatud, siis toimige järgmiselt:

1. Eerunginurk

Joon.62

Eerunginurga 0° reguleerimispolidid asuvad neljas kohas.

Keerake laua alt neli eerunginurga 0° reguleerimispolti vastupäeva lahti.

Langetage käepide madalaimasse asendisse ja lukustage see, tõmmates ja keerates kinnitustihvti päripäeva 90° nurga alla. Seadke tera külg risti juhtpiire esiküljega, kasutades kolmnurkjoonlauda, nurgikut vms. Seejärel keerake alumise lati reguleerimispolti laua alt kinni. Veenduge, et osuti näitab eerungiskaalal 0°. Kui mitte, siis reguleerige osuti asendit, keerates osutit kinnihoidva kruvi lahti. Pärast selle reguleerimist keerake kruvi korralikult kinni.

Joon.63

2. Fassettnurk

Joon.64

(1) 0° kaldenurk

Langetage käepide madalaimasse asendisse ja lukustage see, tõmmates ja keerates kinnitustihvti päripäeva 90° nurga alla. Keerake tööriista tagaosas asuv hoob lahti. Keerake alumise lati parempoolsel küljel olevat 0° kaldenurga reguleerimispolti laua alumiselt küljelt kaks või kolm täispööret vastupäeva, et kallutada tera paremale. Seadke tera serv ettevaatlikult risti eerungilaua ülapinnaga, kasutades kolmnurkjoonlauda, nurgikut vms, keerates 0° kaldenurga reguleerimispolti päripäeva.

Joon.65

Veenduge, et eerungilaua osuti näitab lati kaldenurga skaalal 0°. Kui see ei näita 0°, siis keerake osutit kinnihoidev kruvi lahti ja reguleerige osutit nii, et see näitaks 0°.

Joon.66

(2) 45° kaldenurk

Reguleerige 45° kaldenurka alles pärast 0° kaldenurga reguleerimist. 45° kaldenurga reguleerimiseks keerake hoob lahti ja kallutage tera täielikult vasakule. Veenduge, et lati osuti näitab lati kaldenurga skaalal 45°. Kui osuti ei näita 45°, keerake alumise lati vasakpoolsel küljel olevat 45° kaldenurga reguleerimispolti laua alumiselt küljelt, kuni osuti näitab 45°.

Süsiharjade asendamine

Joon.67

Võtke välja ja kontrollige süsiharju regulaarselt. Asendage süsiharjad uutega, kui need on kulunud piirmäärgini. Hoidke süsiharjad puhtad, nii on neid lihtne oma hoidikutesse libistada. Mõlemad süsiharjad tuleb asendada korraga. Kasutage ainult identseid süsiharju. Kasutage harjahoidikute kaante eemaldamiseks kruvikeerajat. Võtke ära kulunud süsiharjad välja, paigaldage uued ning kinnitage harjahoidikute kaaned tagasi oma kohale.

Joon.68

Pärast kasutamist

- Pärast kasutamist pühkige tööriistale kogunenud laastud ja tolm riidelapi vms abil ära, et kindlustada tööriista maksimaalselt pikk kasutusiga. Hoidke terakaitsemed lõigus „Terakaitse“ toodud juhiseid järgides puhtana. Rooste vältimiseks määrige tööriista libisevaid detaile masinaõliga.

Toote OHUTUSE ja TÖÖKINDLUSE tagamiseks tuleb vajalikud remonttööd, muud hooldus- ja reguleerimistööd lasta teha Makita volitatud teeninduskeskustes. Alati tuleb kasutada Makita varuosi.

VALIKULISED TARVIKUD

HOIATUS:

- Neid tarvikuid ja lisaseadiseid on soovitatav kasutada koos Makita tööriistaga, mille kasutamist selles kasutusjuhendis kirjeldatakse. Muude tarvikute ja lisaseadiste kasutamisega kaasneb vigastada saamise oht. Kasutage tarvikuid ja lisaseadiseid ainult otstarvetel, milleks need on ette nähtud.

Saate vajadusel kohalikust Makita teeninduskeskusest lisateavet nende tarvikute kohta.

- Teras- ja karbiidotsaga saeterad
- Vertikaalne kinnitusrakis
- Kuuskantvõti nr 6
- Tolmukott
- Kolmnurkjoonlaud
- Tolmukate (alumine terakaitse C)
- Tõukevarras
- Joonlauamoodul (piire)
- Eerungimõõdik
- Fikseerimisplaadid (3 tükki)
- Kuuskantpoldid (3 tükki)
- Põlv
- Ülakatte moodul (ülemine terakaitse)

MÄRKUS:

- Mõned nimekirjas loetletud tarvikud võivad kuuluda standardvarustusse ning need on lisatud tööriista pakendisse. Need võivad riikide lõikes erineda.

РУССКИЙ ЯЗЫК (Исходная инструкция)

Объяснения общего плана

- | | | |
|---|--|---|
| 1-1. Регулировочная гайка | 21-1. Футляр для полотна | 33-2. Измеритель угла резки |
| 1-2. Опора | 21-2. Стрелка | 33-3. Пазы |
| 2-1. Болт с шестигранной головкой | 21-3. Пильное лезвие | 34-1. Пылесборный патрубок |
| 2-2. Пластина фиксации | 21-4. Стрелка | 34-2. Мешок для пыли |
| 3-1. U-образные пазы | 22-1. Болт с внутренним шестигранником | 35-1. Мешок для пыли |
| 4-1. Нижнее ограждение лезвия А | 22-2. Наружный фланец | 35-2. Зажим |
| 4-2. Нижнее ограждение лезвия В | 22-3. Пильное лезвие | 37-1. Пылесборный патрубок |
| 5-1. Гижнее ошраждение лезвия С (используется только в режиме торцовочной пилы) | 22-4. Внутренний фланец | 37-2. Колено |
| 6-1. Кнопка | 22-5. Шпиндель | 39-1. Головка тисков |
| 6-2. Расклинивающий нож | 22-6. Кольцо | 39-2. Стержень тисков |
| 6-3. Верхнее ограждение лезвия (применяется при использовании со столом) | 23-1. Зажимная гайка | 39-3. Зажимной винт |
| 7-1. Верхняя поверхность поворотного основания | 23-2. Болт с внутренним шестигранником | 39-4. Ручка тисков |
| 7-2. Периферия лезвия | 23-3. Расклинивающий нож | 39-5. Направляющая линейка |
| 7-3. Направляющая линейка | 24-1. Расклинивающий нож | 40-1. Зажимной винт |
| 8-1. Стопор нижнего ограничителя | 24-2. Пильное лезвие | 40-2. Направляющая линейка |
| 8-2. Регулировочный болт | 25-1. Ширина диска | 41-1. Рычаг |
| 8-3. Гайка | 25-2. Расклинивающий нож | 42-1. Стопор нижнего ограничителя |
| 9-1. Зажимной винт | 25-3. Болт с внутренним шестигранником | 42-2. Регулировочный болт |
| 9-2. Направляющая линейка | 26-1. Держатель направляющей планки | 43-1. Зажимной винт |
| 10-1. Ручка | 26-2. Направляющий рельс | 44-1. Стопорный штифт |
| 10-2. Поворотный стол | 26-3. Зажимной винт (А) | 45-1. Головка пилы заблокирована в крайнем нижнем положении |
| 11-1. Рычаг | 26-4. Зажимной винт (В) | 46-1. Рычаг |
| 12-1. Ручка | 26-5. Направляющая планка | 46-2. Место на рычаге для руки/пальца |
| 13-1. Рычаг | 27-1. Направляющая планка | 46-3. Части зацепления |
| 13-2. Ручка регулировки глубины резки | 27-2. Держатель направляющей планки | 47-1. Кнопка |
| 14-1. Переключатель в режим торцовочной пилы | 27-3. Линия совмещения с: линией А | 47-2. Расклинивающий нож |
| 14-2. Переключатель в режим настольной пилы | 27-4. Пильное лезвие | 47-3. Верхнее ограждение лезвия (применяется при использовании со столом) |
| 14-3. Кнопка разблокирования | 27-5. Верхний стол | 48-1. Стопорный штифт |
| 14-4. Курковый выключатель | 27-6. Обработанная деталь | 49-1. Тиски (дополнительное приспособление) |
| 14-5. Ручка | 28-1. Направляющая планка | 50-1. Тиски (дополнительное приспособление) |
| 14-6. Рычаг | 28-2. Держатель направляющей планки | 51-1. Тиски |
| 14-7. Кнопка включения | 28-3. Пильное лезвие | 51-2. Распорный блок |
| 14-8. Кнопка выключения | 29-1. Направляющая планка | 51-3. Направляющая линейка |
| 15-1. Ручка регулировки глубины резки | 29-2. Держатель направляющей планки | 51-4. Алюминиевый профиль |
| 16-1. Стопорный штифт | 29-3. Квадратная гайка | 51-5. Распорный блок |
| 17-1. Шестигранный ключ | 29-4. Зажимной винт (А) | 52-1. Фаска/край параллельны |
| 17-2. Держатель ключа | 29-5. Зажимной винт (В) | 54-1. Нажимная ручка |
| 18-1. Болт с внутренним шестигранником | 30-1. Шкала | 55-1. Вспомогательная планка |
| 18-2. Шестигранный ключ | 31-1. Направляющая планка | 56-1. Нажимной брусок |
| 18-3. Замок вала | 31-2. Держатель направляющей планки | 56-2. Вспомогательная планка |
| 19-1. Рычаг | 31-3. Регулировочный винт | 57-1. Поперечная распиловка |
| 19-2. Подъемный рычаг | 32-1. Направляющая планка | 57-2. Резка под углом |
| 20-1. Пильное лезвие | 32-2. Пильное лезвие | 57-3. Резка со скосом (углы) |
| 20-2. Нижнее ограждение лезвия В | 32-3. Верхнее ограждение лезвия | 57-4. Составная резка под углом (углы) |
| | 33-1. Направляющая измерителя угла резки | 58-1. Паз |
| | | 58-2. Измеритель угла резки |
| | | 58-3. Круглая ручка |

60-1. Стопорный штифт	64-2. Болт регулировки 45 °	66-3. Указатель
61-1. Часть инструмента, за которую нужно держаться при переноске	65-1. Треугольная линейка	66-4. Поворотный стол
63-1. Треугольная линейка	65-2. Пильный диск	67-1. Ограничительная метка
63-2. Пильный диск	65-3. Верхняя поверхность поворотного стола	68-1. Колпачок держателя щетки
63-3. Направляющая линейка	66-1. Ручка	68-2. Отвертка
64-1. Болт регулировки 0 °	66-2. Линейка угла скоса	

ТЕХНИЧЕСКИЕ ХАРАКТЕРИСТИКИ

Модель	LF 1000
Диаметр полотна	260 мм
Толщина режущего полотна	1,8 мм - 2,0 мм
Толщина расклинивающего ножа	2,2 мм
Диаметр отверстия	
Для европейских стран	30 мм
Макс. размеры распиливаемой детали(В x Ш) с диском диаметром 260 мм в режиме сложной угловой резки	

Угол скоса	Угол резки
	0°
0°	20 мм x 180 мм
	68 мм x 155 мм
45° (влево)	50 мм x 150 мм

Макс. размеры распиливаемой детали при 90° в режиме отрезного станка со столом (пильного станка)	70 мм
Число оборотов без нагрузки (мин ⁻¹)	2 700
Размер стола (Ш x Д)	500 мм x 555 мм
Размеры (Д x Ш x В1(Примечание 1)/В2(Примечание 2)) в режиме сложной угловой резки в режиме настольной пилы	660 мм x 650 мм x 1 220 мм / 800 мм 660 мм x 650 мм x 1 060 мм / 845 мм
Вес нетто	36 кг
Класс безопасности	II





Прим. 1 В1: Высота до головки инструмента

Прим. 2 В2: высота до стола

- Благодаря нашей постоянно действующей программе исследований и разработок, указанные здесь технические характеристики могут быть изменены без предварительного уведомления.
- Технические характеристики могут различаться в зависимости от страны.
- Масса в соответствии с процедурой EPTA 01/2003

Символы

Ниже приведены символы, используемые для электроинструмента. Перед использованием убедитесь, что вы понимаете их значение.

-  Прочитайте руководство пользователя.
-  ДВОЙНАЯ ИЗОЛЯЦИЯ
-  Во избежание получения травмы от летящего мусора, по окончании пиления продолжайте держать головку пилы внизу до полной остановки пилы.
-  Не располагайте руки или пальцы рядом с лезвием.

END213-8



- В целях вашей безопасности, перед началом работы удалите со стола стружку, небольшие предметы и т. п.
- Отключите инструмент перед его поворотом вокруг своей оси.
- Правильно размещайте руки при переноске.
- При установке или снятии направляющей планки не приподнимайте ее край.
- Для того чтобы ослабить болт, поверните его по часовой стрелке.



Только для стран ЕС
 Не утилизируйте данный электроинструмент вместе с бытовыми отходами!
 В рамках соблюдения Европейской Директивы по утилизации электрического и электронного оборудования и ее применения в соответствии с национальным законодательством, электрооборудование в конце срока своей службы должно утилизироваться отдельно и передаваться для его утилизации на предприятие, соответствующее применяемым правилам охраны окружающей среды.

ENE061-1

Назначение

Данный инструмент предназначен для точных прямых и угловых пропилов в древесине. Инструмент можно использовать как в режиме торцовочной пилы, так и в режиме настольной пилы путем поворота стола вокруг своей оси.

ENF002-2

Питание

Подключайте данный инструмент только к тому источнику питания, напряжение которого соответствует напряжению, указанному на паспортной табличке. Инструмент предназначен для работы от источника однофазного переменного тока. Они имеют двойную изоляцию и поэтому может подключаться к розеткам без заземления.

ENG905-1

Шум

Типичный уровень взвешенного звукового давления (A), измеренный в соответствии с EN61029:

Уровень звукового давления (L_{pA}): 91 дБ (A)
 Уровень звуковой мощности (L_{WA}): 108 дБ (A)
 Погрешность (K): 3 дБ (A)

Используйте средства защиты слуха

ENG900-1

Вибрация

Суммарное значение вибрации (сумма векторов по трем осям) определяется по следующим параметрам EN61029:

Распространение вибрации (a_h): 2,5 м/с² или менее
 Погрешность (K): 1,5 м/с²

ENG901-1

- Заявленное значение распространения вибрации измерено в соответствии со стандартной методикой испытаний и может быть использовано для сравнения инструментов.
- Заявленное значение распространения вибрации можно также использовать для предварительных оценок воздействия.

⚠️ ПРЕДУПРЕЖДЕНИЕ:

- Распространение вибрации во время фактического использования электроинструмента может отличаться от заявленного значения в зависимости способа применения инструмента.
- Обязательно определите меры безопасности для защиты оператора, основанные на оценке воздействия в реальных условиях использования (с учетом всех этапов рабочего цикла, таких как выключение инструмента, работа без нагрузки и включение).

ENH003-15

Только для европейских стран

Декларация о соответствии ЕС

Makita заявляет, что следующее устройство (устройства):

Обозначение устройства:

Комбинированная Торцовочная Пила

Модель/Тип: LF1000

Соответствует (-ют) следующим директивам ЕС:
 2006/42/EC

Изготовлены в соответствии со следующим стандартом или нормативными документами:

EN61029

Технический файл в соответствии с документом 2006/42/EC доступен по адресу:

Makita, Jan-Baptist Vinkstraat 2, 3070, Belgium

30.10.2014

000331

Ясуси Фукайа (Yasushi Fukaya)

Директор

Makita, Jan-Baptist Vinkstraat 2, 3070, Belgium

GEA010-1

Общие рекомендации по технике безопасности для электроинструментов

⚠️ **ПРЕДУПРЕЖДЕНИЕ** Ознакомьтесь со всеми инструкциями и рекомендациями по технике безопасности. Невыполнение инструкций и рекомендаций может привести к поражению электротоком, пожару и/или тяжелым травмам.

Сохраните брошюру с инструкциями и рекомендациями для дальнейшего использования.

ПРАВИЛА ТЕХНИКИ БЕЗОПАСНОСТИ ПРИ ОБРАЩЕНИИ С КОМБИНИРОВАННОЙ ТОРЦОВОЧНОЙ ПИЛОЙ

**для РЕЖИМА ТОРЦОВОЧНОЙ ПИЛЫ И РЕДИМУ
НАСТОЛКОЙ ПИЛЫ (ПИЛЬНЫЙ СТАНОК):**

1. Перед началом работы тщательно проверьте диск на предмет трещин и деформаций. Немедленно замените поврежденный диск.
2. Не используйте пилу без ограждений и расклинивающего ножа, особенно после изменения режима работы. Перед каждым использованием проверьте нормальное закрытие ограждений диска. Не эксплуатируйте пилу, если ограждение диска не перемещается свободно и мгновенно не закрывается. Никогда не фиксируйте и не привязывайте ограждение диска в открытом положении. Немедленно устраните любые нарушения в работе ограждений диска.
3. Используйте только пильные диски, рекомендованные производителем и отвечающие требованиям EN847-1. Ширина пропила должна быть больше толщины расклинивающего ножа, а диск должен быть тоньше расклинивающего ножа.
4. Не используйте циркулярные пилы, изготовленные из быстрорежущей стали.
5. Используйте защитные очки.
6. Используйте средства защиты слуха, чтобы снизить риск потери слуха.
7. Надевайте защитные перчатки при обращении с дисками (по возможности диски следует переносить в чехле) и заготовками.
8. При выполнении пиления подключите инструмент к устройству сбора пыли.
9. Если толкатель не используется, храните его в надежном месте.
10. Содержите площадку на уровне инструмента в порядке, и следите за отсутствием разбросанного материала, например, щепок и обрезков.
11. Оператор имеет соответствующую подготовку для использования, настройки и эксплуатации инструмента.
12. Оставляя пилу без присмотра, выключите ее и отсоедините от розетки.
13. Для снижения шума при пилении дисковая пила всегда должна быть острой и чистой.
14. Используйте только пильные диски, маркировка максимальной скорости которых равна или выше максимальной скорости без нагрузки, указанной на инструменте.
15. Запрещается удалять обрезки или другие части обрабатываемой детали из области резания, если инструмент работает с незащищенным пильным диском.
16. Запрещается использовать инструмент для прорезания пазов, канавок или шпунтования.
17. Перед или во время установки лезвия аккуратно очистите его, чтобы не повредить шпиндель, фланец (особенно его установочную поверхность) и болт крепления. Повреждения этих деталей могут привести к поломке дисковой пилы. Ненадлежащая установка может вызвать вибрации/биения или соскальзывание полотна. Пользуйтесь только фланцами, предназначенными для данного инструмента.
18. Всегда используйте принадлежности, рекомендованные в данном руководстве. Использование несоответствующих принадлежностей, таких как, например, отрезные абразивные круги, может привести к травме.
19. Выбирайте пильный диск в соответствии с материалом, который вы будете резать.
20. Не пилите металлические предметы, такие как гвозди и шурупы. Перед началом работы осмотрите деталь и убедитесь в отсутствии гвоздей, шурупов и других инородных предметов или удалите их.
21. ПЕРЕД началом пиления выберите все твердые выпадающие сучки из распиливаемой детали.
22. Не пользуйтесь инструментом в присутствии легко воспламеняющихся жидкостей или газов.
23. Для обеспечения вашей безопасности перед выполнением работ удалите щепки, небольшие детали и т. п. с поверхности стола перед включением инструмента в сеть и началом работы.
24. Держите руки, посторонних и становитесь сами вне линии пиления циркулярной пилы. Избегайте контакта с любым, вращающимся по инерции, диском. И в этом состоянии он может привести к серьезной травме. Никогда не пытайтесь дотронуться до какого-либо предмета рядом с диском пилы.
25. Будьте постоянно осторожными, особенно при выполнении повторяющихся, монотонных действий. Не подвергайтесь

- ошибочному чувству безопасности. Полотно не прощают ошибок.
26. Перед включением выключателя, убедитесь в том, что блокировка вала стана.
 27. Перед использованием инструмента на реальной детали дайте инструменту немного поработать вхолостую. Убедитесь в отсутствии вибрации или биения, которые могут свидетельствовать о неправильной установке или дисбалансе диска.
 28. Перед началом резки дождитесь, пока диск не наберет полную скорость.
 29. Воздержитесь от удаления каких-либо обрезков или других частей детали из места резки, если инструмент работает и головка пилы не находится в положении покоя.
 30. Немедленно прекратите работу, если вы заметили какие-либо отклонения.
 31. Перед перемещением детали или изменением настроек выключите инструмент и дождитесь остановки дисковой пилы.
 32. Отключите инструмент от сети при замене пильного диска, обслуживания или завершения использования.
 33. Некоторые виды пыли, возникающей при пилении, содержат химические вещества, которые могут вызвать рак, врожденные дефекты или оказать отрицательное воздействие на репродуктивные функции организма. Ниже приведены примеры некоторых таких химических веществ:
 - свинец из материалов, окрашенных красками на основе свинца и,
 - мышьяк и хром из химически обработанной древесины.
 Риск вашему здоровью от воздействия данных веществ зависит от частоты выполнения такой работы. Для снижения воздействия таких химических веществ на ваш организм: работайте в хорошо проветриваемом месте с соответствующими средствами обеспечения безопасности, как, например, пылезащитными масками, которые могут задерживать микроскопические частицы.
 34. Убедитесь в надежном креплении стола рычагом после его переворачивания.

ПРИ ИСПОЛЬЗОВАНИИ В РЕЖИМЕ ТОРЦОВОЙ ПИЛЫ:

35. Используйте пилу только для резки древесины, алюминия или подобных материалов.

36. Не выполняйте каких-либо действий одними руками. При проведении всех типов работ обрабатываемую деталь необходимо прочно закрепить к поворотному столу и направляющей линейке. Никогда не держите обрабатываемую деталь руками.
37. Перед каждым разрезом проверяйте устойчивость инструмента.
38. Устанавливайте под длинные обрабатываемые детали соответствующие дополнительные опоры.
39. Запрещается разрезать настолько маленькие детали, что их размеры не позволяют надежно закрепить их в тисках. Неправильно зажатая деталь может стать причиной отдачи и тяжелых травм.
40. Убедитесь в надежном креплении поворотного стола и его неподвижности во время работы.
41. При пилении под углом убедитесь в надежном креплении кронштейна. Затяните рычаг по часовой стрелке для фиксации кронштейна.
42. Перед включением инструмента убедитесь, что диск не касается поворотного стола в самом нижнем положении, и не касается обрабатываемой детали.
43. Крепко держите ручку. Помните, что во время запуска и остановки пила немного движется вверх или вниз.

ПРИ ИСПОЛЬЗОВАНИИ В РЕЖИМЕ НАСТОЛЬКОЙ ПИЛЫ (ПИЛЬНОГО СТАНКА):

44. Не выполняйте каких-либо действий только одними руками. Это означает, что не следует использовать руки для поддержания или направления разрезаемой детали вместо направляющей планки.
45. Убедитесь в надежном креплении поворотного стола.
46. Убедитесь, что кронштейн надежно закреплен в рабочем положении. Затяните рычаг по часовой стрелке для фиксации кронштейна.
47. Используйте толкатель в виде стержня или блока во избежание работы руками и пальцами около пильного диска.
48. Перед включением выключателя убедитесь, что циркулярная пила не касается расклинивающего ножа или распиливаемой детали.
49. Обратите особое внимание на инструкции, касающиеся снижения риска ОТДАЧИ. ОТДАЧА - это мгновенная реакция на защемление, изгиб или нарушение соосности циркулярной пилы. ОТДАЧА приводит к отбрасыванию распиливаемой

детали обратно по направлению к оператору. **ОТДАЧА МОЖЕТ ПРИВЕСТИ К СЕРЬЕЗНЫМ ТРАВМАМ.** Во избежание ОТДАЧИ циркулярная пила всегда должна быть острой, паз разреза должен быть параллелен пиле, расклинивающий нож и ограждение пилы должны находиться на месте в исправном состоянии. Разрезаемую деталь следует отпускать только после того, как она полностью пройдет пилу. Не следует резать перекрученные или изогнутые детали или детали, не имеющие прямого края, расположенного вдоль направляющей планки.

50. Избегайте резкой быстрой подачи. При пилении трудно распиливаемых деталей максимально медленно подавайте деталь. При подаче не сгибайтесь и не скручивайте распиливаемую деталь. Если пила застряла или зажемилась в распиливаемой детали, немедленно выключите циркулярную пилу. Выключите инструмент из сети. Затем устранили застревание.
51. Перед переворачиванием инструмента всегда проверяйте, что стопорный штифт надежно зафиксировал головку инструмента в самом нижнем положении.

СОХРАНИТЕ ДАННЫЕ ИНСТРУКЦИИ.

⚠ ПРЕДУПРЕЖДЕНИЕ:

НЕ ДОПУСКАЙТЕ, чтобы удобство или опыт эксплуатации данного устройства (полученный от многократного использования) доминировали над строгим соблюдением правил техники безопасности при обращении с этим устройством. **НЕПРАВИЛЬНОЕ ИСПОЛЬЗОВАНИЕ** инструмента или несоблюдение правил техники безопасности, указанных в данном руководстве, может привести к тяжелой травме.

УСТАНОВКА

⚠ ПРЕДУПРЕЖДЕНИЕ:

Содержите площадку вокруг уровня инструмента в чистоте и без разбросанных материалов, таких, как щепа и отрезки.

Установка на верстак

При полностью выдвинутых ножках в качестве высокого стола

Если инструмент невозможно установить неподвижно, поверните регулировочную гайку ножки инструмента, чтобы обеспечить надлежащую

стабильность. Поверните против часовой стрелки (если смотреть сверху), чтобы уменьшить ножку, и по часовой стрелке (если смотреть сверху), чтобы увеличить ее. После регулировки убедитесь, что инструмент стоит неподвижно.

Рис.1

Установите крепежные пластины угловым краем наружу на три ножки инструмента с помощью шестигранных болтов. Затем прикрепите инструмент к неподвижной и ровной поверхности, вставив три болта в отверстия для болтов в крепежных пластинах.

Рис.2

При установке со сложенными ножками в качестве низкого стола

Рис.3

Подготовьте инструмент, сложите ножки, закрепите инструмент с помощью U-образных пазов, как показано на рисунке.

ОПИСАНИЕ ФУНКЦИОНИРОВАНИЯ

⚠️ ПРЕДУПРЕЖДЕНИЕ:

- Перед проведением регулировки или проверки работы инструмента всегда проверяйте, что инструмент выключен, а шнур питания вынут из розетки.

Кожух диска

Рис.4

Рис.5

Рис.6

⚠️ ПРЕДУПРЕЖДЕНИЕ:

- Убедитесь, что рукоятку нельзя опустить без нажатия на рычаг, находящийся слева от рукоятки.
- Убедитесь, что нижние кожухи диска А не открываются без нажатия на рукоятку в самом верхнем положении.
- Перед использованием инструмента в режиме торцовочной пилы обязательно установите нижний кожух диска С.

При опускании рукоятки и нажатии рычага влево, нижний кожух диска А поднимается автоматически. Нижний кожух диска В поднимается и соприкасается с обрабатываемой деталью. Нижние кожухи диска подпружинены, поэтому по окончании распиливания и подъеме рукоятки они возвращаются в исходное положение. Верхний кожух диска ровно ложится на поверхность стола после прохода под ним обрабатываемой детали. **НИКОГДА НЕ ПРЕПЯТСТВУЙТЕ РАБОТЕ И НЕ СНИМАЙТЕ НИЖНИЕ КОЖУХИ ДИСКА, ПРУЖИНУ, ПРИКРЕПЛЕННУЮ К НИЖНЕМУ КОЖУХУ ДИСКА ИЛИ ВЕРХНИЙ КОЖУХ ДИСКА**, за исключением примечания ниже.

В целях Вашей личной безопасности, всегда содержите каждый кожух диска в хорошем состоянии. Необходимо сразу же устранять любые нарушения в работе кожухов. Проверьте и убедитесь в возвратном действии подпружиненных нижних кожухов диска. **НИКОГДА НЕ ПОЛЬЗУЙТЕСЬ ИНСТРУМЕНТОМ, ЕСЛИ НИЖНИЙ КОЖУХ ДИСКА, ПРУЖИНА ИЛИ ВЕРХНИЙ КОЖУХ ДИСКА ПОВРЕЖДЕННЫ, НЕИСПРАВНЫ ИЛИ СНЯТЫ**, за исключением примечания ниже. **ЭТО ОЧЕНЬ ОПАСНО, И МОЖЕТ ПРИВЕСТИ К СЕРЬЕЗНОЙ ЛИЧНОЙ ТРАВМЕ.**

Примечание:

- Существуют следующие исключения по снятию кожухов. Нижний кожух диска С снимается только в том случае, если инструмент используется в режиме настольной пилы. Верхний кожух диска снимается только в том случае, если инструмент используется в режиме торцовочной пилы.

Если какая-либо видимая часть кожуха диска загрязнится, или если опилки настолько прилипли к нему, что диск уже нельзя будет увидеть, выньте штекер инструмента из розетки питания и тщательно очистите кожухи влажной тканью. Не пользуйтесь растворителями или очистителями на основе керосина для очистки пластмассового кожуха.

Если нижний кожух диска А особенно грязный, и сквозь кожух плохо видно, выполните следующее. Полностью поднимите рукоятку. Снимите пыльный диск (см. раздел "Установка или снятие пыльного диска"). Поднимите нижний кожух диска А, надавливая на рычаг влево. Когда нижний кожух диска А находится в таком положении, это упрощает очистку и повышает ее эффективность. По завершении очистки, выполните процедуру в обратном порядке и закрутите болт.

В таком же состоянии для верхнего кожуха диска, как описано выше, нажмите кнопку в передней части до поверхности и снимите верхний кожух диска. После очистки всегда надежно устанавливайте его на место. Если со временем или из-за воздействия ультрафиолетового света какой-либо из этих кожухов диска обесцветится, свяжитесь с сервис-центром Makita и закажите новый кожух. **НЕ УБИРАЙТЕ И НЕ СНИМАЙТЕ КОЖУХИ.**

Обеспечение максимальной производительности резки

Рис.7

Данный инструмент отрегулирован на заводе-изготовителе для обеспечения максимальной производительности резки при использовании пыльного диска в 260 мм.

При установке нового диска всегда проверяйте нижнее предельное положение диска, и, при необходимости, осуществите регулировку следующим образом:

⚠️ ПРЕДУПРЕЖДЕНИЕ:

- При осуществлении данной регулировки вынимайте штекер инструмента из розетки электропитания.

Прежде всего, выньте штекер инструмента из розетки электропитания. Полностью опустите рукоятку. Используйте ключ и поворачивайте регулировочный болт, пока периферия диска не будет немного ниже верхней поверхности поворотного стола, в той точке, где лицевая сторона направляющей линейки соприкасается с верхней поверхностью поворотного стола.

Отключите инструмент от сети, поверните диск рукой, нажимая на рукоятку до конца, чтобы убедиться в том, что диск не касается никакой из частей нижнего основания. При необходимости, слегка отрегулируйте снова.

⚠ ПРЕДУПРЕЖДЕНИЕ:

- После установки нового диска, всегда проверяйте, что диск не касается какой-либо из частей нижнего основания, когда рукоятка полностью опущена. Всегда выполняйте эту процедуру, вынув штекер инструмента из розетки электропитания.

Данный инструмент можно использовать с нижним ограничителем или без него, сдвинув стопор нижнего ограничителя, как показано на рисунке.

Чтобы использовать инструмент без ограничителя, поверните край стопора против часовой стрелки. Используйте данное положение для распила широкой и тонкой обрабатываемой детали.

Чтобы использовать инструмент с нижним ограничителем, переместите край стопора по часовой стрелке. Используйте данное положение для распила толстой обрабатываемой детали.

Рис.8

Регулировка угла резки

Рис.9

Рис.10

Ослабьте зажимной винт на направляющей линейке, повернув его против часовой стрелки. Поверните поворотный стол с помощью рукоятки. После перемещения рукоятки в положение, при котором стрелка указывает на необходимый угол на шкале резки, крепко затяните зажимной винт, повернув его по часовой стрелке.

⚠ ПРЕДУПРЕЖДЕНИЕ:

- При повороте поворотного стола обязательно полностью поднимите рукоятку.
- После изменения угла резки, всегда закрепляйте поворотный стол, крепко затягивая зажимной винт.

Регулировка угла скоса

В режиме торцовочной пилы

Рис.11

Рис.12

Для регулировки угла скоса, ослабьте рычаг в нижней части инструмента, повернув его против часовой стрелки.

Надавите на рукоятку влево, чтобы откинуть пильный диск, при этом стрелка должна указывать на необходимый угол на шкале скоса. Затем крепко затяните рычаг по часовой стрелке, чтобы затянуть ручку.

⚠ ПРЕДУПРЕЖДЕНИЕ:

- При наклоне пильного диска обязательно полностью поднимите рукоятку.
- После изменения угла скоса, всегда закрепляйте кронштейн, затягивая рычаг по часовой стрелке.

В режиме настольной пилы

Рис.13

Для регулировки угла скоса, ослабьте рычаг под столом в передней части инструмента, повернув его против часовой стрелки.

Переместите ручку регулировки глубины влево, чтобы откинуть пильный диск, при этом стрелка должна указывать на необходимый угол на шкале скоса. Затем крепко затяните рычаг по часовой стрелке, чтобы затянуть ручку.

Действие переключения

Рис.14

Переключение в режим торцовочной пилы

⚠ ПРЕДУПРЕЖДЕНИЕ:

- Перед включением инструмента в розетку питания, всегда проверяйте, что рычаг переключения работает надлежащим образом и возвращается в положение "ВЫКЛ", если его отпустить.
- Если инструмент не используется, вынимайте кнопку разблокировки и храните ее в надежном месте. Это предотвратит несанкционированную эксплуатацию.
- Не нажимайте сильно на рычаг переключателя без нажатия на кнопку разблокировки. Это может привести к поломке переключателя.

Для предотвращения непреднамеренного включения рычага переключателя имеется кнопка разблокировки. Для запуска инструмента, нажмите на рычаг блокировки влево, нажмите кнопку разблокировки и нажмите рычаг переключателя. Отпустите рычаг переключателя для остановки.

Переключение в режим настольной пилы

⚠ ПРЕДУПРЕЖДЕНИЕ:

- Перед работой убедитесь, что инструмент включается и выключается.

Для запуска инструмента нажмите кнопку ON (I). Для его остановки нажмите кнопку OFF (O).

Регулировка глубины резки

Рис.15

Глубину резки можно отрегулировать поворотом ручки регулировки глубины резки. Поверните ручку регулировки глубины резки по часовой стрелке, чтобы поднять диск, или против часовой стрелки, чтобы опустить его.

⚠ ПРЕДУПРЕЖДЕНИЕ:

- Используйте настройку мелкой глубины при резке тонких материалов, чтобы добиться более чистого разреза.

⚠ ПРЕДУПРЕЖДЕНИЕ:

- Стопорный штифт повернуть нельзя, если головка инструмента находится в полностью опущенном положении. На данном этапе, немного поверните ручку против часовой стрелки, и стопорный штифт освободится.

Рис.16

Защита от перегрузки

- Только инструменты с напряжением питания от 200 В и выше. Номинальное напряжение см. на паспортной табличке.
- Если нагрузка на инструмент превышает допустимый предел, подача питания к электромотору снижается для предотвращения его перегрева. Когда нагрузка вновь возвращается в допустимые границы, инструмент возобновляет нормальную работу.

МОНТАЖ

⚠ ПРЕДУПРЕЖДЕНИЕ:

- Перед проведением каких-либо работ с инструментом всегда проверяйте, что инструмент выключен, а шнур питания вынут из розетки.

Хранение шестигранного ключа

Рис.17

Шестигранный ключ хранится как показано на рисунке. При использовании шестигранного ключа вытяните его из держателя гаечного ключа. После использования шестигранного ключа установите его обратно в держатель гаечного ключа.

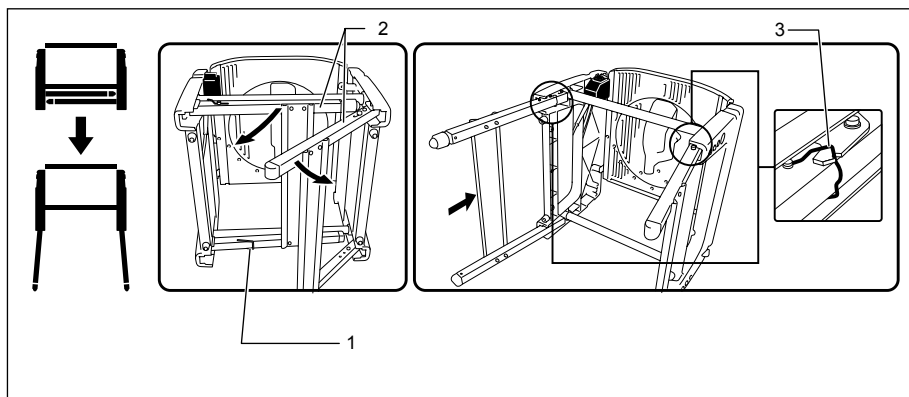
Два положения установки высоты стола

Высоту стола можно установить в два положения: высокий или низкий стол.

⚠ ПРЕДУПРЕЖДЕНИЕ:

- Перед тем, как опустить инструмент назад, всегда переводите инструмент в режим торцовочной пилы, и блокируйте головку инструмента в самом нижнем положении.

1. Установка высокого стола



1. Крючок
2. Опоры
3. Стопорный крючок

006043

Для установки инструмента с высоким столом выполните следующее.

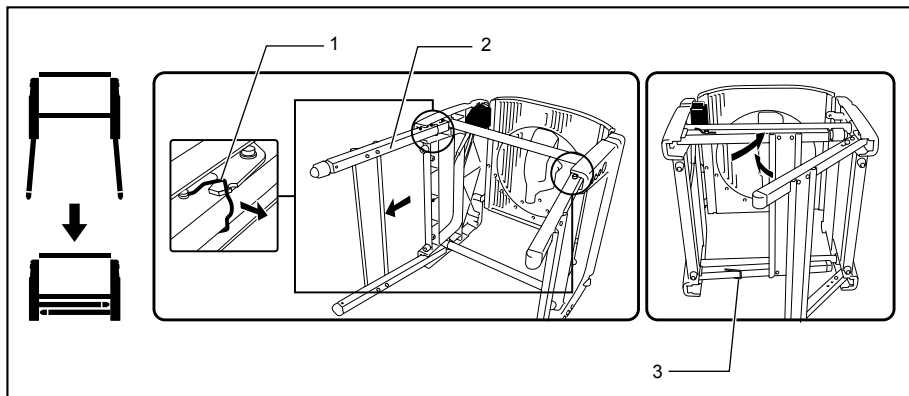
- (1) Обязательно осторожно опустите инструмент НАЗАД, удерживая его обеими руками.
- (2) Поверните крючок в направлении стрелки на рисунке, чтобы освободить ножки. Откройте ножки стола с одной стороны и полностью вытяните нижнюю балку ножек вперед; она заблокируется самостоятельно. Выполните эту же

процедуру с ножками с противоположной стороны. Убедитесь, что ножки с обеих сторон полностью заблокированы.

⚠ ПРЕДУПРЕЖДЕНИЕ:

- Убедитесь, что крючки стопоров установлены надлежащим образом в канавке кронштейна.
- (3) Поднимите инструмент обратно в вертикальное положение.

2. Установка низкого стола



1. Стопорный крючок
2. Опоры
3. Крючок

006044

Ножки можно сложить, как показано на рисунке. Чтобы сложить инструмент выполните следующее.

- (1) Обязательно осторожно опустите инструмент НАЗАД, удерживая его обеими руками.
- (2) Вытяните первый стопор на стыке левой ножки на себя, чтобы разблокировать его.
- (3) Выполните эти же шаги, которые указаны выше, для противоположной ножки.
- (4) Используйте крючок, чтобы зафиксировать ножки.
- (5) Поднимите инструмент обратно в вертикальное положение.

Установка или снятие пильного диска

⚠ ПРЕДУПРЕЖДЕНИЕ:

- Перед установкой или снятием диска, всегда проверяйте, что инструмент выключен, а шнур вынут из розетки электропитания.
- Для установки или снятия дисковой пилы пользуйтесь только шестигранным ключом Makita. В противном случае болт с головкой под внутренний шестигранник можно либо перетянуть, либо не дотянуть. Это может привести к травме.

Поднимите рукоятку в полностью поднятое положение.

Нажмите на кнопку фиксации вала, чтобы заблокировать шпиндель, и при помощи шестигранного ключа ослабьте болт с головкой под внутренний шестигранник, повернув его по часовой стрелке.

Рис.18

Поднимите ограждение режущего диска А с помощью соответствующего подъемного рычага, одновременно толкая влево рычаг рядом с рукояткой. После поднятия ограждения режущего диска А выверните болт с головкой под внутренний шестигранник, снимите внешний фланец и диск.

Рис.19

При установке осторожно установите дисковую пилу на шпиндель так, чтобы стрелка на поверхности пилы совпадала с направлением стрелки на корпусе дисковой пилы. Установите внешний фланец и болт с головкой под внутренний шестигранник, а затем хорошо затяните болт (с левой резьбой), поворачивая его против часовой стрелки при помощи шестигранного ключа, одновременно нажимая стопор вала.

Рис.20

Рис.21

Примечание:

- При установке пильного диска обязательно сначала вставьте его в место между кожухом диска В, а затем поднимите его, чтобы окончательно установить диск в кожухе диска В.

Рис.22

⚠ ПРЕДУПРЕЖДЕНИЕ:

- Кольцо с внешним диаметром 25,4 мм и 30 мм устанавливается на шпиндель на заводе. Перед установкой дисковой пилы на шпиндель всегда проверяйте, что на шпиндель установлено кольцо с соответствующим отверстием для той пилы, которую вы собираетесь использовать.

Возвратите нижний кожух диска А в первоначальное положение. Опустите рукоятку, чтобы убедиться в надлежащем перемещении кожухов диска. Перед выполнением распила, убедитесь, что замок вала освобожден шпindel.

Регулировка расклинивающего ножа

Рис.23

Во время смещения расклинивающего ножа в сторону диска между ножом и зубьями пилы должен быть зазор в 5 – 6 мм. Отрегулируйте расклинивающий нож, сначала ослабив рукой зажимную гайку, повернув ее против часовой стрелки, а затем с помощью шестигранного ключа ослабив болт с головкой под внутренний шестигранник (повернув его против часовой стрелки). После этого измерьте зазор. После регулировки надежно зафиксируйте болт с головкой под внутренний шестигранник и зажимную гайку (повернув по часовой стрелке). Перед началом резания обязательно убедитесь, что расклинивающий нож зафиксирован, а верхнее ограждение режущего диска работает плавно.

Рис.24

Расклинивающий нож устанавливается перед поставкой с предприятия-изготовителя, поэтому диск и расклинивающий нож располагаются на прямой линии после простой установки. См. раздел «Изменение положения расклинивающего ножа» для информации по установке.

Рис.25

⚠ ПРЕДУПРЕЖДЕНИЕ:

- Если диск и расклинивающий нож не отрегулированы надлежащим образом, в ходе работы может возникнуть опасное зажатие. Убедитесь, что расклинивающий нож располагается между двумя внешними краями зубьев диска, если смотреть на него сверху. Если пользоваться инструментом без надлежащим образом отрегулированного расклинивающего ножа, можно получить серьезные личные травмы. Если они не отрегулированы по какой-либо причине, всегда производите их регулировку в уполномоченном сервис-центре Makita.
- Во время регулировки зазора между расклинивающим ножом и зубьями пилы ослабьте болт с головкой под внутренний шестигранник только после ослабления зажимной гайки.

Установка и регулировка направляющей планки

Рис.26

1. Установите направляющую планку на стол, чтобы держатель направляющей планки вошел в сцепление с рельсом направляющей.

Крепко затяните зажимной винт (В) направляющей планки по часовой стрелке.

2. Ослабьте зажимной винт (А).
3. Подвиньте направляющую планку и закрепите ее так, чтобы конец направляющей планки, находящийся дальше от Вас, был выровнен с той точкой, в которой передний край пильного диска немного выдается из-под верхней поверхности обрабатываемой детали. Цель данной регулировки заключается в снижении риска отскока по направлению к оператору той отрезной части обрабатываемой детали, которая будет зажата между пильным диском и направляющей планкой при ее окончательном выталкивании по направлению к оператору. Линия (А) изменяется в зависимости от толщины обрабатываемой детали или уровня стола. Отрегулируйте положение направляющей планки в зависимости от толщины обрабатываемой детали. После регулировки направляющей планки крепко затяните зажимной винт (А).

Рис.27

Примечание:

- Имеется четыре шаблона положения направляющей планки, как показано на рисунке. Направляющая планка имеет две прорези по сторонам, одна прорезь с приподнятым краем с той же стороны, а другая прорезь без него. Используйте поверхность направляющей планки с таким краем, располагая его по направлению к обрабатываемой детали, только при распиловке той детали, которая тоньше обрабатываемой детали.

Рис.28

Примечание:

- Для изменения шаблона направляющей планки, снимите направляющую планку с держателя направляющей планки, открутив зажимной винт (А), и измените расположение направляющей планки по отношению к держателю направляющей планки так, чтобы направляющая планка соприкасалась с держателем направляющей планки в зависимости от типа работы, как показано на рисунке. Вставьте квадратную гайку на держателе направляющей планки в задний край какой-либо из двух прорезей в направляющей планке, чтобы они совпадали, как показано на рисунке.

Для изменения шаблона А или В на шаблон С или D или обратно, снимите квадратную гайку и зажимной винт (А) с держателя направляющей планки, затем расположите зажимной винт (А) и

квадратную гайку с противоположной стороны держателя направляющей планки по сравнению с первоначальным положением. Крепко затяните зажимной винт (А) после вставки квадратной гайки держателя направляющей планки в прорезь направляющей планки. Вставьте квадратную гайку на держателе направляющей планки в обратный конец какой-либо из прорезей направляющей планки, чтобы они совпадали, как показано на рисунке.

Рис.29

Направляющая планка отрегулирована на предприятии-изготовителе параллельно к поверхности диска. Убедитесь, что она параллельна. Чтобы убедиться, что направляющая планка параллельна диску, отрегулируйте высоту диска с помощью ручки регулировки глубины резки так, чтобы диск появлялся в самом верхнем положении от стола. Отметьте один из зубьев диска мелком. Измерьте расстояние (А) и (В) между направляющей планкой и диском. Проведите оба измерения, используя зубец, помеченный мелком. Показания этих двух измерений должны быть одинаковыми. Если направляющая планка не параллельна относительно диска, выполните следующее:

Рис.30

- (1) Поверните регулировочный винт против часовой стрелки.

Рис.31

Рис.32

- (2) Слегка сместите передний край направляющей планки вправо или влево, пока он не станет параллельным относительно диска.
- (3) Крепко затяните регулировочный винт на направляющей планке.

⚠ ПРЕДУПРЕЖДЕНИЕ:

- Обязательно отрегулируйте направляющую планку, чтобы она была параллельна относительно диска, иначе может произойти опасный отскок.
- Обязательно отрегулируйте направляющую планку так, чтобы она не соприкасалась с верхним кожухом диска или пыльным диском.
- Не перемещайте и не переносите инструмент за направляющую планку.
- Приподнимание установленной направляющей планки или усилия по ее смещению вправо или влево, держа за ее верхний край рукой, могут привести к поломке планки и нарушению ее функции.

Установка и регулировка измерителя угла резки

Рис.33

Установите измеритель угла резки, вставив его вал в один из двух пазов стола с передней части. Направляющую измерителя угла резки, которая также используется в качестве направляющей планки, можно установить на измерителе угла резки, в зависимости от выполняемой работы.

Пылесборный мешок

Рис.34

Использование пылесборного мешка упрощает сбор пыли и делает работу по резке чистой. Для крепления пылесборного мешка, наденьте его на пылесборный патрубок.

Когда пылесборный мешок заполнится примерно наполовину, снимите пылесборный мешок с инструмента и вытяните зажим. Удалите содержимое пылесборного мешка, слегка ударив по нему, чтобы удалить частицы, прилипшие к внутренней части, которые могут ухудшить дальнейший сбор пыли.

Рис.35

Если вы подсоедините пылесос к Вашей пиле, это позволит добиться более эффективной и чистой работы.

Рис.36

Колено

Рис.37

⚠ ПРЕДУПРЕЖДЕНИЕ:

- Направьте выпускное отверстие колена в направлении, в котором выпускная пыль и щепка не будут вылетать по направлению к инструменту и людям на рабочей площадке.

Прикрепите колено при изменении направления выпуска пыли.

Крепление обрабатываемой детали

⚠ ПРЕДУПРЕЖДЕНИЕ:

- Очень важно всегда правильно и крепко закреплять обрабатываемую деталь с помощью тисков. Несоблюдение данного требования может привести к повреждению инструмента и/или обрабатываемой детали. ТАКЖЕ ВОЗМОЖНО ПОЛУЧЕНИЕ ЛИЧНЫХ ТРАВМ. Также, после завершения резки, НЕ поднимайте диск, пока он не остановится полностью.

Сублинейка

Рис.38

На направляющую линейку можно установить сублинейку. Во время выполнения левосторонней резки со скосом или в режиме настольной пилы (пыльного станка) снимите сублинейку.

⚠️ ПРЕДУПРЕЖДЕНИЕ:

- Во время выполнения левосторонней резки со скосом или в режиме настольной пилы (пильного станка) снимите сублинейку. В противном случае она будет касаться диска или другой части инструмента, что может привести к тяжелым травмам оператора.

Вертикальные тиски

Рис.39

Горизонтальные тиски можно устанавливать в двух положениях, на левой или на правой стороне направляющей линейки. Вставьте стержень тисков в отверстие в направляющей линейке и затяните зажимной винт, чтобы закрепить стержень тисков. Расположите кронштейн тисков в соответствии с толщиной и формой обрабатываемой детали и закрепите кронштейн тисков, затянув зажимной винт. Если винт крепления кронштейна тисков соприкасается с направляющей линейкой, установите зажимной винт на противоположной стороне кронштейна тисков. Убедитесь, что никакая часть инструмента не соприкасается с тисками при опускании рукоятки до конца. Если какая-либо часть касается тисков, отрегулируйте положение тисков. Прислоните обрабатываемую деталь к направляющей линейке и поворотному столу. Расположите обрабатываемую деталь в необходимом для распиливания положении и надежно закрепите ее, затянув ручку тисков.

⚠️ ПРЕДУПРЕЖДЕНИЕ:

- Обрабатываемая деталь должна быть плотно закреплена к поворотному столу и направляющей линейке.

Установка инструмента в режим настольной пилы

⚠️ ПРЕДУПРЕЖДЕНИЕ:

- Перед использованием инструмента в режиме настольной пилы, убедитесь, что поворотный стол закреплен под углом резки в 0° с помощью зажимного винта на направляющей линейке.
- Перед использованием инструмента в режиме настольной пилы, убедитесь, что головка инструмента закреплена рычагом.
- Перед использованием инструмента в режиме настольной пилы, убедитесь, что расклинивающий нож закреплён на месте соответствующим образом.
- Перед использованием инструмента в режиме настольной пилы снимите нижний кожух диска С.
- В режиме настольной пилы освободите стопор нижнего ограничителя.

Инструмент поставляется с предприятия-изготовителя в режиме торцовочной пилы. Перед использованием инструмента в режиме настольной пилы измените установку и выполните процедуру ниже.

1. Крепление поворотного стола

Рис.40

Чтобы закрепить поворотный стол, крепко затяните зажимной винт на направляющей линейке под углом резки в 0°.

2. Крепление головки инструмента

Рис.41

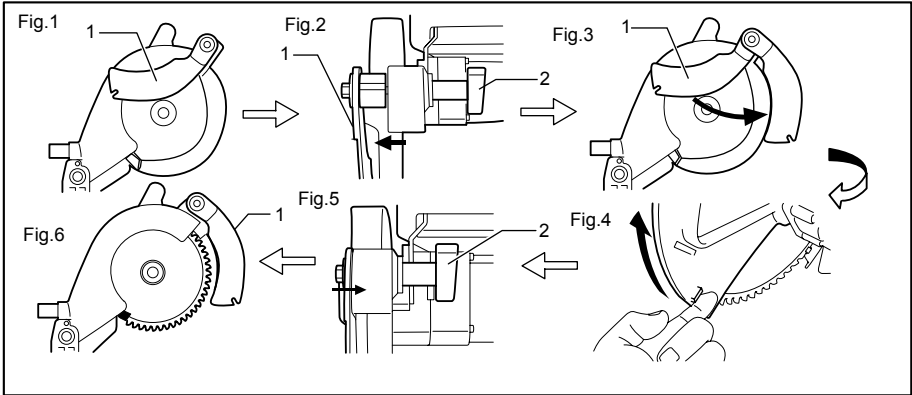
Закрепите головку инструмента, повернув рычаг в направлении стрелки, показанной на рисунке.

3. Разблокировка стопора нижнего ограничителя

Рис.42

Убедитесь, что край стопора нижнего ограничителя находится в положении А на рисунке. Поверните край стопора нижнего ограничителя против часовой стрелки в положение А, если он находится в положении В.

4. Изменение положения расклинивающего ножа



1. Расклинивающий нож
2. Зажимная гайка

006068

Положение (Рис. 1) необходимо изменить следующим образом.

- (1) Ослабьте зажимную гайку (Рис. 2).
- (2) Потяните и поверните расклинивающий нож в положение под углом в 90° в направлении стрелки (Рис. 3). Затем слегка надавите на него, чтобы он стал неподвижным в таком положении.
- (3) Полностью поднимите нижний кожух диска А за выступ рукой, надавливая на рычаг около рукоятки влево, и отпустите рычаг около рукоятки (Рис. 4).
- (4) Надавите на расклинивающий нож в направлении стрелки (см. Рис. 5), чтобы он выровнялся по отношению к пильному диску.
- (5) После надавливания на расклинивающий нож в направлении стрелки, показанной на рисунке, отпустите нижний кожух диска А.
- (6) После выравнивания расклинивающего ножа крепко затяните зажимную гайку (см. Рис. 6).

5. Снятие нижнего кожуха диска С

Рис.43

Снимите нижний кожух диска С со стола, открутив зажимной винт.

6. Блокировка головки инструмента в полностью опущенном положении

Рис.44

Рис.45

После установки расклинивающего ножа для режима настольной пилы, потяните за стопор в направлении стрелки А и поверните его на угол в 90° в направлении стрелки В с вытянутым

стопором. Затем опустите рукоятку, чтобы заблокировать головку инструмента.

⚠️ ПРЕДУПРЕЖДЕНИЕ:

- Если головку инструмента нельзя заблокировать в полностью опущенном положении, поверните ручку регулировки глубины на несколько оборотов по часовой стрелке.
- Перед опрокидыванием инструмента всегда проверяйте, что стопорный штифт надежно зафиксировал головку инструмента в самом нижнем положении.

7. Переворачивание инструмента

⚠️ ПРЕДУПРЕЖДЕНИЕ:

- Перед тем, как перевернуть инструмент, убедитесь, что инструмент выключен, а вилка вынута из розетки электропитания.
- При нажатии на рычаг обязательно располагайте руку/палец вдали от области установки рычага и стола.

Рис.46

Держась за среднюю часть края стола одной рукой, надавите на рычаг другой рукой, надежно удерживая край стола, и осторожно переверните стол. Продолжайте удерживать до щелчка.

8. Установка верхнего кожуха диска

Рис.47

Надавите на кнопку верхнего кожуха диска до боковой поверхности, установите его на выемке расклинивающего ножа при нажатой кнопке, затем отпустите кнопку.

После отпущания кнопки убедитесь, что верхний кожух диска закреплен; попытайтесь вытянуть его.

⚠ ПРЕДУПРЕЖДЕНИЕ:

- После установки верхнего кожуха диска убедитесь, что он работает плавно.

Установка инструмента в режим торцовочной пилы

⚠ ПРЕДУПРЕЖДЕНИЕ:

- Перед использованием инструмента в режиме торцовочной пилы обязательно установите нижний кожух диска С.

Чтобы изменить установку с режима настольной пилы в режим торцовочной пилы, выполните процедуру раздела «Установка инструмента в режим настольной пилы» в обратной последовательности.

1. Снятие верхнего кожуха диска

Надавите на кнопку верхнего кожуха диска до боковой поверхности, затем просто поднимите верхний кожух диска вверх, не отпуская кнопку.

2. Установка нижнего кожуха диска С

Установите нижний кожух диска С на стол, чтобы он вошел в щель стола, и крепко затяните зажимной винт.

3. Переворачивание инструмента

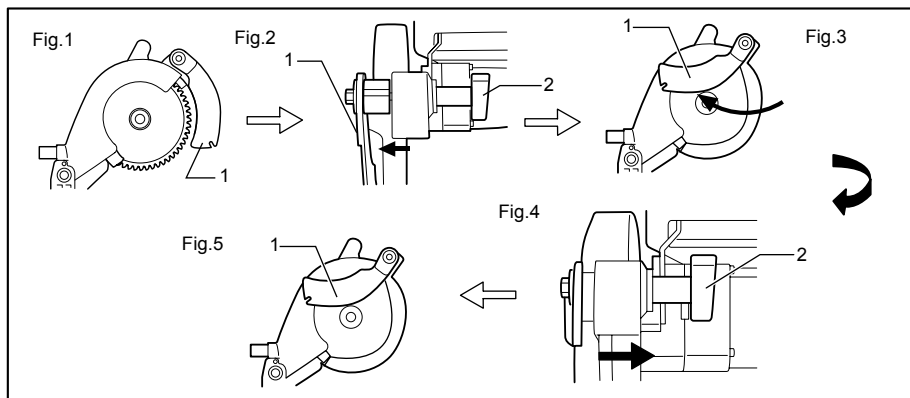
См. такую же процедуру в разделе «Установка инструмента в режим настольной пилы».

4. Освобождение головки инструмента из полностью опущенного положения

Рис.48

Удерживая рукоятку, вытяните стопорный штифт в направлении стрелки А, поверните ее под углом в 90° в направлении стрелки В с вытянутым штифтом, затем медленно поднимите рукоятку.

5. Изменение положения раскливающего ножа



- 1. Раскливающий нож
- 2. Зажимная гайка

006075

Положение раскливающего ножа (Рис. 1) следует изменить следующим образом.

- (1) Ослабьте зажимную гайку и возьмитесь за нижний кожух диска А (Рис. 2), удерживая его рукой за выступ.
- (2) Удерживая нижний кожух диска А, потяните за раскливающий нож, чтобы он поворачивался, и поверните его в положение, указанное стрелкой (Рис. 3).
- (3) Удерживая раскливающий нож в данном положении, возвратите нижний кожух диска А в первоначальное положение, и крепко затяните зажимной винт (Рис. 4, 5).

ЭКСПЛУАТАЦИЯ

⚠ ПРЕДУПРЕЖДЕНИЕ:

- Перед эксплуатацией обязательно освободите рукоятку из нижнего положения, вытянув стопорный штифт и повернув его под углом в 90°.
- Перед включением переключателя, убедитесь в том, что диск не касается обрабатываемой детали и т.д.

РАСПИЛОВКА В РЕЖИМЕ ТОРЦОВОЧНОЙ ПИЛЫ

⚠️ ПРЕДУПРЕЖДЕНИЕ:

- Перед использованием инструмента в режиме торцовочной пилы обязательно установите нижний кожух диска С.

⚠️ ПРЕДУПРЕЖДЕНИЕ:

- Не прилагайте чрезмерное давление на рукоятку при резке. Избыточное усилие может привести к перегрузке двигателя и/или снижению эффективности резки. Нажимайте на рукоятку только с тем усилием, которое необходимо для плавной резки и без значительного снижения скорости резки.
- Осторожно надавите на рукоятку для выполнения резки. Если нажать на рукоятку с усилием, или если приложить боковое усилие, диск будет вибрировать, и оставит след (след пилы) на обрабатываемой детали, что приведет к снижению точности разреза.

1. Резка с нажимом

Рис.49

Приложите и прикрепите обрабатываемую деталь к направляющей планке и поворотному основанию. Включите инструмент, когда диск ничего не касается, и подождите, пока диск не достигнет полной скорости, перед тем, как опустить его. Затем осторожно опустите рукоятку в полностью опущенное положение, чтобы распилить обрабатываемую деталь. По завершении резки, отключите инструмент и ПОДОЖДИТЕ, ПОКА ДИСК НЕ ОСТАНОВИТСЯ ПОЛНОСТЬЮ, перед тем, как вернуть диск в полностью поднятое положение.

2. Резка под углом

См. раздел "Регулировка угла резки" выше.

3. Резка со скосом

Рис.50

Ослабьте рычаг и откиньте пильный диск, чтобы отрегулировать угол скоса (см. раздел "Регулировка угла скоса" выше). Обязательно крепко затяните рычаг, чтобы обеспечить выбранный угол скоса. Приложите и прикрепите обрабатываемую деталь к направляющей планке и поворотному основанию. Включите инструмент, когда диск ничего не касается, и подождите, пока диск не достигнет полной скорости. Затем медленно опустите рукоятку в полностью опущенное положение, прилагая давление параллельно диску. По завершении резки, отключите инструмент и ПОДОЖДИТЕ, ПОКА ДИСК НЕ ОСТАНОВИТСЯ ПОЛНОСТЬЮ, перед тем, как вернуть диск в полностью поднятое положение.

⚠️ ПРЕДУПРЕЖДЕНИЕ:

- Всегда следите за тем, чтобы диск опускался в направлении скоса при выполнении распилов со скосом. Держите руки вдали от направления движения пильного диска.
- При выполнении резки со скосом, может произойти то, что отпиленная деталь будет упираться в боковую часть диска. Если поднять диск, когда он еще вращается, эта деталь может зацепиться за диск, в результате чего произойдет разброс фрагментов, и это опасно. Диск следует поднимать ТОЛЬКО после того, как диск полностью остановится.
- При нажатии на рукоятку, прилагайте давление, параллельное диску. Если давление не будет параллельным диску при выполнении резки, угол диска может сместиться, что приведет к снижению точности резки.
- Обязательно снимите сублинейку во время выполнения левосторонней резки со скосом.

4. Составная резка

Составная резка представляет собой процесс, при котором резка со скосом применяется одновременно с резкой под углом обрабатываемой детали. Составную резку можно осуществлять под углами, показанными в таблице.

Угол скоса	Угол резки
45°	Влево и вправо 0° - 45°

006366

При выполнении составной резки см. объяснения в разделах "Резка с нажимом", "Резка под углом" и "Резка со скосом".

5. Резка алюминиевого профиля

Рис.51

При креплении алюминиевого профиля, используйте распорные блоки или детали металллолома, как показано на рисунке, чтобы предотвратить деформацию алюминия. При резке алюминиевого профиля используйте смазочное вещество для резки, чтобы предотвратить накопление алюминиевого материала на диске.

⚠️ ПРЕДУПРЕЖДЕНИЕ:

- Никогда не пытайтесь резать толстый или круглый алюминиевый профиль. Крепление толстого алюминиевого профиля при работе может ослабнуть, а круглый алюминиевый профиль невозможно крепко закрепить с помощью данного инструмента.
- Никогда не режьте алюминий в режиме настольной пилы (пильного станка).

РАСПИЛОВКА В РЕЖИМЕ НАСТОЛЬНОЙ ПИЛЫ (ПИЛЬНОГО СТАНКА)

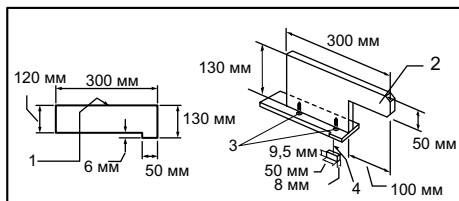
⚠ ПРЕДУПРЕЖДЕНИЕ:

- Всегда используйте подручные средства, такие, как нажимные палки и брусья, если существует опасность того, что руки или пальцы могут быть около диска.
- Всегда надежно прикрепляйте обрабатываемую деталь к столу и направляющей планке. Не сгибайтесь и не скручивайте ее при подаче. Если обрабатываемая деталь скручена или согнута, может произойти опасный отскок.
- НИКОГДА не вытягивайте обрабатываемую деталь, если диск крутится. Если Вам необходимо вытянуть обрабатываемую деталь до завершения распила, сначала выключите инструмент, крепко удерживая обрабатываемую деталь. Перед вытягиванием обрабатываемой детали подождите, пока диск полностью остановится. Несоблюдение данного требования может привести к опасным отскокам.
- НИКОГДА не убирайте отрезанные материалы, если диск крутится.
- НИКОГДА не располагайте руки или пальцы на линии продвижения пильного диска.
- Всегда надежно закрепляйте направляющую планку, иначе могут произойти опасные отскоки.
- Всегда используйте подручные средства, такие, как нажимные палки и брусья при распиливании небольших или узких обрабатываемых деталей, или если при распиливании не видны сучья.
- Во время резки в режиме настольной пилы (пильного станка) снимите сублинейку.

Подручные средства

Подручными средствами являются нажимные палки, нажимные брусья или вспомогательные планки. Используйте их для выполнения безопасных, уверенных распилов, чтобы оператор не касался диском какой-либо части тела.

Нажимной брусок



1. Фаска/край параллельны
2. Ручка
3. Шуруп
4. Направить вместе

006080

Используйте 19-мм кусок клееной фанеры.

Ручка должна быть в центре куска клееной фанеры. Закрепите клеем и шурупами, как показано. Чтобы предотвратить притупление диска, если оператор по ошибке начнет резать нажимной брусок, необходимо всегда приклеивать небольшой брусок дерева размером в 9,5 мм x 8 мм x 50 мм к клееной фанере. (Никогда не забивайте гвозди в нажимной брусок.)

Вспомогательная планка

Рис.52

Изготовьте вспомогательную планку из фанерных деталей размером в 9,5 и 19 мм.

Продольная распиловка

⚠ ПРЕДУПРЕЖДЕНИЕ:

- При продольной распиловке снимайте со стола измеритель угла резки.
 - При распиловке длинных или больших обрабатываемых деталей, всегда обеспечивайте надлежащую поддержку за пределами стола. НЕ позволяйте длинной доске двигаться или смещаться на столе. Это приведет к защемлению диска и повышению вероятности отскока и личной травмы. Опора должна находиться на той же высоте, что и стол.
1. Отрегулируйте глубину распила немного выше, чем толщина обрабатываемой детали. Для проведения данной регулировки см. раздел «Регулировка глубины резки».
 2. Расположите направляющую планку на нужной глубине продольного распила и закрепите ее на месте, затянув зажимной винт (А). Перед выполнением продольной распиловки убедитесь, что два винта держателя направляющей планки закручены. Если он недостаточно закреплен, затяните его.
 3. Включите инструмент, и осторожно подайте обрабатываемую деталь к диску вдоль направляющей планки.
 - (1) Если ширина продольного распила составляет 150 мм и шире, осторожно подавайте обрабатываемую деталь одной рукой. Другой рукой придавливайте обрабатываемую деталь к направляющей планке.
 - (2) Если ширина продольного распила равна 65 - 150 мм, используйте нажимную палку для подачи обрабатываемой детали.

Рис.53

Рис.54

- (3) Если ширина продольного распила уже, чем 65 мм, нажимной палкой воспользоваться нельзя, так как она ударится о кожух диска. Используйте вспомогательную планку и нажимной брусок.

Прикрепите вспомогательную планку двумя "С"-образными зажимами.

Рис.55

Подавайте обрабатываемую деталь рукой, пока ее конец не будет находиться на расстоянии примерно в 25 мм от переднего края верхнего стола. Продолжайте подачу, используя нажимной брусок сверху вспомогательной планки до завершения распила.

Рис.56

Поперечная распиловка

⚠️ПРЕДУПРЕЖДЕНИЕ:

- При осуществлении поперечной распиловки снимайте вспомогательную планку со стола.
- При распиловке длинных или больших обрабатываемых деталей, всегда обеспечивайте надлежащую поддержку с боковых сторон стола. Опора должна находиться на той же высоте, что и стол.
- Всегда держите руки подальше от хода диска.

Измеритель угла резки

Используйте измеритель угла резки для 4 типов распиловки, показанных на рисунке.

Рис.57

⚠️ПРЕДУПРЕЖДЕНИЕ:

- Осторожно закрепите ручку на измерителе угла резки.
- Избегайте проскальзывания рабочей детали и измерителя, обеспечив надежное рабочее крепление, особенно при распиловке под углом.
- ЗАПРЕЩАЕТСЯ держаться или браться за предполагаемую «отпиливаемую» часть обрабатываемой детали.

Использование измерителя угла резки

Рис.58

Задвиньте измеритель угла резки в толстые пазы в столе. Ослабьте ручку на измерителе и совместите с необходимым углом (от 0° до 60°). Приклоните деталь заподлицо к планке и осторожно подайте ее к диску.

Вспомогательная деревянная обшивка (измеритель угла резки)

Рис.59

Для предотвращения качания длинной доски, установите на измеритель угла резки вспомогательную направляющую доску. Закрепите ее болтами/гайками, просверлив отверстия, но при этом крепежные детали не должны выступать на поверхности доски.

Переноска инструмента

Рис.60

Убедитесь, что штекер инструмента вынут из розетки электропитания. Если инструмент только что использовался в режиме торцовочной пилы, закрепите диск под углом скоса в 0° и поверните стол под углом резки в 0°. Полностью опустите рукоятку и закрепите ее в нижнем положении, полностью вдавив стопорный штифт.

Переносите инструмент, держась за ту часть, которая показана на рисунке.

Рис.61

⚠️ПРЕДУПРЕЖДЕНИЕ:

- Перед тем, как переносить инструмент, всегда закрепляйте все подвижные части.
- Перед переноской инструмента всегда устанавливайте его в режим торцовочной пилы.
- Убедитесь, что нижний кожух диска С установлен на инструмент.

ТЕХОБСЛУЖИВАНИЕ

⚠️ПРЕДУПРЕЖДЕНИЕ:

- Перед проверкой или проведением техобслуживания всегда проверяйте, что инструмент выключен, а штекер отсоединен от розетки.
- Запрещается использовать бензин, лигроин, растворитель, спирт и т.п. Это может привести к изменению цвета, деформации и появлению трещин.

⚠️ПРЕДУПРЕЖДЕНИЕ:

- Всегда следите за заточкой и чистотой диска для обеспечения наилучшей и безопасной работы.

Регулировка угла резки

Данный инструмент тщательно отрегулирован и выверен на предприятии-изготовителе, но грубая эксплуатация может нарушить регулировку. Если регулировка Вашего инструмента нарушена, выполните следующее:

1. Угол резки

Рис.62

Болты регулировки угла резки в 0° расположены в четырех местах.

Ослабьте четыре болта регулировки угла резки в 0°, повернув их против часовой стрелки, если смотреть снизу стола.

Полностью опустите рукоятку и заблокируйте ее в опущенном положении, потянув и повернув стопорный штифт под углом в 90° по часовой стрелке. Установите прямой угол диска по отношению к стороне направляющей линейки с помощью треугольной линейки, угольника и т.д. Затем крепко затяните четыре регулировочных болта на вспомогательном кронштейне снизу

стола. Убедитесь, что стрелка указывает на 0° на шкале угла резки. Если это не так, отрегулируйте положение стрелки, ослабив винт крепления стрелки. После регулировки крепко затяните винт.

Рис.63

2. Угол скоса

Рис.64

- (1) Угол скоса в 0°
Полностью опустите рукоятку и заблокируйте ее в опущенном положении, потянув и повернув стопорный штифт под углом в 90° по часовой стрелке. Ослабьте рычаг в нижней части инструмента. Поверните регулировочный болт угла скоса в 0° с правой стороны вспомогательного кронштейна снизу стола на два или три оборота против часовой стрелки, чтобы наклонить диск вправо. Тщательно установите прямой угол диска по отношению к верхней поверхности поворотного стола с помощью треугольной линейки, угольника и т.д., повернув болт регулировки угла скоса в 0° по часовой стрелке.

Рис.65

Убедитесь, что стрелка на поворотном столе указывает на 0° на шкале угла скоса на кронштейне. Если стрелка не указывает на 0°, ослабьте винт крепления стрелки и отрегулируйте стрелку, чтобы она указывала на 0°.

Рис.66

- (2) Угол скоса в 45°
Производите регулировку угла скоса в 45° только после регулировки угла скоса в 0°. Для регулировки угла скоса влево на 45°, ослабьте рычаг и наклоните диск полностью влево. Убедитесь, что стрелка на кронштейне указывает на 45° на шкале угла скоса на кронштейне. Если стрелка не указывает на 45°, поворачивайте болт регулировки угла скоса влево на 45° снизу стола с левой стороны вспомогательного кронштейна, пока стрелка не будет указывать на 45°.

Замена угольных щеток

Рис.67

Регулярно вынимайте и проверяйте угольные щетки. Заменяйте их, если они изношены до ограничительной отметки. Содержите угольные щетки в чистоте и в свободном для скольжения в держателях положении. При замене необходимо менять обе угольные щетки одновременно. Используйте только одинаковые угольные щетки.

Используйте отвертку для снятия крышек щеткодержателей. Извлеките изношенные угольные щетки, вставьте новые и закрутите крышки щеткодержателей.

Рис.68

После использования

- После использования инструмента сотрите щепу и пыль, прилипшие к инструменту, с помощью ткани или подобного предмета для обеспечения максимального срока службы. Содержите кожухи диска в чистом виде в соответствии с инструкциями в разделе "Кожух диска". Смазывайте скользящие части машинным маслом для предотвращения коррозии.

Для обеспечения БЕЗОПАСНОСТИ и НАДЕЖНОСТИ оборудования, ремонт, любое другое техобслуживание или регулировку необходимо производить в уполномоченных сервис-центрах Makita, с использованием только сменных частей производства Makita.

ДОПОЛНИТЕЛЬНЫЕ АКСЕССУАРЫ

⚠ ПРЕДУПРЕЖДЕНИЕ:

- Эти принадлежности или насадки рекомендуются использовать вместе с вашим инструментом Makita, описанным в данном руководстве. Использование каких-либо других принадлежностей или насадок может представлять опасность получения травм. Используйте принадлежность или насадку только по указанному назначению.

Если вам необходимо содействие в получении дополнительной информации по этим принадлежностям, свяжитесь со своим местным сервис-центром Makita.

- Стальные и твердосплавные пильные диски
- Вертикальные тиски
- Шестигранный ключ 6
- Пылесборный мешок
- Треугольная линейка
- Пылесборный кожух (нижний кожух диска C)
- Нажимная палка
- Блок линейки (направляющая планка)
- Измеритель угла резки
- Крепежные пластины (3 шт.)
- Шестигранные болты (3 шт.)
- Колено
- Блок верхней крышки (верхний кожух диска)

Примечание:

- Некоторые элементы списка могут водить в комплект инструмента в качестве стандартных приспособлений. Они могут отличаться в зависимости от страны.

Makita Jan-Baptist Vinkstraat 2, 3070, Belgium
Makita Corporation Anjo, Aichi, Japan