

LB016 | 1.6 TONNE LEVER CHAIN HOIST

The LB016 is 1.6 tonne lever chain hoist from KITO available from 800 kg to 9 tonne. This model is part of Red Rooster Lifting's full range of KITO equipment available.



Ideal for pulling, lifting or tensioning the KITO Lever Hoist Model LB stands out with its high performance and can handle even the most difficult challenges facing the industry. This is the case in sectors like ship-building where sheet metal plates are pulled into place or where beams and girders have to be connected together. The LB model is ideal where precision work in very confined spaces is particularly important.

By using double reduction gearing and a patented induction hardening process on load bearing parts, the hoists weight and size is reduced while improving overall strength. As a result, you can use less hand force to operate and enjoy improved portability.

STANDARD FEATURES

- Freewheel safeguard (not LB-OF without freewheel mechanism)
- Quad riveted bottom hook
- Nickel-plated load chain grade V (G100)
- Made in Japan

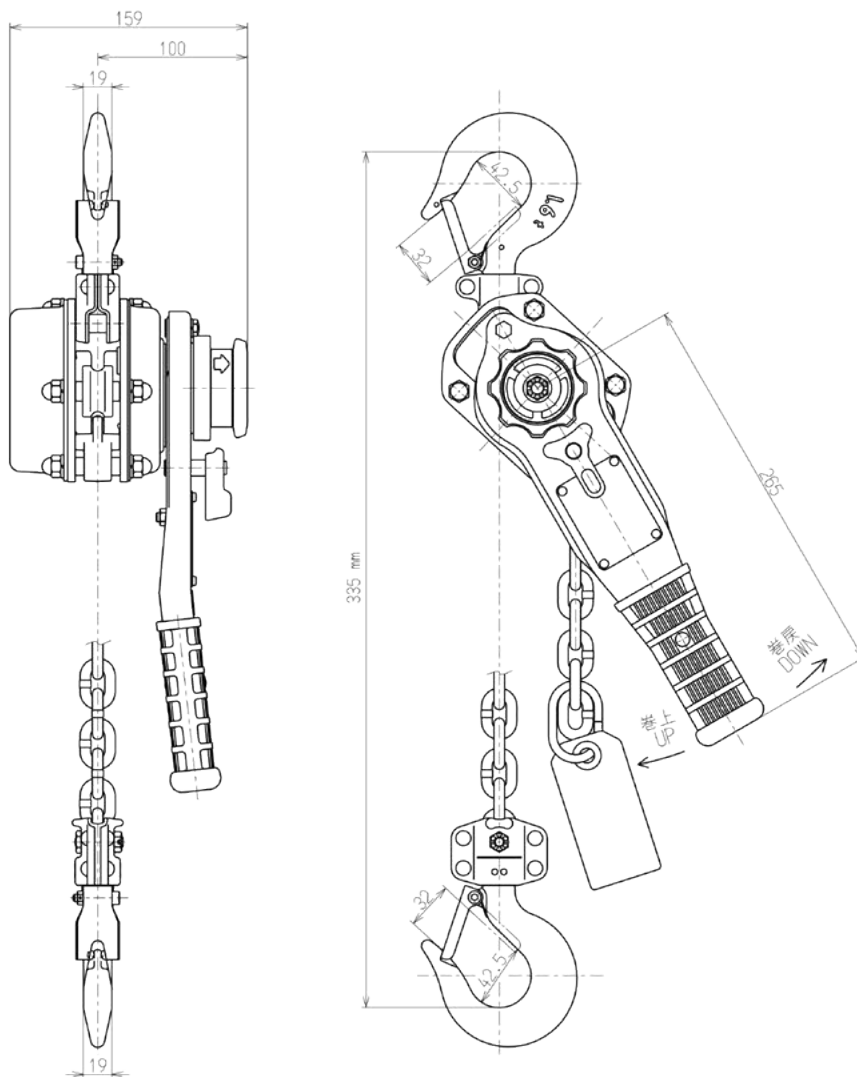
AVAILABLE OPTIONS

- With overload limiter LB-OLL
- Without freewheel mechanism LB-OF
- Shipyard hook
- Overload signal LB-LOS
- Wire rope clip

LB016 | 1.6 TONNE LEVER CHAIN HOIST

DIMENSIONS

All measurements are in mm
Information subject to change without notice



MODEL	WLL	CHAIN FALL	LOAD CHAIN DIA	STANDARD HOL
LB016	1600 kg	1	7.1 x 19.9 mm	1.5 m
MODEL	HAND PULL TO LIFT FULL LOAD	NET WEIGHT	WEIGHT FOR ADDITIONAL M HOL	
LB016	33.3 daN	8.0 kg	1.1 kg	