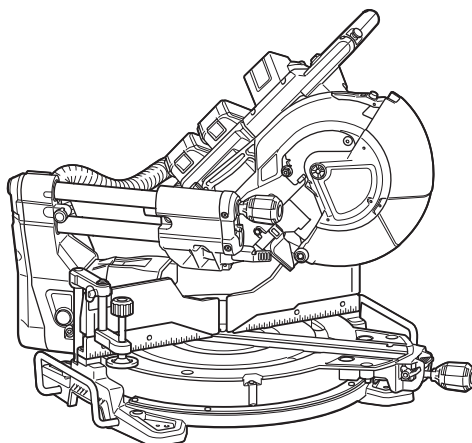




| | | | |
|-----------|---|------------------------------------|------------|
| EN | Cordless Slide Compound Miter Saw | INSTRUCTION MANUAL | 16 |
| SV | Batteridrivnen skjutbar kap- och geringskombinationssåg | BRUKSANVISNING | 36 |
| NO | Batteridrevet skyvbar gjæringssag for kombinasjonssaging | BRUKSANVISNING | 56 |
| FI | Akkukäyttöinen liukujiirisaha | KÄYTTÖOHJE | 76 |
| LV | Bezvadu slīdrāmja kombinētais leņķzāģis | LIETOŠANAS INSTRUKCIJA | 96 |
| LT | Akumulatorinės kombinuotosios nuleidžiamos skersavimo ir kampų suleidimo staklės | NAUDOJIMO INSTRUKCIJA | 117 |
| ET | Juhtmeta liuglõike eerungisaag | KASUTUSJUHEND | 137 |
| RU | Акумуляторная Торцовочная Пила Консольного Типа | РУКОВОДСТВО ПО ЭКСПЛУАТАЦИИ | 157 |

DLS110
DLS111
DLS112



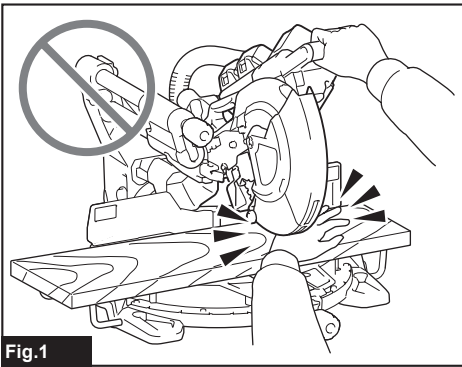


Fig.1

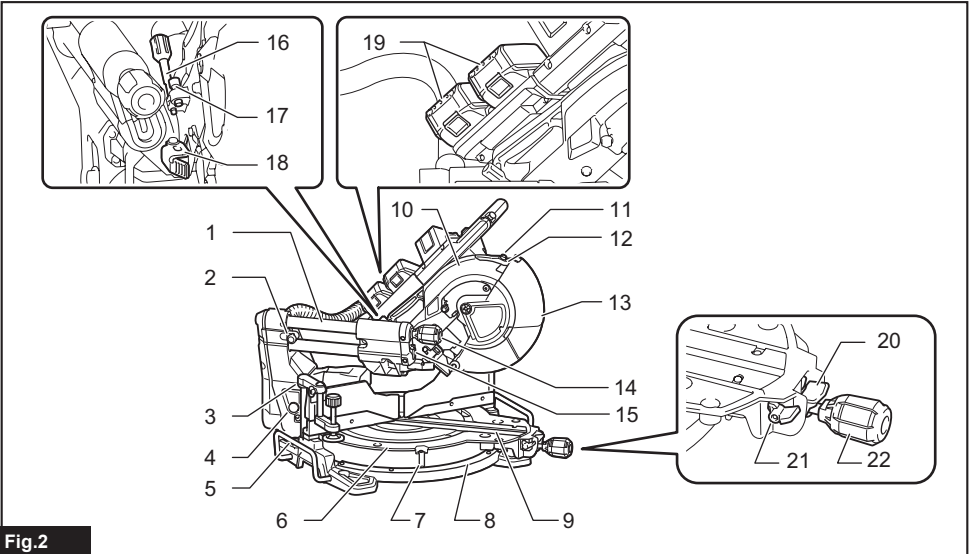
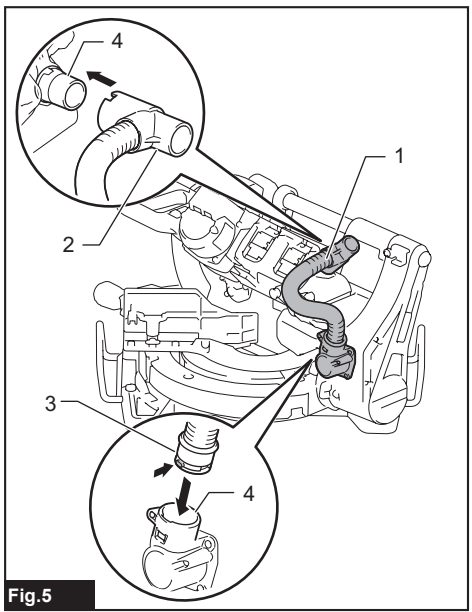
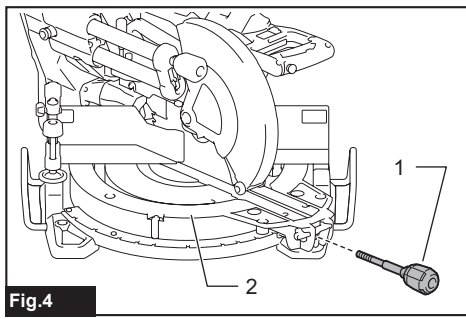
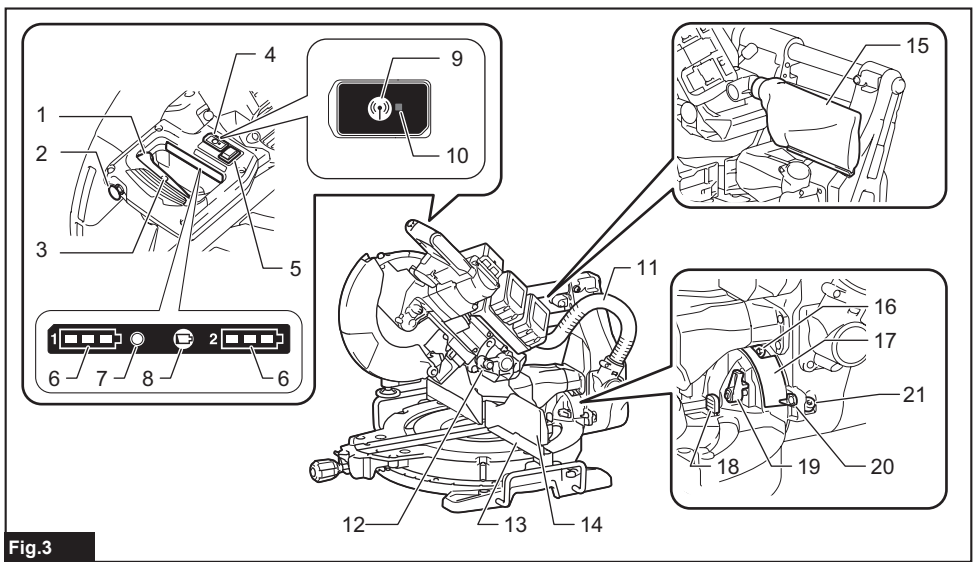
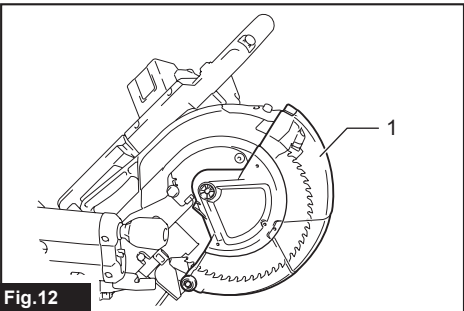
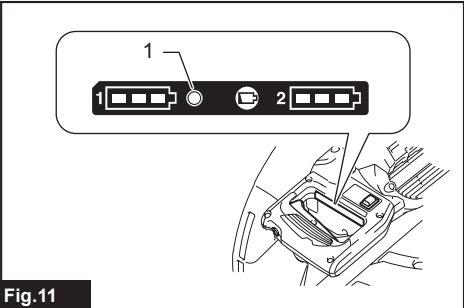
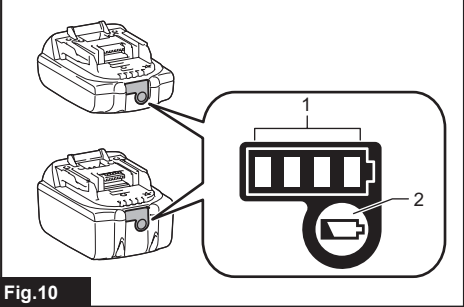
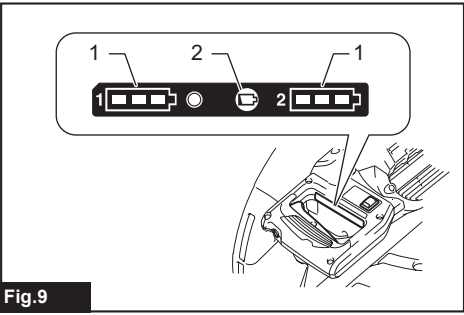
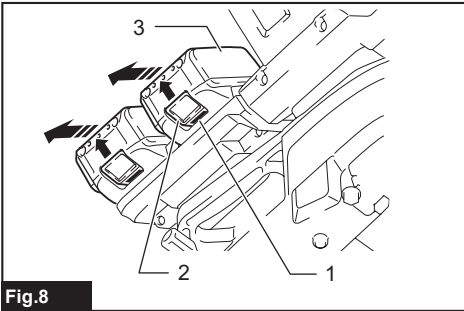
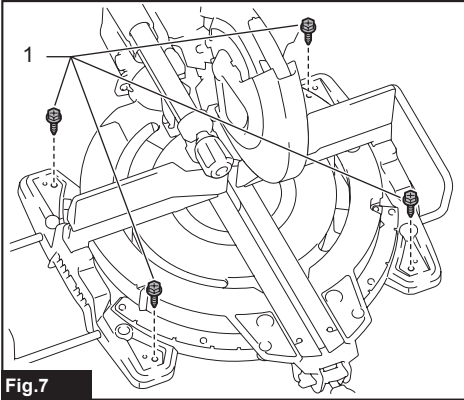
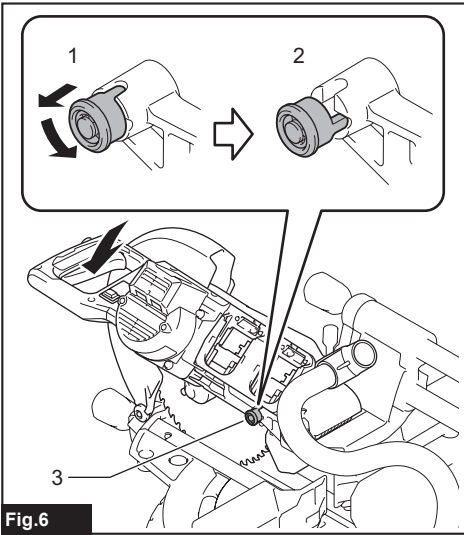


Fig.2





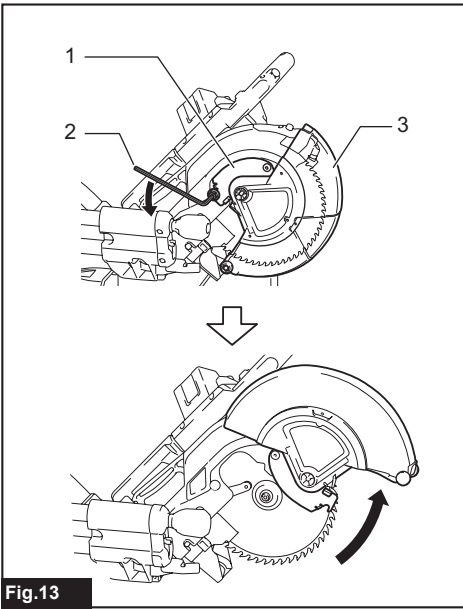


Fig. 13

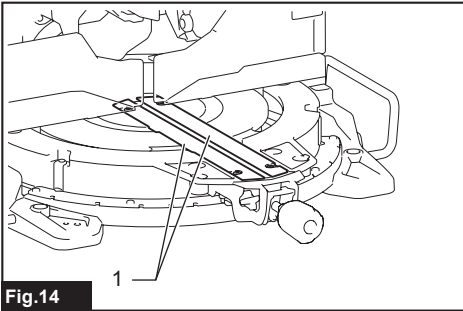


Fig. 14

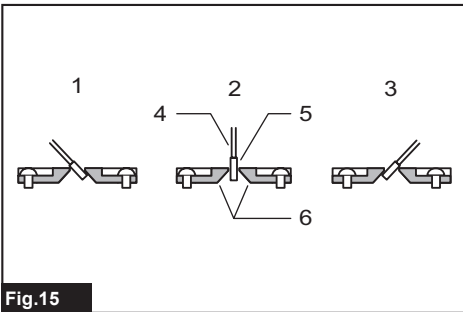


Fig. 15

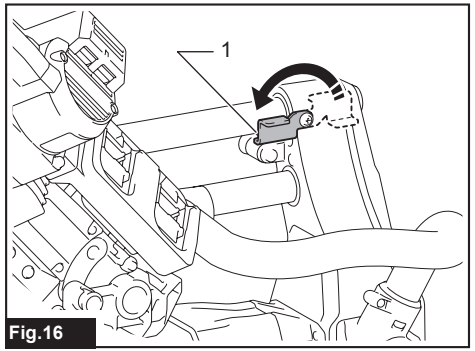


Fig. 16

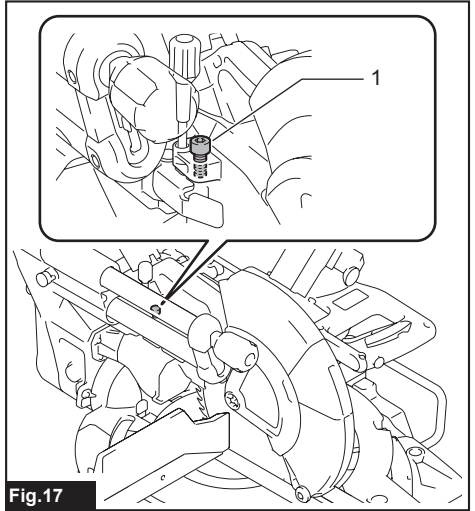


Fig. 17

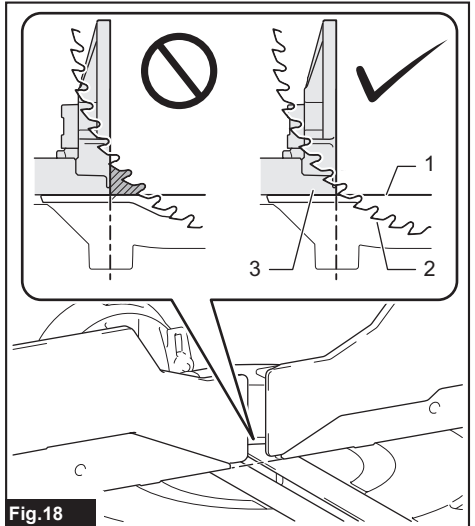


Fig. 18

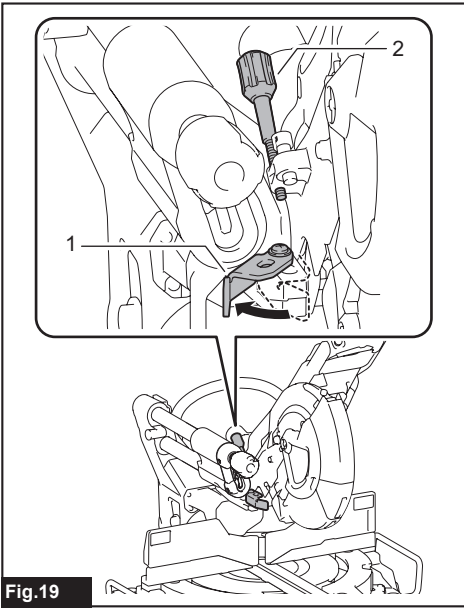


Fig.19

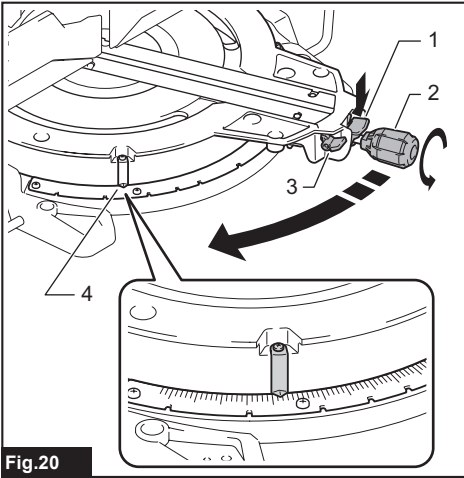


Fig.20

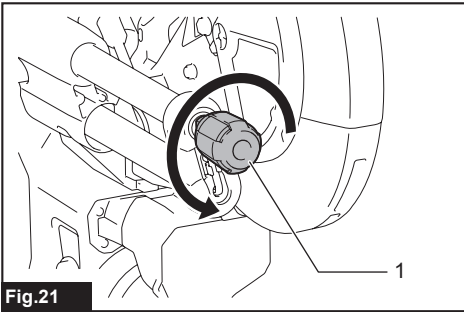


Fig.21

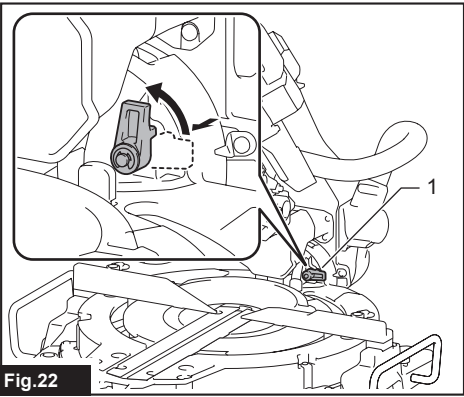


Fig.22

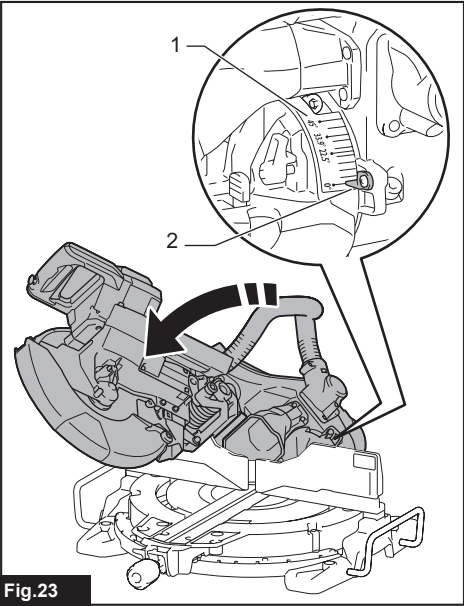


Fig.23

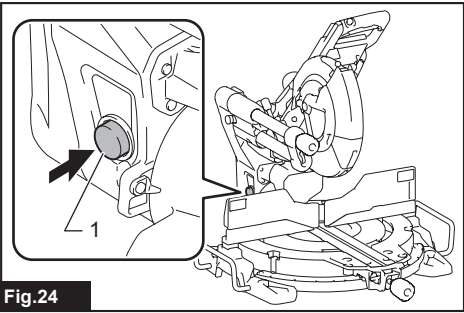


Fig.24

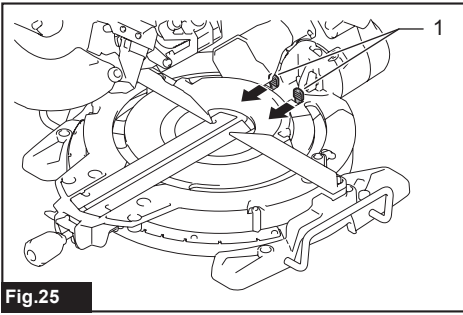


Fig.25

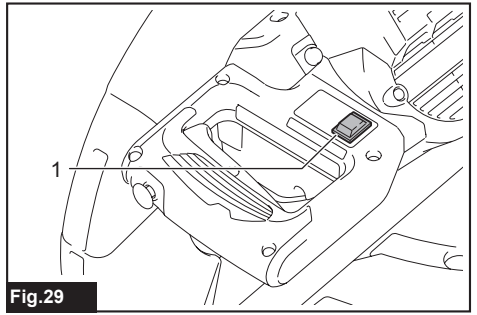


Fig.29

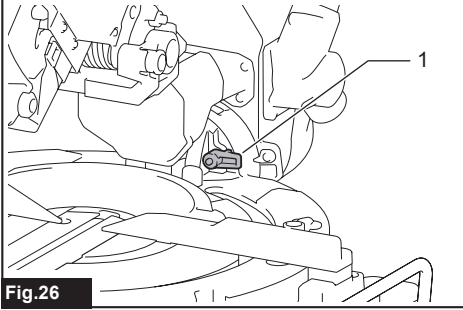


Fig.26

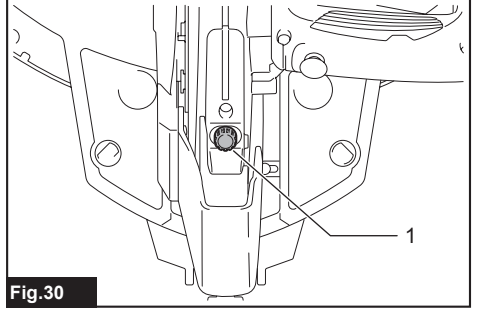


Fig.30

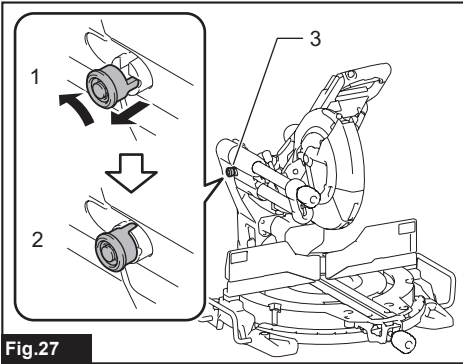


Fig.27

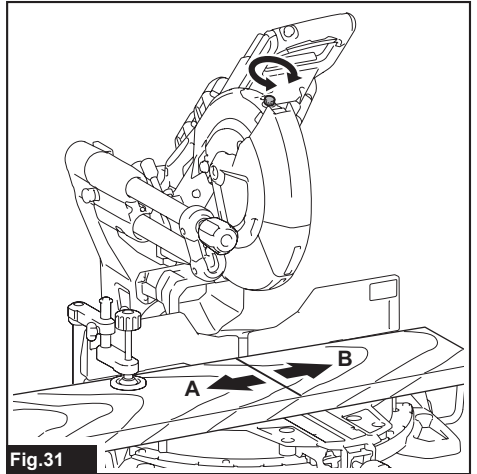


Fig.31

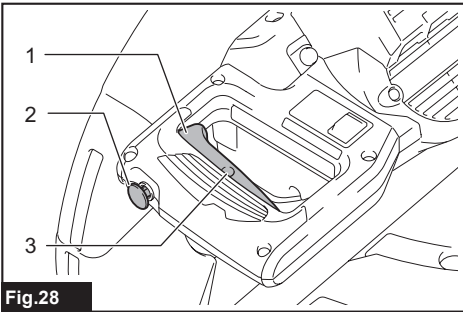


Fig.28

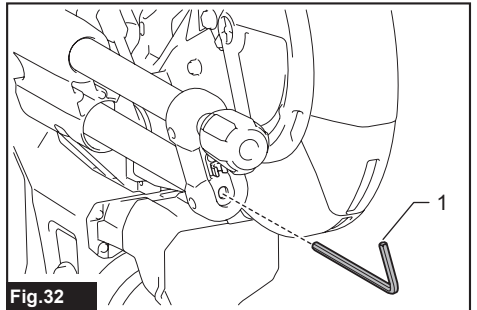
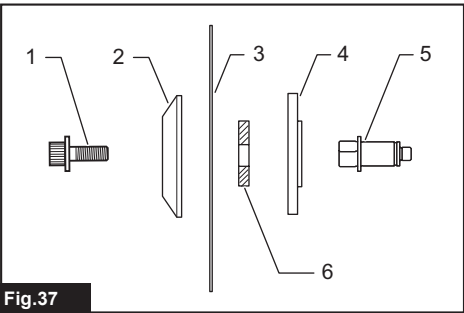
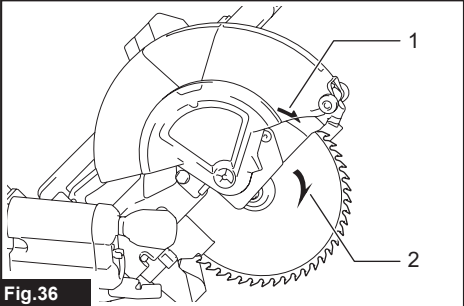
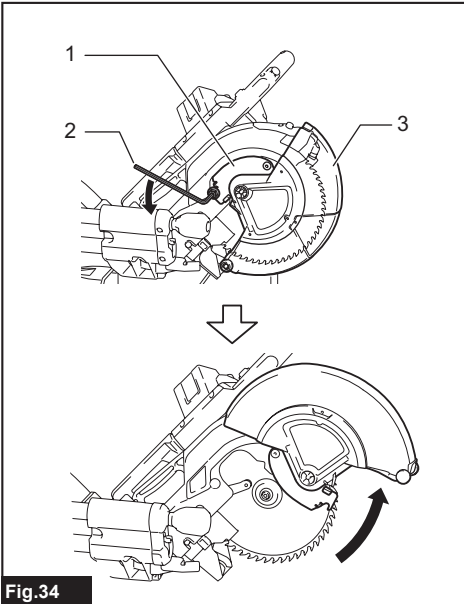
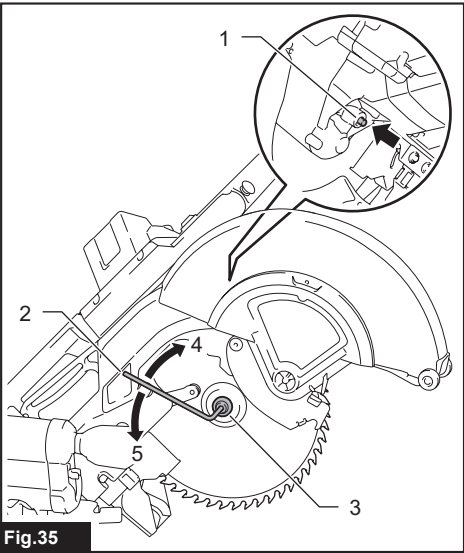
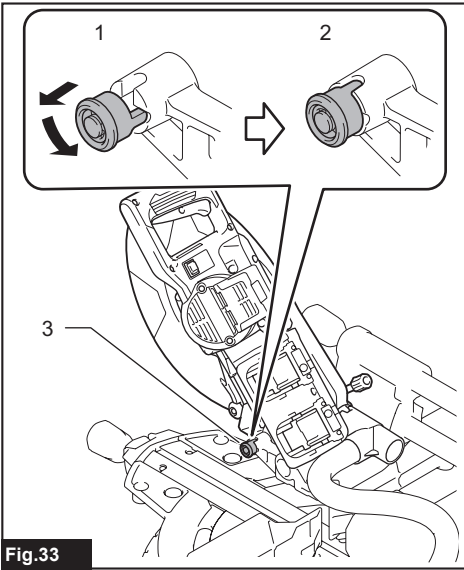


Fig.32



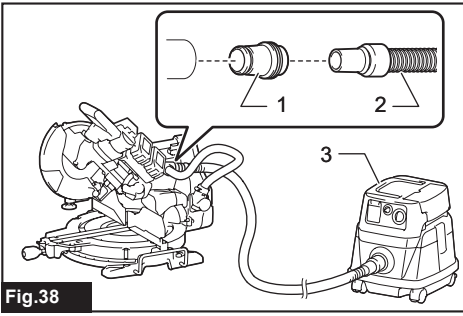


Fig.38

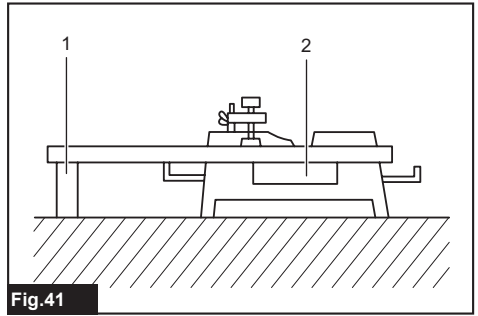


Fig.41

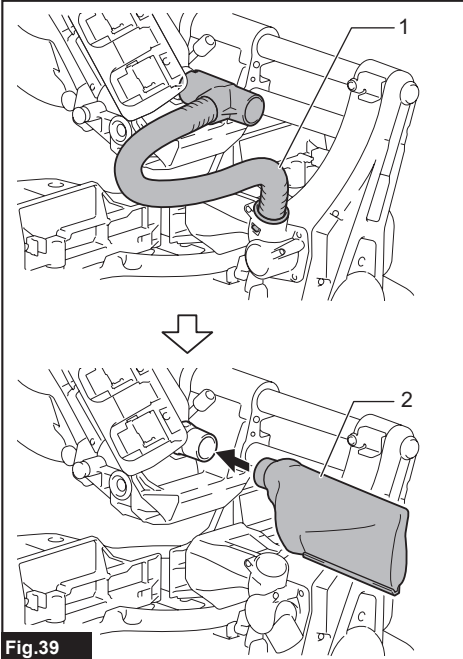


Fig.39

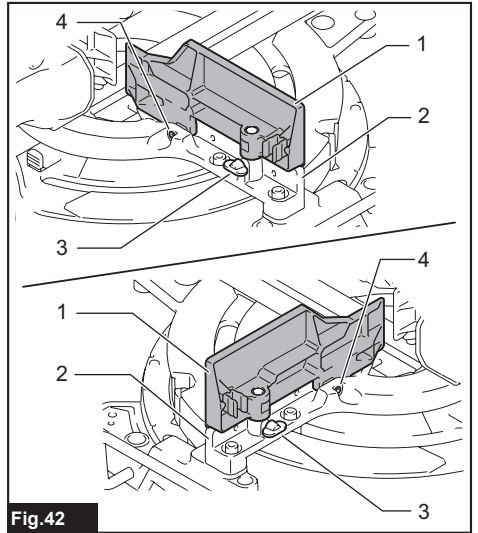


Fig.42

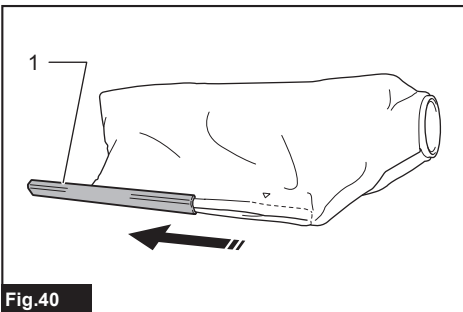


Fig.40

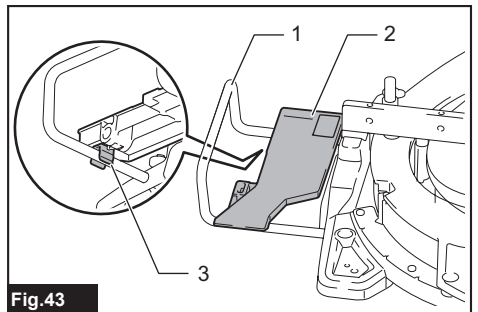


Fig.43

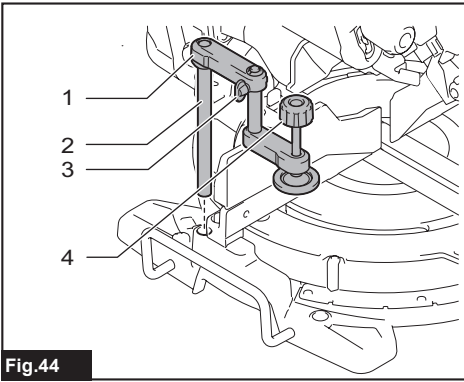


Fig.44

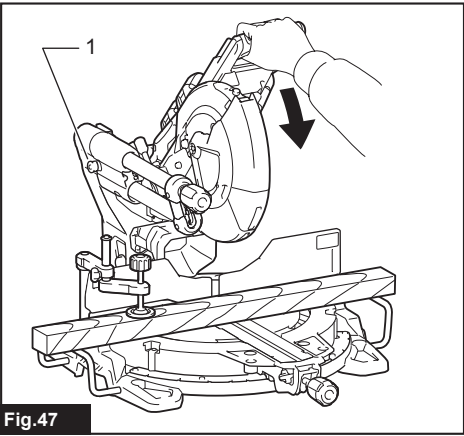


Fig.47

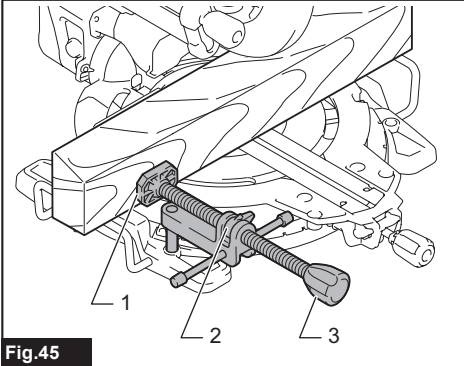


Fig.45

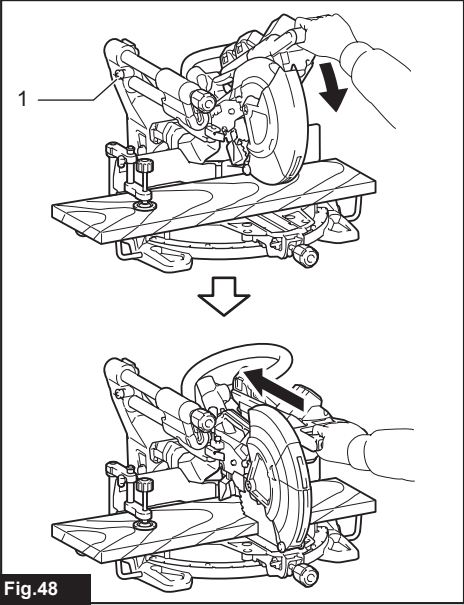


Fig.48

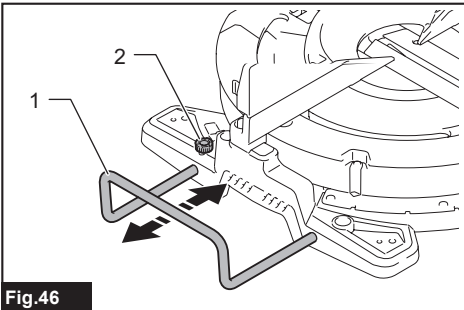


Fig.46

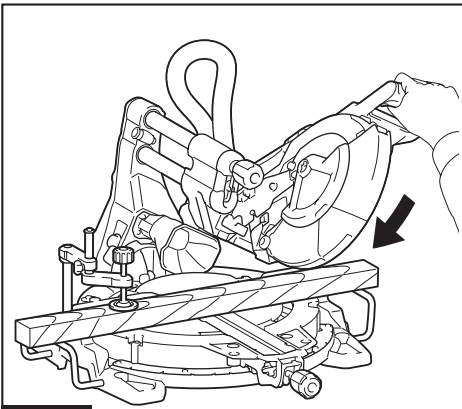


Fig.49

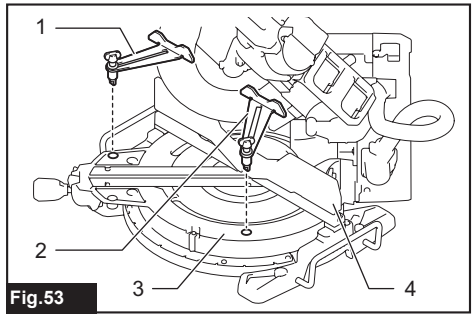


Fig.53

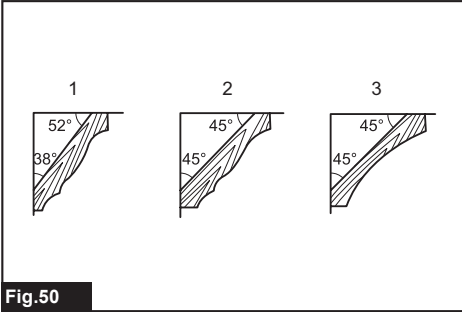


Fig.50

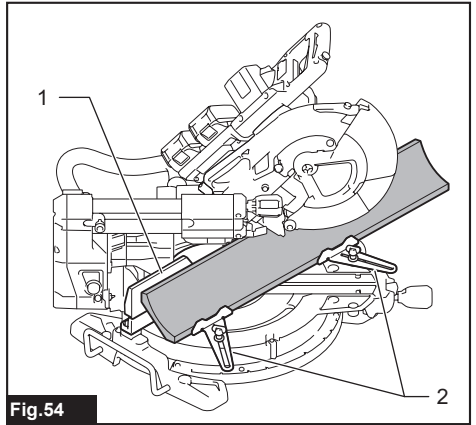


Fig.54

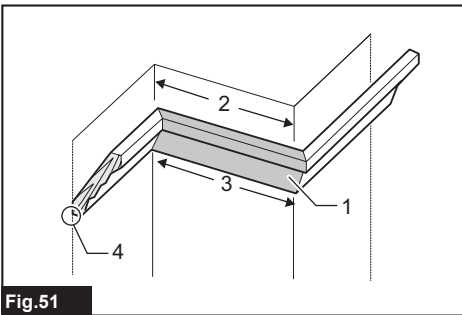


Fig.51

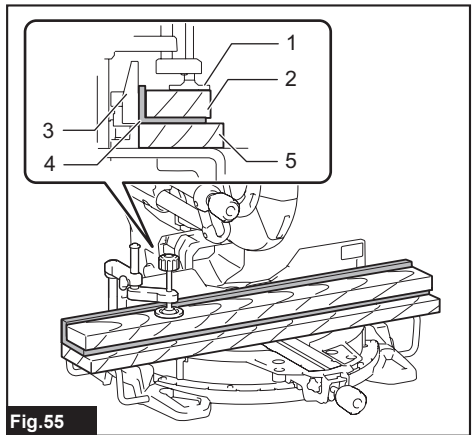


Fig.55

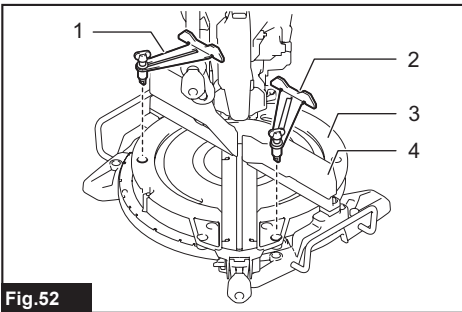
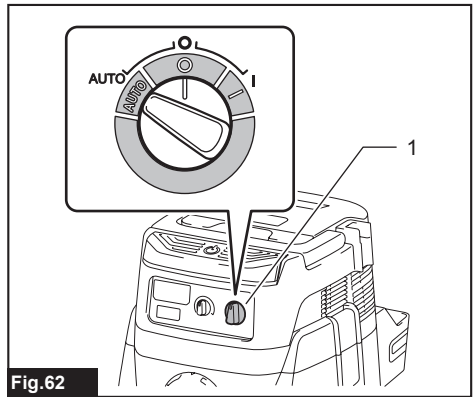
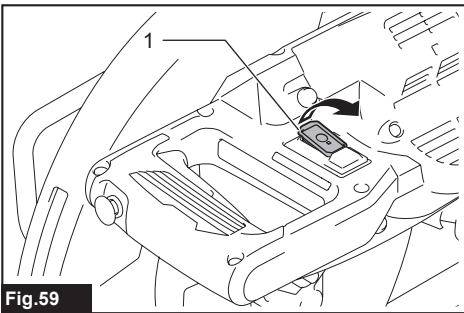
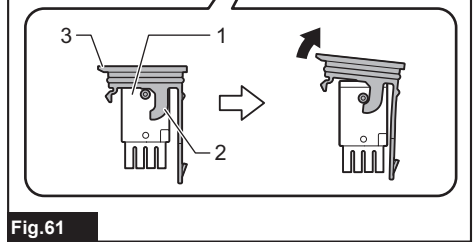
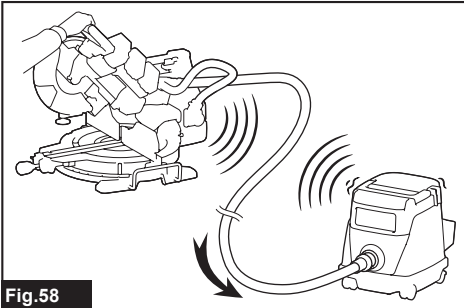
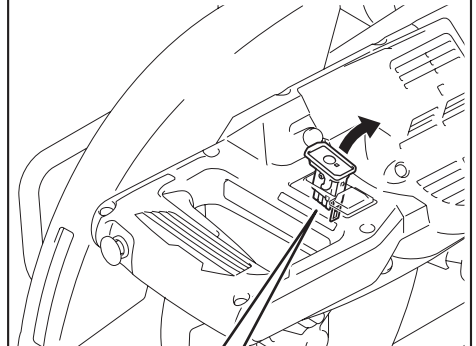
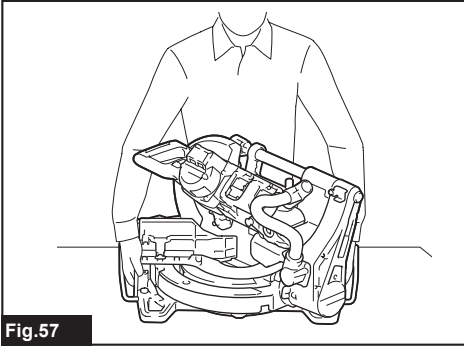
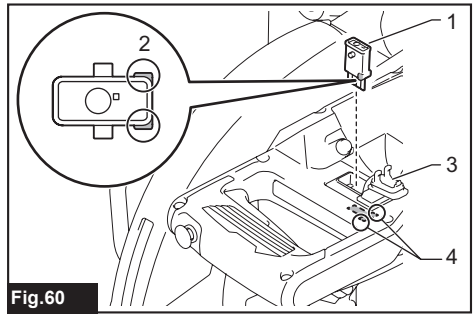
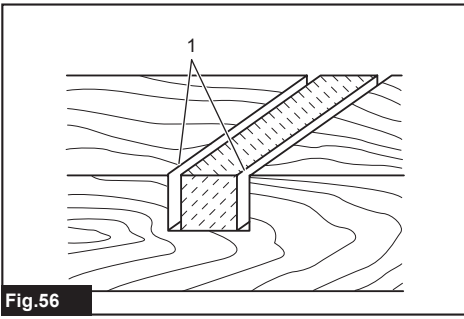


Fig.52



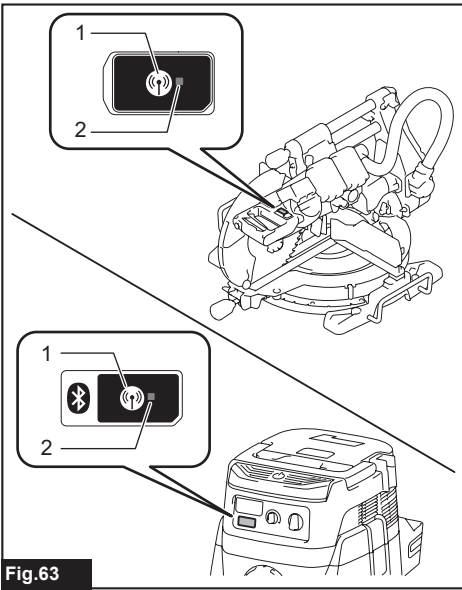


Fig.63

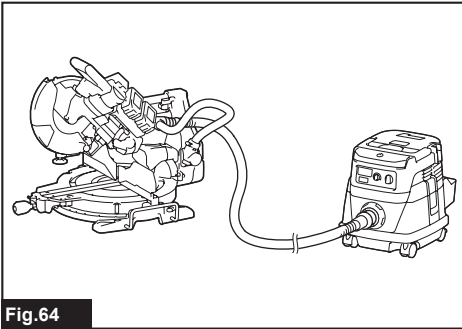


Fig.64

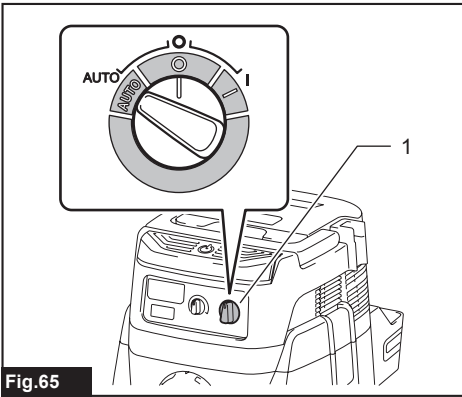


Fig.65

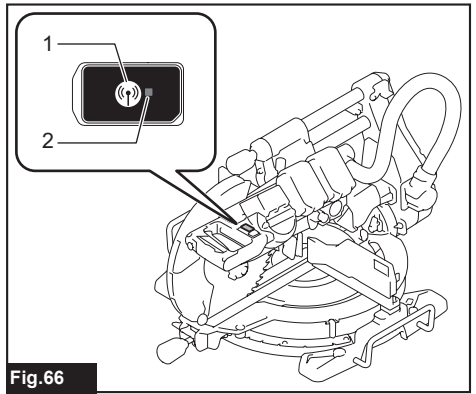


Fig.66

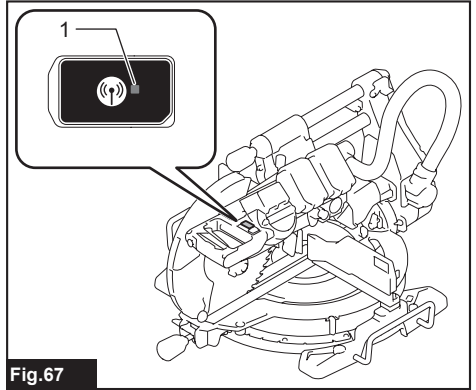


Fig.67

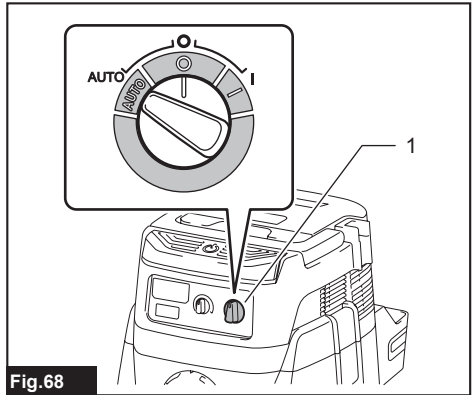


Fig.68

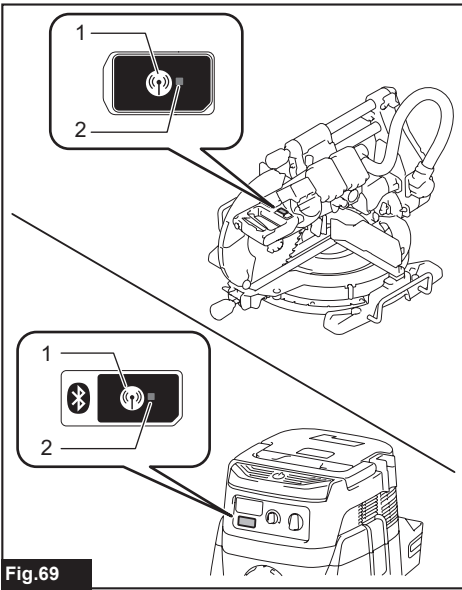


Fig.69

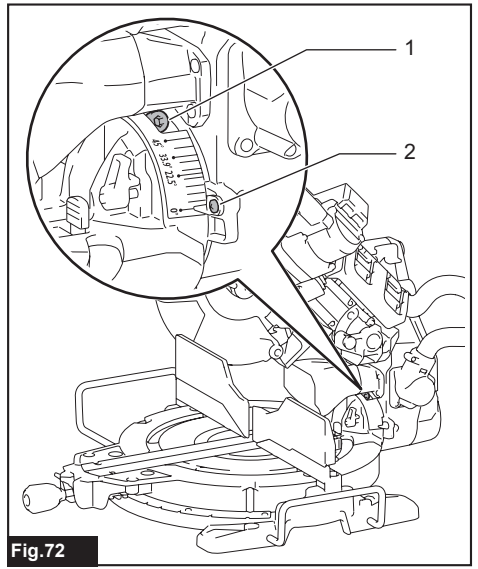


Fig.72

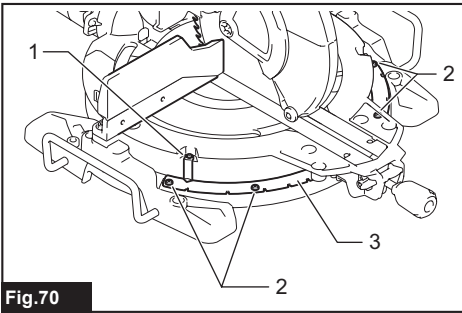


Fig.70

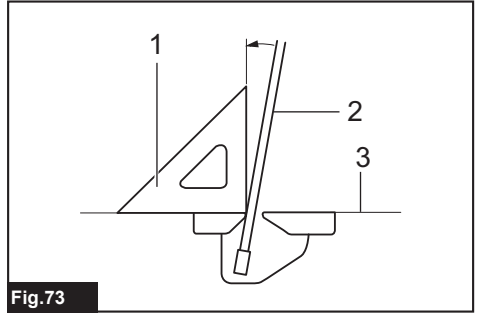


Fig.73

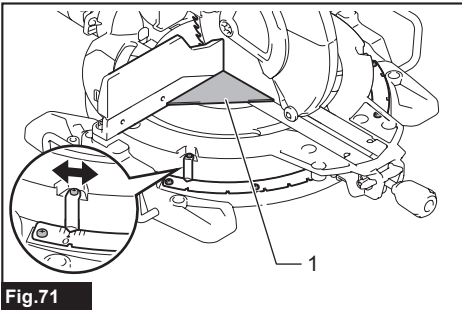


Fig.71

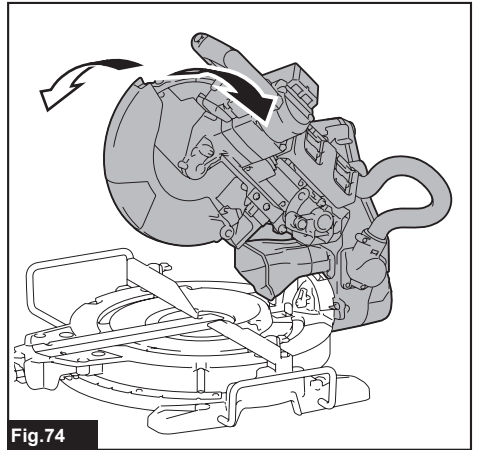


Fig.74

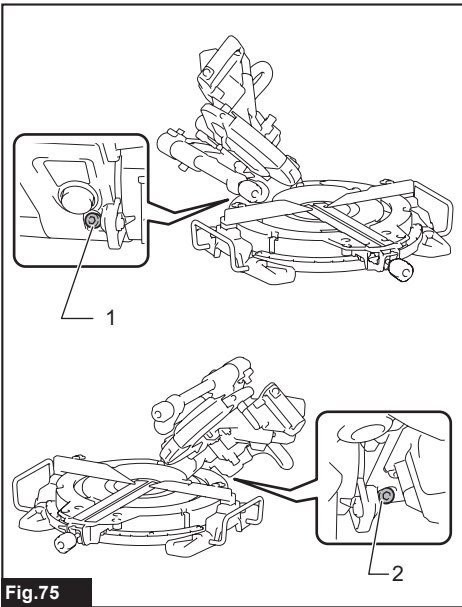


Fig.75

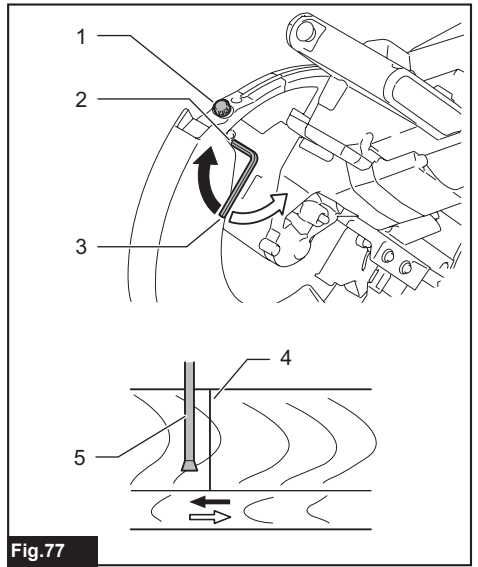


Fig.77

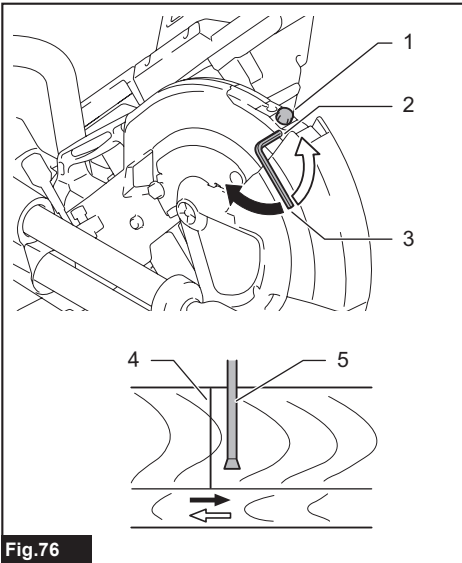


Fig.76

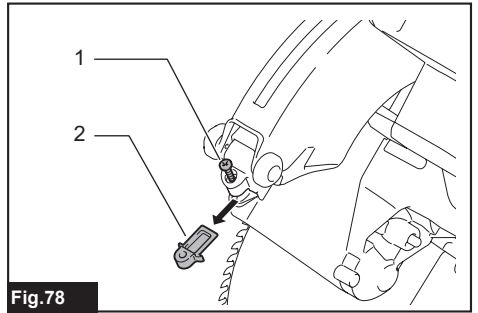


Fig.78

SPECIFICATIONS

| Model: | | DLS110 | DLS111 | DLS112 |
|--------------------------------------|-----------------------------|--|---|--------|
| Blade diameter | European countries | 260 mm | | |
| | Countries other than Europe | 255 mm - 260 mm | | |
| Hole diameter | European countries | 30 mm | | |
| | Countries other than Europe | 25.4 mm | | |
| Max. kerf thickness of the saw blade | | 3.2 mm | | |
| Max. miter angle | | Right 60°, Left 60° | | |
| Max. bevel angle | | Right 48°, Left 48° | | |
| No load speed (RPM) | | 4,400 min ⁻¹ | | |
| Laser type | | - | Red Laser 650 nm, Maximum output < 1.6mW (Laser Class 2M) | |
| Rated voltage | | D.C. 36 V | | |
| Battery cartridge | | BL1815N, BL1820, BL1820B, BL1830, BL1830B, BL1840, BL1840B, BL1850, BL1850B, BL1860B | | |
| Charger | | DC18RC, DC18RD, DC18SD, DC18SE, DC18SF | | |
| Dimensions (L x W x H) | | 805 mm x 644 mm x 660 mm | | |
| Net weight | | 26.6 - 27.3 kg | | |

Cutting capacities (H x W)

| Miter angle | Bevel angle | | |
|----------------------|----------------------------------|----------------------------------|----------------------------------|
| | 45° (left) | 0° | 45° (right) |
| 0° | 42 mm x 310 mm 58 mm x 279 mm | 68 mm x 310 mm 91 mm x 279 mm | 29 mm x 310 mm 43 mm x 279 mm |
| 45° (right and left) | 42 mm x 218 mm 58 mm x 197 mm | 68 mm x 218 mm 91 mm x 197 mm | 29 mm x 218 mm 43 mm x 197 mm |
| 60° (right and left) | - | 68 mm x 155 mm 91 mm x 139 mm | - |

Cutting capacities for special cuttings

| Type of cutting | Cutting capacity |
|---|------------------|
| Crown molding 45° type (with crown molding stopper used) | 168 mm |
| Base board (with horizontal vise used) | 133 mm |

- Due to our continuing program of research and development, the specifications herein are subject to change without notice.
- Specifications and battery cartridge may differ from country to country.
- The weight may differ depending on the attachment(s), including the battery cartridge. The lightest and heaviest combination, according to EPTA-Procedure 01/2014, are shown in the table.

Symbols

The following show the symbols used for the equipment. Be sure that you understand their meaning before use.



Read instruction manual.



To avoid injury from flying debris, keep holding the saw head down, after making cuts, until the blade has come to a complete stop.



When performing slide cut, first pull carriage fully and press down handle, then push carriage toward the guide fence.



Do not place hand or fingers close to the blade.



Never look into the laser beam. Direct laser beam may injure your eyes.



Only for EU countries
Do not dispose of electric equipment together with household waste material! In observance of the European Directive, on Waste Electric and Electronic Equipment and its implementation in accordance with national law, electric equipment that have reached the end of their life must be collected separately and returned to an environmentally compatible recycling facility.

Intended use

The tool is intended for accurate straight and miter cutting in wood. With appropriate saw blades, aluminum can also be sawed.

Noise

The typical A-weighted noise level determined according to EN62841:

Model DLS110

Sound pressure level (L_{pA}): 92 dB(A)
Sound power level (L_{WA}): 102 dB (A)
Uncertainty (K): 3 dB(A)

Model DLS111

Sound pressure level (L_{pA}): 92 dB(A)
Sound power level (L_{WA}): 102 dB (A)
Uncertainty (K): 3 dB(A)

Model DLS112

Sound pressure level (L_{pA}): 92 dB(A)
Sound power level (L_{WA}): 102 dB (A)
Uncertainty (K): 3 dB(A)

⚠ WARNING: Wear ear protection.

Vibration

The vibration total value (tri-axial vector sum) determined according to EN62841:

Model DLS110

Vibration emission (a_h): 2.5 m/s² or less
Uncertainty (K): 1.5 m/s²

Model DLS111

Vibration emission (a_h): 2.5 m/s² or less
Uncertainty (K): 1.5 m/s²

Model DLS112

Vibration emission (a_h): 2.5 m/s² or less
Uncertainty (K): 1.5 m/s²

NOTE: The declared vibration emission value has been measured in accordance with the standard test method and may be used for comparing one tool with another.

NOTE: The declared vibration emission value may also be used in a preliminary assessment of exposure.

⚠ WARNING: The vibration emission during actual use of the power tool can differ from the declared emission value depending on the ways in which the tool is used.

⚠ WARNING: Be sure to identify safety measures to protect the operator that are based on an estimation of exposure in the actual conditions of use (taking account of all parts of the operating cycle such as the times when the tool is switched off and when it is running idle in addition to the trigger time).

EC Declaration of Conformity

For European countries only

The EC declaration of conformity is included as Annex A to this instruction manual.

SAFETY WARNINGS

General power tool safety warnings

⚠ WARNING: Read all safety warnings, instructions, illustrations and specifications provided with this power tool. Failure to follow all instructions listed below may result in electric shock, fire and/or serious injury.

Save all warnings and instructions for future reference.

The term "power tool" in the warnings refers to your mains-operated (corded) power tool or battery-operated (cordless) power tool.

Safety instructions for mitre saws

- Mitre saws are intended to cut wood or wood-like products, they cannot be used with abrasive cut-off wheels for cutting ferrous material such as bars, rods, studs, etc.** Abrasive dust causes moving parts such as the lower guard to jam. Sparks from abrasive cutting will burn the lower guard, the kerf insert and other plastic parts.
- Use clamps to support the workpiece whenever possible. If supporting the workpiece by hand, you must always keep your hand at least 100 mm from either side of the saw blade. Do not use this saw to cut pieces that are too small to be securely clamped or held by hand.** If your hand is placed too close to the saw blade, there is an increased risk of injury from blade contact.
- The workpiece must be stationary and clamped or held against both the fence and the table. Do not feed the workpiece into the blade or cut "freehand" in any way.** Unrestrained or moving workpieces could be thrown at high speeds, causing injury.
- Push the saw through the workpiece. Do not pull the saw through the workpiece. To make a cut, raise the saw head and pull it out over the workpiece without cutting, start the motor, press the saw head down and push the saw through the workpiece.** Cutting on the pull stroke is likely to cause the saw blade to climb on top of the workpiece and violently throw the blade assembly towards the operator.
- Never cross your hand over the intended line of cutting either in front or behind the saw blade.** Supporting the workpiece "cross handed" i.e. holding the workpiece to the right of the saw blade with your left hand or vice versa is very dangerous.

► Fig.1

6. **Do not reach behind the fence with either hand closer than 100 mm from either side of the saw blade, to remove wood scraps, or for any other reason while the blade is spinning.** The proximity of the spinning saw blade to your hand may not be obvious and you may be seriously injured.
 7. **Inspect your workpiece before cutting. If the workpiece is bowed or warped, clamp it with the outside bowed face toward the fence. Always make certain that there is no gap between the workpiece, fence and table along the line of the cut.** Bent or warped workpieces can twist or shift and may cause binding on the spinning saw blade while cutting. There should be no nails or foreign objects in the workpiece.
 8. **Do not use the saw until the table is clear of all tools, wood scraps, etc., except for the workpiece.** Small debris or loose pieces of wood or other objects that contact the revolving blade can be thrown with high speed.
 9. **Cut only one workpiece at a time.** Stacked multiple workpieces cannot be adequately clamped or braced and may bind on the blade or shift during cutting.
 10. **Ensure the mitre saw is mounted or placed on a level, firm work surface before use.** A level and firm work surface reduces the risk of the mitre saw becoming unstable.
 11. **Plan your work. Every time you change the bevel or mitre angle setting, make sure the adjustable fence is set correctly to support the workpiece and will not interfere with the blade or the guarding system.** Without turning the tool "ON" and with no workpiece on the table, move the saw blade through a complete simulated cut to assure there will be no interference or danger of cutting the fence.
 12. **Provide adequate support such as table extensions, saw horses, etc. for a workpiece that is wider or longer than the table top.** Workpieces longer or wider than the mitre saw table can tip if not securely supported. If the cut-off piece or workpiece tips, it can lift the lower guard or be thrown by the spinning blade.
 13. **Do not use another person as a substitute for a table extension or as additional support.** Unstable support for the workpiece can cause the blade to bind or the workpiece to shift during the cutting operation pulling you and the helper into the spinning blade.
 14. **The cut-off piece must not be jammed or pressed by any means against the spinning saw blade.** If confined, i.e. using length stops, the cut-off piece could get wedged against the blade and thrown violently.
 15. **Always use a clamp or a fixture designed to properly support round material such as rods or tubing.** Rods have a tendency to roll while being cut, causing the blade to "bite" and pull the work with your hand into the blade.
 16. **Let the blade reach full speed before contacting the workpiece.** This will reduce the risk of the workpiece being thrown.
 17. **If the workpiece or blade becomes jammed, turn the mitre saw off. Wait for all moving parts to stop and disconnect the plug from the power source and/or remove the battery pack. Then work to free the jammed material.** Continued sawing with a jammed workpiece could cause loss of control or damage to the mitre saw.
 18. **After finishing the cut, release the switch, hold the saw head down and wait for the blade to stop before removing the cut-off piece.** Reaching with your hand near the coasting blade is dangerous.
 19. **Hold the handle firmly when making an incomplete cut or when releasing the switch before the saw head is completely in the down position.** The braking action of the saw may cause the saw head to be suddenly pulled downward, causing a risk of injury.
 20. **Only use the saw blade with the diameter that is marked on the tool or specified in the manual.** Use of an incorrectly sized blade may affect the proper guarding of the blade or guard operation which could result in serious personal injury.
 21. **Only use the saw blades that are marked with a speed equal or higher than the speed marked on the tool.**
 22. **Do not use the saw to cut other than wood, aluminum or similar materials.**
 23. **(For European countries only) Always use the blade which conforms to EN847-1.**
- Additional instructions**
1. **Make workshop kid proof with padlocks.**
 2. **Never stand on the tool.** Serious injury could occur if the tool is tipped or if the cutting tool is unintentionally contacted.
 3. **Never leave the tool running unattended. Turn the power off. Do not leave tool until it comes to a complete stop.**
 4. **Do not operate saw without guards in place. Check blade guard for proper closing before each use. Do not operate saw if blade guard does not move freely and close instantly. Never clamp or tie the blade guard into the open position.**
 5. **Keep hands out of path of saw blade. Avoid contact with any coasting blade. It can still cause severe injury.**
 6. **To reduce the risk of injury, return carriage to the full rear position after each crosscut operation.**
 7. **Always secure all moving portions before carrying the tool.**
 8. **Stopper pin which locks the cutter head down is for carrying and storage purposes only and not for any cutting operations.**
 9. **Check the blade carefully for cracks or damage before operation. Replace cracked or damaged blade immediately. Gum and wood pitch hardened on blades slows saw and increases potential for kickback. Keep blade clean by first removing it from tool, then cleaning it with gum and pitch remover, hot water or kerosene. Never use gasoline to clean blade.**

10. While making a slide cut, KICKBACK can occur. KICKBACK occurs when the blade binds in the workpiece during a cutting operation and the saw blade is driven rapidly towards the operator. Loss of control and serious personal injury can result. If blade begins to bind during a cutting operation, do not continue to cut and release switch immediately.
11. Use only flanges specified for this tool.
12. Be careful not to damage the arbor, flanges (especially the installing surface) or bolt. Damage to these parts could result in blade breakage.
13. Make sure that the turn base is properly secured so it will not move during operation. Use the holes in the base to fasten the saw to a stable work platform or bench. NEVER use tool where operator positioning would be awkward.
14. Make sure the shaft lock is released before the switch is turned on.
15. Be sure that the blade does not contact the turn base in the lowest position.
16. Hold the handle firmly. Be aware that the saw moves up or down slightly during start-up and stopping.
17. Make sure the blade is not contacting the workpiece before the switch is turned on.
18. Before using the tool on an actual workpiece, let it run for a while. Watch for vibration or wobbling that could indicate poor installation or a poorly balanced blade.
19. Stop operation immediately if you notice anything abnormal.
20. Do not attempt to lock the trigger in the "ON" position.
21. Always use accessories recommended in this manual. Use of improper accessories such as abrasive wheels may cause an injury.
22. Some material contains chemicals which may be toxic. Take caution to prevent dust inhalation and skin contact. Follow material supplier safety data.

Additional safety rules for the laser

1. **LASER RADIATION, DO NOT STARE INTO THE BEAM OR VIEW DIRECTLY WITH OPTICAL INSTRUMENTS, CLASS 2M LASER PRODUCT.**

SAVE THESE INSTRUCTIONS.

⚠WARNING: DO NOT let comfort or familiarity with product (gained from repeated use) replace strict adherence to safety rules for the subject product. MISUSE or failure to follow the safety rules stated in this instruction manual may cause serious personal injury.

Important safety instructions for battery cartridge

1. Before using battery cartridge, read all instructions and cautionary markings on (1) battery charger, (2) battery, and (3) product using battery.
2. Do not disassemble battery cartridge.
3. If operating time has become excessively shorter, stop operating immediately. It may result in a risk of overheating, possible burns and even an explosion.
4. If electrolyte gets into your eyes, rinse them out with clear water and seek medical attention right away. It may result in loss of your eyesight.
5. Do not short the battery cartridge:
 - (1) Do not touch the terminals with any conductive material.
 - (2) Avoid storing battery cartridge in a container with other metal objects such as nails, coins, etc.
 - (3) Do not expose battery cartridge to water or rain.

A battery short can cause a large current flow, overheating, possible burns and even a breakdown.
6. Do not store the tool and battery cartridge in locations where the temperature may reach or exceed 50 °C (122 °F).
7. Do not incinerate the battery cartridge even if it is severely damaged or is completely worn out. The battery cartridge can explode in a fire.
8. Be careful not to drop or strike battery.
9. Do not use a damaged battery.
10. The contained lithium-ion batteries are subject to the Dangerous Goods Legislation requirements.

For commercial transports e.g. by third parties, forwarding agents, special requirement on packaging and labeling must be observed. For preparation of the item being shipped, consulting an expert for hazardous material is required. Please also observe possibly more detailed national regulations.

Tape or mask off open contacts and pack up the battery in such a manner that it cannot move around in the packaging.

11. Follow your local regulations relating to disposal of battery.
12. Use the batteries only with the products specified by Makita. Installing the batteries to non-compliant products may result in a fire, excessive heat, explosion, or leak of electrolyte.

SAVE THESE INSTRUCTIONS.

⚠CAUTION: Only use genuine Makita batteries. Use of non-genuine Makita batteries, or batteries that have been altered, may result in the battery bursting causing fires, personal injury and damage. It will also void the Makita warranty for the Makita tool and charger.

Tips for maintaining maximum battery life

1. Charge the battery cartridge before completely discharged. Always stop tool operation and charge the battery cartridge when you notice less tool power.
2. Never recharge a fully charged battery cartridge. Overcharging shortens the battery service life.
3. Charge the battery cartridge with room temperature at 10 °C - 40 °C (50 °F - 104 °F). Let a hot battery cartridge cool down before charging it.
4. Charge the battery cartridge if you do not use it for a long period (more than six months).

Important safety instructions for wireless unit

1. Do not disassemble or tamper with the wireless unit.
2. Keep the wireless unit away from young children. If accidentally swallowed, seek medical attention immediately.
3. Use the wireless unit only with Makita tools.
4. Do not expose the wireless unit to rain or wet conditions.
5. Do not use the wireless unit in places where the temperature exceeds 50°C (122°F).
6. Do not operate the wireless unit in places where medical instruments, such as heart pace makers are near by.
7. Do not operate the wireless unit in places where automated devices are near by. If operated, automated devices may develop malfunction or error.
8. The wireless unit can produce electromagnetic fields (EMF) but they are not harmful to the user.
9. The wireless unit is an accurate instrument. Be careful not to drop or strike the wireless unit.
10. Avoid touching the terminal of the wireless unit with bare hands or metallic materials.
11. Always remove the battery on the tool when installing the wireless unit.

12. When opening the lid of the slot, avoid the place where dust and water may come into the slot. Always keep the inlet of the slot clean.
13. Always insert the wireless unit in the correct direction.
14. Do not press the wireless activation button on the wireless unit too hard and/or press the button with an object with a sharp edge.
15. Always close the lid of the slot when operating.
16. Do not remove the wireless unit from the slot while the power is being supplied to the tool. Doing so may cause a malfunction of the wireless unit.
17. Do not remove the sticker on the wireless unit.
18. Do not put any sticker on the wireless unit.
19. Do not leave the wireless unit in a place where static electricity or electrical noise could be generated.
20. Do not leave the wireless unit in a place subject to high heat, such as a car sitting in the sun.
21. Do not leave the wireless unit in a dusty or powdery place or in a place corrosive gas could be generated.
22. Sudden change of the temperature may bedew the wireless unit. Do not use the wireless unit until the dew is completely dried.
23. When cleaning the wireless unit, gently wipe with a dry soft cloth. Do not use benzine, thinner, conductive grease or the like.
24. When storing the wireless unit, keep it in the supplied case or a static-free container.
25. Do not insert any devices other than Makita wireless unit into the slot on the tool.
26. Do not use the tool with the lid of the slot damaged. Water, dust, and dirt come into the slot may cause malfunction.
27. Do not pull and/or twist the lid of the slot more than necessary. Restore the lid if it comes off from the tool.
28. Replace the lid of the slot if it is lost or damaged.

SAVE THESE INSTRUCTIONS.

PARTS DESCRIPTION

► Fig.2

| | | | | | | | |
|----|---|----|------------------------------------|----|----------------------------------|----|---|
| 1 | Slide pole | 2 | Stopper pin (for carriage sliding) | 3 | Vertical vise | 4 | Releasing button (for right side bevel angle) |
| 5 | Holder | 6 | Turn base | 7 | Pointer (for miter angle) | 8 | Miter angle scale |
| 9 | Kerf board | 10 | Blade case | 11 | Adjusting screw (for laser line) | 12 | Range adjustment screw (for laser line) |
| 13 | Blade guard | 14 | Knob (for bevel angle) | 15 | Hex wrench | 16 | Adjusting screw (for lower limit position) |
| 17 | Adjusting bolt (for maximum cutting capacity) | 18 | Stopper arm | 19 | Battery cartridge | 20 | Lock lever (for turn base) |
| 21 | Releasing lever (for turn base) | 22 | Grip (for turn base) | - | - | - | - |

► Fig.3

| | | | | | | | |
|----|--|----|---------------------------------------|----|-------------------------------|----|--|
| 1 | Switch trigger | 2 | Lock-off button | 3 | Hole for padlock | 4 | Lid (for wireless unit) (For DLS111 only) |
| 5 | Switch (for laser line) (For DLS111, DLS112 only) | 6 | Battery indicator | 7 | Mode indicator | 8 | Check button |
| 9 | Wireless activation button | 10 | Wireless activation lamp | 11 | Hose (for dust extraction) | 12 | Stopper pin (for carriage elevation) |
| 13 | Guide fence (lower fence) | 14 | Guide fence (upper fence) | 15 | Dust bag | 16 | 0° adjusting bolt (for bevel angle) |
| 17 | Bevel angle scale | 18 | Releasing lever (for 48° bevel angle) | 19 | Latch lever (for bevel angle) | 20 | Pointer (for bevel angle) |
| 21 | 45° adjusting bolt (for bevel angle) | - | - | - | - | - | - |

INSTALLATION

Installing the grip

Screw the threaded shaft of the grip into the turn base.

► Fig.4: 1. Grip 2. Turn base

Installing the dust extraction hose

Connect the dust extraction hose to the tool as illustrated.

Make sure that the elbow and the sleeve fit properly to the ports of the tool.

► Fig.5: 1. Dust extraction hose 2. Elbow 3. Sleeve 4. Port

Bench mounting

When the tool is shipped, the handle is locked in the lowered position by the stopper pin. While lowering the handle slightly, pull the stopper pin and rotate it 90°.

► Fig.6: 1. Locked position 2. Unlocked position 3. Stopper pin

This tool should be bolted with four bolts to a level and stable surface using the bolt holes provided in the tool's base. This will help prevent tipping and possible injury.

► Fig.7: 1. Bolt

⚠ WARNING: Ensure that the tool will not move on the supporting surface. Movement of the miter saw on the supporting surface while cutting may result in loss of control and serious personal injury.

FUNCTIONAL DESCRIPTION

⚠ WARNING: Always be sure that the tool is switched off and the battery cartridge is removed before adjusting or checking the functions on the tool. Failure to switch off and remove the battery cartridge may result in serious personal injury from accidental start-up.

Installing or removing battery cartridge

⚠ CAUTION: Always switch off the tool before installing or removing of the battery cartridge.

⚠ CAUTION: Hold the tool and the battery cartridge firmly when installing or removing battery cartridge. Failure to hold the tool and the battery cartridge firmly may cause them to slip off your hands and result in damage to the tool and battery cartridge and a personal injury.

► Fig.8: 1. Red indicator 2. Button 3. Battery cartridge

To remove the battery cartridge, slide it from the tool while sliding the button on the front of the cartridge.

To install the battery cartridge, align the tongue on the battery cartridge with the groove in the housing and slip it into place. Insert it all the way until it locks in place with a little click. If you can see the red indicator on the upper side of the button, it is not locked completely.

⚠ CAUTION: Always install the battery cartridge fully until the red indicator cannot be seen. If not, it may accidentally fall out of the tool, causing injury to you or someone around you.

⚠ CAUTION: Do not install the battery cartridge forcibly. If the cartridge does not slide in easily, it is not being inserted correctly.

NOTE: The tool does not work with only one battery cartridge.


Tool / battery protection system

The tool is equipped with a tool/battery protection system. This system automatically cuts off power to the motor to extend tool and battery life. The tool will automatically stop during operation if the tool or battery is placed under one of the following conditions:

Overload protection

When the tool is operated in a manner that causes it to draw an abnormally high current, the tool automatically stops without any indication. In this situation, turn the tool off and stop the application that caused the tool to become overloaded. Then turn the tool on to restart.

Overheat protection

| ■ On | ▣ Blinking |
|---|------------|
|  | |

When the tool is overheated, the tool stops automatically, and the battery indicator blinks about 60 seconds. In this situation, let the tool cool down before turning the tool on again.



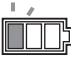




Overdischarge protection

When the battery capacity becomes low, the tool stops automatically. If the product does not operate even when the switches are operated, remove the batteries from the tool and charge the batteries.

Indicating the remaining battery capacity

► Fig.9: 1. Battery indicator 2. Check button

Press the check button to indicate the remaining battery capacities. The battery indicators correspond to each battery.








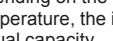

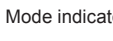
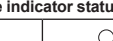


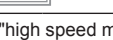
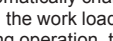


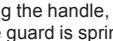
| Battery indicator status | | | Remaining battery capacity |
|---|---|---|----------------------------|
| ■ On | □ Off | ▣ Blinking | |
|  |  |  | 50% to 100% |
|  |  |  | 20% to 50% |
|  | | | 0% to 20% |
| | | | Charge the battery |

Indicating the remaining battery capacity

Only for battery cartridges with the indicator

► Fig.10: 1. Indicator lamps 2. Check button



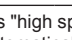
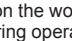
Press the check button on the battery cartridge to indicate the remaining battery capacity. The indicator lamps light up for a few seconds.

| Indicator lamps | | | Remaining capacity |
|---|---|---|-------------------------------------|
| ■ Lighted | □ Off | ▣ Blinking | |
|  |  |  | 75% to 100% |
|  |  |  | 50% to 75% |
|  |  |  | 25% to 50% |
|  |  |  | 0% to 25% |
|  |  |  | Charge the battery. |
|  |  |  | The battery may have malfunctioned. |

NOTE: Depending on the conditions of use and the ambient temperature, the indication may differ slightly from the actual capacity.

Automatic speed change function

► Fig.11: 1. Mode indicator

| Mode indicator status | | Operation mode |
|---|---|------------------|
| ● On | ○ Off | |
|  |  | High speed mode |
|  |  | High torque mode |

This tool has "high speed mode" and "high torque mode". It automatically changes operation mode depending on the work load. When mode indicator lights up during operation, the tool is in high torque mode.

Blade guard

► Fig.12: 1. Blade guard

When lowering the handle, the blade guard rises automatically. The guard is spring loaded so it returns to its original position when the cut is completed and the handle is raised.

⚠WARNING: Never defeat or remove the blade guard or the spring which attaches to the guard. An exposed blade as a result of defeated guarding may result in serious personal injury during operation.

In the interest of your personal safety, always maintain the blade guard in good condition. Any irregular operation of the blade guard should be corrected immediately. Check to assure spring loaded return action of guard.

⚠ WARNING: Never use the tool if the blade guard or spring are damaged, faulty or removed. Operation of the tool with a damaged, faulty or removed guard may result in serious personal injury.

If the see-through blade guard becomes dirty, or sawdust adheres to it in such a way that the blade and/or workpiece is no longer easily visible, remove the batteries and clean the guard carefully with a damp cloth. Do not use solvents or any petroleum-based cleaners on the plastic guard because this may cause damage to the guard.

If the blade guard is especially dirty and vision through the guard is impaired, remove the batteries and use the supplied wrench to loosen the hex bolt holding the center cover. Loosen the hex bolt by turning it counterclockwise and raise the blade guard and center cover. With the blade guard so positioned, cleaning can be more completely and efficiently accomplished. When cleaning is complete, reverse procedure above and secure bolt. Do not remove spring holding blade guard. If guard becomes discolored through age or UV light exposure, contact a Makita service center for a new guard. **DO NOT DEFEAT OR REMOVE GUARD.**

► **Fig.13:** 1. Center cover 2. Hex wrench 3. Blade guard

Kerf boards

This tool is provided with the kerf boards in the turn base to minimize tearing on the exit side of a cut. The kerf boards are factory adjusted so that the saw blade does not contact the kerf boards. Before use, adjust the kerf boards as follows:

► **Fig.14:** 1. Kerf board

► **Fig.15:** 1. Left bevel cut 2. Straight cut 3. Right bevel cut 4. Saw blade 5. Blade teeth 6. Kerf board

First, remove the batteries. Loosen all the screws (2 each on left and right) securing the kerf boards until the kerf boards can still be easily moved by hand. Lower the handle fully, then pull and turn the stopper pin to lock the handle in the lowered position. Release the stopper pin on the sliding pole and pull the carriage toward you fully. Adjust the kerf boards so that the kerf boards just contact the sides of the blade teeth. Tighten the front screws (do not tighten firmly). Push the carriage toward the guide fence fully and adjust the kerf boards so that the kerf boards just contact the sides of blade teeth. Tighten the rear screws (do not tighten firmly).

After adjusting the kerf boards, release the stopper pin and raise the handle. Then tighten all the screws securely.

NOTICE: After setting the bevel angle ensure that the kerf boards are adjusted properly. Correct adjustment of the kerf boards will help provide proper support of the workpiece minimizing workpiece tear out.

Maintaining maximum cutting capacity

This tool is factory adjusted to provide the maximum cutting capacity for a 260 mm saw blade.

When installing a new blade, always check the lower limit position of the blade and if necessary, adjust it as follows:

First, remove the batteries. Turn the stopper lever to engaged position.

► **Fig.16:** 1. Stopper lever

Push the carriage toward the guide fence fully and lower the handle completely.

Adjust the blade position by turning the adjusting bolt with the hex wrench. The periphery of the blade should extend slightly below the top surface of the turn base and also comes to the point where the front face of the guide fence meets the top surface of the turn base.

► **Fig.17:** 1. Adjusting bolt

► **Fig.18:** 1. Top surface of turn base 2. Periphery of blade 3. Guide fence

With the batteries removed, rotate the blade by hand while holding the handle all the way down to be sure that the blade does not contact any part of the lower base. Re-adjust slightly, if necessary.

After adjustment, always return the stopper lever to the original position.

⚠ WARNING: After installing a new blade and with the batteries removed, always be sure that the blade does not contact any part of the lower base when the handle is lowered completely. If a blade makes contact with the base it may cause kickback and result in serious personal injury.

Stopper arm

The lower limit position of the blade can be easily adjusted with the stopper arm. To adjust it, turn the stopper arm in the direction of the arrow as shown in the figure. Turn the adjusting screw so that the blade stops at the desired position when lowering the handle fully.

► **Fig.19:** 1. Stopper arm 2. Adjusting screw

Adjusting the miter angle

⚠ CAUTION: After changing the miter angle, always secure the turn base by tightening the grip firmly.

NOTICE: When turning the turn base, be sure to raise the handle fully.

► **Fig.20:** 1. Lock lever 2. Grip 3. Releasing lever 4. Pointer

Rotate the grip counterclockwise to unlock the turn base. Turn the grip while holding down the lock lever to move the turn base. Align the pointer with your desired angle on the scale then tighten the grip.

NOTE: If you depress the releasing lever, you can move the turn base without holding down the lock lever. Tighten the grip at your desired position.

This miter saw employs positive stop function. You can set 0°, 15°, 22.5°, 31.6°, 45°, and 60° right/left miter angle quickly. To use this function, move the turn base close to your desired positive stop angle while holding down the lock lever. Then release the lock lever and move the turn base forward until the turn base is locked.

Adjusting the bevel angle

NOTICE: Always remove the upper guide fences and vertical vise before adjusting the bevel angle.

NOTICE: When changing bevel angles, be sure to position the kerf boards appropriately as explained in the "Kerf boards" section.

NOTICE: When tilting the saw blade, be sure to raise the handle fully.

NOTICE: Do not tighten the knob too hard. Doing so may cause malfunction of the locking mechanism of the bevel angle.

1. Turn the knob on the slide pole counterclockwise.

► **Fig.21:** 1. Knob

2. Pull and turn the latch lever to the position as illustrated.

► **Fig.22:** 1. Latch lever

3. Match the pointer with your desired angle on the scale by moving the carriage then tighten the knob.

► **Fig.23:** 1. Bevel angle scale 2. Pointer

To tilt the carriage to the right, tilt the carriage to the left slightly and then tilt it to the right while pressing down the releasing button.

► **Fig.24:** 1. Releasing button

If you perform a bevel cut greater than 45°, move the carriage while sliding the releasing lever toward the front of the tool. You can perform up to 48° bevel cut.

► **Fig.25:** 1. Releasing lever

This miter saw employs positive stop function. You can set 22.5° and 33.9° angle to both right and left quickly. Set the latch lever in the position as illustrated and tilt the carriage. To change the angle, pull the latch lever and tilt the carriage.

► **Fig.26:** 1. Latch lever

CAUTION: After changing the bevel angle, always secure the knob.

Slide lock

To lock the sliding movement of the carriage, push the carriage toward the guide fence until it stops. Pull the stopper pin and rotate it 90°.

► **Fig.27:** 1. Unlocked position 2. Locked position 3. Stopper pin

Switch action

WARNING: Before installing the batteries into the tool, always check to see that the switch trigger actuates properly and returns to the "OFF" position when released. Do not pull the switch trigger hard without pressing in the lock-off button. This can cause switch breakage. Operating a tool with a switch that does not actuate properly can lead to loss of control and serious personal injury.

WARNING: NEVER use tool without a fully operative switch trigger. Any tool with an inoperative switch is HIGHLY DANGEROUS and must be repaired before further usage or serious personal injury may occur.

WARNING: NEVER defeat the lock-off button by taping down or some other means. A switch with a negated lock-off button may result in unintentional operation and serious personal injury.

WARNING: NEVER use the tool if it runs when you simply pull the switch trigger without pressing the lock-off button. A switch in need of repair may result in unintentional operation and serious personal injury. Return tool to a Makita service center for proper repairs BEFORE further usage.

► **Fig.28:** 1. Switch trigger 2. Lock-off button 3. Hole for padlock

To prevent the switch trigger from being accidentally pulled, a lock-off button is provided. To start the tool, press in the lock-off button and pull the switch trigger. Release the switch trigger to stop.

A hole is provided in the switch trigger for insertion of a padlock to lock the tool off.

WARNING: Do not use a lock with a shank or cable any smaller than 6.35 mm (1/4") in diameter. A smaller shank or cable may not properly lock the tool in the off position and unintentional operation may occur resulting in serious personal injury.

Electronic function

Constant speed control

The tool is provided with an electronic speed control which helps maintain a constant blade rotation speed even under load. A constant blade rotation speed will result in a very smooth cut.

Soft start feature

This function allows the smooth start-up of the tool by limiting the start-up torque.

Laser beam action

For DLS111, DLS112 only

CAUTION: Never look into the laser beam. Direct laser beam may injure your eyes.

To turn on the laser beam, press the upper position (I) of the switch. To turn off the laser beam, press the lower position (O) of the switch.

► **Fig.29:** 1. Switch for laser

Laser line can be shifted to either the left or right side of the saw blade by turning the adjusting screw as follows.

► **Fig.30:** 1. Adjusting screw

1. Loosen the adjusting screw by turning it counterclockwise.
2. With the adjusting screw loosened, slide the adjusting screw to the right or left as far as it goes.
3. Tighten the adjusting screw firmly at the position where it stops sliding.

NOTE: Laser line is factory adjusted so that it is positioned within 1 mm from the side surface of the blade (cutting position).

NOTE: When laser line appears dim and hard to see because of direct sunlight, relocate the work area to a place where there is less direct sunlight.

Aligning the laser line

Align the cutting line on your workpiece with the laser line.

► **Fig.31**

- A) When you want to obtain the correct size on the left side of workpiece, shift the laser line to the left of the blade.
B) When you want to obtain the correct size on the right side of workpiece, shift the laser line to the right of the blade.

NOTE: Use wood facing against the guide fence when aligning the cutting line with the laser line at the side of guide fence in compound cutting (bevel angle 45° and miter angle right 45°).

ASSEMBLY

⚠WARNING: Always be sure that the tool is switched off and the battery cartridge is removed before working on the tool. Failure to switch off and remove the battery cartridge may result in serious personal injury.

Hex wrench storage

When not in use, store the hex wrench as shown in the figure to keep it from being lost.

► **Fig.32:** 1. Hex wrench

Removing and installing saw blade

⚠WARNING: Always be sure that the tool is switched off and the battery cartridge is removed before installing or removing the blade. Accidental start up of the tool may result in serious personal injury.

⚠WARNING: Use only the Makita wrench provided to install or remove the blade. Failure to use the wrench may result in overtightening or insufficient tightening of the hex socket bolt and serious personal injury.

Always lock the carriage with raised position when removing and installing the blade. Pull the stopper pin and rotate it 90° with the carriage raised.

► **Fig.33:** 1. Unlocked position 2. Locked position 3. Stopper pin

Removing the blade

Loosen the hex bolt holding the center cover using the hex wrench. Raise the blade guard and center cover.

► **Fig.34:** 1. Center cover 2. Hex wrench 3. Blade guard

Press the shaft lock to lock the spindle and use the hex wrench to loosen the hex socket bolt. Then remove the hex socket bolt, outer flange and blade.

► **Fig.35:** 1. Shaft lock 2. Hex wrench 3. Hex socket bolt (left-handed) 4. Loosen 5. Tighten

Installing the blade

Mount the blade carefully onto the spindle, making sure that the direction of the arrow on the surface of the blade matches the direction of the arrow on the blade case.

► **Fig.36:** 1. Arrow on the blade case 2. Arrow on the blade

Install the outer flange and hex socket bolt. Tighten the hex socket bolt counterclockwise using the hex wrench while pressing the shaft lock.

► **Fig.37:** 1. Hex socket bolt 2. Outer flange 3. Saw blade 4. Inner flange 5. Spindle 6. Ring

NOTICE: If the inner flange is removed, be sure to install it on the spindle with its protrusion facing away from the blade. If the flange is installed incorrectly, the flange will rub against the machine.

Return the blade guard and center cover to its original position. Then tighten the hex bolt clockwise to secure the center cover. Unlock the stopper pin to release carriage from the raised position. Lower the handle to make sure that the blade guard moves properly. Make sure shaft lock has released spindle before making cut.

⚠WARNING: Before mounting the blade onto the spindle, always be sure that the correct ring for the blade's arbor hole you intend to use is installed between the inner and the outer flanges. Use of the incorrect arbor hole ring may result in the improper mounting of the blade causing blade movement and severe vibration resulting in possible loss of control during operation and in serious personal injury.

Connecting a vacuum cleaner

When you wish to perform clean cutting operation, connect a Makita vacuum cleaner to the dust nozzle using a front cuff 24 (optional accessory).

► **Fig.38:** 1. Front cuff 24 2. Hose 3. Vacuum cleaner

Dust bag

The use of the dust bag makes cutting operations clean and dust collection easy. To attach the dust bag, remove the dust extraction hose on the tool and connect the dust bag.

► **Fig.39:** 1. Dust extraction hose 2. Dust bag

When the dust bag is about half full, remove the dust bag from the tool and pull the fastener out. Empty the dust bag of its contents, tapping it lightly so as to remove particles adhering to the insides which might hamper further collection.

► **Fig.40:** 1. Fastener

Securing workpiece

⚠ WARNING: It is extremely important to always secure the workpiece correctly with the proper type of vise or crown molding stoppers. Failure to do so may result in serious personal injury and cause damage to the tool and/or the workpiece.

⚠ WARNING: After a cutting operation do not raise the blade until it has come to a complete stop. The raising of a coasting blade may result in serious personal injury and damage to the workpiece.

⚠ WARNING: When cutting a workpiece that is longer than the support base of the saw, the material should be supported the entire length beyond the support base and at the same height to keep the material level. Proper workpiece support will help avoid blade pinch and possible kickback which may result in serious personal injury. Do not rely solely on the vertical vise and/or horizontal vise to secure the workpiece. Thin material tends to sag. Support workpiece over its entire length to avoid blade pinch and possible KICKBACK.

► Fig.41: 1. Support 2. Turn base

Guide fences

⚠ WARNING: Before operating the tool, make sure that the upper fence is secured firmly.

⚠ WARNING: Before bevel-cutting, make sure that no part of the tool, especially the blade, contacts the upper and lower fences when fully lowering and raising the handle in any position and while moving the carriage through its full range of travel. If the tool or blade makes contact with the fence this may result in kickback or unexpected movement of the material and serious personal injury.

Use upper fences to support the material higher than the lower fences. Insert the upper fence into the hole on the lower fence and tighten the clamping screw.

► Fig.42: 1. Upper fence 2. Lower fence 3. Clamping screw 4. Adjusting screw

NOTICE: The lower fences are fixed to the base in the factory. Do not remove the lower fences.

NOTICE: If the upper fence is still loose after tightening the clamping screw, turn the adjusting screw to close a gap. The adjusting screw is factory adjusted. You don't need to use it unless needed.

You can store the upper fences onto the holder when not in use. Use the clip on the upper fence to hold it on the holder.

► Fig.43: 1. Holder 2. Upper fence 3. Clip

Vertical vise

⚠ WARNING: The workpiece must be secured firmly against the turn base and guide fence with the vise during all operations. If the workpiece is not properly secured against the fence the material may move during the cutting operation causing possible damage to the blade, causing the material to be thrown and loss of control resulting in serious personal injury.

► Fig.44: 1. Vise arm 2. Vise rod 3. Clamping screw 4. Vise knob

The vertical vise can be installed in two positions on either the left or right side of the base. Insert the vise rod into the hole in the base.

Position the vise arm according to the thickness and shape of the workpiece and secure the vise arm by tightening the screw. If the clamping screw contacts the carriage, install it on the opposite side of vise arm. Make sure that no part of the tool contacts the vise when lowering the handle all the way. If some part contacts the vise, re-position the vise.

Press the workpiece flat against the guide fence and the turn base. Position the workpiece at the desired cutting position and secure it firmly by tightening the vise knob.

NOTE: For a quick setting of workpiece, turning the vise knob to 90° counterclockwise allows the vise knob to be moved up and down. To secure the workpiece after setting, turn the vise knob clockwise.

Horizontal vise

Optional accessory

⚠ WARNING: Always rotate the vise nut clockwise until the workpiece is properly secured. If the workpiece is not properly secured the material may move during the cutting operation causing possible damage to the blade, causing the material to be thrown and loss of control resulting in serious personal injury.

⚠ WARNING: When cutting a thin workpiece, such as base boards, against the fence, always use the horizontal vise.

The horizontal vise can be installed in two positions on either the left or right side of the base. When performing 22.5° or greater miter cuts, install the horizontal vise on the side opposite the direction in which the turn base is to be turned.

► Fig.45: 1. Vise plate 2. Vise nut 3. Vise knob

By flipping the vise nut counterclockwise, the vise is released, and rapidly moves in and out. To grip the workpiece, push the vise knob forward until the vise plate contacts the workpiece and flip the vise nut clockwise. Then turn the vise knob clockwise to secure the workpiece.

NOTE: The maximum width of workpiece which can be secured by the horizontal vise is 228 mm.

Holders

⚠ WARNING: Always support a long workpiece so it is level with the top surface of the turn base for an accurate cut and to prevent dangerous loss of tool control. Proper workpiece support will help avoid blade pinch and possible kickback which may result in serious personal injury.

To hold long workpieces horizontally, holders are provided on both sides of the tool. Loosen the screws and extend the holders to the appropriate length for holding the workpiece. Then tighten the screws.

► **Fig.46:** 1. Holder 2. Screw

OPERATION

⚠ WARNING: Make sure the blade is not contacting the workpiece, etc. before the switch is turned on. Turning the tool on with the blade in contact with the workpiece may result in kickback and serious personal injury.

⚠ WARNING: After a cutting operation, do not raise the blade until it has come to a complete stop. The raising of a coasting blade may result in serious personal injury and damage to the workpiece.

⚠ WARNING: Do not perform any adjustment such as turning grip, knob, and levers on the tool while the blade is rotating. Adjustment while the blade is rotating may result in serious personal injury.

NOTICE: Before use, be sure to unlock the stopper pin and release the handle from the lowered position.

NOTICE: Do not apply excessive pressure on the handle when cutting. Too much force may result in overload of the motor and/or decreased cutting efficiency. Press down handle with only as much force as necessary for smooth cutting and without significant decrease in blade speed.

NOTICE: Gently press down the handle to perform the cut. If the handle is pressed down with force or if lateral force is applied, the blade may vibrate and leave a mark (saw mark) in the workpiece and the precision of the cut may be impaired.

NOTICE: During a slide cut, gently push the carriage toward the guide fence without stopping. If the carriage movement is stopped during the cut, a mark will be left in the workpiece and the precision of the cut will be impaired.

Press cutting

⚠ WARNING: Always lock the sliding movement of the carriage when performing a press cutting. Cutting without lock may cause possible kickback which may result in serious personal injury.

Workpieces up to 68 mm high and 160 mm wide can be cut in the following manner.

► **Fig.47:** 1. Stopper pin

1. Push the carriage toward the guide fence until it stops and lock it with the stopper pin.
2. Secure the workpiece with the proper type of vise.
3. Switch on the tool without the blade making any contact and wait until the blade attains full speed before lowering.
4. Gently lower the handle to the fully lowered position to cut the workpiece.
5. When the cut is completed, switch off the tool and wait until the blade has come to a complete stop before returning the blade to its fully elevated position.

Slide (push) cutting (cutting wide workpieces)

⚠ WARNING: Whenever performing a slide cut, first pull the carriage full towards you and press the handle all the way down, then push the carriage toward the guide fence. Never start the cut with the carriage not pulled fully toward you. If you perform the slide cut without the carriage pulled fully toward you unexpected kickback may occur and serious personal injury may result.

⚠ WARNING: Never attempt to perform a slide cut by pulling the carriage towards you. Pulling the carriage towards you while cutting may cause unexpected kickback resulting in possible serious personal injury.

⚠ WARNING: Never perform the slide cut with the handle locked in the lowered position.

► **Fig.48:** 1. Stopper pin

1. Unlock the stopper pin so that the carriage can slide freely.
2. Secure the workpiece with the proper type of vise.
3. Pull the carriage toward you fully.
4. Switch on the tool without the blade making any contact and wait until the blade attains full speed.
5. Press the handle down and push the carriage toward the guide fence and through the workpiece.
6. When the cut is completed, switch off the tool and wait until the blade has come to a complete stop before returning the blade to its fully elevated position.

Miter cutting

Refer to the previously covered "Adjusting the miter angle".

Bevel cut

⚠ WARNING: After setting the blade for a bevel cut, ensure that the carriage and blade will have free travel throughout the entire range of the intended cut before operating the tool. Interruption of the carriage or blade travel during the cutting operation may result in kickback and serious personal injury.

⚠ WARNING: While making a bevel cut keep hands out of the path of the blade. The angle of the blade may confuse the operator as to the actual blade path while cutting and contact with the blade will result in serious personal injury

⚠ WARNING: The blade should not be raised until it has come to a complete stop. During a bevel cut the piece cut off may come to rest against the blade. If the blade is raised while it is rotating the cut-off piece may be ejected by the blade causing the material to fragment which may result in serious personal injury.

NOTICE: When pressing down the handle, apply pressure in parallel with the blade. If a force is applied perpendicularly to the turn base or if the pressure direction is changed during a cut, the precision of the cut will be impaired.

► Fig.49

1. Remove the upper fence on the side that you are going to tilt the carriage.
2. Unlock the stopper pin.
3. Adjust the bevel angle according to the procedure explained in the "Adjusting the bevel angle" section. Then tighten the knob.
4. Secure the workpiece with a vise.
5. Pull the carriage toward you fully.
6. Switch on the tool without the blade making any contact and wait until the blade attains full speed.
7. Gently lower the handle to the fully lowered position while applying pressure in parallel with the blade and **push the carriage toward the guide fence to cut the workpiece.**
8. When the cut is completed, switch off the tool and **wait until the blade has come to a complete stop** before returning the blade to its fully elevated position.

Compound cutting

Compound cutting is the process in which a bevel angle is made at the same time in which a miter angle is being cut on a workpiece. Compound cutting can be performed at the angle shown in the table.

| Miter angle | Bevel angle |
|-------------------------|-------------------------|
| Left and Right 0° - 45° | Left and Right 0° - 45° |

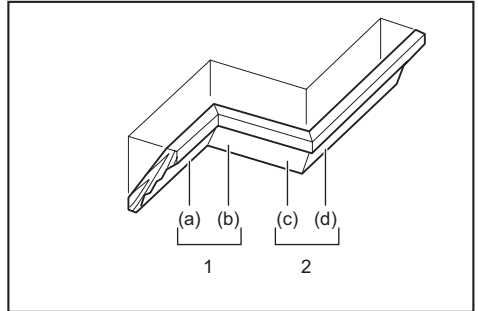
When performing compound cutting, refer to "Press cutting", "Slide (push) cutting", "Miter cutting" and "Bevel cut" explanations

Cutting crown and cove moldings

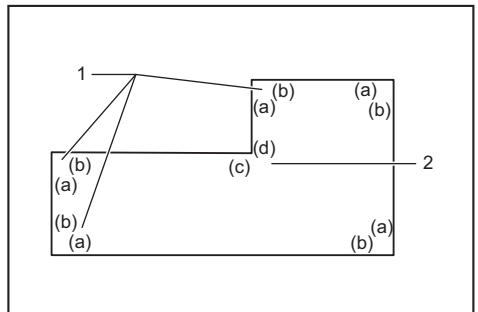
Crown and cove moldings can be cut on a compound miter saw with the moldings laid flat on the turn base. There are two common types of crown moldings and one type of cove moldings; 52/38° wall angle crown molding, 45° wall angle crown molding and 45° wall angle cove molding.

► **Fig.50:** 1. 52/38° type crown molding 2. 45° type crown molding 3. 45° type cove molding

There are crown and cove molding joints which are made to fit "Inside" 90° corners ((a) and (b) in the figure.) and "Outside" 90° corners ((c) and (d) in the figure.)



1. Inside corner 2. Outside corner



1. Inside corner 2. Outside corner

Measuring

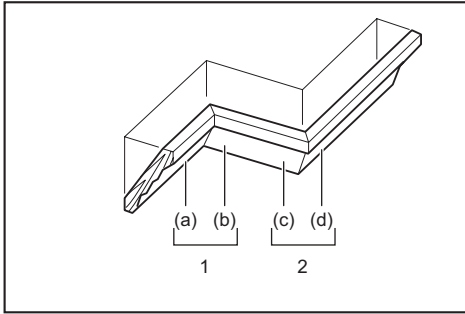
Measure the wall width, and adjust the width of the workpiece according to it. Always make sure that width of the workpiece's wall contact edge is the same as wall length.

► **Fig.51:** 1. Workpiece 2. Wall width 3. Width of the workpiece 4. Wall contact edge

Always use several pieces for test cuts to check the saw angles.

When cutting crown and cove moldings, set the bevel angle and miter angle as indicated in the table (A) and position the moldings on the top surface of the saw base as indicated in the table (B).

In the case of left bevel cut



1. Inside corner 2. Outside corner

Table (A)

| – | Molding position in the figure | Bevel angle | | Miter angle | |
|--------------------|--------------------------------|-------------|----------|-------------|-------------|
| | | 52/38° type | 45° type | 52/38° type | 45° type |
| For inside corner | (a) | Left 33.9° | Left 30° | Right 31.6° | Right 35.3° |
| | (b) | | | Left 31.6° | Left 35.3° |
| For outside corner | (c) | | | Right 31.6° | Right 35.3° |
| | (d) | | | Right 31.6° | Right 35.3° |

Table (B)

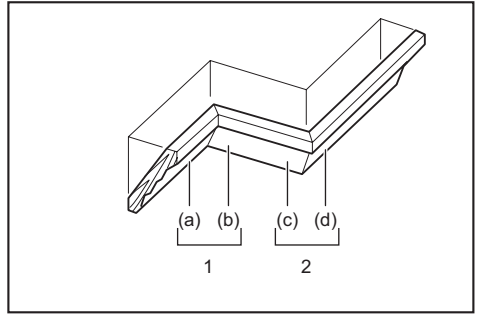
| – | Molding position in the figure | Molding edge against guide fence | Finished piece |
|--------------------|--------------------------------|---|--|
| For inside corner | (a) | Ceiling contact edge should be against guide fence. | Finished piece will be on the Left side of blade. |
| | (b) | Wall contact edge should be against guide fence. | |
| For outside corner | (c) | Wall contact edge should be against guide fence. | Finished piece will be on the Right side of blade. |
| | (d) | Ceiling contact edge should be against guide fence. | |

Example:

In the case of cutting 52/38° type crown molding for position (a) in the above figure:

- Tilt and secure bevel angle setting to 33.9° LEFT.
- Adjust and secure miter angle setting to 31.6° RIGHT.
- Lay crown molding with its broad back (hidden) surface down on the turn base with its CEILING CONTACT EDGE against the guide fence on the saw.
- The finished piece to be used will always be on the LEFT side of the blade after the cut has been made.

In the case of right bevel cut



1. Inside corner 2. Outside corner

Table (A)

| – | Molding position in the figure | Bevel angle | | Miter angle | |
|--------------------|--------------------------------|-------------|-----------|-------------|-------------|
| | | 52/38° type | 45° type | 52/38° type | 45° type |
| For inside corner | (a) | Right 33.9° | Right 30° | Right 31.6° | Right 35.3° |
| | (b) | | | Left 31.6° | Left 35.3° |
| For outside corner | (c) | | | Right 31.6° | Right 35.3° |
| | (d) | | | Right 31.6° | Right 35.3° |

Table (B)

| – | Molding position in the figure | Molding edge against guide fence | Finished piece |
|--------------------|--------------------------------|---|--|
| For inside corner | (a) | Wall contact edge should be against guide fence. | Finished piece will be on the Right side of blade. |
| | (b) | Ceiling contact edge should be against guide fence. | |
| For outside corner | (c) | Wall contact edge should be against guide fence. | Finished piece will be on the Left side of blade. |
| | (d) | Ceiling contact edge should be against guide fence. | |

Example:

In the case of cutting 52/38° type crown molding for position (a) in the above figure:

- Tilt and secure bevel angle setting to 33.9° RIGHT.
- Adjust and secure miter angle setting to 31.6° RIGHT.
- Lay crown molding with its broad back (hidden) surface down on the turn base with its WALL CONTACT EDGE against the guide fence on the saw.
- The finished piece to be used will always be on the RIGHT side of the blade after the cut has been made.

Crown molding stopper

Optional accessory

Crown molding stoppers allow easier cuts of crown molding without tilting the saw blade. Install them on the turn base as shown in the figures.

At right 45° miter angle

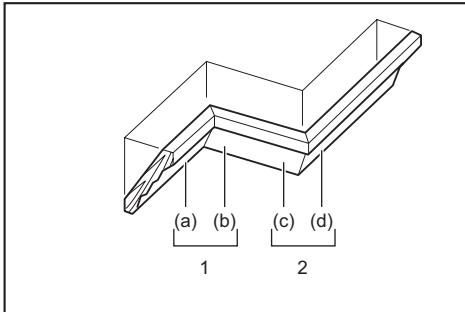
► **Fig.52:** 1. Crown molding stopper L 2. Crown molding stopper R 3. Turn base 4. Guide fence

At left 45° miter angle

► **Fig.53:** 1. Crown molding stopper L 2. Crown molding stopper R 3. Turn base 4. Guide fence

Position crown molding with its WALL CONTACT EDGE against the guide fence and its CEILING CONTACT EDGE against the crown molding stoppers as shown in the figure. Adjust the crown molding stoppers according to the size of the crown molding. Tighten the screws to secure the crown molding stoppers. Refer to the table (C) for the miter angle.

► **Fig.54:** 1. Guide fence 2. Crown molding stopper



1. Inside corner 2. Outside corner

Table (C)

| – | Molding position in the figure | Miter angle | Finished piece |
|--------------------|--------------------------------|-------------|------------------------------|
| For inside corner | (a) | Right 45° | Save the right side of blade |
| | (b) | Left 45° | Save the left side of blade |
| For outside corner | (c) | Right 45° | Save the right side of blade |
| | (d) | | Save the left side of blade |

Cutting aluminum extrusion

► **Fig.55:** 1. Vise 2. Spacer block 3. Guide fence 4. Aluminum extrusion 5. Spacer block

When securing aluminum extrusions, use spacer blocks or pieces of scrap as shown in the figure to prevent deformation of the aluminum. Use a cutting lubricant when cutting the aluminum extrusion to prevent build-up of the aluminum material on the blade.

⚠WARNING: Never attempt to cut thick or round aluminum extrusions. Thick or round aluminum extrusions can be difficult to secure and the work may loosen during the cutting operation which may result in loss of control and serious personal injury.

Groove cutting

⚠WARNING: Do not attempt to perform this type of cut by using a wider type blade or dado blade. Attempting to make a groove cut with a wider blade or dado blade could lead to unexpected cutting results and kickback which may result in serious personal injury.

⚠WARNING: Be sure to return the stopper arm to the original position when performing other than groove cutting. Attempting to make cuts with the stopper arm in the incorrect position could lead to unexpected cutting results and kickback which may result in serious personal injury.

For a dado type cut, perform as follows:

1. Adjust the lower limit position of the blade using the adjusting screw and the stopper arm to limit the cutting depth of the blade. Refer to "Stopper arm" section described on previously.

2. After adjusting the lower limit position of the blade, cut parallel grooves across the width of the workpiece using a slide (push) cut.

► **Fig.56:** 1. Cut grooves with blade

3. Remove the workpiece material between the grooves with a chisel.

Carrying tool

Before carrying, make sure to remove the batteries and all movable parts of the miter saw are secured. Always check the following:

- The batteries are removed.
- The carriage is at 0° bevel angle position and secured.
- The carriage is lowered and locked.
- The carriage is fully slid to the guide fence and locked.
- The turn base is at the full right miter angle position and secured.
- The holders are stored and secured.

Carry the tool by holding both sides of the tool base as shown in the figure.

► **Fig.57**

⚠WARNING: Stopper pin for carriage elevation is for carrying and storage purposes only and not for any cutting operations. The use of the stopper pin for cutting operations may cause unexpected movement of the saw blade resulting in kickback and serious personal injury.

⚠CAUTION: Always secure all moving portions before carrying the tool. If portions of the tool move or slide while being carried, loss of control or balance may occur and result in personal injury.

WIRELESS ACTIVATION FUNCTION

For DLS111 only

What you can do with the wireless activation function

The wireless activation function enables clean and comfortable operation. By connecting a supported vacuum cleaner to the tool, you can run the vacuum cleaner automatically along with the switch operation of the tool.

► Fig.58

To use the wireless activation function, prepare following items:

- A wireless unit
- A vacuum cleaner which supports the wireless activation function

The overview of the wireless activation function setting is as follows. Refer to each section for detail procedures.

1. Installing the wireless unit
2. Tool registration for the vacuum cleaner
3. Starting the wireless activation function

Installing the wireless unit

CAUTION: Place the tool on a flat and stable surface when installing the wireless unit.

NOTICE: Clean the dust and dirt on the tool before installing the wireless unit. Dust or dirt may cause malfunction if it comes into the slot of the wireless unit.

NOTICE: To prevent the malfunction caused by static, touch a static discharging material, such as a metal part of the tool, before picking up the wireless unit.

NOTICE: When installing the wireless unit, always be sure that the wireless unit is inserted in the correct direction and the lid is completely closed.

1. Open the lid on the tool as shown in the figure.
► Fig.59: 1. Lid

2. Insert the wireless unit to the slot and then close the lid.

When inserting the wireless unit, align the projections with the recessed portions on the slot.

- Fig.60: 1. Wireless unit 2. Projection 3. Lid
4. Recessed portion

When removing the wireless unit, open the lid slowly. The hooks on the back of the lid will lift the wireless unit as you pull up the lid.

- Fig.61: 1. Wireless unit 2. Hook 3. Lid

After removing the wireless unit, keep it in the supplied case or a static-free container.

NOTICE: Always use the hooks on the back of the lid when removing the wireless unit. If the hooks do not catch the wireless unit, close the lid completely and open it slowly again.

Tool registration for the vacuum cleaner

NOTE: A Makita vacuum cleaner supporting the wireless activation function is required for the tool registration.

NOTE: Finish installing the wireless unit to the tool before starting the tool registration.

NOTE: During the tool registration, do not pull the switch trigger or turn on the power switch on the vacuum cleaner.

NOTE: Refer to the instruction manual of the vacuum cleaner, too.

If you wish to activate the vacuum cleaner along with the switch operation of the tool, finish the tool registration beforehand.

1. Install the batteries to the vacuum cleaner and the tool.

2. Set the stand-by switch on the vacuum cleaner to "AUTO".

► Fig.62: 1. Stand-by switch

3. Press the wireless activation button on the vacuum cleaner for 3 seconds until the wireless activation lamp blinks in green. And then press the wireless activation button on the tool in the same way.

► Fig.63: 1. Wireless activation button 2. Wireless activation lamp

If the vacuum cleaner and the tool are linked successfully, the wireless activation lamps will light up in green for 2 seconds and start blinking in blue.

NOTE: The wireless activation lamps finish blinking in green after 20 seconds elapsed. Press the wireless activation button on the tool while the wireless activation lamp on the cleaner is blinking. If the wireless activation lamp does not blink in green, push the wireless activation button briefly and hold it down again.

NOTE: When performing two or more tool registrations for one vacuum cleaner, finish the tool registration one by one.

Starting the wireless activation function

NOTE: Finish the tool registration for the vacuum cleaner prior to the wireless activation.

NOTE: Refer to the instruction manual of the vacuum cleaner, too.

After registering a tool to the vacuum cleaner, the vacuum cleaner will automatically runs along with the switch operation of the tool.

1. Install the wireless unit to the tool.

2. Connect the hose of the vacuum cleaner with the tool.

► Fig.64

3. Set the stand-by switch on the vacuum cleaner to "AUTO".

► Fig.65: 1. Stand-by switch

4. Push the wireless activation button on the tool briefly. The wireless activation lamp will blink in blue.

► **Fig.66:** 1. Wireless activation button 2. Wireless activation lamp

5. Pull the switch trigger of the tool. Check if the vacuum cleaner runs while the switch trigger is being pulled.

To stop the wireless activation of the vacuum cleaner, push the wireless activation button on the tool.

NOTE: The wireless activation lamp on the tool will stop blinking in blue when there is no operation for 2 hours. In this case, set the stand-by switch on the vacuum cleaner to "AUTO" and push the wireless activation button on the tool again.

NOTE: The vacuum cleaner starts/stops with a delay. There is a time lag when the vacuum cleaner detects a switch operation of the tool.










NOTE: The transmission distance of the wireless unit may vary depending on the location and surrounding circumstances.

NOTE: When two or more tools are registered to one vacuum cleaner, the vacuum cleaner may start running even if you don't pull the switch trigger because another user is using the wireless activation function.

Description of the wireless activation lamp status

► **Fig.67:** 1. Wireless activation lamp

The wireless activation lamp shows the status of the wireless activation function. Refer to the table below for the meaning of the lamp status.

| Status | Wireless activation lamp | | | Duration | Description |
|------------------------------|--------------------------|--|--|---------------------------|--|
| | Color |  On |  Blinking | | |
| Standby | Blue |  | | 2 hours | The wireless activation of the vacuum cleaner is available. The lamp will automatically turn off when no operation is performed for 2 hours. |
| | |  | | When the tool is running. | The wireless activation of the vacuum cleaner is available and the tool is running. |
| Tool registration | Green |  | | 20 seconds | Ready for the tool registration. Waiting for the registration by the vacuum cleaner. |
| | |  | | 2 seconds | The tool registration has been finished. The wireless activation lamp will start blinking in blue. |
| Cancelling tool registration | Red |  | | 20 seconds | Ready for the cancellation of the tool registration. Waiting for the cancellation by the vacuum cleaner. |
| | |  | | 2 seconds | The cancellation of the tool registration has been finished. The wireless activation lamp will start blinking in blue. |
| Others | Red |  | | 3 seconds | The power is supplied to the wireless unit and the wireless activation function is starting up. |
| | Off | - | | - | The wireless activation of the vacuum cleaner is stopped. |

Cancelling tool registration for the vacuum cleaner

Perform the following procedure when cancelling the tool registration for the vacuum cleaner.

1. Install the batteries to the vacuum cleaner and the tool.

2. Set the stand-by switch on the vacuum cleaner to "AUTO".

► **Fig.68:** 1. Stand-by switch

3. Press the wireless activation button on the vacuum cleaner for 6 seconds. The wireless activation lamp blinks in green and then become red. After that, press the wireless activation button on the tool in the same way.

► **Fig.69:** 1. Wireless activation button 2. Wireless activation lamp

If the cancellation is performed successfully, the wireless activation lamps will light up in red for 2 seconds and start blinking in blue.

NOTE: The wireless activation lamps finish blinking in red after 20 seconds elapsed. Press the wireless activation button on the tool while the wireless activation lamp on the cleaner is blinking. If the wireless activation lamp does not blink in red, push the wireless activation button briefly and hold it down again.

Troubleshooting for wireless activation function

Before asking for repairs, conduct your own inspection first. If you find a problem that is not explained in the manual, do not attempt to dismantle the tool. Instead, ask Makita Authorized Service Centers, always using Makita replacement parts for repairs.

| State of abnormality | Probable cause (malfunction) | Remedy |
|--|--|---|
| The wireless activation lamp does not light/blink. | The wireless unit is not installed into the tool. The wireless unit is improperly installed into the tool. | Install the wireless unit correctly. |
| | The terminal of the wireless unit and/or the slot is dirty. | Gently wipe off dust and dirt on the terminal of the wireless unit and clean the slot. |
| | The wireless activation button on the tool has not been pushed. | Push the wireless activation button on the tool briefly. |
| | The stand-by switch on the vacuum cleaner is not set to "AUTO". | Set the stand-by switch on the vacuum cleaner to "AUTO". |
| | No power supply | Supply the power to the tool and the vacuum cleaner. |
| Cannot finish tool registration / cancelling tool registration successfully. | The wireless unit is not installed into the tool. The wireless unit is improperly installed into the tool. | Install the wireless unit correctly. |
| | The terminal of the wireless unit and/or the slot is dirty. | Gently wipe off dust and dirt on the terminal of the wireless unit and clean the slot. |
| | The stand-by switch on the vacuum cleaner is not set to "AUTO". | Set the stand-by switch on the vacuum cleaner to "AUTO". |
| | No power supply | Supply the power to the tool and the vacuum cleaner. |
| | Incorrect operation | Push the wireless activation button briefly and perform the tool registration/cancellation procedures again. |
| | The tool and vacuum cleaner is away from each other (out of the transmission range). | Get the tool and vacuum cleaner closer to each other. The maximum transmission distance is approximately 10 m however it may vary according to the circumstances. |
| | Before finishing the tool registration/cancellation; - the switch trigger on the tool is pulled or; - the power button on the vacuum cleaner is turned on. | Push the wireless activation button briefly and perform the tool registration/cancellation procedures again. |
| | The tool registration procedures for the tool or vacuum cleaner has not finished. | Perform the tool registration procedures for both the tool and the vacuum cleaner at the same timing. |
| Radio disturbance by other appliances which generate high-intensity radio waves. | Keep the tool and vacuum cleaner away from the appliances such as Wi-Fi devices and microwave ovens. | |

| State of abnormality | Probable cause (malfunction) | Remedy |
|--|---|---|
| The vacuum cleaner does not run along with the switch operation of the tool. | The wireless unit is not installed into the tool. The wireless unit is improperly installed into the tool. | Install the wireless unit correctly. |
| | The terminal of the wireless unit and/or the slot is dirty. | Gently wipe off dust and dirt on the terminal of the wireless unit and clean the slot. |
| | The wireless activation button on the tool has not been pushed. | Push the wireless activation button briefly and make sure that the wireless activation lamp is blinking in blue. |
| | The stand-by switch on the vacuum cleaner is not set to "AUTO". | Set the stand-by switch on the vacuum cleaner to "AUTO". |
| | More than 10 tools are registered to the vacuum cleaner. | Perform the tool registration again. If more than 10 tools are registered to the vacuum cleaner, the tool registered earliest will be cancelled automatically. |
| | The vacuum cleaner erased all tool registrations. | Perform the tool registration again. |
| | No power supply | Supply the power to the tool and the vacuum cleaner. |
| | The tool and vacuum cleaner is away from each other (out of the transmission range). | Get the tool and vacuum cleaner closer each other. The maximum transmission distance is approximately 10 m however it may vary according to the circumstances. |
| | Radio disturbance by other appliances which generate high-intensity radio waves. | Keep the tool and vacuum cleaner away from the appliances such as Wi-Fi devices and microwave ovens. |
| The vacuum cleaner runs while the tool's switch trigger is not pulled. | Other users are using the wireless activation of the vacuum cleaner with their tools. | Turn off the wireless activation button of the other tools or cancel the tool registration of the other tools. |

MAINTENANCE

⚠ WARNING: Always be sure that the tool is switched off and batteries are removed before attempting to perform inspection or maintenance.

Failure to removing the batteries and switch off the tool may result in accidental start up of the tool which may result in serious personal injury.

⚠ WARNING: Always be sure that the blade is sharp and clean for the best and safest performance. Attempting a cut with a dull and /or dirty blade may cause kickback and result in a serious personal injury.

NOTICE: Never use gasoline, benzine, thinner, alcohol or the like. Discoloration, deformation or cracks may result.

Adjusting the cutting angle

This tool is carefully adjusted and aligned at the factory, but rough handling may have affected the alignment. If your tool is not aligned properly, perform the following:

Miter angle

Lower the handle fully and lock it in the lowered position by the stopper pin. Push the carriage toward the guide fence. Loosen the grip and the screws which secure the pointer and miter angle scale.

► **Fig.70:** 1. Screw on pointer 2. Screws on miter angle scale 3. Miter scale

Set the turn base to the 0° position using the positive stop function. Square the side of the blade with the face of the guide fence using a triangular rule or try-square.

While keeping the square, tighten the screws on the miter angle scale. After that, align the pointers (both right and left) with the 0° position in the miter angle scale and then tighten the screw on the pointer.

► **Fig.71:** 1. Triangular rule

Bevel angle

0° bevel angle

Push the carriage toward the guide fence and lock the sliding movement by the stopper pin. Lower the handle fully and lock it in the lowered position by the stopper pin and then loosen the knob. Turn the 0° adjusting bolt two or three revolutions counterclockwise to tilt the blade to the right.

► **Fig.72:** 1. 0° Adjusting bolt 2. Screw

Carefully square the side of the blade with the top surface of the turn base using the triangular rule, try-square, etc. by turning the 0° adjusting bolt clockwise. Then tighten the knob firmly to secure the 0° angle you have set.

► **Fig.73:** 1. Triangular rule 2. Saw blade 3. Top surface of turn base

Check if the side of the blade squares with the turn base surface once again. Loosen the screw on the pointer. Align the pointer with 0° position in the bevel angle scale and then tighten the screw.

45° bevel angle

NOTICE: Before adjusting the 45° bevel angle, finish 0° bevel angle adjustment.

Loosen the knob and fully tilt the carriage to the side that you want to check. Check if the pointer indicates the 45° position in the bevel angle scale.

► Fig.74

If the pointer does not indicate the 45° position, align it with 45° position by turning the adjusting bolt on the opposite side of the bevel angle scale.

► Fig.75: 1. Left 45° adjusting bolt 2. Right 45° adjusting bolt

Adjusting the laser line position

For DLS111, DLS112 only

⚠ WARNING: The batteries must be installed while adjusting the laser line. Take extra care not to switch on the tool during adjustment. Accidental start up of the tool may result in serious personal injury.

⚠ CAUTION: Never look directly into the laser beam. Direct eye exposure to the beam could cause serious damage to your eyes.

NOTICE: Check the position of laser line regularly for accuracy.

NOTICE: Beware that impacts to the tool. It may cause the laser line to be misaligned or may cause damage to the laser, shortening its life.

NOTICE: Have the tool repaired by a Makita authorized service center for any failure on the laser unit.

The movable range of laser line is decided by the range adjustment screws on both sides. Perform following procedures to alter the laser line position.

1. Remove the batteries.
2. Draw a cutting line on the workpiece and place it on the turn base. At this time, do not secure the workpiece with a vise or similar securing device.
3. Lower the handle and align the cutting line with the saw blade.
4. Return the handle to the original position and secure the workpiece with the vertical vise so that the workpiece does not move from the position you have determined.
5. Install the batteries and turn on the laser switch.
6. Loosen the adjusting screw. To move the laser line away from the blade, turn the range adjustment screws counterclockwise. To move the laser line close to the blade, turn the range adjustment screw clockwise.

Adjusting the laser line on the left side of the blade

► Fig.76: 1. Adjusting screw 2. Range adjustment screw 3. Hex wrench 4. Laser line 5. Saw blade

Adjusting the laser line on the right side of the blade

► Fig.77: 1. Adjusting screw 2. Range adjustment screw 3. Hex wrench 4. Laser line 5. Saw blade

7. Slide the adjusting screw to the position that the laser line comes onto the cutting line and then tighten.

NOTE: The movable range of laser line is factory adjusted within 1 mm (0.04") from the side surface of blade.

Cleaning the laser light lens

For DLS111, DLS112 only

The laser light becomes hard to see as the lens for the laser light gets dirty. Clean the lens for laser light periodically.

► Fig.78: 1. Screw 2. Lens

Remove the batteries. Loosen the screw and pull out the lens. Clean the lens gently with a damp soft cloth.

NOTICE: Do not remove the screw which secures the lens. If the lens does not come out, loosen the screw further.

NOTICE: Do not use solvents or any petroleum-based cleaners on the lens.

After use

After use, wipe off chips and dust adhering to the tool with a cloth or the like. Keep the blade guard clean according to the directions in the previously covered section titled "Blade guard". Lubricate the sliding portions with machine oil to prevent rust.

To maintain product SAFETY and RELIABILITY, repairs, any other maintenance or adjustment should be performed by Makita Authorized or Factory Service Centers, always using Makita replacement parts.

OPTIONAL ACCESSORIES

⚠ WARNING: These Makita accessories or attachments are recommended for use with your Makita tool specified in this manual. The use of any other accessories or attachments may result in serious personal injury.

⚠ WARNING: Only use the Makita accessory or attachment for its stated purpose. Misuse of an accessory or attachment may result in serious personal injury.

If you need any assistance for more details regarding these accessories, ask your local Makita Service Center.

- Steel & Carbide-tipped saw blades
- Vertical vise
- Horizontal vise
- Crown molding stopper set
- Dust bag
- Triangular rule
- Hex wrench
- Hex wrench (for laser adjustment)
- Wireless unit (for DLS111)
- Makita genuine battery and charger

NOTE: Some items in the list may be included in the tool package as standard accessories. They may differ from country to country.

SPECIFIKATIONER

| Modell: | | DLS110 | DLS111 | DLS112 |
|---------------------------------|-----------------------|--|---|--------|
| Bladdiameter | Länder i Europa | 260 mm | | |
| | Länder utanför Europa | 255 mm - 260 mm | | |
| Håldiameter | Länder i Europa | 30 mm | | |
| | Länder utanför Europa | 25,4 mm | | |
| Max skärtjocklek på sågklingan | | 3,2 mm | | |
| Max. geringsvinkel | | Höger 60°, vänster 60° | | |
| Max. för vinkelsågning | | Höger 48°, vänster 48° | | |
| Hastighet utan belastning (rpm) | | 4 400 min ⁻¹ | | |
| Lasertyp | | - | Röd laser 650 nm, max uteffekt < 1,6 mW (laserklass 2M) | |
| Märkspänning | | 36 V likström | | |
| Batterikassett | | BL1815N, BL1820, BL1820B, BL1830, BL1830B, BL1840, BL1840B, BL1850, BL1850B, BL1860B | | |
| Laddare | | DC18RC, DC18RD, DC18SD, DC18SE, DC18SF | | |
| Dimensioner (L x B x H) | | 805 mm x 644 mm x 660 mm | | |
| Nettovikt | | 26,6 - 27,3 kg | | |

Kapningskapacitet (H x B)

| Geringsvinkel | Vinkel för vinkelsågning | | |
|-------------------------|----------------------------------|----------------------------------|----------------------------------|
| | 45° (vänster) | 0° | 45° (höger) |
| 0° | 42 mm x 310 mm 58 mm x 279 mm | 68 mm x 310 mm 91 mm x 279 mm | 29 mm x 310 mm 43 mm x 279 mm |
| 45° (höger och vänster) | 42 mm x 218 mm 58 mm x 197 mm | 68 mm x 218 mm 91 mm x 197 mm | 29 mm x 218 mm 43 mm x 197 mm |
| 60° (höger och vänster) | - | 68 mm x 155 mm 91 mm x 139 mm | - |

Kapningskapacitet för specialkapningar

| Typ av kapning | Kapningskapacitet |
|--|-------------------|
| Typ kronlist 45° (med stopp för kronlist) | 168 mm |
| Golvlist (med horisontaltving) | 133 mm |

- På grund av vårt pågående program för forskning och utveckling kan dessa specifikationer ändras utan föregående meddelande.
- Specifikationer och batterikassett kan variera mellan olika länder.
- Vikten kan variera beroende på tillbehören, inklusive batterikassett. Den lättaste och den tyngsta kombinationen enligt EPTA-procedur 01/2014 visas i tabellen.

Symboler

Följande visar symbolerna som används för utrustningen. Se till att du förstår innebörden innan du använder bormaskinen.



Läs igenom bruksanvisningen.



För att undvika skador från flygande materialrester, fortsätt att hålla ned såghuvudet efter att du har sågat färdigt, tills bladet har stannat helt.



Vid skjutsågning, dra först ut vagnen så långt som möjligt, tryck ned handtaget och skjut sedan vagnen mot anhället.



Håll inte handen eller fingrarna i närheten av sågbladet.



Titta aldrig in i laserstrålen. Laserstrålen kan skada dina ögon.



Endast för EU-länder
Elektrisk utrustning får inte kastas i hushållsavfallet! Enligt EU-direktivet som avser äldre elektrisk och elektronisk utrustning och dess tillämpning enligt nationell lagstiftning ska uttjänt elektrisk utrustning sorteras separat och lämnas till miljövänlig återvinning.

Avsedd användning

Maskinen är avsedd för exakt rak sågning och gerings-sågning i trä. Med lämpliga sågblad kan man även såga i aluminium.

Buller

Den normala bullernivån för A-belastning är bestämd enligt EN62841:

Model DLS110

Ljudtrycksnivå (L_{pA}): 92 dB (A)
Ljudeffektnivå (L_{WA}): 102 dB (A)
Måttolerans (K): 3 dB (A)

Model DLS111

Ljudtrycksnivå (L_{pA}): 92 dB (A)
Ljudeffektnivå (L_{WA}): 102 dB (A)
Måttolerans (K): 3 dB (A)

Model DLS112

Ljudtrycksnivå (L_{pA}): 92 dB (A)
Ljudeffektnivå (L_{WA}): 102 dB (A)
Måttolerans (K): 3 dB (A)

⚠ VARNING: Använd hörselskydd.

Vibration

Det totala vibrationsvärdet (treaxlad vektorsumma) bestämt enligt EN62841:

Model DLS110

Vibrationsemission (a_h): 2,5 m/s² eller lägre
Måttolerans (K): 1,5 m/s²

Model DLS111

Vibrationsemission (a_h): 2,5 m/s² eller lägre
Måttolerans (K): 1,5 m/s²

Model DLS112

Vibrationsemission (a_h): 2,5 m/s² eller lägre
Måttolerans (K): 1,5 m/s²

OBS: Det deklarerade vibrationsemissionsvärdet har uppmätts i enlighet med standardtestmetoden och kan användas för att jämföra en maskin med en annan.

OBS: Det deklarerade vibrationsemissionsvärdet kan också användas i en preliminär bedömning av exponering för vibration.

⚠ VARNING: Vibrationsemissionen under faktisk användning av maskinen kan skilja sig från det deklarerade emissionsvärdet, beroende på hur maskinen används.

⚠ VARNING: Var noga med att identifiera säkerhetsåtgärder för att skydda användaren, vilka är grundade på en uppskattning av graden av exponering för vibrationer under de faktiska användningsförhållandena, (ta, förutom avtryckartiden, med alla delar av användarcykeln i beräkningen, som till exempel tiden då maskinen är avstängd och när den går på tomgång).

EG-försäkringen om överensstämmelse

Gäller endast inom EU

EG-försäkringen om överensstämmelse inkluderas som bilaga A till denna bruksanvisning.

SÄKERHETSVARNINGAR

Allmänna säkerhetsvarningar för maskiner

⚠ VARNING: Läs alla säkerhetsvarningar, anvisningar, illustrationer och specifikationer som medföljer det här maskinen. Underlåtenhet att följa instruktionerna kan leda till elstötar, brand och/eller allvarliga personskador.

Spara alla varningar och instruktioner för framtida referens.

Termen "maskin" som anges i varningarna hänvisar till din eldrivna maskin (sladdansluten) eller batteridrivna maskin (sladdlös).

Säkerhetsinstruktioner för geringssågar

1. **Geringssågar är avsedda för att såga i trä eller träliknande material. De får inte användas med kapskivor för att kapa stål som stänger, armeringsjärn, nitar etc.** Abrasivt damm gör så att rörliga delar som det nedre skyddets fastnar. Gnistor från abrasivt kapande kommer att bränna det nedre skyddet, skärinsatsen och andra plastdelar.
2. **Använd klämmor när det är möjligt för att stöjda arbetsstycket. Om du håller arbetsstycket med händerna måste du alltid dem minst 100 mm från sågklingen. Använd inte denna såg för att såga ut bitar som är för små för att kunna klämmas fast ordentligt eller hållas säkert för hand.** Om din hand är placerad för nära sågklingen finns det en ökad risk för skada från kontakt med klingan.
3. **Arbetsstycket måste vara stationärt och fastklämt eller hållas mot både anhållet och bordet. Mata inte in arbetsstycket i klingan eller kapa på "fri hand" på något sätt.** Lösa eller rörliga arbetsstycken kan slungas ut med hög hastighet och orsaka skada.
4. **Tryck sågen genom arbetsstycket. Dra inte sågen genom arbetsstycket. För att kapa, lyft upp såghuvudet och dra ut det över arbetsstycket utan att kapa, starta motorn, tryck ner såghuvudet och tryck ner sågen genom arbetsstycket.** Om du sågar vid dragningen "klättrar" troligen sågklingen upp på arbetsstycket och kastar klingens kraft mot användaren.
5. **För aldrig händerna över den avsedda kaplinjen, varken framför eller bakom sågklingen.** Att stöjda arbetsstycket "korsvis" t.ex. genom att hålla arbetsstycket på höger sida med din vänstra hand eller vice versa är väldigt farligt.

► Fig.1

6. **Sträck inte in händerna bakom anhållet närmre än 100 mm på vardera sidan av sågklingan, varken för att ta bort träresten eller för några andra orsaker när klingan snurrar.** Närheten från den roterande sågklingan och din hand kanske inte är uppenbar och du kan skada dig allvarligt.
7. **Inspektera arbetsstycket innan kapning. Om arbetsstycket är böjt eller vridet, spänn fast det med den böjda sidan mot anhållet. Se alltid till att det inte finns något mellanrum mellan arbetsstycket, anhållet och bordet utmed såglinjen.** Böjda eller vrängda arbetsstycken kan vrida sig eller flyttas och göra så att den roterande sågklingan fastnar när du kapar. Det får inte finnas spikar eller främmande föremål i arbetsstycket.
8. **Använd inte sågen innan bordet är fritt från alla verktyg, träbitar mm., förutom arbetsstycket.** Små föremål eller lösa träbitar eller andra föremål som kommer i kontakt med den roterande klingan kan slungas iväg med hög hastighet.
9. **Kapa endast ett arbetsstycke i taget.** Flera arbetsstycken staplade på varandra kan inte klämmas fast/stötta ordentligt och kan göra så att klingan fastnar eller flyttas vid kapning.
10. **Se till att geringssågen är monterad eller placerad på en plan, stabil arbetsyta innan användning.** En plan och stabil arbetsyta minskar risken för att girsågen blir instabil.
11. **Planera ditt arbete. Varje gång du ändrar inställning på vinkeln eller geringssågen, se till att det justerbara anhållet är ordentligt inställt för att stödja arbetsstycket och inte stör med klingan eller skyddssystemet.** Utan att ställa verktyget i läge "PÅ" och utan arbetsstycke på bordet, förflytta sågklingan en komplett simulerad kapning för att säkerställa att inte anhållet stör eller risk föreligger att du säger i det.
12. **Applicera tillräckligt med stöd, som bordsförlängning, sågbock etc. för arbetsstycken som är längre eller bredare än bordsskivan.** Arbetsstycken som är längre eller bredare än geringssågens bord kan välta om de inte stöds ordentligt. Om den kapade delen eller arbetsstycket välter kan de lyfta det nedre skyddet eller slungas ut av den roterande klingan.
13. **Använd inte en annan person som ersättning för en bordsförlängning eller som extra stöd.** Ostabil stöd för arbetsstycket kan göra så att klingan fastnar eller så att arbetsstycket flyttas vid kapning, vilket kan dra både dig och den assisterande personen in i den roterande klingan.
14. **Den kapade delen får inte fastna eller tryckas mot den roterande sågklingan på något sätt.** Om den begränsas, t.ex. med längdstopp, kan den kapade delen fastna mot klingan och slungas kraftigt.
15. **Använd alltid en klämma eller skruvtving avsedd att korrekta stödja runda material som stänger eller rör.** Stänger har en tendens att rulla när de kapas vilket får bladet att "bita" och dra arbetsstycket med din hand in i klingan.
16. **Låt klingan uppnå full hastighet innan den kommer i kontakt med arbetsstycket.** Detta minskar risken för att arbetsstycket slungas iväg.
17. **Om arbetsstycket eller klingan fastnar, stäng av geringssågen. Vänta tills alla rörliga delar stannat och koppla från kontakten från strömkällan och/eller ta bort batteripaketet. Därefter kan du avlägsna det material som har fastnat.** Att fortsätta säga med ett arbetsstycke som har fastnat kan leda till förlust av kontroll eller skada på geringssågen.
18. **När du har kapat färdigt, släpp knappen, håll nere såghuvudet och vänta tills klingan har stannat innan du tar bort den kapade delen.** Att sträcka in handen nära den roterande klingan är farligt.
19. **Håll handtaget stadigt när du gör ett ofullständigt kap eller när du släpper knappen innan såghuvudet är hela vägen nere.** Sågens bromsfunktion kan leda till att såghuvudet plötsligt dras nedåt och orsaka skada.
20. **Använd endast sågklingor med den diameter som finns markerad på verktyget eller angeven i bruksanvisningen.** Om en klinga med fel storlek används kan det påverka klingans skydd eller skyddets funktion, vilket kan leda till allvarlig personskada.
21. **Använd endast sågblad som är märkta med ett maximalt varvtal som är lika med eller högre än varvtalet som är märkt på maskinen.**
22. **Använd inte sågen till annat än för sågning av trä, aluminium eller liknande material.**
23. **(endast för länder i Europa) Använd alltid blad som överensstämmer med EN847-1.**

Ytterligare instruktioner

1. **Barnsäkra arbetsplatsen med hängglås.**
2. **Stå aldrig på maskinen.** Allvarlig skada kan uppstå om maskinen välter eller om du oavsiktligt kommer i kontakt med skärverktyget.
3. **Lämna aldrig maskinen obebakad när den är igång. Bryt strömmen. Lämna inte maskinen förrän den har stannat helt.**
4. **Använd inte sågen om inte skydden är på plats. Kontrollera att klingskyddet är stängt före varje sågning. Använd inte sågen om klingskyddet kärvar och inte stängs omedelbart. Kila aldrig fast klingskyddet i öppet läge.**
5. **Håll händerna borta från sågklingans väg. Undvik kontakt med roterande sågklingor. De kan fortfarande orsaka allvarliga skador.**
6. **För att minska risken för skada ska vagnen föras tillbaka till den bakersta positionen efter varje tvärsågning.**
7. **Fäst alltid alla rörliga delar innan du bär maskinen.**
8. **Låspinnen som låser såghuvudet på plats är endast avsedd att användas vid förvaring eller transport och inte för sågning.**
9. **Kontrollera före användning att knivarna inte är spruckna eller skadade. Byt omedelbart ut en skadad eller sprucken kniv. Gummi- och trärestar på klingan hindrar sågningen och ökar risken för bakåtkast. Ta bort klingan från sågen och gör rent den med ett borttagningsmedel för gummi- och trärestar, varmt vatten och fotogen. Använd aldrig bensin för att göra rent klingan.**

10. Vid skjutsågning kan BAKÅTKAST ske. BAKÅTKAST sker när klingan fastnar i arbetsstycket vid sågning och sågklingan tvingas snabbt mot användaren. Detta kan leda till förlust av kontroll och allvarlig personskada. Om klingan börjar fastna vid sågning, fortsätt inte säga och släpp genast knappen.
 11. Använd endast flansar som är avsedda för den här maskinen.
 12. Var försiktig så att inte axeln, flansarna (särskilt monteringsytan) eller bulten skadas. Skador på någon av dessa delar kan medföra att bladet förstörs.
 13. Se till att bordet är ordentligt fäst, så att det inte rör sig under arbetet. Använd hälen i basen för att fästa sågen i en stabil arbetsplattform eller bänk. Använd ALDRIG maskinen om du måste stå i en obekväm position.
 14. Se till att spindellåset är öppet innan strömbrytaren slås på.
 15. Kontrollera att bladet inte vidrör bordet i dess lägsta position.
 16. Håll stadigt i handtaget. Var uppmärksam på att sågen rör sig något upp och ned under start och stopp.
 17. Se till att bladet inte är i kontakt med arbetsstycket innan du trycker på avtryckaren.
 18. Låt verktyget vara igång en stund innan det används på arbetsstycket. Kontrollera att bladet inte vibrerar eller skakar vilket kan innebära att det är felaktigt monterat eller dåligt balanserat.
 19. Stanna maskinen omedelbart om du lägger märke till något onormalt.
 20. Försök inte att låsa avtryckaren i läge "PÅ".
 21. Använd alltid de tillbehör som rekommenderas i denna bruksanvisning. Opassande tillbehör som till exempel sliprondeller kan orsaka skada om de används.
 22. Vissa material kan innehålla giftiga kemikalier. Se till att du inte andas in dammet eller får något på huden. Följ anvisningarna i leverantörens materialsäkerhetsblad.
- Ytterligare säkerhetsanvisningar för lasern
1. LASERSTRÅLNING, TITTA INTE DIREKT IN I STRÅLEN ELLER ANVÄND OPTISKA INSTRUMENT, KLASS 2M LASERPRODUKT.

SPARA DESSA ANVISNINGAR.

⚠ VARNING: GLÖM INTE att också fortsättningsvis strikt följa säkerhetsanvisningarna för maskinen även efter att du blivit van att använda den. Vid FELAKTIG HANTERING av maskinen eller om inte säkerhetsanvisningarna i denna bruksanvisning följs kan följden bli allvarliga personsador.

Viktiga säkerhetsanvisningar för batterikassetten

1. Innan batterikassetten används ska alla instruktioner och varningsmärken på (1) batteriladdaren, (2) batteriet och (3) produkten läsas.
2. Montera inte isär batterikassetten.
3. Om drifttiden blivit avsevärt kortare ska användningen avbrytas omedelbart. Det kan uppstå överhettning, brännskador och t o m en explosion.

4. Om du får elektrolyt i ögonen ska de sköljas med rent vatten och läkare uppsöks omedelbart. Det finns risk för att synen förloras.
5. Kortslut inte batterikassetten.
 - (1) Rör inte vid polerna med något strömförande material.
 - (2) Undvik att förvara batterikassetten tillsammans med andra metallobjekt som t.ex. spikar, mynt o.s.v.
 - (3) Skydda batteriet mot vatten och regn. En batterikortslutning kan orsaka ett stort strömflöde, överhettning, brand och maskinhaveri.
6. Förvara inte maskinen och batterikassetten på platser där temperaturen kan nå eller överstiga 50 °C.
7. Bränn inte upp batterikassetten även om den är svårt skadad eller helt utsliten. Batterikassetten kan explodera i öppen eld.
8. Var försiktig så att du inte råkar tappa batteriet och utsätt det inte för stötar.
9. Använd inte ett skadat batteri.
10. De medföljande litiumjonbatterierna är föremål för kraven i gällande lagstiftning för farligt gods. För kommersiella transporter (av t.ex. tredje parter som speditiönsfirmor) måste de särskilda transportkrav som anges på emballaget och etiketter iakttagas. För att förbereda den produkt som ska avsändas krävs att du konsulterar en expert på riskmaterial. Var också uppmärksam på att det i ditt land kan finnas ytterligare föreskrifter att följa. Tejpa över eller maskera blottade kontakter och packa batteriet på sådant sätt att det inte kan röra sig fritt i förpackningen.
11. Följ lokala föreskrifter beträffande avfallshandtering av batteriet.
12. Använd endast batterierna med de produkter som specificerats av Makita. Att använda batterierna med ej godkända produkter kan leda till brand, överdriven värme, explosion eller utläckande elektrolyt.

SPARA DESSA ANVISNINGAR.

⚠ FÖRSIKTIGT: Använda endast äkta Makita-batterier. Användning av oäkta Makita-batterier eller batterier som har manipulerats kan leda till person- och utrustningsskador eller till att batteriet fattar eld. Det upphäver också Makitas garanti för verktyget och laddaren.

Tips för att uppnå batteriets maximala livslängd

1. Ladda batterikassetten innan den är helt urladdad. Stanna alltid maskinen och ladda batterikassetten när du märker att maskinen blir svagare.
2. Ladda aldrig en fulladdad batterikasset. Överladdning förkortar batteriets livslängd.
3. Ladda batterikassetten vid en rumstemperatur på 10 °C - 40 °C. Låt en varm batterikasset svalna innan den laddas.
4. Ladda batterikassetten om du inte har använt den på länge (mer än sex månader).

Viktiga säkerhetsanvisningar för den trådlösa enheten

1. Montera inte isär eller manipulera den trådlösa enheten.
2. Förvara den trådlösa enheten utom räckhåll för barn. Om den råkar sväljas, sök omedelbart läkarhjälp.
3. Använd den trådlösa enheten endast ihop med Makita-verktyg.
4. Utsätt inte den trådlösa enheten för regn eller våta förhållanden.
5. Använd inte den trådlösa enheten på platser där temperaturen överstiger 50 °C.
6. Använd inte den trådlösa enheten på platser där medicinska instrument som pacemakers finns i närheten.
7. Använd inte den trådlösa enheten på platser där automatiska enheter finns i närheten. Om de är igång kan automatiska enheter utveckla funktionsstörningar eller fel.
8. Den trådlösa enheten kan alstra elektromagnetiska fält (EMF) men dessa är inte skadliga för användaren.
9. Den trådlösa enheten är ett noggrant instrument. Var försiktig så att du inte råkar tappa den trådlösa enheten eller utsätta den för stötar.
10. Undvik att vidröra den trådlösa enhetens terminal med bara händer eller metallmaterial.
11. Ta alltid bort batteriet på verktyget när du installerar den trådlösa enheten.
12. När du öppnar skårans lock, undvik då det ställe där damm och vatten kan komma in i skåran. Håll alltid skårans inlopp rent.
13. Sätt alltid in den trådlösa enheten i rätt riktning.
14. Tryck inte för hårt på knappen för trådlös aktivering på den trådlösa enheten, och tryck inte på knappen med ett föremål med vass kant.
15. Stäng alltid skårans lock vid körning.
16. Ta inte bort den trådlösa enheten från skåran medan ström tillförs till verktyget. Att göra det kan orsaka funktionsfel på den trådlösa enheten.
17. Ta inte bort dekalen på den trådlösa enheten.
18. Sätt inte någon dekal på den trådlösa enheten.
19. Lämna inte den trådlösa enheten någonstans där det kan skapas statisk elektricitet eller elektriskt brus.
20. Lämna inte den trådlösa enheten någonstans där den utsätts för hög värme, t.ex. en bil i solen.
21. Lämna inte den trådlösa enheten på ett dammigt eller pulvrigt ställe eller någonstans där korrosiv gas kan bildas.
22. Plötsliga temperaturförändringar kan göra den trådlösa enheten daggbestänkt. Använd inte den trådlösa enheten förrän dagen helt har torkat bort.
23. När den trådlösa enheten rengörs, torka den då med en torr mjuk duk. Använd inte tvättbensin, thinner, konduktivt fett eller liknande.
24. När den trådlösa enheten ska tas i förvar, ha den då i det tillhörande fodralet eller en behållare med skydd mot statisk laddning.
25. Sätt inte in några andra enheter än den trådlösa Makita-enheten i skåran på verktyget.
26. Använd inte verktyget om skårans lock är skadat. Det kan komma in vatten, damm och smuts i skåran som orsakar funktionsfel.
27. Dra eller vrid inte skårans lock mer än nödvändigt. Sätt tillbaka locket om det lossnar från verktyget.
28. Ersätt skårans lock om det går förlorat eller skadas.

SPARA DESSA ANVISNINGAR.

BESKRIVNING AV DELAR

► Fig.2

| | | | | | | | |
|----|---|----|---------------------------------|----|------------------------------|----|--|
| 1 | Skjutstång | 2 | Låstapp (för skjutning av vagn) | 3 | Vertikal tving | 4 | Frikopplingsknapp (för vinkel på höger sida) |
| 5 | Hållare | 6 | Geringsskiva | 7 | Pekare (för geringsvinkel) | 8 | Vinkel geringsskala |
| 9 | Spårbädd | 10 | Klinghölje | 11 | Justerskruv (för laserlinje) | 12 | Justerskruv, område (för laserlinje) |
| 13 | Bladskydd | 14 | Ratt (för vinkel) | 15 | Insexnyckel | 16 | Inställningsskruv (för nedre gränsläget) |
| 17 | Inställningsbult (för maximal sågningkapacitet) | 18 | Stopparm | 19 | Batterikassett | 20 | Säkerhetsspärr (för geringsskiva) |
| 21 | Frikopplingspak (för geringsskiva) | 22 | Handtag (för geringsskiva) | - | - | - | - |

► Fig.3

| | | | | | | | |
|----|--|----|----------------------------------|----|---------------------------|----|--|
| 1 | Avtryckare | 2 | Startspärr | 3 | Hål för hänglås | 4 | Lock (för trådlös enhet) (endast för DLS111) |
| 5 | Brytare (för laserlinje) (endast för DLS111, DLS112) | 6 | Batteriindikator | 7 | Lägesindikator | 8 | Kontrollknapp |
| 9 | Knapp för trådlös aktivering | 10 | Lampa för trådlös aktivering | 11 | Slang (för dammupsamling) | 12 | Låstapp (för upphöjning av vagn) |
| 13 | Anhåll (nedre anhåll) | 14 | Anhåll (övre anhåll) | 15 | Damppåse | 16 | 0° inställningsbult (för vinkel) |
| 17 | Vinkelskala | 18 | Frikopplingspak (för 48°-vinkel) | 19 | Spårreglage (för vinkel) | 20 | Pekare (för vinkel) |
| 21 | 45° inställningsbult (för vinkel) | - | - | - | - | - | - |

INSTALLATION

Installera handtaget

Skruva fast den gängade delen av gandtaget i geringsskivan.

► **Fig.4:** 1. Handtag 2. Geringsskiva

Montera slangen för dammupsamling

Anslut dammupsamlingsslangen till maskinen enligt bilden.

Se till att vinkleröret och hylsan passar ordentligt på maskinens öppning.

► **Fig.5:** 1. Dammupsamlings slang 2. Vinkelrör 3. Hylsa 4. Öppning

Bänkmontage

När maskinen levereras från fabriken är handtaget låst i nedsänkt läge av låstappen. Sänk handtaget lite, dra låstappen och vrid den 90°.

► **Fig.6:** 1. Låst position 2. Olåst position 3. Låstapp

Maskinen skall fästas på en plan och stabil yta med fyra bultar i de bulthål som finns i maskinens bottenplatta. Detta förhindrar att maskinen välter och orsakar skada.

► **Fig.7:** 1. Bult

⚠VARNING: Se till att maskinen inte kan röra sig på stödytan. Om geringssågen rör sig på stödytan medan du sågar kan det leda till att du tappar kontrollen över maskinen och att allvarlig personskada uppstår.

FUNKTIONSBESKRIVNING

⚠VARNING: Se alltid till att maskinen är avstängd och att batterikassetten är borttagen innan du justerar eller kontrollerar funktionerna på maskinen. Om du inte stänger av maskinen och tar bort batterikassetten kan maskinen oavsiktligt starta, vilket kan leda till allvarlig personskada.

Montera eller demontera batterikassetten

⚠FÖRSIKTIGT: Stäng alltid av maskinen innan du monterar eller tar bort batterikassetten.

⚠FÖRSIKTIGT: Håll stadigt i maskinen och batterikassetten när du monterar eller tar bort batterikassetten. I annat fall kan det leda till att de glider ur dina händer och orsakar skada på maskinen och batterikassetten samt personskada.

► **Fig.8:** 1. Röd indikator 2. Knapp 3. Batterikassett

Ta bort batterikassetten genom att skjuta ner knappen på kassetten framsida samtidigt som du drar ut batterikassetten.

Sätt i batterikassetten genom att rikta in tungan på batterikassetten mot spåret i höljet och skjut den på plats. Tryck in batterikassetten ordentligt tills den låser fast med ett klick. Om du kan se den röda indikatorn på knappens ovansida är den inte låst ordentligt.

⚠FÖRSIKTIGT: Sätt alltid i batterikassetten helt tills den röda indikatorn inte längre syns. I annat fall kan den oväntat falla ur maskinen och skada dig eller någon annan.

⚠FÖRSIKTIGT: Montera inte batterikassetten med våld. Om kassetten inte lätt glider på plats är den felinsatt.

OBS: Maskinen fungerar inte med endast en batterikassett.

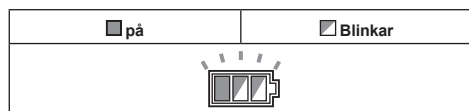
Skyddssystem för maskinen/ batteriet

Verktyget är utrustat med ett skyddssystem för verktyget/batteriet. Detta system bryter automatiskt strömmen till motorn för att förlänga verktygets och batteriets livslängd. Verktyget stoppar automatiskt under användningen om verktyget eller batteriet hamnar i en av följande situationer:

Överbelastningsskydd

Om maskinen används på ett sätt som gör att den drar onormalt mycket ström kan den stoppas automatiskt utan någon varning. När detta sker stänger du av maskinen och upphör med arbetet som gjorde att maskinen överbelastades. Starta därefter upp maskinen igen.

Överhettningsskydd



När maskinen blir överhettad stannar den av automatiskt och batteriindikatorn blinkar i cirka 60 sekunder. Låt maskinen svalna innan du startar den igen.

Överurladdningsskydd

När batteriets kapacitet är låg stoppar maskinen automatiskt. Om produkten inte fungerar trots att knapparna fungerar som de ska tar du bort batterierna från maskinen och laddar dem.

Indikerar kvarvarande batterikapacitet

► Fig.9: 1. Batteriindikator 2. Kontrollknapp

Tryck på kontrollknappen för att se kvarvarande batterikapacitet. Batteriindikeringarna motsvarar varje batteri.

| Batteriindikatorstatus | | | Kvarvarande batterikapacitet |
|--|-----------------------------|---|------------------------------|
| <input checked="" type="checkbox"/> På | <input type="checkbox"/> Av | <input checked="" type="checkbox"/> Blinkar | |
| | | | 50 % till 100 % |
| | | | 20 % till 50 % |
| | | | 0 % till 20 % |
| | | | Ladda batteriet |

Indikerar kvarvarande batterikapacitet

Endast för batterikassetter med indikator

► Fig.10: 1. Indikatorlampor 2. Kontrollknapp

Tryck på kontrollknappen på batterikassetten för att se kvarvarande batterikapacitet. Indikatorlamporna lyser i ett par sekunder.

| Indikatorlampor | | | Kvarvarande kapacitet |
|---|-----------------------------|---|---------------------------|
| <input checked="" type="checkbox"/> Upplyst | <input type="checkbox"/> Av | <input checked="" type="checkbox"/> Blinkar | |
| ■ | □ | ▣ | 75% till 100% |
| ■ | ■ | □ | 50% till 75% |
| ■ | □ | □ | 25% till 50% |
| ■ | □ | □ | 0% till 25% |
| ▣ | □ | □ | Ladda batteriet. |
| ■ | ■ | □ | Batteriet kan ha skadats. |
| □ | □ | ■ | |

OBS: Beroende på användningsförhållanden och den omgivande temperaturen kan indikationen skilja sig lätt från den faktiska batterikapaciteten.

Funktion för automatisk ändring av hastighet

► Fig.11: 1. Lägesindikator

| Lägesindikatorstatus | | Driftläge |
|-------------------------------------|--------------------------|--------------------------|
| <input checked="" type="radio"/> På | <input type="radio"/> Av | |
| | | Höghastighetsläge |
| | | Läge för högt vridmoment |

Maskinen har ett höghastighetsläge och ett läge för högt vridmoment. Den ändrar automatiskt driftläge beroende på arbetsbelastningen. När lägesindikatorn tänds under drift är maskinen i läget för högt vridmoment.

Bladskydd

► Fig.12: 1. Bladskydd

När handtaget sänks ned, höjs klingskyddet automatiskt. Klingskyddet är försett med en fjäder så att det går tillbaka till ursprungsläget när sågningen är avslutad och handtaget höjs.

⚠️ VARNING: Blockera aldrig eller avlägsna klingskyddet eller den fjäder som är fäst på skyddet. I annat fall kan det leda till allvarig personskada under användningen.

För din personliga säkerhet bör klingskyddet alltid hållas i gott skick. Om klingskyddet inte fungerar som det ska måste detta åtgärdas direkt. Kontrollera även att fjädern gör att klingskyddet går tillbaka.

⚠️ VARNING: Använd aldrig maskinen om klingskyddet eller fjädern är skadad, inte fungerar korrekt eller är borttagen. Att använda maskinen med ett skadat, trasigt eller demonterat skydd kan leda till allvarig personskada.

Om det genomskinliga klingskyddet blir smutsigt eller om sågspån fastnar på det så att klingan och/eller arbetsstycket inte syns bra, måste batterierna tas ur och skyddet rengöras noga med en fuktig trasa. Använd inte lösningsmedel eller petroleumbaserade rengöringsmedel då det skadar plasten i skyddet.

Om klingskyddet är så smutsigt att du inte kan se genom det, ta ur batterierna och lossa sexkantbulten som fäster mitthöljet med den medföljande nyckeln. Lossa sexkantbulten genom att vrida den moturs och lyft klingskyddet och mitthöljet. Med klingskyddet i detta läge är en mer noggrann och effektiv rengöring möjlig. När rengöringen är klar gör du i omvänd ordning och drar åt bulten. Ta inte bort det fjäderupphängda klingskyddet. Om klingskyddet blir missfärgat med tiden eller p.g.a. UV-ljus, kontaktar du ett av Makitas servicecenter för att få ett nytt klingskydd. KLINGSKYDDET FÅR ALDRIG BLOCKERAS ELLER TAS BORT.

► **Fig.13:** 1. Mitthölje 2. Insexnyckel 3. Bladskydd

Spårbäddar

Denna maskin är utrustad med spårbädden infälld i geringssskivan, för att göra slitaget vid utgången av sågningen så minimalt som möjligt. Spårbädden är fabriksinställd så att sågklingan inte kommer i kontakt med den. Ställ in spårbädden på följande sätt före användning:

► **Fig.14:** 1. Spårbädd

► **Fig.15:** 1. Vänster vinkelsåg 2. Rak vinkelsåg 3. Höger vinkelsåg 4. Sågklinga 5. Bladtänder 6. Spårbädd

Ta först bort batterierna. Lossa alla skruvar (2 på varje sida) som håller fast spårbäddarna tills de fortfarande kan flyttas enkelt för hand. Sänk ner handtaget helt och dra över låstappen för att fästa handtaget i det nedsänkta läget. Lossa låstappen på skjutstängens och dra vagnen helt mot dig. Justera spårbäddarna så att de precis vidrör sidorna på sågklingans tänder. Dra åt de främre skruvarna (dra inte åt hårt). Skjut vagnen helt mot anhället och justera spårbäddarna så att de precis lätt vidrör sidorna på klingans sågtänder. Dra åt de bakre skruvarna (dra inte åt hårt).

Dra ur låstappen och lyft handtaget efter att spårbäddarna justerats. Dra sedan åt alla skruvar ordentligt.

OBSERVERA: Försäkra dig om att spårbäddarna är korrekt justerade efter att du ställt in vinkeln för vinkelsågning. Korrekt justering av spårbäddarna ger ordentligt stöd för arbetsstycket och minimerar risken för att arbetsstycket nöts sönder.

Upprätthållande av maximal sågkapacitet

Denna maskin är fabriksinställd för maximal skärkapacitet för en 260 mm sågklinga.

När en ny klinga monteras måste klingans lägsta position alltid kontrolleras och om det är nödvändigt justeras enligt följande:

Ta först bort batterierna. Vrid spärrarmen till aktiverat läge.

► **Fig.16:** 1. Spärrarm

Tryck vagnen helt mot anhället och sänk handtaget helt och hållet.

Justera klingans position genom att vrida inställningsbulten med insexnyckeln. Klingans ytterkant ska vara lite nedanför geringssskivans ovansida samt där anhällets framsida möter geringssskivans ovansida.

► **Fig.17:** 1. Inställningsbult

► **Fig.18:** 1. Geringssskivans ovansida 2. Klingans ytterkant 3. Anhåll

Med batterierna borttagna ska du snurra klingan för hand, medan handtaget hålls ner fullständigt, och kontrollera att klingan inte kommer i kontakt med någon del av undre basplattan. Finjustera inställningen vid behov. För alltid tillbaka låsspaken till dess ursprungliga läge efter justeringen.

⚠️ VARNING: Efter monteringen av en ny klinga och med batterierna borttagna måste du alltid kontrollera att klingan inte går emot någon del av den undre basplattan när handtaget sänks ner helt. I annat fall kan det orsaka bakåtkast och resultera i allvarig personskada.

Stopparm

Den lägsta positionen för klingan kan enkelt justeras med stopparmen. Justera höjden genom att först vrida stopparmen i pilens riktning, såsom visas i figuren. Vrid inställningsskruven så att klingan stannar på önskat läge när maskinhandtaget sänks maximalt.

► **Fig.19:** 1. Stopparm 2. Inställningsskruv

Justering av geringsvinkeln

⚠️ FÖRSIKTIGT: Fäst alltid geringssskivan genom att dra åt handtaget ordentligt efter ändringen av geringsvinkeln.

OBSERVERA: Lyft handtaget maximalt när geringssskivan vrids.

► **Fig.20:** 1. Säkerhetsspärr 2. Handtag 3. Frikopplingsspak 4. Pekare

Rotera handtaget moturs för att låsa upp geringssskivan. Vrid handtaget samtidigt som du håller ner säkerhetsspärren för att vrida geringssskivan. Rikta in pekaren med önskad vinkel på skalan och dra därefter fast handtaget.

OBS: Om du trycker ner frikopplingsspaken kan du flytta geringssskivan utan att hålla ner säkerhetsspärren. Dra åt handtaget vid önskad position.

Denna geringssåg har en positiv stoppfunktion. Du kan snabbt ställa in 0°, 15°, 22,5°, 31,6°, 45° och 60° höger/vänster geringsvinkel. För att använda denna funktion, flytta geringsskivan nära önskat positiv stoppvinkel samtidigt som du håller ner säkerhetsspärren. Släpp därefter säkerhetsspärren och flytta geringsskivan framåt tills den är låst.

Justering av vinkeln vid vinkelsågning

OBSERVERA: Ta alltid bort de övre anhållen och det vertikala stödet innan du justerar vinkel.

OBSERVERA: Vid ändring av vinkeln för vinkelsågning måste spårbädden ställas in ordentligt såsom beskrivits i avsnittet "Spårbäddar".

OBSERVERA: Lyft handtaget maximalt när sågklingan lutas.

OBSERVERA: Dra inte åt ratten för hårt. Att göra det kan leda till felfunktion hos vinkelsågningens låsmekanism.

1. Vrid ratten på skjutstången moturs.
► **Fig.21:** 1. Ratt
2. Dra och vrid spärreglaget till positionen enligt bilden.
► **Fig.22:** 1. Spärreglage
3. Rikta in pekaren med önskad vinkel på skalan genom att flytta vagnen och dra därefter fast ratten.
► **Fig.23:** 1. Vinkelskala 2. Pekare

För att luta vagnen åt höger, ska du luta vagnen lätt åt vänster och därefter luta den åt höger samtidigt som du trycker ner frikopplingsknappen.

► **Fig.24:** 1. Frikopplingsknapp

Om du utför en vinkelsågning på mer än 45°, flytta vagnen samtidigt som du skjuter frikopplingsknappen mot maskinens front. Du kan utföra upp till 48° vinkelsågning.

► **Fig.25:** 1. Frikopplingsspak

Denna geringssåg har en positiv stoppfunktion. Du kan snabbt ställa in 22,5° och 33,9° vinkel åt både höger och vänster. Ställ in spärreglaget i positionen enligt bilden och luta vagnen. För att ändra vinkel, dra spärreglaget och luta vagnen.

► **Fig.26:** 1. Spärreglage

⚠ FÖRSIKTIGT: Dra alltid åt ratten efter ändringen av vinkeln.

Skjutlås

För att låsa vagnens skjutrörelse, tryck den mot anhålets tills den stannar. Dra i låstappen och rotera den 90°.

► **Fig.27:** 1. Olåst position 2. Låst position 3. Låstapp

Avtryckarens funktion

⚠ VARNING: Innan du monterar batterierna i maskinen ska du alltid kontrollera att avtryckaren fungerar och återgår till läget "OFF" när du släpper den. Tryck inte in avtryckaren hårt utan att ha tryckt in säkerhetsknappen. I annat fall kan avtryckaren skadas. Att använda en maskin med ett felaktigt säkerhetsgrepp kan leda till förlorad kontroll och allvarlig personskada.

⚠ VARNING: Använd ALDRIG maskinen om inte avtryckaren fungerar korrekt. Att använda maskinen när inte avtryckaren fungerar är MYCKET FARLIGT. Reparera den före fortsatt användning, eftersom det annars kan orsaka allvarlig personskada.

⚠ VARNING: Sätt ALDRIG säkerhetsknappens funktion ur spel genom att t.ex. tejpa fast den. I annat fall kan följden bli oavsiktlig aktivering och allvarlig personskada.

⚠ VARNING: Använd ALDRIG verktyget om det startar när du trycker in avtryckaren utan att ha tryckt in säkerhetsknappen. En säkerhetsknapp som behöver repareras kan orsaka oavsiktlig aktivering och allvarlig personskada. Returnera verktyget till ett Makita-servicecenter för reparation INNAN du fortsätter att använda det.

► **Fig.28:** 1. Avtryckare 2. Startspärr 3. Hål för hänglås

En startspärr förhindrar oavsiktlig aktivering av avtryckaren. Tryck in säkerhetsspärren och tryck därefter in avtryckaren för att starta maskinen. Släpp avtryckaren för att stoppa maskinen.

Avtryckaren är försedd med ett hål för insättning av ett hänglås för att låsa maskinen.

⚠ VARNING: Använd inte ett lås med en "nacke" eller kabel som är smalare än 6,35 mm (1/4") i diameter. En smalare "nacke" eller kabel låser eventuellt inte maskinen i off-läget och oavsiktlig aktivering kan uppstå vilket resulterar i allvarlig personskada.

Elektronisk funktion

Konstant hastighetskontroll

Maskinen är utrustad med en elektronisk hastighetskontroll vilken hjälper att upprätthålla en konstant rotationshastighet för klingan även under belastning. En konstant rotationshastighet av klingan ger ett mycket jämnt skär.

Mjukstartfunktion

Denna funktion ger en mjuk uppstart av maskinen genom att begränsa vridmomentet vid uppstarten.

Laserstrålens funktion

Endast för *DLS111*, *DLS112*

⚠ FÖRSIKTIGT: Titta aldrig in i laserstrålen.

Laserstrålen kan skada dina ögon.

Sätt på lasern genom att trycka upptill (I) på brytaren. Tryck ner till (O) på brytaren för att stänga av lasern.

► **Fig.29:** 1. Omkopplare för laser

Laserlinjen kan flyttas antingen till vänster eller till höger om sågklingan genom att justera inställningsskruven på följande sätt.

► **Fig.30:** 1. Inställningsskruv

1. Lossa inställningsskruven genom att skruva upp den moturs.
2. Medan inställningsskruven är lös skjut ut inställningsskruven till höger eller vänster så långt som möjligt.
3. Dra åt inställningsskruven ordentligt i det läge där den inte kan skjutas längre.

OBS: Laserlinsen är fabriksinställd så att den ligger inom 1 mm från sågklingans sida (sågposition).

OBS: När laserlinjen verkar oklar och är svår att se på grund av direkt solljus ska du byta till en mer skuggig arbetsplats.

Inriktning av laserlinje

Rikta in såglinjen i arbetsstycket längs laserlinjen.

► **Fig.31**

- A) När du vill erhålla korrekt storlek på vänster sida av arbetsstycket, växla laserlinjen till vänster sida av klingan.
- B) När du vill erhålla korrekt storlek på höger sida av arbetsstycket, växla laserlinjen till höger sida av klingan.

OBS: Använd träskoning mot anhållet när såglinjen riktas längs laserlinjen vid sidan om anhållet, vid kombinationssågning (vinkelsågning 45° och geringsvinkel höger 45°).

MONTERING

⚠ VARNING: Se alltid till att maskinen är avstängd och att batterikassetten är borttagen innan du utför arbete på maskinen. I annat fall kan det orsaka allvarlig personskada.

Förvaring av insexnyckel

Förvara insexnyckeln enligt figuren när den inte används, så att du alltid har den till hands.

► **Fig.32:** 1. Insexnyckel

Demontering och montering av sågklinga

⚠ VARNING: Se alltid till att maskinen är avstängd och att batterikassetten är borttagen innan du monterar eller tar bort sågklingan. Oavsiktligt start av maskinen kan leda till allvarlig personskada.

⚠ VARNING: Använd endast medföljande nyckel från Makita för att montera eller demontera sågklingan. Underlåtenhet att använda nyckeln kan leda till att insexbulten dras åt för mycket eller för lite vilket kan resultera i allvarlig personskada.

Läs alltid vagnen med upphöjd position när du demonterar och monterar sågklinga. Dra i låstappen och rotera den 90° med vagnen upphöjd.

► **Fig.33:** 1. Olåst position 2. Låst position 3. Låstapp

Demontera sågklinga

Lossa insexbulten som fäster mitthöljet med insexnyckeln. Lyft på klingskyddet och mitthöljet.

► **Fig.34:** 1. Mitthölje 2. Insexnyckel 3. Bladskydd

Tryck på spindellåset för att låsa spindeln och använd insexnyckeln för att lossa på insexbulten. Ta sedan bort insexbulten, den yttre flänsen och klingan.

► **Fig.35:** 1. Spindellås 2. Insexnyckel 3. Insexbult (vänstergångad) 4. Lossa 5. Dra åt

Montera sågklinga

Montera klingan försiktigt på spindeln och se till att riktningen på den pil som finns på klingans sida stämmer överens med pilens riktning på klinghöljet.

► **Fig.36:** 1. Pil på klinghöljet 2. Pil på klingan

Montera den yttre flänsen och insexbulten. Dra åt insexbulten moturs med hjälp av en insexnyckel samtidigt som du håller ner spindellåset.

► **Fig.37:** 1. Insexbult 2. Yttre fläns 3. Sågklinga 4. Inre fläns 5. Spindel 6. Ring

OBSERVERA: Om den inre flänsen tas bort, kontrollera att du sedan monterar den på spindeln med dess utskjutande del vänd bort från klingan. Om flänsen inte monteras korrekt kommer den att skava mot maskinen.

Sätt tillbaka klingskyddet och mitthöljet i dess ursprungliga läge. Dra sedan åt sexkantsbulten medurs för att fästa mitthöljet. Lås upp låstappen för att lossa vagnen från dess upphöjda position. Sänk ner handtaget för att försäkra dig om att klingskyddet fungerar som det ska. Kontrollera att spindellåset inte längre låser fast spindeln, innan du försöker såga.

⚠ VARNING: Innan klingan monteras på spindeln ska du alltid se till att korrekt insatsring för axelhålet på den klinga du ska använda, monteras mellan den inre och den yttre flänsen. Att använda fel insatsring för axelhålet kan leda till felaktig montering av klingan, vilket orsakar förflyttning av klingan och ger allvarliga vibrationer. Detta kan leda till att du förlorar kontrollen under användning, vilket kan orsaka allvarliga personskador.

Ansluta en dammsugare

Anslut en dammsugare från Makita till dammunstycket med de främre kopplingarna 24 (tillbehör) när du vill ha rent under sågningen.

- **Fig.38:** 1. Främre kopplingar 24 2. Slang
3. Dammsugare

Dampmpåse

Användning av en dampmpåse ger ett rent sågarbete och förenklar uppsamlingen av damm. För att ansluta dampmpåsen, ta bort dammuppsamlingsslangen på maskinen och anslut dampmpåsen.

- **Fig.39:** 1. Dammuppsamlings slang 2. Dampmpåse

Ta bort dampmpåsen från maskinen när den är cirka halvvoll och dra ut plastlåset. Töm dammsugarpåsen på dess innehåll och knacka på den lätt för att ta bort partiklar som har fastnat på insidan, vilka kan hindra fortsatt uppsamling.

- **Fig.40:** 1. Plastlås

Fastsättning av arbetsstycke

⚠ VARNING: Det är ytterst viktigt att alltid fästa arbetsstycket korrekt med rätt typ av tving eller kronliststopp. I annat fall kan det leda till allvarlig personskada och orsaka skada på maskinen och/eller arbetsstycket.

⚠ VARNING: Lyft aldrig klingan förrän den har stannat helt efter sågningen. I annat fall kan det leda till allvarlig personskada och skada på arbetsstycket.

⚠ VARNING: När du sågar ett arbetsstycke som är längre än sågens stödyta ska hela arbetsstycket stödjas, även den del som befinner sig utanför sågens stödyta, samt på samma höjd för att vara i nivå. Detta för att undvika att klingan nyper fast och ett eventuellt bakåtkast vilket kan leda till allvarlig personskada. Lita inte helt på att en vertikal och/eller horisontal tving ensam kan hålla fast arbetsstycket. Tunna material kan tyngas ner. Stötta hela arbetsstyckets längd för att undvika att klingan nyper fast och eventuellt orsakar ett BAKÅTKAST.

- **Fig.41:** 1. Stöd 2. Geringsskiva

Anhåll

⚠ VARNING: Kontrollera att det övre anhållet är ordentligt fäst innan du använder maskinen.

⚠ VARNING: Se till före vinkelsågningen att ingen del av maskinen, speciellt klingan, kommer i kontakt med de övre och de nedre anhållen när maskinhandtaget sänks ner eller höjs upp helt, eller när vagnen skjuts framåt eller dras bakåt hela vägen. Om maskinen eller klingan får kontakt med anhållet kan detta resultera i bakåtkast eller oöväntad rörelse av material och allvarlig personskada.

Använd de övre anhållen för att stödja material högre än de nedre anhållen. Sätt i det övre anhållet i hålen på de nedre anhållen och dra åt spännskruven.

- **Fig.42:** 1. Övre anhåll 2. Nedre anhåll
3. Spännskruv 4. Inställningsskruv

⚠ OBSERVERA: De nedre anhållen är fastsatta i basen på fabrik. Ta inte bort de nedre anhållen.

⚠ OBSERVERA: Om de övre anhållen fortfarande är lösa när du dragit fast spännskruven, vrid på inställningsskruven för att minska spelet. Inställningsskruven är fabriksinställd. Använd den inte om du inte måste.

Du kan förvara de övre anhållen i hållaren när de inte används. Använd clipset på det övre anhållet för att sätta fast det i hållaren.

- **Fig.43:** 1. Hållare 2. Övre anhåll 3. Clips

Vertikal tving

⚠ VARNING: Arbetsstycket måste fästas säkert mot geringsskivan och anhållet med tvingen under all användning. Om arbetsstycket inte är korrekt fastsatt mot anhållet kan arbetsstycket röra sig under sågarbetet och orsaka möjlig skada på klingan och att arbetsstycket kastas iväg samt att du förlorar kontroll över maskinen vilket leder till allvarlig personskada.

- **Fig.44:** 1. Tvingarm 2. Tvingens fäststav
3. Spännskruv 4. Tvingens ratt

Den vertikala tvingen kan monteras i två lägen på basen, antingen på vänster eller höger sida. Sätt i tvingens fäststav i hålet på basen.

Sätt tvingarmen i ett läge så att den passar till arbetsstyckets tjocklek och form och fäst den sedan genom att dra åt skruven. Om spännskruven kommer i kontakt med vagnen, måste den monteras på den andra sidan av tvingarmen. Se till att ingen del av maskinen kommer i kontakt med tvingen när maskinhandtaget sänks till sin lägsta position. Om någon del kommer i kontakt med tvingen monterar du om den.

Tryck arbetsstycket plant mot anhållet och geringsskivan. Placera arbetsstycket i önskat sågläge och fäst det stadigt genom att dra åt tvingens ratt.

OBS: För en snabb inställning av arbetsstycket, vrid ratten till 90° moturs för att kunna flytta tvingens ratt upp och ner. Vrid tvingens ratt medurs för att fästa arbetsstycket efter inställningen.

Horisontell tving

Valfria tillbehör

⚠ VARNING: Rotera alltid tvingmuttern medurs tills arbetsstycket är ordentligt fäst. I annat fall kan arbetsstycket röra sig under sågarbetet och orsaka möjlig skada på klingan och att arbetsstycket kastas iväg samt att du tappar kontrollen över maskinen, vilket kan leda till allvarlig personskada.

⚠ VARNING: Använd alltid den horisontala tvingen när du sågar ett tunt arbetsstycke, såsom golvlistor, mot anhållet.

Den horisontala tvingen kan monteras i två lägen, antingen på vänster eller höger sida av sågbordet. Vid geringssägning i 22,5° eller mer ska den horisontala tvingen monteras på motsatta sidan till den riktning i vilken geringsskivan skall vridas.

► **Fig.45:** 1. Tvingplatta 2. Tvingmutter 3. Tvingens ratt

Genom att vrida tvingmuttern moturs frigörs tvingen och kan snabbt flyttas inåt och utåt. För att fästa ett arbetsstycke trycker du tvingratten framåt tills tvingens platta kommer i kontakt med arbetsstycket och vrider sedan tvingmuttern medurs. Fäst sedan arbetsstycket genom att vrida tvingratten medurs.

OBS: Den maximala bredden på arbetsstycke som kan fästas med den horisontala tvingen är 228 mm.

Hållare

⚠ VARNING: Stöd alltid ett långt arbetsstycke så att det är på samma nivå som geringsskivans ovansida för att få ett exakt sågresultat och för att förhindra att du förlorar kontrollen över maskinen. Detta för att undvika att klingan nyper fast och ett eventuellt bakåtkast vilket kan leda till allvarlig personskada.

För att hålla fast långa arbetsstycken horisontellt sitter hållare på varje sida av maskinen. Lossa på skruvarna och förläng hållarna till lämplig längd för att hålla arbetsstycket. Dra sedan åt skruvarna.

► **Fig.46:** 1. Hållare 2. Skruv

ANVÄNDNING

⚠ VARNING: Kontrollera att klingan inte är i kontakt med arbetsstycket eller något annat innan sågen startas. I annat fall kan det leda till bakåtkast och allvarlig personskada.

⚠ VARNING: Lyft aldrig klingan förrän den har stannat helt efter sågningen. I annat fall kan det leda till allvarlig personskada och skada på arbetsstycket.

⚠ VARNING: Utför inga inställningar på maskinen som att vrida på handtag, ratt eller spakar när klingan roterar. Inställningar när klingan roterar kan leda till allvarliga personskador.

OBSERVERA: Se innan användning till att låsa upp låstappen och lossa handtaget från den nedre positionen.

OBSERVERA: Tryck inte för mycket på handtaget vid kapningen. Detta kan leda till att motorn överbelastas och/eller försämrad sågning. Tryck endast ner handtaget så mycket som behövs för att sågningen ska löpa smidigt utan att sågklingans hastighet minskar signifikant.

OBSERVERA: Tryck försiktigt ner handtaget för att såga. Om handtaget trycks ner hårt eller i sidled kommer klingan att vibrera vilket ger sågmärken i arbetsstycket samtidigt som sågprecisionen försämrar.

OBSERVERA: Vid skjutsågning skall vagnen försiktigt skjutas mot anhållet utan att stoppa. Om vagnens rörelser upphör under sågningen lämnas ett märke på arbetsstycket och precisionen i snittet minskar.

Sågning genom tryck

⚠ VARNING: Läs alltid vagnens skjutande rörelse när du utför sågning genom skjutning. Sågning utan att låsa kan leda till bakåtkast vilket kan orsaka allvarlig personskada som följd.

Arbetsstycken som är upp till 68 mm höga och 160 mm breda kan sågas på följande sätt.

► **Fig.47:** 1. Lästapp

1. Tryck vagnen mot anhållet tills den stannar och lås den med låstappen.
2. Fäst arbetsstycket med rätt sorts tving.
3. Starta maskinen utan att klingan har kontakt med arbetsstycket och vänta tills klingan har uppnått full hastighet innan du sänker den.
4. Sänk sedan handtaget försiktigt tills det har sänkts helt, för att såga arbetsstycket.
5. Stäng av maskinen när sågningen är avslutad och vänta tills klingan har stannat helt, innan klingan återförs till sitt helt uppfällda läge.

Sågning genom skjutning (sågning av breda arbetsstycken)

⚠ VARNING: Vid skjutsågning ska du först dra vagnen fullständigt mot dig och trycka ner handtaget till dess helt nedsänkta läge. Skjut sedan vagnen mot anhållet. Börja aldrig sågningen om vagnen inte är dragen fullständigt mot dig. Om skjutsågning utförs utan att du dragit vagnen helt mot dig kan ett bakåtkast uppstå med risk för allvarlig personskada.

⚠ VARNING: Försök aldrig att utföra en skjutsågning genom att dra vagnen mot dig. Att dra vagnen mot dig medan du sågar kan orsaka bakåtkast vilket resulterar i möjlig personskada.

⚠ VARNING: Utför aldrig skjutsågning med handtaget låst i det nedsänkta läget.

► **Fig.48:** 1. Lästapp

1. Lås upp låstappen så att vagnen kan skjutas fritt.
2. Fäst arbetsstycket med rätt sorts tving.
3. Dra vagnen mot dig helt och hållet.
4. Starta maskinen utan att klingan vidrör arbetsstycket och vänta tills klingan uppnår full hastighet.
5. Tryck ner handtaget och skjut vagnen mot anhållet och genom arbetsstycket.
6. Stäng av maskinen när sågningen är avslutad och vänta tills klingan har stannat helt, innan klingan återförs till sitt helt uppfällda läge.

Geringssågning

Se avsnittet "Inställning av geringsvinkeln" som förklarats tidigare.

Vinkelsågning

⚠ VARNING: Efter inställning av klingan för vinkelsågning och innan du börjar arbeta med maskinen, ska du se till att vagnen och klingan har fri väg genom hela skäret. Vagns- eller klingavbrott under sågningen kan orsaka bakåtkast och allvarig personskada.

⚠ VARNING: Håll händerna borta från klingans såglinje när du utför en vinkelsågning. Klingans vinkel och den verkliga såglinjen kan förvirra användaren under sågningen och kontakt med klingan orsakar allvarig personskada.

⚠ VARNING: Klingan ska aldrig lyftas förrän den har stannat helt. Under vinkelsågning kan det avsågade stycket ligga kvar mot klingan. Om klingan lyfts upp medan den roterar kan det avsågade stycket kastas ut av klingan och orsaka att material fragmenteras vilket kan resultera i allvarig personskada.

OBSERVERA: När du trycker ner handtaget ska du trycka i samma riktning som klingan lutar. Om tryck appliceras vinkelrätt mot geringssskivan eller om tryckets riktning ändras under pågående sågning minskar precisionen i sågningen.

► Fig.49

1. Ta bort det övre anhället på den sida som du ska luta vagnen.
2. Lås upp låstappen.
3. Ställ in vinkeln enligt proceduren kallad "Justering av vinkeln vid vinkelsågning". Dra sedan åt ratten.
4. Fäst arbetsstycket med en tving.
5. Dra vagnen mot dig helt och hållet.
6. Starta maskinen utan att klingan vidrör arbetsstycket och vänta tills klingan uppnår full hastighet.
7. Sänk sedan handtaget försiktigt till dess helt nedsänkta läge medan tryck parallellt med klingan appliceras och **skjut vagnen mot anhället för att såga arbetsstycket**.
8. Stäng av maskinen när sågningen är avslutad och **vänta tills klingan har stannat helt**, innan klingan återförs till sitt helt uppfällda läge.

Kombinationssågning

Kombinationssågning är en process där vinkelsågning utförs i kombination med att en geringsvinkel sågas i ett arbetsstycke. Kombinationsågning kan utföras vid vinkel som visas i tabellen nedan.

| Geringsvinkel | Vinkel för vinkelsågning |
|----------------------------|----------------------------|
| Vänster och höger 0° - 45° | Vänster och höger 0° - 45° |

Se avsnitten "Sågning genom tryck", "Sågning genom skjutning", "Geringsågning" och "Vinkelsågning" när du vill utföra kombinationssågning.

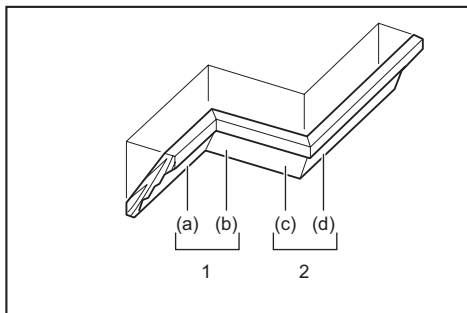
Sågning av kron- och hållister

Kron- och hållister kan sågas på en kap- och geringskombinationssåg med listerna placerade plant på geringssskivan.

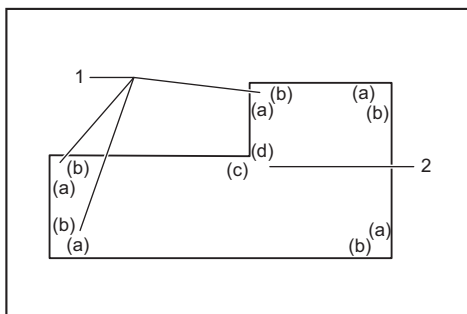
Det finns två vanliga sorter av kronlister och en sort av hållist; 52/38° väggvinklad kronlist, 45° väggvinklad kronlist och 45° väggvinklad hållist.

- **Fig.50:** 1. Kronlist med 52/38° 2. Kronlist med 45° 3. Hållist med 45°

Det finns kron- och hållistskarvar som är gjorda för att passa på "insidan" av 90° hörn ((a) och (b) i figuren) och "utsidan" av 90° hörn ((c) och (d) i figuren).



1. På insida av hörn 2. På utsida av hörn



1. På insida av hörn 2. På utsida av hörn

Mätning

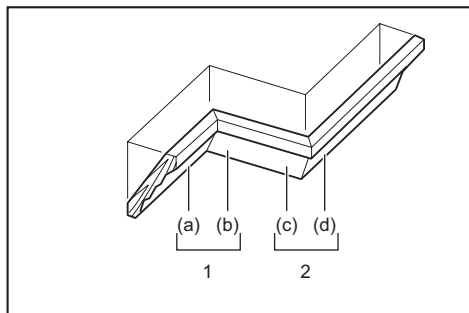
Mät väggens bredd och justera arbetsstyckets bredd enligt den. Se alltid till att bredden på arbetsstyckets väggkontaktyta är lika lång som väggens bredd.

- **Fig.51:** 1. Arbetsstycke 2. Väggens bredd 3. Arbetsstyckets bredd 4. Väggkontaktyta

Använd alltid flera bitar för testsågning för att kontrollera sågvinkeln.

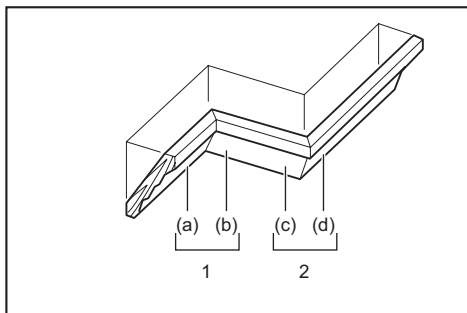
Vid sågning av kron- och hållister ska vinkeln för vinkelsågning och geringsvinkeln ställas in såsom anges i tabell (A) och listerna placeras på sågbordet såsom visas i tabell (B).

Vid vänsterställd vinkelsågning



1. På insida av hörn 2. På utsida av hörn

Vid högerställd vinkelsågning



1. På insida av hörn 2. På utsida av hörn

Tabell (A)

| – | Listposition i figuren | Vinkel för vinkelsågning | | Geringsvinkel | |
|---------------------|------------------------|--------------------------|----------------|------------------|------------------|
| | | 52/38°-typ | 45°-typ | 52/38°-typ | 45°-typ |
| För insida av hörn | (a) | Vänster 33,9° | Vänster 30° | Höger 31,6° | Höger 35,3° |
| | (b) | | | Vänster 31,6° | Vänster 35,3° |
| För utsidan av hörn | (c) | | | Höger 31,6° | Höger 35,3° |
| | (d) | | | Höger 31,6° | Höger 35,3° |

Tabell (A)

| – | Listposition i figuren | Vinkel för vinkelsågning | | Geringsvinkel | |
|---------------------|------------------------|--------------------------|--------------|------------------|------------------|
| | | 52/38°-typ | 45°-typ | 52/38°-typ | 45°-typ |
| För insida av hörn | (a) | Höger 33,9° | Höger 30° | Höger 31,6° | Höger 35,3° |
| | (b) | | | Vänster 31,6° | Vänster 35,3° |
| För utsidan av hörn | (c) | | | Höger 31,6° | Höger 35,3° |
| | (d) | | | Höger 31,6° | Höger 35,3° |

Tabell (B)

| – | Listposition i figuren | Listkant mot anhåll | Färdigt stycke |
|---------------------|------------------------|--|--|
| För insida av hörn | (a) | Takkontaktyta bör ligga mot anhållet. | Det färdiga arbetsstycket hamnar på vänster sida om klingan. |
| | (b) | Väggkontaktyta bör ligga mot anhållet. | Det färdiga arbetsstycket hamnar på höger sida om klingan. |
| För utsidan av hörn | (c) | Takkontaktyta bör ligga mot anhållet. | Det färdiga arbetsstycket hamnar på vänster sida om klingan. |
| | (d) | Väggkontaktyta bör ligga mot anhållet. | Det färdiga arbetsstycket hamnar på höger sida om klingan. |

Tabell (B)

| – | Listposition i figuren | Listkant mot anhåll | Färdigt stycke |
|---------------------|------------------------|--|--|
| För insida av hörn | (a) | Väggkontaktyta bör ligga mot anhållet. | Det färdiga arbetsstycket hamnar på höger sida om klingan. |
| | (b) | Takkontaktyta bör ligga mot anhållet. | Det färdiga arbetsstycket hamnar på vänster sida om klingan. |
| För utsidan av hörn | (c) | Väggkontaktyta bör ligga mot anhållet. | Det färdiga arbetsstycket hamnar på höger sida om klingan. |
| | (d) | Takkontaktyta bör ligga mot anhållet. | Det färdiga arbetsstycket hamnar på vänster sida om klingan. |

Exempel:

Vid sågning av kronlist med 52/38° för position (a) i figuren ovan:

- Luta och fäst vinkeln vid 33,9° LEFT (VÄNSTER).
- Justera och fäst geringsvinkeln vid 31,6° RIGHT (HÖGER).
- Lägg kronlisten med dess breda baksida (dold) ner mot geringssskivan med TAKKANTEN mot anhållet på sågen.
- Den färdiga biten som ska användas är alltid på VÄNSTER sida om klingan efter det att sågningen är avslutad.

Exempel:

Vid sågning av kronlist med 52/38° för position (a) i figuren ovan:

- luta och fäst vinkeln vid 33,9° HÖGER.
- Justera och fäst geringsvinkeln vid 31,6° RIGHT (HÖGER).
- Lägg kronlisten med dess breda baksida (dold) ner mot geringssskivan med VÄGGKONTAKTYTA mot anhållet på sågen.
- Den färdiga biten som ska användas är alltid på HÖGER sida om klingan efter det att sågningen är avslutad.

Kronliststopp

Valfria tillbehör

Kronliststopp underlättar sågningen av kronlister utan att sågklingan måste luta. Montera dem på geringssskivan, såsom visas i figurerna.

Vid högerställd 45° geringsvinkel

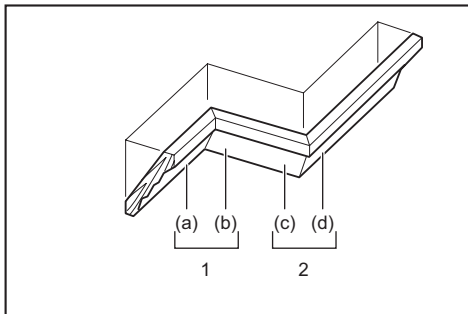
- **Fig.52:** 1. Kronliststopp V 2. Kronliststopp H
3. Geringssskiva 4. Anhåll

Vid vänsterställd 45° geringsvinkel

- **Fig.53:** 1. Kronliststopp V 2. Kronliststopp H
3. Geringssskiva 4. Anhåll

Placera kronlisten med dess VÄGGKONTAKTYTA mot anhållet och dess TAKKANT mot kronliststoppen, såsom visas i figuren. Justera kronliststoppen enligt kronlistens storlek. Dra åt skruvarna för att fästa kronliststoppen. Se tabell (C) för geringsvinkeln.

- **Fig.54:** 1. Anhåll 2. Kronliststopp



1. På insida av hörn 2. På utsida av hörn

Tabell (C)

| – | Listposition i figuren | Geringsvinkel | Färdigt stycke |
|---------------------|------------------------|---------------|-------------------------------------|
| För insida av hörn | (a) | Höger 45° | Spara delen till höger om klingan |
| | (b) | Vänster 45° | Spara delen till vänster om klingan |
| För utsidan av hörn | (c) | Höger 45° | Spara delen till höger om klingan |
| | (d) | | Spara delen till vänster om klingan |

Sågning av aluminiumstycken

- **Fig.55:** 1. Tving 2. Distanskloss 3. Anhåll
4. Aluminiumstycke 5. Distanskloss

Använd klossar eller träbitar när ett aluminiumstycke skall fästas, såsom visas i figuren, för att förhindra att aluminiumstycket deformeras. Använd sågolja vid sågningen i aluminium, för att förhindra att aluminiummaterialet fastnar och lagras på klingan.

⚠ VARNING: Försök aldrig såga tjocka eller runda aluminiumstycken. Tjocka eller runda aluminiumstycken kan vara svåra att fästa och kan lossa under arbetet vilket kan leda till att du tappar kontrollen över maskinen och allvarlig skada uppstår.

Spårsågning

⚠ VARNING: Försök inte utföra denna typ av sågning genom att använda en bredare (tjockare) klinga eller en dadoklinga. I annat fall kan det leda till oväntade sågresultat och möjligt bakåtkast vilket kan resultera i allvarlig personskada.

⚠ VARNING: Se noga till att stopparmen återförs till det ursprungliga läget vid annan sågning än spårsågning. Att försöka såga med stopparmen i fel läge kan leda till oväntade sågresultat och bakåtkast vilket kan resultera i allvarlig personskada.

Gör följande för sågning med dadoklinga:

1. Justera klingans lägsta position genom att vrida på inställningskraven och stopparmen för att ställa in klingans sågdjup. Se avsnittet "Stopparm" som beskrivits tidigare.
2. Såga parallella spår tvärs över arbetsstyckets hela bredd genom skjutsågning (trycksågning), efter att klingans nedre gränsläge justerats.
► **Fig.56:** 1. Fräs spår med klingan
3. Avlägsna sedanmaterialet mellan spårerna på arbetsstycket med ett stämjärn.

Bära maskinen

Innan du flyttar den måste du ta ur batterierna och se till att alla rörliga delar på geringssågen är fastsatta. Kontrollera alltid följande:

- Batterierna är urtagna.
- Att vagnen är i 0° vinkel och säkrad.
- Att vagnen är nedsänkt och låst.
- Att vagnen är helt skjuten mot anhållet och låst.
- Att geringssskivan är mot den högra geringsvinkeln och säkrad.
- Att hållarna är i förvaringen och säkrade.

Bär maskinen genom att hålla i båda sidorna av sågbordet, såsom visas i figuren.

- **Fig.57**

⚠ VARNING: Låstappen för upphöjning av vagnen används endast när maskinen ska bäras och förvaras och inte när sågning utförs. Att använda låstappen vid sågarbeten kan leda till oavsiktlig rörelse av sågklingan vilket orsakar bakåtkast och allvarlig personskada.

⚠ FÖRSIKTIGT: Fäst alltid alla rörliga delar innan du bär maskinen. Om delar av maskinen rör sig eller glider medan du bär den kan du förlora kontrollen eller balansen över maskinen vilket kan leda till personskada.

FUNKTION FÖR TRÅDLÖS AKTIVERING

Endast för **DLS111**

Vad du kan göra med funktionen för trådlös aktivering

Funktionen för trådlös aktivering möjliggör en ren och bekväm körning. Genom att ansluta en dammsugare som stöds till verktyget, kan du göra så att dammsugaren automatiskt körs samtidigt som du använder verktygets knappfunktion.

► **Fig.58**

Gör i ordning följande artiklar för att använda funktionen för trådlös aktivering:

- En trådlös enhet
- En dammsugare som har stöd för funktionen för trådlös aktivering

Översikten över inställningen av funktionen för trådlös aktivering är följande. Se detaljerade rutiner i varje avsnitt.

1. Installera den trådlösa enheten
2. Verktygsregistrering för dammsugaren
3. Starta funktionen för trådlös aktivering

Installera den trådlösa enheten

⚠ FÖRSIKTIGT: Placera verktyget på en platt och stabil yta när den trådlösa enheten installeras.

OBSERVERA: Rensa bort damm och smuts från verktyget innan den trådlösa enheten installeras. Damm eller smuts kan orsaka funktionsfel om det kommer in i skåran på den trådlösa enheten.

OBSERVERA: För att förebygga funktionsfel till följd av statisk laddning vidrör du ett statiskt urladdande material, t.ex. en metalldel på verktyget, innan du plockar upp den trådlösa enheten.

OBSERVERA: Se alltid till när du installerar den trådlösa enheten att den är insatt i rätt riktning och att locket är helt stängt.

1. Öppna locket på verktyget enligt figuren.

► **Fig.59:** 1. Lucka

2. Sätt in den trådlösa enheten i skåran och stäng sedan locket.

När du sätter in den trådlösa enheten, passa då in de utskjutande delarna med de insänkta delarna i skåran.

► **Fig.60:** 1. Trådlös enhet 2. Utskjutande del 3. Lucka 4. Insänkt del

Öppna locket långsamt när du tar bort den trådlösa enheten. Krokarna på lockets baksida lyfter den trådlösa enheten när du drar upp locket.

► **Fig.61:** 1. Trådlös enhet 2. Krok 3. Lucka

När den trådlösa enheten tagits bort, ha den då i det tillhörande fodralet eller en behållare med skydd mot statisk laddning.

OBSERVERA: Använd alltid krokarna på lockets baksida när du tar bort den trådlösa enheten. Om krokarna inte fångar upp den trådlösa enheten, stänger du locket helt och öppnar det långsamt igen.

Verktygsregistrering för dammsugaren

OBS: För verktygsregistreringen krävs en Makita-dammsugare som har stöd för den trådlösa aktiveringsfunktionen.

OBS: Avsluta installationen av den trådlösa enheten till verktyget innan du inleder verktygsregistreringen.

OBS: Använd inte avtryckaren under verktygsregistreringen och vrid inte på strömbrytaren på dammsugaren.

OBS: Se också bruksanvisningen för dammsugaren.

Om du vill aktivera dammsugaren tillsammans med verktygets knappfunktion, ska du slutföra verktygsregistreringen i förväg.

1. Installera batterierna till dammsugaren och verktyget.

2. Sätt dammsugarens stand-by-omkopplare på "AUTO".

► **Fig.62:** 1. Stand-by-omkopplare

3. Tryck på knappen för trådlös aktivering på dammsugaren i 3 sekunder tills lampan för trådlös aktivering blinkar grönt. Tryck sedan på knappen för trådlös aktivering på verktyget på samma sätt.

► **Fig.63:** 1. Knapp för trådlös aktivering 2. Lampa för trådlös aktivering

Om dammsugaren och verktyget har kopplats ihop ordentligt, kommer lamporna för trådlös aktivering att lysa grönt i 2 sekunder och börja blinka i blått.

OBS: Lamporna för trådlös aktivering slutar blinka grönt efter att 20 sekunder har gått. Tryck på knappen för trådlös aktivering på maskinen när lampan för trådlös aktivering på dammsugaren blinkar. Om lampan för trådlös aktivering inte blinkar grönt, trycker du kort på knappen för trådlös aktivering och håller in den igen.

OBS: När du utför två eller flera verktygsregistreringar för en dammsugare avslutar du verktygsregistreringarna en och en.

Starta funktionen för trådlös aktivering

OBS: Avsluta verktygsregistreringen för dammsugaren före den trådlösa aktiveringen.

OBS: Se också bruksanvisningen för dammsugaren.

Efter att ett verktyg registrerats till dammsugaren kommer den att köras automatiskt tillsammans med verktygets knappfunktion.

1. Installera den trådlösa enheten till verktyget.
2. Anslut dammsugarsslangen till verktyget.

► **Fig.64**

3. Sätt dammsugarens stand-by-omkopplare på "AUTO".

► **Fig.65:** 1. Stand-by-omkopplare

4. Tryck kort på knappen för trådlös aktivering på verktyget. Lampan för trådlös aktivering blinkar blått.
 ► **Fig.66:** 1. Knapp för trådlös aktivering 2. Lampan för trådlös aktivering

5. Tryck på verktygets avtryckare. Kontrollera om dammsugaren är igång medan avtryckaren är intryckt. För att stoppa den trådlösa aktiveringen av dammsugaren trycker du på knappen för trådlös aktivering på verktyget.

OBS: Lampan för trådlös aktivering på verktyget slutar blinka blått när ingen användning har skett på 2 timmar. Sätt i så fall standby-omkopplaren på dammsugaren på "AUTO" och tryck igen på knappen för trådlös aktivering på verktyget.

OBS: Dammsugaren startar/stannar med en fördröjning. Det blir en tidsfördröjning när dammsugaren känner av en knappfunktion från verktyget.

OBS: Sändningsavståndet till den trådlösa enheten kan variera beroende på plats och omständigheter i omgivningen.

OBS: När två eller flera verktyg är registrerade till en dammsugare, kan dammsugaren gå igång även om du inte trycker på avtryckaren eftersom en annan användare använder funktionen för trådlös aktivering.

Beskrivning av status för lampan för trådlös aktivering

- **Fig.67:** 1. Lampan för trådlös aktivering

Lampan för trådlös aktivering visar status för den trådlösa aktiveringsfunktionen. Se innebörden av lampans status i tabellen nedan.

| Status | Lampa för trådlös aktivering | | | | Beskrivning |
|------------------------------|------------------------------|-------------------------------------|----------------------------------|-------------------------|--|
| | Färg | <input type="checkbox"/> På | <input type="checkbox"/> Blinkar | Varaktighetstid | |
| Standby | Blå | <input checked="" type="checkbox"/> | | 2 timmar | Den trådlösa aktiveringen av dammsugaren är tillgänglig. Lampan släcks automatiskt när ingen användning har ägt rum på 2 timmar. |
| | | <input type="checkbox"/> | | När verktyget är igång. | Den trådlösa aktiveringen av dammsugaren är tillgänglig och verktyget är igång. |
| Verktysregistrering | Grön | <input checked="" type="checkbox"/> | | 20 sekunder | Redo för verktysregistrering. Väntar på registrering från dammsugaren. |
| | | <input type="checkbox"/> | | 2 sekunder | Verktysregistreringen har avslutats. Lampan för trådlös aktivering börjar blinka blått. |
| Upphåver verktysregistrering | Röd | <input checked="" type="checkbox"/> | | 20 sekunder | Redo för att upphäva verktysregistreringen. Väntar på upphävande från dammsugaren. |
| | | <input type="checkbox"/> | | 2 sekunder | Upphävandet av verktysregistreringen har avslutats. Lampan för trådlös aktivering börjar blinka blått. |
| Övriga | Röd | <input type="checkbox"/> | | 3 sekunder | Ström tillförs till den trådlösa enheten och funktionen för trådlös aktivering startar. |
| | Av | - | | - | Den trådlösa aktiveringen av dammsugaren stoppas. |

Upphåver verktysregistrering för dammsugaren

Utför följande rutin vid upphävande av verktysregistreringen för dammsugaren.

1. Installera batterierna till dammsugaren och verktyget.
2. Sätt dammsugarens stand-by-omkopplare på "AUTO".

- **Fig.68:** 1. Stand-by-omkopplare

3. Tryck på knappen för trådlös aktivering på dammsugaren i 6 sekunder. Lampan för trådlös aktivering blinkar grönt och blir sedan röd. Tryck sedan på knappen för trådlös aktivering på verktyget på samma sätt.

- **Fig.69:** 1. Knapp för trådlös aktivering 2. Lampan för trådlös aktivering

Om upphävandet har utförts ordentligt, kommer lamporna för trådlös aktivering att lysa rött i 2 sekunder och börja blinka i blått.

OBS: Lamporna för trådlös aktivering slutar blinka rött efter att 20 sekunder har gått. Tryck på knappen för trådlös aktivering på maskinen när lampan för trådlös aktivering på dammsugaren blinkar. Om lampan för trådlös aktivering inte blinkar rött, trycker du kort på knappen för trådlös aktivering och håller in den igen.

Felsökning för funktionen för trådlös aktivering

Innan du ber om reparation ska du först utföra en egen kontroll. Om du hittar ett problem som inte finns förklarat i bruksanvisningen ska du inte försöka att ta isär maskinen. Fråga istället ett auktoriserad servicecenter för Makita, och använd alltid reservdelar från Makita för reparationer.

| Feltillstånd | Trolig orsak (felfunktion) | Åtgärd |
|---|---|--|
| Lampan för trådlös aktivering lyser/ blinkar inte. | Den trådlösa enheten är inte installerad till verktyget. Den trådlösa enheten är felaktigt installerad till verktyget. | Installera den trådlösa enheten korrekt. |
| | Den trådlösa enhetens kontakt och/eller skåran är smutsig. | Torka försiktigt av damm och smuts på den trådlösa enhetens kontakt och rengör skåran. |
| | Knappen för trådlös aktivering på verktyget har inte tryckts. | Tryck kort på knappen för trådlös aktivering på verktyget. |
| | Stand-by-omkopplaren på dammsugaren är inte satt på "AUTO". | Sätt dammsugarens stand-by-omkopplare på "AUTO". |
| | Ingen strömtillförsel | Koppla in ström till verktyget och dammsugaren. |
| Kan inte avsluta verktygsregistrering/ upphäva verktygsregistrering. | Den trådlösa enheten är inte installerad till verktyget. Den trådlösa enheten är felaktigt installerad till verktyget. | Installera den trådlösa enheten korrekt. |
| | Den trådlösa enhetens kontakt och/eller skåran är smutsig. | Torka försiktigt av damm och smuts på den trådlösa enhetens kontakt och rengör skåran. |
| | Stand-by-omkopplaren på dammsugaren är inte satt på "AUTO". | Sätt dammsugarens stand-by-omkopplare på "AUTO". |
| | Ingen strömtillförsel | Koppla in ström till verktyget och dammsugaren. |
| | Felaktig funktion | Tryck kort på knappen för trådlös aktivering och utför rutinerna för verktygsregistrering/-upphävande igen. |
| | Verktyget och dammsugaren är åtskilda från varandra (utanför sändningsområdet). | Se till att verktyget och dammsugaren hamnar närmare varandra. Det maximala sändningsavståndet är ca 10 m, men det kan variera beroende på omständigheterna. |
| | Innan verktygsregistreringen/-upphävandet avslutas: - tryck på avtryckaren på verktyget, - sätt på strömknappen på dammsugaren. | Tryck kort på knappen för trådlös aktivering och utför rutinerna för verktygsregistrering/-upphävande igen. |
| | Verktygsregistreringsrutinerna för verktyget eller dammsugaren har inte slutförts. | Utför verktygsregistreringsrutinerna för både verktyget och dammsugaren på samma gång. |
| Radiostörningar från andra apparater som skapar högtintensiva radiovågor. | Håll verktyget och dammsugaren borta från apparater som WiFi-enheter och mikrovågsugnar. | |

| Feltillstånd | Trolig orsak (felfunktion) | Åtgärd |
|--|---|--|
| Damsugaren är inte igång samtidigt som verktygets knappfunktion. | Den trådlösa enheten är inte installerad till verktyget. Den trådlösa enheten är felaktigt installerad till verktyget. | Installera den trådlösa enheten korrekt. |
| | Den trådlösa enhetens kontakt och/eller skåran är smutsig. | Torka försiktigt av damm och smuts på den trådlösa enhetens kontakt och rengör skåran. |
| | Knappen för trådlös aktivering på verktyget har inte tryckts. | Tryck kort på knappen för trådlös aktivering och försäkra dig om att lampan för trådlös aktivering blinkar blått. |
| | Stand-by-omkopplaren på dammsugaren är inte satt på "AUTO". | Sätt dammsugarens stand-by-omkopplare på "AUTO". |
| | Fler än 10 verktyg är registrerade till dammsugaren. | Utför verktygsregistreringen igen. Om fler än 10 verktyg är registrerade till dammsugaren, blir det verktyg som registrerades tidigare automatiskt upphävt. |
| | Damsugaren har raderat alla verktygsregistreringar. | Utför verktygsregistreringen igen. |
| | Ingen strömtillförsel | Koppla in ström till verktyget och dammsugaren. |
| | Verktyget och dammsugaren är åtskilda från varandra (utanför sändningsområdet). | Se till att verktyget och dammsugaren hamnar närmare varandra. Det maximala sändningsavståndet är ca 10 m, men det kan variera beroende på omständigheterna. |
| | Radiostörningar från andra apparater som skapar högt intensiva radiovågor. | Håll verktyget och dammsugaren borta från apparater som WiFi-enheter och mikrovågsugnar. |
| Damsugaren är igång fastän verktygets avtryckare inte är intryckt. | Andra användare använder den trådlösa aktiveringen av dammsugaren med sina verktyg. | Stäng av de andra verktygens knappar för trådlös aktivering eller upphäv verktygsregistreringen för de andra verktygen. |

UNDERHÅLL

⚠ VARNING: Se alltid till att maskinen är avstängd och batterierna är borttagna innan inspektion eller underhåll utförs. Tar man inte ut batterierna och stänger av maskinen kan det leda till möjlig allvarlig personskada vid en oavsiktlig start.

⚠ VARNING: Se alltid till att klingan är vass och ren för att få ett så bra och säkert resultat som möjligt. Att försöka såga med en slö och/eller smutsig klinga kan orsaka bakåtkast och resultera i allvarlig personskada.

OBSERVERA: Använd inte bensin, förtunningsmedel, alkohol eller liknande. Missfärgning, deformation eller sprickor kan uppstå.

Inställning av sågvinkeln

Maskinen är noga inställd och inriktad på fabriken, men ovarsam hantering kan påverka detta. Om maskinen inte är korrekt riktad gör du på följande sätt:

Geringsvinkel

Sänk ned handtaget helt och lås det i nedsänkt läge med låstappen. Tryck fram vagnen mot anhället. Lossa på handtaget och skruvarna som håller fast pekaren och vinkelskalan.

► **Fig.70:** 1. Skruv på pekare 2. Skruvar på gerings-skala 3. Gerings-skala

Ställ gerings-skivan i position 0° med den positiva stoppfunktionen. Rikta in klingans sida vinkelrätt med anhällets yta med en vinkelhake. Dra åt skruvarna på gerings-skalan samtidigt som du ser till att klingan fortfarande är vinkelrät mot anhället. Rikta därefter in pekarna (både höger och vänster) med position 0° på gerings-skalan och dra åt skruven på pekaren.

► **Fig.71:** 1. Vinkelhake

Vinkel för vinkelsågning

0° vinkel för vinkelsågning

Tryck vagnen mot anhället och låst skjutrörelsen med låstappen. Sänk ned handtaget helt och lås det i nedsänkt läge med låstappen och lossa därefter ratten. Vrid inställningsbulten för 0° två eller tre varv moturs för att luta klingan åt höger.

► **Fig.72:** 1. Inställningsbult för 0° 2. Skruv

Justera noggrant klingans sida och gerings-skivans ovansida i rätt vinkel med en vinkelhake, vinkellinjal etc. genom att vrida inställningsbulten för 0° medurs. Dra därefter åt ratten för att säkra den 0°-vinkel som du ställt in.

► **Fig.73:** 1. Vinkelhake 2. Sågklinga 3. Gerings-skivans ovansida

Kontrollera igen om klingans sida är i rätt vinkel med gerings-skivans yta. Lossa på skruven på pekaren. Rikta in pekaren med 0°-position på vinkelskalan och dra därefter åt skruven.

45° vinkel för vinkelsågning

OBSERVERA: Innan justering av 45°-vinkeln för vinkelsågning, avsluta först justeringen av 0°-vinkeln för vinkelsågning.

Lossa på ratten och luta vagnen helt åt den sida som du vill kontrollera. Kontrollera om pekaren indikerar 45°-position på vinkelskalan.

► Fig.74

Om pekaren inte indikerar 45°-position, rikta in den med 45°-position genom att justeraa inställningsbulten på vinkelskalans motsatta sida.

► Fig.75: 1. Vänster inställningsbult för 45° 2. Höger inställningsbult för 45°

Inställning av laserlinjens läge

Endast för DLS111, DLS112

⚠ VARNING: Batterierna måste vara isatta när du justerar laserlinjen. Var särskilt försiktig så att du inte startar maskinen under inställningen. Oavsiktlig start av maskinen kan leda till allvarlig personskada.

⚠ FÖRSIKTIGT: Titta aldrig direkt in i laserstrålen. Det kan allvarligt skada ögonen.

OBSERVERA: Kontrollera regelbundet laserlinjens läge för att bibehålla noggrannheten.

OBSERVERA: Var försikt med stötar mot maskinen. Det kan få laserlinjen att bli felriktad, eller så kan det skada lasern och minska laserns livslängd.

OBSERVERA: Låt maskinen repareras på ett auktoriserat Makita servicecenter om det uppstår något fel på laserenheten.

Laserlinjens justerbara område fastställs av justerskruvarna för område på båda sidor. Utför följande procedurer för att ändra laserlinjens position.

1. Ta ur batterierna.
2. Rita in en såglinje på arbetsstycket och placera det på geringsskivan. Sätt inte fast arbetsstycket nu med tving eller liknande.
3. Sänk handtaget och rikta in såglinjen med sågklingan.
4. Återför handtaget till ursprungsposition och säkra arbetsstycket med den vertikala tvingen så att arbetsstycket inte flyttar sig från den position du bestämt.
5. Sätt in batterierna och sätt på lasern.
6. Lossa inställningsskruven. För att flytta laserlinjen bort från klingan, vrid justerskruvorna för område moturs. För att flytta laserlinjen mot klingan, vrid justerskruvorna för område medurs.

Justera laserlinjen på vänster sida om klingan

► Fig.76: 1. Inställningsskruv 2. Justerskruv för område 3. Insexnyckel 4. Laserlinje 5. Sågklinga

Justera laserlinjen på höger sida om klingan.

► Fig.77: 1. Inställningsskruv 2. Justerskruv för område 3. Insexnyckel 4. Laserlinje 5. Sågklinga

7. Skjut inställningsskruven till sådan position att laserlinjen ligger på såglinjen och dra åt.

OBS: Laserlinjens flyttbara område är fabriksinställt inom 1 mm (0,04") från sågklingans sidoyta.

Rengöring av laserlinsen

Endast för DLS111, DLS112

Laserluset blir svårt att se om laserlinsen blir smutsig. Gör rent linsen med jämna mellanrum.

► Fig.78: 1. Skruv 2. Lins

Ta ur batterierna. Lossa på skruven och dra ut linsen. Gör rent linsen försiktigt med en fuktig trasa.

OBSERVERA: Ta inte bort skruven som fäster linsen. Om inte linsen går att ta ut, lossa mer på skruven.

OBSERVERA: Använd inte lösningsmedel eller petroleumbaserade rengöringsmedel på linsen.

Efter användning

Ta bort de spån och det damm som har fastnat på maskinen med en tygduk eller liknande efter att arbetet är avslutat. Se till att du håller klingskyddet rent, i enlighet med de avsningar som tidigare beskrivits i avsnittet med titeln "Klingskydd". Smörj in de rörliga delarna med maskinolja för att förhindra rostbildning.

För att upprätthålla produktens SÄKERHET och TILLFÖRLITLIGHET bör allt underhålls- och justeringsarbete utföras av ett auktoriserat Makita servicecenter och med reservdelar från Makita.

VALFRIA TILLBEHÖR

⚠ VARNING: Dessa tillbehör eller tillsatser från Makita rekommenderas för användning med den Makita-maskin som denna bruksanvisning avser. Om andra tillbehör eller tillsatser används kan det resultera i allvarlig personskada.

⚠ VARNING: Använd endast tillbehören eller tillsatserna från Makita för de syfte de är avsedda för. Felaktig hantering av tillbehör eller delar kan leda till allvarlig personskada.

Kontakta ditt lokala Makita servicecenter om du behöver ytterligare information om dessa tillbehör.

- HM-pläterad sågklinga av stål
- Vertikal tving
- Horisontell tving
- Sats för kronliststopp
- Damppåse
- Vinkelhake
- Insexnyckel
- Insexnyckel (för laserjustering)
- Trådlös enhet (för DLS111)
- Makitas originalbatteri och -laddare

OBS: Några av tillbehören i listan kan vara inkluderade i maskinpaketet som standardtillbehör. De kan variera mellan olika länder.

TEKNISKE DATA

| Modell: | | DLS110 | DLS111 | DLS112 |
|-----------------------------------|---------------------|--|---|--------|
| Bladdiameter | Land i Europa | 260 mm | | |
| | Land utenfor Europa | 255 mm - 260 mm | | |
| Hulldiameter | Land i Europa | 30 mm | | |
| | Land utenfor Europa | 25,4 mm | | |
| Sagbladets maks. snittykkelse | | 3,2 mm | | |
| Maks gjæringsvinkel | | Høyre 60°, venstre 60° | | |
| Maks skjæringsvinkel | | Høyre 48°, venstre 48° | | |
| Hastighet uten belastning (o/min) | | 4 400 min ⁻¹ | | |
| Lasertype | | - | Rød laser 650 nm, maksimal effekt < 1,6 mW (laserklasse 2M) | |
| Merkespenning | | DC 36 V | | |
| Batteriinnsets | | BL1815N, BL1820, BL1820B, BL1830, BL1830B, BL1840, BL1840B, BL1850, BL1850B, BL1860B | | |
| Lader | | DC18RC, DC18RD, DC18SD, DC18SE, DC18SF | | |
| Mål (L x B x H) | | 805 mm x 644 mm x 660 mm | | |
| Nettovekt | | 26,6 - 27,3 kg | | |

Skjærekapasitet (H x B)

| Gjøringsvinkel | Skråvinkel | | |
|------------------------|----------------------------------|----------------------------------|----------------------------------|
| | 45° (venstre) | 0° | 45° (høyre) |
| 0° | 42 mm x 310 mm 58 mm x 279 mm | 68 mm x 310 mm 91 mm x 279 mm | 29 mm x 310 mm 43 mm x 279 mm |
| 45° (høyre og venstre) | 42 mm x 218 mm 58 mm x 197 mm | 68 mm x 218 mm 91 mm x 197 mm | 29 mm x 218 mm 43 mm x 197 mm |
| 60° (høyre og venstre) | - | 68 mm x 155 mm 91 mm x 139 mm | - |

Skjærekapasitet for spesialsaging

| Sagemetode | Skjærekapasitet |
|---|-----------------|
| Profilist med 45° vinkel (ved bruk av stopper for profilist) | 168 mm |
| Basisbord (ved bruk av horisontal skrustikke) | 133 mm |

- På grunn av vårt kontinuerlige forsknings- og utviklingsprogram kan spesifikasjonene som oppgis i dette dokumentet endres uten varsel.
- Spesifikasjoner og batteriinnsets kan variere fra land til land.
- Vekten kan variere avhengig av tilbehøret/tilbehørene, inkludert batteriet. Den letteste og tyngste kombinasjonen, i henhold til EPTA-prosedyre 01/2014, vises i tabellen.

Symboler

Nedenfor ser du symbolene som brukes for dette utstyret. Forviss deg om at du forstår hva de betyr, før du begynner å bruke maskinen.



Les bruksanvisningen.



Etter at du har skåret, bør du holde sagen ned helt til bladet stopper, for å unngå skade fra flyvende rester.



Når du utfører glidekutt, må du først dra føreanlegget helt og trykke ned håndtaket. Trykk deretter føreanlegget mot veiledningsanlegget.



Ikke plasser hender eller fingre i nærheten av sagbladet.



Se aldri inn i laserstrålen. Direkte laserstråler kan skade øynene dine.



Kun for land i EU
Ikke kast elektrisk utstyr sammen med hus-
holdningsavfall! I henhold til EU-direktivet
om kasserte elektriske og elektroniske
produkter og direktivets iverksetting i
nasjonal rett, må elektriske produkter
som ikke lenger skal brukes, samles
separat og returneres til et miljøvennlig
gjenvinningsanlegg.

Riktig bruk

Dette verktøyet er laget for nøyaktig og rett gjærings-
saging i tre. Med de riktige sagbladene, kan også alumi-
nium sages.

Støy

Typisk A-vektet lydtryknivå er bestemt i henhold til
EN62841:

Modell DLS110

Lydtryknivå (L_{pA}): 92 dB (A)

Lydeffektnivå (L_{WA}): 102 dB (A)

Usikkerhet (K): 3 dB (A)

Modell DLS111

Lydtryknivå (L_{pA}): 92 dB (A)

Lydeffektnivå (L_{WA}): 102 dB (A)

Usikkerhet (K): 3 dB (A)

Modell DLS112

Lydtryknivå (L_{pA}): 92 dB (A)

Lydeffektnivå (L_{WA}): 102 dB (A)

Usikkerhet (K): 3 dB (A)

⚠ ADVARSEL: Bruk hørselsvern.

Vibrasjoner

Den totale vibrasjonsverdien (triaksial vektorsum)
bestemt i henhold EN62841:

Modell DLS110

Genererte vibrasjoner (a_h): 2,5 m/s² eller mindre

Usikkerhet (K): 1,5 m/s²

Modell DLS111

Genererte vibrasjoner (a_h): 2,5 m/s² eller mindre

Usikkerhet (K): 1,5 m/s²

Modell DLS112

Genererte vibrasjoner (a_h): 2,5 m/s² eller mindre

Usikkerhet (K): 1,5 m/s²

MERK: Den angitte verdien for de genererte vibrasjo-
nene er målt i samsvar med standardtestmetoden og
kan brukes til å sammenlikne et verktøy med et annet.

MERK: Den angitte verdien for de genererte vibra-
sjonene kan også brukes til en foreløpig vurdering av
eksponeringen.

⚠ ADVARSEL: De genererte vibrasjonene ved faktisk
bruk av elektroverktøyet kan avvike fra den angitte vibra-
sjonsverdien, avhengig av hvordan verktøyet brukes.

⚠ ADVARSEL: Sørg for å identifisere vernetiltak
for å beskytte operatøren, som er basert på et estimat
av eksponeringen under de faktiske bruksforholdene
(idet det tas hensyn til alle deler av driftssyklusen,
dvs. hvor lenge verktøyet er slått av, hvor lenge det
går på tomgang og hvor lenge startbryteren faktisk
holdes trykket).

EFs samsvarserklæring

Gjelder kun for land i Europa

EFs samsvarserklæring er lagt til som vedlegg A i
denne bruksanvisningen.

SIKKERHETSADVARSEL

Generelle advarsler angående sikkerhet for elektroverktøy

⚠ ADVARSEL: Les alle sikkerhetsadvarsler,
instruksjoner, illustrasjoner og spesifikasjoner
som følger med dette elektroverktøyet. Hvis ikke
alle instruksjonene nedenfor følges, kan det fore-
komme elektrisk støt, brann og/eller alvorlig skade.

Oppbevar alle advarsler og instruksjoner for senere bruk.

Uttrykket «elektrisk verktøy» i advarslene refererer
både til elektriske verktøy (med ledning) tilkoblet strøm-
nettet, og batteridrevne verktøy (uten ledning).

Sikkerhetsanvisninger for gjærings-sager

- Gjærings-sager er beregnet på saging av tre eller
treaktige produkter. De må ikke brukes med
kappeskiver med slipeeffekt for å sage materialer
som f.eks. stenger, stolper, nagler, osv.** Slipestøv
får bevegelige deler, som f.eks. det nedre vernet, til
å kile seg. Gnister fra slipende saging vil brenne det
nedre vernet, snittinnsatsen og andre plastdeler.
- Bruk klemmer for å holde arbeidsstykket på
plass så sant det er mulig. Hvis du holder
arbeidsstykket med hånden, må du alltid
holde hånden minst 100 mm unna hver side
av sagbladet. Ikke bruk denne sagen til å sage
stykker som er for små til å festes godt med
klemmer eller holdes med hånden.** Hvis du
holder hånden for nær sagbladet, øker faren for
skade som følge av kontakt med bladet.
- Arbeidsstykket må være i ro og holdes fast
med klemmer eller hånden både mot anleggs-
flaten og bordet. Ikke mat arbeidsstykket inn
i bladet eller sag på "frihånd".** Arbeidsstykker
som ligger løst eller beveger seg kan kastes til-
bake i høy hastighet og forårsake skader.
- Skyv sagen gjennom arbeidsstykket. Ikke dra
sagen gjennom arbeidsstykket. Når du skal sage,
hever du saghodet og drar det ut over arbeidsstyk-
ket uten å sage, starter motoren, presser saghodet
ned og skyver sagen gjennom arbeidsstykket.** Hvis
du sager samtidig som du drar, vil sagbladet mest
sannsynlig bevege seg oppå arbeidsstykket og slynge
bladenheten mot operatøren med voldsom kraft.
- Du må aldri krysse hånden over den tiltenkte
skjærelinjen, verken foran eller bak sagbladet.**
Å holde arbeidsstykket "med hendene i kryss", dvs.
at du holder arbeidsstykket til høyre for sagbladet
med venstrehånden eller motsatt, er svært farlig.

► Fig.1

6. **Ikke strekk hånden nærmere enn 100 mm fra hver side av sagbladet bak anleggsflaten for å fjerne rester av tre – eller av noen som helst annen grunn – mens bladet svinger.** Det er ikke sikkert at du merker hvor nær hånden er det svingende sagbladet, og du kan bli alvorlig skadet.
7. **Undersøk arbeidsstykket før du sager. Hvis arbeidsstykket er bøyd eller vridd, klemmer du det med den utvendige buede flaten mot anleggsflaten. Pass alltid på at det ikke noen avstand mellom arbeidsstykket, anleggsflaten og bordet langs skjærelinjen.** Bøyd eller vridd arbeidsstykker kan vri eller flytte på seg, og det kan føre til at arbeidsstykket setter seg fast i det svingende sagbladet under saging. Det må ikke være spiker eller fremmedlegemer i arbeidsstykket.
8. **Ikke bruk sagen før bordet er fritt for alt verktøy, alle rester av tre, osv. unntatt arbeidsstykket.** Små rester, løse trebiter eller andre gjenstander som kommer i kontakt med det roterende bladet, kan bli kastet tilbake i høy hastighet.
9. **Du må kun sage ett arbeidsstykke om gangen.** Det er umulig å klemme eller holde fast flere arbeidsstykker som er stablet opp på hverandre tilstrekkelig, og de kan sette seg fast i bladet eller bevege seg under saging.
10. **Sørg for at gjæringsagen er montert eller plassert på en jevn, fast arbeidsflate før bruk.** En jevn og fast arbeidsflate reduserer faren for at gjæringsagen blir ustabil.
11. **Planlegg arbeidet. Hver gang du endrer skrå- eller gjæringsvinkelen, må du sørge for at den justerbare anleggsflaten er stilt riktig inn for å holde arbeidsstykket uten at den kommer i konflikt med bladet eller vernesystemet.** Uten å slå på verktøyet og uten arbeidsstykket på bordet, beveger du sagbladet gjennom en fullstendig simulert skjæring for å sikre at det ikke vil oppstå konflikt eller fare for å sage i anleggsflaten.
12. **Sørg for tilstrekkelig støtte som bordforlengere, sagkrakker, osv. hvis arbeidsstykket er bredere eller lengre enn bordplaten.** Arbeidsstykker som er lengre eller bredere enn gjæringsagbordet kan vippe hvis de ikke har tilstrekkelig støtte. Hvis stykket som er saget av eller arbeidsstykket vipper, kan det nedre vernet bli løftet opp eller kastet tilbake av det svingende bladet.
13. **Ikke bruk en annen person som erstatning for en bordforlenger eller som ekstra støtte.** Hvis ikke arbeidsstykket støttes tilstrekkelig, kan det føre til at bladet setter seg fast eller at arbeidsstykket flytter seg under sagingen, slik at du og medhjelperen din blir trukket inn i det svingende bladet.
14. **Stykket som er saget av må ikke på noen måte kiles eller presses mot det svingende sagbladet.** Hvis stykket som er saget av blir klemt inne, dvs. av lengdestoppere, kan det treffe bladet og bli kastet tilbake med voldsom kraft.
15. **Bruk alltid en klemme eller et festelement som er beregnet på å holde runde materialer som stenger eller rør.** Stenger har en tendens til å rulle når de sages, slik at bladet "biter seg fast" og trekker arbeidsstykket og hendene dine inn i bladet.
16. **La bladet nå fullhastighet før du setter det i kontakt med arbeidsstykket.** Dette reduserer faren for at arbeidsstykket kastes tilbake.
17. **Hvis arbeidsstykket eller bladet kiler seg, må du slå av gjæringsagen.** Vent til alle bevegelige deler har stanset, og trekk støpelet ut av stikkontakten og/eller ta ut batteriet. Deretter fjerner du det fastkille materialet. Hvis du fortsetter å sage når et arbeidsstykke har kilt seg, kan du miste kontrollen eller skade gjæringsagen.
18. **Når du er ferdig å sage, slipper du bryteren, holder saghodet nede, og venter til bladet stanser før du tar bort stykket som er saget av.** Det er farlig å bevege hånden i nærheten av det rullende bladet.
19. **Hold godt tak i hendelen når du utfører en ufullstendig skjæring eller når du slipper bryteren før saghodet er helt nede.** Når sagen bremser ned, kan saghodet trekkes brått nedover og forårsake personskaade.
20. **Bruk bare sagbladet med diameter som er merket på verktøyet eller spesifisert i håndboken.** Bruk av et blad med feil størrelse kan påvirke riktig beskyttelse av bladet eller bruk av bladvernet, som kan resultere i alvorlig personskaade.
21. **Bruk bare sagbladene som er merket med en hastighet som er lik eller høyere enn hastigheten som er merket på verktøyet.**
22. **Ikke bruk sagen til å sage annet enn tre, aluminium og lignende materialer.**
23. **(Kun land i Europa.)
Bruk alltid bladet som overholder EN847-1.**

Ekstra anvisninger

1. **Gjør verkstedet barnesikkert med hengelåser.**
2. **Du må aldri stå på verktøyet.** Hvis verktøyet vippes eller ved utilsiktet kontakt med skjæreverktøyet, kan det oppstå alvorlig personskaade.
3. **La aldri verktøyet svive uten tilsyn. Slå av strømmen.** Ikke forlat verktøyet før det har stanset helt opp.
4. **Ikke bruk verktøyet uten at vernet er på plass.** Kontrollert at det nedre vernet er ordentlig lukket før bruk. Ikke begynn å bruke sagen hvis det nedre vernet ikke beveger seg fritt og lukker seg momentant. Bladvernet må aldri klemmes fast eller bindes opp i åpen stilling.
5. **Hold hendene unna sagbladets bane.** Unngå kontakt med rullende blader. Det kan føre til alvorlig personskaade.
6. **Før sleden helt tilbake i bakre stilling etter hver fullførte sageoperasjon for å redusere faren for personskaade.**
7. **Sikre alle bevegelige deler før du flytter verktøyet.**
8. **Anslagsstiften som låser skjærehodet ned er kun til for løfting eller oppbevaring og ikke for å sage.**
9. **Før du begynner å bruke verktøyet, må du kontrollere nøye at bladet ikke har sprekker eller andre skader. Skift ut sprukne eller ødelagte blader omgående.** Harpiks og bek som størkner på bladene reduserer turtallet på sagen og øker risikoen for tilbakeslag. Hold bladet rent ved først å ta det av verktøyet og deretter gjøre det rent med en harpiks- og bekfjerner, varmt vann eller parafin. Bruk aldri bensin når du skal rengjøre bladet.

10. Når du bruker uttrekksfunksjonen for å kappe et arbeidsstykke, kan TILBAKESLAG forekomme. TILBAKESLAG skjer når bladet setter seg fast i arbeidsstykket under saging, og sagbladet slås raskt tilbake mot operatøren. Dette kan føre til manglende kontroll og alvorlig personskade. Hvis bladet begynner å sette seg fast under saging, må du straks slippe bryteren og stanse arbeidet.
11. Bruk bare flenser som er spesifisert for dette verktøyet.
12. Pass på å ikke skade akselen, flensene (spesielt installeringsoverflaten) eller bolten. Skade på disse delene kan føre til at bladet brykker.
13. Forsikre deg om at dreiefoten er sikret skikkelig, slik at den ikke kan forskyve seg under bruk. Fest sagen til en stabil arbeidsplattform eller benk ved hjelp av hullene i foten. Du må ALDRI bruke verktøyet hvis du står ubekvemt.
14. Forsikre deg om at spindellåsen er av før du slår på bryteren.
15. Forsikre deg om at bladet ikke er i kontakt med dreiefoten i den laveste stillingen.
16. Hold hendelen godt fast. Vær oppmerksom på at sagen går litt opp og ned når den startes og stoppes.
17. Forviss deg om at bladet ikke er i kontakt med arbeidsstykket, før du slår på bryteren.
18. La verktøyet svive en liten stund før du begynner å bruke det på et arbeidsstykke. Se etter vibrasjoner eller vingling som kan tyde på at bladet er dårlig balansert.
19. Hvis du merker at noe er uvanlig, må du stanse arbeidet omgående.
20. Ikke forsøk å låse avtrekkeren i PÅ-stillingen.
21. Bruk alltid tilbehør anbefalt i denne håndboken. Bruk av upassende tilbehør som rue hjul kan føre til personskade.
22. Enkelte materialer inneholder kjemikalier som kan være giftige. Vis forsiktighet for å forhindre hudkontakt og innånding av støv. Følg leverandørens sikkerhetsanvisninger.

Ytterligere sikkerhetsregler for laseren

1. LASERSTRÅLER. IKKE SE INN I STRÅLEN ELLER DIREKTE PÅ DEN MED OPTISKE INSTRUMENTER. LASERPRODUKT KLASSE 2M.

TA VARE PÅ DISSE INSTRUKSENE.

⚠ ADVARSEL: IKKE LA hensynet til hva som er "behagelig" eller det faktum at du kjenner produktet godt (etter mange gangers bruk) gjøre deg mindre oppmerksom på sikkerhetsreglene for bruken av det aktuelle produktet. Ved MISBRUK eller hvis ikke sikkerhetsreglene i denne bruksanvisningen følges, kan det oppstå alvorlig personskade.

Viktige sikkerhetsanvisninger for batteriinnsetts

1. Før du begynner å bruke batteriet, må du lese alle anvisninger og forsiktighetsregler på (1) batteriladeren, (2) batteriet og (3) det produktet batteriet skal brukes i.
2. Ikke ta fra hverandre batteriet.

3. Hvis driftstiden er blitt vesentlig kortere, må du omgående slutte å bruke maskinen. Hvis ikke kan resultatet bli overoppheting, mulige forbrenninger eller til og med en eksplosjon.
4. Hvis du får elektrolytt i øynene, må du skylle dem med store mengder rennende vann og oppsøke lege med én gang. Denne typen uhell kan føre til varig blindhet.
5. Ikke kortslett batteriet:
 - (1) De kan være ekstremt varme og du kan brenne deg.
 - (2) Ikke lagre batteriet i samme beholder som andre metallgjenstander, som for eksempel spiker, mynter osv.
 - (3) Ikke la batteriet komme i kontakt med vann eller regn.

En kortslutning av batteriet kan føre til et kraftig strømstøt, overoppheting, mulige forbrenninger og til og med til at batteriet går i stykker.

6. Ikke lagre maskinen og batteriet på steder hvor temperaturen kan komme opp i eller overskride 50 °C.
7. Ikke sett fyr på batteriet, ikke engang om det er sterkt skadet eller helt utslitt. Batteriet kan eksplodere hvis det begynner å brenne.
8. Vær forsiktig så du ikke mister batteriet eller utsetter det for slag.
9. Ikke bruk batterier som er skadet.
10. Lithium-ion-batteriene som medfølger er gjenstand for krav om spesialavfall. For kommersiell transport, f.eks. av tredjeparter eller speditorer, må spesielle krav om pakking og merking følges. For varen blir sendt, må du forhøre deg med en ekspert på farlig materiale. Ta også hensyn til muligheten for mer detaljerte nasjonale bestemmelser. Bruk teip eller maskeringsteip for å skjule åpne kontakter og pakk inn batteriet på en slik måte at den ikke kan bevege seg rundt i emballasjen.
11. Følg lokale bestemmelser for avhending av batterier.
12. Bruk batteriene kun med produkter spesifisert av Makita. Montere batteriene i produkter som ikke er konforme kan føre til brann, overheting eller elektrolyttlekkasje.

TA VARE PÅ DISSE INSTRUKSENE.

⚠ FORSIKTIG: Bruk kun originale Makita-batterier. Bruk av batterier som har endret seg, eller som ikke er originale Makita-batterier, kan føre til at batteriet sprekker og forårsaker brann, personskader og andre skader. Det vil også ugyldiggjøre garantien for Makita-verktøyet og -laderen.

Tips for å opprettholde maksimal batterilevetid

1. Lad batteriinnsettsen før den er helt utladet. Stopp alltid driften av verktøyet og lad batteriinnsettsen når du merker at effekten reduseres.
2. Lad aldri en batteriinnsetts som er fulladet. Overopplading forkorter batteriets levetid.
3. Lad batteriet i romtemperatur ved 10 °C - 40 °C. Et varmt batteri må kjøles ned før lading.
4. Lad batteriet hvis det ikke har vært brukt på en lang stund (over seks måneder).

Viktige sikkerhetsanvisninger for trådløs enhet

- Du må ikke demontere eller tukle med den trådløse enheten.
- Hold den trådløse enheten unna små barn. Hvis enheten ved et uhell svelges, skal lege kontaktes umiddelbart.
- Den trådløse enheten skal kun brukes med Makita-verktøy.
- Ikke utsett den trådløse enheten for regn eller fuktighet.
- Ikke bruk den trådløse enheten på steder den temperaturen overskrider 50 °C.
- Ikke bruk den trådløse enheten på steder der medisinsk utstyr, som pacemakere, er i nærheten.
- Ikke bruk den trådløse enheten på steder der automatiserte enheter er i nærheten. Hvis automatisert enheter tas i bruk, kan det oppstå en funksjonssvikt eller feil.
- Den trådløse enheten kan skape elektromagnetiske felt (EMF), men de er ikke skadelige for brukeren.
- Den trådløse enheten er presisjonsinstrument. Vær forsiktig så du ikke mister eller utsetter den trådløse enheten for slag.
- Unngå å berøre den trådløse enhetens tilkoblingspunkt med ubeskyttede hender eller metallmaterialer.
- Du må alltid ta batteriet ut av verktøyet når du skal installere den trådløse enheten.
- Når du skal åpne sporets lokk, må du unngå steder der støv og vann kan trenge inn i sporet. Du må alltid sørge for at sporets innløp er rent.
- Sett alltid den trådløse enheten inn i riktig retning.
- Ikke trykk for hardt på trådløse aktiveringsknappen på den trådløse enheten, og trykk heller ikke på knappen med en gjenstand med skarp kant.
- Du må alltid lukke sporets lokk under bruk.
- Ikke fjern den trådløse enheten fra sporet mens verktøyet forsynes med strøm. Det kan føre til en funksjonsfeil i den trådløse enheten.
- Ikke fjern klebemerket på den trådløse enheten.
- Ikke sett klebemerker på den trådløse enheten.
- Ikke etterlat den trådløse enheten på et sted der det kan genereres statisk elektrisitet eller elektrisk støv.
- Ikke etterlat den trådløse enheten på et sted før den kan utsettes for mye varme, som i en bil som er parkert i solen.
- Ikke etterlat den trådløse enheten på et sted med mye støv eller pulver, eller på et sted der det kan genereres korroderende gass.
- En plutselig temperaturendring kan få den trådløse enheten til å dugge. Ikke bruk den trådløse enheten før duggen har tørket helt bort.
- Når du rengjør den trådløse enheten, tørker du forsiktig av den med en tørr, myk klut. Ikke bruk bensin, tynner, ledende fett eller lignende.
- Når den trådløse enheten skal lagres, oppbevares den i esken som følger med eller en beholder som ikke er statisk.
- Ikke sett andre enheter med Makitas trådløse enhet inn i sporet på verktøyet.
- Ikke bruk verktøyet hvis sporets lokk er skadet. Vann, støv og smuss som trenger inn i sporet kan føre til funksjonsfeil.
- Ikke dra i og/eller vri sporets lokk mer enn nødvendig. Sett lokket tilbake på plass hvis det løsner fra verktøyet.
- Erstatt sporets lokk hvis det går tapt eller blir skadet.

TA VARE PÅ DISSE INSTRUKSENE.

DELEBESKRIVELSE

► Fig.2

| | | | | | | | |
|----|---|----|--------------------------------------|----|---------------------------------|----|---|
| 1 | Glidestang | 2 | Anslagsstift (for skyving av sleden) | 3 | Vertikal skrustykke | 4 | Utløserknapp (for skråvinkel på høyre side) |
| 5 | Holder | 6 | Dreiefot | 7 | Peker (for gjæringsvinkel) | 8 | Gjæringsvinkelskala |
| 9 | Snittplate | 10 | Bladkasse | 11 | Justeringskrue (for laserlinje) | 12 | Avstandsjusteringskrue (for laserlinje) |
| 13 | Bladvern | 14 | Knott (for skråvinkel) | 15 | Sekskantnøkkel | 16 | Justeringskrue (for nedre grenseposisjon) |
| 17 | Justeringskrue (for maksimal skjærekapasitet) | 18 | Stopperarm | 19 | Batteri | 20 | Sperrehendel (for dreiefot) |
| 21 | Utløerspak (for dreiefot) | 22 | Grep (for dreiefot) | - | - | - | - |

► Fig.3

| | | | | | | | |
|----|--|----|----------------------------------|----|-----------------------------|----|---|
| 1 | Startbryter | 2 | AV-sperreknapp | 3 | Hull for hengelås | 4 | Lokk (for trådløs enhet) (Kun for DLS111) |
| 5 | Bryter (for laserlinje) (Kun for DLS111, DLS112) | 6 | Batteriindikator | 7 | Modusindikator | 8 | Kontrollknapp |
| 9 | Trådløsaiveringsknapp | 10 | Trådløsaiveringslampe | 11 | Slange (for støvavsug) | 12 | Anslagsstift (for heving av sleden) |
| 13 | Føringsflate (nedre anleggsflate) | 14 | Føringsflate (øvre anleggsflate) | 15 | Støvpose | 16 | Justeringsbolt for 0° (for skråvinkel) |
| 17 | Skråvinkelskala | 18 | Utløspak (for 48° skråvinkel) | 19 | Låsehendel (for skråvinkel) | 20 | Peker (for skråvinkel) |
| 21 | Justeringsbolt for 45° (for skråvinkel) | - | - | - | - | - | - |

MONTERING

Montere håndtaket

Skru håndtakets gjengede aksel inn i dreiefoten.

► **Fig.4:** 1. Håndtak 2. Dreiefot

Installere støvavsugslangen

Koble støvavsugslangen til verktøyet som illustrert. Forviss deg om at rørbenden og hylsen passer inn i åpningene på verktøyet.

► **Fig.5:** 1. Støvavsugsslange 2. Rørbend 3. Hylse 4. Åpning

Benkmontering

Når verktøyet sendes fra fabrikk, er hendelen låst i senket stilling med anslagsstiften. Senk hendelen en anelse, dra i anslagsstiften, og dreid den 90°.

► **Fig.6:** 1. Låst stilling 2. Ulåst stilling 3. Anslagsstift

Denne saken bør boltes med fire skruer til en jevn og stabil overflate ved hjelp av skruerhullene i sagfoten. Dette vil hjelpe deg å unngå velt og personskader.

► **Fig.7:** 1. Bolt

⚠ ADVARSEL: Forviss deg om at verktøyet ikke kan bevege seg på opplagerflaten. Hvis gjærings-sagen beveger seg på opplagerflaten mens du sager, kan du miste kontroll over saken og risikere alvorlige personskader.

FUNKSJONSBEKRIVELSE

⚠ ADVARSEL: Forviss deg alltid om at verktøyet er slått av og batteriet tatt ut før du justerer maskinen eller kontrollerer dens mekaniske funksjoner. Hvis du ikke slår av verktøyet og fjerner batteriet, kan det hende at verktøyet starter ved et uhell, noe som kan føre til alvorlig personskade.

Sette inn eller ta ut batteri

⚠ FORSIKTIG: Slå alltid av verktøyet før du setter inn eller fjerner batteriet.

⚠ FORSIKTIG: Hold verktøyet og batteripatronen i et fast grep når du monterer eller fjerner batteripatronen. Hvis du ikke holder verktøyet og batteripatronen godt fast, kan du miste grepet, og dette kan føre til skader på verktøyet og batteripatronen samt personskader.

► **Fig.8:** 1. Rød indikator 2. Knapp 3. Batteriinnstas

For å ta ut batteriet må du skyve på knappen foran på batteriet og trekke det ut.

Når du skal sette inn batteriet, må du plassere tungen på batteriet på linje med sporet i huset og skyve batteriet på plass. Skyv det helt inn til det går i inngrep med et lite klikk. Hvis du kan se den røde anviseren på oversiden av knappen, er det ikke fullstendig låst.

⚠ FORSIKTIG: Batteriet må alltid settes helt inn, så langt at den røde anviseren ikke lenger er synlig. Hvis dette ikke gjøres, kan batteriet komme til å falle ut av maskinen og skade deg eller andre som oppholder seg i nærheten.

⚠ FORSIKTIG: Ikke bruk makt når du setter i batteriet. Hvis batteriet ikke glir lett inn, er det fordi det ikke settes inn på riktig måte.

MERK: Verktøyet fungerer ikke med kun ett batteri.


Batterivernsystem for verktøy/ batteri

Verktøyet er utstyrt med et batterivernsystem for verktøy/batteri. Dette systemet kutter automatisk strømmen til motoren for å forlenge verktøyets og batteriets levetid. Verktøyet stopper automatisk under drift hvis verktøyet eller batteriet utsettes for en av følgende tilstander:

Overlastsikring

Når verktøyet brukes på en måte som gjør at det bruker unormalt mye strøm, vil verktøyet stoppe, helt automatisk og uten forvarsel. I dette tilfellet må du slå av verktøyet og avslutte bruken som forårsaket at verktøyet ble overbelastet. Slå deretter verktøyet på for å starte det igjen.

Overopphetingsvern

| | |
|---|---|
| <input type="checkbox"/> på | <input checked="" type="checkbox"/> Blinker |
|  | |

Når verktøyet blir overopphetet, stopper verktøyet automatisk og strømindikatoren blinker i cirka 60 sekunder. Hvis dette skjer, må du la verktøyet kjøle seg ned før du slår på verktøyet igjen.



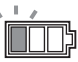

Overutladningsvern

Når det blir lite batteri igjen, stopper verktøyet automatisk. Hvis produktet ikke går selv om bryterne aktiveres, må du ta batteriene ut av verktøyet og lade batteriene.

Indikere gjenværende batterikapasitet

► Fig.9: 1. Batteriindikator 2. Kontrollknapp

Trykk på kontrollknappen for vise det gjenværende batterinivået. Batteriindikatorerne korresponderer til hvert batteri.

| Batteriindikatorstatus | | | Gjenværende batterikapasitet |
|---|-----------------------------|----------------------------------|------------------------------|
| <input checked="" type="checkbox"/> På | <input type="checkbox"/> Av | <input type="checkbox"/> Blinker | |
|  | | | 50 % til 100 % |
|  | | | 20 % til 50 % |
|  | | | 0 % til 20 % |
|  | | | Lad batteriet |

Indikere gjenværende batterikapasitet

Kun for batterier med indikatoren

► Fig.10: 1. Indikatorlamper 2. Kontrollknapp



Trykk på sjekk-knappen på batteriet for vise gjenværende batterikapasitet. Indikatorlampene lyser i et par sekunder.

| Indikatorlamper | | | Gjenværende batterinivå |
|--|-------------------------------------|-------------------------------------|---------------------------|
| <input checked="" type="checkbox"/> Tent | <input type="checkbox"/> Av | <input type="checkbox"/> Blinker | |
| <input checked="" type="checkbox"/> | <input checked="" type="checkbox"/> | <input checked="" type="checkbox"/> | 75 % til 100 % |
| <input checked="" type="checkbox"/> | <input checked="" type="checkbox"/> | <input type="checkbox"/> | 50 % til 75 % |
| <input checked="" type="checkbox"/> | <input type="checkbox"/> | <input type="checkbox"/> | 25 % til 50 % |
| <input checked="" type="checkbox"/> | <input type="checkbox"/> | <input type="checkbox"/> | 0 % til 25 % |
| <input type="checkbox"/> | <input type="checkbox"/> | <input type="checkbox"/> | Lad batteriet. |
| <input checked="" type="checkbox"/> | <input type="checkbox"/> | <input type="checkbox"/> | Batteriet kan ha en feil. |
| <input type="checkbox"/> | <input type="checkbox"/> | <input checked="" type="checkbox"/> | |

MERK: Det angitte nivået kan avvike noe fra den faktiske kapasiteten alt etter bruksforholdene og den omgivende temperaturen.

Funksjon for automatisk hastighetsending

► Fig.11: 1. Modusindikator

| Modusindikatorstatus | | Driftsmodus |
|---|--------------------------|----------------------------|
| <input checked="" type="radio"/> På | <input type="radio"/> Av | |
|  | | Modus for høy hastighet |
|  | | Modus for høyt dreiemoment |

Dette verktøyet har en modus for høy hastighet og en modus for høyt dreiemoment. Verktøyet skifter driftsmodus avhengig av arbeidsbelastningen. Når modusindikatoren begynner å lyse under drift, er verktøyet i modus for høyt dreiemoment.

Bladvern

► Fig.12: 1. Bladvern

Når du senker hendelen, vil bladvernet automatisk heves. Bladvernet er fjærbelastet og går tilbake til opprinnelig stilling når skjæringen er fullført og hendelen heves.

⚠ADVARSEL: Bladvernet eller fjæren som er festet til vernet skal aldri fjernes eller settes ute av funksjon. Hvis vernet er satt ute av funksjon slik at et blad er utildekt, kan det oppstå alvorlige personskader når sagen er i bruk.

Av hensyn til din egen sikkerhet, må du alltid sørge for at bladvernet er i god stand. Alle uregelmessigheter i bladvernet må fjernes omgående. Kontroller at fjæren går tilbake til utgangsposisjon.

⚠ADVARSEL: Aldri bruk verktøyet hvis bladvernet eller fjæren er skadet, fungerer dårlig eller er fjernet. Hvis verktøyet brukes når vernet er skadet, fungerer dårlig eller er fjernet, kan det oppstå alvorlige personskader.

Hvis det gjennomsiktige bladvernet blir skittent, eller det setter seg så mye sagflis på det at bladet og/eller arbeidsstykket ikke lenger er godt synlig, må du ta ut batteriene og forsiktig tørke av vernet med en fuktig klut. Ikke bruk løsemidler eller bensinbaserte rengjøringsmidler på plastvernet, da dette kan skade vernet.

Hvis bladvernet er svært skittent og sikten gjennom det er forringet, må du ta ut batteriene og løsner sekskantskruen som holder midtdekslet med den medfølgende nøkkelen. Løsne sekskantskruen ved å skru den mot klokken. Hev bladvernet og midtdekslet. Med bladvernet i denne stillingen kan du lettere rengjøre skikkelig og mer effektivt. Når du er ferdig med rengjøringen, følger du fremgangsmåten ovenfor i omvendt rekkefølge og trekker til skruen. Ikke ta av fjæren som holder bladvernet. Hvis vernet blir misfarget på grunn av alder eller UV-stråler, må du kontakte et Makita serviceverksted for få et nytt vern. VERNET SKAL ALDRI FJERNES ELLER SETTES UT AV FUNKSJON.

► **Fig.13:** 1. Midtdeksel 2. Sekskantnøkkel 3. Bladvern

Snittplater

Verktøyet leveres med snittplatene i dreiefoten for å redusere flenger på utgangsiden av et skjæring til et minimum. Snittplatene er fabrikkjustert slik at sagbladet ikke kommer i kontakt med snittplatene. Før bruk må du justere snittplatene på følgende måte:

► **Fig.14:** 1. Snittplate

► **Fig.15:** 1. Venstre skråskjæring 2. Rett skjæring 3. Høyre skråskjæring 4. Sagblad 5. Bladtenner 6. Snittplate

Først tar du ut batteriene. Løsne alle skruene (to på høyre og to på venstre side) som holder snittplatene på plass til du enkelt kan fjerne snittplatene for hånd. Senk håndtaket helt, og dra og drei anslagsstiften for å låse håndtaket i nedre stilling. Løsne anslagsstiften på glidestangen, og dra sleden helt mot deg. Juster snittplatene slik at de akkurat kommer i kontakt med sidene på bladtennene. Stram de fremre skruene (ikke hardt). Skyv sleden helt mot føringsflaten, og juster snittplatene slik at de akkurat kommer i kontakt med sidene på bladtennene. Stram de bakre skruene (ikke hardt).

Etter at snittplatene er justert, løsner du anslagsstiften og hever hendelen. Deretter må alle skruene strammes godt.

OBS: Når du har stilt inn skråvinkelen, må du sikre at snittplatene er riktig justert. Når snittplatene er riktig justert, vil dette bidra til å gi arbeidsstykket riktig støtte og forhindre at det oppstår flenger i arbeidsstykket.

Opprettholde maksimal skærekapasitet

Dette verktøyet er fabrikkjustert til å gi maksimal sagekapasitet for et 260 mm sagblad.

Når du monterer et nytt blad, må du alltid sjekke nedre grenseposisjon for bladet og justere det på følgende måte, ved behov:

Først tar du ut batteriene. Drei stopperspaken slik at den går i inngrep.

► **Fig.16:** 1. Stopperspak

Skyv sleden helt inn mot føringsflaten, og senk hendelen fullstendig.

Juster bladet stilling ved å dreie justeringsbolten med sekskantnøkkelen. Utkanten av bladet skal stikke så vidt ut under overflaten på dreiefoten, og strekker seg dessuten til punktet der forkanen av føringsflaten møter overflaten på dreiefoten.

► **Fig.17:** 1. Justeringsskruer

► **Fig.18:** 1. Overflaten av dreiefoten 2. Utkanten av bladet 3. Føringsflate

Når batteriene er tatt ut, dreier du bladet for hånd mens du holder håndtaket helt nede, for å være sikker på at bladet ikke kommer i kontakt med den nedre foten. Etterjuster noe ved behov.

Etter utført justering må du alltid sette stopperspaken tilbake i opprinnelig stilling.

⚠ADVARSEL: Når du har satt inn et nytt blad og batteriene er tatt ut, må du passe på at bladet ikke berører noen del av den nedre foten når håndtaket er trukket helt ned. Hvis bladet berører foten, kan det oppstå tilbakeslag. Dette kan føre til alvorlig personskade.

Stopperarm

Nedre grensestilling for bladet kan justeres på en enkel måte med stopperarmen. Stopperarmen justeres ved at du dreier den i pilretningen som vist i figuren. Drei justeringsskruen slik at bladet stopper i ønsket stilling når du senker hendelen helt.

► **Fig.19:** 1. Stopperarm 2. Justeringsskruer

Justere gjæringsvinkelen

⚠FORSIKTIG: Når du har endret gjæringsvinkelen, må du alltid sikre dreiefoten ved å stramme grepet godt.

OBS: Når du dreier dreiefoten, må du heve håndtaket helt.

► **Fig.20:** 1. Sperreknapp 2. Håndtak 3. Utløerspakk 4. Peker

Roter håndtaket mot klokken for å frigjøre dreiefoten. Beveg dreiefoten ved å dreie håndtaket mens du holder sperrehendelen nede. Innrett pekeren i ønsket vinkel på skalaen, og stram deretter håndtaket.

MERK: Hvis du trykker inn utløerspaken, kan du fjerne dreiefoten under å holde sperrehendelen nede. Stram håndtaket når du har nådd ønsket stilling.

Denne gjæringsssagen har en funksjon for fast anslag. Du kan raskt stille inn høyre/venstre gjæringsvinkel på 0°, 15°, 22,5°, 31,6°, 45° og 60°. Hvis du vil bruke denne funksjonen, beveger du dreiefoten til ønsket vinkel for fast anslag samtidig som du holder sperrehendelen nede. Deretter slipper du sperrehendelen og beveger dreiefoten fremover til dreiefoten går i lås.

Justere skråvinkelen

OBS: Du må alltid fjerne de øvre føringsflatene og den vertikale skrustikken før du justerer skråvinkelen.

OBS: Når du endrer skråvinklene, må du forvise deg om at snittplatene plasseres riktig (forklart i avsnittet "Snittplater").

OBS: Når du vipper sagbladet, må du heve hendelen helt.

OBS: Ikke stram knotten for mye. Det kan føre til at skråvinkelen låsemekanisme slutter å fungere som den skal.

1. Drei knotten på glidestangen mot klokken.
► **Fig.21:** 1. Knott
2. Dra og drei låsehendelen til den illustrerte stillingen.
► **Fig.22:** 1. Låsehendel
3. Sørg for at pekeren samsvarer med ønsket vinkel på skalaen ved å bevege sleden, og stram deretter knotten.
► **Fig.23:** 1. Skråvinkelskala 2. Peker

Hvis du vil vippe sleden mot høyre, vipper du den først litt mot venstre, og deretter vipper du den mot høyre samtidig som du trykker utløserknappen ned.

► **Fig.24:** 1. Utløserknapp

Hvis du vil utføre en skråningsgjærning på mer enn 45°, beveger du sleden samtidig som du skyver utløserspaken mot forsiden av verktøyet. Du kan utføre skråningsgjærningen på opptil 48°.

► **Fig.25:** 1. Utløserspak

Denne gjæringsssagen har en funksjon for fast anslag. Du kan raskt stille inn en vinkel på 22,5° og 33,9° både til høyre og venstre. Sett låsehendelen i den illustrerte stillingen, og vipp sleden. Hvis du vil endre vinkel, drar du i låsehendelen og vipper sleden.

► **Fig.26:** 1. Låsehendel

⚠FORSIKTIG: Når du har endret skråvinkelen, må du alltid skru til knotten.

Skyvelås

Hvis du vil låse sledens glidebevegelse, skyver du sleden mot føringsflaten til den stopper. Dra i anslagsstiften, og roter den 90°.

► **Fig.27:** 1. Ulåst stilling 2. Låst stilling 3. Anslagsstift

Bryterfunksjon

⚠ADVARSEL: Før du setter batteriene inn i verktøyet, må du alltid kontrollere om startbryteren aktiverer verktøyet på riktig måte og går tilbake til "AV"-stilling når den slippes. Ikke dra hardt i startbryteren uten å trykke inn AV-sperreknappen. Det kan føre til at bryteren knekker. Hvis du bruker verktøyet med en bryter som ikke fungerer som den skal, kan du komme til å miste kontrollen, og det kan føre til alvorlig personskade.

⚠ADVARSEL: Maskinen må ALDRI brukes uten at startbryteren er i perfekt stand. Det er SVÆRT FARLIG å bruke maskinen når bryteren er defekt. Reparer bryteren før du bruker maskinen. Hvis dette ikke gjøres, er det fare for alvorlig personskade.

⚠ADVARSEL: ALDRI sett avsperringsknappen ute av funksjon ved å for eksempel teipe over den. En defekt avsperringsknapp kan føre til at maskinen aktiveres utilsiktet og alvorlige personskader kan oppstå.

⚠ADVARSEL: Maskinen må ALDRI brukes hvis den begynner å gå bare du trykker på startbryteren, uten at du må trykke på avsperringsknappen også. En skadet/defekt bryter kan føre til at maskinen aktiveres utilsiktet og alvorlige personskader kan oppstå. Returner maskinen til et Makita-servicesenter for å få den reparert FØR videre bruk.

► **Fig.28:** 1. Startbryter 2. AV-sperreknapp 3. Hull for hengelås

For å unngå at noen drar i startbryteren ved en feiltakelse er verktøyet utstyrt med en AV-sperreknapp. For å starte verktøyet må du trykke inn AV-sperreknappen og dra i startbryteren. Slipp startbryteren når du vil stanse verktøyet. Startbryteren har et hull for feste av en hengelås til å låse verktøyet med.

⚠ADVARSEL: Ikke bruk lås med bøyلة eller kabel mindre enn 6,35 mm (1/4") i diameter. En mindre bøyلة eller kabel vil kanskje ikke kunne låse verktøyet i AV-stilling, noe som kan medføre utilsiktet start av verktøyet og alvorlige personskader.

Elektronisk funksjon

Konstant hastighetskontroll

Maskinen leveres med en elektronisk hastighetskontroll som bidrar til å holde bladets rotasjonshastighet konstant, selv under belastning. Når bladets rotasjonshastighet er konstant, vil snittet bli svært glatt.

Mykstartfunksjon

Denne funksjonen begrenser oppstarts dreiemomentet slik at verktøypopstarten går smidig.

Laserstrålefunksjon

Kun for **DLS111, DLS112**

⚠FORSIKTIG: Se aldri inn i laserstrålen. Direkte laserstråler kan skade øynene dine.

Trykk på øvre del av bryteren (I) for å slå på laserstrålen. Trykk på bryterens nedre stilling (O) for å slå av laserstrålen.

► **Fig.29:** 1. Bryter for laser

Laserlinjen kan flyttes til venstre eller høyre side av sagbladet ved å dreie skruen på følgende måte.

► **Fig.30:** 1. Justeringsskrue

1. Løsne justeringsskruen ved å dreie den mot klokken.
2. Skyv justeringsskruen mot høyre eller venstre så langt det går når den er løs.
3. Stram skruen godt i stillingen hvor den slutter å bevege seg.

MERK: Laserlinjen er fabrikkinnstilt slik at den er posisjonert innenfor 1 mm fra siden på bladet (skjæreposisjon).

MERK: Hvis laserlinjen er uklar og vanskelig å se på grunn av direkte sollys, bør du flytte arbeidsområdet til et sted hvor det er mindre direkte sollys.

Innrette laserlinjen

Innrett skjærelinjen på arbeidsstykket med laserlinjen.

► **Fig.31**

A) Når du ønsker å oppnå riktig størrelse på venstre side av arbeidsstykket, flytter du laserlinjen til venstre side av bladet.

B) Når du ønsker å oppnå riktig størrelse på høyre side av arbeidsstykket, flytter du laserlinjen til høyre side av bladet.

MERK: Bruk tre mot føringsflaten når du innretter skjærlinjen med laserlinjen på siden av føringsflaten ved lamellsaging (skråvinkel 45° og gjæringsvinkel høyre 45°).

MONTERING

⚠ADVARSEL: Forviss deg alltid om at maskinen er slått av og batteriet er fjernet før du utfører noe arbeid på maskinen. Hvis du unnlater å slå av støvsugeren og fjerne batteriet, kan det oppstå alvorlige personskader.

Oppbevare sekskantnøkkel

Når sekskantnøkkelen ikke er i bruk, må du oppbevare den som vist i figuren, slik at du ikke mister den.

► **Fig.32:** 1. Sekskantnøkkel

Demontere og montere sagbladet

⚠ADVARSEL: Forviss deg alltid om at verktøyet er slått av og batteriet er tatt ut før du monterer eller demonterer bladet. Hvis verktøyet utilsikket slås på, kan det føre til alvorlig personskade.

⚠ADVARSEL: Ikke bruk en annen nøkkel enn Makita-nøkkelen til å montere eller demontere bladet. Hvis nøkkelen ikke brukes, kan dette føre til at sekskantskruen strammes for mye eller for lite og dermed til alvorlig personskade.

Lås alltid sleden i låst stillingen før du demonterer og monterer bladet. Dra i anslagsstiften, og roter den 90° med sleden hevet.

► **Fig.33:** 1. Ulåst stilling 2. Låst stilling 3. Anslagsstift

Demontere bladet

Bruk sekskantnøkkelen for å løsne sekskantskruen som holder midtdekelet. Løft bladvernet og midtdekelet.

► **Fig.34:** 1. Midtdeksel 2. Sekskantnøkkel 3. Bladvern

Trykk på spindellåsen for å låse spindelen, og bruk nøkkelen til å løsne sekskantskruen. Fjern deretter sekskantskruen, den ytre flensen og bladet.

► **Fig.35:** 1. Spindellås 2. Sekskantnøkkel 3. Sekskantskrue (venstre) 4. Løsne 5. Stramme

Montere bladet

Monter bladet ved å sette det forsiktig på spindelen, og forsikre deg om at pilretningen på bladoverflaten stemmer overens med pilretningen på bladkassen.

► **Fig.36:** 1. Pil på bladkassen 2. Pil på bladet

Monter den ytre flensen og sekskantskruen. Bruk sekskantnøkkelen til å stramme sekskantskruen mot klokken mens du trykker spindellåsen ned.

► **Fig.37:** 1. Sekskantskrue 2. Ytre flens 3. Sagblad 4. Indre flens 5. Spindel 6. Skive

OBS: Dersom den indre flensen fjernes, må du passe på å montere den på spindelen slik at delen som stikker ut er vendt bort fra bladet. Hvis flensen er satt i feil, vil den gnisse mot maskinen.

Sett bladvernet og midtdekelet tilbake i utgangsstillingen. Stram sekskantskruen med klokken for å sikre midtdekelet. Frigjør anslagsstiften for å løse sleden fra hevet stilling. Senk hendelen for å passe på at bladvernet beveger seg som det skal. Forsikre deg om at spindellåsen har frigjort spindelen før du sager.

⚠ADVARSEL: Før du monterer bladet på spindelen, må du alltid være sikker på at det er den skiven som passer til bladets akselhull du har tenkt å bruke som er montert mellom indre og ytre flensen. Ved bruk av feil akselhullskive vil bladet kanskje ikke monteres riktig. Dette kan føre til at bladet begynner å vandre og vibrere kraftig, at du mister kontrollen over maskinen under arbeidet og til alvorlige helseskader.

Koble til støvsuger

Hvis du vil sage så rent som mulig, kan du koble en Makita-støvsuger til støvmunnstykket ved hjelp av en frontmansjett 24 (valgfritt tilbehør).

► **Fig.38:** 1. Frontmansjett 24 2. Slange 3. Støvsuger

Støvpose

Bruk av støvposer gjør skjærearbeider rene og letter støvoppsamlingen. Fjern støvavgusslangen på verktøyet, og koble til støvposen.

► **Fig.39:** 1. Støvavgusslange 2. Støvpose

Når støvposten er omtrent halvfull, må du ta den av maskinen og trekke ut festemekanismen. Tøm støvposen, og bank den forsiktig for å fjerne partikler som har festet seg til innsiden og som kan hindre videre støvoppsamling.

► **Fig.40:** 1. Festemekanisme

Sikre arbeidsemne

⚠ ADVARSEL: Det er uhyre viktig at du alltid sikrer arbeidsstykket korrekt med en passende type skrustikke eller kronestopper. Hvis dette ikke gjøres, kan resultatet bli personskader eller skader på verktøyet og/eller arbeidsstykket.

⚠ ADVARSEL: Når du er ferdig med å sage, er det svært viktig at du ikke løfter bladet før det har stanset helt. Hvis du løfter et blad som ruller, risikerer du alvorlige skader både på deg selv og arbeidsstykket.

⚠ ADVARSEL: Når du sager et arbeidsstykke som er lengre enn sagens støttefot, må hele lengden av materialet støttes opp forbi støttefoten og på samme høyde for å holde materialet plant. Når arbeidsstykket er godt støttet, er det mindre risiko for farlige tilbakeslag og at bladet kommer i klem. Ikke stol på at bare den vertikale skrustikken og/eller den horisontale skrustikken sikrer arbeidsstykket. Tynne materialer har en tendens til å gi etter. Støtt arbeidsstykket i hele lengden for å unngå at bladet kommer i klem og at det oppstår TILBAKESLAG.

► **Fig.41:** 1. Støtte 2. Dreiefot

Føringsflater

⚠ ADVARSEL: Forsikre deg om at den øvre anleggsflaten er ordentlig festet før du bruker verktøyet.

⚠ ADVARSEL: Ved gjærings-saging i vertikalplanet må du passe på at ingen deler av verktøyet, særlig bladet, på noe som helst tidspunkt berører de øvre eller nedre anleggsflatene når hendelen heves/senkes og sleden beveges. Hvis verktøyet eller bladet kommer i kontakt med anleggsflaten, kan det føre til tilbakeslag eller uventet bevegelse av materialet og alvorlig personskade.

Bruk øvre anleggsflater for å støtte materialet høyere enn de nedre anleggsflatene. Sett den øvre anleggsflaten inn i hullet på den nedre anleggsflaten, og stram klemmeskruen.

► **Fig.42:** 1. Øvre anleggsflate 2. Nedre anleggsflate 3. Klemmeskrue 4. Justeringskrue

OBS: De nedre anleggsflatene er festet til foten ved fabrikk. Ikke fjern de nedre anleggsflatene.

OBS: Hvis den øvre anleggsflaten fortsatt er løs etter at du har strammet klemmeskruen, dreier du justeringskruen for å lukke sprekken. Justeringskruen er justert ved fabrikk. Du trenger ikke å bruke den uten at det er behov for det.

Du kan oppbevare de øvre anleggsflatene på holderen når de ikke er i bruk. Bruk klemmen på den øvre anleggsflaten til å holde den på holderen.

► **Fig.43:** 1. Holder 2. Øvre anleggsflate 3. Klemme

Vertikal skrustikke

⚠ ADVARSEL: Arbeidsstykket må sikres godt mot dreiefoten og føringsflaten med skrustikken under alle typer bruk. Hvis arbeidsstykket ikke er godt festet mot anleggsflaten, kan materialet bevege seg under saging. Dette kan gi skader på bladet, samt medføre at materialet kastes og du mister kontroll over arbeidsstykket/sagen. Resultatet kan bli alvorlige personskader.

► **Fig.44:** 1. Skrustikkearm 2. Skrustikkestang 3. Klemmeskrue 4. Skrustikkeknott

Den vertikale skrustikken kan monteres i to stillinger, enten på venstre eller høyre side av foten. Sett skrustikkestangen inn i hullet i foten.

Plasser skrustikkearmen i samsvar med tykkelsen av og formen på arbeidsstykket, og fest skrustikkearmen ved å stramme skruen. Hvis den øvre klemmeskruen berører sleden, må du montere den på motsatt side av skrustikkearmen. Forviss deg om at ingen deler av sagan er i berøring med skrustikken når du senker hendelen helt ned. Hvis noen deler berører skrustikken, må du flytte den.

Trykk arbeidsemnet mot føringsflaten og dreiefoten. Plasser arbeidsemnet i ønsket skjæreposisjon og sikre det godt ved å stramme skrustikkeknotten.

MERK: For å feste arbeidsstykket raskt, kan du dreie skrustikkeknotten 90° mot klokken slik at skrustikkeknotten kan beveges opp og ned. For å sikre arbeidsstykket etter at det er satt inn, må du dreie skrustikkeknotten med klokken.

Horisontal skrustikke

Valgfritt tilbehør

⚠ ADVARSEL: Skrustikkemutteren skal alltid skrue med klokken inntil arbeidsstykket sitter godt fast. Hvis arbeidsstykket ikke sitter helt fast, kan materialet bevege seg under saging. Dette kan gi skader på bladet, samt medføre at materialet kastes og du mister kontroll over arbeidsstykket/verktøyet. Resultatet kan bli alvorlige personskader.

⚠ ADVARSEL: Når du sager et tynt arbeidsstykke, for eksempel basisbord, mot anleggsflaten, må du alltid bruke den horisontale skrustikken.

Den horisontale skrustikken kan monteres i to stillinger på enten venstre eller høyre side av foten. Når du utfører gjærings-saging på 22,5° eller mer, må den horisontale skrustikken monteres på motsatt side i forhold til retningen dreiefoten dreies.

► **Fig.45:** 1. Skrustikkeplate 2. Skrustikkemutter 3. Skrustikkeknott

Når du rykker skrustikkemutteren mot klokken, blir skrustikken sluppet opp og beveger seg raskt inn og ut. For å gripe arbeidsstykket skyver du først skrustikkeknotten fremover inntil skrustikkeflaten berører arbeidsstykket. Deretter dreier du skrustikkeknotten med klokken for å sikre arbeidsstykket.

MERK: Maksimal bredde på et arbeidsstykke som kan sikres med den horisontale skrustikken er 228 mm.

Holdere

⚠ ADVARSEL: Et langt arbeidsstykke må alltid støttes opp slik at det blir plant med den øvre overflaten av dreiefoten. Dette for å sage nøyaktig og unngå at du mister kontrollen over verktøyet. Når arbeidsstykket er godt støttet, er det mindre risiko for farlige tilbakeslag og at bladet kommer i klem.

Holdere er plassert på begge sider av verktøyet for å holde lange arbeidsstykker horisontalt. Løse skruene, og trekk ut holderne til riktig lengde for å holde arbeidsstykket. Stram deretter skruen på bladet.

► Fig.46: 1. Holder 2. Skru

BRUK

⚠ ADVARSEL: Forviss deg om at bladet ikke er i kontakt med arbeidsstykket, osv. før startbryteren slås på. Hvis verktøyet slås på mens bladet er i kontakt med arbeidsstykket, kan dette føre til tilbakeslag og alvorlige personskader.

⚠ ADVARSEL: Når du er ferdig å sage, er det svært viktig at du ikke løfter bladet før det har stanset helt. Hvis du løfter et blad som ruller, risikerer du alvorlige skader både på deg selv og arbeidsstykket.

⚠ ADVARSEL: Ikke utfør justeringer, som å dreie håndtak, knott og spaker på verktøyet, mens bladet roterer. Justering mens bladet roterer kan føre til alvorlige personskader.

OBS: Pass på å frigjøre anslagsstiften og løsne hendelen fra senket stilling før bruk.

OBS: Ikke legg stort trykk på hendelen når du sager. For mye kraft kan føre til at motoren overbelastes og/eller at sageeffekten reduseres. Skyv ned hendelen med den kraften som trengs for jevn saging og uten merkbar reduksjon i bladets hastighet.

OBS: Trykk hendelen forsiktig ned for å gjenomføre kuttet. Hvis håndtaket trykkes ned med makt eller det brukes sidekraft, kan bladet vibrere og lage et merke (sagmerke) i arbeidsemnet. Dette kan ødelegge presisjonen i kuttet.

OBS: Når du bruker uttrekksfunksjonen, må du skyve sleden forsiktig mot føringsflaten uten å stoppe. Hvis sledebevegelsen stopper under saging, etterlates det et merke i arbeidsstykket, og presisjonen i kuttet ødelegges.

Trykksaging

⚠ ADVARSEL: Låse alltid sledens glidebevegelse når du skal utføre pressaging. Hvis du sager uten lås, kan det oppstå farlige tilbakeslag.

Arbeidsstykker som er opptil 68 mm høyde og 160 mm brede kan sages på følgende måte.

► Fig.47: 1. Anslagsstift

1. Skyv sleden mot føringsflaten til den stopper, og lås den med anslagsstiften.
2. Fest arbeidsstykket godt ved hjelp av den angitte skrustikken.
3. Slå på sagen uten at bladet er i kontakt med noe, og vent til bladet oppnår full hastighet før du senker.
4. Senk håndtaket forsiktig til nederste stilling for å kappe arbeidsstykket.
5. Når snittet er laget, må du slå av maskinen og vente til bladet har stoppet helt før du setter bladet tilbake i helt oppreist stilling.

Skyvesaging (sage brede arbeidsstykker)

⚠ ADVARSEL: Når du bruker uttrekksfunksjonen for å kappe et arbeidsstykke, må du først trekke vognen helt til deg og trykke håndtaket helt ned. Deretter skyver du vognen mot føringsvernet. Vognen skal alltid være trukket helt mot deg før du begynner å sage. Hvis du bruker uttrekksfunksjonen for å kappe et arbeidsstykke og vognen ikke er trukket helt mot deg, kan det oppstå farlige tilbakeslag (kickback).

⚠ ADVARSEL: Aldri forsøk å dra vognen mot deg for å bruke uttrekksfunksjonen for å kappe et arbeidsstykke. Hvis du trekker vognen mot deg mens du sager, kan det oppstå uventede tilbakeslag (kickback) som kan gi alvorlige personskader.

⚠ ADVARSEL: Aldri bruk uttrekksfunksjonen for å kappe et arbeidsstykke når håndtaket er låst i senket stilling.

► Fig.48: 1. Anslagsstift

1. Frigjør anslagsstiften slik at sleden kan bevege seg fritt.
2. Fest arbeidsstykket godt ved hjelp av den angitte skrustikken.
3. Trekk vognen helt mot deg.
4. Slå på sagen uten at bladet er i kontakt med noe, og vent til bladet oppnår full hastighet.
5. Trykk ned håndtaket og skyv vognen mot føringsvernet og gjennom arbeidstrykket.
6. Når snittet er laget, må du slå av maskinen og vente til bladet har stoppet helt før du setter bladet tilbake i helt oppreist stilling.

Gjærsaging

Se avsnittet «Justere gjæringsvinkelen».

Skråskjæring

⚠ ADVARSEL: Når bladet er stilt inn for gjærings-saging i vertikalplanet, må du forsikre deg om at sleden og bladet kan bevege seg fritt under hele sagingen før du bruker verktøyet. Hvis sleden eller bladet blir hindret under sagingen, kan det oppstå tilbakeslag som kan gi alvorlige personskader.

⚠ ADVARSEL: Når du utfører gjærings-saging i vertikalplanet må du passe på å holde hendene borte fra sagbladets bane. Vær oppmerksom på at bladvinkelen kan gi et feilaktig inntrykk av sagbladets faktiske bane. Kontakt med sagbladet vil gi alvorlige personskader

⚠ ADVARSEL: Ikke hev bladet før det har stoppet helt. Ved gjærings-saging i vertikalplanet kan det skje at det avkappede arbeidsstykket hviler mot bladet. Hvis bladet da heves mens det fremdeles roterer, kan det kaste ut den avkappede biten. Dette vil føre til at materialet fliser seg opp, og alvorlige personskader kan oppstå.

OBS: Når du trykker ned hendelen, må du trykke parallelt med bladet. Hvis du trykker i vertikal retning for dreiefoten, eller endrer trykkretningen mens du sager, vil snittet bli mindre presist.

► Fig.49

1. Fjern den øvre anleggsflaten på siden som du har tenkt å vippe sleden.
2. Frigjør anslagsstiften.
3. Juster skråvinkelen i henhold til prosedyren som beskrives i avsnittet "Justere skråvinkelen". Stram deretter knotten.
4. Fest arbeidsstykket med en skrustikke.
5. Trekk vognen helt mot deg.
6. Slå på sagen uten at bladet er i kontakt med noe, og vent til bladet oppnår full hastighet.
7. Senk hendelen forsiktig til helt senket posisjon mens du utøver trykk parallelt med bladet, og **skyv sleden mot føringsflaten for å sage arbeidsemnet.**
8. Når snittet er laget, må du slå av maskinen og **vente til bladet har stoppet helt** før du setter bladet tilbake i helt oppreist stilling.

Lamellsaging

Lamellsaging er prosessen hvor en skråvinkel lages samtidig som en gjæringsvinkel sages på et arbeids-emne. Kombinasjonssaging kan utføres i vinkelen som er angitt i tabellen.

| Gjæringsvinkel | Skjæringsvinkel |
|---------------------------|---------------------------|
| Venstre og høyre 0° – 45° | Venstre og høyre 0° – 45° |

Når du utfører lamellsaging, finner du forklaringer i "Trykksaging", "Skyvesaging", "Gjærsaging" og "Skråskjæring".

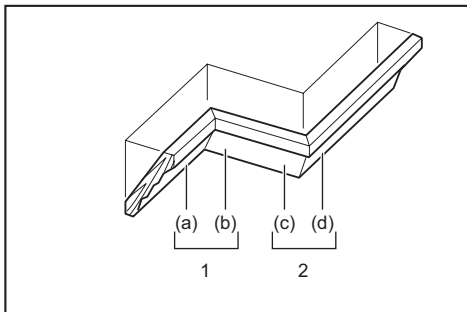
Sage profilister og hulkillister

Profilister og hulkillister kan sages på en gjærings-sag for kombinasjonssaging, med listene lagt flatt på dreiefoten.

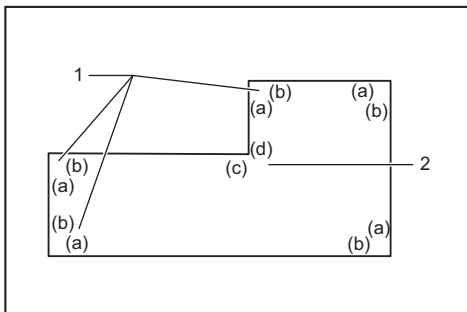
Det finnes to vanlige typer profilist og en vanlig type hulkillist; profilist med 52/38° veggvinkel, profilist med 45° veggvinkel og hulkillist med 45° veggvinkel.

► **Fig.50:** 1. Profilist med 52/38° vinkel 2. Profilist med 45° vinkel 3. Hulkillist med 45° vinkel

Listene kan kappes til å passe til «innvendige» 90° hjørner ((a) og (b)) på figuren og «utvendige» 90° hjørner ((c) og (d)) på figuren).



1. Innvendig hjørne 2. Utvendig hjørne



1. Innvendig hjørne 2. Utvendig hjørne

Måling

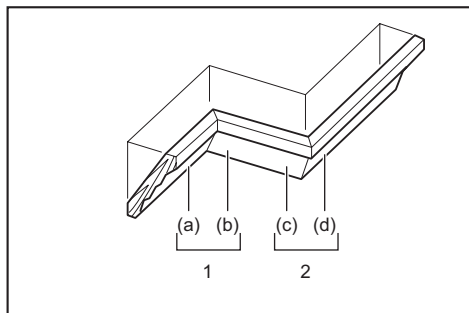
Mål veggbredden, og mål bredden til arbeidsemnet i henhold til den. Sørg for at kontaktflaten mot vegg er den samme som veggengde.

► **Fig.51:** 1. Arbeidsemne 2. Veggbredde 3. Bredde på arbeidsemne 4. Kontaktflate mot vegg

Bruk alltid flere biter til testkapping for å kontrollere snittvinklene.

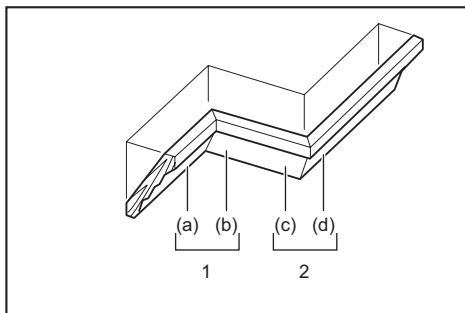
Når du sager profilister og hulkillister må du stille inn gjæringsvinklene i vertikalplanet og horisontalplanet som vist i tabell (A), og plassere listene på overflaten av sagfoten, som vist i tabell (B).

Venstre gjæringssnitt i vertikalplanet



1. Innvendig hjørne 2. Utvendig hjørne

Høyre skråskjæring i vertikalplanet



1. Innvendig hjørne 2. Utvendig hjørne

Tabell (A)

| – | Listposisjon i figuren | Skjæringsvinkel | | Gjæringsvinkel | |
|----------------------|------------------------|-------------------|----------------|-------------------|----------------|
| | | Med 52/38° vinkel | Med 45° vinkel | Med 52/38° vinkel | Med 45° vinkel |
| For innvendig hjørne | (a) | Venstre 33,9° | Venstre 30° | Høyre 31,6° | Høyre 35,3° |
| | (b) | | | Venstre 31,6° | Venstre 35,3° |
| For utvendig hjørne | (c) | | | Høyre 31,6° | Høyre 35,3° |
| | (d) | | | | |

Tabell (A)

| – | Listposisjon i figuren | Skjæringsvinkel | | Gjæringsvinkel | |
|----------------------|------------------------|-------------------|----------------|-------------------|----------------|
| | | Med 52/38° vinkel | Med 45° vinkel | Med 52/38° vinkel | Med 45° vinkel |
| For innvendig hjørne | (a) | Høyre 33,9° | Høyre 30° | Høyre 31,6° | Høyre 35,3° |
| | (b) | | | Venstre 31,6° | Venstre 35,3° |
| For utvendig hjørne | (c) | | | Høyre 31,6° | Høyre 35,3° |
| | (d) | | | | |

Tabell (B)

| – | Listposisjon i figuren | Listkant mot føringsflate | Ferdig stykke |
|----------------------|------------------------|---|---|
| For innvendig hjørne | (a) | Kontaktflaten mot taket skal posisjoneres mot føringsflaten. | Det ferdige stykket vil være på venstre side av bladet. |
| | (b) | Kontaktflaten mot veggen skal posisjoneres mot føringsflaten. | Det ferdige stykket vil være på høyre side av bladet. |
| For utvendig hjørne | (c) | Kontaktflaten mot taket skal posisjoneres mot føringsflaten. | Det ferdige stykket vil være på høyre side av bladet. |
| | (d) | Kontaktflaten mot veggen skal posisjoneres mot føringsflaten. | Det ferdige stykket vil være på venstre side av bladet. |

Tabell (B)

| – | Listposisjon i figuren | Listkant mot føringsflate | Ferdig stykke |
|----------------------|------------------------|---|---|
| For innvendig hjørne | (a) | Kontaktflaten mot veggen skal posisjoneres mot føringsflaten. | Det ferdige stykket vil være på høyre side av bladet. |
| | (b) | Kontaktflaten mot taket skal posisjoneres mot føringsflaten. | Det ferdige stykket vil være på venstre side av bladet. |
| For utvendig hjørne | (c) | Kontaktflaten mot taket skal posisjoneres mot føringsflaten. | Det ferdige stykket vil være på høyre side av bladet. |
| | (d) | Kontaktflaten mot veggen skal posisjoneres mot føringsflaten. | Det ferdige stykket vil være på venstre side av bladet. |

Eksempel:

Ved saging av profillist med 52/38° vinkel for posisjon (a) på figuren:

- Vipp og fest innstillingen for gjæring i vertikalplanet på 33,9° VENSTRE.
- Juster og fest innstillingen for gjæring i horisontalplanet på 31,6° HØYRE.
- Legg profillisten med dens brede baksideoverflate (skjult) ned på dreiefoten, med KONTAKTFLATEN MOT TAKET mot føringsvernet til sagen.
- Det ferdige stykket som skal brukes, vil alltid befinne seg til VENSTRE for bladet etter at snittet er utført.

Eksempel:

Ved saging av profillist med 52/38° vinkel for posisjon (a) på figuren:

- Vipp og fest innstillingen for skråvinkel på 33,9° HØYRE.
- Juster og fest innstillingen for gjæring i horisontalplanet på 31,6° HØYRE.
- Legg profillisten med den brede baksideoverflate (skjult) ned på dreiefoten, med KONTAKTFLATEN MOT VEGGEN mot føringsflaten på sagen.
- Det ferdige stykket som skal brukes, vil alltid befinne seg til VENSTRE for bladet etter at snittet er utført.

Profiliststopper

Valgfritt tilbehør

Profiliststopperne gjør det enklere å sage profilister uten å måtte vippe sagbladet. Monter dem på dreiefoten som vist i figuren.

Ved høyre 45° gjæringsvinkel i horisontalplanet

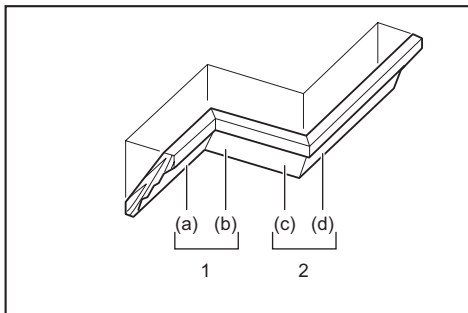
► **Fig.52:** 1. Profiliststopper V 2. Profiliststopper H 3. Dreiefot 4. Føringsflate

Ved venstre 45° gjæringsvinkel i horisontalplanet

► **Fig.53:** 1. Profiliststopper V 2. Profiliststopper H 3. Dreiefot 4. Føringsflate

Plasser profilisten med KONTAKTFLATEN MOT VEGGEN mot føringsflaten og KONTAKTFLATEN MOT TAKEET mot profiliststopperne som vist i figuren. Juster profiliststopperne i henhold til profilistens mål. Stram skruene for å feste profiliststopperne. Se tabellen (C) for å finne den horisontale gjæringsvinkelen.

► **Fig.54:** 1. Føringsflate 2. Profiliststopper



1. Innvendig hjørne 2. Utvendig hjørne

Tabell (C)

| – | Listposisjon i figuren | Gjæringsvinkel | Ferdig stykke |
|----------------------|------------------------|----------------|-------------------------------|
| For innvendig hjørne | (a) | Høyre 45° | Det på høyre side av bladet |
| | (b) | Venstre 45° | Det på venstre side av bladet |
| For utvendig hjørne | (c) | | Det på høyre side av bladet |
| | (d) | Høyre 45° | Det på venstre side av bladet |

Sage aluminiumsekstrudering

► **Fig.55:** 1. Skrustikke 2. Avstandskloss 3. Føringsflate 4. Aluminiumsekstruderingen 5. Avstandskloss

Når du sikrer aluminiumsekstruderinger, må du bruke avstandsklosser eller biter av kapp, som vist i figuren, for å forhindre at aluminiumen deformeres. Bruk en skjærevæske når du sager aluminiumsekstruderingen for å forhindre at det legger seg aluminiumsstøv på bladet.

⚠ADVARSEL: Prøv aldri å sage tykke eller runde aluminiumsprofiler. Tykke eller runde aluminiumsprofiler kan være vanskelige å feste tilstrekkelig, og arbeidsstykket kan løsne når du sager. Dette kan føre til at du mister kontrollen over arbeidsstykket/verktøyet og påføres alvorlige skader.

Sporsaging

⚠ADVARSEL: Ikke forsøk å utføre denne typen kutt ved hjelp av en bredere bladtype eller et falseblad. Hvis du forsøker å skjære riller ved hjelp av et bredere blad eller falseblad, kan sageresultatene bli dårlige og det kan oppstå farlige tilbakeslag (kickback).

⚠ADVARSEL: Sett stopperarmen tilbake til utgangsposisjon når du utfører noe annet enn sporsaging. Hvis du forsøker å sage når stopperarmen står i feil posisjon, kan sageresultatene bli dårlige og det kan oppstå farlige tilbakeslag (kickback).

For dadokutt må du gjøre følgende:

1. Juster nedre grenseposisjon for bladet med justeringsskruen og stopperarmen, for å begrense bladets skjæredybde. Se avsnittet «Stopperarm».
 2. Når du har justert bladets nedre grenseposisjon, kutter du parallelle riller på tvers av arbeidsstykkets bredde. Bruk uttrekksfunksjonen.
- **Fig.56:** 1. Skjær riller med blad
3. Bruk et huggeri for å fjerne arbeidsstykkematerialet mellom rillene.

Bærbart verktøy

Før du flytter på verktøyet, må du forvise deg om at batteriene er tatt ut og at alle bevegelige deler på gjæringsagen er sikret. Kontroller alltid følgende:

- Batteriene er tatt ut.
- Sleden står i skråvinkelstilling 0° og er sikret.
- Sleden er senket og låst.
- Sleden er skjovet helt inntil føringsflaten og låst.
- Dreiefoten er helt i høyre skråvinkelstilling og sikret.
- Holderne er lagt bort og sikret.

Bær verktøyet ved å holde begge sidene på sagfoten som vist i figuren.

► **Fig.57**

⚠ADVARSEL: Anslagsstiften for bæring er kun for bæring og oppbevaring, og ikke for saging. Hvis du bruker anslagsstiften når du sager, kan sagbladet gjøre uventede bevegelser. Dette kan forårsake tilbakeslag som kan gi alvorlige personskader.

⚠FORSIKTIG: Sikre alle bevegelige deler før du flytter verktøyet. Hvis deler av verktøyet kommer i bevegelse eller begynner å gli under flyttingen, kan verktøyet komme i ubalanse og føre til personskader.

TRÅDLØSAKTIVERINGS- FUNKSJON

Kun for DLS111

Hva du kan gjøre med trådløsaaktiveringsfunksjonen

Trådløsaaktiveringsfunksjonen muliggjør ren og behagelig bruk. Hvis du kobler en støttet støvsuger til verktøyet, kan du bruke støvsugeren automatisk sammen med verktøyets bryterfunksjon.

► Fig.58

Hvis du vil bruke trådløsaaktiveringsfunksjonen, må du klargjøre følgende elementer:

- En trådløs enhet
- En støvsuger som støtter trådløsaaktiveringsfunksjonen

Overikten over innstillingen for trådløsaaktiveringsfunksjonen er som følger. Du finner detaljerte fremgangsmåter i hver enkelt del.

1. Installere den trådløse enheten
2. Verktøyregistrering for støvsugeren
3. Starte trådløsaaktiveringsfunksjonen

Installere den trådløse enheten

⚠ FORSIKTIG: Plasser verktøyet på et flatt og stabilt underlag når du skal installere den trådløse enheten.

OBS: Fjern støv og smuss på verktøyet før du installerer den trådløse enheten. Støv eller smuss kan føre til funksjonsfeil hvis det trenger inn i den trådløse enhetens spor.

OBS: For å unngå funksjonsfeil som følge av statisk elektrisitet, berører du et statisk utladningsmateriale, som en av verktøyets metalldele, før du tar i den trådløse enheten.

OBS: Når du installerer den trådløse enheten, må du passe på at den trådløse enheten settes inn i riktig rettet og at lokket lukkes helt igjen.

1. Åpne lokket på verktøyet som vist i figuren.
► Fig.59: 1. Lokk
2. Sett den trådløse enheten inn i sporet, og lukk lokket.

Når du setter inn den trådløse enheten, innretter du fremspringene med de utsparte delene på sporet.

► Fig.60: 1. Trådløs enhet 2. Fremspring 3. Lokk 4. Utspart del

Når du fjerner den trådløse enheten, må du åpne lokket sakte. Krokene på baksiden av lokket vil løfte den trådløse enheten når du drar i lokket.

► Fig.61: 1. Trådløs enhet 2. Krok 3. Lokk

Etter at du har fjernet den trådløse enheten, oppbevares den i esken som følger med eller en beholder som ikke er statisk.

OBS: Du må alltid bruke krokene på baksiden av lokket når du fjerner den trådløse enheten. Hvis krokene ikke hefter seg fast i den trådløse enheten, lukker du lokket helt og åpner det sakte på nytt.

Verktøyregistrering for støvsugeren

MERK: En Makita-støvsuger som støtter trådløsaaktiveringsfunksjonen er nødvendig for verktøyregistrering.

MERK: Fullfør installasjonen av den trådløse enheten i verktøyet før du starter verktøyregistreringen.

MERK: Du må ikke dra i startbryteren eller slå på strømbryteren på støvsugeren under verktøyregistrering.

MERK: Les i tillegg brukerveiledningen for støvsugeren.

Hvis du ønsker å aktivere støvsugeren sammen med verktøyets bryterfunksjon, må du fullføre verktøyregistreringen på forhånd.

1. Sett batteriene i støvsugeren og verktøyet.
2. Still ventebryteren på støvsugeren på "AUTO".

► Fig.62: 1. Ventebryter

3. Trykk på trådløsaaktiveringsknappen på støvsugeren i 3 sekunder til trådløsaaktiveringslampen blinker grønt. Deretter trykker du på trådløsaaktiveringsknappen på verktøyet på samme måte.

► Fig.63: 1. Trådløsaaktiveringsknapp
2. Trådløsaaktiveringslampe

Hvis koblingen av støvsugeren og verktøyet lykkes, vil trådløsaaktiveringslampene lyse grønt i 2 sekunder og begynner å blinke blått.

MERK: Trådløsaaktiveringslampene slutter å blinke grønt når det har gått 20 sekunder. Trykk på trådløsaaktiveringsfunksjonen på verktøyet mens trådløsaaktiveringslampen på støvsugeren blinker. Hvis trådløsaaktiveringslampen ikke blinker grønt, trykker du på trådløsaaktiveringsknappen et kort øyeblikk og holder den inne igjen.

MERK: Når du utfører to eller flere verktøyregistreringer for én støvsuger, fullfører du verktøyregistreringen en etter en.

Starte trådløsaaktiveringsfunksjonen

MERK: Fullfør verktøyregistreringen for støvsugeren før trådløsaaktiveringen.

MERK: Les i tillegg brukerveiledningen for støvsugeren.

Etter at et verktøy er registrert til støvsugeren, vil støvsugeren automatisk svive sammen med verktøyets bryterfunksjon.

1. Installer den trådløse enheten i verktøyet.
2. Koble støvsugerens slange til verktøyet.

► Fig.64

3. Still ventebryteren på støvsugeren på "AUTO".

► Fig.65: 1. Ventebryter

4. Trykk et kort øyeblikk på trådløsaaktiveringsknappen på verktøyet. Trådløsaaktiveringslampen vil blinke blått.

► Fig.66: 1. Trådløsaaktiveringsknapp
2. Trådløsaaktiveringslampe

5. Dra i verktøyets startbryter. Kontroller om støvsugeren sviver mens du drar i startbryteren.

Hvis du vil stanse støvsugerens trådløsaktivering, trykker du på trådløsaktiveringsknappen på verktøyet.

MERK: Trådløsaktiveringslampen på verktøyet vil slutte å blinke blått når verktøyet ikke har blitt brukt på 2 timer. Da setter du i tilfelle ventebryteren på støvsugeren på "AUTO" og trykker på trådløsaktiveringsknappen på verktøyet igjen.

MERK: Støvsugeren starter/stopper med en forsinkelse. Det er en tidsforsinkelse når støvsugeren oppdater at en bryter på verktøyet er trykket på.










MERK: Det trådløse enhetens overføringsavstand kan variere avhengig av sted og omgivelsesforhold.

MERK: Når to eller flere verktøy er registrert til én støvsuger, kan det hende at støvsugeren begynner å svive selv om du ikke drar i startbryteren, fordi en annen bruker trådløsaktiveringsfunksjonen.

Beskrivelse av trådløsaktiveringslampens status

► **Fig.67: 1.** Trådløsaktiveringslampe

Trådløsaktiveringslampen viser statusen til trådløsaktiveringsfunksjonen. Du finner informasjon om lampestatusens betydning i tabellen nedenfor.

| Status | Trådløsaktiveringslampe | | | | Beskrivelse |
|-----------------------------|-------------------------|--|---|-----------------------|--|
| | Farge |  På |  Blinker | Varighet | |
| Ventemodus | Blå |  | | 2 timer | Trådløsaktivering av støvsugeren er tilgjengelig. Lampen vil slå seg av når verktøyet ikke har blitt brukt på 2 timer. |
| | |  | | Når verktøyet sviver. | Trådløsaktivering av støvsugeren er tilgjengelig, og verktøyet sviver. |
| Verktøyregistrering | Grønn |  | | 20 sekunder | Klar for verktøyregistrering. Venter på registrering av støvsugeren. |
| | |  | | 2 sekunder | Verktøyregistreringen er fullført. Trådløsaktiveringslampen vil begynne å blinke blått. |
| Avbryte verktøyregistrering | Rød |  | | 20 sekunder | Klar for å avbryte verktøyregistrering. Venter på at støvsugeren skal avbryte. |
| | |  | | 2 sekunder | Verktøyregistreringen er avbrutt. Trådløsaktiveringslampen vil begynne å blinke blått. |
| Andre | Rød |  | | 3 sekunder | Den trådløse enheten forsynes med strøm, og trådløsaktiveringsfunksjonen starter opp. |
| | Av | - | | - | Trådløsaktivering av støvsugeren stanses. |

Avbryte verktøyregistrering for støvsugeren

Gå frem på følgende måte når du skal avbryte verktøyregistrering for støvsugeren.

1. Sett batteriene i støvsugeren og verktøyet.
2. Still ventebryteren på støvsugeren på "AUTO".

► **Fig.68: 1.** Ventebryter

3. Trykk på trådløsaktiveringsknappen på støvsugeren i 6 sekunder. Trådløsaktiveringslampen blinker grønt og blir deretter rød. Deretter trykker du på trådløsaktiveringsknappen på verktøyet på samme måte.

► **Fig.69: 1.** Trådløsaktiveringsknapp
2. Trådløsaktiveringslampe

Hvis avbrytingen er vellykket, vil trådløsaktiveringslampene lyse rødt i 2 sekunder og begynne å blinke blått.

MERK: Trådløsaktiveringslampene slutter å blinke rødt når det har gått 20 sekunder. Trykk på trådløsaktiveringsfunksjonen på verktøyet mens trådløsaktiveringslampen på støvsugeren blinker. Hvis trådløsaktiveringslampen ikke blinker rødt, trykker du på trådløsaktiveringsknappen et kort øyeblikk og holder den inne igjen.

Feilsøking for trådløstaktiveringsfunksjonen

Insipser utstyret selv før du bestiller reparasjon. Ikke prøv å demontere verktøyet hvis du finner et problem som ikke er forklart i brukerveiledningen. I stedet bør du ta kontakt med et av Makitas autoriserte servicesentre, som alltid bruker reservedeler fra Makita til reparasjoner.

| Unormal tilstand | Sannsynlig årsak (feil) | Løsning |
|--|---|---|
| Trådløstaktiveringslampen tennes/ blinker ikke. | Den trådløse enheten er ikke installert i verktøyet. Den trådløse enheten er installert på feil måte i verktøyet. | Installer den trådløse enheten på riktig måte. |
| | Det trådløse enhetens tilkoblingspunkt og/eller spor er tilsmusset. | Tørk forsiktig bort støv og smuss på den trådløse enhetens tilkoblingspunkt, og rengjør sporet. |
| | Du har ikke trykket på trådløstaktiveringsknappen. | Trykk et kort øyeblikk på trådløstaktiveringsknappen på verktøyet. |
| | Ventebryteren på støvsugeren er ikke stilt inn på "AUTO". | Still ventebryteren på støvsugeren på "AUTO". |
| | Ingen strømforsyning | Sørg for at verktøyet og støvsugeren har strømforsyning. |
| Kan ikke fullføre verktøyregistrering/ avbryte verktøyregistrering. | Den trådløse enheten er ikke installert i verktøyet. Den trådløse enheten er installert på feil måte i verktøyet. | Installer den trådløse enheten på riktig måte. |
| | Det trådløse enhetens tilkoblingspunkt og/eller spor er tilsmusset. | Tørk forsiktig bort støv og smuss på den trådløse enhetens tilkoblingspunkt, og rengjør sporet. |
| | Ventebryteren på støvsugeren er ikke stilt inn på "AUTO". | Still ventebryteren på støvsugeren på "AUTO". |
| | Ingen strømforsyning | Sørg for at verktøyet og støvsugeren har strømforsyning. |
| | Feil bruk | Trykk på trådløstaktiveringsknappen et kort øyeblikk, og utfør verktøyregistrering/avbryting på nytt. |
| | Verktøyet og støvsugeren er for langt unna hverandre (utenfor overføringsområdet). | Sørg for at verktøyet og støvsugeren er nærmere hverandre. Maksimal overføringsavstand er ca. 10 m, men den kan variere avhengig av forholdene. |
| | Før du fullfører verktøyregistrering/ avbryting: – dra i startbryteren på verktøyet, eller – slå på startknappen på støvsugeren. | Trykk på trådløstaktiveringsknappen et kort øyeblikk, og utfør verktøyregistrering/avbryting på nytt. |
| | Verktøyregistreringen for verktøyet eller støvsugeren er ikke fullført. | Følg fremgangsmåten for verktøyregistrering for både verktøyet og støvsugeren samtidig. |
| | Radioforstyrrelse fra andre innretninger som genererer radiobølger med høy intensitet. | Hold verktøyet og støvsugeren borte fra innretninger som WiFi-enheter og mikrobølgeovner. |

| Unormal tilstand | Sannsynlig årsak (feil) | Løsning |
|---|--|--|
| Støvsugeren svinger ikke sammen med verktøyet bryterfunksjon. | Den trådløse enheten er ikke installert i verktøyet. Den trådløse enheten er installert på feil måte i verktøyet. | Installer den trådløse enheten på riktig måte. |
| | Det trådløse enhetens tilkoblingspunkt og/eller spor er tilsmusset. | Tørk forsiktig bort støv og smuss på den trådløse enhetens tilkoblingspunkt, og rengjør sporet. |
| | Du har ikke trykket på trådløseaktiveringsknappen. | Trykk på trådløseaktiveringsknappen et kort øyeblikk, og kontroller at trådløseaktiveringslampen blinker blått. |
| | Ventebryteren på støvsugeren er ikke stilt inn på "AUTO". | Stil ventebryteren på støvsugeren på "AUTO". |
| | Mer enn 10 verktøy er registrert til støvsugeren. | Utfør verktøyregistreringen på nytt. Hvis mer enn 10 verktøy er registrert til støvsugeren, vil det først registrerte verktøyet bli fjernet automatisk. |
| | Støvsugeren slettet alle verktøyregistreringer. | Utfør verktøyregistreringen på nytt. |
| | Ingen strømforsyning | Sørg for at verktøyet og støvsugeren har strømforsyning. |
| | Verktøyet og støvsugeren er for langt unna hverandre (utenfor overføringsområdet). | Sørg for at verktøyet og støvsugeren er nærmere hverandre. Maksimal overføringsavstand er ca. 10 m, men den kan variere avhengig av forholdene. |
| | Radioforstyrrelse fra andre innretninger som genererer radiobølger med høy intensitet. | Hold verktøyet og støvsugeren borte fra innretninger som WiFi-enheter og mikrobølgeovner. |
| Støvsugeren svinger når du ikke drar i startbryteren. | Andre brukere bruker støvsugerens trådløseaktivering med verktøyene sine. | Slå av de andre verktøyenes trådløseaktiveringsknapp, eller avbryt verktøyregistrering for andre verktøy. |

VEDLIKEHOLD

⚠ ADVARSEL: Forviss deg alltid om at verktøyet er slått av og batteriene tatt ut før du foretar inspeksjon eller vedlikehold. Hvis du ikke tar ut batteriene og slår av verktøyet, kan det utilsikket bli startet opp og føre til alvorlig personskade.

⚠ ADVARSEL: Du må alltid sørge for at bladet er slipt og rent for best og sikrest mulig ytelse. Hvis du forsøker å kutte med et sløvt og/eller skittent blad, kan det oppstå tilbakeslag (kickback) som kan gi alvorlige personskader.

OBS: Aldri bruk gasolin, bensin, tynner alkohol eller lignende. Det kan føre til misfarging, deformering eller sprekkdannelse.

Justere skjærevinkelen

Denne saken er nøye justert og tilpasset ved fabrikken, men tøff bruk kan ha påvirket tilpasningen. Hvis saken din ikke er godt nok tilpasset, må du gjennomføre følgende:

Gjæringsvinkel

Senk hendelen helt, og lås den i senket stilling med anslagsstiften. Skyv sleden mot føringsflaten. Løsne håndtaket og skruene som sikrer pekeren og skråvinkelskalaen.

► **Fig.70:** 1. Skru på peker 2. Skrue på gjæringsvinkelskala 3. Gjæringskala

Sett dreiefoten i 0°-stilling ved hjelp av funksjonen for fast anslag. Bring siden på bladet i rett vinkel mot fronten på føringsflaten ved hjelp av en trekantlinjal eller et vinkeljern. Mens du holder den rette vinkelen, strammer du skruene på gjæringsvinkelskalaen. Deretter innretter du pekeren (både høyre og venstre) med 0°-stillingen i gjæringsvinkelskalaen, og deretter strammer du skruen på pekeren.

► **Fig.71:** 1. Trekantlinjal

Skjæringsvinkel

0° skjæringsvinkel

Skyv sleden mot føringsflaten, og lås glidebevegelsen med anslagsstiften. Senk hendelen helt, og lås den i senket stilling med anslagsstiften. Deretter løser du knotten. Drei justeringsbolten for 0° to eller tre omdreininger mot klokken for å vippe bladet mot høyre.

► **Fig.72:** 1. Justeringsbolt for 0° 2. Skru

Bring siden på bladet forsiktig i rett vinkel med oversiden av dreiefoten med en trekantlinjal, et vinkeljern e.l. ved å dreie justeringsbolten for 0° med klokken. Stram deretter knotten godt for å sikre 0°-vinkelen som du har stilt inn.

► **Fig.73:** 1. Trekantlinjal 2. Sagblad 3. Overflaten av dreiefoten

Kontroller igjen at siden på bladet er i rett vinkel med dreiefotens overflate. Løsne skruen på pekeren. Innrett pekeren med 0°-stilling i skråvinkelskalaen, og stram deretter skruen.

45° skjæringsvinkel

OBS: Før du justerer 45°-skråvinkelen, må du fullføre justeringen av 0°-skråvinkelen.

Løsne knotten, og vipp sleden helt til siden som du vil kontrollere. Kontroller om pekeren angir 45°-stillingen i skråvinkelskalaen.

► **Fig.74**

Hvis pekeren ikke angir 45°-stillingen, innretter du den med 45°-stilling ved å dreie justeringsbolten på motsatt side av skråvinkelskalaen.

► **Fig.75:** 1. Venstre justeringsbolt for 45° 2. Høyre justeringsbolt for 45°

Justere laserlinjeposisjonen

Kun for DLS111, DLS112

⚠ ADVARSEL: Batteriene må være satt i når laserlinjen justeres. Vær ekstra forsiktig for å unngå å slå på verktøyet mens du justerer. Hvis verktøyet utslittet slås på, kan det føre til alvorlig personskade.

⚠ FORSIKTIG: Aldri se direkte inn i laserstrålen. Øynene kan få alvorlige skader hvis de treffes direkte av laserstrålen.

OBS: Kontroller laserlinjeposisjonens nøyaktighet regelmessig.

OBS: Vær oppmerksom på slag mot verktøyet. Det kan føre til at laserlinjen blir skjev eller at laseren skades og får kortere levetid.

OBS: Hvis det oppdages feil på laserenheten, må verktøyet repareres av et autorisert Makita-verksted.

Laserlinjens bevegelsesområde avgjøres av avstandsjusteringskruene på begge sider. Utfør følgende prosedyrer for å endre laserlinjeposisjonen.

1. Ta ut batteriene.
2. Tegnet opp en skjærelinje på arbeidsstykket, og plasser det på dreiefoten. Ikke sikre arbeidsstykket med skrutikke eller lignende festeinnretning på dette tidspunktet.
3. Senk hendelen, og innrett skjærelinjen med sagbladet.
4. Sett hendelen tilbake i opprinnelig stilling, og sikre arbeidsstykket med den vertikale skrustrikken slik at arbeidsstykket ikke beveger seg fra stillingen som du har valgt.
5. Sett i batteriene, og slå på laserbryteren.
6. Løsne justeringsskruen. Hvis du vil bevege laserlinjen bort fra bladet, dreier du avstandsjusteringskruene mot klokken. Hvis du vil bevege laserlinjen nærmere bladet, dreier du avstandsjusteringskruen med klokken.

Justere laserlinjen på venstre side av bladet

► **Fig.76:** 1. Justeringsskrue
2. Avstandsjusteringskrue
3. Sekskantnøkkel 4. Laserlinje 5. Sagblad

Justere laserlinjen på høyre side av bladet

► **Fig.77:** 1. Justeringsskrue
2. Avstandsjusteringskrue
3. Sekskantnøkkel 4. Laserlinje 5. Sagblad

7. Skyv justeringsskruen til stillingen der laserlinjen kommer inn i skjærelinjen, og stram til.

MERK: Laserlinjens bevegelsesområde er fabrikkjustert på 1 mm (0,04") fra siden på bladet.

Rengjøre laserlinsen

Kun for DLS111, DLS112

Laserlyset blir vanskelig å se etter hvert som laserlysets linse blir tilsmusset. Rengjør laserlysets linse regelmessig.

► **Fig.78:** 1. Skru 2. Linse

Ta ut batteriene. Løsne skruen, og dra ut linsen. Rengjør linsen forsiktig med en fuktig, myk klut.

OBS: Ikke fjern skruen som holder linsen på plass. Hvis du ikke klarer å få ut linsen, løsner du skruen litt mer.

OBS: Ikke bruk løsemidler eller petroleumbaserte rengjøringsmidler på linsen.

Etter bruk

Etter bruk, må du tørke av fliser og støv som kleber til sagen med en klut eller lignende. Hold bladvernet rene i henhold til instruksjonene i avsnittet «Bladvernet». Smør glidedelene med maskinolje for å hindre at maskinen rustner.

For å opprettholde produktets SIKKERHET og PÅLITELIGHET, må reparasjoner, vedlikehold og justeringer utføres av autoriserte Makita servicesentre eller fabrikk-servicesentre, og det må alltid brukes reservedeler fra Makita.

VALGFRITT TILBEHØR

⚠ ADVARSEL: Det anbefales at du bruker dette Makita-tilbehøret sammen med Makita-verktøyet som er spesifisert i denne håndboken. Hvis du bruker andre typer tilleggsutstyr eller tilbehør, kan det oppstå alvorlige personskader.

⚠ ADVARSEL: Makita-tilleggsutstyret og -tilbehøret skal kun brukes til det formålet det er beregnet for. Hvis tilleggsutstyret eller tilbehøret brukes på en annen måte eller til andre formål enn det som er angitt, kan det oppstå alvorlige personskader.

Ta kontakt med ditt lokale Makita-servicesentre hvis du trenger mer informasjon om dette tilbehøret.

- Sagblad med stål- og karbidspisser
- Vertikal skrustikke
- Horizontal skrustikke
- Profillinstoppersett
- Støvpose
- Trekantlinjal
- Sekskantnøkkel
- Sekskantnøkkel (for laserjustering)
- Trådløs enhet (for DLS111)
- Makita originalbatteri og lader

MERK: Enkelte elementer i listen kan være inkludert som standardtilbehør i verktøypakken. Elementene kan variere fra land til land.

TEKNISET TIEDOT

| Malli: | DLS110 | DLS111 | DLS112 |
|------------------------------------|--|-------------------------|--------|
| Terän halkaisija | Eurooppalaisille maille | | |
| | 260 mm | | |
| Reiän halkaisija | Euroopan ulkopuolisille maille | | |
| | 255 mm - 260 mm | | |
| Sahanterän hampaan maksimipaksuus | Eurooppalaisille maille | | |
| | 30 mm | | |
| Suurin jiiriskulma | Euroopan ulkopuolisille maille | | |
| | 25,4 mm | | |
| Suurin viistekulma | 3,2 mm | | |
| Suurin viistekulma | Oikea 60°, Vasen 60° | | |
| Kuormittamaton kierrosnopeus (RPM) | Oikea 48°, Vasen 48° | | |
| Lasertyyppi | - | 4 400 min ⁻¹ | |
| Nimellisjännite | Punainen laser 650 nm, Maksimiteho < 1,6 mW (Laserluokka 2M) | | |
| Akkupaketti | DC 36 V | | |
| Laturi | BL1815N, BL1820, BL1820B, BL1830, BL1830B, BL1840, BL1840B, BL1850, BL1850B, BL1860B | | |
| Mitat (P x L x K) | DC18RC, DC18RD, DC18SD, DC18SE, DC18SF | | |
| Nettopaino | 805 mm x 644 mm x 660 mm | | |
| | 26,6 - 27,3 kg | | |

Sahauskapasiteetit (K x L)

| Jiirikulma | Viistekulma | | |
|----------------------|----------------------------------|----------------------------------|----------------------------------|
| | 45° (vasen) | 0° | 45° (oikea) |
| 0° | 42 mm x 310 mm 58 mm x 279 mm | 68 mm x 310 mm 91 mm x 279 mm | 29 mm x 310 mm 43 mm x 279 mm |
| 45° (oikea ja vasen) | 42 mm x 218 mm 58 mm x 197 mm | 68 mm x 218 mm 91 mm x 197 mm | 29 mm x 218 mm 43 mm x 197 mm |
| 60° (oikea ja vasen) | - | 68 mm x 155 mm 91 mm x 139 mm | - |

Sahauskapasiteetit erikoisleikkauksille

| Sahaustyyppi | Sahauskapasiteetti |
|--|--------------------|
| Reunalista 45° tyyppi (käytettäessä reunalistarajointina) | 168 mm |
| Jalkalista (käytettäessä vaakapuristinta) | 133 mm |

- Jatkuvasta tutkimus- ja kehitystyöstämme johtuen esitetyt tekniset tiedot saattavat muuttua ilman erillistä ilmoitusta.
- Tekniset tiedot ja akkupaketti voivat vaihdella maittain.
- Paino voi olla erilainen lisävarusteista sekä akusta johtuen. EPTA-menettelytavan 01/2014 mukaisesti, taulukossa on kuvattu kevyin ja painavin laiteyhdistelmä.

Symbolit

Laitteessa on käytetty seuraavia symboleja. Opettele niiden merkitys ennen käyttöä.



Lue käyttöohje.



Pida sahan pää sahausken jälkeen alhaalla, kunnes saha on kokonaan pysähtynyt. Näin vältät lentävien roskien aiheuttaman loukkaantumisen.



Kun suoritetaan liukuleikkaus, vedä ensin kuljetin täysin ulos ja paina kahva alas, työnnä sitten kuljetinta sahausvasteen suuntaan.



Älä laita käsiä tai sormia terän lähelle.



Älä koskaan katso lasersäteeseen. Suora ja välitön lasersäde voi vahingoittaa silmiäsi.



Koskee vain EU-maita
Älä hävitä sähkötarvikkeita tavallisen kotitalousjätteen mukana! Vanhoja sähkö- ja elektroniikkalaitteita koskevan EU-direktiivin ja sen maakohtaisten sovelusten mukaisesti käytetyt sähkötarvikkeet on toimitettava ongelmajätteen keräyspisteeseen ja ohjattava ympäristöystävälliseen kierrätykseen.

Käyttötarkoitus

Laitte on tarkoitettu puun tarkkaan suoraan katkaisuun ja jiirisahaukseen. Sillä voidaan sahata myös alumiinia sopivaa sahanterää käyttämällä.

Melutaso

Tyypillinen A-painotettu melutaso määräytyy standardin EN62841 mukaan:

Malli DLS110

Äänenpainetaso (L_{pA}): 92 dB (A)
Äänen voiman taso (L_{WA}): 102 dB (A)
Virhemarginaali (K): 3 dB (A)

Malli DLS111

Äänenpainetaso (L_{pA}): 92 dB (A)
Äänen voiman taso (L_{WA}): 102 dB (A)
Virhemarginaali (K): 3 dB (A)

Malli DLS112

Äänenpainetaso (L_{pA}): 92 dB (A)
Äänen voiman taso (L_{WA}): 102 dB (A)
Virhemarginaali (K): 3 dB (A)

VAROITUS: Käytä kuulosuojaimia.

Tärinä

Kokonaistärinä (kolmen akselin vektorien summa) määräytyy standardin EN62841 mukaan:

Malli DLS110

Tärinäpäästö (a_h): 2,5 m/s² tai alaisempi
Virhemarginaali (K): 1,5 m/s²

Malli DLS111

Tärinäpäästö (a_h): 2,5 m/s² tai alaisempi
Virhemarginaali (K): 1,5 m/s²

Malli DLS112

Tärinäpäästö (a_h): 2,5 m/s² tai alaisempi
Virhemarginaali (K): 1,5 m/s²

HUOMAA: Ilmoitettu tärinäpäästöarvo on mitattu standarditestausten mukaisesti, ja sen avulla voidaan vertailla työkaluja keskenään.

HUOMAA: Ilmoitettua tärinäpäästöarvoa voidaan käyttää myös altistumisen alustavaan arviointiin.

VAROITUS: Työkalun käytön aikana mitattu todellinen tärinäpäästöarvo voi poiketa ilmoitetusta tärinäpäästöarvosta työkalun käyttötavan mukaan.

VAROITUS: Selvitä käyttäjän suojaamiseksi tarvittavat varoitukset todellisissa käyttöolosuhteissa tapahtuvan arvioidun altistumisen mukaisesti (ottaen huomioon käyttöjako kokonaisuudessaan, myös jaksot, joiden aikana työkalu on sammutettuna tai käy tyhjäkäynnillä).

EY-vaatimustenmukaisuusvakuutus

Koskee vain Euroopan maita

EY-vaatimustenmukaisuusvakuutus on liitetty tähän käyttöoppaaseen.

TURVAVAROITUKSET

Sähkötyökalujen käyttöä koskevat yleiset varoitukset

VAROITUS: Tutustu kaikkiin tämän sähkötyökalun mukana toimitettuihin varoituksiin, ohjeisiin, kuvina ja teknisiin tietoihin. Seuraavassa lueteltujen ohjeiden noudattamatta jättäminen saattaa johtaa sähköiskuun, tulipaloon tai vakavaan vammautumiseen.

Säilytä varoitukset ja ohjeet tulevaa käyttöä varten.

Varoituksissa käytettävällä termillä "sähkötyökalu" tarkoitetaan joko verkkovirtaa käyttävää (johdollaista) työkalua tai akkukäyttöistä (johdotonta) työkalua.

Jiirisahoja koskevat turvallisuusohjeet

- Jiirisahat ovat tarkoitettu puun ja puutuotteiden sahaukseen. Niitä ei voi käyttää katkaisuhiomalaikkojen kanssa rautamateriaalien sahaukseen, kuten varret, tangot, karat jne.** Hiomapöly aiheuttaa liikkuvien osien, kuten alasuojuksen jumittumisen. Katkaisusta muodostuvat kipinät polttavat alasuojuksen, itse sahanterän hampaan sekä muita muoviosia.
- Kiinnitä työkalupale paikalleen puristimia käyttämällä aina, kun se on mahdollista. Jos työkalupaletta tuetaan käsin, pidä kätesi aina vähintään 100 mm etäisyydellä sahanterän sivuilta. Älä käytä tätä laitetta liian pienien kappaleiden sahaukseen, joita ei voi kiinnittää luotettavasti paikalleen tai pitää käsin kiinni.** Jos kätesi on liian lähellä sahanterää, teräkoskuksesta aiheutuva tapaturmariski kasvaa.
- Työkalupaleen täytyy olla paikallaan ja kiinnitettyinä, tai pidettynä kiinni sekä ohjauksiskoa ja pöytästä vasten. Älä syötä työkalupaletta terälle tai suorita sahausta "vapaalla kädellä" missään tilanteessa.** Lukitsemattomat tai liikkuvat työkalupaleet voivat sinkoutua käyttäjää kohti suurella nopeudella aiheuttaen henkilövahinkoja.
- Paina sahaa koko työkalupaleen läpi. Älä vedä sahaa koko työkalupaleen läpi. Suorita sahaus nostamalla sahapää ylös ja vetämällä sitä työkalupaleen yli ilman sahaamista, käynnistämällä moottori, painamalla sahapää alas ja painamalla sahaa koko työkalupaleen läpi.** Sahaus vetoliikkeen aikana aiheuttaa sahanterän kiipeämisen työkalupaleen päälle ja paikkaamaan teräkokoonpanon voimakkaasti käyttäjää päin.

5. **Älä aseta käsiäsi sahausviivalle, sahanterän etu- tai takapuolelle.** Työkappaleen tukeminen "poikittaisella kädellä" ts. työkappaleen pitäminen oikealta puolelta vasemmalta kädellä tai päinvastoin on erittäin vaarallista.
 - **Kuva1**
 6. **Älä kurkota suojan taakse kummallakaan kädellä 100 mm lähempänä terää, puukappaleiden poistamiseksi tai mistään muusta syystä terän pyöriessä.** Pyörivän terän läheisyys suhteessa käsiisi ei ehkä ole selvä ja tämä voi johtaa vakavaan henkilövahinkoon.
 7. **Tarkasta työkappale ennen sahaamisen aloittamista. Jos työkappale on taipunut tai kiertynyt, kiinnitä se taipuneen osan ulkopuoli suojaa vasten. Varmista aina, että työkappaleen, ohjauskiskon ja pöydän välillä ei ole rakoa sahausviivalla.** Taipuneet tai kiertyneet työkappaleet voivat liikkua ja aiheuttaa pyörivän sahanterän juuttumisen sahauskeskustaan. Työkappaleessa ei saa olla nauloja tai muita vieraita esineitä.
 8. **Älä käytä sahaa, ennen kuin pöydällä ei ole työkaluja, puunkappaleita jne., itse työkappaleen lisäksi.** Pyörivään terään koskettavat pienet roskat tai irtonaiset puunkappaleet tai muut esineet voivat sinkoutua ulos suurella nopeudella.
 9. **Sahaa ainoastaan yksi työkappale kerrallaan.** Pinottua työkappaleita ei voida kiinnittää kunnolla ja ne voivat juuttua terään tai liikkua sahauskeskustaan.
 10. **Varmista ennen jiirisahan käyttöä, että se on asennettu tai sijoitettu tasaisen ja tukevan pinnan päälle.** Tasainen ja tukeva pinta alentaa jiirisahan epätasapainoa.
 11. **Suunnittele työsi. Joka kerta kun vaihdat viiste- tai jiiirikulmaa varmista, että säädettävä ohjauskisko on asetettu oikein tukemaan työkappaletta eikä häiritse terää tai suojajärjestelmää.** Ilman, että kone on "PÄÄLLÄ" ja sen pöydällä ei ole työkappaletta, suorita sahauskoe varmistaaksesi, että ohjauskisko ei häiritse sahausta tai sitä ei sahata.
 12. **Asenna tarvittavat tuet, kuten pöydän jatkeet, sahapukki jne., pöydän pintaa pidemmille tai leveämmille työkappaleille.** Jiirisahan pöytää pidemmät tai leveämmät työkappaleet voivat kaataa, jos niitä ei ole tuettu kunnolla. Jos katkaistu osa tai työkappale putoaa, voi se nostaa alasuojan ylös tai sinkoutua pyörivän terän voimasta.
 13. **Älä käytä toista henkilöä pöydän jatkeen sijaan tai lisätukena.** Epävakaava työkappaleen tuki voi johtaa terän jumiumutukseen tai työkappaleen liikkumiseen sahauskeskustaan ja vetää sinut tai avustajan terää kohti.
 14. **Irti sahattu osa ei saa juuttua tai painua pyörivää sahanterään vasten.** Jos puristuksissa, esim. pituusrajoittimien käytön aikana, sahattu osa voi kiilautua terää vasten ja sinkoutua ulos voimalla.
 15. **Käytä aina pyöreiden esineiden, kuten tankojen tai putkien kiinnittäjä tai kannatinta.** Tangoilla on taipumus rullata sahauskeskustaan, jolloin terä "puree" kiinni ja vetää työkappaleen ja kätesi terää kohti.
 16. **Anna terän saavuttaa maksiminopeus ennen koskettamista työkappaleeseen.** Tämä alentaa työkappaleen sinkoutumisen vaaraa.
 17. **Jos työkappale tai terä takertuu tai jumiuuu, sammuta jiiirisaha.** Odota, että kaikki liikkuvat osat ovat pysähtyneet, irrota virtapistoike virtalähteestä ja/tai irrota akku. Tämän jälkeen vapauta jumiuutunut materiaali. Sahaamisen jatkaminen kiinnitakertuneella ja jumiuutuneella työkappaleella voi aiheuttaa jiirisahan hallinnan menettämisen tai vaurioitumisen.
 18. **Kun sahaus on valmis, vapauta kytkin, pidä sahapäätä alhaalla ja odota, kunnes terä on pysähtynyt ennen katkaistun kappaleen poistamista.** Käsiön kurrottaminen pyörivän terän lähelle on vaarallista.
 19. **Pidä kahvasta tiukasti kiinni epätäydellisen sahauskeskustan yhteydessä tai kun kytkin vapautetaan ennen kuin sahapää on täysin alhaalla.** Sahan jarrutustoiminto voi aiheuttaa sahapään vetämisen äkillisesti alaspäin ja johtaa tapaturmaan.
 20. **Käytä vain sahanteriä, joiden halkaisija on sama kuin työkaluun merkitty tai ohjekirjassa mainittu.** Vääränkokoisien terän käyttäminen voi vaikuttaa terän suojuksen tai itse terän toimivuuteen ja aiheuttaa vakavia vammoja.
 21. **Käytä vain sahanteriä, joiden merkitty nopeus on vähintään yhtä suuri tai i suurempi kuin työkaluun merkitty nopeus.**
 22. **Älä sahaa muuta kuin puuta, alumiinia tai vastaavia materiaaleja.**
 23. **(Ainoastaan Euroopan valtiot) Käytä aina sahanteriä, jotka noudattavat standardin EN847-1 vaatimuksia.**
- Lisäohjeet**
1. **Käytä riippulukkoja työpaikan lapsiturvallisuuden varmistamiseksi.**
 2. **Älä seiso laitteen päällä.** Mikäli kone kallistuu tai liikkuuteraan kosketaan vahingossa voi seurauksena olla vakavia henkilövahinkoja.
 3. **Älä jätä käynnissä olevaa laitetta ilman valvontaa.** Katkaise aina virta. Älä jätä laitetta ilman valvontaa ennen kuin terä on täysin pysähtynyt.
 4. **Älä käytä sahaa ilman suojuksia.** Varmista terän suojuksen sulkeutuminen ennen jokaista käyttökertaa. Älä käytä sahaa, jos terän suojuksia ei liiku vapaasti ja sulkeudu välittömästi. Älä koskaan kiristä tai sido terän suojusta asentoon Auki.
 5. **Pidä kädet poissa sahanterän liikeradalta.** Vältä koskettamista rullavaa terää. Se voi aiheuttaa vakavan onnettomuuden.
 6. **Tapaturmariskin pienentämiseksi, siirrä alusta täysin taka-asentoonsa aina jokaisen sahaus-toiminnon jälkeen.**
 7. **Kiinnitä kaikki liikkuvat osat aina ennen laitteen kuljetusta.**
 8. **Lukitustappi, joka lukitsee leikkausterän, esim. tarkoitettu vain kantamiseen ja säilytykseen eikä sitä ole tarkoitettu leikkauskäyttöön.**
 9. **Tarkista, ettei terissä ole halkeamia tai muita vikoja, ennen kuin aloitat työskentelyä.** Vaihda haljennut tai vahingoittunut terä välittömästi. Terään kovettunut pihka hidastaa sahaamista ja lisää takapotkun vaaraa. Pidä terä puhtaana irrottamalla se sahasta ja puhdistamalla pihkanpoistoaineella, kuumalla vedellä tai petroliilla. Älä käytä bensiiniä terän puhdistamiseen.

- Liukusahauksen yhteydessä voi tapahtua TAKAPOTKU. TAKAPOTKUJA voi esiintyä, jos terä takertuu työkappaleeseen sahausken aikana ja sahanterä sinkoutuu nopeasti käyttäjää kohti. Seurauksena voi aiheutua laitehallinnan menetyks ja vakava henkilövahinko. Jos terä alkaa takertumaan sahausken aikana, keskeytä sahaus ja vapauta kytkin välittömästi.
- Käytä ainoastaan tälle laitteelle tarkoitettuja laippoja.
- Ole varovainen, ettei vahingoita karaa, laippoja (erityisesti asennuspintaa) tai pulttia. Näiden osien vaurioituminen voi aiheuttaa terän rikkoutumisen.
- Varmista, että kääntöalusta on kiinnitetty kunnonlla, ettei se liiku käytön aikana. Käytä alustan reikiä sahan kiinnittämiseksi kestäväään työpöytään tai työpenkkiin. ÄLÄ koskaan käytä laitetta jos käyttäjän asento on hankala.
- Varmista, että akselilukko on avattu, ennen kun virta kytketään päälle.
- Varmista, ettei terä kosketa kääntöalustaa alimmassa kohdassa.
- Ota koneesta luja ote. Huomioi, että saha liikkuu hieman ylös- tai alaspäin käynnistettäessä ja pysäytettäessä sitä.
- Varmista, että terä ei kosketa työkappaletta, ennen kuin painat kytkintä.
- Anna koneen käydä jonkin aikaa, ennen kuin alat työstää työkappaletta. Varmista, ettei työkappale tärise tai heilu, mikä voi johtua huonosta asennuksesta tai huonosti tasapainotetusta terästä.
- Lopeta käyttö heti, jos havaitset mitään epänormaalia.
- Älä yritä lukita liipaisinta asentoon ”PÄÄLLÄ”.
- Käytä vain tässä ohjeessa suositeltuja lisävarusteita. Sopimattomien lisävarusteiden, esimerkiksi hiomalaikkojen käyttö voi aiheuttaa tapaturman.
- Jotkin materiaalit sisältävät kemikaaleja, jotka voivat olla myrkyllisiä. Vältä pölyn sisäänhengittämistä ja ihokosketusta. Noudata materiaalin toimittajan turvaohjeita.

Laseria koskevat lisäturvaohjeet

- LASERSÄTEILY, ÄLÄ TUJOTA SÄTEESEEN TAI KATSO SUORAAN OPTISILLA LAITTEILLA, 2M-LUOKAN LASERTUOTE.**

SÄILYTÄ NÄMÄ OHJEET.

VAROITUS: ÄLÄ anna työkalun helppokäyttöisyyden (toistuvan käytön aikaansaama) johtaa sinua väärään turvallisuuden tunteeseen niin, että laiminlyöt työkalun turvaohjeiden noudattamisen. VÄÄRINKÄYTTÖ tai tässä käyttöohjeessa ilmoitettujen turvämääräysten laiminlyönti voi aiheuttaa vakavia henkilövahinkoja.

Akkupakettia koskevia tärkeitä turvaohjeita

- Ennen akun käyttöönottoa tutustu kaikkiin laturissa (1), akussa (2) ja akkukäyttöisessä tuotteessa (3) oleviin varoitusteksteihin.
- Älä pura akkua.
- Jos akun toiminta-aika lyhenee merkittävästi, lopeta akun käyttö. Seurauksena voi olla ylikuumentuminen, palovammoja tai jopa räjähdys.
- Jos akkunestettä pääsee silmiin, huuhtele puhtaalla vedellä ja hakeudu välittömästi lääkärin hoitoon. Akkuneste voi aiheuttaa näön menetyksen.
- Älä oikosulje akkua.
 - Älä koske akun napoihin millään sähköä johtavalla materiaalilla.
 - Vältä akun oikosulkemista äläkä säilytä akkua yhdessä muiden metalliesineiden, kuten naulojen, kolikoiden ja niin edelleen kanssa.
 - Älä aseta akkua alttiiksi vedelle tai sateelle.
 Oikosulku voi aiheuttaa virtapiikin, ylikuumentumista, palovammoja tai laitteen rikkoutumisen.
- Älä säilytä työkalua ja akkua paikassa, jossa lämpötila voi nousta 50 °C:een tai sitäkin korkeammaksi.
- Älä hävitä akkua polttamalla, vaikka se olisi pahoin vaurioitunut tai täysin loppuun kulunut. Avotuli voi aiheuttaa akun räjähtämisen.
- Varo kolhimasta tai pudottamasta akkua.
- Älä käytä viallista akkua.
- Sisältyviä litium-ioni-akkuja koskevat vaarallisten aineiden lainsäädännön vaatimukset. Esimerkiksi kolmansien osapuolten huolintaliikkeiden tulee kaupallisissa kuljetuksissa noudattaa pakkaamista ja merkintöjä koskevia erityisvaatimuksia. Lähetettävän tuotteen valmistelu edellyttää vaarallisten aineiden asiantuntijan neuvontaa. Huomioi myös mahdollisesti yksityiskohtaisemmat kansalliset määräykset. Akun avoimet liittimet tulee suojata teipillä tai suojuksella ja pakkaaminen tulee tehdä niin, ettei akku voi liikkua pakkauksessa.
- Hävitä akku paikallisten määräysten mukaisesti.
- Käytä akkuja vain Makitan ilmoittamien tuotteiden kanssa. Akkujen asentaminen yhteensopimattomiin tuotteisiin voi aiheuttaa tulipalon, liiallisen ylikuumentumisen, räjähdysken tai akkunestevuotoja.

SÄILYTÄ NÄMÄ OHJEET.

HUOMIO: Käytä vain alkuperäisiä Makita-akkuja. Muiden kuin aitojen Makita-akkujen, tai mahdollisesti muutettujen akkujen käyttö voi johtaa akun murtumiseen ja aiheuttaa tulipaloja, henkilö- ja omaisuusvahinkoja. Se mitätöi myös Makita-työkalun ja -laturin Makita-takuun.

Vihjeitä akun käyttöiän pidentämiseksi

1. Lataa akku ennen kuin se purkautuu täysin. Lopeta aina työkalun käyttö ja lataa akku, jos huomaat työkalun tehon vähenevän.
2. Älä koskaan lataa uudestaan täysin ladattua akkua. Yliilataaminen lyhentää akun käyttöikää.
3. Lataa akku huoneen lämpötilassa välillä 10 °C - 40 °C. Anna kuumen akun jäähtyä ennen lataamista.
4. Lataa akkupaketti, jos et käytä sitä pitkään aikaan (yli kuusi kuukautta).

Langatonta yksikköä koskevat tärkeät turvallisuusohjeet

1. Älä pura tai peukaloi langatonta yksikköä.
2. Pidä langaton yksikkö lasten ulottumattomissa. Jos tuote niellään vahingossa, ota välittömästi yhteys lääkäriin.
3. Käytä langatonta yksikköä vain Makitan työkalujen kanssa.
4. Älä altista langatonta yksikköä sateelle tai kosteisiin olosuhteisiin.
5. Älä käytä langatonta yksikköä paikassa, jossa lämpötila voi nousta yli 50 °C.
6. Älä käytä langatonta yksikköä paikassa, jonka läheisyydessä on lääketieteellisiä instrumentteja, kuten sydämentahdistajia jne.
7. Älä käytä langatonta yksikköä paikassa, jonka läheisyydessä on automatisoituja laitteita. Toiminnallisena automatisoidut laitteet voivat aiheuttaa käyttöhäiriöitä tai virheitä.
8. Langaton yksikkö voi muodostaa käyttäjälle vaarattomia sähkömagneettikenttiä (EMF).
9. Langaton yksikkö on tarkkuuslaite. Varo kolhimasta tai pudottamasta langatonta yksikköä.
10. Vältä koskettelemasta langattoman yksikön liitintä paljain käsin tai metallisilla materiaaleilla.
11. Irrota akku aina laitteesta langattoman yksikön asentamisen aikana.
12. Avattaessa uran kantta, vältä paikkoja missä pöly ja vesi voivat päästä uraan. Pidä aina uran aukko puhtaana.

13. Aseta langaton yksikkö aina oikeassa suunnassa.
14. Älä paina langattoman yksikön langatonta aktivointipainiketta liian kovaa ja/tai paina painiketta teräväreunaisilla kohteilla.
15. Sulje aina uran kansi käytön aikana.
16. Älä irrota langatonta yksikköä urasta laitteen virransyötön aikana. Muussa tapauksessa voi seurauksena olla langattoman yksikön käyttöhäiriöitä.
17. Älä irrota langattoman yksikön tarraa.
18. Älä kiinnitä mitään tarroja langattomaan yksikköön.
19. Älä jätä langatonta yksikköä paikkaan, missä on staattista sähköä tai sähkökohinahäiriöitä voi muodostua.
20. Älä jätä langatonta yksikköä äärimmäisiin lämpötiloihin, kuten auton istuimelle auringonpaisteeseen.
21. Älä jätä langatonta yksikköä paikkaan, missä on pölyä tai jauheita tai syövyttäviä kaasuja voi muodostua.
22. Äkillinen lämpötilan vaihtelu voi kostuttaa langattoman yksikön. Älä käytä langatonta yksikköä ennenkuin kaste on täysin kuivunut.
23. Puhdista langaton yksikkö pyyhkimällä se kevyesti kuivalla liinalla. Älä käytä puhdistamiseen bensiiniä, tinneriä, johtavaa rasvaa tai vastaavaa.
24. Säilytä langatonta yksikköä mukana toimituksessa kotelossa tai ei staattisessa säiliössä.
25. Älä liitä muita, kuin Makitan langattomia yksiköitä laitteen uraan.
26. Älä käytä laitetta uran kannen ollessa vaurioitunut. Uraan pääsevä vesi, pöly ja lika voivat aiheuttaa käyttöhäiriöitä.
27. Älä vedä ja/tai väännä uran kantta enempää kuin on tarpeen. Aseta kansi takaisin jos se irtoaa laitteesta.
28. Vaihda uran kansi sen ollessa kadonnut tai vaurioitunut.

SÄILYTÄ NÄMÄ OHJEET.

OSIEN KUVAUS

► Kuva2

| | | | | | | | |
|----|---|----|------------------------------------|----|-------------------------|----|---|
| 1 | Liukutanko | 2 | Rajoiintappi (alustan liukumiseen) | 3 | Pystypuristin | 4 | Vapautuspainike (oikean puolen viistekulma) |
| 5 | Pidike | 6 | Kääntöalusta | 7 | Osoitin (jiirikulma) | 8 | Jiirikulma-asteikko |
| 9 | Kitapala | 10 | Teräkotelo | 11 | Säätöruuvi (laserviiva) | 12 | Alueen säätöruuvi (laserviiva) |
| 13 | Teräsuojus | 14 | Nuppi (viistekulma) | 15 | Kuusioavain | 16 | Säätöruuvi (alempi raja-asento) |
| 17 | Säätöpultti (suurin sahauskapasiteetti) | 18 | Lukitusvarsi | 19 | Akkupaketti | 20 | Lukitusvipu (kääntöalusta) |
| 21 | Vapautusvipu (kääntöalusta) | 22 | Kahva (kääntöalusta) | - | - | - | - |

► Kuva3

| | | | | | | | |
|----|--|----|------------------------------------|----|---------------------------|----|--|
| 1 | Liipaisinkytkin | 2 | Lukituspainike | 3 | Reikä riippulukkoa varten | 4 | Kansi (langattomalle yksikölle) (vain mallille DLS111) |
| 5 | Kytkin (laserviivalle) (Vain malli DLS111, DLS112) | 6 | Akun merkivalo | 7 | Tilan merkivalo | 8 | Tarkistuspainike |
| 9 | Langaton aktiivointipainike | 10 | Langattoman aktiivoinnin merkivalo | 11 | Letku (pölynpoisto) | 12 | Rajoitintappi (alustan liukumiseen) |
| 13 | Ohjaukisko (alaohjaukisko) | 14 | Ohjaukisko (yläohjaukisko) | 15 | Pölypussi | 16 | 0° säätöpultti (viistekulma) |
| 17 | Viistekulma-asteikko | 18 | Vapautusvipu (48° viistekulma) | 19 | Lukitusvipu (viistekulma) | 20 | Osoitin (viistekulma) |
| 21 | 45° säätöpultti (viistekulma) | - | - | - | - | - | - |

ASENNUS

Kahvan asentaminen

Kierrä kahvan kierrekseli kääntöalustaan.

► **Kuva4:** 1. Kahva 2. Kääntöalusta

Pölynpoistoletkun asentaminen

Liitä pölynpoistoletku laitteeseen kuvan mukaisella tavalla.

Varmista, että kulma ja holkki asettuvat oikein laitteen liitäntään.

► **Kuva5:** 1. Pölynpoistoletku 2. Kulma 3. Holkki
4. Liitäntä

Penkin kiinnittäminen

Laitteen kahva on lukittu kuljetuksen ajaksi ala-asentoon rajoitintapin avulla. Kun kahvaa lasketaan hieman, vedä rajoitintappia ja kierrä sitä 90°.

► **Kuva6:** 1. Lukittu asento 2. Avattu asento
3. Rajoitintappi

Työkalu tulee ruuvata neljällä ruuvilla tasaiselle pinnalle laitteen pohjassa olevia ruuvireikiä käyttäen. Tämä estää kaatumisen ja mahdollisen vammautumisen.

► **Kuva7:** 1. Pultti

VAROITUS: Varmista, että laite ei pääse liikkumaan tukipinnalla. Jos jirisaaha pääsee liikkumaan tukipinnalla sahaamisen aikana, seurauksena voi olla työkalun hallinnan menettäminen ja vakava henkilövahinko.

TOIMINTOJEN KUVAUS

VAROITUS: Varmista aina ennen säätöjä tai tarkastuksia, että laite on sammutettu ja akku on irrotettu. Jos virtaa ei katkaista eikä akkua irroteta, työkalu voi käynnistyä vahingossa ja aiheuttaa vakavan tapaturman.

Akun asentaminen tai irrottaminen

HUOMIO: Sammuta työkalu aina ennen akun kiinnittämistä tai irrottamista.

HUOMIO: Pidä työkalusta ja akusta tiukasti kiinni, kun irrotat tai kiinnität akkua. Jos akkupaketti tai työkalu putoaa, ne voivat vaurioitua tai aiheuttaa tapaturman.

► **Kuva8:** 1. Punainen merkivalo 2. Painike
3. Akkupaketti

Irrota akku painamalla akku etupuolella olevaa painiketta ja vetämällä akku ulos työkalusta.

Akku liitetään sovittamalla akun kieleke rungon uraan ja työntämällä se sitten paikoilleen. Työnnä akku pohjaan asti niin, että kuulet sen napsahdavan paikoilleen. Jos painikkeen yläpuolella näkyy punainen ilmaisin, akku ei ole lukkiutunut täysin paikoilleen.

HUOMIO: Työnnä akku aina pohjaan asti, niin että punainen ilmaisin ei enää näy. Jos akku ei ole kunnolla paikallaan, se voi pudota työkalusta ja aiheuttaa vammoja joko sinulle tai sivullisille.

HUOMIO: Älä käytä voimaa akun asennuksessa. Jos akku ei liu'u paikalleen helposti, se on väärässä asennossa.

HUOMAA: Työkalu ei toimi yhdellä akulla.

Työkalun/akun suojausjärjestelmä

Työkalu on varustettu työkalu/akun suojausjärjestelmällä. Tämä järjestelmä pidentää työkalun ja akun käyttöikää katkaisemalla automaattisesti moottorin virran. Työkalu pysähtyy automaattisesti kesken käytön, jos työkalussa tai akussa ilmenee jokin seuraavista tilanteista:

Ylikuormitusuoja

Kun työkalua käytetään tavalla, joka saa sen kuluttamaan epätavallisen suuren määrän virtaa, työkalu pysähtyy automaattisesti ilman mitään merkkivaloa tai ilmaisinta. Katkaise tässä tilanteessa työkalusta virta ja lopeta ylikuormitustilan aiheuttanut käyttö. Käynnistä sitten työkalu uudelleen kytkemällä siihen virta.

Ylikuumenemissuoja

| | |
|---------------------------------|---|
| <input type="checkbox"/> päällä | <input checked="" type="checkbox"/> Viilkuu |
| | |

Kun työkalu ylikuumenee, työkalu pysähtyy automaattisesti ja akun merkkivalo vilkkuu noin 60 sekunnin ajan. Anna silloin työkalun jäähtyä, ennen kuin kytket työkalun uudelleen päälle.

Ylipurkautumissuoja

Jos akun varaus käy vähiin, työkalu pysähtyy automaattisesti. Jos työkalu ei toimi, vaikka kytkimiä käytetään, irrota akut työkalusta ja lataa ne.

Akun jäljellä olevan varaustason ilmaisin

► **Kuva9:** 1. Akun merkkivalo 2. Tarkistuspainike

Painamalla tarkistuspainiketta saat näkyviin akun varaustason. Kumpikin akun ilmaisin vastaa yhtä akkua.

| Akun merkkivalon tila | | | Akussa jäljellä oleva varaus |
|-----------------------|-------------|---------|------------------------------|
| Päällä | Pois päältä | Viilkuu | |
| | | | 50 % - 100 % |
| | | | 20 % - 50 % |
| | | | 0 % - 20 % |
| | | | Lataa akku |

Akun jäljellä olevan varaustason ilmaisin

Vain akkupaketeille ilmaisimella

► **Kuva10:** 1. Merkkivalo 2. Tarkistuspainike

Painamalla tarkistuspainiketta saat näkyviin akun jäljellä olevan varauksen. Merkkivalot palavat muutaman sekunnin ajan.

| Merkkivalot | | | Akussa jäljellä olevan varaus |
|-------------|-------------|---------|--|
| Palaa | Pois päältä | Viilkuu | |
| | | | 75 % - 100 % |
| | | | 50 % - 75 % |
| | | | 25 % - 50 % |
| | | | 0 % - 25 % |
| | | | Lataa akku. |
| | | | Akussa on saattanut olla toimintahäiriö. |

HUOMAA: Ilmoitettu varaustaso voi erota hieman todellisesta varaustasosta sen mukaan, millaisissa oloissa ja missä lämpötilassa laitetta käytetään.

Automaattinen nopeudenvaihtotoiminto

► **Kuva11:** 1. Tilan merkkivalo

| Tilan merkkivalon tila | Toimintatila |
|---|----------------------------|
| <input checked="" type="radio"/> Päällä | |
| <input type="radio"/> Pois päältä | |
| | Suuren nopeuden tila |
| | Suuren vääntömomentin tila |

Tässä työkalussa on "suuren nopeuden tila" ja "suuren vääntömomentin tila". Se muuttaa toimintatilaa automaattisesti kuormituksen mukaan. Kun toimintatilan merkkivalo syttyy käytön aikana, työkalu on suuren vääntömomentin tilassa.

Teräsuojus

► **Kuva12:** 1. Teräsuojus

Kun alennat kahvaa, teräsuojus nousee automaattisesti. Teräsuojus on jousitettu, joten ne palautuvat alkuperäiseen asentoonsa, kun sahaus on valmis ja kahva nostettu.

VAROITUS: Älä koskaan ohita tai poista teräsuojusta tai siihen kiinnittyvää joustia. Jos laitetta käytetään terän ollessa ilman suojusta, seurauksena voi olla vakava henkilövahinko.

Henkilökohtaisen turvallisuutesi vuoksi pidä teräsuojus aina hyvässä kunnossa. Suojusten poikkeava toiminta tulee korjata välittömästi. Tarkista, että jousi palauttaa suojuksen paikalleen.

VAROITUS: Älä koskaan käytä laitetta, jos teräsuojus tai jousi on vahingoittunut, viallinen tai irronnut. Jos laitetta käytetään, vaikka suojus on vahingoittunut, viallinen tai irronnut, seurauksena voi olla vakava henkilövahinko.

Jos läpinäkyvä teräsuojus likaantuu, tai siihen liimautuu sahanpurua niin, ettei terä ja/tai työkappale ole enää hyvin näkyvissä, irrota akut ja puhdista suojus huolellisesti kostealla kankaalla. Älä käytä liuottimia äläkä öljypohjaisia puhdistusaineita, sillä ne voivat vahingoittaa muovista suojusta.

Jos teräsuojus on erityisen likainen ja sen läpinäkyvyys on heikentynyt, irrota akut ja löysää keskusrujuksen kuusioruuvi käyttämällä mukana toimitettua kuusioavainta. Löysää kuusioruuvia kiertämällä sitä vastapäivään ja nosta teräsuojus ja keskusrujuks ylös. Jos teräsuojus on näin sijoitettu, puhdistus voidaan suorittaa täydellisemmin ja tehokkaammin. Kun puhdistus on valmis, toimi päinvastoin edellä mainittuun toimenpiteeseen ja varmista ruuvi. Älä poista joustaa pitävää teräsuojusta. Jos suojus haalistuu iän myötä tai UV-valolle alttiina olon aikana, ota yhteys Makitan huoltokeskukseen uuden suojuksen tilaamiseksi. **ÄLÄ ESTÄ SUOJUKSEN KÄYTTÖÄ TAI POISTA SITÄ.**

► **Kuva13:** 1. Keskusrujuks 2. Kuusioavain
3. Teräsuojus

Kitapalat

Työkalu toimitetaan kääntöalustassa olevien kitapalojen kanssa minimoimaan leikkauksen poistumispuolen repimistä. Kitapalat ovat säädetty tehtaalla, jotta sahanterä ei koskettaisi kitapaloja. Säädä kitapalat ennen käyttöä seuraavasti:

► **Kuva14:** 1. Lovilauta
► **Kuva15:** 1. Vasen viistesaha 2. Suora sahaus
3. Vasen viistesaha 4. Sahanterä
5. Terän hampaat 6. Kitapala

Poista ensin akut. Löysää kaikkia kitapalojen ruuveja (2 vasemmalla ja oikealla puolella), kunnes kitapaloja voidaan vielä liikuttaa käsin. Laske kahva kokonaan alas ja lukitse se sitten ala-asentoon kiertämällä rajoitintappia. Vapauta rajoitintappi liukutangossa ja vedä alusta täysin itseäsi kohti. Säädä kitapalat niin, että ne juuri ja juuri koskettavat terän hampaiden syrjiä. Kiristä eturuuvit (älä kiristä liikaa). Työnnä alusta kokonaan ohjauksikon suuntaan ja säädä kitapalat siten, että kitapalat juuri ja juuri koskettavat terän hampaiden syrjiä. Kiristä takaruuvit (älä kiristä tiukasti).

Kitapalojen säädön jälkeen vapauta rajoitintappi ja nosta kahva ylös. Kiristä sitten kaikki ruuvit tiukasti.

HUOMAUTUS: Varmista viistekulman asettamisen jälkeen, että kitapalat on säädetty oikein. Kun kitapalat on säädetty oikein, työkappale pysyy tukevasti paikallaan eikä repeydy helposti.

Parhaan sahauskyvyn ylläpitäminen

Tämä laite on säädetty tehtaalla siten, että se tarjoaa suurimman mahdollisen sahauskyvyn 260 mm:n sahanterällä.

Kun asennat uuden terän, tarkista aina terän ala-asennon raja ja säädä tarvittaessa seuraavasti:

Poista ensin akut. Käännä rajoitinvipu lukitusasentoon.

► **Kuva16:** 1. Pysäytinvipu

Työnnä alustaa kokonaan ohjauksikkoa päin ja laske kahva täysin alas.

Säädä terän asentoa kiertämällä säätöpulttia kuusioavaimella. Terän ulkokehän tulee kulkea hieman kääntöpöydän pinnantason alle ja myös kohtaan, jossa ohjauksikon etupuoli kohtaa kääntöpöydän yläpinnan.

► **Kuva17:** 1. Säätöpultti

► **Kuva18:** 1. Kiertopohjan yläpinta 2. Terän kehä
3. Sahausvaste

Kun akut ovat irrotettu, pyöritä terää käsin pitäen samalla kahvaa alhaalla ja varmista, ettei terä kosketa mitään alapohjan osaa. Suorita hienosäätö tarvittaessa. Kun säätö on valmis, palauta pysäytinvipu aina alkuasentoonsa.

VAROITUS: Kun olet kiinnittänyt uuden terän akkujen ollessa irrotettuna, varmista aina, että terä ei kosketa mihinkään alapohjan kohtaan kahvan ollessa laskettuna kokonaan alas. Jos terä koskettaa alustaa, seurauksena voi olla takapotku ja vakava henkilövahinko.

Lukitusvarsi

Terän alemmaa raja-asentoa voi helposti säätää lukitusvarren avulla. Säädä lukitusvarsi siirtämällä sitä nuolen osoittamaan suuntaan kuvan mukaisella tavalla. Kierrä säätöruuvia niin, että terä pysähtyy haluttuun asentoon kahvan ollessa laskettuna täysin alas.

► **Kuva19:** 1. Lukitusvarsi 2. Säätöruuvi

Leikkaukorkeuden säätäminen

HUOMIO: Viistekulman vaihtamisen jälkeen varmista aina kääntöalusta kiristämällä kädensijaa tiukasti.

HUOMAUTUS: Kääntöalustaa käännettäessä varmista, että nostat kahvan täysin.

► **Kuva20:** 1. Lukitusvipu 2. Kahva 3. Vapautusvipu
4. Osoitin

Kierrä kahvaa vastapäivään kääntöalustan vapauttamiseksi. Siirrä kääntöalustaa kiertämällä kahvaa ja pitämällä samanaikaisesti lukitusvipua täysin alhaalla. Aseta kohdistin haluttuun kulmaan asteikolla ja kiristä kahva tämän jälkeen.

HUOMAA: Jos painat vapautusvipua, voit siirtää kääntöalustaa ilman lukitusvipua pitämistä alhaalla. Kiristä kahva haluamaasi asentoon.

Tässä jiirisahassa on tarkka pysäytystoiminto. Voit asettaa oikean/vasemman jiirikulman 0°, 15°, 22,5°, 31,6°, 45° ja 60° nopeasti. Tämän toiminnon käyttämiseksi, siirrä kääntöalusta haluamasi tarkan pysäytyskulman lähelle samalla pitämällä lukitusvipua alhaalla. Vapauta lukitusvipu tämän jälkeen ja siirrä kääntöalustaa eteenpäin niin paljon, kunnes se lukittuu paikalleen.

Kallistuskulman säätäminen

HUOMAUTUS: Irrota aina yläohjauskiskot ja pystypuristin ennen viistekulman säätöä.

HUOMAUTUS: Viistekulman muuttamiseksi, sijoita kitapalat asianmukaisesti paikalleen, luvun ”Kitapalojen sijoittaminen” ohjeiden mukaisesti.

HUOMAUTUS: Kun käännät sahanterää, muista nostaa kahva kokonaan ylös.

HUOMAUTUS: Älä kiristä nuppia liian paljon. Muussa tapauksessa viistekulman mekanismissa voi ilmetä käyttöhäiriöitä.

1. Käännä liukutangan nuppia vastapäivään.
► **Kuva21:** 1. Nuppi
2. Vedä ja kierrä lukitusvipua kuvan osoittamaan asentoon.
► **Kuva22:** 1. Lukitusvipu
3. Aseta kohdistin haluttuun kulmaan asteikolla siirtämällä alustaa ja kiristä nuppi tämän jälkeen.
► **Kuva23:** 1. Viistekulma-asteikko 2. Osoitin

Kallista alustaa oikealle, kallistamalla sitä hieman vasemmalle ja tämän jälkeen oikealle samalla painamalla vapautuspainiketta.

► **Kuva24:** 1. Vapautuspainike

Jos suoritat yli 45° viistesahauksen, siirrä alustaa liukuttamalla vapautusvipua laitteen etuosaa päin. Voit suorittaa enintään 48° viistesahauksen.

► **Kuva25:** 1. Vapautusvipu

Tässä jiirisahassa on tarkka pysäytystoiminto. Voit asettaa oikean ja vasemman kulman 22,5° ja 33,9° nopeasti. Aseta lukitusvipu kuvan osoittamaan asentoon ja kallista alustaa. Muuta kulmaa vetämällä lukitusvipua ja kallistamalla alustaa.

► **Kuva26:** 1. Lukitusvipu

▲HUOMIO: Viistekulman muuttamisen jälkeen lukitse aina nuppi.

Liukulukitus

Alustan liukuliikeyksen lukitsemiseksi, työnnä alustaa ohjauskiskoa päin, kunnes se pysähtyy. Vedä rajoitintappia ja kierrä sitä 90°.

► **Kuva27:** 1. Avattu asento 2. Lukittu asento 3. Rajoitintappi

Kytkimen käyttäminen

▲VAROITUS: Tarkista aina ennen akkujen asentamista laitteeseen, että liipaisinkytkin toimii oikein ja palautuu OFF-asentoon, kun se vapautetaan. Älä paina liipaisinkytkintä voimakkaasti, ellei samalla paina lukitusnappia. Tämä voi aiheuttaa kytkimen rikkoutumisen. Jos laitetta käytetään, vaikka kytkin ei toimi moitteettomasti, seurauksena voi olla vakava henkilövahinko.

▲VAROITUS: ÄLÄ koskaan käytä sahaa, jos liipaisinkytkin ei toimi moitteettomasti.

Epäkuntoisella kytkimellä varustettu kone on ERITTÄIN VAARALLINEN. Se tulee korjata välittömästi ennen käytön jatkamista vakavien henkilövahinkojen välttämiseksi.

▲VAROITUS: ÄLÄ KOSKAAN ohita lukituksen vapautuspainiketta teippaamalla sitä kiinni tai muulla tavoin. Jos kytkimen lukituksen vapautuspainike vapautetaan, laite saattaa käynnistyä vahingossa, mistä voi seurata vakava henkilövahinko.

▲VAROITUS: ÄLÄ KOSKAAN käytä sahaa, jos se käynnistyy pelkästään liipaisinkytkintä painamalla ilman, että painaisit lukituksen vapautuspainiketta. Jos kytkin on viallinen, laite saattaa käynnistyä vahingossa, mistä voi seurata vakava henkilövahinko. Toimita työkalu Makita-huoltoon korjattavaksi ENNEN kuin jatkat käyttöä.

► **Kuva28:** 1. Liipaisinkytkin 2. Lukituspainike 3. Reikä riippulukkoa varten

Käytä lukituksen vapautusnappia liipaisinkytkimen tahattoman vetämisen estämiseksi. Käynnistä laite painamalla lukituksen vapautuspainiketta ja painamalla liipaisinkytkimestä. Pysäytä vapauttamalla liipaisinkytkin. Liipaisinkytkimessä on reikä, johon voi kiinnittää riippulukon laitteen lukitsemista varten.

▲VAROITUS: Älä käytä lukkoa, jonka sangan tai vaijerin läpimitta on alle 6,35 mm (1/4"). Jos sanka tai vaijeri on tätä ohuempi, laite ei lukkiudu asianmukaisesti POIS PÄÄLTÄ-asentoon ja saattaa käynnistyä vahingossa, mistä voi seurata vakava henkilövahinko.

Sähköinen toiminta

Vakionopeuden säätö

Laite on varustettu sähköisellä vakionopeudensäädöllä, joka auttaa pitämään terän pyörimisnopeuden vakaana myös kuormitettuna. Kun terä pyörii vakionopeudella, sahausjälki on erittäin tasainen.

Pehmeä käynnistys

Tämä toiminto mahdollistaa laitteen pehmeän käynnistuksen rajoittamalla käynnistyskäynnin vääntömomenttia.

Lasersäde-toiminta

Vain malli DLS111, DLS112

▲HUOMIO: Älä koskaan katso lasersäteeseen. Suora ja välitön lasersäde voi vahingoittaa silmiäsi.

Kytke lasersäde päälle painamalla kytkin ylempään asentoon (I). Kytke lasersäde pois päältä painamalla kytkin alempaan asentoon (0)

► **Kuva29:** 1. Laserkytkin

Laserviivaa voidaan siirtää sahanterän joko vasemmalle tai oikealle puolelle säätämällä säätöruuveja seuraavalla tavalla.

► **Kuva30:** 1. Säätöruuvi

1. Löysää säätöruuvia kiertämällä sitä vastapäivään.
2. Kun säätöruuvi on löysätty, liu'uta säätöruuvia oikealle tai vasemmalle niin pitkälle kuin mahdollista.
3. Kiristä säätöruuvi hyvin siinä asennossaan, missä se ei enää liu'u.

HUOMAA: Laserviiva on säädetty tehtaalla, joten sen voi asentaa 1 mm rajoissa terän sivupinnasta (sahausasento).

HUOMAA: Jos lasersäde näkyy himmeänä eikä erotu kunnolla auringonvalon vuoksi, siirry työskentelemään paikkaan, johon aurinko ei pääse paistamaan suoraan.

Laserviivan kohdistus

Kohdista työkappaleesi sahauslinja laserviivan avulla.

► **Kuva31**

A) Kun haluat saada oikeankokoisen työkappaleen vasemmalla puolella, siirrä laserviivaa terän vasemmalle puolelle.

B) Kun haluat saada oikeankokoisen työkappaleen oikealla puolella, siirrä laserviivaa terän oikealle puolelle.

HUOMAA: Käytä puukappaletta ja aseta se ohjauskiskoa vasten kohdistaaessasi sahauslinjaa laserviivalla yhdistelmäsaahauksessa (viistekulma 45° ja jirrikulma oikea 45°).

KOKOONPANO

▲VAROITUS: Varmista aina ennen kaikkia kunnossapitotoimia, että laite on sammutettu ja akku on irrotettu. Jos laitetta ei sammuteta eikä akkupakettia irroteta, seurauksena voi olla vakava henkilövahinko.

Kuusioavaimen varastointi

Säilytä kuusioavainta kuvan osoittamassa paikassa sen katoamisen välttämiseksi.

► **Kuva32:** 1. Kuusioavain

Sahanterän irrotus ja kiinnitys

▲VAROITUS: Varmista aina ennen terän kiinnittämistä ja irrottamista, että laite on sammutettu ja akku irrotettu. Laitteen käynnistäminen vahingossa saattaa aiheuttaa vakavan henkilövahingon.

▲VAROITUS: Käytä terän irrottamiseen ja kiinnittämiseen vain mukana toimitettua Makitan kuusioavainta. Jos avainta ei käytetä, seurauksena voi olla vakava henkilövahinko terän liiallisen tai riittämättömän nostetyksen takia.

Lukitse alusta aina nostettuun asentoon terän irrotuksen ja kiinnittämisen aikana. Vedä rajoitintappia ja kierrä sitä 90° alustan ollessa nostettuna.

► **Kuva33:** 1. Avattu asento 2. Lukittu asento 3. Rajoitintappi

Terän irrotus

Löysää keskusjuoksen kuusioruuvi käyttämällä kuusioavainta. Nosta teräsuojus ja keskusjuokus.

► **Kuva34:** 1. Keskusjuokus 2. Kuusioavain 3. Teräsuojus

Lukitse kara painamalla akselilukkoa ja löysää kuusio-koloruuvia kuusioavaimella. Irrota sitten kuusio-koloruuvi, ulkolaippa ja terä.

► **Kuva35:** 1. Akselilukko 2. Kuusioavain 3. Kuusio-koloruuvi (vasenkätinen) 4. Löysää 5. Kiristä

Terän kiinnitys

Terää asentaessasi aseta se huolellisesti karaan varmistaen, että terän pinnassa olevan nuolen suunta on sama, kuin teräkotelossa olevan nuolen suunta.

► **Kuva36:** 1. Nuoli teräkotelossa 2. Nuoli terässä

Asenna ulkolaippa ja kuusio-koloruuvi. Käännä kuusio-koloruuvia vastapäivään kuusioavaimella painamalla samanaikaisesti akselilukkoa alas.

► **Kuva37:** 1. Kuusio-koloruuvi 2. Ulkolaippa 3. Sahanterä 4. Sisälaippa 5. Kara 6. Rengas

HUOMAUTUS: Jos sisälaippa irrotetaan, varmista, että asennat sen karan päälle niin, että sen uloke osoittaa terästä poispäin. Jos laippa asennetaan väärin, se hankaa laitetta vasten.

Palauta teräsuojus ja keskusjuokus alkuperäiseen asentoonsa. Kiristä sitten kuusioruuvia myötäpäivään keskusjuoksen lukitsemiseksi. Avaa rajoitintappi alustan vapauttamiseksi nostetusta asennosta. Varmista, että teräsuojus liikkuu oikein laskemalla kahva alas. Varmista ennen sahausta, että akselilukko on vapauttanut karan.

▲VAROITUS: Varmista aina ennen terän asentamista karalle, että sisä- ja ulkolaippojen väliin on asennettu käytettävän terän akselin reikään sopiva rengas. Vääränlaisen renkaan käyttäminen voi aiheuttaa terän virheellisen kiinnityksen, jolloin terä pääsee liikkumaan ja tarvitsee voimakkaasti, minkä seurauksena voi olla laitehallinnan menetys ja vakava henkilövahinko.

Pölynimurin kytkeminen

Jos haluat suorittaa siistin sahaustyön, liitä laitteeseen Makita-pölynimurin pölysuutin käyttämällä sovitinkappaletta 24 (lisävaruste).

► **Kuva38:** 1. Sovitinkappale 24 2. Letku 3. Pölynimuri

Pölypussi

Pölypussin käytön ansiosta sahaaminen on siistää ja pölyn kerääminen helppoa. Kiinnitä pölypussi irrottamalla pölynpoistoletku laitteesta ja liittämällä pölypussi.

► **Kuva39:** 1. Pölynpoistoletku 2. Pölypussi

Kun pölypussi on täyttynyt noin puoliksi, irrota pölypussi koneesta ja vedä suljin irti. Tyhjennä pussin sisältö napauttamalla sitä kevyesti siten, että sisään tarttuneet hiukkaset irtoavat. Näin ne eivät jää haittaamaan tulevaa pölynkeräystä.

► **Kuva40:** 1. Kiinnitin

Työkappaleen kiinnittäminen

VAROITUS: Työkappale pitää aina tukea asianmukaisesti käyttämällä oikeanlaista puristinta tai reunalistan rajoittimia. Muutoin seurauksena voi olla vakava henkilövahinko ja laitteen ja/tai työkappaleen vahingoittuminen.

VAROITUS: Kun olet lopettanut sahaamisen, älä nosta terää ylös, ennen kuin se on kokonaan pysähtynyt. Jos terä nostetaan sen vielä pyöriessä, seurauksena voi olla vakava henkilövahinko ja työkappaleen vahingoittuminen.

VAROITUS: Tukijalustaa pidempää työkappaletta sahattaessa, materiaali pitää tukea koko tukijalustan ylittävältä pituudeltaan ja yhtä korkealta kuin jalusta siten, että se pysyy suorassa. Kun tuet työkappaleen asianmukaisesti, välttää terän jumiumutuksen ja mahdollisen takapotkun, joka voi aiheuttaa vakavan henkilövahingon. Älä luota yksinomaan pystytynkkiin ja/tai vaakapuristimeen työkappaleen kiinnityksessä. Ohuella materiaalilla on taipumus notkua. Tue työkappaletta koko sen pituudessaan välttääksesi terän jumiumutuksen ja mahdollisen TAKAPOTKUN.

► **Kuva41:** 1. Tuki 2. Kääntöalusta

Ohjauskiskot

VAROITUS: Varmista ennen laitteen käyttöä, että yläohjauskisko on kiinnitetty luotettavasti paikalleen.

VAROITUS: Varmista ennen viistesahausta, ettei laitteeseen mikään osa, varsinkaan terä kosketa ylempiä ja alempia ohjauskiskoja kahvan ollessa laskettuna kokonaan alas tai ylös missä tahansa asennossa tai alustan ollessa siirrettyä ääri-asentoon saakka. Jos laite tai terä osuu ohjauskiskoon, seurauksena voi olla takapotku tai materiaalin odottamaton liike, mikä voi aiheuttaa vakavan henkilövahingon.

Käytä yläohjauskiskoja materiaalin tukemiseen korkeammalle kuin yläohjauskiskot. Aseta yläohjauskisko alahjauskiskon reikään ja kiristä kiristysruuvi.

► **Kuva42:** 1. Yläohjauskisko 2. Alahjauskisko 3. Kiristysruuvi 4. Säättöruuvi

HUOMAUTUS: Alahjauskiskot on kiinnitetty alustaan tehtaalla. Älä poista alahjauskiskoja.

HUOMAUTUS: Jos yläohjauskisko on edelleen löysä kiristysruuvien kiristämisen jälkeen, kierrä säättöruuvia välyksen poistamiseksi. Säättöruuvi on säädetty tehtaalla. Sinun ei tarvitse käyttää sitä ellei tarvetta ole.

Voit säilyttää yläohjauskiskoja pidikkeessä kun niitä ei käytetä. Kiinnitä yläohjauskisko pidikkeeseen kiinnikkeellä.

► **Kuva43:** 1. Pidike 2. Yläohjauskisko 3. Kiinnitin

Pystysuuntainen kappalepuristin

VAROITUS: Työkappale on kiinnitettävä puristimella lujasti kääntöalustaa ja ohjauskiskoa vasten jokaisen toimenpiteen ajaksi. Jos työkappaletta ei kiinnitetä asianmukaisesti ohjauskiskoa vasten, materiaali voi päästä liikkumaan sahauskoneen aikana aiheuttaen terävaurion. Materiaali saattaa myös sinkoutua irti aiheuttaen hallinnan menettämisen, mistä voi seurata vakava henkilövahinko.

► **Kuva44:** 1. Puristimen varsi 2. Puristimen tanko 3. Kiristysruuvi 4. Puristimen nuppi

Pystypuristin on asennettavissa kahteen asentoon alustan vasemmalle tai oikealle puolelle. Työnnä puristimen tanko alustassa olevaan aukkoon.

Sijoita puristimen varsi työkappaleen paksuuden ja muodon mukaan ja lukitse puristimen varsi kiristämällä ruuvia. Jos kiristysruuvi koskettaa alustaa, asenna se puristimen varren toiselle puolelle. Varmista, ettei laitteen mikään osa kosketa puristinta kahvan ollessa laskettuna täysin alas. Jos jokin osa koskettaa puristinta, sijoita puristin uudestaan. Purista työkappale tukevasti sahausvastetta ja kierros-pohjaa vasten. Aseta työkappale haluttuun asentoon ja kiinnitä se tukevasti kiristämällä puristimen kiristysnuppi.

HUOMAA: Työkappaleen asettamiseksi nopeasti, kierrä puristimen nuppia 90° vastapäivään, jolloin nuppia voidaan liikuttaa ylös ja alas. Lukitse työkappale paikalleen asetuksen jälkeen kiertämällä puristimen nuppia myötäpäivään.

Vaakapuristin

Lisävaruste

VAROITUS: Käännä puristimen mutteria aina myötäpäivään, kunnes työkappale on kiinnitetty luotettavasti paikalleen. Jos työkappaletta ei kiinnitetä asianmukaisesti, materiaali voi päästä liikkumaan sahauskoneen aikana aiheuttaen terävaurion. Materiaali saattaa myös sinkoutua irti aiheuttaen hallinnan menettämisen, mistä voi seurata vakava henkilövahinko.

VAROITUS: Kiinnitä ohut työkappale, kuten jalkalista ohjauskiskoa vasten aina vaakapuristimen avulla.

Vaakapuristin on asennettavissa kahteen asentoon alustan vasemmalle tai oikealle puolelle. Kun suoritat 22,5° -asteisia tai suurempia jirissahaaksia, asenna vaakapuristin kääntöalustan kääntämissuuntaan nähden vastakkaiselle puolelle.

► **Kuva45:** 1. Puristimen levy 2. Puristimen mutteri 3. Puristimen nuppi

Puristin vapautuu käännettäessä puristimen mutteria vastapäivään, jolloin se liikkuu nopeasti sisään ja ulos. Kiinnitä työkappale työntämällä puristimen nuppia eteenpäin, kunnes puristimen levy koskettaa työkappaletta ja kääntämällä puristimen mutteria myötäpäivään. Kierrä sitten puristimen nuppia myötäpäivään työkappaleen kiinnittämiseksi.

HUOMAA: Vaakapuristimeen voi kiinnittää enintään 228 mm leveän työkappaleen.

Pidikkeet

VAROITUS: Kiinnitä pitkät työkappale aina siten, että se on kääntöalustan yläpinnan kanssa samassa tasossa. Tällä varmistetaan tarkka sahaus ja estetään vaarallinen laitehallinnan menettäminen. Kun tuet työkappaleen asianmukaisesti, vältät terän jumiumumisen ja mahdollisen takapotkun, joka voi aiheuttaa vakavan henkilövahingon.

Laitteen molemmilla puolilla on pidikkeet pitkän työkappaleeseen tukemiseksi vaakasuorassa asennossa. Löysää ruuveja ja pidennä pidikkeitä haluttuun pituuteen asti työkappaleen tukemiseksi. Kiristä sitten ruuvit.

► **Kuva46:** 1. Pidike 2. Ruuvi

TYÖSKENTELY

VAROITUS: Varmista ennen kytkimen käyttämistä, että terä ei kosketa työkappaletta tms. Jos laitteeseen kytketään virta terän koskettaessa työkappaletta, seurauksena voi olla takapotku ja vakava henkilövahinko.

VAROITUS: Kun olet lopettanut sahaamisen, älä nosta terää ylös, ennen kuin se on kokonaan pysähtynyt. Jos terä nostetaan sen vielä pyöriessä, seurauksena voi olla vakava henkilövahinko ja työkappaleen vahingoittuminen.

VAROITUS: Älä suorita mitään säätöjä kuten, kahvan, nupin ja vipujen kääntämistä laitteessa terän edelleen pyöriessä. Terän pyörimisen aikana suoritettu säätö voi aiheuttaa vakavan henkilövahingon.

HUOMAUTUS: Varmista ennen käyttöä, että vapautta rajoittintapin ja kahvan ala-asennostaan.

HUOMAUTUS: Älä sovella liikaa painetta kahvaan leikatessa. Liiallinen painaminen voi ylikuormittaa moottoria ja/tai heikentää sahaustehoa. Paina kahvaa vain sen verran kun on tarpeen, jotta sahaus sujuu tasaisesti ilman, että terän nopeus laskee merkittävästi.

HUOMAUTUS: Saha painamalla kahvaa kevyesti alas. Jos kahvaa painetaan voimakkaasti tai sitä painetaan sivusuunnassa, terä saattaa alkaa väristä jättäen jäljen (sahaus-) työkappaleeseen ja sahaus tärkkyä voi järsiä.

HUOMAUTUS: Paina liukusahaamisen aikana alustaa varovaisesti ohjauksikkoa kohti ilman pysäytyksiä. Jos alustan liike pysäytetään sahausajan aikana, työkappaleeseen jää jälki ja sahaustarkkuus huononee.

Aukkosahaus

VAROITUS: Lukitse aina alustan liukuliike, painosahaamisen yhteydessä. Sahaus ilman riittävää lukitusruuvien kiristämistä voi aiheuttaa takapotkun, jonka seurauksena voi olla vakava henkilövahinko.

Enintään 68 mm korkeita ja 160 mm leveitä työkappaleita voidaan sahata seuraavalla tavalla.

► **Kuva47:** 1. Rajoittintappi

1. Työnnä alusta ohjauksikkoa vasten, kunnes se pysähtyy ja lukitse se rajoittintapilla.
2. Tue työkappale paikalleen oikeanlaisella ruuvipuristimella.
3. Kytke laite päälle ilman terän kosketusta ja odota, kunnes terä saavuttaa täyden nopeuden ennen sen alentamista.
4. Alenna sitten hellävaraisesti kahvaa täysin alennettuun asentoon työkappaleen sahaamista varten.
5. Kun leikkaus on valmis, kytke laite pois päältä ja odota, kunnes terä on täysin pysähtynyt ennen kuin nostat terän täysin kohotettuun asentoonsa.

Liukusahaus (työntö) (leveiden työkappaleiden sahaus)

VAROITUS: Vedä työntösahausta tehdessäsi kuljetin aina ensin kokonaan itseesi päin ja paina kahva kokonaan alas. Työnnä kuljetin sitten kohti sahausvastetta. **ÄLÄ KOSKAAN ALOITA SAHAUSTA, ELLEI KELKKA OLE KOKONAAN VEDETTYÄ ITSEESI PÄIN.** Jos työntösahaat ilman, että kuljetin on vedetty kokonaan itseesi päin, seurauksena voi olla odottamaton takapotku, mikä voi aiheuttaa vakavan henkilövahingon.

VAROITUS: Älä koskaan sahaa vetämällä kelkkaa itseesi päin. Jos vedät kuljetinta sahattaessa itseesi päin, seurauksena voi olla odottamaton takapotku, mikä voi aiheuttaa vakavan henkilövahingon.

VAROITUS: Älä koskaan työntösahaa, kun kahva on lukittu ala-asentoon.

► **Kuva48:** 1. Rajoitintappi

1. Löysää rajoitintappia niin, että alusta pääsee liukumaan vapaasti.
2. Tue työkappale paikalleen oikeanlaisella ruuvipuristimella.
3. Vedä kuljetin kokonaan itseesi päin.
4. Käynnistä kone ilman, että terä osuu mihinkään, ja odota, että terä on saavuttanut täyden nopeuden.
5. Paina kahva alas ja **työnnä kuljetinta kohti sahausvastetta työkappaleen läpi.**
6. Kun leikkaus on valmis, kytke laite pois päältä ja odota, kunnes **terä on täysin pysähtynyt** ennen kuin nostat terän täysin kohotettuun asentoonsa.

Jiirisahausta

Katso aiempaa kohtaa "Jiirikulman säätäminen".

Kallistussahausta

VAROITUS: Kun olet asettanut terän viistesahausta varten, varmista, että alusta ja terä liikkuvat vapaasti koko sahauspituudella ennen laitteen käyttöä. Jos alusta tai terän liike pysähtyy sahaamisen aikana, seurauksena voi olla takapotku ja vakava henkilövahinko.

VAROITUS: Pidä kätesi poissa terän tieltä viistesahausten aikana. Terän kulma saattaa sahattaessa aiheuttaa terän liikeradan virhearviointin, mistä seuraa vakava henkilövahinko.

VAROITUS: Terän saa nostaa vasta, kun se on täysin pysähtynyt. Irti sahattu kappale saattaa painua terää vasten viistesahausten aikana. Jos terää nostetaan sen pyöriessä, sahattu kappale saattaa sinkoutua irti terästä ja aiheuttaa materiaalin rikkoutumisen ja sen seurauksena vakavan henkilövahingon.

HUOMAUTUS: Kun painat alas kahvaa, käytä painetta rinnakkain terän kanssa. Sahaustarkkuus heikkenee, jos voima kohdistetaan kohtisuorasti kääntöalustaan tai jos paineen suuntaa muutetaan sahausajan aikana.

► **Kuva49**

1. Irrota yläohjauksisko siltä puolelta, mille alusta kallistetaan.
2. Vapauta rajoitintappi.
3. Säädä viistesahakulma luvun "Kallistuskulman säätäminen" mukaisesti. Kiristä sitten nappi.
4. Kiinnitä työkappale puristimella.
5. Vedä kuljetin kokonaan itseesi päin.
6. Käynnistä kone ilman, että terä osuu mihinkään, ja odota, että terä on saavuttanut täyden nopeuden.
7. Paina sitten varovasti sahanterä täysin ala-asentoon terän suuntaisesti ja **työnnä terää sahausvastetta kohti työkappaleen leikkaamiseksi.**
8. Kun leikkaus on valmis, kytke laite pois päältä ja odota, kunnes **terä on täysin pysähtynyt** ennen kuin nostat terän täysin kohotettuun asentoonsa.

Yhdistelmäsahaus

Yhdistetyssä sahauskoneessa työkappaleeseen tehdään samanaikaisesti viiste- ja jiirisahausta. Yhdistetty sahaus voidaan tehdä ohaisen taulukon osoittamissa kulmissa.

| Jiirikulma | Kallistuskulma |
|-------------------------|-------------------------|
| Vasen ja oikea 0° - 45° | Vasen ja oikea 0° - 45° |

Kun teet yhdistelmäsahausta, katso kohtien "Aukkosahausta", "Liukusausta (työntö)", "Jiirisahausta" ja "Kallistussahausta" ohjeita

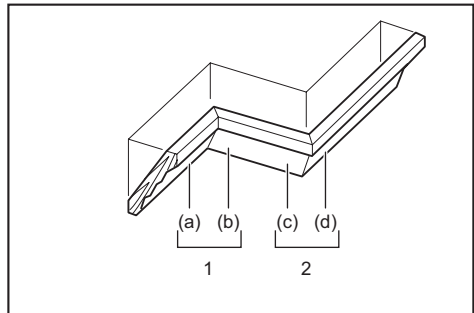
Kruunumallisten ja koverien reunalistojen sahaus

Kruunumalliset ja koverat reunalistat voidaan sahata yhdistelmäjiirisahalla asettamalla listat vaakatasoon kääntölevylle.

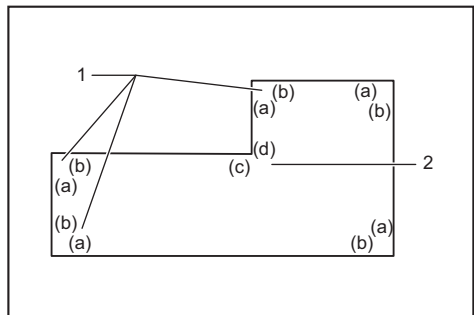
Kruunumallisten reunalistojen yleisesti käytettyjä tyyppiä on kaksi ja koverien reunalistojen tyyppiä yksi; 52/38° kruunumallinen seinämäkulma, 45° kruunumallinen seinämäkulma ja 45° kovera seinämäkulma.

► **Kuva50:** 1. 52/38°-tyypin reunalista 2. 45°-tyypin reunalista 3. 45°-tyypin kovera lista

Kruunumalliset ja koverat liittokset, jotka tehdään sopiviksi 90°-kulman "sisälle" ((a) (b) kuvassa) tai 90°-kulman "ulkopuolelle" ((c) (d) kuvassa).



1. Sisäkulma 2. Ulkokulma



1. Sisäkulma 2. Ulkokulma

Mittaus

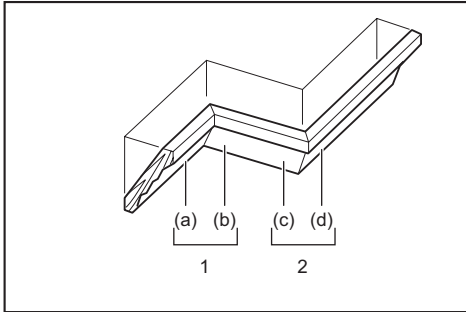
Mittaa seinän leveys ja leveyden säätämiseksi työkappaleen sen mukaan. Varmista aina, että työkappaleen seinän kosketusreunan leveys on sama kuin seinän pituus.

- **Kuva51:** 1. Työkappale 2. Seinän leveys
3. Työkappaleen leveys 4. Seinän kosketusreuna

Käytä aina useita testisahauksia sahauskulmien tarkistamiseen.

Aseta kruunumallisia ja koveria reunalistoja sahattaessa viisteskulma ja jirrisahauskulma taulukon (A) mukaisesti ja aseta listat sahausalustalle taulukon (B) mukaisesti.

Kun kyseessä on vasemmanpuoleinen viistesahaus



1. Sisäkulma 2. Ulkokulma

Taulukko (A)

| – | Kuvassa reunan muoto-asetto | Kallistuskulma | | Jiirikulma | |
|-------------|-----------------------------|----------------|------------|---------------|-------------|
| | | 52/38°-tyyppi | 45°-tyyppi | 52/38°-tyyppi | 45°-tyyppi |
| Sisäkulmaan | (a) | Vasen 33,9° | Vasen 30° | Oikea 31,6° | Oikea 35,3° |
| | (b) | | | Vasen 31,6° | Vasen 35,3° |
| Ulkokulmaan | (c) | Vasen 33,9° | Vasen 30° | Oikea 31,6° | Oikea 35,3° |
| | (d) | | | Vasen 31,6° | Vasen 35,3° |

Taulukko (B)

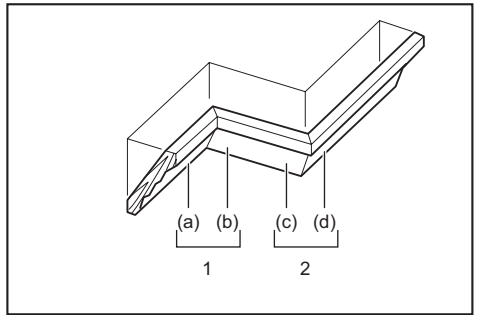
| – | Kuvassa reunan muotoasetto | Reunan muoto sahausvas-tetta vasten | Valmis kappale |
|-------------|----------------------------|--|---|
| Sisäkulmaan | (a) | Katon kosketusreunan tulee olla sahausvas-tetta vasten. | Valmis kappale tulee terän vasemmalle puolelle. |
| | (b) | Seinän kosketusreunan tulee olla sahausvas-tetta vasten. | |
| Ulkokulmaan | (c) | Katon kosketusreunan tulee olla sahausvas-tetta vasten. | Valmis kappale tulee terän oikealle puolelle. |
| | (d) | Katon kosketusreunan tulee olla sahausvas-tetta vasten. | |

Esimerkki:

Kun kyseessä on 52/38° kruunumallisen reunalistan sahaus asentoon (a) kuvan yllä:

- Kallista ja lukitse kallistuskulma-asetukseksi 33,9° VASEN.
- Säädä ja lukitse jirrisahauskulma-asetukseksi 31,6° OIKEA.
- Aseta kruunulista leveä selkäpuoli (piilossa) alaspäin kääntölevylle siten, että SISÄKATTOA KOSKETTAVA REUNA tulee sahan sahausvas-tetta vasten.
- Valmis kappale tulee sahausksen jälkeen aina terän VASEMMALLE puolelle.

Kun kyseessä on oikeanpuoleinen viistesahaus



1. Sisäkulma 2. Ulkokulma

Taulukko (A)

| – | Kuvassa reunan muoto-asetto | Kallistuskulma | | Jiirikulma | |
|-------------|-----------------------------|----------------|------------|---------------|-------------|
| | | 52/38°-tyyppi | 45°-tyyppi | 52/38°-tyyppi | 45°-tyyppi |
| Sisäkulmaan | (a) | Oikea 33,9° | Oikea 30° | Oikea 31,6° | Oikea 35,3° |
| | (b) | | | Vasen 31,6° | Vasen 35,3° |
| Ulkokulmaan | (c) | Oikea 33,9° | Oikea 30° | Oikea 31,6° | Oikea 35,3° |
| | (d) | | | Vasen 31,6° | Vasen 35,3° |

Taulukko (B)

| – | Kuvassa reunan muotoasetto | Reunan muoto sahausvas-tetta vasten | Valmis kappale |
|-------------|----------------------------|---|---|
| Sisäkulmaan | (a) | Seinän kosketusreunan tulee olla ohjauskiskoa vasten. | Valmis kappale tulee terän oikealle puolelle. |
| | (b) | Katon kosketusreunan tulee olla ohjauskiskoa vasten. | |
| Ulkokulmaan | (c) | Katon kosketusreunan tulee olla ohjauskiskoa vasten. | Valmis kappale tulee terän vasemmalle puolelle. |
| | (d) | Seinän kosketusreunan tulee olla ohjauskiskoa vasten. | |

Esimerkki:

Kun kyseessä on 52/38° kruunumallisen reunalistan sahaus asentoon (a) kuvan yllä:

- Kallista ja lukitse viistekulma asetus 33,9° OIKEA.
- Säädä ja lukitse jiirisahauskulma-asetukseksi 31,6° OIKEA.
- Aseta reunalista leveä selkäpuoli (piilossa) alaspäin kääntöalustalle niin, että SEINÄÄ KOSKETTAVA REUNA tulee ohjauskiskoa vasten.
- Valmis kappale tulee sahausksen jälkeen aina terän OIKEALLE puolelle.

Reunalistan rajoitin

Lisävaruste

Reunalistan rajoittimet helpottavat reunalistojen sahausta, koska sahanterää ei tarvitse kallistaa. Asenna ne kääntöalustalle kuvassa esitetyllä tavalla.

45° jiirisahauskulmassa oikealle

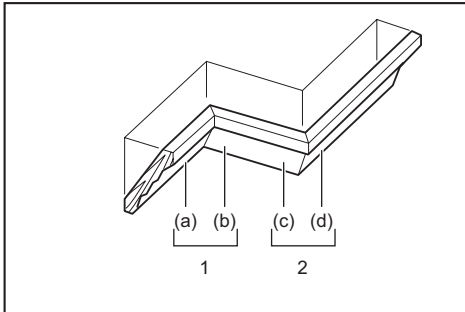
► **Kuva52:** 1. Reunalistan rajoitin V 2. Reunalistan rajoitin O 3. Kääntöalusta 4. Ohjauskisko

45° jiirisahauskulmassa vasemmalle

► **Kuva53:** 1. Reunalistan rajoitin V 2. Reunalistan rajoitin O 3. Kääntöalusta 4. Ohjauskisko

Aseta reunalista siten, että sen SEINÄÄ KOSKETTAVA REUNA tulee ohjauskiskoa vasten ja SISÄKATTOA KOSKETTAVA REUNA reunalistan rajoittimia vasten kuvassa esitetyllä tavalla. Säädä reunalistan rajoittimia reunalistan koon mukaan. Tue reunalistan rajoittimet paikalleen kiristämällä ruuvit. Katso jiirisahauskulma taulukosta (C).

► **Kuva54:** 1. Ohjauskisko 2. Reunalistan rajoitin



1. Sisäkulma 2. Ulkokulma

Taulukko (C)

| – | Kuvassa reunan muotoasento | Jiirikulma | Valmis kappale |
|-------------|----------------------------|------------|---------------------------|
| Sisäkulmaan | (a) | Oikea 45° | Säilytä terän oikea puoli |
| | (b) | Vasen 45° | Säilytä terän vasen puoli |
| Ulkokulmaan | (c) | | Säilytä terän oikea puoli |
| | (d) | Oikea 45° | Säilytä terän vasen puoli |

Alumiinisten puristetankojen sahaaminen

- **Kuva55:** 1. Ruuvipuristin 2. Välikappale 3. Sahausvaste 4. Alumiininen puristetanko 5. Välikappale

Kun kiinnität alumiinisia puristetankoja, käytä välikkeitä tai jätepaloja kuvan osoittamalla tavalla estääksesi alumiinin vääntymisen. Käytä sahausöljyä sahatessasi alumiinisia puristetankoja ehkäistäksesi alumiinin kertymisen terään.

VAROITUS: Älä koskaan sahaa paksuja tai pyöreitä alumiinisia puristetankoja. Paksua tai pyöreää alumiinitankoa voi olla vaikea kiinnittää tukevasti, ja se saattaa irrota kesken sahausksen, mikä voi aiheuttaa vakavan henkilövahingon.

Uran leikkaus

VAROITUS: Älä tee tällaista sahausta leveällä terällä tai dado-terällä. Urasahausten tekeminen leveällä terällä tai dado-terällä saattaa huonontaa sahausjälkeä ja aiheuttaa takapotkun, josta voi seurata vakava henkilövahinko.

VAROITUS: Varmista, että palautat pysäytinvarren alkuperäiseen asentoonsa, kun teet muuta, kuin uran leikkaamisen. Sahaamisen aloittaminen rajoitinvarren ollessa väärässä asennossa voi huonontaa sahausjälkeä ja aiheuttaa takapotkun, josta voi seurata vakava henkilövahinko.

Toimi seuraavasti dado-tyypin sahausksen toteuttamiseksi:

1. Säädä terän alempi raja-asento säätöruuvia käyttäen ja käytä pysäytinvarrtta terän leikkaussyvyyden rajoittamiseksi. Katso aiempaa kohtaa "Pysäytinvarsi".
2. Terän alemman raja-asennon säätämisen jälkeen, leikkaa rinnakkaiset urat työkappaleen leveyttä pitkin liukuleikkausta (työntö) käyttäen kuvan osoittamalla tavalla. ► **Kuva56:** 1. Leikkaa urat terällä
3. Poista sitten työkappaleen materiaali urien välistä taltalla.

Koneen kantaminen

Tarkasta ennen laitteen kuljettamista, että akut ovat irrotettu ja kaikki jiirisahan liikkuvat osat ovat kiinnitetty paikalleen. Tarkasta aina seuraava asia:

- Akut ovat irrotettu.
- Alusta on 0° viistekulmassa lukittuna.
- Alusta on laskettu alas ja lukittu.
- Alusta on täysin kiinni ohjauskiskossa ja lukittuna.
- Kääntöalusta on oikeassa jiirikulmassa ja lukittuna.
- Pidikkeet on säilössä kiinnitettyinä paikalleen.

Kuljeta laitetta niin, että pidät laitepohjan molemmilta puolilta kiinni kuvan osoittamalla tavalla.

► **Kuva57**

VAROITUS: Alustan noston rajoitintapit ovat tarkoitettu ainoastaan kuljetukseen ja varastointiin, eivätkä sahaustoimintoihin. Rajoitintapin käyttäminen sahattaessa saattaa liikuttaa sahanterää odottamattomalla tavalla, mikä voi aiheuttaa takapotkun ja vakavan henkilövahingon.

⚠HUOMIO: Kiinnitä kaikki liikkuvat osat aina ennen laitteen kuljetusta. Jos laitteen osat pääsevät liikkumaan siirtämisen aikana, seurauksena saattaa olla loukkaantuminen horjattamisen ja tasapainon menettämisen seurauksena.

LANGATON AKTIVOINTITOIMINTO

Vain malli DLS111

Mitä langattomalla aktivoointitoiminnolla voi tehdä

Langaton aktivoointitoiminto mahdollistaa puhtaan ja miellyttävän käyttötoiminnan. Liittämällä tuettu pölynimuri laitteeseen, voit käyttää pölynimuria automaattisesti yhdessä laitteen kytkintöiminnon kanssa.

► **Kuva58**

Langattoman aktivoointitoiminnon käyttämiseksi valmis-
tele seuraavat kohdat:

- Langaton yksikkö
- Pölynimuri, joka tulee langatonta aktivoointitoimintoa

Langattoman aktivoointitoiminnon asetuksen kuvaus on seuraavana. Katso jokaisen osion yksityiskohtaiset ohjeet.

1. Langattoman yksikön asennus
2. Laitteen rekisteröinti pölynimurille
3. Langattoman aktivoointitoiminnon aloitus

Langattoman yksikön asennus

⚠HUOMIO: Aseta laite tasaisen ja vakaan pinnan päälle langattoman yksikön asentamiseksi.

HUOMAUTUS: Puhdista laitteesta pöly ja lika ennen langattoman yksikön asentamista. Pöly ja lika voivat aiheuttaa käyttöhäiriöitä päästessään langattoman yksikön uraan.

HUOMAUTUS: Staattisuudesta aiheutuvien käyttöhäiriöiden estämiseksi kosketa staattisesti purkautuvaa materiaalia, kuten laitteen metalliosia ennen langattoman yksikön nostamista.

HUOMAUTUS: Varmista aina langattoman yksikön asennuksen aikana, että langaton yksikkö on liitetty oikeassa suunnassa ja kansi on suljettu täysin kiinni.

1. Avaa laitteen kansi kuvan osoittamalla tavalla.
► **Kuva59:** 1. Kansi
2. Liitä langaton yksikkö uraan ja tämän jälkeen sulje kansi.

Langattoman yksikön liittämisen aikana kohdista kielekkeet uran loviosioihin.

- **Kuva60:** 1. Langaton yksikkö 2. Kieleke 3. Kansi 4. Loviosio

Avaa kansi hitaasti langattoman yksikön irrottamisen aikana. Kannen takana olevat koukut nostavat langattoman yksikön ylös samalla kun nostat kannen ylös.

- **Kuva61:** 1. Langaton yksikkö 2. Koukku 3. Kansi

Säilytä langatonta yksikköä mukana toimitetussa kotelossa tai ei staattisessa säiliössä sen irrottamisen jälkeen.

HUOMAUTUS: Käytä aina kannen takana olevia koukkuja langattoman yksikön irrottamisen aikana. Jos koukut eivät tartu langattomaan yksikköön, sulje kansi täysin kiinni ja avaa se hitaasti uudelleen.

Laitteen rekisteröinti pölynimurille

HUOMAA: Makita pölynimuri tukee langatonta aktivoointitoimintoa, joka vaaditaan laiterekisteröintiä varten.

HUOMAA: Viimeistele langattoman yksikön asennus laitteeseen ennen laiterekisteröinnin aloittamista.

HUOMAA: Älä paina liipaisinkytkintä tai aseta pölynimurin virtakytkintä päälle laiterekisteröinnin aikana.

HUOMAA: Katso lisätietoja myös pölynimurin käyttöohjeesta.

Jos haluat aktivoida pölynimurin yhdessä laitteen kytkintöiminnon kanssa, viimeistele laiterekisteröinti ensin.

1. Asenna akut pölynimuriin ja laitteeseen.
2. Aseta pölynimurin valmiustilan kytkin asentoon "AUTO".

► **Kuva62:** 1. Valmiustilan kytkin

3. Paina pölynimurin langatonta aktivoointipainiketta noin 3 sekunnin ajan, kunnes langattoman aktivoinnin merkivalo vilkkuu vihreänä. Ja tämän jälkeen paina laitteen langatonta aktivoointipainiketta samalla tavalla.

- **Kuva63:** 1. Langaton aktivoointipainike
2. Langattoman aktivoinnin merkivalo

Jos pölynimuri ja laite kytketään oikein, langattoman aktivoinnin merkivalo palaa vihreänä 2 sekunnin ajan ja vilkkuu tämän jälkeen sinisenä.

HUOMAA: Langattoman aktivoinnin merkivalo lopet-
taa vilkkumisen vihreänä 20 sekunnin kuluttua. Paina
laitteen langatonta aktivoointipainiketta samalla kun
imurin langattoman aktivoinnin merkivalo vilkkuu.

Jos langattoman aktivoinnin merkivalo ei vilku vihre-
änä, paina langatonta aktivoointipainiketta lyhyesti ja
pidä sitä painettuna alas.

HUOMAA: Suoritettaessa kaksi tai useampaa laitere-
kisteröintiä yhdelle pölynimurille, lopeta laiterekiste-
röinti yksi kerrallaan.

Langattoman aktivoointitoiminnon aloitus

HUOMAA: Viimeistele laiterekisteröinti pölynimurille
ennen langatonta aktivoointia.

HUOMAA: Katso lisätietoja myös pölynimurin
käyttöohjeesta.

Kun laite on rekisteröity pölynimurille, pölynimuri toi-
mii automaattisesti yhdessä laitteen kytkintöiminnon
kanssa.

- Langattoman yksikön asennus laitteeseen.
- Kiinnitä pölynimurin letku laitteeseen.
► **Kuva64**
- Aseta pölynimurin valmiustilan kytkin asentoon "AUTO".
► **Kuva65:** 1. Valmiustilan kytkin
- Paina laitteen langatonta aktivointipainiketta lyhyesti. Langattoman aktivoinnin merkkivalo vilkkuu sinisenä.
► **Kuva66:** 1. Langaton aktivointipainike
2. Langattoman aktivoinnin merkkivalo
- Paina laitteen liipaisinkytkintä. Tarkasta, onko pölynimuri käynnissä samalla kun liipaisinkytkintä pidetään painettuna.

Lopeta pölynimurin langaton aktivointi painamalla laitteen langatonta aktivointipainiketta.

HUOMAA: Laitteen langattoman aktivoinnin merkkivalo lopettaa vilkkumisen sinisenä, jos mitään toimintoa ei ole suoritettu 2 tunnin aikana. Tässä tapauksessa aseta pölynimurin valmiustilan kytkin asentoon "AUTO" ja paina uudelleen laitteen langatonta aktivointipainiketta.

HUOMAA: Pölynimuri käynnistyy/sammuu viiveellä. Käytössä on aikaviive kun pölynimuri tunnistaa laitteen kytkintoiminnon.

HUOMAA: Langattoman yksikön lähetysetaisyys voi vaihdella riippuen sijainnista ja ympäristön olosuhteista.

HUOMAA: Jos kaksi tai useampia laitteita rekisteröidään yhdelle pölynimurille, pölynimuri voi aloittaa toiminnan vaikka ei olisi painanut liipaisinkytkintä, koska toinen käyttäjä käyttää langatonta aktivointitoimintoa.

Langattoman aktivoinnin merkkivalon tilan kuvaus

- **Kuva67:** 1. Langattoman aktivoinnin merkkivalo

Langattoman aktivoinnin merkkivalo osoittaa langattoman aktivointitoiminnon tilan. Katso merkkivalon tilaa koskeva tarkoitus alapuolella olevasta taulukosta.

| Tila | Langattoman aktivoinnin merkkivalo | | | | Kuvaus |
|------------------------------|------------------------------------|-------------------------------------|----------------------------------|-------------------------|---|
| | Väri | <input type="checkbox"/> Päällä | <input type="checkbox"/> Vilkkuu | Kesto | |
| Valmiustila | Sininen | <input checked="" type="checkbox"/> | <input type="checkbox"/> | 2 tuntia | Pölynimurin langaton aktivointi on käytettävissä. Merkkivalo sammuu automaattisesti jos mitään toimintoa ei ole suoritettu 2 tunnin aikana. |
| | | <input type="checkbox"/> | <input type="checkbox"/> | Kun laite on käynnissä. | Pölynimurin langaton aktivointi on käytettävissä ja laite on käynnissä. |
| Laiterekisteröinti | Vihreä | <input checked="" type="checkbox"/> | <input type="checkbox"/> | 20 sekuntia | Valmis laiterekisteröintiä varten. Odottaa rekisteröintiä pölynimurilta. |
| | | <input type="checkbox"/> | <input type="checkbox"/> | 2 sekuntia | Laiterekisteröinti on valmis. Langattoman aktivoinnin merkkivalo vilkkuu sinisenä. |
| Laiterekisteröinnin peruutus | Punainen | <input checked="" type="checkbox"/> | <input type="checkbox"/> | 20 sekuntia | Valmis laiterekisteröinnin peruutukseen. Odottaa peruutusta pölynimurilta. |
| | | <input type="checkbox"/> | <input type="checkbox"/> | 2 sekuntia | Laiterekisteröinnin peruutus on valmis. Langattoman aktivoinnin merkkivalo vilkkuu sinisenä. |
| Muut | Punainen | <input type="checkbox"/> | <input type="checkbox"/> | 3 sekuntia | Langattomalle yksikölle syötetään virtaa ja langaton aktivointitoiminto käynnistyy. |
| | Pois päältä | - | - | - | Pölynimurin langaton aktivointi on pysäytetty. |

Laiterekisteröinnin peruutus pölynimurille

Suorita seuraavat toimenpiteet peruuttaessasi laiterekisteröinnin pölynimurille.

- Asenna akut pölynimuriin ja laitteeseen.
- Aseta pölynimurin valmiustilan kytkin asentoon "AUTO".
► **Kuva68:** 1. Valmiustilan kytkin
- Paina pölynimurin langatonta aktivointipainiketta 6 sekunnin ajan. Langattoman aktivoinnin merkkivalo vilkkuu vihreänä ja tämän jälkeen punaisena. Tämän jälkeen paina laitteen langatonta aktivointipainiketta samalla tavalla.
► **Kuva69:** 1. Langaton aktivointipainike
2. Langattoman aktivoinnin merkkivalo

Jos peruutus suoritetaan oikein, langattoman aktivoinnin merkkivalo palaa punaisena 2 sekunnin ajan ja vilkkuu tämän jälkeen sinisenä.

HUOMAA: Langattoman aktivoinnin merkkivalo lopettaa vilkkumisen punaisena 20 sekunnin kuluttua. Paina laitteen langatonta aktivointipainiketta samalla kun imurin langattoman aktivoinnin merkkivalo vilkkuu. Jos langattoman aktivoinnin merkkivalo ei vilku punaisena, paina langatonta aktivointipainiketta lyhyesti ja pidä sitä painettuna alas.

Langattoman aktivointitoiminnon vianetsintä

Tarkista laite ensin itse, ennen kuin viet sen korjattavaksi. Jos ongelmaan ei löydy ratkaisua käyttöoppaasta, älä kuitenkaan yritä purkaa työkalua osiin. Vie ota sen sijaan yhteyttä Makita-huoltoliikkeeseen. Käytä korjaamiseen aina alkuperäisiä Makita-varaosia.

| Epänormaali tila | Todennäköinen syy (toimintahäiriö) | Korjaus |
|---|---|--|
| Langattoman aktivoinnin merkkivalo ei pala/vilku. | Langatonta yksikköä ei ole asennettu laitteeseen. Langaton yksikkö on asennettu virheellisesti laitteeseen. | Asenna langaton yksikkö oikein. |
| | Langattoman yksikön liitäntä ja/tai ura on likainen. | Pyyhi langattoman yksikön liitäntä varovaisesti pölystä ja liasta ja puhdista ura. |
| | Laitteen langatonta aktivointipainiketta ei ole painettu. | Paina laitteen langatonta aktivointipainiketta lyhyesti. |
| | Pölynimurin valmiustilan kytkintä ei ole asetettu asentoon "AUTO". | Aseta pölynimurin valmiustilan kytkin asentoon "AUTO". |
| | Ei virransyöttöä | Syötä virtaa laitteelle ja pölynimurille. |
| Laiterekisteröintiä/laiterekisteröinnin peruutusta ei voi viimeistellä oikein. | Langatonta yksikköä ei ole asennettu laitteeseen. Langaton yksikkö on asennettu virheellisesti laitteeseen. | Asenna langaton yksikkö oikein. |
| | Langattoman yksikön liitäntä ja/tai ura on likainen. | Pyyhi langattoman yksikön liitäntä varovaisesti pölystä ja liasta ja puhdista ura. |
| | Pölynimurin valmiustilan kytkintä ei ole asetettu asentoon "AUTO". | Aseta pölynimurin valmiustilan kytkin asentoon "AUTO". |
| | Ei virransyöttöä | Syötä virtaa laitteelle ja pölynimurille. |
| | Virheellinen toiminta | Paina langatonta aktivointipainiketta lyhyesti ja suorita laiterekisteröinti/peruutus uudelleen. |
| | Laite ja pölynimuri ovat kaukana toisistaan (lähetyalueen ulkopuolella). | Siirrä laite ja pölynimuri lähemmäksi toisiaan. Maksimilähetysetäisyys on noin 10 m, mutta se voi kuitenkin vaihdella olosuhteista riippuen. |
| | Ennen laiterekisteröinnin/peruutuksen viimeistelyä; - laitteen liipaisinkytkintä on painettu tai; - pölynimurin virtakytkin on kytketty päälle. | Paina langatonta aktivointipainiketta lyhyesti ja suorita laiterekisteröinti/peruutus uudelleen. |
| | Laiterekisteröintiä laitteelle tai pölynimurille ei ole viimeistely. | Suorita laiterekisteröinti sekä laitteelle että pölynimurille samanaikaisesti. |
| Muiden laitteiden aiheuttama radiohäiriö voi muodostaa erittäin voimakkaita radioaaltoja. | Pidä laite ja pölynimuri kaukana laitteista, kuten Wi-Fi-laitteet ja mikroaaltouunit. | |

| Epänormaali tila | Todennäköinen syy (toimintahäiriö) | Korjaus |
|---|--|--|
| Pölynimuri ei toimi yhdessä laitteen kytkintöiminnon kanssa. | Langatonta yksikköä ei ole asennettu laitteeseen. Langatonta yksikköä on asennettu virheellisesti laitteeseen. | Asenna langatonta yksikköä oikein. |
| | Langattoman yksikön liitäntä ja/tai ura on likainen. | Pyyhi langattoman yksikön liitäntä varovaisesti pölystä ja liasta ja puhdista ura. |
| | Laitteen langatonta aktivointipainiketta ei ole painettu. | Paina langatonta aktivointipainiketta lyhyesti ja varmista, että langattoman aktivoinnin merkivalo vilkkuu sinisenä. |
| | Pölynimurin valmiustilan kytkintä ei ole asetettu asentoon "AUTO". | Aseta pölynimurin valmiustilan kytkin asentoon "AUTO". |
| | Yli 10 laitetta on rekisteröity pölynimurille. | Suorita laiterekisteröinti uudelleen. Jos yli 10 laitetta on rekisteröity pölynimurille, aikaisemmin rekisteröity laite peruutetaan automaattisesti. |
| | Pölynimuri poistaa kaikki laiterekisteröinnit. | Suorita laiterekisteröinti uudelleen. |
| | Ei virransyöttöä | Syötä virtaa laitteelle ja pölynimurille. |
| | Laite ja pölynimuri ovat kaukana toisistaan (lähetyalueen ulkopuolella). | Siirrä laite ja pölynimuri lähemmäksi toisiaan. Maksimilähetyetäisyys on noin 10 m, mutta se voi kuitenkin vaihdella olosuhteista riippuen. |
| | Muiden laitteiden aiheuttama radiohäiriö voi muodostaa erittäin voimakkaita radioaaltoja. | Pidä laite ja pölynimuri kaukana laitteista, kuten Wi-Fi-laitteet ja mikroaaltouuni. |
| Pölynimuri on käynnissä samalla kun liipaisinkytkintä ei paineta. | Muut käyttäjät käyttävät pölynimurin langatonta aktivointia heidän laitteillaan. | Katkaise muiden laitteiden langatonta aktivointipainike tai peruuta muiden laitteiden laiterekisteröinti. |

KUNNOSSAPITO

VAROITUS: Varmista aina ennen tarkastusta tai huoltoa, että laite on sammutettu ja akut irrotettu. Jos laitetta ei sammuteta ja akkuja irroteta, se voi käynnistyä vahingossa ja aiheuttaa vakavan henkilövahingon.

VAROITUS: Varmista aina, että terä on terävä ja puhdas, jotta työskentely sujuisi mahdollisimman hyvin ja turvallisesti. Sahaaminen tylsällä ja/ tai likaisella terällä saattaa aiheuttaa takapotkun ja vakavan henkilövahingon.

HUOMAUTUS: Älä koskaan käytä bensiiniä, ohenteita, alkoholia tai tms. aineita. Muutoin pinta voi halkeilla tai sen värit ja muoto voivat muuttua. Muutoin laitteeseen voi tulla värjäytymiä, muodon vääristymiä tai halkeamia.

Sahauskulman säätäminen

Työkalu on huolellisesti asennettu ja kohdistettu tehtaalla, mutta kova käsittely on saattanut vaikuttaa kohdistukseen. Jos työkaluasi ei ole asianmukaisesti kohdistettu, tee seuraavat toimenpiteet:

Jiirikulma

Laske kahva täysin alas ja lukitse se ala-asentoonsa rajoitintappia käyttämällä. Työnnä alusta ohjauskiskoa vasten. Löysää kahva ja osoittimen ja jiirikulma-asteikon kiinnitysruuvit.

► **Kuva70:** 1. Osoittimen ruuvi 2. Jiirikulma-asteikon ruuvit 3. Jiirikulma-asteikko

Aseta kääntöalusta asentoon 0° käyttämällä tarkkaa pysäytystoimintoa. Aseta teränreuna kulmaan ohjauskiskon kanssa kolmioviivaimella tai nelioikulmalla. Pidä sitä kulmassa ja kiristä ruuvit jiirikulman asteikossa. Kohdistaa tämän jälkeen osoittimet (vasen ja oikea) 0° asennon kanssa jiirikulman asteikossa ja kiristä osoittimen ruuvi.

► **Kuva71:** 1. Kolmioviivain

Kallistuskulma

0° kallistuskulma

Työnnä alusta ohjauskiskoa vasten ja lukitse sen liukuliike rajoitintappilla. Laske kahva täysin alas ja lukitse se ala-asentoonsa rajoitintappia käyttämällä ja löysää nappi tämän jälkeen. Kallista terää oikealle kiertämällä 0° kulman säätöruuvia kaksi tai kolme kierrosta vastapäivään.

► **Kuva72:** 1. 0° säätöruuvi 2. Ruuvi

Tasaa terän syrjä varovasti kääntöalustan yläpinnan kanssa kolmioviivaimen, vastekulmakon tms. avulla kääntämällä 0° kulman säätöruuvia myötäpäivään. Tämän jälkeen kiristä nappi luotettavasti asettaaksesi 0° asteen kulmaan.

► **Kuva73:** 1. Kolmioviivain 2. Sahanterä 3. Kääntöalustan yläpinta

Tarkasta uudestaan terän kulma kääntöpöydän pinnan kanssa. Löysää osoittimen ruuvi. Kohdistaa osoitin 0° asennon kanssa viistekulman asteikolla ja kiristä ruuvi.

45° kallistuskulma

HUOMAUTUS: Ennen 45° viistekulman säätämistä, säädä ensin 0° viistekulma.

Löysää nuppia ja kallista alusta täysin haluamallesi tarkastettavalle puolelle. Tarkasta, näyttääkö osoitin 45° kulmaa viistekulma-asteikolla.

► Kuva74

Jos osoitin ei näytä 45° kulmaa, kohdista se 45° kulmassa kiertämällä säätöruuvia viistekulma-asteikolla päinvastaiseen suuntaan.

► **Kuva75:** 1. Vasen 45° säätöruuvi 2. Oikea 45° säätöruuvi

Laserviivan säätö

Vain malli DLS111, DLS112

VAROITUS: Akut ovat asennettava laitteeseen laserviivan säätämisen aikana. Noudata varovaisuutta, ettet käynnistä laitetta säädön aikana. Laitteen käynnistäminen vahingossa saattaa aiheuttaa vakavan henkilövahingon.

HUOMIO: Älä koskaan katso suoraan lasersäteeseen. Lasersäteen osuminen suoraan silmiin voi aiheuttaa vakavan silmävamman.

HUOMAUTUS: Tarkista laserviivan suunta säännöllisesti tarkkuuden varmistamiseksi.

HUOMAUTUS: Älä altista laitetta iskuille. Laitteeseen kohdistuvat iskut saattavat siirtää laserviivaa tai vaurioittaa laseria ja lyhentää sen käyttöikää.

HUOMAUTUS: Korjauta kaikki laitteen laseryksikön viat Makitan valtuutetussa huoltopisteessä.

Laserviivan liikekantama määritetään kantaman säätöruuveilla molemmilla puolilla. Suorita seuraavat toimenpiteet laserviivan muuttamiseksi.

1. Irrota akut.
2. Piirrä sahauslinja työkappaleeseen ja sijoita se kääntöalustan päälle. Tässä vaiheessa, älä kiinnitä työkappaletta puristimella tai vastaavalla kiinnityslaitteella.
3. Laske kahva alas ja kohdista sahauslinja sahante-rän kanssa.
4. Palauta kahva sen alkuasentoonsa ja kiinnitä työkappale pystypuristimella niin, että työkappale ei liiku määrittelemästasi asennosta.
5. Asenna akut ja kytkte laserkytkin päälle.
6. Löysää säätöruuvia. Siirrä laserviiva kauemmaksi terästä kiertämällä kantaman säätöruuveja vastapäivään. Siirrä laserviiva lähemmäksi terää kiertämällä kantaman säätöruuveja myötäpäivään.

Laserviivan säätäminen terän vasemmalle puolelle

► **Kuva76:** 1. Säätöruuvi 2. Kantaman säätöruuvi 3. Kuusioavain 4. Laserviiva 5. Sahanterä

Laserviivan säätäminen terän oikealle puolelle

► **Kuva77:** 1. Säätöruuvi 2. Kantaman säätöruuvi 3. Kuusioavain 4. Laserviiva 5. Sahanterä

7. Siirrä säätöruuvia siihen kohtaan, missä laserviiva on sahauslinjan päällä ja kiristä säätöruuvi.

HUOMAA: Laserin liikekantama on säädetty tehtaalla 1 mm (0,04") puitteissa terän sivupinnasta.

Laservalon linssin puhdistaminen

Vain malli DLS111, DLS112

Laservalo heikkenee sen linssien ollessa likaiset. Puhdista laservalon linssit säännöllisesti.

► **Kuva78:** 1. Ruuvi 2. Linssit

Irrota akut. Löysää ruuvia ja vedä linssit irti. Puhdista linssit varovaisesti kostealla liinalla.

HUOMAUTUS: Älä irrota linssien kiinnitysruuvia. Jos linssit eivät irtoa, löysää ruuvia vasta nyt.

HUOMAUTUS: Älä käytä liuottimia tai öljypohjaisia puhdistusaineita linssien puhdistamiseen.

Käytön jälkeen

Käytön jälkeen pyyhi työkaluun liimautuneet lastut ja pöly pois kankaalla tai vastaavalla. Pidä teränsuojus puhtaana aikaisemmin käsitellyssä "Teränsuojus" osassa mainittujen ohjeiden mukaan. Voitele liukuosat koneöljyllä ruostumisen ehkäisemiseksi.

Tuotteen TURVALLISUUDEN ja LUOTETTAVUUDEN takaamiseksi korjaukset, muut huoltotyöt ja säädöt on teetettävä Makitan valtuutetussa huoltopisteessä Makitan varaosia käyttäen.

LISÄVARUSTEET

VAROITUS: Nämä Makita-lisävarusteet tai -laitteet on tarkoitettu käytettäväksi tässä ohjekirjassa mainitun Makita-laitteen kanssa. Muiden lisävarusteiden tai -laitteiden käyttäminen voi aiheuttaa vakavan henkilövahingon.

VAROITUS: Käytä Makita-lisävarustetta tai -laitetta vain sen ilmoitettuun käyttötarkoitukseen. Lisävarusteen tai laitteen väärä tai virheellinen käyttö voi aiheuttaa vakavan henkilövahingon.

Jos tarvitset apua tai yksityiskohtaisempia tietoja seuraavista lisävarusteista, ota yhteys paikalliseen Makitan huoltoon.

- Teräs- ja kovametalliteräiset sahanterät
- Pystysuuntainen kappalepuristin
- Vaakapuristin
- Reunalistan rajoitinsarja
- Pölypussi
- Kolmioviivain
- Kuusioavain
- Kuusioavain (laserin säätämiseen)
- Langaton yksikkö (mallille DLS111)
- Aito Makitan akku ja laturi

HUOMAA: Jotkin luettelossa mainitut varusteet voivat sisältyä työkalun toimitukseen vakiovarusteina. Ne voivat vaihdella maittain.

SPECIFIKĀCIJAS

| Modelis: | | DLS110 | DLS111 | DLS112 |
|--------------------------------------|-----------------------|--|--|--------|
| Asmens diametrs | Eiropas valstis | 260 mm | | |
| | Valstis ārpus Eiropas | 255 mm – 260 mm | | |
| Atveres diametrs | Eiropas valstis | 30 mm | | |
| | Valstis ārpus Eiropas | 25,4 mm | | |
| Zāģa asmens iezāģējuma maks. biezums | | 3,2 mm | | |
| Maks. zāģēšanas leņķis | | Pa labi 60°, pa kreisi 60° | | |
| Maks. slīpais leņķis | | Pa labi 48°, pa kreisi 48° | | |
| Ātrums bez slodzes (apgr./min) | | 4 400 min ⁻¹ | | |
| Lāzera veids | | - | Sarkanais lāzers: 650 nm, maksimālā izejas jauda: < 1,6 mW (lāzera klase: 2M) | |
| Nominālais spriegums | | Līdzstrāva 36 V | | |
| Akumulatora kasetne | | BL1815N, BL1820, BL1820B, BL1830, BL1830B, BL1840, BL1840B, BL1850, BL1850B, BL1860B | | |
| Lādētājs | | DC18RC, DC18RD, DC18SD, DC18SE, DC18SF | | |
| Izmēri (G × P × A) | | 805 mm × 644 mm × 660 mm | | |
| Neto svars | | 26,6 - 27,3 kg | | |

Zāģēšanas jauda (A x P)

| Zāģēšanas leņķis | Slīpleņķa zāģēšana | | |
|----------------------------|----------------------------------|----------------------------------|----------------------------------|
| | 45° (pa kreisi) | 0° | 45° (pa labi) |
| 0° | 42 mm × 310 mm 58 mm × 279 mm | 68 mm × 310 mm 91 mm × 279 mm | 29 mm × 310 mm 43 mm × 279 mm |
| 45° (pa labi un pa kreisi) | 42 mm × 218 mm 58 mm × 197 mm | 68 mm × 218 mm 91 mm × 197 mm | 29 mm × 218 mm 43 mm × 197 mm |
| 60° (pa labi un pa kreisi) | - | 68 mm × 155 mm 91 mm × 139 mm | - |

Zāģēšanas jauda speciāliem zāģēšanas veidiem

| Zāģēšanas veids | Griešanas jauda |
|---|-----------------|
| Griestu cokols 45° leņķī (izmantojot griestu cokola aiztura kloķi) | 168 mm |
| Grīdlīste (izmantojot horizontālās skrūvspīles) | 133 mm |

- Nepārtrauktās izpētes un izstrādes programmas dēļ šeit uzrādītās specifikācijas var tikt mainītas bez brīdinājuma.
- Specifikācijas un akumulatora kasetne var atšķirties dažādās valstīs.
- Svārs var būt atšķirīgs atkarībā no papildierīces (-ēm), tostarp akumulatora kasetnes. Tabulā ir attēlota vieglākā un smagākā kombinācija atbilstoši EPTA procedūrai 01/2014.

Simboli

Zemāk ir attēloti simboli, kas attiecas uz iekārtu. Pirms darbarīka izmantošanas pārliecinieties, vai pareizi izprotat to nozīmi.



Izlasiet lietošanas rokasgrāmatu.



Lai izvairītos no atlecošiem gruziem, turpiniet turēt zāģa augšdaļu uz leju līdz asmens ir pilnībā apstājies.



Veicot slīdes zāģēšanu, vispirms pavelciet rāmi līdz galam un nospiediet rokturi, pēc tam bīdiet rāmi virzošās barjeras virzienā.



Neturiet roku vai pirkstus asmens tuvumā.



Nekādā gadījumā neskatieties lāzera starā. Tiešs lāzera stars var ievainot acis.



Tikai ES valstīm
Neizmetiet elektriskās iekārtas kopā ar mājturības atkritumiem! Saskaņā ar Eiropas direktīvu par lietotajām elektroiekārtām un elektronikas iekārtām un tās iekļaušanu valsts likumdošanā lietotais elektriskais aprīkojums jāsavāc atsevišķi un jānogādā otrreizējai pārstrādei vidi saudzējošā veidā.

Paredzētā lietošana

Šis darbarīks ir paredzēts precīziem taisniem un slīpiem iegriezumiem kokā. Ar piemērotiem zāga asmeņiem iespējams zāgēt arī alumīniju.

Trokšņa līmenis

Tipiskais A svērtais trokšņa līmenis noteikts saskaņā ar EN62841:

Modelis DLS110

Skaņas spiediena līmeni (L_{pA}): 92 dB (A)
Skaņas jaudas līmeni (L_{WA}): 102 dB (A)
Mainīgums (K): 3 dB (A)

Modelis DLS111

Skaņas spiediena līmeni (L_{pA}): 92 dB (A)
Skaņas jaudas līmeni (L_{WA}): 102 dB (A)
Mainīgums (K): 3 dB (A)

Modelis DLS112

Skaņas spiediena līmeni (L_{pA}): 92 dB (A)
Skaņas jaudas līmeni (L_{WA}): 102 dB (A)
Mainīgums (K): 3 dB (A)

BRĪDINĀJUMS: Lietojiet ausu aizsargus.

Vibrācija

Vibrācijas kopējā vērtība (trīsasu vektora summa) noteikta atbilstoši EN62841:

Modelis DLS110

Vibrācijas izmēte (a_h): 2,5 m/s² vai mazāk
Mainīgums (K): 1,5 m/s²

Modelis DLS111

Vibrācijas izmēte (a_h): 2,5 m/s² vai mazāk
Mainīgums (K): 1,5 m/s²

Modelis DLS112

Vibrācijas izmēte (a_h): 2,5 m/s² vai mazāk
Mainīgums (K): 1,5 m/s²

PIEZĪME: Paziņotā vibrācijas emisijas vērtība noteikta atbilstoši standarta pārbaudes metodei un to var izmantot, lai salīdzinātu vienu darbarīku ar citu.

PIEZĪME: Paziņoto vibrācijas emisijas vērtību arī var izmantot iedarbības sākotnējā novērtējumā.

BRĪDINĀJUMS: Reāli lietojot elektrisko darbarīku, vibrācijas emisija var atšķirties no paziņotās emisijas vērtības atkarībā no darbarīka izmantošanas veida.

BRĪDINĀJUMS: Lai aizsargātu lietotāju, nosakiet drošības pasākumus, kas pamatoti ar iedarbību reālos darba apstākļos (ņemot vērā visus ekspluatācijas cikla posmus, piemēram, laiku, kamēr darbarīks ir izslēgts un kad darbojas tukšgaitā, kā arī palaides laiku).

EK atbilstības deklarācija

Tikai Eiropas valstīm

EK atbilstības deklarācija šajā lietošanas rokasgrāmatā ir iekļauta kā A pielikums.

DROŠĪBAS BRĪDINĀJUMI

Vispārīgi elektrisko darbarīku drošības brīdinājumi

BRĪDINĀJUMS: Izlasiet visus drošības brīdinājumus, instrukcijas, apskatiet ilustrācijas un tehniskos datus, kas iekļauti mehanizētā darbarīka komplektācijā. Ja netiek ievēroti visi tālāk minētie noteikumi, var tikt izraisīta elektrotrauma, notikt aizdegšanās un/vai rasties smagas traumas.

Glabājiet visus brīdinājumus un norādījumus, lai varētu tajos ieskatīties turpmāk.

Termins „elektrisks darbarīks” brīdinājumos attiecas uz tādu elektrisko darbarīku, ko darbina ar elektrību (ar vadu), vai tādu, ko darbina ar akumulatoru (bez vada).

Drošības norādījumi leņķzāģiem

1. **Leņķzāģi paredzēti koka vai kokam līdzīgu materiālu zāģēšanai, un tos nevar izmantot ar abrazīvajām griešanas ripām, lai grieztu metāla izstrādājumus, piemēram, sijas, stieņus, skrūves u. tml.** Abrazīvie putekļi izraisa kustīgo daļu, piemēram, apakšējā aizsarga, iestrēgšanu. Dzirksteles, kas rodas, griežot ar abrazīvo ripu, aizdedzinās apakšējo aizsargu, iezāģēšanas plātni un citas plastmasas daļas.
2. **Kad iespējams, apstrādājamā materiāla atbalstam izmantojiet skavas.** Atbalstot apstrādājamo materiālu ar plaukstu, turiet plaukstu vismaz 100 mm attālumā no abām zāga asmeņiem. Neizmantojiet šo zāģi, lai zāģētu detaļas, kuras nelielā izmēra dēļ nav iespējams droši fiksēt ar skavām vai turēt ar plaukstu. Turot plaukstu pārāk tuvu zāga asmeņim, var pieskarties asmeņim un ievainot plaukstu.
3. **Apstrādājamajam materiālam jābūt nekustīgam un fiksētam ar skavām vai piespiestam pie ierobežotāja vai galda.** Nekādā gadījumā nevirsiet apstrādājamo materiālu pret asmeni un neizāģējiet ar „brīvu roku”. Liels ātrums var aizsviest nefiksētus vai kustīgus apstrādājamus materiālus, tādējādi radot ievainojumus.
4. **Spiediet zāģi caur apstrādājamo materiālu.** Nevelciet zāģi caur apstrādājamo materiālu. Lai veiktu griezumus, paceliet zāģa galvu un neizāģējot velciet to pār apstrādājamo materiālu, iedarbiniet motoru, nospiediet zāģa galvu leļup un spiediet zāģi caur apstrādājamo materiālu. Velkot zāģa asmeņus var iznākt apstrādājamā materiāla virspusē un ar spēku atgrūst asmeņus mezgla operatora virzienā.

5. **Nekādā gadījumā nelieciet plaukstu ne uz paredzētās zāgēšanas līnijas, ne arī zāga asmens priekšā vai aizmugurē.** Apstrādājamo materiālu fiksējot ar sakrustotām rokām, t. i., ar kreiso roku turot apstrādājamo materiālu zāga asmens labajā pusē vai otrādi, var radīt ļoti bīstamu situāciju.
 - **Att.1**
 6. **Asmenim griežoties, nesniedzieties ar rokām aiz ierobežotāja tuvāk par 100 mm katrā zāga asmens pusē, lai notīrītu koka atgriezumus vai veiktu citas darbības.** Jūs nevarēsiet novērtēt attālumu no rotējošā zāga asmens līdz rokai un varat smagi savainoties.
 7. **Pirms zāgēšanas pārbaudiet apstrādājamo materiālu.** Ja apstrādājamais materiāls ir izliekts vai sameties, iespējējiet to, novietojot uz ārpusi izliekto virsmu pret ierobežotāju. Vienmēr pārliecinieties, ka starp apstrādājamo materiālu, ierobežotāju un galdu gar griezuma līniju nav spraugas. Izliekti vai sametušies apstrādājamo materiāli var pagriezties vai pabīdīties, tādējādi zāgēšanas laikā iekļīdējot zāga asmeni. Apstrādājamajā materiālā nedrīkst būt naglas vai citi svešķermeņi.
 8. **Pirms zāgēšanas noņemiet no galda visus instrumentus, koka atgriezumus u. tml., atstājiet tikai apstrādājamo materiālu.** Rotējošais asmens var aizķert sīkus grūžus vai koka gabalus un citus priekšmetus un aizsviest tos ar lielu ātrumu.
 9. **Vienlaikus zāgējiet tikai vienu apstrādājamo materiālu.** Vairākas citu citam uzkrautus apstrādājamo materiālus nevar droši fiksēt ar skavām vai atbalstīt, un zāgēšanas laikā tajos var iestrēgt asmens vai tie var pabīdīties.
 10. **Pirms lietošanas montējiet vai novietojiet leņķzāgi uz horizontālas, stabilas darba virsmas.** Horizontāla, stabila darba virma samazina leņķzāga nestabilitātes risku.
 11. **Plānojiet darba gaitu. Katru reizi, mainot slīpenča vai leņķa iestatījumu, iestatiet pareizi regulējamo ierobežotāju, lai tas atbalstītu apstrādājamo materiālu un nepieskartos asmeņim vai aizsargsistēmai.** Neieslēdzot darbarīku „ON” režīmā un nenovietojot uz galda apstrādājamo materiālu, virziet zāga asmeni, modelējot paredzēto griezumu, lai nodrošinātu, ka nenotiks saskare vai neiezāgēsiet ierobežotāju.
 12. **Zāgējot apstrādājamo materiālu, kas ir plātaks vai garāks par galda virsmu, izmantojiet piemērotu paliktņi, piemēram, galda pagarinātājus, kokzāgēšanas steķi u. tml.** Nepietiekami atbalstīti apstrādājamo materiāli, kas garāki vai plātāki par leņķzāga galda virsmu, var nokrist. Nozāgētais gabals vai apstrādājamais materiāls krītot var pacelt apakšējo aizsargu vai rotējošais asmens to var aizsviest.
 13. **Galda pagarinājumam vai papildu atbalstam neizmantojiet cita cilvēka palīdzību.** Nestabila apstrādājamā materiāla pamatne zāgēšanas procesā var izraisīt asmens iekļīšanos vai apstrādājamā materiāla pārbīdi, uzstumjot jūsu palīgu uz rotējošā zāga asmens.
 14. **Nozāgēto gabalu nekādā gadījumā nedrīkst iekļīlēt rotējošā zāga asmenī vai tam piespiest.** Piespiests nozāgētais gabals, t. i., izmantojot piebīdņus, var iestrēgt pie asmens, kas to var spēcīgi aizsviest.
 15. **Vienmēr izmantojiet skavas vai stiprinājumu, kas paredzēti apalu materiālu, piemēram, stieņu vai cauruļu, pareizai balstīšanai.** Zāgēšanas procesā stieņi var rīpot, asmens iecirsties stienī un ievilkst materiālu ar jūsu roku pret asmeni.
 16. **Pirms pieskaršanās apstrādājamajam materiālam ar zāgi ļaujiet asmenim griezties ar maksimālo ātrumu.** Tādējādi samazināsiet apstrādājamā materiāla aizmešanas riskus.
 17. **Ja apstrādājamais materiāls vai asmens iestrēdzis, izslēdziet leņķzāgi.** Nogaidiet, līdz visas kustīgās daļas apstājas, atvienojiet spraudni no strāvas avota un/vai izņemiet akumulatora bloku. Pēc tam atbrīvojiet iestrēgušo materiālu. Turpinot zāgēt, ja apstrādājamais materiāls ir iestrēdzis, leņķzāgis var kļūt nevadāms vai sabojāties.
 18. **Pēc griezuma pabeigšanas un pirms nozāgētā gabala noņemšanas, atlaidiet slēdzi, turiet zāga galvu leju un nogaidiet, līdz asmens apstājas.** Pieskaroties pēc inerces rotējošā asmens tuvumā, var rasties bīstama situācija.
 19. **Veicot nepilnīgu griezumu vai atlaižot slēdzi pirms zāga galva ir nolaista pavisam, turiet rokturi stingri.** Zāga bremzēšanas kustība var piepēsi paraut leju zāga galvu, tādējādi radot savainošanās risku.
 20. **Izmantojiet zāga asmeņus tikai ar tādu diametru, kāds norādīts uz darbarīka vai rokasgrāmatā.** Izmantojot nepareiza izmēra asmeni, var tikt ietekmēta asmens pienācīga aizsardzība vai aizsarga darbība, un tas var izraisīt smagas traumas.
 21. **Izmantojiet tikai tādus zāga asmeņus, kas ir marķēti ar ātrumu, kas ir tāds pats vai lielāks kā uz darbarīka norādītais ātrums.**
 22. **Neizmantojiet zāgi, lai zāgētu materiālus, kas nav koks, alumīnijs vai līdzīgi materiāli.**
 23. **(Tikai Eiropas valstīm) Vienmēr izmantojiet asmeni, kas atbilst standartam EN847-1.**
- Papildu norādījumi**
1. **Ar piekaramo slēdzeni nodrošiniet, lai darbnīcā neiekļūtu bērni.**
 2. **Nekādā gadījumā nestāviet uz darbarīka.** Darbarīkam krītot vai nejauši iedarbinot griešanas instrumentu, var gūt smagus ievainojumus.
 3. **Nekad neatstājiet darbarīku ieslēgtu bez uzraudzības.** Izslēdziet strāvas padevi. Neatstājiet darbarīku bez uzraudzības, kamēr tā darbība nav pavisam apstājusies.
 4. **Nelietojiet zāgi, ja aizsargi nav uzlikti.** Pirms katras lietošanas reizes pārbaudiet, vai asmens aizsargs aizveras pareizi. Nelietojiet zāgi, ja asmens aizsargs nevirzās brīvi un nekavējoties neaizveras. Nekad neiespīlējiet un nepiesieniet asmens aizsargu atvērta stāvoklī.

5. Turiet rokas drošā attālumā no zāģa asmens ceļa. Neskarīeties pie asmens, kas griežas pēc inerces. Tas vēl joprojām var izraisīt smagu ievainojumu.
6. Lai samazinātu ievainojumu risku, pēc katras šķērseniskās zāģēšanas reizes atvelciet slīdrāmi atpakaļ līdz galam.
7. Pirms darbarīka nešanas vienmēr nostipriniet visas kustīgās daļas.
8. Sprūdtapa, kas griežējgalvu fiksē leļup, ir paredzēta tikai pārnēsāšanai un uzglabāšanai, nevis zāģēšanai.
9. Pirms darba veikšanas rūpīgi pārbaudiet, vai asmenim nav plaisu vai bojājumu. Ieplaisājušu vai bojātu asmeni nekavējoties nomainiet. Ja uz asmeņiem pielipuši sveķi un koka darva, zāģa darbība kļūst lēnāka un atsitienu risks palielinās. Raugieties, lai asmens būtu tīrs, vispirms to noņemot nost no darbarīka, tad notīrot ar sveķu un darvas tīrītāju, karstu ūdeni vai petroleju. Asmens tīrīšanai nekādā gadījumā neizmantojiet benzīnu.
10. Veicot slīdes zāģēšanu, var rasties ATSI TIENS. ATSI TIENS rodas, ja, veicot griezumus, asmens iecerētas apstrādājamajā materiālā un zāģa asmens tiek strauji pagriezts pret operatoru. Zāģis var kļūt nevadāms un radīt smagus ievainojumus. Ja, veicot griezumus, asmens sāk iekerties, nekavējoties pārtrauciet zāģēšanu un atlaidiet slēdzi.
11. Izmantojiet tikai šim darbarīkam paredzētus atlokus.
12. Uzmanieties, lai nesabojātu asi, atlokus (jo īpaši uzstādīšanas virsmu) vai skrūvi. Ja šīs daļas ir bojātas, asmens var salūzt.
13. Pārlicinieties, vai pagriežamā pamatne ir pareizi nostiprināta un darba laikā nekustēsies. Lai piestiprinātu zāģi uz stabilas darba pamatnes vai sola, izmantojiet caurumus zāģa pamatnē. NEKAD neizmantojiet darbarīku, ja operatoram nav ērta darba pozīcija.
14. Pirms slēdža ieslēgšanas pārlicinieties, vai vārpstas bloķētājs ir atlaists.
15. Pārlicinieties, vai zemākajā stāvoklī asmens nesaskaras ar pagriežamo pamatni.
16. Rokturi turiet stingri. Nemiet vērā, ka zāģis, sākot darbu un apstājoties, nedaudz pavirzās augšup vai leļup.
17. Pirms slēdža ieslēgšanas pārlicinieties, ka asmens nepieskaras apstrādājamajam materiālam.
18. Pirms darbarīka lietošanas materiāla apstrādei, nedaudz padarbiniet to bez slodzes. Pievērsiet uzmanību vibrācijai vai svārstībām, jo tas var liecināt par nepareizu uzstādīšanu vai slikti līdzsvarotu asmeni.
19. Nekavējoties pārtrauciet darbu, ja ievērojat novirzes.
20. Nebloķējiet mēlīti ieslēgtā stāvoklī „ON”.
21. Vienmēr izmantojiet piederumus, kas ieteikti šajā rokasgrāmatā. Izmantojot nepiemērotus piederumus, piemēram, abrazīvo ripu, var savainoties.
22. Daži materiāli satur ķīmiskas vielas, kas var būt toksiskas. Izvairieties no putekļu ieelpošanas un no nokļūšanas uz ādas. Ievērojiet materiāla piegādātāja drošības datus.

Papildu drošības noteikumi lāzera izmantošanai

1. **LĀZERA RADIĀCIJA. NESKATĪTIES UZ LĀZERA STARU VAI NEAPLŪKOJIET UZ AR OPTISKU INSTRUMENTU PALĪDŽĪBU. 2M KLASES LĀZERA IZSTRĀDĀJUMS.**

SAGLABĀJIET ŠOS NORĀDĪJUMUS.

▲BRĪDINĀJUMS: NEPIEĻAUJIET to, ka labu iemaņu vai izstrādājuma labas pārziņāšanas (darbarīku atkārtoti ekspluatējot) rezultātā vairs stingri neievērojāt šī izstrādājuma drošības noteikumus. NEPAREIZI LIETOJOT darbarīku vai neievērojot šajā instrukcijā rokasgrāmatā minētos drošības noteikumus, var tikt gūtas smagas traumas.

Svarīgi drošības norādījumi par akumulatora kasetni

1. Pirms akumulatora lietošanas izlasiet visus norādījumus un brīdinājumus, kuri attiecas uz (1) akumulatora lādētāju, (2) akumulatoru un (3) ierīci, kurā tiek izmantots akumulators.
2. Neizjauciet akumulatoru.
3. Ja akumulatora darbības laiks kļūva ievērojami īsāks, nekavējoties pārtrauciet to izmantot. Citādi, tas var izraisīt pārkaršējumu, uzliesmojumu vai pat sprādzienu.
4. Ja elektrolīts nonāk acīs, izskalojiet tās ar tīru ūdens un nekavējoties griezieties pie ārsta. Tas var izraisīt redzes zaudēšanu.
5. Neradiet īssavienojumu akumulatora kasetnē:
 - (1) Nepieskarīeties spailēm ar elektrību vadošiem materiāliem.
 - (2) Neuzglabājiet akumulatoru kasetni kopā ar citiem metāla priekšmetiem, tādiem kā naglas, monētas u. c.
 - (3) Nepakļaujiet akumulatora kasetni ūdens vai lietus iedarbībai.
 Akumulatora īssavienojums var radīt spēcīgu strāvas plūsmu, pārkaršanu, uzliesmojumu un pat sabojāt akumulatoru.
6. Neglabājiet darbarīku un akumulatora kasetni vietās, kur temperatūra var sasniegt vai pārsniegt 50 °C (122 °F).
7. Nededziniet akumulatora kasetni, pat ja tā ir stipri bojāta vai pilnībā nolietota. Akumulatora kasetne uguni var eksplodēt.
8. Uzmanieties, lai neļautu akumulatoram nokrist un nepakļautu to sītienam.
9. Neizmantojiet bojātu akumulatoru.
10. Uz izmantotajiem litija jonu akumulatoriem attiecas likumdošanas prasības par bīstamiem izstrādājumiem. Komerציālā transportēšanā, ko veic, piemēram, trešās puses, transporta uzņēmumi, jāievēro uz iesaiņojuma un marķējuma norādītās īpašās prasības.

Lai izstrādājumu sagatavotu nosūtīšanai, jāsazinās ar bīstamo materiālu speciālistu. Ievērojiet arī citus attiecināmos valsts normatīvus.

Vajējus kontaktus nosedziet ar līmlenti vai citādi pārklājiet, bet akumulatoru iesaiņojiet tā, lai sainītas nevarētu izkustēties.

11. Ievērojiet vietējos noteikumus par akumulatora likvidēšanu.
12. Izmantojiet šos akumulatorus tikai ar izstrādājumiem, kurus norādījis Makita. Ievietojot šos akumulatorus nesaderīgos izstrādājumos, var rasties ugunsgrēks, pārmērīgs karstums, tie var uzsprāgt vai no tiem var iztecēt elektrolīts.

SAGLABĀJIET ŠOS NORĀDĪJUMUS.

⚠UZMANĪBU: Lietojiet tikai oriģinālos Makita akumulatorus. Ja lietojat neoriģinālus Makita akumulatorus vai pārveidotus akumulatorus, tie var uzsprāgt un izraisīt aizdegšanos, traumas un materiālos zaudējumus. Tikš anulēta arī Makita darbarīka un lādētāja garantija.

Ieteikumi akumulatora kalpošanas laika pagarināšanai

1. Uzlādējiet akumulatora kasetni, pirms tā ir pilnībā izlādējusies. Vienmēr, kad ievērojat, ka darbarīka darba jauda zudusi, apturiet darbarīku un uzlādējiet akumulatora kasetni.
2. Nekad neuzlādējiet pilnībā uzlādētu akumulatora kasetni. Pārmērīga uzlāde saīsina akumulatora kalpošanas laiku.
3. Uzlādējiet akumulatora kasetni istabas temperatūrā 10 °C - 40 °C. Karstai akumulatora kasetnei pirms uzlādes ļaujiet atdzist.
4. Uzlādējiet litija jonu akumulatora kasetni, ja to ilgstoši nelietosit (vairāk nekā sešus mēnešus).

Svarīgi drošības norādījumi par bezvadu ierīci

1. Bezvadu ierīci nedrīkst ne pārveidot, ne izjaukt.
2. Bezvadu ierīci glabājiet maziem bērniem nepieejamā vietā. Ja kāds cilvēks nejauši norij kādu no detaļām, nekavējoties jādodas pie ārsta.
3. Bezvadu ierīci lietojiet tikai kopā ar Makita darbarīkiem.
4. Raugiet, lai bezvadu ierīce neatrastos lietū vai mitros apstākļos.
5. Bezvadu ierīci nelietojiet vietās, kur temperatūra pārsniedz 50°C.
6. Bezvadu ierīci nelietojiet vietās, kur tuvumā atrodas medicīnas ierīces, piemēram, sirdsdrošības stimulatori.

7. **Bezvadu ierīci nelietojiet vietās, kur tuvumā atrodas automātiskas ierīces.** Ja lietojat, tad automātisko ierīču darbība var rasties traucējumi vai kļūdas.
8. **Bezvadu ierīce var radīt elektromagnētiskos laukus (EML), bet tie nav lietotajam kaitīgi.**
9. **Bezvadu ierīce ir precīzs instruments.** Uzmanieties, lai bezvadu ierīce nenokristu un nekur neietriektos.
10. **Bezvadu ierīces izvadām nepieskarieties ar kailām rokām vai metāliskiem materiāliem.**
11. **Kad uzstādāt bezvadu ierīci, vienmēr izņemiet darbarīka akumulatoru.**
12. **Verot vajā atveres pārsegu, izvairieties no vietas, kur atverē var iekļūt putekļi un ūdens.** Atveres ieeju vienmēr turiet tīru.
13. **Bezvadu ierīci vienmēr ievietojiet pareizajā virzienā.**
14. **Bezvadu ierīces bezvadu sistēmas aktivizēšanas pogu nespiediet pārāk stipri un/vai nespiediet pogu ar priekšmetu, kam ir asas malas.**
15. **Lietojot ierīci, vienmēr aizveriet atveres pārsegu.**
16. **Kamēr darbarīks ir pieslēgts pie strāvas, neatvienojiet bezvadu ierīci no atveres.** Ja atvienojat, var rasties traucējumi bezvadu ierīces darbībā.
17. **No bezvadu ierīces nenoplēšiet uzlīmi.**
18. **Uz bezvadu ierīces nelīmējiet nekādas uzlīmes.**
19. **Neatstājiet bezvadu ierīci vietā, kur var veidoties statiskā elektrība vai elektriskais troksnis.**
20. **Bezvadu ierīci neatstājiet vietās, kur varētu būt liels karstums, piemēram, automobilī, kas atstāts saulē.**
21. **Bezvadu ierīci neatstājiet putekļainā vai ar pulveri nokaisītā vietā vai vietā, kur var rasties kodīga gāze.**
22. **Pēkšņas temperatūras izmaiņas var radīt mitrumu uz ierīces.** Bezvadu ierīci lietojiet tikai tad, kad mitrums pilnībā izžuviss.
23. **Kad tīrāt bezvadu ierīci, uzmanīgi slaukiet to ar sausu, mīkstu drānu.** Nelietojiet benzīnu, atšķaidītāju, vadītspējīgas smērvielas vai līdzīgas vielas.
24. **Kad bezvadu ierīci noliekat glabāšanai, ielieciet to komplekta ietvarā vai nestatiskā konteinerā.**
25. **Darbarīka atverē ievietojiet tikai Makita bezvadu ierīci.**
26. **Neizmantojiet darbarīku, ja tā atveres pārsegs ir bojāts.** Ūdens, putekļu un netīrumu iekļūšana atverē var radīt darbības traucējumus.
27. **Bez nepieciešamības nevelciet un/vai negroziet atveres pārsegu.** Ja pārsegs atdalās no darbarīka, piestipriniet to.
28. **Ja atveres pārsegs ir pazaudēts vai bojāts, nomainiet to.**

SAGLABĀJIET ŠOS NORĀDĪJUMUS.

DETAĻU APRAKSTS

► Att.2

| | | | | | | | |
|-----|--|-----|---------------------------------|-----|-------------------------------------|-----|---|
| 1. | Slīdbalsts | 2. | Sprūdtapa (roktura bīdīšanai) | 3. | Vertikālās skrūvspīles | 4. | Atlaišanas poga (kreisās puses slīpleņķim) |
| 5. | Turētājs | 6. | Pagriežamā pamatne | 7. | Rādītājs (zāģēšanas leņķim) | 8. | Zāģēšanas leņķa skala |
| 9. | Iezāģēšanas plātne | 10. | Asmens korpuss | 11. | Regulēšanas skrūve (lāzera līnijai) | 12. | Diapazona regulēšanas skrūve (lāzera līnijai) |
| 13. | Asmens aizsargs | 14. | Kloķis (slīpleņķim) | 15. | Sešstūru uzgriežņatslēga | 16. | Regulēšanas skrūve (zemākai robežatīmei) |
| 17. | Regulēšanas bultskrūve (maksimālai zāģēšanas jaudai) | 18. | Aiztura kloķis | 19. | Akumulatora kasetne | 20. | Bloķēšanas svira (pagriežamai pamatnei) |
| 21. | Atbloķēšanas svira (pagriežamai pamatnei) | 22. | Rokturis (pagriežamai pamatnei) | - | - | - | - |

► Att.3

| | | | | | | | |
|-----|---|-----|--|-----|------------------------------|-----|--|
| 1. | Slēdža mēlīte | 2. | Bloķēšanas poga | 3. | Piekaramās slēdzenes atvere | 4. | Pārsegs (bezvadu ierīcei) (tikai modelim DLS111) |
| 5. | Slēdzis (lāzera līnijai) (Paredzēts tikai DLS111, DLS112) | 6. | Akumulatora indikators | 7. | Režīma indikators | 8. | Pārbaudes poga |
| 9. | Bezvadu sistēmas aktivizēšanas poga | 10. | Bezvadu sistēmas aktivizēšanas lampiņa | 11. | Šjūtene (putekļu nosūkšanai) | 12. | Sprūdtapa (atbalsta pacelšanai) |
| 13. | Vadotnes ierobežotājs (apakšējais ierobežotājs) | 14. | Vadotnes ierobežotājs (augšējais ierobežotājs) | 15. | Putekļu maiss | 16. | 0° regulēšanas bultskrūve (slīpleņķim) |
| 17. | Slīpleņķa skala | 18. | Atbloķēšanas svira (48° slīpleņķim) | 19. | Slēgsvira (slīpleņķim) | 20. | Rādītājs (slīpleņķim) |
| 21. | 45° regulēšanas bultskrūve (slīpleņķim) | - | - | - | - | - | - |

UZSTĀDĪŠANA

Roktura uzstādīšana

Ieskrūvējiet roktura vītņvārpstu pagriežamajā pamatnē.

► **Att.4:** 1. Rokturis 2. Pagriežamā pamatne

Putekļu savācēja šjūtenes uzstādīšana

Pievienojiet darbarīkam putekļu savācēja šjūteni, kā parādīts attēlā.

Pārliecinieties, ka lokveida savienojums un uzmvāda pareizi pieguļ darbarīka pievienošanas vietām.

► **Att.5:** 1. Putekļu savācēja šjūtene 2. Lokveida savienojums 3. Uzmvāda 4. Pievienošanas vieta

Galda uzstādīšana

Darbarīku piegādājot, rokturis ar aiztura tapu ir bloķēts nolaistā stāvoklī. Lēni nolaizot rokturi, pavelciet aiztura tapu un pagrieziet to pa 90°.

► **Att.6:** 1. Bloķēts stāvoklis 2. Atbloķēts stāvoklis 3. Aiztura tapa

Šis darbarīks jāpieskrūvē ar četrām skrūvēm, izmantojot tām paredzētās atveres darbarīka pamatnē, uz līmeniskas un stabilas virsmas. Tādējādi tas nenokrītīs un neradīs traumu.

► **Att.7:** 1. Skrūve

⚠ BRĪDINĀJUMS: Nodrošiniet, lai darbarīks uz atbalsta virsmas nekustas. Leņķzāģim izkustoties uz atbalsta virsmas zāģēšanas laikā, leņķzāģis var kļūt nevadāms un radīt smagus ievainojumus.

FUNKCIJU APRAKSTS

▲BRĪDINĀJUMS: Vienmēr pirms darbarīka regulēšanas vai funkciju pārbaudes pārbaudiet, vai instruments ir izslēgts un akumulatora kasetne ir izņemta. Ja darbarīku neizslēdz un neizņem akumulatora kasetni, tam nejauši ieslēdzoties, var tikt izraisītas smagas traumas.

Akumulatora kasetnes uzstādīšana un izņemšana

▲UZMANĪBU: Vienmēr pirms akumulatora kasetnes uzstādīšanas vai noņemšanas izslēdziet darbarīku.

▲UZMANĪBU: Uzstādot vai izņemot akumulatora kasetni, darbarīku un akumulatora kasetni turiet cieši. Ja darbarīku un akumulatora kasetni netur cieši, tie var izkrist no rokām un radīt bojājumus darbarīkam un akumulatora kasetnei, kā arī izraisīt ievainojumus.

- **Att.8:** 1. Sarkanās krāsas indikators 2. Poga 3. Akumulatora kasetne

Lai izņemtu akumulatora kasetni, izvelciet to no darbarīka, pārbīdot kasetnes priekšpusē esošo pogu.

Lai uzstādītu akumulatora kasetni, salāgojiet mēlīti uz akumulatora kasetnes ar rievu ietvarā un iebīdīet to vietā. Ievietojiet to līdz galam, līdz tā ar klikšķi nofiksējas. Ja pogas augšējā daļā redzams sarkanās krāsas indikators, tas nozīmē, ka tā nav pilnīgi fiksēta.

▲UZMANĪBU: Vienmēr ievietojiet akumulatora kasetni tā, lai sarkanais indikators nebūtu redzams. Pretējā gadījumā tā var nejauši izkrist no darbarīka un izraisīt jums vai apkārtējiem traumas.

▲UZMANĪBU: Neievietojiet akumulatora kasetni ar spēku. Ja kasetne neslīd ietvarā viegli, tā nav pareizi ielikta.

PIEZĪME: Darbarīks nedarbojas ar tikai vienu akumulatora kasetni.

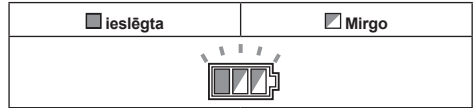
Darbarīka/akumulatora aizsardzības sistēma

Darbarīkam ir darbarīka/akumulatora aizsardzības sistēma. Šī sistēma automātiski izslēdz strāvas padevi motoram, lai pagarinātu darbarīka un akumulatora darbmūžu. Lietošanas laikā darbarīks automātiski pārstās darboties, ja darbarīku vai akumulatoru pakļaus kādam no šādiem apstākļiem.

Aizsardzība pret pārslodzi

Ja darbarīku ekspluatācijas laikā lieto tādā veidā, ka tas saista pārmērīgu strāvu, darbarīks automātiski pārstāj darboties bez jebkādam norādēm. Šādā gadījumā izslēdziet darbarīku un pārtrauciet darbību, kas izraisa darbarīka pārslodzi. Tad ieslēdziet darbarīku, lai atsāktu darbu.

Aizsardzība pret pārkaršanu










Kad darbarīks ir pārkaršis, tas automātiski pārstāj darboties, un apmēram 60 sekundes mirgo akumulatora indikators. Šādā gadījumā ļaujiet darbarīkam atdzist, pirms atkārtotas darbarīka ieslēgšanas.

Aizsardzība pret akumulatora pārmērīgu izlādi

Kad akumulatora jauda ir zema, darbarīks automātiski pārstāj darboties. Ja darbarīks nedarbojas, pat ieslēdzot slēdžus, no darbarīka izņemiet akumulatoru un veiciet akumulatoram uzlādi.

Atlikušās akumulatora jaudas indikators

► **Att.9:** 1. Akumulatora indikators 2. Pārbaudes poga
Nospiediet pārbaudes pogu, lai pārbaudītu akumulatora atlikušo jaudu. Akumulatora indikatori atbilst katram akumulatoram.

| Akumulatora indikatora stāvoklis | | | Atlikušā akumulatora jauda |
|--|--|---|----------------------------|
|  Ieslēgts |  Izslēgts |  Mirgo | |
|  | | | No 50% līdz 100% |
|  | | | No 20% līdz 50% |
|  | | | No 0% līdz 20% |
|  | | | Akumulatora uzlāde |

Atlikušās akumulatora jaudas indikators

Tikai akumulatora kasetnēm ar indikatoru

► **Att.10:** 1. Indikatora lampas 2. Pārbaudes poga

Nospiediet akumulatora kasetnes pārbaudes pogu, lai pārbaudītu akumulatora atlikušo uzlādes līmeni. Indikatori iedegsies uz dažām sekundēm.

| Indikatora lampas | | | Atlikusi jauda |
|-------------------|----------|-------|------------------------------|
| lededzies | Izslēgts | Mirgo | |
| | | | No 75% līdz 100% |
| | | | No 50% līdz 75% |
| | | | No 25% līdz 50% |
| | | | No 0% līdz 25% |
| | | | Azūlādējiet akumulatoru. |
| | | | Iespējama akumulatora kļūme. |
| | | | |

PIEZĪME: Reālā jauda var nedaudz atšķirties no norādītās atkarībā no lietošanas apstākļiem un apkārtējās temperatūras.

Automātiskā ātruma maiņas funkcija

► **Att.11:** 1. Režīma indikators

| Režīma indikatora stāvoklis | | Darbības režīms |
|-----------------------------|----------|------------------------------|
| Ieslēgts | Izslēgts | |
| | | Liela darbības ātruma režīms |
| | | Liela griezes momenta režīms |

Šim darbarīkam ir „liela ātruma režīms” un „liela griezes momenta režīms”. Tas automātiski maina ekspluatācijas režīmu atkarībā no darba slodzes. Kad ekspluatācijas laikā izgaismojas režīma indikators, darbarīkam ir ieslēgts liela griezes momenta režīms.

Asmens aizsargs

► **Att.12:** 1. Asmens aizsargs

Nolaižot zemāk rokturi, asmens aizsargs pacelsies automātiski. Aizsargs ir nospirogots ar atsperi tā, ka tas atgriežas sākuma stāvoklī, kad zāģēšana ir pabeigta un rokturis ir pacelts.

BRĪDINĀJUMS: Nekad neizjauciet un nenovietojiet asmens aizsargu vai atsperi, kas piestiprināta aizsargam. Nenosegts asmens pēc aizsarga noņemšanas var izraisīt nopietnus ievainojumus ekspluatācijas laikā.

Savas drošības labad vienmēr raugieties, lai asmens aizsargs būtu labā stāvoklī. Jebkura asmens aizsarga nepareiza darbība jālabo nekavējoties. Pārbaudiet, vai aizsarga atsperes nospirogojuma darbība ir pareiza.

BRĪDINĀJUMS: Nekad neizmantojiet darbarīku, ja asmens aizsargs vai atsperi ir bojāti, darbojas nepareizi vai ir noņemti. Izmantojot darbarīku ar bojātu, nepareizi darbojošos vai noņemtu atsperi, var izraisīt nopietnus ievainojumus.

Ja caurspīdīgais asmens aizsargs kļūst netīrs vai pielipušo zāģskaidu dēļ asmens un/vai apstrādājamais materiāls ir ar grūtībām saskatāms, izņemiet akumulatorus un ar mitru lupatu rūpīgi notīriet aizsargu. Tīrot plastmasas aizsargu, neizmantojiet šķīdinātājus vai tīrītājus uz naftas produktu bāzes, jo tas var bojāt aizsargu.

Ja asmens aizsargs ir īpaši netīrs un redzamība caur to ir pasliktināta, izņemiet akumulatorus un ar komplektā esošo uzgriežņatslēgu izskrūvējiet sešstūrgalvas bultskrūvi, ar ko piestiprināts centrālais aizsargs. Izskrūvējiet sešstūrgalvas bultskrūvi, griežot to pretēji pulksteņrādītāju kustības virzienam, paceliet asmens aizsargu un centrālo aizsargu. Kad asmens aizsargs ir šādi novietots, tīrīšanu iespējams veikt labāk un efektīvāk. Kad tīrīšana ir pabeigta, rīkojieties pretēji iepriekš aprakstītajai procedūrai un ieskrūvējiet bultskrūvi. Nenoņemiet atsperi, ar ko piestiprināts asmens aizsargs. Ja aizsargs laika gaitā vai ultravioletā starojuma iedarbībā zaudē krāsu, sazinieties ar „Makita” apkopes centru, lai iegādātos jaunu aizsargu. NEIZJAUCIET UN NENOŅEMIET AIZSARGU.

► **Att.13:** 1. Centrālais apvalks 2. Sešstūru uzgriežņatslēga 3. Asmens aizsargs

Iezāģēšanas plātnes

Šā darbarīka pagriežamajā pamatnē ir iezāģēšanas plātnes, lai zāģējuma beigās nesabojātu materiālu. Iezāģēšanas plātnes rūpnīcā ir noregulētas tā, lai zāģa asmens tām nepieskartos. Pirms lietošanas iezāģēšanas plātnes noregulējiet tālāk minētajā veidā:

► **Att.14:** 1. Iezāģēšanas plātne

► **Att.15:** 1. Kreisās puses slīpenča zāģēšana
2. Taisna zāģēšana 3. Labās puses slīpenča zāģēšana 4. Zāģa asmens 5. Asmens zobs 6. Iezāģēšanas plātne

Vispirms izņemiet akumulatorus. Izskrūvējiet visas skrūves (pa 2 kreisajā un labajā pusē), kas fiksē iezāģēšanas plātnes, līdz iezāģēšanas plātnes vēl var viegli pabīdīt ar roku. Nolaidiet rokturi lejup līdz galam, pavelciet un pagrieziet aiztura tapu, lai bloķētu rokturi zemākajā stāvoklī. Atbrīvojiet aiztura tapu uz slīdbalsta un virzienā pret sevi pavelciet atbalstu līdz galam. Noregulējiet iezāģēšanas plātnes tā, lai tās tikko saskartos ar asmens zobu malām. Pievelciet priekšējās skrūves (pievelciet tās cieši). Bīdīt atbalstu vadotnes ierobežotajā virzienā līdz galam un noregulējiet iezāģēšanas plātnes tā, lai tās tikko saskartos ar asmens zobu malām. Pievelciet aizmugures skrūves (neskrūvējiet tās cieši).

Pēc iezāģēšanas plātņu noregulēšanas atļaidiet aiztura tapu un paceliet rokturi. Pēc tam pievelciet visas skrūves līdz galam.

IEVĒRĪBAI: Pēc slīpuma leņķa iestatīšanas, pārbaudiet, vai iezāģēšanas plātnes ir pareizi noregulētas. Iezāģēšanas plātņu pareiza noregulēšana palīdz nodrošināt pareizu apstrādājamā materiāla atbalstu, samazinot apstrādājamā materiāla norāvumu.

Maksimālās zāģēšanas jaudas saglabāšana

Šis darbarīks ir rūpnīcā noregulēts tā, lai nodrošinātu maksimālo zāģēšanas jaudu 260 mm zāģa asmenim.

Uzstādot jaunu asmeni, vienmēr pārbaudiet tā zemāko robežzāģēšanas stāvokli un, ja nepieciešams, noregulējiet to tālāk norādītajā veidā:

Vispirms izņemiet akumulatorus. Pagrieziet aizmura sviru bloķētā stāvoklī.

► **Att.16:** 1. Aizmura svira

Bīdīet pārnēsājamo rokturi vadotnes ierobežotāja virzienā līdz galam un pavisam nolaidiet rokturi lejup. Noregulējiet asmens pozīciju, pagriežot regulēšanas buļskrūvi ar sešstūru uzgriežņatslēgu. Asmens ārējai malai nedaudz jāsniedzas aiz pagriežamās pamatnes augšējās virsmas, kā arī jāsniedzas līdz vietai, kur vadotnes ierobežotāja priekšpusē pieskaras pagriežamās pamatnes augšējai virsmai.

► **Att.17:** 1. Regulēšanas buļskrūve

► **Att.18:** 1. Pagriežamās pamatnes augšējā virsma 2. Asmens perifērija 3. Vadotnes ierobežotājs

Kad akumulatori ir izņemti, ar roku pagrieziet asmeni līdz galam lejup, turot rokturi, lai pārliecinātos par to, ka asmens nevienā vietā nesaskaras ar apakšējo pamatni. Ja nepieciešams, nedaudz pārregulējiet.

Pēc noregulēšanas vienmēr novietojiet aizmura sviru tāš sākotnējā stāvoklī.

▲BRĪDINĀJUMS: Pēc jauna asmens uzstādīšanas, kad akumulatori ir izņemti, vienmēr pārbaudiet, vai asmens nesaskaras ne ar vienu apakšējās pamatnes daļu, kad rokturis ir pilnībā nolaists. Ja asmens pieskaras pamatnei, tas var izraisīt atsitienu un radīt smagus ievainojumus.

Aizmura kļoķis

Asmens apakšējās robežas stāvokli iespējams viegli regulēt ar aizmura kļoķi. Lai to regulētu, pagrieziet aizmura kļoķi bultas virzienā, kā redzams attēlā. Pagrieziet regulēšanas skrūvi tā, lai asmens apstātos vēlamajā stāvoklī, rokturi nolaižot uz leju līdz galam.

► **Att.19:** 1. Aizmura kļoķis 2. Regulēšanas skrūve

Leņķa regulēšana

▲UZMANĪBU: Kad zāģēšanas leņķis ir nomainīts, vienmēr nostipriniet pagriežamo pamatni, cieši pievelciet rokturi.

IEVĒRĪBAI: Griežot pagriežamo pamatni, obligāti paceliet rokturi līdz galam.

► **Att.20:** 1. Bloķēšanas svira 2. Rokturis 3. Atbloķēšanas svira 4. Rādītājs

Grieziet kļoķi pretēji pulksteņrādītāju kustības virzienam, lai atbloķētu pagriežamo pamatni. Grieziet kļoķi, vienlaikus turot lejup bloķēšanas sviru, lai pagrieztu pagriežamo pamatni. Pielīdziniet rādītāju vēlamajam leņķim uz skalas, pēc tam pievelciet rokturi.

PIEZĪME: Nospiežot atbloķēšanas sviru, pagriežamo pamatni varat pagriezt, neturot lejup bloķēšanas sviru. Kad vajadzīgā pozīcija sasniegta, pievelciet rokturi.

Šim leņķzāģim ir aizmura fiksēšanas funkcija. Varat ātri iestatīt 0°, 15°, 22,5°, 31,6°, 45°, un 60° labo/kreiso slīpo leņķi. Lai izmantotu šo funkciju, pabīdīet pagriežamo pamatni gandrīz līdz vēlamajam aizmura fiksēšanas leņķim, vienlaikus turot lejup bloķēšanas sviru. Pēc tam atbrīvojiet bloķēšanas sviru un pagrieziet pagriežamo pamatni uz priekšu, līdz pagriežamā pamatne ir bloķēta.

Slīpā leņķa noregulēšana

IEVĒRĪBAI: Pirms slīpleņķa iestatīšanas vienmēr noņemiet apakšējos vadotnes ierobežotājus un vertikālās skrūvspīles.

IEVĒRĪBAI: Mainot slīpleņķus, pārbaudiet, vai iezāģēšanas plātnes ir novietotas pareizi, kā paskaidrots sadaļā „Iezāģēšanas plātnes”.

IEVĒRĪBAI: Sagāzot zāģa asmeni, obligāti paceļiet rokturi līdz galam.

IEVĒRĪBAI: Nepievelciet rokturi pārāk cieši. Tādējādi var izraisīt slīpleņķa fiksēšanas mehānisma atteici.

1. Kļoķi uz slīdbalsta pagrieziet pretēji pulksteņrādītāju kustības virzienam.

► **Att.21:** 1. Kļoķis

2. Pavelciet un pagrieziet slēgsviru līdz pozīcijai, kā parādīts attēlā.

► **Att.22:** 1. Slēgsvira

3. Pielīdziniet rādītāju vēlamajam leņķim un skalas, pagriežot slīdrāmi, pēc tam pievelciet kļoķi.

► **Att.23:** 1. Slīpleņķa skala 2. Rādītājs

Lai sagāztu slīdrāmi pa labi, pēc sviras atlaišanas sagāziet slīdrāmi nedaudz pa labi, vienlaikus spiežot lejup atbloķēšanas pogu.

► **Att.24:** 1. Atbloķēšanas poga

Zāģējot slīpleņķi, kas lielāks par 45°, pagrieziet slīdrāmi, vienlaikus bīdot sviru darbarīka priekšpusē virzienā. Slīpleņķa zāģēšanu var veikt līdz 48° leņķim.

► **Att.25:** 1. Atbloķēšanas svira

Šim leņķzāģim ir aizmura fiksēšanas funkcija. Varat ātri iestatīt 22,5° un 33,9° leņķi gan pa labi, gan pa kreisi. Iestatiet slēgsviru pozīcijā, kā parādīts, un sagāziet slīdrāmi. Lai mainītu leņķi, pavelciet slēgsviru un sagāziet slīdrāmi.

► **Att.26:** 1. Slēgsvira

▲UZMANĪBU: Pēc slīpleņķa nomaiņas vienmēr nostipriniet kļoķi.

Slīdslēdzis

Lai bloķētu slīdrāmja slīdēšanu, spiediet slīdrāmi vadotnes ierobežotāja virzienā, līdz tas apstājas. Pavelciet aizmura tapu un pagrieziet to pa 90°.

► **Att.27:** 1. Atbloķētais stāvoklis 2. Bloķētais stāvoklis 3. Aizmura tapa

Slēdža darbība

▲BRĪDINĀJUMS: Pirms akumulatoru uzstādīšanas darbarīkā vienmēr pārbaudiet, vai slēdža mēlīte darbojas pareizi un pēc atlaišanas atgriežas „OFF” (izslēgts) pozīcijā. Nevelciet slēdža mēlīti ar spēku, neiespiežot atbloķēšanas pogu uz iekšu. Tādējādi var sabojāt slēdzi. Lietojot darbarīku, kura slēdzis nedarbojas pareizi, darbarīks var kļūt nevadāms un radīt nopietnas traumas.

▲BRĪDINĀJUMS: NEKĀDĀ GADĪJUMĀ nelietojiet darbarīku, ja nevar pilnībā nospriest slēdža mēlīti. Darbarīks ar mēlīti, kas nedarbojas pareizi, ir ĻOTI BĪSTAMS un pirms turpmākas izmantošanas ir jāremontē, pretējā gadījumā var rasties smagas traumas.

▲BRĪDINĀJUMS: NEKAD neizjauciet atbloķēšanas pogu, to neapilīmējiet un citādāk nepārveidojiet. Slēdzis ar izjauktu atbloķēšanas pogu var izraisīt neparedzētu darbību un radīt smagas traumas.

▲BRĪDINĀJUMS: NEKAD nelietojiet darbarīku, ja tas ieslēdzas tikai pēc slēdža mēlītes pavilkšanas un nav jānospiež atbloķēšanas poga. Slēdzis, ko nepieciešams labot, var izraisīt neparedzētu darbību un radīt nopietnus ievainojumus. PIRMS turpmākas ekspluatācijas nododiet darbarīku Makita apkopes centrā, lai to atbilstīgi saremontētu.

- **Att.28:** 1. Slēdža mēlīte 2. Bloķēšanas poga 3. Piekaramās slēdzenes atvere

Lai slēdža mēlītes nepavilktu nejauši, darbarīkam ir bloķēšanas poga. Lai iedarbinātu darbarīku, iespiediet uz iekšu bloķēšanas pogu un pavelciet slēdža mēlīti. Lai apturētu darbarīku, atlaidiet slēdža mēlīti. Slēdža mēlītē ir atvērums, kas paredzēts darbarīka bloķēšanai, ievietojot piekaramo slēdzeni.

▲BRĪDINĀJUMS: Neizmantojiet slēdzeni, kuras kājiņas vai troses diametrs ir mazāks par 6,35 mm (1/4"). Mazāka kājiņa vai trosē var nepareizi bloķēt darbarīku izslēgtā stāvoklī, un neparedzēta darbība var radīt smagus ievainojumus.

Elektroniskā funkcija

Nemainīga ātruma vadība

Darbarīkam ir elektroniska ātruma vadība, kas palīdz uzturēt nemainīgu asmens griešanās ātrumu pat slodzes apstākļos. Nemainīgs asmens griešanās ātrums nodrošina gludu zāģējumu.

Laidenas palaides funkcija

Šī funkcija nodrošina darbarīka vienmērīgu iedarbināšanu, ierobežojot iedarbināšanas griezes momentu.

Lāzerstara darbība

Tikai modelim **DLS111, DLS112**

▲UZMANĪBU: Nekādā gadījumā neskatieties lāzera starā. Tiešs lāzera stars var ievainot acis.

Lai ieslēgtu lāzerstaru, nospiediet slēdža augšējo daļu (1). Lai izslēgtu lāzerstaru, nospiediet slēdža apakšējo daļu (0).

- **Att.29:** 1. Lāzera slēdzis

Lāzera līniju iespējams pārvietot gan uz kreiso, gan labo zāģa asmens pusi, pagriežot regulēšanas skrūvi, kā norādīts.

- **Att.30:** 1. Regulēšanas skrūve

1. Atskrūvējiet regulēšanas skrūvi, griežot to pretēji pulksteņrādītāju kustības virzienam.
2. Kad regulēšanas skrūve ir izskrūvēta, virziet to pa labi vai pa kreisi līdz galam.
3. Cieši pievelciet regulēšanas skrūvi stāvoklī, kurā to vairs nevar pavirzīt.

PIEZĪME: Lāzera līnija ir noregulēta rūpnīcā 1 mm robežās no asmens malas virsmas (zāģēšanas stāvoklī).

PIEZĪME: Ja tiešā saules gaismā lāzera līnija ir blāva un slikti redzama, pārvietojiet darba zonu uz vietu, kurā ir mazāk tiešas saules gaismas.

Lāzera līnijas savietošana

Apstrādājamā materiāla zāģēšanas līnijas savietošana ar lāzera līniju.

- **Att.31**

- A) Ja vēlaties iegūt pareizu izmēru apstrādājamā materiāla kreisajā pusē, pavirziet lāzera līniju asmens kreisajā pusē.
- B) Ja vēlaties iegūt pareizu izmēru apstrādājamā materiāla labajā pusē, pavirziet lāzera līniju asmens labajā pusē.

PIEZĪME: Kombinētas zāģēšanas gadījumā (slīpenķis 45°, un slīpais leņķis pa labi 45°), savietojot zāģēšanas līniju ar lāzera līniju vadotnes ierobežotāja pusē, pret šo ierobežotāju novietojiet koka finierējumu.

MONTĀŽA

▲BRĪDINĀJUMS: Vienmēr pirms darbarīka labošanas pārbaudiet, vai instruments ir izslēgts un akumulatora kasetne ir izņemta. Ja darbarīku neizslēdz un akumulatora kasetni neizņem, var tikt izraisītas smagas traumas.

Sešstūru uzgriežņu atslēgas uzglabāšana

Kad sešstūrveida uzgriežņu atslēga netiek lietota, glabājiet to, kā parādīts, lai atslēgu nepazaudētu.

- **Att.32:** 1. Sešstūru uzgriežņu atslēga

Zāģa asmens noņemšana un uzstādīšana

▲BRĪDINĀJUMS: Vienmēr pirms asmens uzstādīšanas vai noņemšanas pārbaudiet, vai instruments ir izslēgts un akumulatora kasetne ir izņemta. Darbarīka nejauša iedarbināšana var izraisīt smagus ievainojumus.

▲BRĪDINĀJUMS: Asmeni uzstādiet vai noņemiet tikai ar komplektā pievienoto „Makita” uzgriežņatslēgu. Ja neizmanto uzgriežņatslēgu, bulvskrūvi ar sešstūra iedobi var pieskrūvēt pārāk cieši vai nepietiekami un var smagus nopietnus ievainojumus.

Noņemot un uzliekot asmeni, vienmēr bloķējiet slīdrāmi paceltā stāvoklī. Kad slīdrāmis pacelts, pavelciet aizturu tapu un pagrieziet to pa 90°.

► **Att.33:** 1. Atbloķēts stāvoklis 2. Bloķēts stāvoklis 3. Aiztura tapa

Asmens noņemšana

Ar sešstūru uzgriežņatslēgu izskrūvējiet sešstūrgalvas bulvskrūvi, ar ko piestiprināts centrālais apvalks. Paceliet asmens aizsargu un centrālo apvalku.

► **Att.34:** 1. Centrālais apvalks 2. Sešstūru uzgriežņatslēga 3. Asmens aizsargs

Nospiediet vārpstas bloķētāju, lai nobloķētu vārpstu, un ar sešstūru uzgriežņatslēgu izskrūvējiet bulvskrūvi ar sešstūrgalvas iedobi. Pēc tam izņemiet bulvskrūvi ar sešstūrgalvas iedobi, ārējo atloku un asmeni.

► **Att.35:** 1. Vārpstas bloķētājs 2. Sešstūru uzgriežņatslēga 3. Seššķautņu bulvskrūve (ar kreiso vītni) 4. Izskrūvēt 5. Pievilkt

Asmens uzstādīšana

Uzmanīgi uzlieciet asmeni uz vārpstas, pārbaudot, vai bulta uz asmens virsmas ir vērsta tajā pašā virzienā, kur asmens korpusa bulta.

► **Att.36:** 1. Asmens korpusa bulta 2. Asmens bulta

Uzlieciet ārējo atloku un ieskrūvējiet bulvskrūvi ar sešstūrgalvas iedobi. Ar sešstūru uzgriežņatslēgu grieziet bulvskrūvi ar sešstūrgalvas iedobi pretēji pulksteņrādītāja kustības virzienam, vienlaikus spiežot vārpstas bloķētāju.

► **Att.37:** 1. Bulvskrūve ar sešstūrgalvas iedobi 2. Ārējais atloks 3. Zāģa asmens 4. Iekšējais atloks 5. Vārpsta 6. Gredzens

IEVĒRĪBAI: Ja noņemts iekšējais atloks, noteikti uzlieciet to atpakaļ uz vārpstas ar izvīrējumu prom no asmens. Ja atloks ir uzlikts nepareizi, atloks berzēsies pret instrumentu.

Atgrieziet asmens aizsargu un centrālo apvalku to sākotnējā stāvoklī. Pēc tam pulksteņrādītāju kustības virzienā pievelciet sešstūrgalvas bulvskrūvi, lai nostiprinātu centrālo apvalku. Atbloķējiet aizturu tapu, lai atbrīvotu slīdrāmi no paceltā stāvokļa. Nolaidiet rokturi, lai pārliecinātos, vai asmens aizsargs virzās pareizi. Pirms zāģēšanas pārbaudiet, vai vārpstas bloķētājs ir vārpstu atbloķējis.

▲BRĪDINĀJUMS: Pirms asmens uzlikšanas uz vārpstas vienmēr pārbaudiet, vai starp iekšējo un ārējo atloku uz izmantojamā asmens vārpstas cauruma ir uzstādīts pareizais gredzens. Nepareiza vārpstas atveres gredzena dēļ asmens var nebūt piestiprināts pareizi un tas var kustēties, radot spēcīgu vibrāciju, un darbarīks darbības procesā var kļūt nevadāms un radīt smagus ievainojumus.

Putekļsūcēja pievienošana

Ja vēlaties tīru zāģējumu, darbarīka putekļsūcēja uzgālim pievienojiet „Makita” putekļsūcēju, izmantojot priekšējās uznavas 24 (papildpiederums).

► **Att.38:** 1. Priekšējās uznavas 24 2. Šļūtene 3. Putekļsūcējs

Putekļu maiss

Lietojot putekļu maisu, zāģēšanas laikā nerodas putekļi, jo tie pavisam vienkārši tiek savākti. Lai pievienotu putekļu maisu, noņemiet darbarīka putekļu savācēja šļūteni un pievienojiet putekļu maisu.

► **Att.39:** 1. Putekļu savācēja šļūtene 2. Putekļu maiss

Kad putekļu maiss ir piepildīts aptuveni līdz pusei, noņemiet to no darbarīka un izspiediet stiprinājumu. Iztukšojiet putekļu maisa saturu, viegli pa to pasītot, lai atdalītu iekšpusē pielipušās daļiņas, kas turpmāk varētu kavēt putekļu savākšanu.

► **Att.40:** 1. Stiprinājums

Apstrādājamā materiāla nostiprināšana

▲BRĪDINĀJUMS: Ļoti svarīgi ir vienmēr pareizi nostiprināt apstrādājamo materiālu ar pareizajām skrūvspīlēm vai griestu cokola aizturiem. Ja to neizdara, iespējams izraisīt smagus ievainojumus un sabojāt darbarīku un/vai apstrādājamo materiālu.

▲BRĪDINĀJUMS: Pēc zāģēšanas nepaceliet asmeni, kamēr tas nav pavisam apstājies. Paceļot asmeni, kas griežas pēc inerces, var radīt smagus ievainojumus un sabojāt apstrādājamo materiālu.

▲BRĪDINĀJUMS: Zāģējot apstrādājamo materiālu, kas ir garāks par zāģa atbalsta pamatni, materiāls jāatbalsta visā garumā aiz atbalsta pamatnes un tādā pašā augstumā, lai materiāls būtu novietots horizontāli. Pareizs apstrādājamā materiāla atbalsts ļaus novērst asmens iestrēgšanu un iespējamo atsienu, kas var radīt smagus ievainojumus. Lai nostiprinātu materiālu, neizmantojiet tikai vertikālās un/vai horizontālās skrūvspīles. Plāni materiāli mēdz ieliekties. Nostipriniet apstrādājamo materiālu visā tā garumā, lai asmens neiestrēgtu un lai nerastos ATSIENIENS.

► **Att.41:** 1. Atbalsts 2. Pagriežamā pamatne

Vadotnes ierobežotāji

▲BRĪDINĀJUMS: Pirms darbarīka lietošanas pārliecinieties, vai augšējais ierobežotājs ir cieši piestiprināts.

▲BRĪDINĀJUMS: Pirms slīpenča zāģēšanas pārliecinieties, vai neviena darbarīka daļa, jo īpaši asmens, pilnībā nolaizot un paceļot rokturi jebkurā stāvoklī vai virzot atbalstu tā pilnā gājiena diapazonā, nepieskaras augšējam un apakšējam ierobežotājam. Ja darbarīks vai asmens pieskaras ierobežotājam, tas var izraisīt atsitieni vai materiāla negaidītu izkustēšanos un radīt nopietnus ievainojumus.

Izmantojiet augšējos ierobežotājus, lai atbalstītu materiālu, kas ir augstāks par apakšējiem ierobežotājiem. Ievietojiet augšējo ierobežotāju apakšējā ierobežotāja caurumā un pievelciet spīlējuma skrūvi.

- **Att.42:** 1. Augšējais ierobežotājs 2. Apakšējais ierobežotājs 3. Spīlējuma skrūve 4. Regulēšanas skrūve

IEVĒRĪBAI: Apakšējie ierobežotāji rūpnīcā ir piestiprināti pie pamatnes. Nenoņemiet apakšējos ierobežotājus.

IEVĒRĪBAI: Ja pēc spīlējuma skrūves pievilšanas augšējais ierobežotājs joprojām ir vaļīgs, pagrieziet regulēšanas skrūvi, lai aizvērtu spraugu. Regulēšanas skrūve ir iestatīta rūpnīcā. Jums tā nav jāizmanto, ja vien tas nav vajadzīgs.

Ja augšējos ierobežotājus neizmantojat, varat tos glabāt uz turētāja. Izmantojiet augšējā ierobežotāja saspraudi, lai fiksētu to uz turētāja.

- **Att.43:** 1. Turētājs 2. Augšējais ierobežotājs 3. Saspraude

Vertikālās skrūvspīles

▲BRĪDINĀJUMS: Eksploatācijas laikā apstrādājamajam materiālam jābūt ar skrūvspīlēm cieši piestiprinātam pie pagriežamās pamatnes un vadotnes ierobežotāja. Ja apstrādājama materiāls nav pareizi nostiprināts pret ierobežotāju, materiāls zāģēšanas laikā var izkustēties, izraisot iespējamu asmens bojājumu un materiāla izmešanu, kā arī zāģa vadības zudumu, kas savukārt var radīt smagus ievainojumus.

- **Att.44:** 1. Skrūvspīļu svira 2. Skrūvspīļu stienis 3. Spīlējuma skrūve 4. Skrūvspīļu kloķis

Vertikālās skrūvspīles iespējams uzstādīt divos stāvokļos – gan kreisajā, gan labajā pamatnes pusē. Ievietojiet skrūvspīļu stieni pamatnes atverē.

Novietojiet skrūvspīļu kloķi atbilstoši apstrādājamā materiāla biežumam un formai un nostipriniet skrūvspīļu kloķi, pieskrūvējot skrūvi. Ja spīlējuma skrūve pieskaras slīdrāmim, ieskrūvējiet to skrūvspīļu sviras pretējā pusē. Pārliecinieties, vai, nolaizot rokturi lejup līdz galam, darbarīks nepieskaras skrūvspīlēm. Ja kāda darbarīka daļa tām pieskaras, mainiet skrūvspīļu stāvokli.

Spiediet apstrādājamo materiālu līdzeni uz vadotnes ierobežotāja un pagriežamās pamatnes. Novietojiet apstrādājamo materiālu vēlamajā zāģēšanas stāvoklī un cieši to piestipriniet, pievelkot skrūvspīļu rokturi.

PIEZĪME: Lai ātri novietotu apstrādājamo materiālu, pagriežot skrūvspīļu kloķi pa 90° pulksteņrādītāju kustības virzienā, skrūvspīļu kloķi var pārvietot augšup un lejup. Lai apstrādājamo materiālu pēc novietošanas nostiprinātu, pagrieziet skrūvspīļu kloķi pulksteņrādītāju kustības virzienā.

Horizontālās skrūvspīles

Papildu piederumi

▲BRĪDINĀJUMS: Vienmēr grieziet skrūvspīļu uzgriezni pulksteņrādītāju kustības virzienā, līdz apstrādājama materiāls ir pareizi nostiprināts. Ja apstrādājama materiāls nav pareizi nostiprināts, materiāls zāģēšanas laikā var izkustēties, izraisot iespējamu asmens bojājumu un materiāla izmešanu, kā arī zāģa vadības zudumu, kas savukārt var radīt smagus ievainojumus.

▲BRĪDINĀJUMS: Plānu apstrādājamo materiālu, piemēram, grīdlīstes, zāģējot pret ierobežotāju, vienmēr izmantojiet horizontālās skrūvspīles.

Horizontālās skrūvspīles var uzstādīt divos veidos – pamatnes kreisajā vai labajā pusē. Zāģējot 22,5° vai lielākā leņķī, uzstādiet horizontālās skrūvspīles tajā pusē, kas ir pretēji pagriežamās pamatnes pagriešanas virzienam.

- **Att.45:** 1. Skrūvspīļu plāksne 2. Skrūvspīļu uzgrieznis 3. Skrūvspīļu kloķis

Uzsitot skrūvspīļu uzgriezni pretēji pulksteņrādītāju kustības virzienam, skrūvspīles tiek atbrīvotas un strauji pārvietojas iekšā un ārā. Lai satvertu apstrādājamo materiālu, spiediet skrūvspīļu kloķi uz priekšu, līdz skrūvspīļu plāksne pieskaras materiālam, un tad uzsitiet skrūvspīļu uzgriezni pulksteņrādītāju kustības virzienā. Pēc tam, lai nostiprinātu apstrādājamo materiālu, grieziet skrūvspīļu rokturi pulksteņrādītāju kustības virzienā.

PIEZĪME: Apstrādājamā materiāla, ko var nostiprināt ar horizontālajām skrūvspīlēm, maksimālais platumš ir 228 mm.

Turētāji

▲BRĪDINĀJUMS: Vienmēr atbalstiet garu apstrādājamo materiālu tā, lai tas ir vienā līmenī ar pagriežamās pamatnes augšējo virsmu, nodrošinot precīzu griezum un nepieļaujot bīstamu darbarīka kontroles zudumu. Pareizs apstrādājamā materiāla atbalsts ļaus novērst asmens iestrēgšanu un iespējamu atsitieni, kas var radīt smagus ievainojumus.

Garu apstrādājamo materiālu horizontālai turēšanai darbarīka abās pusēs ir uzstādīti turētāji. Izskrūvējiet skrūves un izvelciet turētājus apstrādājamā materiāla turēšanai vajadzīgajā garumā. Pēc tam pievelciet skrūves.

- **Att.46:** 1. Turētājs 2. Skrūve

EKSPLUATĀCIJA

▲BRĪDINĀJUMS: Pirms slīdža ieslēgšanas pārbaudiet, vai asmens nepieskaras apstrādājamajam materiālam u. c. Ja darbarīku ieslēdz, kad asmens pieskaras apstrādājamajam materiālam, var izraisīt atsitieni un radīt smagus ievainojumus.

▲BRĪDINĀJUMS: Pēc zāģēšanas nepaceliet asmeni, kamēr tas nav pilnībā apstājies. Asmens, kas kustas pēc inerces, pacelšana var radīt nopietnus ievainojumus un bojāt apstrādājamo materiālu.

▲BRĪDINĀJUMS: Kamēr asmens griežas, neveiciet regulēšanu, piemēram, negrieziet darbarīka rokturi, kloķi un sviras. Veicot regulēšanu, kamēr asmens griežas, var gūt smagus ievainojumus.

IEVĒRĪBAI: Pirms lietošanas obligāti atbloķējiet aiztura tapu un paceliet rokturi augšup.

IEVĒRĪBAI: Zāģējot nespiediet pārāk daudz uz roktura. Spiežot pārāk stipri, dzinējam var rasties pārslodze un/vai zāģēšanas efektivitāte var mazināties. Spiediet rokturi uz leju tikai tik spēcīgi, cik vajadzīgs, lai zāģētu vienmērīgi, ievērojami nemazinot asmens ātrumu.

IEVĒRĪBAI: Lai zāģētu, uzmanīgi spiediet uz leju rokturi. Ja rokturi spiedīsiet uz leju spēcīgi vai ja spiedīsiet to no sāniem, asmens vibrēs un vairs nevirzīsies pa atzīmēto līniju uz apstrādājamā materiāla (zāģa atzīmi), un zāģis vairs nezāģēs precīzi.

IEVĒRĪBAI: Veicot slīdošu zāģēšanu, uzmanīgi bīdīet slīdrāmi vadotnes ierobežotāja virzienā, nepārtraucot šo darbību. Ja zāģēšanas laikā pārtrauksiet bīdīt slīdrāmi, apstrādājamā materiālā būs redzamas šīs vietas pēdas un zāģis vairs nezāģēs precīzi.

Zāģēšana ar spiedienu

▲BRĪDINĀJUMS: Veicot zāģēšanu ar spiedienu, vienmēr bloķējiet slīdrāmja slīdošo kustību. Zāģējot bez bloķēšanas, var izraisīt iespējamu atsitieni, kas var radīt smagus ievainojumus.

Apstrādājamos materiālus 68 mm augstumā un 160 mm platumā iespējams sazāģēt tālāk minētajā veidā.

► **Att.47:** 1. Aiztura tapa

1. Spiediet slīdrāmi pret vadotnes ierobežotāju, līdz tas apstājas, un bloķējiet to ar aiztura tapu.
2. Ar pareizo skrūvspjiņu veidu nostipriniet apstrādājamo materiālu.
3. Ieslēdziet darbarīku, asmenim nesaskaroties ar virsmu, un pirms tā nolaišanas lejup nogaidiet, kamēr asmens darbojas ar pilnu jaudu.
4. Lai zāģētu materiālu, uzmanīgi nolaidiet rokturi līdz zemākajam stāvoklim.
5. Kad zāģēšana pabeigta, izslēdziet darbarīku un nogaidiet, līdz asmens pilnībā apstājies, pirms atgriežat to atpakaļ pilnīgi paceltā stāvoklī.

Slīdoša zāģēšana (spiešana) (zāģējot platus apstrādājamus materiālus)

▲BRĪDINĀJUMS: Vienmēr, kad tiek veikta slīdes zāģēšana, vispirms pavelciet atbalstu pilnībā pret sevi un pilnībā nospiediet rokturi, tad virziet atbalstu pret vadotni. Nesāciet zāģēšanu, ja atbalsts pilnībā nav pavilkts pret sevi. Ja veicat slīdes zāģēšanu, nepavelkot atbalstu pilnībā pret sevi, var rasties neparedzēts atsitieni un izraisīt nopietnus ievainojumus.

▲BRĪDINĀJUMS: Nekad neveiciet slīdes zāģēšanu, velkot atbalstu pret sevi. Ja zāģēšana laikā atbalstu velk pret sevi, var izraisīt neparedzētu atsitieni, kas var radīt nopietnus ievainojumus.

▲BRĪDINĀJUMS: Nekad neveiciet slīdes zāģēšanu, ja rokturis ir bloķēts zemākajā stāvoklī.

► **Att.48:** 1. Aiztura tapa

1. Pretēji pulksteņrādītāju kustības virzienam atbloķējiet aiztura tapu, lai slīdrāmi varētu brīvi virzīt.
2. Ar pareizo skrūvspjiņu veidu nostipriniet apstrādājamo materiālu.
3. Pavelciet atbalstu virzienā pret sevi līdz galam.
4. Ieslēdziet darbarīku, asmenim nesaskaroties ar virsmu, un nogaidiet, kamēr asmens darbojas ar pilnu jaudu.
5. Nospiediet uz leju rokturi un bīdīet atbalstu vadotnes ierobežotāja virzienā un cauri apstrādājamajam materiālam.
6. Kad zāģēšana pabeigta, izslēdziet darbarīku un nogaidiet, līdz asmens pilnībā apstājies, pirms atgriežat to atpakaļ pilnīgi paceltā stāvoklī.

Zāģēšana lenķī

Skatiet iepriekš sadaļu „Lenķa regulēšana”.

Slīpleņķa zāģēšana

▲BRĪDINĀJUMS: Pēc asmens iestatīšanas slīpleņķa zāģēšanai un pirms darbarīka lietošanas nodrošiniet, lai slīdrāmis un asmens brīvi virzās visā paredzētā zāģējuma diapazonā. Slīdrāmja vai asmens gājienu pārtraukšana zāģēšanas laikā var izraisīt atsitieni un radīt smagus ievainojumus.

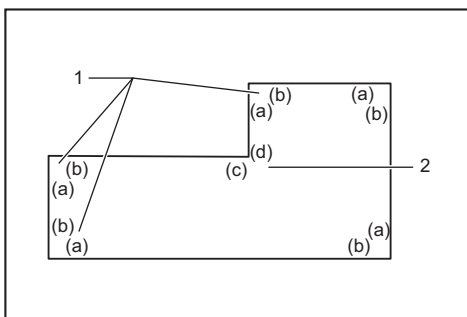
▲BRĪDINĀJUMS: Veicot slīpu zāģēšanu, neturiet rokas asmens ceļā. Asmens lenķis var lietotajam sniegt citu priekšstatu par asmens isto ceļu zāģēšanas laikā, un saskare ar asmeni izraisa smagas traumas.

▲BRĪDINĀJUMS: Asmeni nedrīkst pacelt, pirms tas ir pilnībā apstājies. Slīpās zāģēšanas laikā nozāģētais gabals var atrasties pie asmens. Ja paceļ rotējošu asmeni, nozāģēto gabalu asmens var izmest gaisā, sadrumstalojot materiālu, kas var izraisīt nopietnus ievainojumus.

IEVĒRĪBAI: Spiežot rokturi lejup, spiediet paralēli asmenim. Ja spiedīsiet perpendikulāri pagriežamajai pamatnei vai ja zāģējot mainīsiet spiešanas virzienu, zāģis vairs nezāģēs precīzi.

► **Att.49**

1. Izņemiet apakšējo ierobežotāju tajā pusē, uz kuru vēlaties sagāzt slīdrāmi.
2. Atbloķējiet aiztura tapu.
3. Iestātiel slīpleņķi, izpildot darbības, kas izklāstītas sadaļā „Slīpleņķa iestatīšana”. Pēc tam pievelciet kloķi.
4. Ar skrūvspīlēm nostipriniet apstrādājamo materiālu.
5. Paveļciet atbalstu virzienā pret sevi līdz galam.
6. Ieslēdziet darbarīku, asmenim nesaskaroties ar virsmu, un nogaidiet, kamēr asmens darbojas ar pilnu jaudu.
7. Tad uzmanīgi nolaidiet rokturi līdz zemākajam stāvoklim, spiežot paralēli asmenim, un, lai zāģētu apstrādājamo materiālu, bīdīet atbalstu vadotnes ierobežotāja virzienā.
8. Kad zāģēšana pabeigta, izslēdziet darbarīku un nogaidiet, līdz asmens pilnībā apstāties, pirms atgriezt atpakaļ pilnīgi paceltā stāvoklī.



1. Iekšējais stūris 2. Ārējais stūris

Kombinētā zāģēšana

Kombinētā zāģēšana ir process, kurā slīpais leņķis uz apstrādājamā materiāla tiek veikts vienlaicīgi ar zāģēšanas leņķi. Kombinēto zāģēšanu iespējams veikt tabulā redzamajā leņķī.

| Zāģēšanas leņķis | Slīpais leņķis |
|----------------------------|----------------------------|
| Pa kreisi un pa labi 0–45° | Pa kreisi un pa labi 0–45° |

Zāģējot kombinēti, skatiet skaidrojumu sadaļā „Zāģēšana ar spiedienu”, „Slīdoša zāģēšana (spiešana)”, „Zāģēšana leņķī” un „Slīpleņķa zāģēšana”.

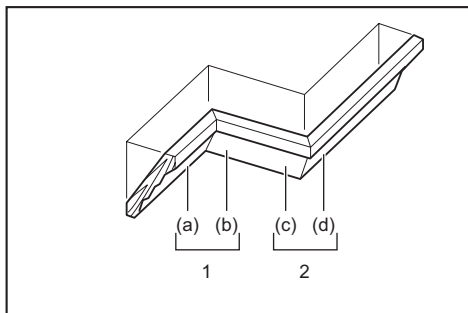
Jostiņu virs dzegas un stūrlīstu zāģēšana

Jostiņas virs dzegas un stūrlīstes var izzāģēt ar kombinēto leņķzāģi, profilus novietojot plakaniski uz pagriežamās pamatnes.

Ir divi standarta jostiņu virs dzegas veidi un viens stūrlīstes veids; 52/38° sienas leņķa jostiņa virs dzegas, 45° sienas leņķa jostiņa virs dzegas un 45° sienas leņķa stūrlīste.

► **Att.50:** 1. 52/38° tipa jostiņa virs dzegas 2. 45° tipa jostiņa virs dzegas 3. 45° tipa stūrlīste

Ir jostiņu virs dzegas un stūrlīstu saduras, kas izgatavotas „iekšējiem” 90° stūriem ((a) un (b) attēlā) un „ārējiem” 90° stūriem ((c) un (d) attēlā).



1. Iekšējais stūris 2. Ārējais stūris

Mērīšana

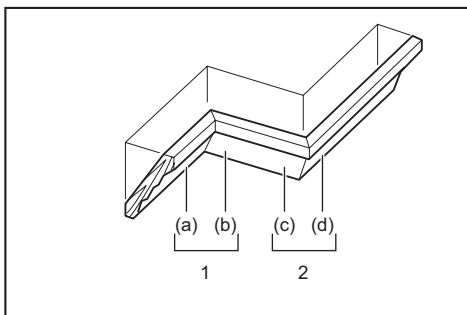
Izmēriet sienas platumu un atbilstoši pielāgojiet tam apstrādājamā materiāla platumu. Vienmēr pārliecinieties, ka apstrādājama materiāla platumu saskaras ar tā paša garuma sienas malu.

► **Att.51:** 1. Apstrādājama materiāls 2. Sienas platumu 3. Apstrādājamā materiāla platumu 4. Sienas saskare ar malu

Vienmēr vairākus gabalus izmantojiet pārbaudei, lai pārbaudītu zāģēšanas leņķus.

Zāģējot jostiņas virs dzegas un stūrlīstes, iestatiet slīpo leņķi un zāģēšanas leņķi, kā norādīts (A) tabulā, un novietojiet profilus uz zāģa pamatnes augšējās virsmas, kā norādīts (B) tabulā.

Veicot kreisās puses slīpo zāģēšanu



1. Iekšējais stūris 2. Ārējais stūris

Tabula (A)

| - | Stūrlīstes stāvoklis attēlā | Slīpais leņķis | | Zāģēšanas leņķis | |
|-----------------|-----------------------------|-----------------|---------------|------------------|-----------------|
| | | 52/38° tips | 45° tips | 52/38° tips | 45° tips |
| Iekšējam stūrim | (a) | Pa kreisi 33,9° | Pa kreisi 30° | Pa labi 31,6° | Pa labi 35,3° |
| | (b) | | | Pa kreisi 31,6° | Pa kreisi 35,3° |
| Ārējam stūrim | (c) | | | Pa labi 31,6° | Pa labi 35,3° |
| | (d) | | | | |

Tabula (B)

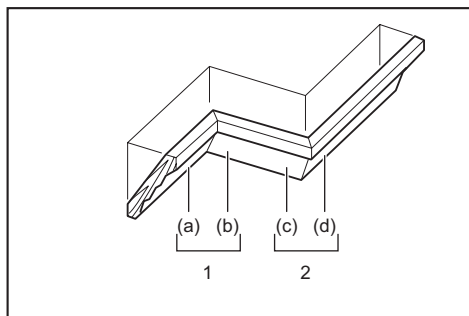
| – | Stūrlīstes stāvoklis attēlā | Stūrlīstes mala pret vadotnes ierobežotāju | Sazāgētais materiāls |
|-----------------|-----------------------------|--|---|
| Iekšējam stūrim | (a) | Griestu saskares malai jāatrodas pret vadotnes ierobežotāju. | Sazāgētais materiāls atradīsies asmens kreisajā pusē. |
| | (b) | Sienas saskares malai jāatrodas pret vadotnes ierobežotāju. | |
| Ārējam stūrim | (c) | Griestu saskares malai jāatrodas pret vadotnes ierobežotāju. | Sazāgētais materiāls atradīsies asmens labajā pusē. |
| | (d) | Griestu saskares malai jāatrodas pret vadotnes ierobežotāju. | |

Piemērs:

zāģējot 52/38° leņķa jostīņu virs dzegas stāvoklim (a) iepriekšējā attēlā, rīkojieties, kā tālāk norādīts.

- Nolieciet un nostipriniet slīpā leņķa iestatījumu uz 33,9° PA KREISI.
- Noregulējiet un nostipriniet zāģēšanas leņķa iestatījumu uz 31,6° PA LABI.
- Novietojiet jostīņu virs dzegas ar tās plato aizmugures (slēpto) virsmu uz pagriežamās pamatnes un ar GRIESTU MALU pret zāģa vadotnes ierobežotāju.
- Izmantotais sazāgētais materiāls pēc zāģēšanas pabeigšanas vienmēr atradīsies KREISAJĀ pusē no zāģa asmens.

Slīpenķa zāģēšana pa labi



1. Iekšējais stūris 2. Ārējais stūris

Tabula (A)

| – | Stūrlīstes stāvoklis attēlā | Slīpais leņķis | | Zāģēšanas leņķis | |
|-----------------|-----------------------------|----------------|-------------|------------------|-----------------|
| | | 52/38° tips | 45° tips | 52/38° tips | 45° tips |
| Iekšējam stūrim | (a) | Pa labi 33,9° | Pa labi 30° | Pa labi 31,6° | Pa labi 35,3° |
| | (b) | | | Pa kreisi 31,6° | Pa kreisi 35,3° |
| Ārējam stūrim | (c) | Pa labi 33,9° | Pa labi 30° | Pa labi 31,6° | Pa labi 35,3° |
| | (d) | | | Pa labi 31,6° | Pa labi 35,3° |

Tabula (B)

| – | Stūrlīstes stāvoklis attēlā | Stūrlīstes mala pret vadotnes ierobežotāju | Sazāgētais materiāls |
|-----------------|-----------------------------|--|--|
| Iekšējam stūrim | (a) | Sienas saskares malai jābūt pret vadotnes ierobežotāju. | Sazāgētais materiāls būs asmens labajā pusē. |
| | (b) | Griestu saskares malai jābūt pret vadotnes ierobežotāju. | |
| Ārējam stūrim | (c) | Sienas saskares malai jābūt pret vadotnes ierobežotāju. | Sazāgētais materiāls būs asmens kreisajā pusē. |
| | (d) | Griestu saskares malai jābūt pret vadotnes ierobežotāju. | |

Piemērs:

zāģējot 52/38° leņķa jostīņu virs dzegas stāvoklim (a) iepriekšējā attēlā, rīkojieties, kā tālāk norādīts.

- Sagāziet un fiksējiet slīpenķa iestatījumu uz 33,9° PA LABI.
- Noregulējiet un nostipriniet zāģēšanas leņķa iestatījumu uz 31,6° PA LABI.
- Novietojiet jostīņu virs dzegas ar tās plato aizmugures (slēpto) virsmu uz pagriežamās pamatnes un ar SIENAS MALU pret zāģa vadotnes ierobežotāju.
- Gatavais materiāls pēc zāģēšanas pabeigšanas vienmēr būs zāģa asmens LABAJĀ pusē.

Griestu cokola aizturis

Papildu piederumi

Griestu cokola aizturi atvieglo griestu cokola zāģēšanu, nesagāžot zāģa asmeni. Uzstādiēt tos uz pagriežamās pamatnes, kā parādīts attēlos.

Labais 45° zāģēšanas leņķis

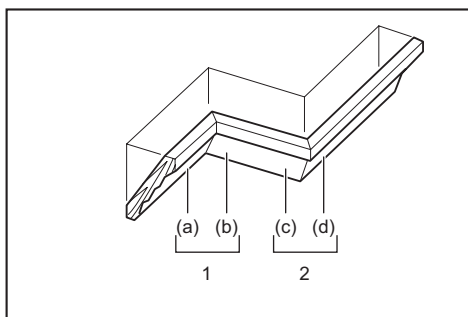
- **Att.52:** 1. Griestu cokola aizturis K 2. Griestu cokola aizturis L 3. Pagriežamā pamatne 4. Vadotnes ierobežotājs

Kreisais 45° zāģēšanas leņķis

- **Att.53:** 1. Griestu cokola aizturis K 2. Griestu cokola aizturis L 3. Pagriežamā pamatne 4. Vadotnes ierobežotājs

Novietojiet jostīņu virs dzegas ar tās SIENAS MALU pret vadotnes ierobežotāju un tās GRIESTU MALU pret jostīņas virs dzegas aizturiem, kā parādīts attēlā. Noregulējiet griestu cokola aizturus atbilstoši griestu cokola izmēram. Pievelciet skrūves, lai nostiprinātu griestu cokola aizturus. Zāģēšanas leņķi skatiet (C) tabulā.

- **Att.54:** 1. Vadotnes ierobežotājs 2. Griestu cokola aizturis



1. lekšējais stūris 2. Ārējais stūris

Tabula (C)

| – | Cokola stāvoklis attēlā | Zāģēšanas leņķis | Gatavais materiāls |
|-----------------|-------------------------|------------------|-------------------------------|
| lekšējam stūrim | (a) | Pa labi 45° | Zāģēšana asmens labajā pusē |
| | (b) | Pa kreisi 45° | Zāģēšana asmens kreisajā pusē |
| Ārējam stūrim | (c) | | Zāģēšana asmens labajā pusē |
| | (d) | Pa labi 45° | Zāģēšana asmens kreisajā pusē |

Alumīnija profilu zāģēšana

- **Att.55:** 1. Skrūvspīles 2. Starplikas bloks
3. Vadotnes ierobežotājs 4. Alumīnija profils
5. Starplikas bloks

Alumīnija profilu nostiprināšanai izmantojiet starplikas blokus vai atgriezumus gabalus, kā parādīts attēlā, lai alumīnijs netiktu deformēts. Zāģējot alumīnija profilu, izmantojiet zāģēšanas smērvielu, lai uz asmens nenogulsnētos alumīnijs.

▲BRĪDINĀJUMS: Nekad nezāģējiet biezus vai apaļus alumīnija profilus. Biezus vai apaļus alumīnija profilus ir grūti nostiprināt, un zāģēšanas laikā tie var kļūt vaļīgi, tādējādi zāģis var kļūt nevadāms un radīt smagus ievainojumus.

Rievu zāģēšana

▲BRĪDINĀJUMS: Nemēģiniet veikt šāda veida zāģēšanu, izmantojot platāku asmeni vai cokolasmeni. Ja gropes zāģēšanu mēģina veikt ar platāku asmeni vai cokolasmeni, tas var radīt neparedzētus zāģēšanas rezultātus un atsitieni, kas var izraisīt nopietnus ievainojumus.

▲BRĪDINĀJUMS: Ja nezāģējat rievu zāģēšanas režīmā, bet kādā citā, obligāti novietojiet aizturu kloķi atpakal tā sākotnējā stāvoklī. Ja zāģēšanu mēģina veikt ar sprūda strēli nepareizā stāvoklī, tas var radīt neparedzētus zāģēšanas rezultātus un atsitieni, kas var izraisīt nopietnus ievainojumus.

Lai veiktu cokolveida zāģēšanu, rīkojieties, kā tālāk norādīts:

1. Lai ierobežotu asmens zāģēšanas dziļumu, ar regulēšanas skrūvi un aiztura kloķi noregulējiet asmens apakšējās robežas stāvokli. Skatiet sadaļu „Aiztura kloķis”, kas ir aprakstīta iepriekš.

2. Kad asmens apakšējās robežas stāvoklis noregulēts, zāģējiet paralēlas rievas visa apstrādājamā materiāla platumā, izmantojot zāģēšanas ar virzīšanu (spiešanu) režīmu.

► **Att.56:** 1. Izzāģējiet rievas ar asmeni

3. Izņemiet starp rievām esošos materiāla atgriezumus.

Darbarīka pārnēsāšana

Pirms pārvietošanas obligāti atvienojiet akumulatorus un pārliecinieties, ka visas leņķzāģa kustīgās daļas ir fiksētas. Vienmēr pārliecinieties, ka:

- akumulatori ir izņemti.
- slīdrāmīšs ir slīpleņķa 0° pozīcijā un fiksēts;
- slīdrāmīšs ir nolaiests un bloķēts;
- slīdrāmīšs ir aizbīdīts līdz vadotnes ierobežotajam un bloķēts;
- pagriežamā pamatne ir novietota zāģēšanas leņķa pozīcijā pa labi līdz galam un fiksēta;
- turētāji un novietoti glabāšanai un fiksēti.

Pārnēsājiet darbarīku, turot tā pamatnes abas puses, kā parādīts attēlā.

► **Att.57**

▲BRĪDINĀJUMS: Slīdrāmja pacelšanas aiztura tapa ir paredzēta tikai pārnēsāšanai un uzglabāšanai – tā nav paredzēta zāģēšanai. Izmantojot aiztura tapu zāģēšanas laikā, zāģa asmens var nejauši izkustēties, tādējādi izraisot atsitieni un radot smagus ievainojumus.

▲UZMANĪBU: Pirms darbarīka nešanas vienmēr nostipriniet visas kustīgās daļas. Ja darbarīka daļas pārnēsāšanas laikā izkustās vai izslīd, var rasties kontroles vai līdzsvara zudums un radīt ievainojumus.

BEZVADU SISTĒMAS AKTIVIZĒŠANAS FUNKCIJA

Tikai modelim DLS111

Iespējas, ko sniedz bezvadu sistēmas aktivizēšanas funkcija

Bezvadu sistēmas aktivizēšanas funkcija nodrošina tīru un ērtu darbību. Pieslēdzot atbilstošu putekļu sūcēju darbarīkam, putekļu sūcēju iespējams darbināt automātiski kopā ar darbarīka pārslēgšanas darbību.

► **Att.58**

Lai izmantotu bezvadu sistēmas aktivizēšanas funkciju, sagatavojiet ierīces.

- Bezvadu ierīci
- Putekļu sūcēju, kas atbalsta bezvadu sistēmas aktivizēšanas funkciju

Bezvadu sistēmas aktivizēšanas funkcijas iestatīšanas kopsavilkums. Plašāk par darbībām skatiet šajās sadaļās.

1. Bezvadu ierīces uzstādīšana
2. Darbarīka reģistrācija putekļu sūcējam
3. Bezvadu sistēmas aktivizēšanas funkcijas startēšana

Bezvadu ierīces uzstādīšana

⚠UZMANĪBU: Kad uzstādāt bezvadu ierīci, darbarīku nolieciet uz līdzenas un stabilas virsmas.

IEVĒRĪBAI: Pirms bezvadu ierīces uzstādīšanas no darbarīka notīriet putekļus un neīrumus. Ja bezvadu ierīces atverē iekļūst puteklī vai neīrumi, tie var izraisīt darbības traucējumus.

IEVĒRĪBAI: Lai novērstu statiskās enerģijas radītos darbības traucējumus, pirms bezvadu ierīces pacelšanas pieskarieties statisko enerģiju izlādējošam materiālam, piemēram, darbarīka metāliskajai daļai.

IEVĒRĪBAI: Uzstādot bezvadu ierīci, vienmēr pārliecinieties, ka bezvadu ierīce ievietota pareizajā virzienā, un pārsegs ir pilnībā aizvērts.

1. Atveriet darbarīka pārsegu, kā parādīts attēlā.

► **Att.59:** 1. Pārsegs

2. Bezvadu ierīci pievienojiet atverei un aizveriet pārsegu.

Pievienojot bezvadu ierīci, izvirkjums savietojiet ar padziļinājuma vietām uz atveres.

► **Att.60:** 1. Bezvadu ierīce 2. Izvirkjums 3. Pārsegs 4. Padziļinājuma daļa

Noņemot bezvadu ierīci, pārsegu atveriet lēni. Ar āķiem pārsega aizmugurē bezvadu ierīce pacelsies līdz ar pārsega atvēršanu.

► **Att.61:** 1. Bezvadu ierīce 2. Āķis 3. Pārsegs

Pēc bezvadu ierīces noņemšanas glabājiet to komplekta ietvarā vai nestatiskā konteinerā.

IEVĒRĪBAI: Noņemot bezvadu ierīci, vienmēr izmantojiet āķus pārsega aizmugurē. Ja āķi nesatver bezvadu ierīci, tad pārsegu aizveriet un lēni atkal atveriet.

Darbarīka reģistrācija putekļu sūcējam

PIEZĪME: Lai reģistrētu darbarīku, nepieciešams Makita putekļu sūcējs, kas atbalsta bezvadu sistēmas aktivizēšanas funkciju.

PIEZĪME: Vispirms pabeidziet bezvadu ierīci uzstādot darbarīkam, tikai tad sāciet darbarīka reģistrāciju.

PIEZĪME: Darbarīka reģistrācijas laikā nenospiediet slēdža mēlīti un nenospiediet ieslēgšanas slēdzi uz putekļu sūcēja.

PIEZĪME: Skatiet arī putekļu sūcēja lietošanas rokasgrāmatu.

Ja putekļu sūcēju vēlaties aktivizēt reizē ar darbarīka pārslēgšanas darbību, vispirms pabeidziet darbarīka reģistrāciju.

1. Putekļu sūcējā un darbarīkā ielieciet akumulatorus.

2. Gaidstāves slēdzi uz putekļu sūcēja pārslēdziet pozīcijā „AUTO”.

► **Att.62:** 1. Gaidstāves slēdzis

3. Nospiediet bezvadu sistēmas aktivizēšanas pogu uz putekļu sūcēja un turiet 3 sekundes, līdz bezvadu sistēmas aktivizēšanas lampiņa mirgo zaļā krāsā. Un tad tādā pašā veidā nospiediet bezvadu sistēmas aktivizēšanas pogu uz darbarīka.

► **Att.63:** 1. Bezvadu sistēmas aktivizēšanas poga 2. Bezvadu sistēmas aktivizēšanas lampiņa

Ja putekļu sūcējs un darbarīks savienoti veiksmīgi, bezvadu sistēmas aktivizēšanas lampiņas 2 sekundes degs zaļā krāsā un tad sāks mirgot zilā krāsā.

PIEZĪME: Bezvadu sistēmas aktivizēšanas lampiņas zaļā krāsā beidz mirgot pēc 20 sekundēm. Kamēr uz putekļu sūcēja mirgo bezvadu sistēmas aktivizēšanas lampiņa, nospiediet bezvadu sistēmas aktivizēšanas pogu uz darbarīka. Ja bezvadu sistēmas aktivizēšanas lampiņa nemirgo zaļā krāsā, uz mirkli piespiediet un atkal paturiet nospiestu bezvadu sistēmas aktivizēšanas pogu.

PIEZĪME: Ja vienam putekļu sūcējam reģistrējat divus vai vairākus darbarīkus, tad darbarīku reģistrāciju pabeidziet secīgi.

Bezvadu sistēmas aktivizēšanas funkcijas startēšana

PIEZĪME: Vispirms pabeidziet darbarīka reģistrāciju putekļu sūcējam, tikai tad aktivizējiet bezvadu sistēmu.

PIEZĪME: Skatiet arī putekļu sūcēja lietošanas rokasgrāmatu.

Kad putekļu sūcējs būs reģistrēts darbarīkam, putekļu sūcējs automātiski darbosies kopā ar darbarīka pārslēgšanas darbību.

1. Uzstādiet bezvadu ierīci darbarīkam.

2. Putekļu sūcēja šļūteni savienojiet ar darbarīku.

► **Att.64**

3. Gaidstāves slēdzi uz putekļu sūcēja pārslēdziet pozīcijā „AUTO”.

► **Att.65:** 1. Gaidstāves slēdzis

4. Uz mīrkli piespiediet bezvadu sistēmas aktivizēšanas pogu uz darbarīka. Bezvadu sistēmas aktivizēšanas lampiņa iemīrģosies zilā krāsā.

► **Att.66:** 1. Bezvadu sistēmas aktivizēšanas poga
2. Bezvadu sistēmas aktivizēšanas lampiņa

5. Nospiediet darbarīka slēdža mēlīti. Pārbaudiet, vai putekļu sūcējs darbojas, kamēr slēdža mēlīte ir nospiesta.

Lai apturētu putekļu sūcēja bezvadu sistēmas aktivizēšanu, nospiediet bezvadu sistēmas aktivizēšanas pogu uz darbarīka.

PIEZĪME: Bezvadu sistēmas aktivizēšanas lampiņa uz darbarīka beigs mirgot zilā krāsā, kad darbarīks bezdarbībā būs bijis 2 stundas. Šajā gadījumā gaidstāves slēdzi uz putekļu sūcēja pārslēdziet pozīcijā „AUTO” un atkal nospiediet bezvadu sistēmas aktivizēšanas pogu uz darbarīka.

PIEZĪME: Putekļu sūcējs ieslēdzas/izslēdzas ar aizkavi. Kad putekļu sūcējs konstatē darbarīka pārlēģšanas darbību, rodas laika nobīde.



PIEZĪME: Atrašanās vietas un apkārtejo apstākļu dēļ var atšķirties bezvadu ierīces signāla uztveršanas attālums.

PIEZĪME: Kad pie viena putekļu sūcēja pieslēgti divi vai vairāki darbarīki, putekļu sūcējs var sākt darboties pat tad, ja nenospiež slēdža mēlīti, jo bezvadu sistēmas aktivizēšanas funkciju izmanto cits lietotājs.

Bezvadu sistēmas aktivizēšanas lampiņas statusa apraksts

► **Att.67:** 1. Bezvadu sistēmas aktivizēšanas lampiņa

Bezvadu sistēmas aktivizēšanas lampiņa rāda bezvadu sistēmas aktivizēšanas funkcijas statusu. Lampiņas statusa nozīme norādīta tabulā.

| Statuss | Bezvadu sistēmas aktivizēšanas lampiņa | | | | Apraksts |
|-----------------------------------|--|---|---|-------------------------|---|
| | Krāsa |  Deg |  Mirgo | Ilgums | |
| Gaidstāve | Zila | <input checked="" type="checkbox"/> | | 2 stundas | Putekļu sūcēja bezvadu sistēmas aktivizēšana ir iespējama. Kad darbarīks bezdarbībā būs bijis 2 stundas, lampiņa izslēģies automātiski. |
| | | <input type="checkbox"/> | | Kad darbarīks darbojas. | Putekļu sūcēja bezvadu sistēmas aktivizēšana ir iespējama, darbarīks darbojas. |
| Darbarīka reģistrācija | Zaļa | <input checked="" type="checkbox"/> | | 20 sekundes | Sistēma ir gatava darbarīka reģistrācijai. Tiek gaidīta putekļu sūcēja reģistrācija. |
| | | <input type="checkbox"/> | | 2 sekundes | Darbarīka reģistrācija ir pabeigta. Bezvadu sistēmas aktivizēšanas lampiņa sāks mirgot zilā krāsā. |
| Darbarīka reģistrācijas atcelšana | Sarkana | <input checked="" type="checkbox"/> | | 20 sekundes | Sistēma ir gatava darbarīka reģistrācijas atcelšanai. Tiek gaidīta reģistrācijas atcelšana no putekļu sūcēja puses. |
| | | <input type="checkbox"/> | | 2 sekundes | Darbarīka reģistrācijas atcelšana ir pabeigta. Bezvadu sistēmas aktivizēšanas lampiņa sāks mirgot zilā krāsā. |
| Cits | Sarkana | <input type="checkbox"/> | | 3 sekundes | Bezvadu ierīce saņem strāvu, sākt darboties bezvadu sistēmas aktivizēšanas funkcija. |
| | Nedeg | - | | - | Putekļu sūcēja bezvadu sistēmas aktivizēšana ir apturēta. |

Darbarīka reģistrācijas atcelšana putekļu sūcējam

Atceļot darbarīka reģistrāciju putekļu sūcējam, jāriķojas šādi.

1. Putekļu sūcējā un darbarīkā ielieciet akumulatorus.
2. Gaidstāves slēdzi uz putekļu sūcēja pārslēdziet pozīcijā „AUTO”.

► **Att.68:** 1. Gaidstāves slēdzis

3. Nospiediet bezvadu sistēmas aktivizēšanas pogu uz putekļu sūcēja un turiet 6 sekundes. Bezvadu sistēmas aktivizēšanas lampiņa nomīrģo zaļā krāsā un tad kļūst sarkana. Pēc tam tādā pašā veidā nospiediet bezvadu sistēmas aktivizēšanas pogu uz darbarīka.

► **Att.69:** 1. Bezvadu sistēmas aktivizēšanas poga
2. Bezvadu sistēmas aktivizēšanas lampiņa

Ja atcelšana notikusi veiksmīgi, bezvadu sistēmas aktivizēšanas lampiņas 2 sekundes deģs sarkanā krāsā un sāks mirgot zilā krāsā.

PIEZĪME: Bezvadu sistēmas aktivizēšanas lampiņas sarkanā krāsā beidz mirgot pēc 20 sekundēm. Kamēr uz putekļu sūcēja mirģo bezvadu sistēmas aktivizēšanas lampiņa, nospiediet bezvadu sistēmas aktivizēšanas pogu uz darbarīka. Ja bezvadu sistēmas aktivizēšanas lampiņa nemīrģo sarkanā krāsā, uz mīrkli piespiediet un atkal paturiet nospīestu bezvadu sistēmas aktivizēšanas pogu.

Traucējummeklēšana bezvadu sistēmas aktivizēšanas funkcijai

Pirms nodošanas remontā vispirms veiciet pārbaudi pats. Ja konstatējat kļūmi, kas nav aprakstīta rokasgrāmatā, nemēģiniet darbarīku izjaukt. Dodieties uz Makita pilnvarotu apkopes centru un remontam vienmēr izmantojiet tikai Makita rezerves daļas.

| Neatbilstošas darbības stāvoklis | Iespējamais iemesls (kļūme) | Risinājums |
|---|--|--|
| Bezvadu sistēmas aktivizēšanas lampiņa neiedegas/nemirgo. | Bezvadu ierīce darbarīkā nav uzstādīta. Bezvadu ierīce darbarīkā ir uzstādīta nepareizi. | Uzstādiet bezvadu ierīci pareizi. |
| | Bezvadu ierīces izvads un/vai atvere ir netīra. | Uzmanīgi noslaukiet putekļus un netīrumus no bezvadu ierīces izvada un iztīriet atveri. |
| | Bezvadu sistēmas aktivizēšanas poga uz darbarīka nav nospiesta. | Uz mirkli piespiediet bezvadu sistēmas aktivizēšanas pogu uz darbarīka. |
| | Gaidstāves slēdzis uz putekļu sūcēja nav ieslēgts pozīcijā „AUTO”. | Gaidstāves slēdzi uz putekļu sūcēja pārslēdziet pozīcijā „AUTO”. |
| | Nav strāvas padeves | Pieslēdziet strāvas padevi darbarīkam un putekļu sūcējam. |
| Neizdodas veiksmīgi pabeigt darbarīka reģistrāciju/darbarīka reģistrācijas atcelšanu. | Bezvadu ierīce darbarīkā nav uzstādīta. Bezvadu ierīce darbarīkā ir uzstādīta nepareizi. | Uzstādiet bezvadu ierīci pareizi. |
| | Bezvadu ierīces izvads un/vai atvere ir netīra. | Uzmanīgi noslaukiet putekļus un netīrumus no bezvadu ierīces izvada un iztīriet atveri. |
| | Gaidstāves slēdzis uz putekļu sūcēja nav ieslēgts pozīcijā „AUTO”. | Gaidstāves slēdzi uz putekļu sūcēja pārslēdziet pozīcijā „AUTO”. |
| | Nav strāvas padeves | Pieslēdziet strāvas padevi darbarīkam un putekļu sūcējam. |
| | Nepareiza darbība | Uz mirkli piespiediet bezvadu sistēmas aktivizēšanas pogu un atkal veiciet darbarīka reģistrācijas/atcelšanas procedūru. |
| | Darbarīks un putekļu sūcējs atrodas tālu viens no otra (ārpus signāla uztveršanas zonas). | Darbarīku un putekļu sūcēju novietojiet tuvāk viens otram. Maksimālais signāla uztveršanas attālums ir apmēram 10 m, taču apstākļu ietekmē tas var atšķirties. |
| | Pirms darbarīka reģistrācijas/atcelšanas pabeigšanas - slēdža mēlīte uz darbarīka ir nospiesta vai - ieslēgšanas poga uz putekļu sūcēja ir ieslēgta. | Uz mirkli piespiediet bezvadu sistēmas aktivizēšanas pogu un atkal veiciet darbarīka reģistrācijas/atcelšanas procedūru. |
| | Darbarīka reģistrācijas procedūra darbarīkam vai putekļu sūcējam nav pabeigta. | Vienlaikus veiciet darbarīka reģistrācijas procedūru gan darbarīkam, gan putekļu sūcējam. |
| | Radio traucējumi no citām iekārtām, kas ģenerē ļoti intensīvus radio viļņus. | Darbarīku un putekļu sūcēju neturiet tādu iekārtu tuvumā kā bezvadu tehnoloģiju (Wi-Fi) ierīces un mikroviļņu krāsnis. |

| Neatbilstošas darbības stāvoklis | Iespējamais iemesls (klūme) | Risinājums |
|---|---|---|
| Putekļu sūcējs nedarbojas kopā ar darbarīka pārslēgšanas darbību. | Bezvadu ierīce darbarīkā nav uzstādīta. Bezvadu ierīce darbarīkā ir uzstādīta nepareizi. | Uzstādiēt bezvadu ierīci pareizi. |
| | Bezvadu ierīces izvads un/vai atvere ir netīra. | Uzmanīgi noslaukiet putekļus un nefrumus no bezvadu ierīces izvada un iztīriet atveri. |
| | Bezvadu sistēmas aktivizēšanas poga uz darbarīka nav nospiesta. | Uz mirkli piespiediet bezvadu sistēmas aktivizēšanas pogu un pārliecinieties, ka bezvadu sistēmas lampa mirgo zilā krāsā. |
| | Gaidstāves slēdzis uz putekļu sūcēja nav ieslēgts pozīcijā „AUTO”. | Gaidstāves slēdzi uz putekļu sūcēja pārslēdziet pozīcijā „AUTO”. |
| | Pie putekļu sūcēja ir pieslēgti vairāk nekā 10 darbarīki. | Atkārtoti reģistrējiet darbarīku. Ja putekļu sūcējam reģistrēti vairāk nekā 10 darbarīki, automātiski tiks atslēgts vissienāk reģistrētais darbarīks. |
| | Visu reģistrēto darbarīku iestatījumi ir izdzēsti no putekļu sūcēja. | Atkārtoti reģistrējiet darbarīku. |
| | Nav strāvas padeves | Pieslēdziet strāvas padevi darbarīkam un putekļu sūcējam. |
| | Darbarīks un putekļu sūcējs atrodas tālu viens no otra (ārpus signāla uztveršanas zonas). | Darbarīku un putekļu sūcēju novietojiet tuvāk vienu pie otra. Maksimālais signāla uztveršanas attālums ir apmēram 10 m, taču apstākļu ietekmē tas var atšķirties. |
| | Radio traucējumi no citām iekārtām, kas ģenerē ļoti intensīvus radio viļņus. | Darbarīku un putekļu sūcēju neturiet tādu iekārtu tuvumā kā bezvadu tehnoloģiju (Wi-Fi) ierīces un mikroviļņu krāsnis. |
| Putekļu sūcējs darbojas, lai gan nav nospiesta darbarīka slēdža mēlīte. | Putekļu sūcēja bezvadu sistēmas aktivizēšanas funkciju saviem darbarīkiem izmanto citi lietotāji. | Izslēdziet citu darbarīku bezvadu aktivizēšanas pogu vai atceliet darbarīka reģistrāciju citiem darbarīkiem. |

APKOPE

▲BRĪDINĀJUMS: Pirms pārbaudes vai apkopes vienmēr pārliecinieties, ka darbarīks ir izslēgts un akumulatori ir izņemti. Ja darbarīku neizslēdz un akumulatori netiek izņemti, darbarīks var nejauši ieslēgties un radīt smagus ievainojumus.

▲BRĪDINĀJUMS: Lai darba rezultāts būtu maksimāli kvalitatīvs un drošs, vienmēr pārbaudiet, vai asmens ir ass un tīrs. Mēģinot zāģēt ar trulu un/ vai netīru asmeni, iespējams izraisīt atsitieni un radīt nopietnus ievainojumus.

IEVĒRĪBAI: Nekad neizmantojiet gazoilnu, benzīnu, atšķaidītāju, spirtu vai līdzīgus šķidrumus. Tas var radīt izbalēšanu, deformāciju vai plaisas.

Zāģēšanas leņķa noregulēšana

Šis darbarīks ir uzmanīgi noregulēts un savietots rūpnīcā, taču, ja ar to nerīkosieties saudzīgi, tas vairs var nebūt pareizi noregulēts. Ja darbarīks nav pareizi savietots, rīkojieties šādi:

Zāģēšanas leņķis

Nolaidiet rokturi lejup līdz galam un bloķējiet to zemākajā stāvoklī ar aiztura tapu. Spiediet slīdrāmi pret vadotnes ierobežotāju. Atbrīvojiet rokturi un izskrūvējiet skrūves, kas fiksē rādītāju un zāģēšanas leņķa skalu.

► **Att.70:** 1. Pieskrūvējiet rādītāju. 2. Zāģēšanas leņķa skalas skrūves 3. Zāģēšanas leņķa skala

Izmantojot aiztures fiksēšanas funkciju, iestatiet pagriežamo pamatni 0° pozīcijā. Izmantojot trijstūri vai lekālu, savietojiet perpendikulāri asmens sānu ar vadotnes ierobežotāja priekšpusi. Saglabājot perpendikulāro stāvokli, pievelciet zāģēšanas leņķa skalas skrūves. Pēc tam savietojiet rādītāju (gan labo, gan kreiso) ar zāģēšanas leņķa skalas 0° pozīciju un pievelciet rādītāja skrūves.

► **Att.71:** 1. Trijstūris

Slīpais leņķis

0° slīpais leņķis

Spiediet slīdrāmi pret vadotnes ierobežotāju un bloķējiet slīdēšanu ar aiztura tapu. Nolaidiet rokturi lejup līdz galam un bloķējiet to zemākajā stāvoklī ar aiztura tapu, pēc tam atbrīvojiet kloķi. Lai sagāztu asmeni pa labi, 0° regulēšanas bultskrūvi pagrieziet divus vai trīs apgriezienus pretēji pulksteņrādītāju kustības virzienam.

► **Att.72:** 1. 0° regulēšanas bultskrūve 2. Skrūve

Izmantojot trijstūri, lekālu, u. tml., asmens malu rūpīgi novietojiet perpendikulāri pagriežamās pamatnes augšējai virsmai, pagriežot 0° regulēšanas bultskrūvi pulksteņrādītāju kustības virzienā. Pēc tam stingri pievelciet kloķi, lai fiksētu iestatīto 0° leņķi.

► **Att.73:** 1. Trijstūris 2. Zāģa asmens 3. Pagriežamās pamatnes augšējā virsma

Vēlreiz pārbaudiet, vai asmens mala ir perpendikulāra pagriežamās pamatnes virsmai. Atbrīvojiet rādītāja skrūvi. Savietojiet rādītāju ar 0° pozīciju slīpleņķa skalā un pēc tam pievelciet skrūvi.

45° slīpais leņķis

IEVĒRĪBAI: Pirms 45° slīpleņķa iestatīšanas noregulējiet 0° slīpleņķi.

Atbrīvojiet kloķi un sagāziet slīdrāmi līdz galam uz to pusi, kuru vēlaties pārbaudīt. Pārbaudiet, vai rādītājs norāda uz 45° pozīciju slīpleņķa skalā.

► Att.74

Ja rādītājs nenorāda uz 45° pozīciju, savietojiet to ar 45° pozīciju, pagriežot regulēšanas bultskrūvi slīpleņķa skalas pretējā pusē.

► **Att.75:** 1. Kreisās puses 45° regulēšanas bultskrūve 2. Labās puses 45° regulēšanas bultskrūve

Lāzera līnijas pozīcijas regulēšana

Tikai modelim DLS111, DLS112

▲BRĪDINĀJUMS: Regulējot lāzera līniju, akumulatoriem jābūt uzstādītiem. Rīkojieties ļoti uzmanīgi, lai, veicot regulēšanu, nejauši neiedarbinātu darbarīku. Darbarīka nejauša iedarbināšana var izraisīt smagus ievainojumus.

▲UZMANĪBU: Nekad neskatieties tieši lāzera starā. Skatīšanās uz tiešu lāzera staru var izraisīt smagus acu bojājumus.

IEVĒRĪBAI: Regulāri pārbaudiet lāzera līnijas precizitāti.

IEVĒRĪBAI: Ņemiet vērā darbarīka radīto ietekmi. Tas var radīt lāzera līnijas nepareizu novietojumu vai sabojāt lāzeru, saīsinot tā darbību.

IEVĒRĪBAI: Ja lāzera mehānisms ir sabojājies, remonts jāveic „Makita” pilnvarotajā apkopes centrā.

Lāzera līnijas kustības diapazonu nosaka ar diapazona regulēšanas skrūvēm abās pusēs. Lai mainītu lāzera līnijas pozīciju, veiciet norādītās darbības.

1. Izņemiet akumulatorus.
2. Uz apstrādājamā materiāla uzzīmējiet zāģēšanas līniju, un novietojiet materiālu uz pagriežamās pamatnes. Šajā posmā vēl nenostipriniet apstrādājamo materiālu ar skrūvspilēm vai līdzīgu nostiprināšanas ierīci.
3. Nolaidiet rokturi un savietojiet zāģēšanas līniju ar zāģa asmeni.
4. Atgrieziet rokturi sākotnējā pozīcijā un nostipriniet apstrādājamo materiālu ar vertikālajām skrūvspilēm tā, lai apstrādājamais materiāls nenovirzītos no noteiktās pozīcijas.
5. Uzstādiet akumulatorus un ieslēdziet lāzera slēdzi.
6. Atbrīvojiet regulēšanas skrūves. Lai atbīdītu lāzera līniju no asmens, grieziet diapazona regulēšanas skrūves pretēji pulksteņrādītāju kustības virzienam. Lai piebīdītu lāzera līniju pie asmens, grieziet diapazona regulēšanas skrūves pulksteņrādītāju kustības virzienā.

Lāzera līnijas iestatīšana asmens kreisajā pusē

► **Att.76:** 1. Regulēšanas skrūve 2. Diapazona regulēšanas skrūve 3. Sešstūru uzgriežņatslēga 4. Lāzera līnija 5. Zāģa asmens

Lāzera līnijas iestatīšana asmens labajā pusē

► **Att.77:** 1. Regulēšanas skrūve 2. Diapazona regulēšanas skrūve 3. Sešstūru uzgriežņatslēga 4. Lāzera līnija 5. Zāģa asmens

7. Bīdīet regulēšanas skrūvi, līdz lāzera līnija pieguļ zāģēšanas līnijai, un pēc tam pievelciet.

PIEZĪME: Lāzera līnijas kustības diapazons rūpnīcā ir noregulēts 1 mm (0,04") robežās no asmens malas virsmas.

Lāzera gaismas lēcas tīrīšana

Tikai modelim DLS111, DLS112

Ja lāzera gaismas lēca kļūst netīra, lāzera gaisma kļūst blāva. Regulāri tīriet lāzera gaismas lēcu.

► **Att.78:** 1. Skrūve 2. Lēca

Izņemiet akumulatorus. Atbrīvojiet skrūvi un izņemiet lēcu. Saudzīgi notīriet lēcu ar mitru mīkstu drānu.

IEVĒRĪBAI: Neizskrūvējiet skrūvi, kas nostiprina lēcu. Ja lēcu nevar izņemt, turpiniet atbrīvot skrūvi.

IEVĒRĪBAI: Tīrot lēcu, nelietojiet šķīdinātājus vai tīrītājus uz naftas produktu bāzes.

Pēc ekspluatācijas

Pēc ekspluatācijas ar lupatīņu vai ko līdzīgu no darbarīka notīriet tam pieļipušās skaidas un putekļus. Rūpējieties, lai asmens aizsargs būtu tīrs, ievērojot iepriekš minētajā sadaļā „Asmens aizsargs” minētos norādījumus. Slīdošās daļas ieeļļojiet ar mašīneļļu, lai tās nesarūsētu.

Lai saglabātu izstrādājuma DROŠU un UZTICAMU darbību, remontdarbus, apkopi un regulēšanu uzticiet veikt tikai Makita pilnvarotam vai rūpnīcas apkopes centram, un vienmēr izmantojiet tikai Makita rezerves daļas.

PAPILDU PIEDERUMI

▲BRĪDINĀJUMS: Šos piederumus vai papildierīces ieteicams izmantot kopā ar šajā rokasgrāmatā aprakstīto „Makita” darbarīku. Izmantojot citus piederumus vai papildierīces, var radīt smagus ievainojumus.

▲BRĪDINĀJUMS: Piederumu vai papildierīces izmantojiet tikai paredzētajam mērķim. Nepareizi lietojot piederumus vai papildierīces, var radīt smagus ievainojumus.

Ja jums vajadzīga palīdzība vai precīzāka informācija par šiem piederumiem, vērsieties savā tuvākajā Makita apkopes centrā.

- Zāģa asmeņi ar tērauda un karbīda uzgaļiem
- Vertikālās skrūvspīles
- Horizontālās skrūvspīles
- Griestu cokola aizturu komplekts
- Putekļu maiss
- Trijstūris
- Seššķautņu uzgriežņu atslēga
- Sešstūru uzgriežņatslēga (lāzera regulēšanai)
- Bezvadu ierīce (modelim DLS111)
- Makita oriģinālais akumulators un lādētājs

PIEZĪME: Daži sarakstā norādītie izstrādājumi var būt iekļauti instrumenta komplektācijā kā standarta piederumi. Tie dažādās valstīs var būt atšķirīgi.

SPECIFIKACIJOS

| Modelis: | | DLS110 | DLS111 | DLS112 |
|--------------------------------------|------------------|--|--|--------|
| Disko skersmuo | Europos šalys | 260 mm | | |
| | Ne Europos šalys | 255 mm – 260 mm | | |
| Angos skersmuo | Europos šalys | 30 mm | | |
| | Ne Europos šalys | 25,4 mm | | |
| Didž. pjūklo disko prapjovimo storis | | 3,2 mm | | |
| Didž. įžambus kampas | | Dešinėje 60°, kairėje 60° | | |
| Didž. įstrižas kampas | | Dešinėje 48°, kairėje 48° | | |
| Be apkrovos (aps./min.) | | 4 400 min ⁻¹ | | |
| Lazerio tipas | | - | Raudonas lazeris 650 nm, didžiausia išvestis < 1,6 mW (2M lazerio klasė) | |
| Nominali įtampa | | Nuol. sr. 36 V | | |
| Akumuliatoriaus kasetė | | BL1815N, BL1820, BL1820B, BL1830, BL1830B, BL1840, BL1840B, BL1850, BL1850B, BL1860B | | |
| Įkroviklis | | DC18RC, DC18RD, DC18SD, DC18SE, DC18SF | | |
| Matmenys (I x P x A) | | 805 mm x 644 mm x 660 mm | | |
| Grynasis svoris | | 26,6 - 27,3 kg | | |

Pjovimo pajėgumas (A x P)

| Įžambusis kampas | Įstrižasis kampas | | |
|---------------------------|----------------------------------|----------------------------------|----------------------------------|
| | 45° (kairėje) | 0° | 45° (dešinėje) |
| 0° | 42 mm x 310 mm 58 mm x 279 mm | 68 mm x 310 mm 91 mm x 279 mm | 29 mm x 310 mm 43 mm x 279 mm |
| 45° (dešinėje ir kairėje) | 42 mm x 218 mm 58 mm x 197 mm | 68 mm x 218 mm 91 mm x 197 mm | 29 mm x 218 mm 43 mm x 197 mm |
| 60° (dešinėje ir kairėje) | - | 68 mm x 155 mm 91 mm x 139 mm | - |

Specialiųjų pjūvių pjovimo pajėgumas

| Pjovimo tipas | Pjovimo pajėgumas |
|---|-------------------|
| Lubų apdailos juostos, 45° tipas (su naudojamu apdailos juostų fiksatoriumi) | 168 mm |
| Grindjuostės (su naudojamu horizontaliu spauštuvu) | 133 mm |

- Atliekame tęstinius tyrimus ir nuolat tobuliname savo gaminius, todėl čia pateikiamos specifikacijos gali būti keičiamos be įspėjimo.
- Įvairiose šalyse specifikacijos ir akumuliatoriaus kasetė gali skirtis.
- Svoris gali priklausyti nuo priedo (-ų), įskaitant akumuliatoriaus kasetę. Lengviausias ir sunkiausias deriniai pagal EPTA 2014 m. sausio mėn. procedūrą yra parodyti lentelėje.

Simboliai

Toliau yra nurodyti įrangai naudojami simboliai. Prieš naudodami įsitikinkite, ar suprantate jų reikšmę.



Perskaitykite instrukcijų vadovą.



Saugodamiesi sužalojimų, kuriuos gali sukelti skriejančios atliekos, baigę pjauti pjūklo galvutę laikykite nuleidę, kol diskas visiškai sustos.



Atlikdami slenkamąjį pjūvį, pirmiausiai iki galo patraukite vežimėlį ir nuspauskite rankeną žemyn, tada pastumkite vežimėlį kreipiamojo aptvaro link.



Nekiškite rankų ir pirštų prie disko.



Niekada nežiūrėkite į lazerio spindulį. Tiesioginis lazerio spindulys gali pažeisti akis.



Tik ES šalims

Neišmeskite elektrinės įrangos kartu su buitinėmis šiukšlėmis! Pagal ES direktyvą dėl naudotos elektros ir elektroninės įrangos ir jos įdiegimo pagal nacionalinius įstatymus, naudotą elektros įrangą būtina surinkti atskirai ir nugabenti antrinių žaliavų perdirbimui aplinkai nekenksmingu būdu.

Numatytoji naudojimo paskirtis

Šis įrankis skirtas tiksliai, tiesiai ir įžambiai pjauti medieną. Naudojant tinkamus pjūklų diskus, galima pjauti ir aliuminį.

Triukšmas

Įprastas triukšmo A lygis, nustatytas pagal EN62841:

Modelis DLS110

Garso slėgio lygis (L_{pA}): 92 dB (A)

Garso galios lygis (L_{WA}): 102 dB (A)

Paklaida (K): 3 dB (A)

Modelis DLS111

Garso slėgio lygis (L_{pA}): 92 dB (A)

Garso galios lygis (L_{WA}): 102 dB (A)

Paklaida (K): 3 dB (A)

Modelis DLS112

Garso slėgio lygis (L_{pA}): 92 dB (A)

Garso galios lygis (L_{WA}): 102 dB (A)

Paklaida (K): 3 dB (A)

ĮSPĖJIMAS: Dėvėkite ausų apsaugą.

Vibracija

Vibracijos bendroji vertė (trიაšio vektoriaus suma) nustatyta pagal EN62841 standartą:

Modelis DLS110

Vibracijos emisija (a_h): 2,5 m/s² arba mažiau

Paklaida (K): 1,5 m/s²

Modelis DLS111

Vibracijos emisija (a_h): 2,5 m/s² arba mažiau

Paklaida (K): 1,5 m/s²

Modelis DLS112

Vibracijos emisija (a_h): 2,5 m/s² arba mažiau

Paklaida (K): 1,5 m/s²

PASTABA: Paskelbtasis vibracijos emisijos dydis nustatytas pagal standartinį testavimo metodą ir jį galima naudoti vienam įrankiui palyginti su kitu.

PASTABA: Paskelbtasis vibracijos emisijos dydis taip pat gali būti naudojamas preliminariai įvertinti vibracijos poveikį.

ĮSPĖJIMAS: Faktiškai naudojant elektrinį įrankį, keliamos vibracijos dydis gali skirtis nuo paskelbtojo dydžio, priklausomai nuo būdų, kuriais yra naudojamas šis įrankis.

ĮSPĖJIMAS: Siekdami apsaugoti operatorių, būtina įvertinkite saugos priemones, remdamiesi vibracijos poveikio įvertinimu esant faktinėms naudojimo sąlygoms (atsižvelgdamį į visas darbo ciklo dalis, pavyzdžiui, ne tik kiek laiko įrankis veikia, bet ir kiek kartų jis yra išjungiamas bei kai jis veikia be apkrovų).

EB atitikties deklaracija

Tik Europos šalims

EB atitikties deklaracija yra pridedama kaip šio instrukcijų vadovo A priedas.

SAUGOS ĮSPĖJIMAI

Bendrieji įspėjimai dirbant elektriniais įrankiais

ĮSPĖJIMAS: Perskaitykite visus saugos įspėjimus, instrukcijas, iliustracijas ir techninius duomenis, pateiktus kartu su šiuo elektriniu įrankiu. Nesilaikant visų toliau išvardytų instrukcijų galima patirti elektros smūgį, gali kilti gaisras ir (arba) galima sunkiai susižaloti.

Išsaugokite visus įspėjimus ir instrukcijas, kad galėtumėte jas peržiūrėti ateityje.

Terminas „elektrinis įrankis“ pateiktuose įspėjimuose reiškia į maitinimo tinklą jungiamą (laidinį) elektrinį įrankį arba akumuliatoriaus maitinamą (belaidį) elektrinį įrankį.

Įžambiai pjaunančių pjūklų saugos instrukcijos

- Įžambiai pjaunantys pjūklai yra skirti medienos ar į medieną-panašioms gaminiams pjauti, jų negalima naudoti su šlifuojamaisiais nuopjovimo diskais geležinėms medžiagoms (sijoms, strypams, vinims ir pan.) pjauti.** Dėl šlifuojant susidarantių dulkių judamosios dalys (pvz., apatinė apsauga) stringa. Per šlifuojamąjį pjovimą kylančios kibirkštys nudegins apatinę apsaugą, prapjovimo įdėklą ir kitas plastikines dalis.
- Kai įmanoma, roušinį įtvirtinkite spaustuvais.** Jei roušinį remiate ranka, ją laikykite mažiausiai 100 mm atstumu nuo bet kurios pjūklų disko pusės. Nenaudokite šio pjūklų pernelg mažoms dalims, kurių nebūtų galima saugiai prispausti arba laikyti ranka, pjauti. Ranką padėjus pernelg arti pjūklų disko, didėja rizika susižaloti jį palietus.
- Ruošinyje turi būti stabilus ir prispaustas arba padėtas prietaisais aptvarą ir stalą.** Jokiu būdu nestumkite roušinio disko link ir nepjunkite rankomis. Nepritvirtinti ar judantys roušiniai gali būti staiga išmesti ir jus sužaloti.
- Spauskite pjūklą per roušinį. Netraukite pjūklą per roušinį. Norėdami pjauti, pakelkite pjūklą priekinę dalį ir nepjudami traukite ją virš roušinio, paleiskite variklį, spauskite pjūklą priekinę dalį žemyn, o pjūklą – per roušinį.** Tikėtina, kad traukiant roušinio diskas atsidurs roušinio viršuje ir per jėgą išmes pjūklą mechanizmo operatoriaus link.
- Niekada nedėkite rankos už numatytos pjovimo linijos pjūklų disko priekyje arba už jo.** Prilaukyti roušinį sukryžiuvus rankas (t. y. laikant roušinį pjūklų disko dešinėje pusėje kairiaja ranka arba atvirščiai) yra labai pavojinga.

► Pav.1

6. **Kai diskas sukasi, ranka nesiekite už aptvaro arčiau nei 100 mm atstumu nuo bet kurios pjūklo disko pusės, jei prireiktų pašalinti medienos gabalėlius ar dėl kitos priežasties.** Besisukantis pjūklo diskas gali būti arčiau jūsų rankos, nei manote, todėl galite sunkiai susižaloti.
7. **Prieš pjudami patikrinkite ruošinį. Jei ruošinys yra lenktas arba iškreiptas, suspauskite jį išlenktos dalies išorėje aptvaro link. Visada įsitikinkite, kad tarp ruošinio, aptvaro ir stalo palei pjovimo liniją nėra tarpo.** Lenkti arba iškreipti ruošiniai gali susisukti arba pasislinkti, todėl pjaunant besisukantis pjūklo diskas gali užstrigti. Ruošinyje neturi būti vinių ar kitų pašalinių objektų.
8. **Nenaudokite pjūklo, kol ant stalo yra pašalinii įrankių, medienos gabalėlių ir pan.** Nedidelės nuopjovos, palaidi medienos gabalėliai arba kiti objektai, palietę besisukančią diską, gali būti išmesti dideliu greičiu.
9. **Vienu metu pjaukite tik vieną ruošinį.** Vieno ant kito sukrautų ruošinių nepavyks tinkamai prispausti arba suimti, todėl jie gali įstrigti diske arba pasislinkti pjaunant.
10. **Prieš naudodami įsitikinkite, kad įžambiai pjaunantis pjūklas sumontuotas arba padėtas ant lygus ir tvirto darbinio paviršiaus.** Lygus ir tvirtas darbinis paviršius užtikrina įžambiai pjaunančio pjūklo stabilumą.
11. **Planuokite savo darbą. Kaskart keisdami įstrižo ir įžambiojo kampų nuostatas, įsitikinkite, kad reguliuojamas aptvaras tinkamai prilaikys ruošinį, nesilies su disku ar apsaugos sistema.** Nejudgdami įrankio ir nepadėję ruošinio ant stalo, stumkite pjūklo diską per imituotą pjūvio vietą, kad įsitikintumėte, jog nekils pavojaus atsitenkti ar nupjauti ruošinį.
12. **Pasirūpinkite tinkama atrama, skirta ruošiniui, platesniam ar ilgesniam už stalo paviršių (tai gali būti stalo ilginiai, ožys malkoms pjauti ir kt.).** Už įžambiai pjaunančio pjūklo stalą ilgesni ar platesni ruošiniai gali nuvirsti, jei jų nepilnaikiškai tinkamai. Jei nupjaunama dalis ar ruošinys pakryptų, ji (-is) gali pakelti apatinę apsaugą ar būti numesta (-as) besisukančio disko.
13. **Nenaudokite kito asmens stalui pailginti arba vietoje papildomos atramos.** Dėl nestabilius ruošinio atramos pjaunant diskas gali įstrigti, o ruošinys – pakrypti, todėl jūs arba pagalbinkas galite būti truketelėti besisukančio disko link.
14. **Nupjaunama dalis negali būti įstrigusi arba kokia nors priemone spaudžiama besisukančio pjūklo disko link.** Jei darbą kas nors riboja (pvz., naudojami ilgio fiksatoriai), nupjaunama dalis gali būti plėšiama priešais diską ir stipriai išmesta.
15. **Visada naudokite spaustuvą arba tvirtinimo elementą, skirtą apvaliai medžiagai (pvz., strypams arba vamzdžiams) prilaikyti.** Pjaunami strypai link riedėti, todėl diskas gali įpjauti ir įtraukti ruošinį su jūsų ranka į diską.
16. **Prieš paliesdami ruošinį, leiskite diskui pradėti sukis visu greičiu.** Tai sumažins tikimybę, kad ruošinys bus išmestas.
17. **Įstrigus ruošiniui ar diskui, nusukite įžambiai pjaunantį pjūklą.** Palaukite, kol visos judamosios dalys sustos, ištraukite kištuką iš maitinimo šaltinio ir (arba) išimkite akumuliatorių. Tada pašalinkite įstrigusią medžiagą. Pjaunant, kai ruošinys įstrigęs, galima sugadinti įžambiai pjaunantį pjūklą arba jo nesuvaldyti.
18. **Baigę pjauti atleiskite jungiklį, laikykite pjūklo priekinę dalį pakreiptą žemyn ir laukite, kol diskas nustos sukis, tik tada imkite nupjautą dalį.** Bandyti ranka pasiekti iš inercijos besisukančią diską yra pavojinga.
19. **Jei norėsite tik įpjauti, tvirtai laikykite pjūklą už rankenėlės, tai darykite ir prieš atleisdami jungiklį, jei pjūklo priekinė dalis nėra visiškai nuleista žemyn.** Stabdant pjūklą, jo priekinė dalis gali būti staiga patraukta žemyn, tai kelia pavojų susižaloti.
20. **Naudokite tik tokio skersmens pjovimo diską, koks yra nurodytas ant įrankio arba naudojimo instrukcijoje.** Naudojant netinkamo dydžio diską, diskas gali būti netinkamai apsaugotas arba netinkamai veiks apsauginis disko gaubtas, todėl galima sunkiai susižeisti.
21. **Naudokite tik tuos pjūklo diskus, ant kurių nurodytas sukimosi greitis prilygsta arba viršija ant įrankio nurodytą sukimosi greitį.**
22. **Pjūklą naudokite tik medienai, aluminiui ir panašioms medžiagoms pjauti.**
23. **(Tik Europos šalims) Naudokite pjūklo diskus, atitinkančius EN847-1.**

Papildomos instrukcijos

1. **Pasirūpinkite, kad į dirbtuves nepatektų vaikų, užkabinkite spynas.**
2. **Niekada nestovėkite ant įrankio.** Pjovimo įrankiui apvirtus arba jį netyčia palietus, galima sunkiai susižaloti.
3. **Niekada nepalikite veikiančio įrankio be priežiūros.** Išjunkite maitinimą. Nepalikite įrankio, kol jis visiškai nesustojo.
4. **Nenaudokite pjūklo, jei apsauginiai įtaisai nėra įtvirtinti.** Kaskart prieš naudodami patikrinkite, ar apsauginis disko įtaisas užsidaro tinkamai. Nenaudokite pjūklo, jei kas nors trukdo judėti apsauginiam disko įtaisui ir jis neužsidaro iš karto. Jokių būdu neužfiksuokite ir nepririškite apsauginio disko, jei įtaisas atdaras.
5. **Žiūrėkite, kad rankos būtų kuoj toliau nuo pjūklo disko.** Venkite sąlyčio su bet kuriuo judančiu disku. Jis gali sunkiai sužeisti.
6. **Po kiekvieno skersinio pjūvio gražinkite atramą į galinę padėtį, kad sumažintumėte riziką susižeisti.**
7. **Prieš nešdami įrankį, būtinai užtvirtinkite visas judamąsias dalis.**
8. **Stabdymo kaištis, užfiksuojantis pjaustytuvo galvutę, skirtas tik perkelti ir saugoti prietaisą, juo negalima pjauti.**
9. **Prieš naudodami patikrinkite, ar diskas nėra įtrūkęs arba pažeistas.** Nedelsdami pakeiskite įtrūkusį arba apgadintą diską. Ant disko esantys sukietėję sakai ar derva lėtina pjovimą ir didina atatrunkos pavojų. Jei valote diską, pirmiausia išimkite jį iš įrankio, tada nuvalykite sakų ir deros šalinimo priemone, karštu vandeniu ar žibalu. Niekada nenaudokite benzino diskui valyti.

10. Atliekant pjūvį slenkant, gali įvykti ATATRANKA. ATATRANKA įvyksta, kai pjaunant diskas įstringa ruošinyje, o pjūklas diskas greitai juda operatoriaus link. Galima nesuvaldyti įrankio ir sunkiai susižaloti. Jei pjaunant diskas pradėjo strigti, nebeįjunkite ir nedelsdami atleiskite jungiklį.
11. Naudokite tik šiam įrankiui skirtas junges.
12. Saugokitės, kad nepažeistumėte veleno, jungių (ypač montavimo paviršiaus) ar varžto. Pažeidus šias dalis diskas gali lūžti.
13. Įsitikinkite, ar sukiojamas pagrindas gerai pritvirtintas ir nejudės dirbant. Pagrinde esančias skylės naudokite pjūklui ant stabilios darbinės platformos arba suoliuko pritvirtinti. NIEKADA nenaudokite įrankio, jei operatoriaus padėtis nepatogi.
14. Prieš įjungdami jungiklį įsitikinkite, ar ašies fiksatorius neužfiksuotas.
15. Patikrinkite, ar diskas neličia sukiojamo pagrindo apačios.
16. Tvirtai laikykite rankenėlę. Saugokitės, nes pradėjus ar baigiant dirbti pjūklas truputį pajuda aukštyn arba žemyn.
17. Prieš įjungdami jungiklį patikrinkite, ar diskas neličia ruošinio.
18. Prieš naudodami įrankį su ruošiniu, leiskite jam kurį laiką veikti be apkrovos. Atkreipkite dėmesį į vibraciją arba kibėjimą – gali būti, kad įrankis netinkamai sumontuotas, arba diskas blogai subalansuotas.
19. Pastebėję ką nors neįprasto, tučtuojau nutraukite darbą.
20. Nemėginkite užfiksuoti gaiduko į padėtį „ON“ (įjungta).
21. Visada naudokite šioje instrukcijoje rekomenduojamus priedus. Naudojant netinkamus priedus, pvz., šlifavimo diskus, galima susižeisti.
22. Kai kuriose medžiagose gali būti nuodingų chemikalų. Saugokitės, kad neįkvėpumėte dulkių ir nesiliestumėte oda. Laikykites medžiagų tiekėjo saugos nurodymų.

Papildomos saugos taisyklės dirbant lazeriu

1. LAZERIO SPINDULIUOTĖ, NEŽIŪRĖKITE Į SPINDULĮ ILGAI AR TIESIOGIAI, NAUDODAMI OPTINIUS PRIETAISUS, 2M KLASĖS LAZERINIS GAMINYS.

SAUGOKITE ŠIAS INSTRUKCIJAS.

⚠PERSPĖJIMAS: NELEISKITE, kad patogumas ir gaminio pažinimas (įgyjamas pakartotinai naudojant) susilpnintų griežtą saugos taisyklių, taikytinų šiam gaminiui, laikymąsi. Dėl NETINKAMO NAUDOJIMO arba saugos taisyklių, kurios pateiktos šioje instrukcijoje, nesilaikymo galima rimtai susižeisti.

Svarbios saugos instrukcijos, taikomos akumulatoriaus kasetei

1. Prieš naudodami akumulatoriaus kasetę, perskaitykite visas instrukcijas ir perspėjimus ant (1) akumuliatorių įkroviklio, (2) akumuliatorių ir (3) akumuliatorių naudojančio gaminio.
2. Neardykite akumulatoriaus kasetės.
3. Jei įrankio darbo laikas žymiai sutrumpėjo, nedelsdami nutraukite darbą su įrankiu. Tai gali kelti perkaitimo, nudegimų ar net sprogmio pavojų.

4. Jei elektrolitas pateko į akis, plaukite jas tyru vandeniu ir nedelsdami kreipkitės į gydytoją. Gali kilti regėjimo praradimo pavojus.
5. Neužtrumpinkite akumulatoriaus kasetės:
 - (1) Nelieskite kontaktų degiomis medžiagomis.
 - (2) Venkite laikyti akumulatoriaus kasetę kartu su kitais metaliniais daiktais, pavyzdžiui, vinimis, monetomis ir pan.
 - (3) Saugokite akumulatoriaus kasetę nuo vandens ir lietaus.

Trumpasis jungimas akumulatoriuje gali sukelti stiprią srovę, perkaitimą, galimus nudegimus ar net akumulatoriaus gedimą.
6. Nelaikykite įrankio ir akumulatoriaus kasetės vietose, kur temperatūra gali pasiekti ar viršyti 50 °C.
7. Nedeginkite akumulatoriaus kasetės, net jei yra stipriai pažeista ar visiškai susidėvėjusi. Ugnyje akumulatoriaus kasetė gali sprogti.
8. Saugokite akumuliatorių nuo kritimo ir smūgių.
9. Nenaudokite pažeisto akumulatoriaus.
10. Įdėtomis ličio jonų akumulatoriams taikomi Pavojųjų prekių teisės akto reikalavimai.

Komercinis transportas, pvz., trečiųjų šalių, prekių vežimo atstovų, turi laikytis specialaus reikalavimo ant pakuotės ir ženklavimo.

Norėdami paruošti siųstiną prekę, pasitarkite su pavojujų medžiagų specialistu. Be to, laikykitės galimai išsamesnių nacionalinių reglamentų. Užklijuokite juosta arba padenkite atvirus kontaktus ir supakuokite akumuliatorių taip, kad ji pakuotėje nejudėtų.
11. Vadovaukitės vietos įstatymais dėl akumuliatorių išmetimo.
12. Baterijas naudokite tik su „Makita“ nurodytais gaminiais. Baterijas įdėjus į netinkamus gaminius gali kilti gaisras, gamins pernelyg kaisti, kilti sproginimas arba pratekėti elektrolitas.

SAUGOKITE ŠIAS INSTRUKCIJAS.

⚠PERSPĖJIMAS: Naudokite tik originalų „Makita“ akumuliatorių. Neoriginalaus „Makita“ arba pakeisto akumulatoriaus naudojimas gali nulemti gaisrą, asmens sužalojimą ir pažeidimą. Tai taip pat panaikina „Makita“ suteikiamą „Makita“ įrankio ir įkroviklio garantiją.

Patarimai, ką daryti, kad akumulatorius veiktų kuo ilgiau

1. Pakraukite akumulatoriaus kasetę prieš jai visiškai išsikraunant. Visuomet nustokite naudoti įrankį ir pakraukite akumulatoriaus kasetę, kai pastebite, kad įrankio galia sumažėjo.
2. Niekada nekraukite iki galo įkrautas akumulatoriaus kasetės. Perkraunant trumpėja akumulatoriaus eksploatacijos laikas.
3. Akumulatoriaus kasetę kraukite esant kambario temperatūrai 10 - 40 °C. Prieš pradėdami krauti, leiskite įkautusiai akumulatoriaus kasetei atvėsti.
4. Įkraukite akumulatoriaus kasetę, jei jos nenaudojate ilgą laiką (ilgiau nei šešis mėnesius).

Svarbios saugumo instrukcijos dėl belaidžio bloko

1. Neardykite ir nekeiskite belaidžio bloko.
2. Laikykite belaidį bloką vaikams nepasiekiamoje vietoje. Netyčia prarijus reikia nedelsiant kreiptis į medikus.
3. Naudokite belaidį bloką tik su „Makita“ įrankiais.
4. Saugokite belaidį bloką nuo lietaus ir nenaudokite jo esant drėgnoms oro sąlygoms.
5. Nenaudokite belaidžio bloko vietose, kur temperatūra viršija 50°C.
6. Nenaudokite belaidžio bloko netoli medicinos instrumentų, pavyzdžiui, širdies stimuliatorių.
7. Nenaudokite belaidžio bloko netoli automatinų prietaisų. Automatiniai prietaisai gali sugesti arba gali įvykti klaida.
8. Belaidis blokas gali sukurti elektromagnetinius laukus (EML), bet jie naudotojui nekenksmingi.
9. Belaidis blokas yra tikslusis instrumentas. Saugokite belaidį bloką nuo kritimo ir smūgių.
10. Nelieskite belaidžio bloko kontakto plikomis rankomis arba metaliniais įrankiais.
11. Įdėdami belaidį bloką visada išimkite įrankio akumuliatorių.
12. Atidarydami angos dangtelį venkite vietų, kur į ją gali patekti dulkių ir vandens. Anga visada turi būti švari.
13. Belaidį bloką visada dėkite reikiama kryptimi.
14. Per smarkiai nespauskite belaidžio aktyvinimo mygtuko ant belaidžio bloko, nespauskite jo aštriu daiktu.
15. Dirbdami visada uždarykite angos dangtelį.
16. Kai įrankiui tiekiamas maitinimas, niekada neimkite belaidžio bloko iš angos. Kitaip belaidis blokas gali sugesti.
17. Nenuimkite lipduko nuo belaidžio bloko.
18. Neklijuokite jokio lipduko ant belaidžio bloko.
19. Nepalikite belaidžio bloko ten, kur gali atsirasti statinis elektros krūvis arba elektrinis triukšmas.
20. Nepalikite belaidžio bloko karštoje vietoje, pavyzdžiui, automobilyje prieš saulę.
21. Nepalikite belaidžio bloko dulkėtoje ar miltuotoje vietoje arba ten, kur gali atsirasti išdinančiųjų dujų.
22. Nuo staigaus temperatūros pokyčio belaidis blokas gali aprasoti. Nenaudokite belaidžio bloko, kol rasa visiškai nenudžiūvo.
23. Norėdami nuvalyti belaidį bloką, švelniai pavalykite sausa minkšta šluoste. Nenaudokite benzino, skiediklio, laidaus tepalo ir panašių medžiagų.
24. Laikykite belaidį bloką pridėtame dėkle arba nuo statinio krūvio apsaugotoje taroje.
25. Nekiškite į įrankio angą jokių kitų prietaisų, išskyrus „Makita“ belaidį bloką.
26. Nenaudokite įrankio, kurio angos dangtelis pažeistas. Į angą patekęs vanduo, dulksė ir purvas gali jį sugadinti.
27. Netraukite ir (arba) nesukite angos dangtelio daugiau, nei reikia. Atstatykite dangtelį į vietą, jei jis nukrinta nuo įrankio.
28. Pakeiskite angos dangtelį, jei jo nėra arba jis pažeistas.

SAUGOKITE ŠIAS INSTRUKCIJAS.

DALIŲ APRAŠYMAS

► Pav.2

| | | | | | | | |
|----|---|----|---------------------------------------|----|--|----|--|
| 1 | Slankiojimo strypas | 2 | Fiksavimo smaigas (atramai slankioti) | 3 | Vertikalus spaustuvas | 4 | Atleidimo mygtukas (dešinės pusės įstrižam kampui) |
| 5 | Laikiklis | 6 | Sukiojamas pagrindas | 7 | Rodyklė (įžambiam kampui) | 8 | Įžambiojo kampo skalė |
| 9 | Prapjovimo plokštė | 10 | Disko aptvaras | 11 | Reguliavimo varžtas (lazerio spinduliui) | 12 | Intervalo reguliavimo varžtas (lazerio spinduliui) |
| 13 | Pjūklų disko apsauginis įtaisas | 14 | Rankenėlė (įstrižam kampui) | 15 | Šešiakampis veržliasukis | 16 | Reguliavimo varžtas (apatinė ribinė padėčiai) |
| 17 | Reguliavimo varžtas (didž. pjovimo pajėgumui) | 18 | Fiksavimo rankena | 19 | Akumuliatoriaus kasetė | 20 | Fiksuojamoji svirtis (sukiojamam pagrindui) |
| 21 | Atleidimo svirtis (sukiojamam pagrindui) | 22 | Rankena (sukiojamam pagrindui) | - | - | - | - |

► Pav.3

| | | | | | | | |
|----|---|----|---|----|-------------------------------------|----|--|
| 1 | Gaidukas | 2 | Atlaisvinimo mygtukas | 3 | Pakabinamos spynos anga | 4 | Dangtelis (belaidžiam blokui) (skirtas tik DLS111) |
| 5 | Jungiklis (lazerio spinduliui) (tik DLS111, DLS112) | 6 | Akumulatoriaus indikatorius | 7 | Režimo indikatorius | 8 | Tikrinimo mygtukas |
| 9 | Belaidžio aktyvinimo mygtukas | 10 | Belaidžio aktyvinimo lemputė | 11 | Žarna (dulkėms ištraukti) | 12 | Fiksavimo smaigas (atramai pakelti) |
| 13 | Kreipiamasis aptvaras (apatinis aptvaras) | 14 | Kreipiamasis aptvaras (viršutinis aptvaras) | 15 | Dulkių maišelis | 16 | 0° kampo reguliavimo varžtas (įstrižajam kampui) |
| 17 | Įstrižojo kampo skalė | 18 | Atleidimo svirtis (48° įstrižajam kampui) | 19 | Užrakto svirtis (įstrižajam kampui) | 20 | Rodyklė (įstrižajam kampui) |
| 21 | 45° kampo reguliavimo varžtas (įstrižajam kampui) | - | - | - | - | - | - |

SUMONTAVIMAS

Rankenos montavimas

Įsukite sriegiuotą rankenos veleną į sukiojamą pagrindą.

► **Pav.4:** 1. Rankena 2. Sukiojamas pagrindas

Dulkių ištraukimo žarnos tvirtinimas

Prijunkite dulkių ištraukimo žarną prie įrankio, kaip parodyta.

Įsitikinkite, kad alkūnė ir įvorė tinkamai įdėtos į įrankio angas.

► **Pav.5:** 1. Dulkių ištraukimo žarna 2. Alkūnė 3. Įvorė 4. Anga

Staklių montavimas

Įrankį transportuojant, jo rankenėlė fiksavimo smaigu užfiksuojama apačioje. Šiek tiek nuleisdami rankenėlę, patraukite fiksavimo smaigą ir sukite jį 90° kampui.

► **Pav.6:** 1. Užfiksuota padėtis 2. Atfiksuota padėtis 3. Fiksavimo smaigas

Šį įrankį reikia prisukti keturiais varžtais prie lygaus, stabilaus paviršiaus, įsukant juos į įrankio pagrinde varžtams padarytas skylės. Tai leis įrankiui pasvirti ir sukelti sužeidimo pavojų.

► **Pav.7:** 1. Varžtas

⚠️ PERSPĖJIMAS: Užtikrinkite, kad įrankis nejudėtų ant atraminio paviršiaus. Jei pjaunant kampinis pjūklas pajudės ant atraminio paviršiaus, galite nesuvaldyti įrankio ir sunkiai susižeisti.

VEIKIMO APRAŠYMAS

⚠️ PERSPĖJIMAS: Prieš pradėdami reguliuoti arba tikrinti įrankio veikimą, visuomet būtinai išjunkite įrankį ir išimkite akumulatoriaus kasetę. Neišjungus ir neišėmus akumulatoriaus kasetės, netyčia įjungus įrankį, galima sunkiai susižeisti.

Akumulatoriaus kasetės uždėjimas ir nuėmimas

⚠️ PERSPĖJIMAS: Prieš įdėdami arba išimdami akumulatoriaus kasetę, visada išjunkite įrankį.

⚠️ PERSPĖJIMAS: Įdėdami arba išimdami akumulatoriaus kasetę, tvirtai laikykite įrankį ir akumulatoriaus kasetę. Jeigu įrankį ir akumulatoriaus kasetę laikysite netvirtai, jie gali išslįsti iš jūsų rankų, todėl įrankis ir akumulatoriaus kasetė gali būti sugadinti, o naudotojas sužalotas.

► **Pav.8:** 1. Raudonas indikatorius 2. Mygtukas 3. Akumulatoriaus kasetė

Jei norite išimti akumulatoriaus kasetę, ištraukite ją iš įrankio, stumdami mygtuką, esantį kasetės priekyje.

Jei norite įdėti akumulatoriaus kasetę, sulygiuokite liežuvelį ant akumulatoriaus kasetės su grioveliu korpuse ir įstumkite jį į skirtą vietą. Įdėkite iki galo, kol spragtelėdama užsifiksuos. Jeigu matote raudoną indikatorių viršutinėje mygtuko pusėje, ji nėra visiškai užfiksuota.

⚠️ PERSPĖJIMAS: Akumulatoriaus kasetę visada įkiškite iki galo, kol nebematysite raudono indikatoriaus. Priešingu atveju ji gali atsitiktinai iškristi iš įrankio, sužeisti jus arba aplinkinius.

⚠️ PERSPĖJIMAS: Nekiškite akumulatoriaus kasetės jėga. Jeigu kasetė sunkiai lenda, ją kišate netinkamai.

PASTABA: Įrankis neveikia tik su viena akumulatoriaus kasete.


Įrankio / akumuliatoriaus apsaugos sistema

Įrankyje įrengta įrankio / akumuliatoriaus apsaugos sistema. Ši sistema automatiškai atjungia variklio maitinimą, kad įrankis ir akumuliatorius ilgiau veiktų. Įrankis automatiškai išsijungs darbo metu esant vienai iš toliau nurodytų įrankio arba akumuliatorių darbo sąlygų:

Apsauga nuo perkrovos

Kai įrankis naudojamas taip, kad neįprastai padidėja elektros srovė, įrankis automatiškai išsijungia be jokių indikatorių įspėjimų. Tokiu atveju atleiskite įrankio gaiduką ir nutraukite darbą, dėl kurio kilo įrankio perkrova. Po to vėl įjunkite įrankį.

Apsauga nuo perkaitimo

| ■ šviečia | ▣ blyksi |
|---|----------|
|  | |

Jeigu įrankis perkaista, automatiškai išsijungia ir maždaug 60 sekundžių žybcioja akumuliatoriaus indikatorius lemputė. Tokiu atveju palaukite, kol įrankis atvės, paskui vėl jį įjunkite.


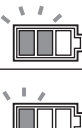
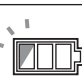

Apsauga nuo visiško išsikrovimo

Žymiai sumažėjus akumuliatoriaus galiai, įrankis automatiškai išsijungia. Jeigu gaminyne neveikia net ir spaudžiant jungiklius, išimkite akumuliatorių iš įrankio ir įkraukite.

Likusios akumuliatoriaus galios rodymas

► **Pav.9:** 1. Akumuliatoriaus indikatorius 2. Tikrinimo mygtukas

Paspauskite tikrinimo mygtuką, kad būtų rodoma likusi akumuliatoriaus energija. Akumuliatorių indikatorius parodo atitinkamo akumuliatoriaus galią.

| Akumuliatoriaus indikatorius būseną | | | Likusi akumuliatorių galia |
|---|-------------|----------|----------------------------|
| ■ Šviečia | □ Nešviečia | ▣ Blyksi | |
|  | | | 50–100 % |
|  | | | 20–50 % |
|  | | | 0–20 % |
|  | | | Įkraukite akumuliatorių |

Likusios akumuliatoriaus galios rodymas

Tik akumuliatoriaus kasetėms su indikatoriumi

► **Pav.10:** 1. Indikatorio lemputės 2. Tikrinimo mygtukas



Paspauskite akumuliatoriaus kasetės tikrinimo mygtuką, kad būtų rodoma likusi akumuliatoriaus energija. Maždaug trims sekundėms užsidegs indikatorius lemputės.

| Indikatorius lemputės | | | Likusi galia |
|-----------------------|-------------|----------|--|
| ■ Šviečia | □ Nešviečia | ▣ Blyksi | |
| ■ ■ ■ ■ | | | 75 - 100 % |
| ■ ■ ■ □ | | | 50 - 75 % |
| ■ ■ □ □ | | | 25 - 50 % |
| ■ □ □ □ | | | 0 - 25 % |
| ▣ □ □ □ | | | Įkraukite akumuliatorių. |
| ■ ■ □ □ | | ▣ | Galimai įvyko akumuliatoriaus veikimo triktis. |
| □ □ ■ ■ | | ▣ | |

PASTABA: Rodmuo gali šiek tiek skirtis nuo faktinės energijos lygio – tai priklauso nuo naudojimo sąlygų ir aplinkos temperatūros.

Automatinio greičio keitimo funkcija

► **Pav.11:** 1. Režimo indikatorius

| Režimo indikatorius būseną | | Veikimo režimas |
|---|-------------|--------------------------------|
| ● šviečia | ○ nešviečia | |
|  | | Didelio greičio režimas |
|  | | Didelio sukimo momento režimas |

Šis įrankis turi didelio greičio režimą ir didelio sukimo momento režimą. Jis automatiškai perjungia darbo režimą atsižvelgiant į darbo apkrovą. Kai dirbant užsidega režimo indikatorius lemputė, įrankis veikia didelio sukimo momento režimu.

Pjovimo disko apsauga

► **Pav.12:** 1. Pjovimo disko apsauga

Nuleidus rankenėlę, pjūklų disko apsauga pakyla automatiškai. Apsauginiame įtaise įrengta spyruoklė; baigus pjauti ir pakėlus rankenėlę, ji sugrąžina apsaugą į pradinę padėtį.

ĮSPĖJIMAS: Niekada neužblokuokite ir nenuimkite disko apsauginio įtaiso arba jį tvirtinančios spyruoklės. Užblokavus apsauginį įtaisą, dirbant galima sunkiai susižeisti neuždengtu disku.

Norėdami užsitikrinti saugumą, visada palaikykite gerą pjūklų disko apsaugos būklę. Jei apsaugos veikimas sutrinka, tai nedelsiant reikia pataisyti. Patikrinkite, ar spyruoklė gali sugražinti apsaugą į pradinę padėtį.

⚠️JSPĖJIMAS: Niekada nenaudokite įrankio, jei disko apsauginis įtaisas arba spyruoklė yra pažeisti, sugadinti arba nuimti. Naudojant įrankį su pažeistu arba nuimtu apsauginiu įtaisu, galima sunkiai susižeisti.

Jeigu permatomas pjūklų disko apsauginis įtaisas susitepa arba prie jo prilimpa pjuvenų ir negalima lengvai įžiūrėti pjūklų disko bei ruošinio, išimkite akumuliatorių ir kruopščiai nuvalykite apsauginį įtaisą drėgnu skudurėliu. Plastikinio apsauginio įtaiso negalima valyti tirpikliais arba naftos pagrindu pagamintais valikliais, nes šios medžiagos jį gali pažeisti.

Jeigu pjūklų disko apsauginis įtaisas ypač purvinas ir vaizdas pro jį pablogėjęs, išimkite akumuliatorių ir naudodami pateiktą veržliasukį atsukite šešiakampį varžtą, laikantį centrinį gaubtą. Atsukite šešiakampį varžtą, sukdami jį prieš laikrodžio rodyklę, pakelkite pjūklų disko apsauginį įtaisą ir centrinį gaubtą. Kai pjūklų disko apsauginis įtaisas yra nustatytas į šią padėtį, galima valyti kruopščiau ir efektyviau. Baigę valyti, atlikite veiksmus atvirkštine tvarka ir užveržkite varžtą. Nenuimkite pjūklų disko apsauginį įtaisą laikiančios spyruoklės. Jeigu laikui bėgant arba dėl ultravioletinių spindulių poveikio apsauginis įtaisas prarastų skaidrumą, kreipkitės į „Makita“ techninio aptarnavimo centrą.

NEIŠJUNKITE IR NENUIMKITE APSAUGINIO ĮTAISO.
▶ **Pav.13:** 1. Centrinis gaubtas 2. Šešiakampis veržliasukas 3. Pjūklų disko apsauginis įtaisas

Prapjovimo plokštės

Šio įrankio sukiojamame pagrinde įrengtos prapjovimo plokštės, kurios sumažina iki minimumo pjūvio išėjimo pusės plėšimą. Gamykloje nustatyta, kad pjūklų diskas nelieštų prapjovimo plokščių. Prieš naudodami sureguliuokite prapjovimo plokštes:

- ▶ **Pav.14:** 1. Prapjovimo plokštė
▶ **Pav.15:** 1. Kairysis įstrižasis pjūvis 2. Tiesusis pjūvis 3. Dešinysis įstrižasis pjūvis 4. Pjūklų diskas 5. Disko dantys 6. Prapjovimo plokštė

Pirmiausia išimkite akumuliatorių. Atlaisvinkite visus prapjovimo plokštes fiksuojančius varžtus (po 2 kairėje ir dešinėje), kad jas vis dar būtų galima lengvai judinti ranka. Visiškai nuleiskite rankenėlę, tada patraukite ir pasukite fiksuojamą smaigą bei užfiksuokite rankenėlę apačioje. Atleiskite fiksavimo smaigą ant slankiojo strypo, traukite atramą savęs link. Nustatykite prapjovimo plokštes taip, kad jos liestų pjūklų disko dantų šonus. Užsukite priekinius varžtus (bet tvirtai neužveržkite jų). Stumkite atramą kreipiamojo aptvaro link ir nustatykite prapjovimo plokštes taip, kad jos liestų pjūklų disko dantų šonus. Užsukite galinius varžtus (bet tvirtai neužveržkite jų).

Nustatę prapjovimo plokštes, ištraukite fiksavimo smaigą ir pakelkite rankenėlę. Tada tvirtai užveržkite visus varžtus.

PASTABA: Nustatę įstrižą kampa būtinai patikrinkite, ar tinkamai nustatytos prapjovimo plokštės. Tinkamai nustačius prapjovimo plokštes, ruošinys bus tvirtai atremtas ir visiškai sumažės galimybė jį išplėsti.

Maksimalaus pjovimo pajėgumo palaikymas

Šis įrankis gamykloje nustatytas maksimaliam pjovimo pajėgumui naudojant 260 mm pjūklų diską.

Montuodami naują pjovimo diską, visada patikrinkite apatinę ribinę disko padėtį ir, jeigu reikia, pareguliuokite ją tokiu būdu:

Pirmiausia išimkite akumuliatorių. Pasukite fiksavimo svirtelę į fiksavimo padėtį.

- ▶ **Pav.16:** 1. Fiksavimo svirtelė

Stumkite atramą kreipiamojo aptvaro link ir visiškai nuleiskite rankenėlę. Sureguliuokite diską sukdami reguliavimo varžą šešiakampių veržliasukiu. Disko pakraštys turėtų šiek tiek nusitęsti už sukiojamojo pagrindo viršutinio paviršiaus ir siekti vietą, kur kreipiamojo aptvaro priekinė pusė susiduria su sukiojamojo pagrindo viršumi.

- ▶ **Pav.17:** 1. Reguliavimo varžtas

- ▶ **Pav.18:** 1. Sukiojamo pagrindo viršutinis paviršius 2. Pjovimo disko kraštas 3. Kreipiamasis aptvaras

Išėmę akumuliatorių, ranka sukite pjūklų diską, laikydami visiškai nuspaustą rankenėlę, kad patikrintumėte, ar pjūklų diskas neliečia jokios apatiniam pagrindu esančios dalies. Jeigu reikia, dar truputį pareguliuokite. Nustatę, sugražinkite fiksavimo svirtį į pradinę padėtį.

⚠️JSPĖJIMAS: Sumontavę naują pjūklų diską ir išėmę akumuliatorių, patikrinkite, ar visiškai nuleidus rankenėlę pjūklų diskas neliečia jokios apatiniam pagrindu esančios dalies. Jeigu diskas liečia pagrindą, gresia atotrūkimas, galinti sukelti sunkių sužalojimų.

Fiksavimo rankena

Apatinę ribinę pjūklų disko padėtį galima lengvai nustatyti, naudojant fiksavimo rankeną. Norėdami ją nustatyti, sukite fiksavimo rankeną rodyklės kryptimi, kaip parodyta piešinyje. Sukite reguliavimo varžtą taip, kad visiškai nuleidus rankenėlę, pjūklų diskas sustotų norimoje padėtyje.

- ▶ **Pav.19:** 1. Fiksavimo rankena 2. Reguliavimo varžtas

Įžambaus kampo nustatymas

⚠️PERSPĖJIMAS: Pakeitę įžambųjį kampa, visuomet užtvirtinkite sukiojamą pagrindą, tvirtai užverždami rankeną.

PASTABA: Sukant sukiojamą pagrindą, rankenėlė turi būti iki galo pakelta.

- ▶ **Pav.20:** 1. Fiksavimo svirtis 2. Rankena 3. Atlaisvinimo svirtelė 4. Rodyklė

Sukite rankeną, užtvirtinančią sukiojamą pagrindą, prieš laikrodžio rodyklę. Sukite rankeną ir tuo pačiu metu laikykite fiksavimo svirtelę, kad būtų galima judinti sukiojamą pagrindą. Sulygiuokite rodyklę pagal pageidaujama kampa skalėje, tada užveržkite rankeną.

PASTABA: Jei nuspausite atleidimo svirtelę, galėsite judinti sukiojamą pagrindą nenuspaudę fiksavimo svirtelės. Nustatę norimą padėtį, priveržkite rankeną.

Šis įžambiojo pjovimo pjūklas naudoja teigiamo kampo fiksavimo funkciją. Galite greitai nustatyti 0°, 15°, 22,5°, 31,6°, 45° ir 60° dešinįjį / kairinį įžambųjį kampą. Norėdami naudoti šią funkciją, stumkite sukiojamą pagrindą kuo arčiau pageidaujamo teigiamo užfiksavimo kampo, laikydami fiksavimo svirtelę nuleista. Tada atleiskite fiksavimo svirtelę ir stumkite sukiojamą pagrindą pirmyn, kol jis užsifiksuos.

Įstrižo kampo nustatymas

PASTABA: Prieš reguliuodami įstrižąjį kampą, visada nuimkite viršutinius kreipiamuosius aptvarus ir vertikalų spaustuva.

PASTABA: Keisdami įstrižuosius kampus, atitinkamai nustatykite prapjovimo plokštes, kaip paaiškinta skyriuje „Prapjovimo plokštės“.

PASTABA: Pakreipiant pjūklą diską, rankenėlė turi būti visiškai pakelta.

PASTABA: Neprispauskite rankenėlės per smarkiai. Kitaip įstrižo kampo fiksavimo mechanizmas gali sugesti.

1. Sukite rankenėlę ant slankiojo strypo prieš laikrodžio rodyklę.

► **Pav.21:** 1. Rankenėlė

2. Patraukite ir sukite užrakto svirtį į parodytą padėtį.

► **Pav.22:** 1. Užrakto svirtis

3. Sutapdinkite rodyklę pagal pageidaujamą kampą skalėje, tada rankenėlę užveržkite.

► **Pav.23:** 1. Įstrižojo kampo skalė 2. Rodyklė

Norėdami pakreipti atramą į dešinę, jį šiek tiek pakreipkite kairėn, tada – dešinėn, tuo pačiu metu spausdami atlaisvinimo mygtuką.

► **Pav.24:** 1. Atlaisvinimo mygtukas

Norėdami atlikti didesnį nei 45° kampo įstrižąjį pjūvį, stumkite atramą, tuo pačiu metu slinkdami atlaisvinimo svirtelę įrankio priekio link. Galite atlikti iki 48° įstrižąjį pjūvį.

► **Pav.25:** 1. Atlaisvinimo svirtelė

Šis įžambiojo pjovimo pjūklas naudoja teigiamo kampo fiksavimo funkciją. Greitai galite nustatyti 22,5° ir 33,9° kampą į dešinę, ir kairėje. Nustatykite užrakto svirtį į parodytą padėtį ir kreipkite atramą. Norėdami pakeisti kampą, traukite užrakto svirtį ir pakreipkite atramą.

► **Pav.26:** 1. Užrakto svirtis

⚠PERSPĖJIMAS: Pakeitę įžambųjį kampą, užfiksukite rankenėlę.

Slankusis fiksatorius

Norėdami, kad atrama neslankiotų, spauskite ją kreipiamąjį aptvaro link, kol ji sustos. Patraukite fiksavimo smaigą ir sukite jį 90° kampu.

► **Pav.27:** 1. Atfiksauta padėtis 2. Užfiksauta padėtis 3. Fiksavimo smaigas

Jungiklio veikimas

⚠JSPĖJIMAS: Prieš įdėdami akumuliatorius į įrankį, visuomet patikrinkite, ar gaiduko mygtukas gerai veikia, o atleistas grįžta į išjungimo padėtį „OFF“. Negalima stipriai spausti gaiduko, nenuspaudus atlaisvinimo mygtuko. Taip galima sugadinti jungiklį. Naudojant įrankį, kurio gaidukas netinkamai veikia, galima jo nesuvaldyti ir sunkiai susižeisti.

⚠JSPĖJIMAS: NIEKADA nenaudokite įrankio, jei jo svirtinis jungiklis veikia netinkamai. Bet koks įrankis, kurio jungiklis neveikia, yra NEPAPRASTAI PAVOJINGAS; prieš toliau naudodami tokį įrankį, būtinai jį pataisykite, kitaip galite sunkiai susižeisti.

⚠JSPĖJIMAS: NIEKADA neužklijuokite atlaisvinimo mygtuko lipnia juostele ir nepanaikinkite jo funkcijos kitomis priemonėmis. Jungiklis su užblokuotu atlaisvinimo mygtuku gali netyčia įjungti įrankį ir operatorius gali būti sunkiai sužeistas.

⚠JSPĖJIMAS: NIEKADA nenaudokite įrankio, jei jis veikia nuspaudus tik gaiduką, tačiau nenuspaudus atlaisvinimo mygtuko. Jungiklis, kurį reikia taisyti, gali netyčia įjungti įrankį ir operatorius gali būti sunkiai sužeistas. PRIEŠ pradėdami vėl naudoti įrankį, atiduokite jį suremontuoti į „Makita“ techninės priežiūros centrą.

► **Pav.28:** 1. Gaidukas 2. Atlaisvinimo mygtukas 3. Pakabinamos spynos anga

Atlaisvinimo mygtukas neleidžia atsitiktinai paspausti gaiduko. Jei norite įjungti įrankį, paspauskite fiksavimo svirtelę, tada patraukite gaiduką. Atleiskite gaiduką, jeigu norite sustabdyti įrankį. Gaiduke yra anga pakabinamai spynai, skirtai įrankiui užrakinti.

⚠JSPĖJIMAS: Nenaudokite fiksatoriaus su jungiamuoju galu arba kabeliu, jei jo skersmuo yra mažesnis nei 6,35 mm (1/4"). Mažesnis jungiamasis galas arba kabelis gali netinkamai užfiksuoti įrankį į išjungimo padėtį, todėl netyčia įjungus įrankį galima sunkiai susižeisti.

Elektroninė funkcija

Nuolatinis greičio reguliavimas

Šiame įrankyje įrengta elektroninio greičio valdymo funkcija, padedanti palaikyti tolygų disko sukimosi greitį net ir tada, kai įrankis veikia su apkrova. Tolygus disko sukimosi greitis užtikrina sklandų pjovimą.

Tolygaus įjungimo funkcija

Ši funkcija leidžia sklandžiai paleisti įrankį, apriboja sukimo momentą paleidžiant.

Lazerio spindulio veikimas

Tik DLS111, DLS112

⚠PERSPĖJIMAS: Niekada nežiūrėkite į lazerio spindulį. Tiesioginis lazerio spindulys gali pažeisti akis.

Norėdami įjungti lazerio spindulį, spauskite jungiklio viršutinę dalį (I). Norėdami išjungti lazerio spindulį, spauskite apatinę jungiklio dalį (0).

► Pav.29: 1. Jungiklis lazeriu

Lazerio liniją galima nustatyti iš pjūklo disko kairės arba dešinės pusės, nurodytu būdu sukant reguliavimo varžtą.

► Pav.30: 1. Reguliavimo varžtas

1. Atlaisvinkite reguliavimo varžtą, sukdami jį prieš laikrodžio rodyklę.
2. Atleide reguliavimo varžtą, slinkite jį į dešinę arba kairę tiek, kiek galima.
3. Tvirtai užveržkite reguliavimo varžtą į tokią padėtį, kad jis daugiau nesislinktų.

PASTABA: Lazerio spindulys gamykloje nustatytas 1 mm atstumu nuo disko šoninio paviršiaus (pjovimo padėtis).

PASTABA: Kai lazerio spindulys neryškus ir prastai matomas dėl tiesioginių saulės spindulių, pasirinkite darbo vietą, neapšviestą tiesioginių saulės spindulių.

Lazerio spindulio sulygiavimas

Sulygiuokite ant ruošinio pažymėtą pjovimo liniją su lazerio spinduliu.

► Pav.31

- A) Kai norite išgauti tinkamą dydį ruošinio kairėje pusėje, paslinkite lazerio spindulį disko kairėn.
B) Kai norite išgauti tinkamą dydį ruošinio dešinėje pusėje, paslinkite lazerio spindulį disko dešinėn.

PASTABA: Kombinuotajam pjovimui, sulygiuodami pjovimo liniją su lazerio spinduliu, atremkite ruošinį į kreipiamąjį aptvarą (įstrižasis kampas – 45°, šlifavimo kampas iš dešinės – 45°).

SURINKIMAS

▲JSPĖJIMAS: Prieš pradėdami dirbti su įrankiu, visuomet būtinai jį išjunkite ir išimkite akumulatoriaus kasetę. Neišjungus įrankio ir neišėmus akumulatoriaus kasetės, netyčia įjungus įrankį galima sunkiai susižeisti.

Šešiabriaunio veržliarakčio laikymas

Nenaudojamą šešiabriaunį veržliarakčių laikykite taip, kaip parodyta paveikslėlyje, kad nepažeistumėte.

► Pav.32: 1. Šešiakampis veržliaraktis

Pjūklo disko montavimas arba nuėmimas

▲JSPĖJIMAS: Prieš montuodami arba nuimdami diską, visuomet būtinai išjunkite įrankį ir išimkite akumulatoriaus kasetę. Netyčia paleidus įrankį, galima sunkiai susižeisti.

▲JSPĖJIMAS: Diskui montuoti arba nuimti naudokite tik „Makita“ veržliasukį. Jeigu nenaudoosite veržliasukio, galite paveržti arba nepakankamai priveržti šešiakampių lizdinių galvūčių varžtą; dėl to galite būti sunkiai sužaloti.

Nuimdami ir montuodami diską, visada fiksukite atramą į pakeltą padėtį. Patraukite fiksavimo smaigą ir sukite jį 90° kampu su pakelta atrama.

► Pav.33: 1. Atfiksuoja padėtis 2. Užfiksuoja padėtis 3. Fiksavimo smaigas

Disko nuėmimas

Šešiakampių veržliasukiu atlaisvinkite šešiakampių lizdinių galvūčių varžtus, laiknčius centrinį gaubtą. Pakelkite disko apsaugą ir atidėkite centrinį gaubtą.

► Pav.34: 1. Centrinis gaubtas 2. Šešiakampis veržliasukis 3. Pjūklo disko apsauginis įtaisas

Norėdami užfiksuoti veleną, įspauskite ašies fiksatorių, šešiakampių veržliasukiu atlaisvinkite varžtą šešiakampe galvute. Tada ištraukite varžtą šešiakampe galvute, nuimkite išorinę jungę ir diską.

► Pav.35: 1. Ašies fiksatorius 2. Šešiakampis veržliasukis 3. Šešiakampių lizdinių galvūčių varžtas (kairysis) 4. Atlaisvinti 5. Priveržti

Disko montavimas

Atsargiai uždėkite diską ant veleno patikrindami, ar ant disko paviršiaus pažymėtos rodyklės kryptis sutampa su ant disko gaubto pažymėtos rodyklės kryptimi.

► Pav.36: 1. Rodyklė ant disko gaubto 2. Rodyklė ant disko

Sumontuokite išorinę jungę ir šešiakampių lizdinių galvūčių varžtą. Šešiakampių veržliasukiu sukite šešiakampių lizdinių galvūčių varžtą prieš laikrodžio rodyklę, spausdami ašies fiksatorių.

► Pav.37: 1. Šešiakampių lizdinių galvūčių varžtas 2. Išorinė jungė 3. Pjovimo diskas 4. Vidinė jungė 5. Velenas 6. Žiedas

PASTABA: Jeigu nuėmėte vidinę jungę, būtinai vėl ją uždėkite ant veleno, jos iškyšą nukreipkite atokiai nuo disko. Jeigu jungę sumontuosite netinkamai, ji trinsis į stakles.

Gražinkite pjūklo disko apsauginį įtaisą ir centrinį gaubtą į jų pradines padėtis. Tada tvirtai užveržkite šešiakampį varžtą, laikantį centrinį gaubtą, sukdami pagal laikrodžio rodyklę. Atfiksukite fiksavimo smaigą, kad atrama būtų atlaisvinta iš pakeltos padėties. Norėdami įsitikinti, ar pjūklo disko apsauginis įtaisas juda tinkamai, nuleiskite rankenėlę. Prieš pradėdami pjauti patikrinkite, ar ašies fiksatorius atlaisvino ašį.

▲JSPĖJIMAS: Prieš uždėdami diską ant veleno visada patikrinkite, ar tarp vidinės ir išorinės jungių uždėtas pasirinktam darbui tinkamas žiedas, skirtas disko ašies skylei. Naudojant netinkamo skersmens veleno angai skirtą žiedą, diskas gali būti sumontuotas netinkamai, būti per laisvas ir stipriai vibruoti, todėl galima nesuvaldyti įrankio ir sunkiai susižaloti.

Dulkių siurblio prijungimas

Jei norite pjauti užtikrindami švarą, prie įrankio prijunkite „Makita“ dulkių siurbį – ties 24 priekiniais antgaliais (papildomas priedas) naudodami dulkių ištraukimo antgalį.

► Pav.38: 1. 24 priekiniai antgaliai 2. Žarna 3. Dulkių siurblys

Dulkių surinkimo maišelis

Naudojant dulkių maišelį, pjovimo darbai yra švarūs, o dulkes lengva surinkti. Norėdami pritrinti dulkių maišelį, nuimkite dulkių ištraukimo žarną nuo įrankio ir prijunkite dulkių maišelį.

► **Pav.39:** 1. Dulkių ištraukimo žarna 2. Dulkių maišelis

Kai dulkių maišelis pripildomas maždaug iki pusės, nuimkite jį nuo įrankio ir ištraukite tvirtinimo elementą. Išpilkite maišelio turinį, lengvai jį patapšnodami, kad nukristų visos prie vidinių sienelių prilipusios dalelės, galinčios kliudyti toliau rinkti dulkes.

► **Pav.40:** 1. Tvirtinimo elementas

Ruošinio pritrinimas

▲JSPĖJIMAS: Nepaprastai svarbu visada tinkamai įtvirtinti ruošinį, naudojant tinkamas rūšies spaustuvus arba specialius tvirtinimo elementus. Nesilaikant šio nurodymo, galima sunkiai susižeisti ir sugadinti įrankį ir (arba) ruošinį.

▲JSPĖJIMAS: Baigę pjauti neatkelkite pjūklo disko, kol jis visiškai nesustos. Atkėlus besisukantį diską, galima sunkiai susižeisti ir sugadinti ruošinį.

▲JSPĖJIMAS: Pjaunant ruošinį, ilgesnį už atraminį pjovimo įrankio pagrindą, jį reikia atramti per visą jo ilgį, esantį už atraminio pagrindo, tame pačiame aukštyje, kad ruošinys būtų horizontalus. Tinkama ruošinio atrama padės išvengti disko suspaudimo ruošinyje ir galimos atatrankos, galinčios lemti sunkius sužeidimus. Norėdami pritrinti ruošinį, nepasikliaukite vien tik vertikaliais ir (arba) horizontaliais spaustuvais. Plonas ruošinys gali įlįkti. Norėdami išvengti pjūklo disko sužnybimo ir galimos ATATRANKOS, paremkite ruošinį per visą jo ilgį.

► **Pav.41:** 1. Atrama 2. Sukiojamas pagrindas

Kreipiamieji aptvarai

▲JSPĖJIMAS: Prieš pradėdami naudoti įrankį, patikrinkite, ar tvirtai užtvirtintas viršutinis aptvaras.

▲JSPĖJIMAS: Prieš pradėdami įstrizajį pjovimą, patikrinkite, ar visiškai nuleidus ir keliant rankenėlę į bet kokią padėtį ir iki galo traukiant arba stumiant atramą, įrankio dalys neliečia vienos kitų, ypač disko. Jeigu įrankis arba diskas liečia aptvarą, gali įvykti atatranka, arba ruošinys gali netikėtai pasislinkti ir sunkiai sužaloti operatorių.

Naudokite viršutinius aptvarus medžiagai, esančiai aukščiau apatinių aptvarų, prilaikyti. Įstatykite viršutinį aptvarą į kiaušymę apatiniam aptvare ir užveržkite suveržimo varžtą.

► **Pav.42:** 1. Viršutinis aptvaras 2. Apatinis aptvaras 3. Suveržimo varžtas 4. Reguliavimo varžtas

PASTABA: Apatiniai aptvarai prie pagrindo fiksuojami gamykloje. Nenuimkite apatinių aptvarų.

PASTABA: Jei užveržus suveržimo varžtą viršutinis aptvaras vis dar nefiksuojamas, sukite reguliavimo varžtą ir uždarykite tarpą. Reguliavimo varžtas sureguliuotas gamykloje. Kol nereikia, jo nenaudokite.

Nenaudojamus viršutinius aptvarus galite laikyti ant laikiklio. Ant viršutinio aptvaro esančiu spaustuku užkabinkite jį ant laikiklio.

► **Pav.43:** 1. Laikiklis 2. Viršutinis aptvaras 3. Spaustukas

Vertikalus spaustuvas

▲JSPĖJIMAS: Atliekant bet kokius veiksmus, ruošinys turi būti gerai pritrirtintas prie sukamojo pagrindo ir kreipiamojo aptvaro spaustuvais.

Jeigu ruošinys nėra tinkamai pritrirtintas prie kreiptuvo, pjaunant jis gali pasislinkti ir galbūt sugadinti diską, o šis – nusviesti ruošinį, todėl galima nesuvaldyti įrankio ir sunkiai susižeisti.

► **Pav.44:** 1. Spaustuvo rankena 2. Spaustuvo strypas 3. Suveržimo varžtas 4. Spaustuvo rankena

Vertikalius spaustuvus galima montuoti į dvi padėtis: kairėje arba dešinėje pagrindo pusėje. Įkiškite spaustuvo strypą į pagrindę esančią kiaušymę.

Nustatykite spaustuvo rankeną pagal ruošinio storį ir formą ir įtvirtinkite ją verždami varžtą. Jeigu suveržimo varžtas liečia atramą, jį priveržkite priešingoje spaustuvo rankenos pusėje. Patikrinkite, ar visiškai nuleidus rankenėlę jokia įrankio dalis nesiliečia prie spaustuvo. Jeigu kokia nors dalis liečia spaustuva, pakeiskite spaustuvo padėtį.

Prispauskite ruošinį prie kreiptuvo ir pasukite pagrindą. Nustatykite ruošinį į norimą pjovimo padėtį ir užtvirtinkite jį, tvirtai užverždami spaustuvo rankeną.

PASTABA: Norėdami greitai nustatyti ruošinį, sukite spaustuvo rankeną 90° kampu prieš laikrodžio rodyklę – taip ją galėsite judinti aukštyrį ir žemyn. Nustačius ruošinį, norėdami jį įtvirtinti, pasukite spaustuvo rankenėlę pagal laikrodžio rodyklę.

Horizontalus spaustuvas

Pasirenkamas priedas

▲JSPĖJIMAS: Visada sukite spaustuvo veržlę pagal laikrodžio rodyklę, kol ruošinys bus tinkamai įtvirtintas. Jeigu ruošinys nėra tinkamai įtvirtintas, pjaunant jis gali pasislinkti ir galbūt sugadinti diską, o šis – nusviesti ruošinį; dėl to galima nesuvaldyti įrankio ir sunkiai susižeisti.

▲JSPĖJIMAS: Pjaudami ilgus, plonus ruošinius (pvz., grindjuostas), atrėmę juos į kreiptuvą, visada naudokite horizontalius spaustuvus.

Horizontalų spaustuva galima sumontuoti į dvi padėtis: kairėje arba dešinėje pagrindo pusėje. Atlikdami 22,5° arba didesnio kampo įžambųjį pjovimą, sumontuokite horizontalų spaustuva priešingoje pusėje nei ta, į kurią ketinama sukti sukiojamą pagrindą.

► **Pav.45:** 1. Spaustuvo plokštė 2. Spaustuvo veržlė 3. Spaustuvo rankena

Pasukant spaustuvo veržlę prieš laikrodžio rodyklę, jie atleidžiami ir greitai juda pirmyn atgal. Norėdami suspausti ruošinį, stumkite spaustuvo rankenėlę į priekį, kol spaustuvo plokštėle palies ruošinį, tada sukite spaustuvo veržlę pagal laikrodžio rodyklę. Tada sukite spaustuvo rankeną pagal laikrodžio rodyklę, kad užtvirtintumėte ruošinį.

PASTABA: Horizontaliu spaustuvu galima suspausti ruošinį, kurio didžiausias plotis 228 mm.

Laikikliai

⚠️ JSPĖJIMAS: Norėdami, kad pjūvis būtų tikslus, ir siekdami apsisaugoti nuo pavojingo įrankio kontrolės praradimo, ilgus ruošinius visada atremkite, kad jie būtų horizontalūs sukiojamo pagrindo viršutiniams paviršiumi. Tinkama ruošinio atrama padės išvengti disko suspaudimo ruošinyje ir galimos atatrankos, galinčios lemti sunkius sužeidimus.

Abiejose įrankio pusėse yra laikikliai, jie reikalingi, kad ilgi ruošiniai būtų laikomi horizontaliai. Atlaisvinkite varžtus ir iššukite laikiklius iki ilgio, tinkamo ruošiniui prilaikyti. Tada užveržkite varžtus.

► **Pav.46:** 1. Laikiklis 2. Varžtas

NAUDOJIMAS

⚠️ JSPĖJIMAS: Prieš įjungdami įrankį įsitinkite, ar diskas neličia ruošinio ir pan. Įjungus įrankį, kai jo diskas liečia ruošinį, gali įvykti atatranka ir galima sunkiai susižeisti.

⚠️ JSPĖJIMAS: Pabaigę pjauti, neatkelkite pjovimo disko tol, kol jis visiškai nustos. Atkėlus besisukantį diską, galima sunkiai susižeisti ir sugadinti ruošinį.

⚠️ JSPĖJIMAS: Kol diskas sukasi, neatlikite jokių reguliavimo darbų, pvz., nesukite rankenos, rankenėlės ir įrankio svirčių. Reguluojant, kol diskas sukasi, galima sunkiai susižaloti.

PASTABA: Prieš naudodami būtinai atfiksukite fiksavimo smaigą ir atleiskite rankenėlę iš nuleistos padėties.

PASTABA: Pjaudami per daug nespauskite rankenėlės. Per didelė jėga gali sukelti variklio perkrovą ir (arba) sumažinti pjovimo efektyvumą. Spauskite rankenėlę žemyn tik tokia jėga, kokios reikia sklandžiai pjauti, ir smarkiai nedidinkite disko sukimosi greičio.

PASTABA: Norėdami atlikti pjūvį, atsargiai nuspauskite rankenėlę žemyn. Jeigu nuspausite rankenėlę jėga arba naudosite šoninę jėgą, diskas pradės vibruoti ir paliks ant ruošinio žymes (pjovimo žymes), todėl pjūvio tikslumas bus prastas.

PASTABA: Atlikdami slenkamą pjūvį atsargiai nesustodami stumkite atramą kreiptuvo link. Jeigu pjaunant atramos judėjimas sustabdomas, ant ruošinio liks žymė ir pjūvis bus netikslus.

Pjovimas, naudojant spaudimą

⚠️ JSPĖJIMAS: Kai pjaunate spausdami, užfiksukite apsaugą, kad ji negalėtų slankioti. Pjaunant be užrakto gali įvykti atatranka, galinti lemti sunkių sužalojimų.

68 mm aukščio ir 160 mm pločio ruošinius galima pjauti tokiu būdu.

► **Pav.47:** 1. Fiksavimo smaigas

1. Spauskite atramą kreiptuvo kreiptuvo link, kol jis sustos, tada jį užfiksukite fiksavimo smaigu.
2. Nuspauskite ruošinį tinkamos rūšies spaustuvais.
3. Įjunkite įrankį (pjovimo diskas neturi liesti ruošinio) ir, prieš nuleisdami diską, palaukite, kol jis pradės sukintis visu greičiu.
4. Po to atsargiai iki galo žemyn nuleiskite rankenėlę ir pradėkite pjauti ruošinį.
5. Baigę pjauti, išjunkite įrankį ir, prieš grąžindami diską į viršutinę padėtį, palaukite, kol jis visiškai nustos sukintis.

Pjovimas slenkant (stumiant) ruošinį (plačių ruošinių pjovimas)

⚠️ JSPĖJIMAS: Atlikdami pjovimą slenkant, pirmiausia iki galo patraukite suportą savęs link ir nuspauskite rankenėlę į žemiausią padėtį, po to stumkite suportą kreiptuvo link. Niekada nepradėkite pjauti iki galo nepatraukę suporto savęs link. Jeigu pradėsite pjauti iki galo nepatraukę suporto savęs link, gali įvykti atatranka, kuri gali sąlygoti sunkų sužeidimą.

⚠️ JSPĖJIMAS: Niekada nebandykite atlikti pjūvį slinkdami, traukdami suportą savęs link. Pjovimo metu traukiant suportą savęs link, gali netikėtai įvykti atatranka, kuri gali sąlygoti sunkų sužeidimą.

⚠️ JSPĖJIMAS: Niekada nepjaukite slinkdami, jeigu rankenėlė užfiksuoata žemiausioje padėtyje.

► **Pav.48:** 1. Fiksavimo smaigas

1. Atlaisvinkite fiksavimo smaigą, kad galėtumėte lengvai slinkti atramą.
2. Nuspauskite ruošinį tinkamos rūšies spaustuvais.
3. Iki galo savęs link patraukite suportą.
4. Įjunkite įrankį (pjovimo diskas neturi liesti ruošinio) ir palaukite, kol jis pradės sukintis visu greičiu.
5. Nuspauskite rankenėlę ir stumkite suportą kreiptuvo link ir pjaukite ruošinį.
6. Baigę pjauti, išjunkite įrankį ir, prieš grąžindami diską į viršutinę padėtį, palaukite, kol jis visiškai nustos sukintis.

Įžambus pjovimas

Žr. anksčiau aprašytą skyrių „Įžambaus kampo nustatymas“.

Istrižasis pjovimas

▲ JSPĖJIMAS: Nustatę diską įstrižajam pjūviui, prieš naudodami įrankį visada patikrinkite, ar atrama ir pjūklo diskas nevaržomai juda visose pjūvio ribose. Jeigu pjaunant atramos arba disko judėjimas bus sutrikdytas, gali įvykti atatranka, galinti sukelti sunkių sužalojimų.

▲ JSPĖJIMAS: Atlikdami įstrižuosius pjūvius, laikykite rankas atokiai nuo disko judėjimo kelio. Diskas gali judėti kitokiai nei įprasta kampu ir supainioti operatorių, o prisilietus prie pjovimo disko, galima sunkiai susižeisti.

▲ JSPĖJIMAS: Pjovimo disko negalima atkelti tol, kol jis visiškai nesustos. Atliekant įstrižą pjūvį, nupjautoji ruošinio dalis gali atsiremti į diską. Jeigu diskas pakeliamas, kai dar sukasi, jis gali sviesti nupjautą dalį ir suskaldyti medžiagą į atplaišas, kurios gali sunkiai sužeisti.

PASTABA: Nuspausdami rankenėlę žemyn, kartu spauskite ir pjūklo diską. Jeigu jėga naudojama statmenai sukiojamam pagrindui arba jeigu spaudimo kryptis pjaunant pasikeičia, pjūvis bus netikslus.

► Pav.49

1. Nuimkite viršutinį aptvarą toje pusėje, kur ketinate pakreipti atramą.
2. Atfiksukite fiksavimo smaigą.
3. Sureguliuokite įstrižąjį kampą, laikydamiesi skyriuje „Istrižojo kampo reguliavimas“ paaiškintose procedūrose. Tada užveržkite rankenėlę.
4. Suspauskite ruošinį spautuvais.
5. Iki galo savęs link patraukite suportą.
6. Įjunkite įrankį (pjovimo diskas neturi liesti ruošinio) ir palaukite, kol jis pradės sukintis visu greičiu.
7. Atsargiai nuleiskite rankenėlę į žemiausią padėtį, tuo pačiu metu lygiagrečiai spausdami pjovimo diską ir norėdami pradėti pjauti ruošinį, stumkite suportą kreiptuvo link.
8. Baigę pjauti, išjunkite įrankį ir, prieš grąžindami diską į viršutinę padėtį, palaukite, kol jis visiškai nustos sukintis.

Kombinuotasis pjovimas

Kombinuotasis pjovimas – tai procesas, kai ruošinys tuo pačiu metu pjaunamas įstrižu ir įžambiu kampais. Kombinuotąjį pjovimą galima atlikti lentelėje nurodytais kampais.

| Nuožulnus kampas | Įstrižasis kampas |
|-------------------------------------|-------------------------------------|
| Kairėje ir dešinėje 0° – 45° kampas | Kairėje ir dešinėje 0° – 45° kampas |

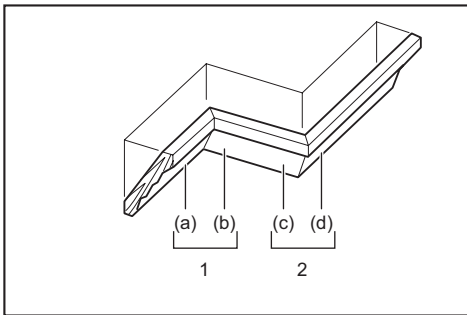
Atlikdami kombinuotąjį pjovimą, žr. paaiškinimus skyriuose „Pjovimas, naudojant spaudimą“, „Pjovimas slenkant (stumiant)“, „Įžambus pjovimas“ ir „Istrižasis pjovimas“.

Dekoratyviųjų ir skliautinių karnizų pjovimas

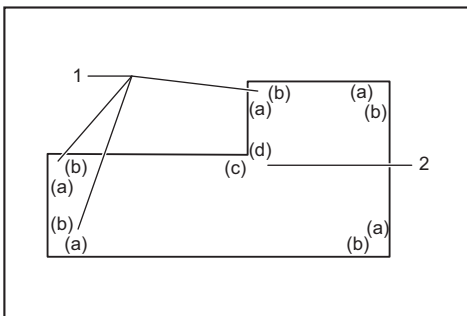
Dekoratyviuosius ir skliautinius lubų karnizus galima išpjauti kombinuotu skersavimo ir kampų suleidimo pjūklų, padėjus karnizus ant sukiojamo pagrindo. Paprastai naudojami dviejų tipų dekoratyviniai karnizai ir vieno tipo skliautiniai karnizai: 52/38° kampų tarp sienos ir lubų dekoratyviniai karnizai, 45° kampo tarp sienos ir lubų karnizai bei 45° kampo tarp sienos ir lubų skliautiniai karnizai.

► **Pav.50:** 1. 52/38° tipo dekoratyviniai karnizai 2. 45° tipo dekoratyviniai karnizai 3. 45° tipo skliautiniai karnizai

Gali būti naudojamos dekoratyviųjų ir skliautinių karnizų jungtys, kurios pagamintos taip, kad tilptų „vidiniuose“ 90° kampuose ((a) ir (b) paveikslėliuose) ir „išoriniuose“ 90° kampuose ((c) ir (d) paveikslėliuose).



1. Vidinis kampas 2. Išorinis kampas



1. Vidinis kampas 2. Išorinis kampas

Matavimai

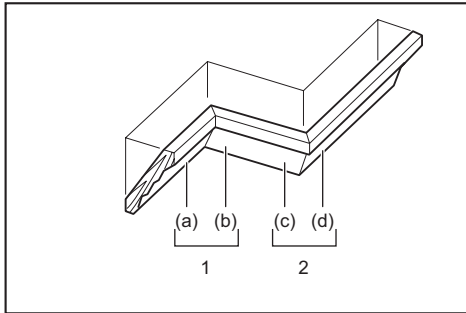
Išmatuokite sienelės plotį, tuomet pagal jį pakoreguokite ruošinio plotį. Visada įsitikinkite, ar ruošinio sienelės sąlyčio krašto plotis sutampa su sienelės ilgiu.

► **Pav.51:** 1. Ruošinys 2. Sienelės plotis 3. Ruošinio plotis 4. Sienelės sąlyčio kraštas

Pradžioje visuomet atlikite kelis bandomuosius pjūvius ant atliekamų ruošinių, kad nustatytumėte pjovimo kampus.

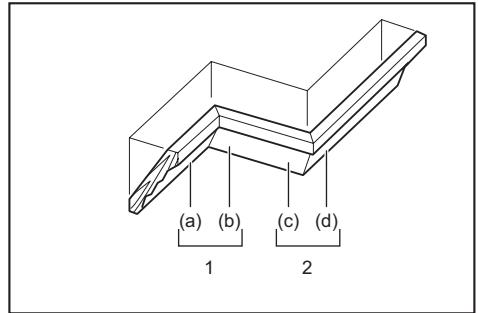
Pjaudami dekoratyvinius ir skliautinius lubų karnizus, nustatykite įstrižus ir nuožambius kampus, kaip nurodyta lentelėje (A), ir dėkite karnizus ant pjūklo pagrindo, kaip nurodyta lentelėje (B).

Kairysis įstrižas pjūvis



1. Vidinis kampas 2. Išorinis kampas

Jei atliekamas dešinysis įstrižasis pjūvis



1. Vidinis kampas 2. Išorinis kampas

Lentelė (A)

| – | Karnizo padėtis paveikslėlyje | Įstrižasis kampas | | Nuožulnus kampas | |
|------------------|-------------------------------|-------------------|-------------|------------------|----------------|
| | | 52/38° tipas | 45° tipas | 52/38° tipas | 45° tipas |
| Vidiniam kampui | (a) | Kairėje 33,9° | Kairėje 30° | Dešinėje 31,6° | Dešinėje 35,3° |
| | (b) | | | Kairėje 31,6° | Kairėje 35,3° |
| Išoriniam kampui | (c) | | | Dešinėje 31,6° | Dešinėje 35,3° |
| | (d) | | | Dešinėje 31,6° | Dešinėje 35,3° |

Lentelė (A)

| – | Karnizo padėtis paveikslėlyje | Įstrižasis kampas | | Nuožulnus kampas | |
|------------------|-------------------------------|-------------------|--------------|------------------|----------------|
| | | 52/38° tipas | 45° tipas | 52/38° tipas | 45° tipas |
| Vidiniam kampui | (a) | Dešinėje 33,9° | Dešinėje 30° | Dešinėje 31,6° | Dešinėje 35,3° |
| | (b) | | | Kairėje 31,6° | Kairėje 35,3° |
| Išoriniam kampui | (c) | | | Dešinėje 31,6° | Dešinėje 35,3° |
| | (d) | | | Dešinėje 31,6° | Dešinėje 35,3° |

Lentelė (B)

| – | Karnizo padėtis paveikslėlyje | Karnizo kampas pagal kreiptuvo aptvarą | Užbaigta dalis |
|------------------|-------------------------------|--|---|
| Vidiniam kampui | (a) | Lubų sąlyčio kraštas turėtų būti priešais kreiptuvo aptvarą. | Užbaigta dalis bus kairėje disko pusėje. |
| | (b) | Sienos sąlyčio kraštas turėtų būti priešais kreiptuvo aptvarą. | |
| Išoriniam kampui | (c) | Lubų sąlyčio kraštas turėtų būti priešais kreiptuvo aptvarą. | Užbaigta dalis bus dešinėje disko pusėje. |
| | (d) | Lubų sąlyčio kraštas turėtų būti priešais kreiptuvo aptvarą. | |

Lentelė (B)

| – | Karnizo padėtis paveikslėlyje | Karnizo kampas pagal kreiptuvo aptvarą | Užbaigta dalis |
|------------------|-------------------------------|--|---|
| Vidiniam kampui | (a) | Sienos sąlyčio kraštas turėtų būti priešais kreiptuvo aptvarą. | Baigta dalis bus dešinėje disko pusėje. |
| | (b) | Lubų sąlyčio kraštas turėtų būti priešais kreiptuvo aptvarą. | |
| Išoriniam kampui | (c) | Sienos sąlyčio kraštas turėtų būti priešais kreiptuvo aptvarą. | Baigta dalis bus kairėje disko pusėje. |
| | (d) | Sienos sąlyčio kraštas turėtų būti priešais kreiptuvo aptvarą. | |

Pavyzdys:

Atikdami 52/38° tipo dekoratyvinio karnizo pjūvį pagal padėtį (a) paveikslėlyje, pateiktame pirmiau:

- Pakreipkite ir užtvirtinkite įstrižo kampo nustatymą ties 33,9° KAIRIUOJU kampu.
- Nustatykite ir užtvirtinkite nuožambaus kampo nustatymą ties 31,6° DEŠINIUOJU kampu.
- Dėkite dekoratyvinį karnizą jo lentos galinės pusės (paslėptu) paviršiumi ant sukiojamo pagrindo, jo LUBAS LIEČIANTĮ KRAŠTĄ atrėmę į pjūklą kreiptuvą.
- Atlikus pjūvį, užbaigta naudojama dalis visuomet bus KAIREJE disko pusėje.

Pavyzdys:

Atikdami 52/38° tipo dekoratyvinio karnizo pjūvį pagal padėtį (a) paveikslėlyje, pateiktame pirmiau:

- Pakreipkite ir užtvirtinkite įstrižo kampo nustatymą ties 33,9° DEŠINIUOJU kampu.
- Nustatykite ir užtvirtinkite nuožambaus kampo nustatymą ties 31,6° DEŠINIUOJU kampu.
- Dėkite dekoratyvinį karnizą jo lentos galinės pusės (paslėptu) paviršiumi ant sukiojamo pagrindo, jo SIENĄ LIEČIANTĮ KRAŠTĄ atrėmę į pjūklą kreiptuvą.
- Atlikus pjūvį, baigta ir naudoti skirta dalis visada bus DEŠINĖJE disko pusėje.

Lubų apdailos juostų fiksatorius

Pasirenkamas priedas

Lubų apdailos juostoms pjauti skirti fiksatoriai leidžia jas lengviau išpjauti nepakreipiant pjūklo disko. Sumontuokite juos ant sukiojamo pagrindo, kaip parodyta paveikslėliuose.

45° dešiniojo įžambioju kampu

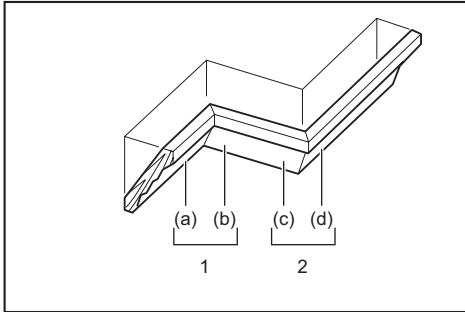
- **Pav.52:** 1. Lubų apdailos juostų fiksatorius „L“
2. Lubų apdailos juostų fiksatorius „R“
3. Sukiojamas pagrindas 4. Kreipiamasis aptvaras

45° kairiojo įžambioju kampu

- **Pav.53:** 1. Lubų apdailos juostų fiksatorius „L“
2. Lubų apdailos juostų fiksatorius „R“
3. Sukiojamas pagrindas 4. Kreipiamasis aptvaras

Lubų apdailos juostą dėkite SIENĄ LIEČIANTĮ KRAŠTĄ atrėmę į kreipiamąjį aptvarą, o LUBAS LIEČIANTĮ KRAŠTĄ atrėmę į lubų apdailos juostoms pjauti skirtus fiksatorius, kaip parodyta paveikslėlyje. Pareguliuokite lubų apdailos juostoms pjauti skirtus fiksatorius pagal apdailos juostos dydį. Užveržkite varžtus, kad užfiksuotumėte lubų apdailos juostų pjovimo fiksatorius. Kaip nustatyti įžambųjį kampą, žr. lentelę (C).

- **Pav.54:** 1. Kreipiamasis aptvaras 2. Lubų apdailos juostų fiksatorius



1. Vidinis kampas 2. Išorinis kampas

Stalas (C)

| – | Juostos padėtis paveikslėlyje | Įžambusis kampas | Baigta dalis |
|-------------------|-------------------------------|------------------|--------------------------------|
| Vidiniams kampui | (a) | Dešinėje 45° | Saugokite disko dešiniąją pusę |
| | (b) | Kairėje 45° | Saugokite disko kairiąją pusę |
| Išoriniams kampui | (c) | | Saugokite disko dešiniąją pusę |
| | (d) | Dešinėje 45° | Saugokite disko kairiąją pusę |

Forminių aliuminio ruošinių pjovimas

- **Pav.55:** 1. Spaustuvas 2. Skėtiklis 3. Kreipiamasis aptvaras 4. Aliuminio ruošinys 5. Skėtiklis

Forminiams aliuminio ruošiniams pritvirtinti naudokite atramines trinkeles arba metalo gabalėlius, kaip parodyta piešinyje, kad aliuminius nesideformuotų. Pjaudami forminius aliuminio ruošinius, naudokite pjovimo tepalą, kad prie disko nepriliptų aliuminio dalelių.

ĮSPĖJIMAS: Niekada nebandykite pjauti storų arba apvalių aliuminio profilių. Storus arba apvalius aliuminio profilius gali būti sunku įtvirtinti, todėl pjau-nant jie gali atsilaisvinti, tada kiltų pavojus nesuvaldyti įrankio ir sunkiai susižeisti.

Griovelio išpjovimas

ĮSPĖJIMAS: Nebandykite atlikti šio tipo pjūvių, naudodami platesnius arba frezavimo diskus. Bandant išpjauti griovelį platesniu disku arba frezavimo disku, gali įvykti netikėta atitranka, kuri gali sąlygoti sunkų sužeidimą.

ĮSPĖJIMAS: Atlikdami kitus nei griovelių išpjovimo pjūvius, būtinai sugrąžinkite fiksavimo svirtį į pradinę padėtį. Bandant atlikti pjūvius, kai fiksavimo svirtis yra netinkamoje padėtyje, pjūviai gali būti netikslūs ir gali įvykti netikėta atitranka, sąlygojanti sunkų sužeidimą.

Atlikdami panelio tipą, elkitės taip:

1. reguliavimo varžtu ir fiksavimo rankenėle nustatykite apatinę pjovimo disko ribą, kad apribotumėte disko pjovimo gylį. Žr. anksčiau aprašytą skyrį „Fiksavimo rankenėlė“;
2. nustatę apatinę ribinę disko padėtį, slinkdami (stumdami) pjaukite lygiagrečius griovelius skersai per visą ruošinio plotį.

- **Pav.56:** 1. Griovelių pjovimas disku

3. Kaltuku išvalykite grioveluose likusią medieną.

Įrankio nešimas

Prieš nešdami būtinai išimkite akumulatorius ir fiksuo-kite visas įžambiai pjaunančio pjūklo judamąsias dalis. Visada patikrinkite:

- Akumulatoriai išimti.
- Atrama yra nustatyta į 0° įžambiojo kampo padėtį ir fiksuojama.
- Atrama yra nuleista ir fiksuojama.
- Atrama yra visiškai nustumta kreipiamojo aptvaro link ir užfiksuota.
- Sukiojamas pagrindas yra nustatytas į visišką dešiniojo įžambiojo kampo padėtį ir fiksuojamas.
- Laikikliai yra laikomi ir fiksuojami.

Įrankį neškite laikydami už pagrindo, iš abiejų pusių, kaip parodyta piešinyje.

- **Pav.57**

ĮSPĖJIMAS: Atramai pakelti naudojamas fik-savimo smaigas skirtas tik įrankiui nešti ir apsau-goti, juo negalima pjauti. Naudojant fiksavimo smaigą pjovimo darbams, pjūklo diskas gali netikėtai pajudėti, sukelti atitranką ir sunkiai sužeisti.

⚠ PERSPĖJIMAS: Prieš nešdami įrankį, būtinai užtvirtinkite visas judamąsias dalis. Jeigu nešant įrankį kuri nors jo dalis pajudės arba pasislinks, galima netekti pusiausvyros arba nesuvaldyti įrankio ir susižeisti.

BELAIÐŽIO AKTYVINIMO FUNKCIJA

Tik **DLS111**

Ką galima padaryti su belaidžio aktyvinimo funkcija?

Belaidžio aktyvinimo funkcija leidžia dirbti švariai ir patogiai. Pridėta vakuuminį valymo įrenginį prijungę prie įrankio, galite automatiškai jį paleisti jungdami įrankį.

► **Pav.58**

Norėdami naudoti belaidžio aktyvinimo funkciją, pasiruškite šiuos daiktus:

- belaidį bloką;
- vakuuminį valymo įrenginį, kuris palaiko belaidžio aktyvinimo funkciją.

Toliau pateikiama belaidžio aktyvinimo funkcijos nustatymo apžvalga. Kiekvienoje dalyje rasite detalias procedūras.

1. Belaidžio bloko įdėjimas
2. Įrankio nustatymas vakuuminiame valymo įrenginyje
3. Belaidžio aktyvinimo funkcijos paleidimas

Belaidžio bloko įdėjimas

⚠ PERSPĖJIMAS: Įdėdami belaidį bloką, padėkite įrankį ant stabilaus plokščio paviršiaus.

PASTABA: Prieš įdėdami belaidį bloką, nuo įrankio nuvalykite dulkes ir purvą. Patekusios į belaidžio bloko angą, dulės arba purvas gali sukelti gedimą.

PASTABA: Norėdami išvengti gedimo, kurį gali sukelti statinis elektros krūvis, prieš paimdami belaidį bloką palieskite medžiagą, per kurią išeina statinis elektros krūvis, pavyzdžiui, metalinę įrankio dalį.

PASTABA: Įdėdami belaidį bloką, visada įsitinkinkite, kad dedate reikiama kryptimi ir kad dangtelis iki galo uždarytas.

1. Atidarykite įrankio dangtelį, kaip parodyta paveikslėlyje.

► **Pav.59:** 1. Dangtelis

2. Įdėkite belaidį bloką į angą ir uždarykite dangtelį.

Įdėdami belaidį bloką, iškyšas sulygiuokite su angos išėmomis.

- **Pav.60:** 1. Belaidis blokas 2. Iškyša 3. Dangtelis 4. Išėma

Norėdami išimti belaidį bloką, lėtai atidarykite dangtelį. Traukiant dangtelį, jo galinėje pusėje esantys kabliukai iškels belaidį bloką.

► **Pav.61:** 1. Belaidis blokas 2. Kabliukas 3. Dangtelis

Išėmę belaidį bloką laikykite pridėtame dėkle arba nuo statinio krūvio apsaugotoje taroje.

PASTABA: Išimdami belaidį bloką visada naudokites galinėje dangtelio pusėje esančiais kabliukais. Jei kabliukai nepagauna belaidžio bloko, iki galo uždarykite dangtelį ir vėl lėtai jį atidarykite.

Įrankio nustatymas vakuuminiame valymo įrenginyje

PASTABA: Įrankiui nustatyti reikalingas „Makita“ vakuuminis valymo įrenginys, palaikantis belaidžio aktyvinimo funkciją.

PASTABA: Prieš pradėdami nustatyti įrankį, įdėkite jį į belaidį bloką.

PASTABA: Nustatydami įrankį, netraukite gaiduko ir neįjunkite vakuuminio valymo įrenginio maitinimo.

PASTABA: Taip pat žr. vakuuminio valymo įrenginio naudojimo instrukciją.

Jei norite aktyvinti vakuuminį valymo įrenginį įrankio jungikliu, prieš tai nustatykite įrankį.

1. Įdėkite akumuliatorių į vakuuminį valymo įrenginį ir įrankį.

2. Vakuuminio valymo įrenginio parengties jungiklį nustatykite ties „AUTO“.

► **Pav.62:** 1. Parengties jungiklis

3. 3 sekundes spauskite belaidžio aktyvinimo mygtuką ant vakuuminio valymo įrenginio, kol belaidžio aktyvinimo lemputė ims mirksėti žaliai. Tada tokiu pat būdu paspauskite belaidžio aktyvinimo mygtuką ant įrankio.

► **Pav.63:** 1. Belaidžio aktyvinimo mygtukas 2. Belaidžio aktyvinimo lemputė

Jei vakuuminis valymo įrenginys ir įrankis sėkmingai susietį, belaidžio aktyvinimo lemputės 2 sekundes švies žaliai ir ims mirksėti mėlynai.

PASTABA: Belaidžio aktyvinimo lemputės nustoja mirksėti žaliai po 20 sekundžių. Kai mirksi valymo įrenginio belaidžio aktyvinimo lemputė, paspauskite belaidžio aktyvinimo mygtuką ant įrankio. Jei belaidžio aktyvinimo lemputė nemirksi žaliai, trumpai paspauskite belaidžio aktyvinimo mygtuką ir vėl palaikykite jį nuspaudę.

PASTABA: Jei norite nustatyti du ar daugiau įrankių viename vakuuminiame valymo įrenginyje, nustatykite juos po vieną.

Belaidžio aktyvinimo funkcijos paleidimas

PASTABA: Prieš belaidį aktyvinimą nustatykite įrankį vakuuminiam valymo įrenginyje.

PASTABA: Taip pat žr. vakuuminio valymo įrenginio naudojimo instrukciją.

Nustačius įrankį vakuuminiam valymo įrenginyje, jis automatiškai įsijungs įjungus įrankį.

- Įdėkite belaidį bloką į įrankį.
- Sujunkite vakuuminio valymo įrenginio žarną su įrankiu.
► **Pav.64**
- Vakuuminio valymo įrenginio parengties jungiklį nustatykite ties „AUTO“.
► **Pav.65:** 1. Parengties jungiklis

- Trumpai paspauskite belaidžio aktyvinimo mygtuką ant įrankio. Belaidžio aktyvinimo lemputė mirksės mėlynai.
► **Pav.66:** 1. Belaidžio aktyvinimo mygtukas
2. Belaidžio aktyvinimo lemputė

- Patraukite įrankio gaiduką. Patikrinkite, ar patraukus gaiduką vakuuminis valymo įrenginys veikia.

Norėdami sustabdyti belaidį vakuuminio valymo įrenginio aktyvinimą, paspauskite belaidžio aktyvinimo mygtuką ant įrankio.

PASTABA: Nenaudojant 2 valandas, belaidžio aktyvinimo lemputė ant įrankio nustos mirksėti mėlynai. Šiuo atveju parengties jungiklį ant vakuuminio valymo įrenginio nustatykite ties „AUTO“ ir vėl paspauskite belaidžio aktyvinimo mygtuką ant įrankio.

PASTABA: Vakuuminis valymo įrenginys ima veikti ir sustoja šiek tiek uždelsęs. Praeina šiek tiek laiko, kol vakuuminis valymo įrenginys nustato, kad buvo panaudotas įrankio jungiklis.

PASTABA: Belaidžio bloko perdavimo atstumas gali skirtis priklausomai nuo vietos ir aplinkybių.

PASTABA: Kai viename vakuuiniame valymo įrenginyje yra nustatyti du ar daugiau įrankių, vakuuminis valymo įrenginys gali imti veikti net jei nepatraukėte gaiduko, nes kitas naudotojas naudoja belaidžio aktyvinimo funkciją.

Belaidžio aktyvinimo lemputės būsenos aprašymas

- **Pav.67:** 1. Belaidžio aktyvinimo lemputė

Belaidžio aktyvinimo lemputė rodo belaidžio aktyvinimo funkcijos būseną. Lemputės būsenos reikšmės pateiktos tolesnėje lentelėje.

| Būsena | Belaidžio aktyvinimo lemputė | | | Aprašymas | |
|------------------------------|------------------------------|-------------------------------------|---------------------------------|-----------------------------|--|
| | Spalva | <input type="checkbox"/> Šviečia | <input type="checkbox"/> Mirksi | | Trukmė |
| Parengtis | Mėlyna | <input checked="" type="checkbox"/> | | 2 valandos | Galimas belaidis vakuuminio valymo įrenginio aktyvinimas. Nenaudojant 2 valandas lemputė automatiškai užges. |
| | | <input type="checkbox"/> | | Kai įrankis yra naudojamas. | Galimas belaidis vakuuminio valymo įrenginio aktyvinimas ir įrankis yra naudojamas. |
| Įrankio nustatymas | Žalia | <input checked="" type="checkbox"/> | | 20 sekundžių | Pasirengęs nustatyti įrankį. Laukiama, kol įrankis bus nustatytas vakuuiniame valymo įrenginyje. |
| | | <input type="checkbox"/> | | 2 sekundės | Įrankis nustatytas. Belaidžio aktyvinimo lemputė ims mirksėti mėlynai. |
| Įrankio nustatymo atšaukimas | Raudona | <input checked="" type="checkbox"/> | | 20 sekundžių | Pasiruošęs atšaukti įrankio nustatymą. Laukiama, kol įrankio nustatymas bus atšauktas vakuuiniame valymo įrenginyje. |
| | | <input type="checkbox"/> | | 2 sekundės | Įrankio nustatymas atšauktas. Belaidžio aktyvinimo lemputė ims mirksėti mėlynai. |
| Kita | Raudona | <input type="checkbox"/> | | 3 sekundės | Belaidis blokas yra maitinamas ir ima veikti belaidžio aktyvinimo funkcija. |
| | Nešviečia | - | | - | Belaidis vakuuminio valymo įrenginio aktyvinimas sustabdytas. |

Įrankio nustatymo vakuuiniame valymo įrenginyje atšaukimas

Norėdami atšaukti įrankio nustatymą vakuuiniame valymo įrenginyje, atlikite šią procedūrą.

- Įdėkite akumuliatorių į vakuuminį valymo įrenginį ir įrankį.
- Vakuuminio valymo įrenginio parengties jungiklį nustatykite ties „AUTO“.
► **Pav.68:** 1. Parengties jungiklis

- 6 sekundes spauskite belaidžio aktyvinimo mygtuką ant vakuuminio valymo įrenginio. Belaidžio aktyvinimo lemputė mirksi žaliai ir tampa raudona. Paskui tokiu pat būdu paspauskite belaidžio aktyvinimo mygtuką ant įrankio.

- **Pav.69:** 1. Belaidžio aktyvinimo mygtukas
2. Belaidžio aktyvinimo lemputė

Jei atšaukti pavyko, belaidžio aktyvinimo lemputės 2 sekundes švies raudonai ir ims mirksėti mėlynai.

PASTABA: Belaidžio aktyvinimo lemputės nustoja mirksėti raudonai po 20 sekundžių. Kai mirksi valymo įrenginio belaidžio aktyvinimo lemputė, paspauskite belaidžio aktyvinimo mygtuką ant įrankio. Jei belaidžio aktyvinimo lemputė nemirksi raudonai, trumpai paspauskite belaidžio aktyvinimo mygtuką ir vėl palaikykite jį nuspaudę.

Belaidžio aktyvinimo funkcijos trikčių šalinimas

Prieš kreipdamiesi dėl remonto darbų, pirmiausia patikrinkite gedimus patys. Kilus problemų, apie kurias nepaaiškinta vartotojo vadove, nemėginkite ardyti įrankio. Kreipkitės į įgaliotuosius „Makita“ techninės priežiūros centrus, kuriuose remontui visuomet naudojamos originalios „Makita“ keičiamosios dalys.

| Neįprasta būklė | Tikėtina priežastis (triktis) | Ištaisomoji priemonė |
|---|--|--|
| Belaidžio aktyvinimo lemputė nešviečia arba nemirksi. | Belaidis blokas neįdėtas į įrankį. Belaidis blokas netinkamai įdėtas į įrankį. | Taisyklingai įdėkite belaidį bloką. |
| | Belaidžio bloko kontaktas ir (arba) anga yra purvini. | Švelniai nuvalykite dulkes ir purvą nuo belaidžio bloko kontakto ir išvalykite angą. |
| | Belaidžio aktyvinimo mygtukas ant įrankio nebuvo paspaustas. | Trumpai paspauskite belaidžio aktyvinimo mygtuką ant įrankio. |
| | Vakuuminio valymo įrenginio parengties jungiklis nenustatytas ties „AUTO“. | Vakuuminio valymo įrenginio parengties jungiklį nustatykite ties „AUTO“. |
| | Nėra maitinimo | Prijunkite įrankio ir vakuuminio valymo įrenginio maitinimą. |
| Nepavyksta nustatyti įrankio / atšaukti jo nustatymo. | Belaidis blokas neįdėtas į įrankį. Belaidis blokas netinkamai įdėtas į įrankį. | Taisyklingai įdėkite belaidį bloką. |
| | Belaidžio bloko kontaktas ir (arba) anga yra purvini. | Švelniai nuvalykite dulkes ir purvą nuo belaidžio bloko kontakto ir išvalykite angą. |
| | Vakuuminio valymo įrenginio parengties jungiklis nenustatytas ties „AUTO“. | Vakuuminio valymo įrenginio parengties jungiklį nustatykite ties „AUTO“. |
| | Nėra maitinimo | Prijunkite įrankio ir vakuuminio valymo įrenginio maitinimą. |
| | Netinkamai atlikta procedūra | Trumpai paspauskite belaidžio aktyvinimo mygtuką ir iš naujo atlikite įrankio nustatymo / atšaukimo procedūras. |
| | Įrankis ir vakuuminis valymo įrenginys yra toli vienas nuo kito (už perdavimo diapazono ribų). | Padėkite įrankį ir vakuuminį valymo įrenginį arčiau vienas kito. Didžiausias perdavimo atstumas yra maždaug 10 m, bet jis gali skirtis pagal aplinkybes. |
| | Prieš nustatant / atšaukiant įrankį: - patraukiamas gaidukas ant įrankio arba - įjungiamas maitinimo mygtukas ant vakuuminio valymo įrenginio. | Trumpai paspauskite belaidžio aktyvinimo mygtuką ir iš naujo atlikite įrankio nustatymo / atšaukimo procedūras. |
| | Neatliktos įrankio nustatymo procedūros įrankyje arba vakuuminiame valymo įrenginyje. | Tuo pačiu metu atlikite įrankio nustatymo procedūras įrankyje ir vakuuminiame valymo įrenginyje. |
| | Kitų prietaisų, generuojančių didelį intensyvumo radijo bangas, keliami radijo bangų trikdžiai. | Patraukite įrankį ir vakuuminį valymo įrenginį toliau nuo tokių prietaisų kaip belaidžio ryšio įrenginiai ir mikrobangų krosnelės. |

| Neįprasta būklė | Tikėtina priežastis (triktis) | Ištaisomoji priemonė |
|--|---|---|
| Vakuuminis valymo įrenginys neveikia jungus įrankio jungiklį. | Belaidis blokas neįdėtas į įrankį. Belaidis blokas netinkamai įdėtas į įrankį. | Taisyklingai įdėkite belaidį bloką. |
| | Belaidžio bloko kontaktas ir (arba) anga yra purvini. | Švelniai nuvalykite dulkes ir purvą nuo belaidžio bloko kontakto ir išvalykite angą. |
| | Belaidžio aktyvinimo mygtukas ant įrankio nebuvo paspaustas. | Trumpai paspauskite belaidžio aktyvinimo mygtuką ir patikrinkite, ar belaidžio aktyvinimo lemputė mirksni mėlynai. |
| | Vakuuminio valymo įrenginio parengties jungiklis nenustatytas ties „AUTO“. | Vakuuminio valymo įrenginio parengties jungiklį nustatykite ties „AUTO“. |
| | Vakuuiniame valymo įrenginyje yra nustatyta daugiau kaip 10 įrankių. | Iš naujo nustatykite įrankį. Jei vakuuiniame valymo įrenginyje nustatyta daugiau kaip 10 įrankių, anksčiausiai nustatytas įrankis bus automatiškai atšauktas. |
| | Vakuuminis valymo įrenginys ištrynė visus įrankių nustatymus. | Iš naujo nustatykite įrankį. |
| | Nėra maitinimo | Prįjunkite įrankio ir vakuuminio valymo įrenginio maitinimą. |
| | Įrankis ir vakuuminis valymo įrenginys yra toli vienas nuo kito (už perdavimo diapazono ribų). | Padėkite įrankį ir vakuuminį valymo įrenginį arčiau vienas kito. Didžiausias perdavimo atstumas yra maždaug 10 m, bet jis gali skirtis pagal aplinkybes. |
| Kitų prietaisų, generuojančių didelio intensyvumo radijo bangas, keliama radijo bangų trikdžiai. | Patraukite įrankį ir vakuuminio valymo įrenginį toliau nuo tokių prietaisų kaip belaidžio ryšio įrenginiai ir mikrobangų krosnelės. | |
| Vakuuminis valymo įrenginys veikia nepatraukus įrankio gaiduko. | Kiti naudotojai naudoja belaidį vakuuminio valymo įrenginio aktyvinimą su savo įrankiais. | Išjunkite kitų įrankių belaidžio aktyvinimo mygtuką arba atšaukite kitų įrankių nustatymą. |

TECHNINĖ PRIEŽIŪRA

⚠ JSPĖJIMAS: Prieš pradėdami įrankio tikrinimo arba techninės priežiūros darbus, visada įsitikinkite, ar įrankis išjungtas ir akumulatoriai išimti. Neišėmus akumuliatorių ir neišjungus įrankio, galima sunkiai susižeisti, jei įrankis atsitiktinai įsijungtų.

⚠ JSPĖJIMAS: Siekdami geriausių rezultatų ir saugiausio darbo, visuomet įsitikinkite, ar diskas yra aštrus ir švarus. Bandant pjauti atbukusiu ir (arba) nešvarių disku, gali įvykti atatranka, sąlygojanti sunkų sužeidimą.

PASTABA: Niekada nenaudokite gazolino, benzino, tirpiklio, spirito arba panašių medžiagų. Gali atsirasti išblukimų, deformacijų arba įtrūkimų.

Pjovimo kampo nustatymas

Šis įrankis gamykloje buvo kruopščiai nustatytas ir sulygiuotas, tačiau jo neprižiūrint, sulygiavimas gali išsi-reguliuoti. Jeigu įrankis sulygiuotas netinkamai, atlikite tokius veiksmus:

Nuožulnus kampas

Visiškai nuleiskite rankenėlę ir fiksavimo smaigu užfiksуйте ją apačioje. Stumkite atramą kreipiamojo aptvaro link. Atlaisvinkite rankeną ir varžtus, kuriais fiksuojama rodyklė ir įžambiojo kampo skalė.

► **Pav.70:** 1. Varžtas ant rodyklės 2. Varžtai įžambiojo kampo skalėje 3. Įžambiojo kampo skalė

Naudodami teigiamo kampo užfiksavimo funkciją, sukiojamą pagrindą nustatykite į 0° padėtį. Trikampė liniuotė ar kampainiu nustatykite statų kampą disko šono ir kreipiamojo aptvaro paviršiaus atžvilgiu. Išlaikydami statų kampą, priveržkite varžtus ant įžambiojo kampo skalės. Tada sulygiuokite rodyklės (dešiniąją ir kairiąją) su 0° padėtimi įžambiojo kampo skalėje ir priveržkite varžtą ant rodyklės.

► **Pav.71:** 1. Trikampė liniuotė

Įstrižasis kampas

0° įstrižumo kampas

Spauskite atramą kreipiamojo aptvaro link, tada, kad neslankiotų, ją fiksuokite fiksavimo smaigu. Visiškai nuleiskite rankenėlę ir fiksavimo smaigu užfiksуйте ją apačioje, tada atlaisvinkite. Sukite 0° kampo reguliavimo varžtą 2–3 pasukimus prieš laikrodžio rodyklę, kad pakreiptumėte diską dešinėn.

► **Pav.72:** 1. 0° kampo reguliavimo varžtas 2. Varžtas

Tiksliai nustatykite disko kraštą ir sukiojamo pagrindo paviršius stačiu kampu, naudodami trikampę liniuotę, kampainį ir t.t., pagal laikrodžio rodyklę sukdami 0° kampo reguliavimo varžtą. Tada tvirtai užveržkite rankenėlę ir fiksuokite nustatytą 0° kampą.

► **Pav.73:** 1. Trikampė liniuotė 2. Pjūklų diskas 3. Sukiojamo pagrindo viršutinis paviršius

Dar kartą patikrinkite, ar disko šonas yra statmenas sukiojamojo pagrindo paviršiumi. Atsukite rodyklės varžtą. Sulygiuokite rodyklę su 0° kampo padėtimi įžambiojo kampo skalėje, tada priveržkite varžtą.

45° įstrižumo kampas

PASTABA: Prieš reguliuodami 45° įstrižąjį kampą, pirmiausia nustatykite 0° įstrižąjį kampą.

Atlaisvinkite rankenėlę ir visiškai pakreipkite atramą į norimą patikrinti šoną. Patikrinkite, ar rodyklė rodo 45° kampo įstrižojo kampo skalėje.

► **Pav.74**

Jei rodyklė nerodo 45° kampo padėties, sulygiuokite ją su 45° kampo padėtimi, sukdami reguliavimo varžtą priešingoje įstrižojo kampo skalės pusėje.

► **Pav.75:** 1. Kairysis 45° kampo reguliavimo varžtas
2. Dešinysis 45° kampo reguliavimo varžtas

Lazerio spindulio padėties reguliavimas

Tik **DLS111, DLS112**

⚠ JSPĖJIMAS: Reguluojant lazerio spindulį, akumulatoriai turi būti įdėti. Būkite itin atsargūs, kad reguliuodami neįjungtumėte įrankio. Netyčia paleidus įrankį, galima sunkiai susižeisti.

⚠ PERSPĖJIMAS: Niekada nežiūrėkite tiesiai į lazerio spindulį. Žiūrint tiesiai į spindulį, akys gali būti sunkiai pažeistos.

PASTABA: Reguliariai tikrinkite, ar lazerio linijos padėtis yra tiksli.

PASTABA: Nepamirškite, kad tai veikia įrankį. Lazerio spindulys gali nukrypti arba lazeris gali būti pažeistas, todėl sutrumpės jo naudojimo laikas.

PASTABA: Sugedus lazerio blokui, atiduokite įrankį remontuoti įgaliotam „Makita“ techninio aptarnavimo centrui.

Keičiamą lazerio spindulio diapazoną galima sureguliuoti abiejose pusėse esančiais diapazono reguliavimo varžtais. Norėdami keisti lazerio spindulio padėtį, atlikite šias procedūras.

1. Išimkite akumulatorius.
2. Ant ruošinio nubrėžkite pjovimo liniją ir padėkite ruošinį ant sukiojamo pagrindo. Dar netvirtinkite ruošinio spaustuvais arba panašiais tvirtinimo įrengimais.
3. Nuleiskite rankeną ir sulygiuokite pjovimo liniją su pjūklo disku.
4. Gražinkite rankeną į pradinę padėtį ir užfiksukite ruošinį vertikaliu spaustuvu, kad jis nepajudėtų iš nustatytos vietos.
5. Įdėkite akumulatorius ir įjunkite lazerį.
6. Atlaisvinkite reguliavimo varžtą. Norėdami nutolinti lazerio spindulį nuo disko, sukite diapazono reguliavimo varžtus prieš laikrodžio rodyklę. Norėdami priartinti lazerio spindulį prie disko, sukite diapazono reguliavimo varžtą pagal laikrodžio rodyklę.

Lazerio spindulio nustatymas į kairę pusę nuo disko

► **Pav.76:** 1. Reguliavimo varžtas 2. Diapazono reguliavimo varžtas 3. Šešiakampis veržliasukis 4. Lazerio spindulys 5. Pjūklo diskas

Lazerio spindulio nustatymas į dešinę pusę nuo disko

► **Pav.77:** 1. Reguliavimo varžtas 2. Diapazono reguliavimo varžtas 3. Šešiakampis veržliasukis 4. Lazerio spindulys 5. Pjūklo diskas

7. Stumkite reguliavimo varžtą į vietą, kurioje lazerio spindulys užaina ant pjovimo linijos, tada priveržkite.

PASTABA: Keičiamas lazerio spindulio diapazonas nustatytas gamykloje 1 mm (0,04") atstumu nuo šoninio pjūklo disko paviršiaus.

Lazerio šviesos lęšio valymas

Tik **DLS111, DLS112**

Lazerio spindulį tampa sunku įžiūrėti, nes lazerio šviesos lęšis yra nešvarus. Reguliariai nuvalykite lazerio šviesos lęšį.

► **Pav.78:** 1. Varžtas 2. Lęšis

Išimkite akumulatorius. Atlaisvinkite varžtą ir ištraukite lęšį. Drėgna minkšta šluoste švelniai nuvalykite lęšį.

PASTABA: Neišsukite lęšį tvirtinancio varžto. Jei lęšis neušimama, varžtą atlaisvinkite dar labiau.

PASTABA: Lęšių negalima valyti tirpikliais arba valikliais, pagamintais naftos pagrindu.

Po naudojimo

Pabaigę darbą, skudurėliu nuvalykite prie įrankio priličiusius atplaišas ir dulkes. Atitinkamai pagal anksčiau skyriuje „Pjovimo disko apsauga“ išdėstytus nurodymus, pjovimo disko apsauga turi būti laikoma švariai. Judamas dalis patepkite mašininę alyvą, kad jos nerūdytų.

Kad gaminyt būtų SAUGUS ir PATIKIMAS, jį taisyti, apžiūrėti ar vykdyti bet kokią kitą priežiūrą ar derinimą turi įgaliotasis kompanijos „Makita“ techninės priežiūros centras; reikia naudoti tik kompanijos „Makita“ pagamintas atsargines dalis.

PASIRENKAMI PRIEDAI

⚠ JSPĖJIMAS: Su šiaime vartotojo vadove nurodytu „Makita“ įrankiu rekomenduojama naudoti šiuos „Makita“ įtaisus ir priedus. Naudojant bet kokius kitus įtaisus ir priedus, galima sunkiai susižeisti.

⚠ JSPĖJIMAS: „Makita“ įtaisą arba priedą naudokite tik pagal jo numatytąją paskirtį. Naudojant įtaisą arba priedą ne pagal jo numatytąją paskirtį, galima sunkiai susižeisti.

Jeigu norite daugiau sužinoti apie tuos priedus, kreipkitės į artimiausią „Makita“ techninės priežiūros centrą.

- Plieniniai pjūklo diskai ir diskai karbidiniais antgaliais
- Vertikalus spaustuvas
- Horizontalus spaustuvas
- Lubų apdailos juostų fiksatoriaus nustatymas
- Dulkių surinkimo maišelis
- Trikampė liniuotė
- Šešiakampis veržliaraktis
- Šešiakampis veržliasukis (lazeriui reguliuoti)
- Belaidis blokas (skirtas DLS111)
- Originalus „Makita“ akumulatorius ir įkroviklis

PASTABA: Kai kurie sąraše esantys priedai gali būti pateikti įrankio pakuotėje kaip standartiniai priedai. Jie įvairiose šalyse gali skirtis.

TEHNILISED ANDMED

| Mudel: | | DLS110 | DLS111 | DLS112 |
|-------------------------------|-------------------------|--|---|--------|
| Tera läbimõõt | Euroopa riigid | 260 mm | | |
| | Muud kui Euroopa riigid | 255 mm – 260 mm | | |
| Ava läbimõõt | Euroopa riigid | 30 mm | | |
| | Muud kui Euroopa riigid | 25,4 mm | | |
| Saetera max sisselõike paksus | | 3,2 mm | | |
| Max eerunginurk | | Parem 60°, vasak 60° | | |
| Max kaldenurk | | Parem 48°, vasak 48° | | |
| Koormuseta kiirus (P/MIN) | | 4 400 min ⁻¹ | | |
| Laseri tüüp | | - | Punane laser 650 nm, maksimaalne võimsus < 1,6 mW (laseri klass 2M) | |
| Nimipinge | | Alalisvool 36 V | | |
| Akukassett | | BL1815N, BL1820, BL1820B, BL1830, BL1830B, BL1840, BL1840B, BL1850, BL1850B, BL1860B | | |
| Laadija | | DC18RC, DC18RD, DC18SD, DC18SE, DC18SF | | |
| Mõõtmed (P × L × K) | | 805 mm × 644 mm × 660 mm | | |
| Netokaal | | 26,6 - 27,3 kg | | |

Lõikejõudlused (K x L)

| Eerunginurk | Fassettnurk | | |
|----------------------|----------------------------------|----------------------------------|----------------------------------|
| | 45° (vasak) | 0° | 45° (parem) |
| 0° | 42 mm × 310 mm 58 mm × 279 mm | 68 mm × 310 mm 91 mm × 279 mm | 29 mm × 310 mm 43 mm × 279 mm |
| 45° (parem ja vasak) | 42 mm × 218 mm 58 mm × 197 mm | 68 mm × 218 mm 91 mm × 197 mm | 29 mm × 218 mm 43 mm × 197 mm |
| 60° (parem ja vasak) | - | 68 mm × 155 mm 91 mm × 139 mm | - |

Lõikejõudlused erilõigete korral

| Lõikamise tüüp | Lõikejõudlus |
|--|--------------|
| 45° kaareprofiil (kaareprofiili stopperi kasutamisel) | 168 mm |
| Põrandaliist (horisontaalse kinnitusrakise kasutamisel) | 133 mm |

- Meie pideva uuringu- ja arendusprogrammi tõttu võidakse tehnilisi andmeid muuta ilma sellest ette teatamata.
- Tehnilised andmed ja akukassett võivad riigiti erineda.
- Kaal võib erineda olenevalt lisaseadistest, kaasa arvatud akukassetist. Kergeim ja raskeim kombinatsioon EPTA-protseduuri 01/2014 kohaselt on toodud tabelis.

Sümbolid

Alljärgnevalt kirjeldatakse seadmetel kasutatavaid tingimärke. Veenduge, et olete nende tähendusest aru saanud enne seadme kasutamist.



Lugege juhendit.



Vältimaks õhku paiskuvast prahist põhjustatud kehavigastust, jätkake pärast lõikamist saepea all hoidmist, kuni lõiketera on täielikult seiskunud.



Kui lõikate kelkmehhanismi abil, tõmmake esmalt kelk täielikult välja ja vajutage käepide alla, seejärel tõugake kelku juhtpiirde suunas.



Ärge asetage kätt ega sõrmi lõiketera lähedusse.



Ärge kunagi vaadake otse laserkiirde. Otsene laserkiir võib silmi kahjustada.



Ainult EL-i riikidele

Ärge pange kasutusest kõrvaldatud elektriseadmeid tavaliste olmejätmete hulka! Vastavalt Euroopa Parlamendi ja Nõukogu direktiivile elektri- ja elektroonikaseadmete jäätmete kohta ning direktiivi nõuete kohaldamisele liikmesriikides tuleb kasutuskõlbmatuks muutunud elektriseadmed koguda eraldi ja keskkonnasäästlikult ringlusse võtta.

Kavandatud kasutus

Tööriist on ette nähtud puidu täpseks sirgjooneliseks ja kaldlõikamiseks. Sobivate saeteradega on võimalik saagida ka alumiiniumi.

Müra

Tüüpiline A-korrigeeritud müratase, määratud standardi EN62841 kohaselt:

Mudel DLS110

Helirõhutase (L_{pA}): 92 dB (A)

Helivõimsuse tase (L_{WA}): 102 dB (A)

Määramatus (K): 3 dB (A)

Mudel DLS111

Helirõhutase (L_{pA}): 92 dB (A)

Helivõimsuse tase (L_{WA}): 102 dB (A)

Määramatus (K): 3 dB (A)

Mudel DLS112

Helirõhutase (L_{pA}): 92 dB (A)

Helivõimsuse tase (L_{WA}): 102 dB (A)

Määramatus (K): 3 dB (A)

⚠ HOIATUS: Kasutage kõrvakaitsmeid.

Vibratsioon

Vibratsiooni koguväärtus (kolmeteljeliste vektorite summa) määratud standardi EN62841 kohaselt:

Mudel DLS110

Vibratsiooniheide (a_h): 2,5 m/s² või vähem

Määramatus (K): 1,5 m/s²

Mudel DLS111

Vibratsiooniheide (a_h): 2,5 m/s² või vähem

Määramatus (K): 1,5 m/s²

Mudel DLS112

Vibratsiooniheide (a_h): 2,5 m/s² või vähem

Määramatus (K): 1,5 m/s²

MÄRKUS: Deklareeritud vibratsiooniheite väärtus on mõõdetud kooskõlas standardse testimismeetodiga ning seda võib kasutada ühe seadme võrdlemiseks teisega.

MÄRKUS: Deklareeritud vibratsiooniheite väärtust võib kasutada ka mürataseme esmaseks hindamiseks.

⚠ HOIATUS: Vibratsioonitase võib elektritööriista tegelikuses kasutamise ajal erineda deklareeritud väärtusest olenevalt tööriista kasutamise viisidest.

⚠ HOIATUS: Rakendage operaatori kaitsmiseks kindlasti piisavaid ohutusabinõusid, mis põhinevad hinnangulisel müratasemel tegelikus töösihtuatsioonis (võttes arvesse tööperioodi kõiki osasid, nagu näiteks korrad, kui seade lülitatakse välja ja seade töötab tühikäigul, lisaks tööajale).

EÜ vastavusdeklaratsioon

Ainult Euroopa riikide puhul

EÜ vastavusdeklaratsioon sisaldub käesoleva juhendi Lisas A.

OHUTUSHOIATUSED

Üldised elektritööriistade ohutushoiatused

⚠ HOIATUS: Lugege läbi kõik selle elektritööriistaga kaasas olevad ohutushoiatused, juhised, joonised ja tehnilised andmed. Järgnevate juhiste eiramine võib põhjustada elektrilöögi, süttimise ja/või raske kehavigastuse.

Hoidke edaspidisteks viide- teks alles kõik hoiatused ja juhtnöörid.

Hoiatuses kasutatud termini „elektritööriist“ all peetakse silmas elektriga töötavaid (juhtmega) elektritööriistu või akuga töötavaid (juhtmata) elektritööriistu.

Eerungisaagide ohutusjuhised

- Eerungisaed on mõeldud puidu või puidusarnaste toodete lõikamiseks; neid ei saa kasutada koos abrasiivsete lõikeketastega, mis on mõeldud lattide, varraste, neetide jt raudsulamist materjalide lõikamiseks.** Abrasiivne tolm põhjustab alumise piirde jt liikuvate osade kinnijäämise. Abrasiivsest lõikamisest tekkivad sädemed põletavad alumist piiret, sisselõike siseosa ja teisi plast detaile.
- Võimaluse korral kasutage töödeldava detaili toestamiseks klambreid.** Töödeldavat detaili käega hoides tuleb kätt hoida saeterast alati vähemalt 100 mm kaugusel. Ärge kasutage saage, et lõigata tükke, mis on turvaliselt kinnitamiseks või käega hoidmiseks liiga väikesed. Kui käsi asub saeterale liiga lähedal, on oht saeteraga vigastada saada väga suur.
- Töödeldav ese peab olema paigal ja olema nii piirde kui ka laua külge kinnitatud või vastu neid kinni hoitud.** Ärge juhtige töödeldavat eset vastu tera ega lõigake mingil muul moel „vaba käega“. Kinnitamata või liikuvad töödeldavad esemed võivad suure kiirusega eemale paiskuda ja põhjustada vigastusi.
- Suruge saag läbi töödeldava eseme. Saagi ei tohi läbi töödeldava eseme tõmmata.** Lõike tegemiseks tõstke saepea ja tõmmake ilma löikamata välja üle töödeldava eseme, käivitage mootor, vajutage saepea alla ja suruge saag läbi töödeldava eseme. Tõmbava liigutusega lõikamisel võib saetera liikuda töödeldava eseme peale ja terakoost võib paiskuda operaatori poole.
- Mitte mingil juhul ärge asetage oma käsi saetera eest ega tagant risti üle plaanitava lõikejoone.** Töödeldava eseme hoidmine risti kätega, st hoides vasaku käega saeterast paremal asuvat töödeldavat eset või vastupidi, on väga ohtlik.

► Joon.1

6. **Ärge asetage kätt saetera pöörlemise ajal saepuru eemaldamiseks või mõnel muul põhjusel üle piirde saetera küljele lähemale kui 100 mm.** Käe kaugus saeterast ei pruugi olla ilmne ja te võite end raskelt vigastada.
7. **Uurige töödeldavat eset enne lõikamist. Kui töödeldav ese on kooldunud või kaardus, kinnituste see välise kaardus pinnaga vastu piiret. Alati tuleb jälgida, et töödeldava eseme, piirde ja laua vahel ei oleks piki lõikejoont mingit vahet.** Kooldunud või kaardus töödeldavad esemed võivad väänduda või nihkuda ja põhjustada lõikamise ajal saetera kinnijäämist. Töödeldavas esemes ei tohi olla naelu ega teisi võõrobjekte.
8. **Ärge kasutage saage enne, kui laualt on eemaldatud kõik tööriistad, saepuru jms peale töödeldava eseme.** Väike praht, lahtised puidukid või muud pöörleva teraga kokkupuutuvad esemed võivad suurel kiirusel eemale paiskuda.
9. **Lõigake korraga ainult ühte töödeldavat eset.** Virmastatud mitut töödeldavat eset ei ole võimalik korralikult kinnitada ega haarata ja tera võib lõikamise ajal kinni jääda või nihkuda.
10. **Veenduge, et eerungisaag on enne kasutamist paigaldatud või kinnitatud tasasele ja kindlale tööpinnale.** Tasane ja kindel tööpind vähendab eerungisae ebastabiilseks muutumise ohtu.
11. **Mõelge oma töö läbi. Iga kord, kui muudate kalde- või faasinurga seadistust, veenduge, et ka reguleeritav piire on töödeldava eseme toetamiseks korralikult seadistatud ja ei sega lõiketera ega piirdesüsteemi.** Liigutage saetera tööriista sisse lülitamata ja töödeldavat eset lauale asetamata lõpuni läbi simuleeritud lõikete veendumaks, et midagi ei takista ja pole ohtu piirdesse sisse lõigata.
12. **Lauapinnast suuremate töödeldavate esemete puhul tagage piisav tugi lauapikenduste, saepukkide jms näol.** Eerungisae lauast laiemad või pikemad töödeldavad esemed võivad halvasti toetamise korral ümber minna. Äralõigatud osa või töödeldav eseme ümberminemisel võivad nad alumise piirde üles tõsta või pöörleva tera poolt eemale paiskuda.
13. **Ärge kasutage teist inimest lauapikenduse asemel või lisatoena.** Töödeldava eseme ebakindel toetus võib põhjustada lõikamise ajal tera kinnijäämist või töödeldava eseme liikumist ning tõmmata teid ja abiliist vastu pöörlevat tera.
14. **Äralõigatavat osa ei tohi kinni jääda ega mitte mingil moel jõuga vastu pöörlevat saetera suruda.** Kinnijäämise korral, näiteks pikki pause tehes, võib ära lõigatav osa vastu tera kiiluda ja suure jõuga eemale paiskuda.
15. **Ümarate materjalide, nagu ümarlattide või torude korralikult toetamiseks tuleb alati kasutada selleks ettenähtud klambrit või kinnitust.** Ümarlatid võivad hakata lõikamise ajal veerema, põhjustades sellega tera „hammustamist“ ja tõmmates töödeldava eseme koos teie käega vastu saetera.
16. **Laske saeteral saavutada täiskiirus, enne kui viite selle vastu töödeldavat eset.** See vähendab töödeldava eseme eemale paiskumise ohtu.
17. **Kui töödeldav ese või tera jääb kinni, lülitage eerungisaag välja.** Oodake, kuni kõik liikuvad osad on seiskunud, ja tõmmake pistik toiteallikast ja/või eemaldage akupakett. Seejärel asuge eemaldama kinni jäänud materjali. Saagimise jätkamine kinni jäänud töödeldava esemega võib tuua kaasa kontrolli kaotamise või kahjustada eerungisaagi.
18. **Pärast lõikamise lõppu vabastage lüliti, hoidke saepead all, oodake, kuni tera on täielikult seiskunud, ja alles siis eemaldage ära lõigatud osa.** Käe viimine vabakäigul liikuva saetera lähedale on ohtlik.
19. **Mittetäieliku lõike tegemisel või lüliti vabastamisel, enne kui saag on täiesti alla asendisse jõudnud, hoidke tugevalt käepidemest.** Sae pidurdumine võib põhjustada saepea ootamatut allapoole tõmbamist, tekitades sellega vigastamisohu.
20. **Kasutage saeterade puhul ainult sellist läbi-mõõtu, mis on märgitud tööriistale või määratud kindlaks kasutusjuhendis.** Vale suurusega lõiketera kasutamine võib negatiivselt mõjutada lõiketera nõuetekohast kaitset või kaitsepiirde funktsioneerimist, mille tagajärjeks võib olla raske kehavigastus.
21. **Kasutage ainult selliseid saeteri, millele märgitud kiirus on võrdne tööriistale märgitud kiirusega või sellest suurem.**
22. **Kasutage saagi ainult puudu, alumiiniumi või teiste sarnaste materjalide lõikamiseks.**
23. **(Ainult Euroopa riikide puhul)**
Kasutage alati standardile EN847-1 vastavat saetera.

Lisajuhised

1. **Tehke töökoda tabalukke kasutades lastekindlaks.**
2. **Ärge kunagi seiske tööriista peal.** Tööriista ümberminemine või lõikeriistaga kogemata kokkupuutumine võib põhjustada raske vigastuse.
3. **Ärge jätke töötavat tööriista kunagi järelevalveta.** Lülitage toide välja. Ärge jätke tööriista järelevalveta enne, kui see on täielikult seiskunud.
4. **Ärge töötage saega, mille piirded ei ole omal kohal.** Enne igakordset kasutamist kontrollige terakaitse õiget sulgemist. Ärge töötage saega, kui terakaitse ei liigu vabalt ega sulgu kohe. Ärge kunagi kinnitage terakaitse klambriga ega siduge seda avatud asendisse.
5. **Hoidke käed väljaspool saetera liikumistrajektoori.** Vältige kokkupuudet mis tahes vabakäigul liikuva lõiketeraga. See võib põhjustada tõsise kehavigastuse.
6. **Vigastusohu vähendamises viige kelk pärast iga ristlõiget lõpuni tagumisse asendisse.**
7. **Enne tööriista kandmist fikseerige kõik liikuvad osad.**
8. **Lukustustihvt, mis lukustab lõikuri, on ette nähtud ainult kandmiseks ja hoiustamiseks ning ei ole mõeldud lõiketoiingute ajal kasutamiseks.**
9. **Enne toimingute tegemist kontrollige hoolikalt, et lõiketeral poleks mõrasid ega vigastusi.** Asendage pragunenud või vigastatud lõiketera viivitamatul. Kõvastunud kumm ja puuvaik lõiketeradel aeglustab sae tööd ning suurendab tagasilöögi tekkimise võimalust. Hoidke lõiketera puhtana, eemaldades selle esmalt tööriista küljest, seejärel puhastades seda kummi- ja puuvaigu eemaldusvahendi, kuuma vee või petrooleumiga. Ärge kasutage kunagi tera puhastamiseks bensiini.

10. Liuglõike tegemisel võib toimuda TAGASILÕÖK. TAGASILÕÖK toimub, kui tera jääb lõikamise ajal töödeldavasse esemesse kinni ja saetera liigub kiirelt operaatori poole. Tulemuseks võib olla kontrolli kaotamine ja raske kehavigastus. Kui tera hakkab lõikamise ajal kinni jääma, ärge jätkake lõikamist ja vabastage kohe lüliti.
11. Kasutage ainult äärikuid, mis on mõeldud kasutamiseks koos selle tööriistaga.
12. Olge ettevaatlik, et mitte kahjustada võlli, äärikuid (eriti paigalduspinda) ega polti. Nende osade kahjustused võivad põhjustada ketta purunemise.
13. Veenduge, et pöördalus oleks õigesti kin- nitatud, nii et see töötamise ajal ei liiguks. Kasutage alusel olevaid avasid, et kinnitada saag stabiilse tööplatvormi või -pingi külge. ÄRGE kunagi kasutage tööriista, kui operaatori asend on ebaloomulik.
14. Enne lüliti sissevajutamist veenduge, et võl- lilukk oleks vabastatud.
15. Veenduge, et lõiketera ei puudutaks oma kõige madalamas asendis pöördalust.
16. Hoidke kindlalt käepidemest. Pange tähele, et käivitamisel ja seiskamisel liigub saag veidi üles või alla.
17. Veenduge, et lihvketas ei puutuks enne töö- riista sisselülitamist vastu töödeldavat detaili.
18. Enne tööriista kasutamist töödeldaval esemel laske sellel mõnda aega koormuseta töötada. Olge tähelepanelik vibratsiooni või vibamise suhtes, mis võib anda märku väärist paigaldu- sest või halvasti tasakaalustatud lõiketerast.
19. Kui märkate midagi ebaharilikku, peatage töö viivitamatult.
20. Ärge püüdke lukustada päästikut sisselülita- tud (ON) asendis.
21. Kasutage alati selles kasutusjuhendis soo- vitatud tarvikuid. Sobimatute tarvikute, nagu sobimatute abrasiivketaste, kasutamine võib põhjustada kehavigastuse.
22. Mõned materjalid võivad sisaldada mürgiseid aineid. Võtke meetmed tolmu sissehinga- mise ja nahaga kokkupuutumise vältimiseks. Järgige materjali tarnija ohutusteavet.

Laserit puudutavad lisaohutusnõuded

1. LASERKIIRGUS, ÄRGE VAADAKE KIIRTESSE EGA VAADAKE KIIRI OTSE OPTILISTE INSTRUMENTIDEGA, 2M KLASSI LASERTOODE.

HOIDKE JUHEND ALLES.

⚠HOIATUS: ÄRGE UNUSTAGE järgida toote ohutusnõudeid mugavuse või toote (korduskasu- tamisega saavutatud) hea tundmise tõttu. VALE KASUTUS või kasutusjuhendi ohutuseeskirjade eiramine võib põhjustada tervisekahjustusi.

Akukassetiga seotud olulised ohutusjuhised

1. Enne akukasseti kasutamist lugege (1) akulaa- dijali, (2) akul ja (3) seadmel olevad juhtnõidrid ja hoiatused läbi.
2. Ärge võtke akukassetti lahti.
3. Kui tööaeg järsult lüheneb, siis lõpetage kohe kasutamine. Edasise kasutamise tulemuseks võib olla ülekuumenemisoht, võimalikud põle- tused või isegi plahvatus.
4. Kui elektrolüüti satub silma, siis loputage silma puhta veega ja pöörduge koheselt arsti poole. Selline õnnetus võib põhjustada pimedaksjäämist.
5. Ärge tekitage akukassetis lühist:
 - (1) Ärge puutuge klemme elektrijuhtidega.
 - (2) Ärge hoidke akukassetti tööriistakastis koos metallesemetega, nagu naelad, mündid jne.
 - (3) Ärge tehke akukassetti märjaks ega jätke seda vihma kätte.

Aku lühis võib põhjustada tugevat elektri- voolu, ülekuumenemist, põletusi ning ka sea- det tõsiselt kahjustada.
6. Ärge hoidke tööriista ja akukassetti kohtades, kus temperatuur võib tõusta üle 50 °C.
7. Ärge põletage akukassetti isegi siis, kui see on saanud tõsiselt vigastada või on täiesti kulu- nud. Akukassett võib tules plahvatada.
8. Olge ettevaatlik, ärge laske akul maha kukkuda ja vältige lööke.
9. Ärge kasutage kahjustatud akut.
10. Sisalduvatele liitium-ioonakudele võivad kohalduda ohtlike kaupade õigusaktide nõu- ded.

Kaubanduslikul transportimisel, näiteks kolman- date poolte või transpordiettevõtete poolt, tuleb järgida pakendil ja siltidel toodud erinõudeid. Transportimiseks ettevalmistamisel on vajalik pidada nõu ohtliku materjali ekspordiga. Samuti tuleb järgida võimalike riiklike regulatsioonide üksikasjalikumaid nõudeid.

Katke teibiga või varjake avatud kontaktid ja pakendage aku selliselt, et see ei saaks pakendis liikuda.
11. Järgige kasutuskõlbmatuks muutunud aku käitlemisel kohalikke eeskirju.
12. Kasutage akusid ainult Makita heaks kiidetud toodetega. Akude paigaldamine selleks mitte ettenähtud toodetele võib põhjustada süttimist, ülemaärast kuumust, plahvatamist või elektrolüüdi lekkimist.

HOIDKE JUHEND ALLES.

⚠ETTEVAATUST: Kasutage ainult Makita originaalakusid. Mitte Makita originaalakude või muudetud akude kasutamine võib põhjustada akude süttimise, kehavigastuse ja kahjustuse. Samuti muu- dab see kehtetuks Makita tööriista ja laadija Makita garantii.

Vihjeid aku maksimaalse kasutaja tagamise kohta

1. Laadige akukassetti enne selle täielikku tühjenemist. Kui märkate, et tööriist töötab väiksema võimsusega, peatage töö ja laadige akukassetti.
2. Ärge laadige täielikult laetud akukassetti. Ülelaadimine lühendab akude kasutusiga.
3. Laadige akukassetti toatemperatuuril 10 °C - 40 °C. Enne laadimist laske kuumenenud akukassett maha jahtuda.
4. Kui te ei kasuta akukassetti kauem kui kuus kuud, laadige see.

Juhtmeta seadmega seotud olulised ohutusjuhised

1. Ärge võtke juhtmeta seadet lahti ega muutke seda omavoliliselt.
2. Hoidke juhtmeta seadet lastele kättesaamatus kohas. Kogemata allaneelamise korral pööruda kohe arsti poole.
3. Kasutage juhtmeta seadet ainult koos Makita tööriistadega.
4. Ärge jätke juhtmeta seadet vihma kätte ega märga keskkonda.
5. Ärge kasutage juhtmeta seadet kohtades, kus temperatuur on üle 50 °C.
6. Ärge kasutage juhtmeta seadet kohtades, kus leidub meditsiinilisi seadmeid, nagu südamestimulaatorid.
7. Ärge kasutage juhtmeta seadet kohtades, kus leidub automatiseeritud seadmeid. Muidu võib automatiseeritud seadmetel esineda talitushäireid või need võivad minna rikki.
8. Juhtmeta seadmed võivad tekitada elektromagnetvälju (EMV), mis ei ole kasutajale kahjulikud.
9. Juhtmeta seade on täppisseade. Olge ettevaatlik, ärge laske juhtmevabal seadmel maha kukkuda ja vältige lööke.
10. Ärge puudutage juhtmeta seadme klemmi paljaste käte või metallesemetega.
11. Juhtmeta seadme tööriista sisse paigaldamisel eemaldage tööriistast alati aku.
12. Ärge avage pesa katet kohas, kus tolm või vesi võivad pesasse sattuda. Hoidke pesa siselaskeava alati puhtana.
13. Sisestage juhtmeta seade alati õiges suunas.
14. Ärge vajutage juhtmeta seadme juhtmeta aktiveerimise nupule liiga tugevalt ja/või ärge tehke seda teravate servadega esemega.
15. Sulgege pesa kaas alati pärast kasutamist.
16. Ärge eemaldage juhtmeta seadet pesast ajal, kui tööriista varustatakse toitega. Selle juhise järgimata jätmine võib tekitada juhtmeta seadme talitlushäireid.
17. Ärge eemaldage juhtmevabalt seadmelt kleebist.
18. Ärge pange juhtmevabale seadmele mingeid kleebiseid.
19. Ärge jätke juhtmeta seadet kohta, kus võib esineda staatilist elektrit või elektrilist müra.
20. Ärge jätke juhtmeta seadet kohta, kus on väga kuum, nt päikese kätte seisvasse autosse.
21. Ärge jätke juhtmeta seadet tolmusesse või pulbrilisse kohta või kohta, kus võib esineda söövitavaid gaase.
22. Äkiline temperatuuri muutumine võib tekitada juhtmeta seadme pinnale niiskuskihhi. Ärge kasutage juhtmeta seadet enne, kui kogunenud niiskus on täielikult ära kuivanud.
23. Juhtmeta seadme puhastamisel pühkige seda õrnalt pehme lapiga. Ärge kasutage bensiini, lahusteid, juhtivaid määrdeid vms.
24. Juhtmeta seadme hoiustamisel hoidke seda komplekti kuuluvas karbis või staatikavabas konteineris.
25. Ärge sisestage tööriista pesasse muid seadmeid kui Makita juhtmeta seade.
26. Ärge kasutage tööriista, kui pesa kaas on kahjustunud. Pessa sattuvad vesi, tolm või mustus võivad põhjustada talitushäireid.
27. Ärge tõmmake ega väänake pesa katet rohkem kui vajalik. Kui tööriistalt tuleb kaas ära, siis pange see oma kohale tagasi.
28. Asendage pesa kaas, kui see on läinud kaduma või kahjustunud.

HOIDKE JUHEND ALLES.

OSADE KIRJELDUS

► Joon.2

| | | | | | | | |
|----|---|----|-------------------------------------|----|-----------------------------------|----|--|
| 1 | Liugvarras | 2 | Lukustustihvt (kelgu libistamiseks) | 3 | Vertikaalne kinnitusrakis | 4 | Vabastamisnupp (parema külje kaldenurga jaoks) |
| 5 | Hoidik | 6 | Pöördalus | 7 | Osuti (eerunginurgale) | 8 | Eerunginurga skaala |
| 9 | Otsamislaud | 10 | Terakarp | 11 | Reguleerimiskruvi (laserijoonele) | 12 | Ulatus reguleerimiskruvi (laserijoonele) |
| 13 | Terakaitse | 14 | Nupp (kaldenurgale) | 15 | Kuuskantvõti | 16 | Reguleerimiskruvi (alumine piirasend) |
| 17 | Reguleerimispoltt (maksimaalne saagimisjõudlus) | 18 | Stopperlatt | 19 | Akukassett | 20 | Lukustushoob (pöördalusele) |
| 21 | Vabastushoob (pöördalusele) | 22 | Käepide (pöördalusele) | - | - | - | - |

► Joon.3

| | | | | | | | |
|----|---|----|---------------------------------|----|------------------------------|----|---|
| 1 | Lüliti päästik | 2 | Lahtilukustusnupp | 3 | Ava tabaluku jaoks | 4 | Kaas (juhtmevaba seadme jaoks) (ainult mudeli DLS111 puhul) |
| 5 | Lüliti (laseriliinile) (ainult mudelile DLS111, DLS112) | 6 | Akunäidik | 7 | Režiiminäidik | 8 | Kontrollimise nupp |
| 9 | Juhtmeta aktiveerimise nupp | 10 | Juhtmeta aktiveerimise tuli | 11 | Voolik (tolmuärastuseks) | 12 | Lukustustihvt (kelgu tõstmiseks) |
| 13 | Juhtpiire (alumine piire) | 14 | Juhtpiire (ülemine piire) | 15 | Tolmukott | 16 | 0° reguleerimispoltt (kaldenurgale) |
| 17 | Kaldenurga skaala | 18 | Vabastushoob (48° kaldenurgale) | 19 | Riivistushoob (kaldenurgale) | 20 | Osuti (kaldenurgale) |
| 21 | 45° reguleerimispoltt (kaldenurgale) | - | - | - | - | - | - |

PAIGALDAMINE

Käepideme paigaldamine

Keerake käepideme keermestatud võlli pöördulesse.

► **Joon.4:** 1. Käepide 2. Pöördules

Tolmuärastusvooliku paigaldamine

Ühendage tolmuärastusvoolik joonisel näidatud viisil tööriistaga.

Veenduge, et põlvliitmik ja hüls sobiks korralikult tööriista avadega.

► **Joon.5:** 1. Tolmuärastusvoolik 2. Põlv 3. Hüls 4. Ava

Paigaldamine lauale

Tööriista tarnimisel on käepide lukustatud lukustustihvti abil langetatud asendisse. Käepidet kergelt langetades tõmmake lukustustihvti ja pöörake seda 90°.

► **Joon.6:** 1. Lukustatud asend 2. Avatud asend 3. Lukustustihvt

Tööriista tuleks nelja poldiga tasase ja stabiilse pinna külge kinnitada, kasutades tööriista alusel olevaid poldiauke. See aitab vältida kummulimineku ja võimalikke vigastusi.

► **Joon.7:** 1. Polt

⚠ HOIATUS: Veenduge, et masin ei liiguks tugipinnal. Kui eeringisaag liigub saagimise ajal tugipinnal, võib see lõppeda kontrolli kaotamisega seadme üle ja tõsise vigastusega.

FUNKTSIONAALNE KIRJELDUS

⚠ HOIATUS: Kandke alati hoolt selle eest, et tööriist oleks enne selle reguleerimist või funktsioonide kontrollimist välja lülitatud ning akukassett eemaldatud. Kui jätta tööriist välja lülitamata ja akukassett eemaldamata, võib selle tagajärjeks olla tööriista juhuslikust käivitumisest tingitud raske kehavigastus.

Akukasseti paigaldamine või eemaldamine

⚠ ETTEVAATUST: Lülitage tööriist alati enne akukasseti paigaldamist või eemaldamist välja.

⚠ ETTEVAATUST: Akukasseti paigaldamisel või eemaldamisel tuleb tööriista ja akukassetti kindlalt paigal hoida. Kui tööriista ja akukassetti ei hoita kindlalt paigal, võivad need käest libiseda ning kahjustada tööriista ja akukassetti või põhjustada kehavigastusi.

► **Joon.8:** 1. Punane näidik 2. Nupp 3. Akukassett

Akukasseti eemaldamiseks libistage see tööriista küljest lahti, vajutades kasseti esiküljel paiknevat nuppu alla.

Akukasseti paigaldamiseks joondage akukasseti keel korpuse soonega ja libistage kassett oma kohale. Paigaldage akuadapter alati nii kaugele, et see lukustuks klõpsatusega oma kohale. Kui näete nupu ülaosas punast osa, pole kassett täielikult lukustunud.

⚠ ETTEVAATUST: Paigaldage akukassett alati täies ulatuses nii, et punast osa ei jääks näha. Muidu võib adapter juhuslikult tööriistast välja kukkuda ning põhjustada teile või läheduses viibivatele isikutele vigastusi.

⚠ ETTEVAATUST: Ärge rakendage akukasseti paigaldamisel jõudu. Kui kassett ei lähe kergesti sisse, pole see õigesti paigaldatud.

MÄRKUS: Tööriist ei tööta ainult ühe akukassetiga.

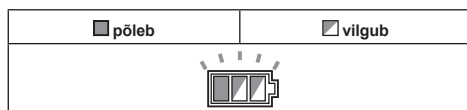
Tööriista/aku kaitsesüsteem

Tööriist on varustatud tööriista või aku kaitsesüsteemiga. Süsteem lülitab mootori automaatselt välja, et pikendada tööriista ja aku tööiga. Tööriist seiskub käitamise ajal automaatselt, kui tööriista või aku kohta kehtib üks järgmistest tingimustest.

Ülekoormuskaitse

Kui tööriista kasutamise käigus hakkab see tarbima ebaharilikult palju voolu, peatub tööriist automaatselt ilma igasuguse signaalita. Sellisel juhul lülitage tööriist välja ning lõpetage tööriista ülekoormuse põhjustanud tegevus. Pärast seda käivitage tööriist uuesti.

Ülekuumenemiskaitse



Kui tööriist on ülekuumenenud, seiskub see automaatselt ja aku indikaator vilgub umbes 60 sekundit. Sellises olukorras laske tööriistal maha jahtuda enne, kui selle uuesti sisse lülitate.

Ülelaadimiskaitse

Kui aku laetuse tase on madal, siis seiskub tööriist automaatselt. Kui seade ei hakka tööle ka lülitite kasutamisel, eemaldage tööriistast akud ja laadige neid.

Aku jääkmahutavuse näit

► **Joon.9:** 1. Akunäidik 2. Kontrollimise nupp

Aku järelejäänud mahutavuse kontrollimiseks vajutage kontrollimise nappu. Kummalgi akul on oma akuindikaator.

| Akunäidiku olek | | | Aku jääkmahutavus |
|--------------------------------|----------------------------------|---------------------------------|-------------------|
| <input type="checkbox"/> Põleb | <input type="checkbox"/> Ei põle | <input type="checkbox"/> Vilgub | |
| | | | 50% kuni 100% |
| | | | 20% kuni 50% |
| | | | 0% kuni 20% |
| | | | Laadige akut |

Aku jääkmahutavuse näit

Ainult näidikuga akukassettidele

► **Joon.10:** 1. Märkulambid 2. Kontrollimise nupp
Akukasseti järelejäänud mahutavuse kontrollimiseks vajutage kontrollimise nappu. Märkulambid süttivad mõneks sekundiks.

| Märkulambid | | | Jääkmahutavus |
|--------------------------------|----------------------------------|---------------------------------|-----------------------|
| <input type="checkbox"/> Põleb | <input type="checkbox"/> Ei põle | <input type="checkbox"/> Vilgub | |
| | | | 75 - 100% |
| | | | 50 - 75% |
| | | | 25 - 50% |
| | | | 0 - 25% |
| | | | Laadige akut. |
| | | | Akul võib olla tõrge. |

MÄRKUS: Näidatud mahutavus võib veidi erineda tegelikust mahutavusest olenevalt kasutustingimustest ja ümbritseva keskkonna temperatuurist.

Automaatne kiiruse muutmise funktsioon

► **Joon.11:** 1. Režiiminäidik

| Režiiminäidiku olek | | Töörežiim |
|-----------------------------|-------------------------------|----------------------------|
| <input type="radio"/> Põleb | <input type="radio"/> Ei põle | |
| | | Suure kiiruse režiim |
| | | Suure pöördemomendi režiim |

Tööriistal on „suure kiiruse režiim” ja „suure pöördemomendi režiim”. Töörežiimi muudetakse automaatselt olenevalt töökoormusest. Kui režiimindikaator hakkab käitamise ajal põlema, siis on tööriist suure pöördemomendi režiimis.

Terakaitse

► **Joon.12:** 1. Terakaitse

Käepideme langetamisel tõuse terakaitse automaatselt. Kaitse on varustatud tagasi tõmbevedruga, naastes pärast löike tegemist ja käepideme tõstmist oma algsele kohale.

HOIATUS: Terakaitset ega kaitsme külge kinnitatud vedru ei tohi kunagi kõrvale pöörata ega eemaldada. Kõrvale pööratud kaitsme tõttu paljastatud saeketas võib kasutamisel põhjustada tõsisid vigastusi.

Teie enda turvalisuse huvides hoidke terakaitse heas seisukorras. Igasugune kõrvalekalle terakaitse töös tuleb kohe kõrvaldada. Kontrollige terakaitse tagasi tõmbevedru töökorda.

⚠HOIATUS: Ärge mitte mingil kasutage saagi, kui terakaitse või vedru on kahjustatud, defektne või eemaldatud. Katkise, rikkis või eemaldatud kaitsmega masina kasutamine võib lõppeda tõsise vigastusega.

Kui läbipaistev terakaitse määrub või sellele koguneb tera ja/või töödeldava detaili nähtavalt halvendav saepuru, eemaldage akud ja puhastage kaitset hoolikalt niiske lapiga. Ärge kasutage plastkaitse puhastamiseks lahusteid või naftapõhiseid puhastusvahendeid, sest need võivad kaitset kahjustada.

Kui terakaitse on eriti määrunud ja selle läbinähtavus on vähenenud, eemaldage akud ja keerake keskmist katet hoiveid kuuskantpolt kaasasoleva mutrivõtmega lahti. Keerake kuuskantpolti vastupäeva ning tõstke terakaitse ja keskmine kate üles. Nüüd, mil terakaitse on sellises asendis, saab seda põhjalikult ja tõhusamalt puhastada. Pärast puhastamist korra ülaltoodud toimingut vastupidises järjekorras ning keerake polt kinni. Ärge eemaldage terakaitset kinni hoidvat vedru. Kui kaitsme värv UV-kiirguse või vananemise tõttu moonduv, võtke ühendust Makita teeninduskeskusega. **KAITSE KÕRVALPEÕÖRAMINE VÕI EEMALDAMINE ON KEELATUD.**

▶ **Joon.13:** 1. Keskmine kate 2. Kuuskantvõti 3. Terakaitse

Otsamislaud

See tööriist on varustatud pöördplaadil olevate otsamislaudadega, mis minimeerivad lõike väljumiskülje rebimist. Otsamislaud on tehases reguleeritud nii, et saetera ei puutuks nende vastu. Enne kasutamist reguleerige otsamislaudu järgmiselt:

▶ **Joon.14:** 1. Otsamislaud

▶ **Joon.15:** 1. Vasakpoolne fassetlõikamine 2. Sirglõikuis 3. Parempoolne fassetlõikamine 4. Saetera 5. Tera hammas 6. Otsamislaud

Kõigepealt eemaldage akud. Vabastage kõik kruvid (2 vasakul ja 2 paremal), millega otsamislaud on kinnitatud, kuni otsamislaudu saab vabalt käega liigutada. Langetage käepide lõpuni alla, tõmmake ja pöörake seejärel lukustustihvti, et lukustada käepide langetatud asendisse. Vabastage liugvarda lukustustihvt ja tõmmake kelk lõpuni enda poole. Reguleerige otsamislaudu nii, et need puudutaksid napilt saehammaste külgi. Kinnitage eesmised kruvid (ärge keerake kõvasti kinni). Lükake kelk lõpuni juhtpiirde poole ja reguleerige otsamislaudu nii, et need puudutaksid napilt saehammaste külgi. Kinnitage tagumised kruvid (ärge keerake kõvasti kinni).

Pärast otsamislaudade reguleerimist vabastage lukustustihvt ja tõstke käepidet. Seejärel kinnitage kõik kruvid tugevasti.

TÄHELEPANU: Pärast kaldenurga seadistamist veenduge, et otsamislaud oleksid korralikult seadistatud. Otsamislaudade õige seadistamine aitab tagada töödeldavale esemele korraliku toe, vähendades selle purunemise ohtu.

Maksimaalse saagimisjõudluse tagamine

Masina tehaseadistus pakub 260 mm saeteraga saagimisel maksimaalset saagimisjõudlust.

Uue tera paigaldamisel kontrollige alati tera alumist pii-rasendit ja vajaduse korral reguleerige seda järgmiselt:

Kõigepealt eemaldage akud. Keerake lukustushoob rakendusasendisse.

▶ **Joon.16:** 1. Lukustushoob

Lükake kelk lõpuni juhtpiirde vastu ja langetage käepide lõpuni alla.

Reguleerige tera asendit, keerates reguleerimispoliti kuuskantvõtmega. Tera äär peab ulatuma kergelt pöör-daluse ülemise pinna alla ja samuti punkti, kus juht-piirde esipind puutub vastu pöördaluse ülemist pinda.

▶ **Joon.17:** 1. Reguleerimispoliti

▶ **Joon.18:** 1. Eerungiplaadi pealmine pind 2. Tera serv 3. Juhtpiire

Kui akud on eemaldatud, pöörake tera käega, hoides samal ajal käepidet all, et tera ei puutuks vastu alust. Vajaduse korral reguleerige veidi. Vajaduse korral regu-leerige veidi.

Pärast reguleerimist suunake lukustushoob alati esial-gesse asendisse tagasi.

⚠HOIATUS: Uue saeketta paigaldamise järel (akud peavad olema eemaldatud) veenduge alati selles, et ketas ei satuks käepideme alumise asendi korral kokkupuutesse aluse ühegi osaga. Saeketta kokkupuude alusega võib kaasa tuua taga-silööke ja põhjustada tõsiseid vigastusi.

Stopperlatt

Tera alumist piirasendit saab stopperlati abil hõlpsasti reguleerida. Reguleerimiseks keerake stopperlati noole suunas, nagu on joonisel näidatud. Keerake reguleeri-miskruvi nii, et käepideme langetamisel madalaimasse asendisse peatuks tera soovitud asendis.

▶ **Joon.19:** 1. Stopperlatt 2. Reguleerimiskruvi

Eerunginurga reguleerimine

⚠ETTEVAATUST: Pärast eerunginurga regu-leerimist kinnitage eerungiplaat pideme abil alati korralikult.

TÄHELEPANU: Eerungiplaadi keeramisel tõstke käepide kindlasti kõrgeimasse asendisse.

▶ **Joon.20:** 1. Lukustushoob 2. Käepide 3. Vabastushoob 4. Osuti

Pöördaluse vabastamiseks keerake käepidet vastu-päeva. Pöördaluse liigutamiseks keerake käepidet ja hoidke samal ajal all lukustushooba. Viige osuti skaa-lal kohakuti soovitud nurgaga ja pingutage seejärel käepidet.

MÄRKUS: Vabastushooba vajutades on teil võimalik liigutada pöördalust ilma lukustushooba all hoidmata. Soovitud asendi saavutamisel pingutage käepidet.

Eerungisael on sundasendi funktsioon. Teil on võimalik seadistada kiirelt 0°, 15°, 22,5°, 31,6°, 45° ja 60° parem-/vasakpoolset eerunginurka. Funktsiooni kasutamiseks viige pöördalus soovitud sundasendi lähedale, hoides lukustushooba samal ajal all. Seejärel vabastage lukustushoob ja viige pöördalus ette, kuni pöördalus on lukustunud.

Kaldenurga reguleerimine

TÄHELEPANU: Enne kaldenurga reguleerimist eemaldage alati ülemine juhtpiire ja vertikaalne kinnitusrakis.

TÄHELEPANU: Kaldenurga muutmisel veenduge, et asetaksite otsamislaudu nii, nagu on kirjeldatud lõigus „Otsamislaud“.

TÄHELEPANU: Saetera kallutamisel tõstke käepide kindlasti kõrgeimasse asendisse.

TÄHELEPANU: Ärge pingutage nuppu liiga tugevalt. See võib põhjustada kaldenurga lukustusmehhanismi rikke.

1. Keerake liugvardal asuvat nuppu vastupäeva.
▶ **Joon.21:** 1. Nupp
2. Tõmmake ja keerake riivistushoob näidatud viisil asendisse.
▶ **Joon.22:** 1. Riivistushoob
3. Viige osuti kelku liigutades skaalal kohakuti soovitud nurgaga ja pingutage seejärel nuppu.
▶ **Joon.23:** 1. Kaldenurga skaala 2. Osuti

Kelgu paremale kallutamiseks suunake kelku kergelt vasakule ja seejärel paremale, vajutades samas alla vabastusnuppu.

▶ **Joon.24:** 1. Vabastusnupp

Suurema kui 45° fassetiõikamise puhul liigutage kelku, libistades samal ajal vabastushooba tööriista esiosa poole. Teil on võimalik teostada kuni 48° fassetiõikamist.

▶ **Joon.25:** 1. Vabastushoob

Eerungisael on sundasendi funktsioon. Teil on võimalik seadistada kiirelt 22,5° ja 33,9° nurka nii vasakule kui paremale poole. Seadke riivistushoob juonisel näidatud asendisse ja kallutage kelku. Nurga muutmiseks tõmmake riivistushooba ja kallutage kelku.

▶ **Joon.26:** 1. Riivistushoob

⚠ETTEVAATUST: Pärast kaldenurga muutmist tuleb nupp alati fikseerida.

Libistamisluuk

Kelgu libistamisliikumise lukustamiseks suruge kelku ette juhtpiirde poole kuni lõpuni. Tõmmake lukustustihvti va ja keerake seda 90°.

▶ **Joon.27:** 1. Avatud asend 2. Lukustatud asend 3. Lukustustihvt

Lüliti funktsioneerimine

⚠HOIATUS: Kontrollige alati enne akude tööriista külge paigaldamist, kas lüliti päästik funktsioneerib nõuetekohaselt ja liigub lahtilaskmisel tagasi väljalülitatud asendisse. Ärge tõmmake lüliti päästikut tugevasti ilma lahtilukustusnupu vajutamata. See võib põhjustada lüliti purunemise. Tööriista juhtimine lüliti abil, mis ei toimi korralikult, võib kaasa tuua kontrolli kaotamise sae üle ja põhjustada tõsiseid vigastusi.

⚠HOIATUS: ÄRGE KUNAGI kasutage tööriista, kui lüliti päästik ei ole täielikus töökorras. Mis tahes masin, mille lüliti on korras ära, on ÜLIMALT OHTLIK ja vajab enne edasist kasutamist remonti, sest muidu võite saada tõsiselt vigastada.

⚠HOIATUS: Lahtilukustusnupu fikseerimine kleepilindi vms-ga on KEELATUD. Inaktiveeritud lahtilukustusnupuga lüliti võib põhjustada masina soovimatut sisselülitumise, millega kaasnevad tõsised vigastused.

⚠HOIATUS: ÄRGE kasutage KUNAGI masinat, kui see käivitub ka siis, kui lahtilukustusnupu vajutamata vajutate lihtsalt lüliti päästikut. Remonti vajav lüliti võib põhjustada masina soovimatut sisselülitumise, millega kaasnevad tõsised vigastused. ENNE edasist kasutamist viige masin parandamiseks Makita teeninduskeskusesse.

▶ **Joon.28:** 1. Lüliti päästik 2. Lahtilukustusnupp 3. Ava tabaluku jaoks

Lüliti päästiku juhusliku vajutamise vältimiseks on tööriistal blokeerimisnupp. Tööriista käivitamiseks vajutage lahtilukustusnupu sisse ning tõmmake lüliti päästikut. Vabastage lüliti päästik tööriista seiskamiseks. Tööriista lukustamiseks on lüliti päästikul ava, mille külge paigaldatakse tabalukk.

⚠HOIATUS: Ärge kasutage tabalukku, mille varb või kaabel on väiksema läbimõõduga kui 6,35 mm (1/4"). Väiksem vars või kaabel ei pruugi tööriista korralikult väljalülitatud asendisse lukustada ja tööriista kogemata käivitamine võib põhjustada tõsiseid vigastusi.

Elektroniline funktsioon

Püsikiiruse juhtimine

Saag on varustatud elektronilise kiirusregulaatoriga, mis hoiab alal saeketta ühtlast pöörlemiskiirust isegi koormuse all. Saeketta ühtlane pöörlemiskiirus tagab väga ühtlase saagimise.

Sujukäivituse funktsioon

See funktsioon võimaldab käivitamise väändejõudu piirates tööriista sujuvalt käivitada.

Laserikiire funktsioon

Ainult mudelile DLS111, DLS112

⚠ETTEVAATUST: Ärge kunagi vaadake otse laserikiirde. Otsene laserkiir võib silmi kahjustada.

Laserikiire sisselülitamiseks vajutage lüliti ülemist osa (1). Laserikiire väljalülitamiseks vajutage lüliti alumisele osale (0).

► Joon.29: 1. Laseri lüliti

Laserijoont saab nihutada saeterast nii vasakule kui ka paremale, keerates reguleerimiskruvisid järgmiselt.

► Joon.30: 1. Reguleerimiskruvi

1. Keerake reguleerimiskruvi vastupäeva lahti.
2. Kui reguleerimiskruvi on lahti keeratud, libistage see lõpuni paremale või vasakule.
3. Keerake reguleerimiskruvi asendis, kus see libisemise lõpetas, tugevasti kinni.

MÄRKUS: Laserijoon on tehases reguleeritud nii, et see paikneb kuni 1 mm kaugusel tera küljepinnast (lõikeasend).

MÄRKUS: Kui laserikiir näib otsese päikesevalguse tõttu tuhmi ja raskesti märgatavana, viige tööala kohta, kus otsest päikesevalgust on vähem.

Laserijoone joondamine

Seedke lõikejoon töödeldaval detailil kohakuti laserijoonega.

► Joon.31

- A) Kui soovite saavutada õiget suurust töödeldava eseme vasakul küljel, nihutage laserijoont terast vasakule.
B) Kui soovite saavutada õiget suurust töödeldava eseme paremal küljel, nihutage laserijoont terast paremale.

MÄRKUS: Liitlõikamisel (kaldenurk 45° kraadi ja eeringinurk 45° kraadi paremale) pange lõikejoone ja laserijoone kohakuti seadmiseks vastu juhtpiiret puitaaris.

KOKKUPANEK

⚠HOIATUS: Kandke alati hoolt selle eest, et tööriist oleks enne selle reguleerimist välja lülitatud ning akukassett eemaldatud. Kui jätate seadme välja lülitamata või aku eemaldamata, võib see lõppeda tõsise kehavigastusega.

Kuuskantvõtme hoiulepanek

Kui kuuskantvõtit ei kasutata, pange see kaotamise vältimiseks joonisel näidatud viisi hoiule.

► Joon.32: 1. Kuuskantvõti

Saetera eemaldamine ja paigaldamine

⚠HOIATUS: Veenduge alati enne saeketta paigaldamist või eemaldamist, et tööriist oleks välja lülitatud ja akukassett eemaldatud. Masina juhuslik sisselülitamine võib põhjustada tõsiseid vigastusi.

⚠HOIATUS: Kasutage tera paigaldamiseks ja eemaldamiseks ainult kaasasolevat Makita mutrivõtit. Kui võtit ei kasutata, siis võib selle tulemuseks olla liiga kõvasti või liiga lõdvalt kinni keeratud kuuskantpesapolt ning tõsine vigastus.

Tera paigaldamisel ja eemaldamisel lukustage kelk alati tõstetud asendisse. Tõmmake lukustustihvti ja keerake seda 90°, kui kelk on tõstetud asendis.

► Joon.33: 1. Avatud asend 2. Lukustatud asend 3. Lukustustihvt

Tera eemaldamine

Keerake keskkatet kinnihoidev kuuskantpolt kuuskantvõtmega lahti. Tõstke terakaitse ja keskmine kate üles.

► Joon.34: 1. Keskmine kate 2. Kuuskantvõti 3. Terakaitse

Vajutage võlli lukustamiseks võllilukku ja keerake kuuskantpesapolt kuuskantvõtmega lahti. Seejärel eemaldage kuuskantpesapolt, välimine äärik ja saeketas.

► Joon.35: 1. Võllilukk 2. Kuuskantvõti 3. Kuuskantpesapolt (vasakkeermega) 4. Lõdvendamine 5. Pingutamise

Tera paigaldamine

Paigaldage tera ettevaatlikult võllile, veendudes, et tera pinnal oleva noole suund kattub terakorpusel oleva noole suunaga.

► Joon.36: 1. Terakarbil asuv nool 2. Teral asuv nool

Paigaldage välisäärik ja kuuskantpesapolt. Pingutage kuuskantpesapolti kuuskantvõtmega vastupäeva, surudes samal ajal võllilukule.

► Joon.37: 1. Kuuskantpesapolt 2. Välisäärik 3. Saetera 4. Siseäärik 5. Spindel 6. Rõngas

TÄHELEPANU: Kui sisemine äärik eemaldatakse, paigaldage see kindlasti spindlile, kusjuures eenduv esikülg peab jääma saekettast eemale. Ääriku vale paigaldamise korral hakkab see hõõrduma vastu masinat.

Viige terakaitse ja keskmine kate tagasi algasendisse. Seejärel keerake kuuskantpolt keskmise katte fikseerimiseks päripäeva kinni. Vabastage lukustustihvt, et vabastada kelk tõstetud asendist. Langetage käepide, et veenduda terakaitse korralikus liikumises. Enne lõike tegemist veenduge, et võllilukk oleks võlli vabastanud.

⚠HOIATUS: Enne tera paigaldamist spindlile veenduge alati, et sise- ja välisääriku vahele oleks paigaldatud kasutatava tera võlliavaga kokkusobiv rõngas. Vale võlliava rõnga kasutamine võib kaasa tuua tera vale paigalduse, mis põhjustab saetera lengerdamist ja tugevat vibratsiooni, mis võib omakorda põhjustada kontrolli kaotust tööriista üle ning raskeid kehavigastusi.

Tolmuimeja ühendamine

Kui soovite puhtamalt lõigata, ühendage tolmuotsik esimansette 24 (valikuline tarvik) kasutades Makita tolmuimejaga.

► Joon.38: 1. Esimansetid 24 2. Voolik 3. Tolmuimeja

Tolmukott

Tolmukoti kasutamine muudab lõikamistöõ puhtaks ja kergendab tolmu kogumist. Tolmukoti kinnitamiseks eemaldage tööriistal asuv tolmuärastusvoolik ja ühendage tolmukott.

► Joon.39: 1. Tolmuärastusvoolik 2. Tolmukott

Kui tolmukott on umbes poolenisti täis, eemaldage see tööriista küljest ja tõmmake kinnitusvahend välja. Tühjendage tolmukott, koputades seda kergelt, et eemaldada külgedele kinnitunud osakesed, mis võivad takistada edasist tolmukogumist.

► **Joon.40:** 1. Kinnitusvahend

Töödeldava detaili fikseerimine

▲HOIATUS: Äärmiselt tähtis on fikseerida töödeldav ese alati korrektselt õiget tüüpi kinnitusrakise või kaareprofiili stopperitega. Muidu võib tulemuseks olla tõsine vigastus ja masina ja/või töödeldava eseme kahjustamine.

▲HOIATUS: Saeketast ei tohi pärast saagimist tõsta üles enne, kui see on täielikult seiskunud. Pöörleva saeketta ülestõstmine võib põhjustada tõsiseid vigastusi ja kahjustada töödeldavat eset.

▲HOIATUS: Sae tugialusest pikema eseme saagimisel tuleb eseme tugialusest üleulatuv osa täies pikkuses toestada, tagades sealjuures eseme rõhtsuse samal kõrgusel. Töödeldava eseme korralik toestamine hoiab ära saeketta kiilumise ja võimalikud tagasilöögid, mis võivad kaasa tuua tõsiseid vigastusi. Ärge piirduge töödeldava detaili ainult vertikaalse ja/või horisontaalse kinnitusrakisega fikseerimisega. Õhukesed materjalid kipuvad koolduma. Toestage töödeldav detail terves ulatuses, et vältida tera pitsitamist ja võimalikku TAGASILÖÖKI.

► **Joon.41:** 1. Tugi 2. Eerungiplaat

Juhtpiirde

▲HOIATUS: Enne tööriista kasutamist veenduge, et ülemine piire oleks tugevasti kinnitatud.

▲HOIATUS: Veenduge enne kaldesaagimist selles, et masina ükski osa, eelkõige saeketas, ei satuks kokkupuutesse ülemise ja alumise tõkisega käepideme täielikult langetamisel ning tõstmisel mis tahes asendisse ja kelgu liigutamisel selle kogu käigutee ulatuses. Kui tööriist või saeketas puudutab piiret, võib see põhjustada tagasilöögi või materjali ootamatut liikumise ning raske kehavigastuse.

Kasutage ülemisi piirdeid, et toetada töödeldavat materjali alumistest piiretest kõrgemalt. Sisestage ülemine piire alumises piirde asuvasse auku ja kinnitage kinnituskruviga.

► **Joon.42:** 1. Ülemine piire 2. Alumine piire
3. Kinnituskruvi 4. Reguleerimiskruvi

TÄHELEPANU: Alumised piirdeid on aluse külge kinnitatud juba tehases. Ärge eemaldage alumisi piirdeid.

TÄHELEPANU: Kui ülemine piire on ikka lahtiselt ka pärast kinnituskruvide pingutamist, keerake vahe sulgemiseks reguleerimiskruvi. Reguleerimiskruvi on tehases reguleeritud. Seda ei pea kasutama, kui see pole vajalik.

Kui ülemist piiret ei kasutata, saate selle panna hoidikusse. Kasutage ülemise piirde hoidikus hoidmiseks klambrit.

► **Joon.43:** 1. Hoidik 2. Ülemine piire 3. Klamber

Vertikaalne kinnitusrakis

▲HOIATUS: Töödeldav detail peab kõikide tööetappide käigus olema kinnitusrakise abil tugevasti pöördaluse ja juhtpiirde külge kinnitatud. Kui töödeldav ese pole korralikult vastu piiret fikseeritud, võib ese saagimise käigus hakata liikuma ja kahjustada saeketast, millega võib kaasneda eseme eemalpeaikumine, kontrolli kaotus masina üle ning tõsised vigastused.

► **Joon.44:** 1. Kinnitusrakise latt 2. Kinnitusrakise varras 3. Kinnituskruvi 4. Kinnitusrakise nupp

Vertikaalse kinnitusrakise saab paigaldada kahte asendisse kas eerungialuse vasak- või parempoolsel küljel. Paigaldage rakisevarras eerungialuse avasse. Paigutage kinnitusrakise latt, arvestades töödeldava detaili paksust ja kaju, ning fikseerige kruviga. Kui kinnituskruvi puutub vastu kelku, paigaldage see kinnitusrakise lati vastasküljele. Veenduge, et käepideme lõpuni alla langetamisel ei puutuks ükski tööriista osa vastu kinnitusrakist. Kui mõni osa puutub vastu kinnitusrakist, paigutage kinnitusrakis ümber. Suruge töödeldav detail tasasel vastu juhtpiiret ja eerungiplaati. Asetage töödeldav detail soovitud löikeasendisse ja fikseerige, keerates kinnitusrakise nupu tugevasti kinni.

MÄRKUS: Töödeldava eseme kiireks seadmiseks keerake kinnitusrakise nuppu 90° vastupäeva, mis võimaldab kinnitusrakise nuppu üles ja alla liigutada. Töödeldava eseme kinnitamiseks pärast seadistamist keerake kinnitusrakise nuppu päripäeva.

Horisontaalne kinnitusrakis

Valikuline tarvik

▲HOIATUS: Keerake kinnitusrakise nuppu töödeldava eseme korralikuks kinnitamiseks alati päripäeva. Kui töödeldav ese pole korralikult fikseeritud, võib ese saagimise käigus hakata liikuma ja kahjustada saeketast, millega võib kaasneda eseme eemalpeaikumine, kontrolli kaotus masina üle ning tõsised vigastused.

▲HOIATUS: Kasutage õhukeste esemete, nagu pörandaliistude saagimiseks tõkise vastas alati horisontaalset kinnitusrakist.

Horisontaalset kinnitusrakist saab paigaldada kahte asendisse kas põhja vasakule või paremale poole. 22,5° või suurema faasinurgaga eerungisaagimisel paigaldage horisontaalne kinnitusrakis küljele, mis asetseb selle punkti vastas, kuhu pöörduvalt kavatsetakse pöörata.

► **Joon.45:** 1. Kinnitusrakise plaat 2. Kinnitusrakise mutter 3. Kinnitusrakise nupp

Kinnitusrakise mutri vastupäeva keeramisel kinnitusrakis vabaneb ning seda saab kiiresti sisse/välja liigutada. Töödeldava eseme fikseerimiseks suruge kinnitusrakise nuppu ettepoole, kuni kinnitusrakise plaat puutub vastu töödeldavat eset, seejärel keerake kinnitusrakise nuppu päripäeva. Seejärel keerake kinnitusrakise nuppu töödeldava detaili kinnitamiseks päripäeva.

MÄRKUS: Horisontaalse kinnitusrakisega kinnititava detaili maksimaalne laius on 228 mm.

Hoidikud

⚠️HOIATUS: Saagimistäpsuse tagamiseks ja masina üle kontrolli kaotamise vältimiseks toestage pikad töödeldavad esemed alati nõnda, et need oleksid pöördaluse pealispinnaga tasa. Töödeldava eseme korralik toestamine hoiab ära saeketta kiilumise ja võimalikud tagasilöögid, mis võivad kaasa tuua tõsiseid vigastusi.

Pikkade töödeldavate esemete horisontaalselt hoidmiseks on tööriista mõlemal küljel avad. Lõdvendage kruvid ja pikendage hoidikuid töödeldava eseme pikkusele sobivalt. Seejärel pingutage kruvid.

► **Joon.46:** 1. Hoidik 2. Kruvi

TÖÖRIISTA KASUTAMINE

⚠️HOIATUS: Veenduge, et tera ei puutuks enne tööriista sisselülitamist vastu töödeldavat detaili jne. Masina sisselülitamine juhul, kui saeketas on töödeldava esemega kokkupuutes, võib põhjustada tagasilööke ja tõsiseid vigastusi.

⚠️HOIATUS: Saeketast ei tohi pärast saagimist tõsta üles enne, kui see on täielikult seiskunud. Pöörleva saeketta ülestõstmine võib põhjustada tõsiseid vigastusi ja kahjustada töödeldavat eset.

⚠️HOIATUS: Ärge reguleerige seadet (käepideme, nupu, hoobade keeramine) tera pöörlemise ajal. Tera pöörlemise ajal reguleerimine võib põhjustada raske kehavigastuse.

TÄHELEPANU: Enne kasutamist vabastage kindlasti lukustustihvt ja vabastage käepide langetatud asendist.

TÄHELEPANU: Ärge avaldage käepidemele lõikamisel liigset survet. Ülemäärane surve võib põhjustada mootori ülekoormust ja/või vähendada lõikamise tõhusust. Suruge käepide alla ainult sujuva lõikamise tagamiseks tarviliku jõuga ja nii, et tera kiirus oluliselt ei väheneks.

TÄHELEPANU: Lõikamiseks vajutage käepide õrnalt alla. Kui käepidest suruda liiga tugevasti või külgsuunalist jõudu rakendades, võib tera hakata vibreerima ja jätta töödeldavale detailile tække (saetäkke) ning lõike täpsus väheneb.

TÄHELEPANU: Liuglõikamisel lükake kelku peatamata õrnalt juhtpiirde poole. Kui kelk lõike teostamise ajal peatada, siis jääb töödeldavale detailile tække ning lõiketäpsus väheneb.

Presslõikamine

⚠️HOIATUS: Presslõikamise ajal lukustage alati kelgu liugliikumine. Lõikamine ilma lukustamata võib põhjustada tagasilööke, mis võivad kaasa tuua tõsiseid vigastusi.

Kuni 68 mm kõrguseid ja 160 mm laiuseid detaile saab saagida järgneval viisil.

► **Joon.47:** 1. Lukustustihvt

1. Suruge kelku kuni lõpuni juhtpiirde poole ja lukustage lukustustihvtiga.
2. Kinnitage töödeldav ese õiget tüüpi kinnitusrakisega.
3. Lülitage tööriist sisse ja jälgige, et lõiketera ei puutuks kuskile vastu, ja enne langetamist oodake, kuni lõiketera saavutab täiskiiruse.
4. Detaili lõikamiseks lükake käepide ettevaatlikult kõige alumisse asendisse.
5. Kui lõige on tehtud, lülitage tööriist välja ja oodake tera täieliku peatumiseni, enne kui viite selle tagasi ülestõstetud asendisse.

Liuglõike (presslõike) tegemine (laiade detailide lõikamine)

⚠️HOIATUS: Liugsaagimisel tõmmake kelk esmalt lõpuni enda poole ja vajutage käepide täielikult alla, seejärel lükake kelku juhtkõikise poole. Saagimist ei tohi alustada enne, kui olete kelgu täielikult enda poole tõmmanud. Kui teete liugsaagimise ilma kelku täielikult enda poole tagasi tõmbamata, võib toimuda ootamatu tagasilöök, mis võib tekitada tõsise vigastuse.

⚠️HOIATUS: Ärge mingil juhul tehke liugsaagimist kelku enda poole tõmmates. Kui tõmbate kelku saagimise ajal enda poole, võib toimuda ootamatu tagasilöök, mis võib tekitada tõsise vigastuse.

⚠️HOIATUS: Liugsaagimist ei tohi teha, kui käepide on lukustatud langetatud asendisse.

► **Joon.48:** 1. Lukustustihvt

1. Vabastage lukustustihvt nii, et kelk saaks vabalt libiseda.
2. Kinnitage töödeldav ese õiget tüüpi kinnitusrakisega.
3. Tõmmake kelk lõpuni enda poole.
4. Lülitage masin sisse ja jälgige, et saeketas ei puutuks kuskile vastu, ja oodake, kuni saeketas saavutab täiskiiruse.
5. Vajutage käepide alla ja lükake kelku juhtkõikise poole ning läbi töödeldava eseme.
6. Kui lõige on tehtud, lülitage tööriist välja ja oodake tera täieliku peatumiseni, enne kui viite selle tagasi ülestõstetud asendisse.

Kaldlõikamine

Juhinduge eespool toodud lõigust „Eerunginurga reguleerimine”.

Fassetlõikamine

⚠️HOIATUS: Kui olete saeketta fassetlõikamiseks valmis seadnud, veenduge enne masina kasutamist selles, et kelgu ja saeketta liikumisteede vahel oleks kogu kavandatava saagimise ulatuses vaba. Kelgu või saeketta liikumise katkestamine saagimise käigus võib põhjustada ootamatu tagasilöögi, mis võib kaasa tuua tõsise vigastuse.

⚠️HOIATUS: Hoidke käed faasisaagimise ajal saeketta teelt eemal. Saeketta nurk võib saeketta tegelikku teekonda saagimise käigus kasutaja eest varjata, kokkupuude saekettaga põhjustab tõsise vigastuse.

⚠️HOIATUS: Saeketast ei tohiks tõsta enne selle täielikku seiskumist. Faasisaagimise käigus võib maha saetud klots jääda toetuma vastu saeketta külge. Kui saeketas tõstetakse üles enne seiskumist, võib ketas haarata klotsi kaasa ja paisata eemale, purustades selle ning tekitades tõsiste vigastuste ohu.

TÄHELEPANU: Käepideme alla vajutamisel avaldage saekettaga paralleelset survet. Kui pöördalusele püstjalt survet avaldada või kui surve suunda saagimise ajal muuta, siis väheneb saagimise täpsus.

▶ Joon.49

1. Eemaldage küljelt, kus te tahate kelku kallutada, ülemine piire.
2. Vabastage lukustustihvt.
3. Reguleerige kaldenurk jaotises „Kaldenurga reguleerimine“ kirjeldatud toimingu järgi. Seejärel pingutage nupp.
4. Fikseerige töödeldav detail kinnitusrakise abil.
5. Tõmmake kelk lõpuni enda poole.
6. Lülitage masin sisse ja jälgige, et saeketas ei puutuks kuskile vastu, ja oodake, kuni saeketas saavutab täiskiiruse.
7. Langetage käepide madalaimasse asendisse, avaldades samal ajal teraga paralleelset survet, ning lükake kelku töödeldava detaili lõikamiseks juhtpöörde suunas.
8. Kui lõige on tehtud, lülitage tööriist välja ja oodake tera täieliku peatumiseni, enne kui viite selle tagasi ülestõstetud asendisse.

Liitlõikamine

Liitlõikamine kujutab endast töödeldava detaili samaaegset kaldlõikamist ja eerunginurga lõikamist. Liitsaagimist saab teha tabelis näidatud nurga all.

| Eerunginurk | Fassettnurk |
|-------------------------|-------------------------|
| Vasak ja parem 0° - 45° | Vasak ja parem 0° - 45° |

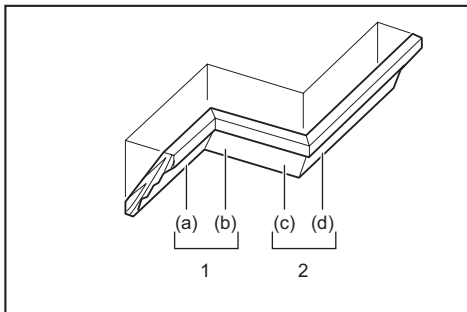
Liitlõike tegemisel juhingude lõikudest „Presslõikamine“, „Liuglõike (presslõike) tegemine“, „Kaldlõikamine“ ja „Fassetlõikamine“.

Kaare- ja nõgusprofiili freesimine

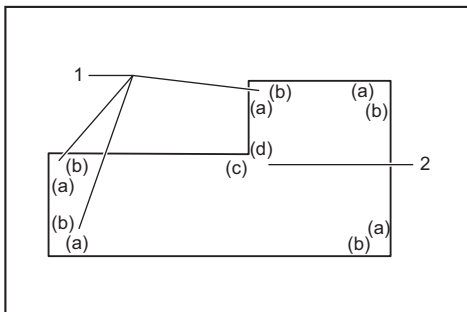
Kaare- ja nõgusprofiile saab freesida liuglõike eerungis-aega, kui profiilid on asetatud eerungialusele lapiti. Kaare vigurprofiili lõikamiseks on kaks ja nõgusprofiili lõikamiseks üks võimalus; 52/38° kaareprofiili lõikamine, 45° kaareprofiili lõikamine ning 45° nõgusprofiili lõikamine.

- ▶ **Joon.50:** 1. 52/38° kaareprofiil 2. 45° kaareprofiil
3. 45° nõgusprofiil

On olemas kaare- ja nõgusprofiilide ühendused, mis sobivad 90° sisnurkadesse ((a) ja (b) joonisel) ja 90° välisnurkadesse ((c) ja (d) joonisel).



1. Sisnurk 2. Välisnurk



1. Sisnurk 2. Välisnurk

Mõõtmine

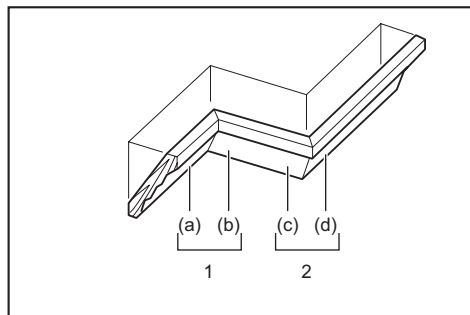
Mõõtke seinu laiust ja reguleerige selle järgi töödeldava detaili laiust. Veenduge alati, et töödeldava detaili seinapoolse serva laiust oleks sama nagu seinu pikkus.

- ▶ **Joon.51:** 1. Töödeldav detail 2. Seinu laiust
3. Töödeldava detaili laiust 4. Seinapoolne serv

Kasutage proovisaagimiseks mitut tükki, et kontrollida saenurki.

Kumer- ja nõgusprofiilide lõikamisel seadke fassettnurk ja eerunginurk tabeli (A) järgi ning seadke profiilid tabeli (B) järgi saekorpuse ülemisele pinnale.

Vasakpoolse fassetilõike korral



1. Sisenurk 2. Välisnurk

Tabel (A)

| – | Profili tähis joonisel | Fassettnurk | | Eeringinurk | |
|------------------|------------------------|-------------|-----------|-------------|-------------|
| | | 52/38° tüüp | 45° tüüp | 52/38° tüüp | 45° tüüp |
| Sisenurga puhul | (a) | Vasak 33,9° | Vasak 30° | Parem 31,6° | Parem 35,3° |
| | (b) | | | Vasak 31,6° | Vasak 35,3° |
| Välisnurga puhul | (c) | | | Parem 31,6° | Parem 35,3° |
| | (d) | | | | |

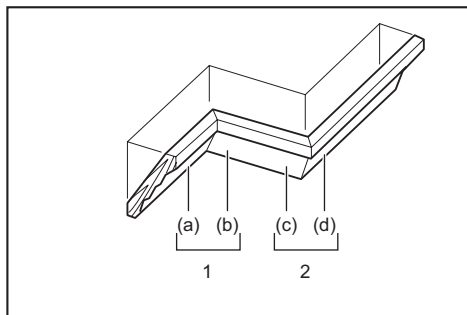
Tabel (B)

| – | Profili tähis joonisel | Profili serv vastu juhtpiiret | Lõpetatud detail |
|------------------|------------------------|---|--|
| Sisenurga puhul | (a) | Laepoolne serv peab olema vastu juhtpiiret. | Lõpetatud detail peab jääma terast vasakule. |
| | (b) | Seinapoolne serv peab olema vastu juhtpiiret. | Lõpetatud detail peab jääma terast paremale. |
| Välisnurga puhul | (c) | Laepoolne serv peab olema vastu juhtpiiret. | |
| | (d) | Seinapoolne serv peab olema vastu juhtpiiret. | |

Nt:
52/38° kaareprofili lõikamine asendis (a) ülaltoodud joonisel:

- Kallutage ja kinnitage fassettnurga seadistuseks 33,9° VASAKULE.
- Reguleerige ja kinnitage eeringinurga seadistuseks 31,6° PAREMALE.
- Asetage kaareprofiil tagumise laiema (varjatud) küljega eeringiplaadile, nii et LAEPOOLNE SERV jääks sae juhtpiirde vastu.
- Töödeldud detail jääb pärast saagimist alati terast VASAKULE poole.

Parempoolne fassetilõikamine



1. Sisenurk 2. Välisnurk

Tabel (A)

| – | Profili tähis joonisel | Fassettnurk | | Eeringinurk | |
|------------------|------------------------|-------------|-----------|-------------|-------------|
| | | 52/38° tüüp | 45° tüüp | 52/38° tüüp | 45° tüüp |
| Sisenurga puhul | (a) | Parem 33,9° | Parem 30° | Parem 31,6° | Parem 35,3° |
| | (b) | | | Vasak 31,6° | Vasak 35,3° |
| Välisnurga puhul | (c) | | | Parem 31,6° | Parem 35,3° |
| | (d) | | | | |

Tabel (B)

| – | Profili tähis joonisel | Profili serv vastu juhtpiiret | Lõpetatud detail |
|------------------|------------------------|---|--|
| Sisenurga puhul | (a) | Seinapoolne serv peab olema vastu juhtpiiret. | Lõpetatud detail peab jääma terast paremale. |
| | (b) | Laepoolne serv peab olema vastu juhtpiiret. | Lõpetatud detail peab jääma terast vasakule. |
| Välisnurga puhul | (c) | Laepoolne serv peab olema vastu juhtpiiret. | |
| | (d) | Seinapoolne serv peab olema vastu juhtpiiret. | |

Nt:
52/38° kaareprofili lõikamine asendis (a) ülaltoodud joonisel:

- Kallutage ja kinnitage fassettnurga seadistuseks 33,9° PAREMALE.
- Reguleerige ja kinnitage eeringinurga seadistuseks 31,6° PAREMALE.
- Asetage kaareprofiil tagumise laiema (varjatud) küljega pöördalusele, nii et SEINAPOLNE SERV jääks sae juhtpiirde vastu.
- Töödeldud detail jääb pärast saagimist alati terast PAREMALE poole.

Kaareprofiili stopper

Valikuline tarvik

Kaareprofiili stopperid võimaldavad lõigata kaareprofiili lihtsamalt ilma saetera kallutamata. Paigaldage need joonistel näidatud viisil pöördalusele.

Parempoolne 45° eeringinurk

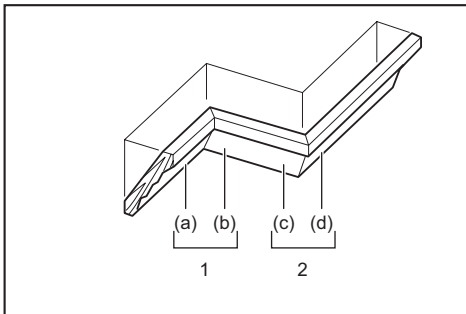
► **Joon.52:** 1. Kaareprofiili stopper L 2. Kaareprofiili stopper R 3. Pöördalus 4. Juhtpiire

Vasakpoolne 45° eeringinurk

► **Joon.53:** 1. Kaareprofiili stopper L 2. Kaareprofiili stopper R 3. Pöördalus 4. Juhtpiire

Paigutage kaareprofiili SEINAPPOOLNE SERV vastu juhtpiiret ja LAEPOOLNE SERV vastu kaareprofiili stoppereid, nagu on joonisel näidatud. Reguleerige kaareprofiili stoppereid, arvestades kaareprofiili suurust. Pingutage kruvisid ja fikseerige kaareprofiili stopperid. Eeringinurgad leiate tabelist (C).

► **Joon.54:** 1. Juhtpiire 2. Kaareprofiili stopper



1. Sisenuurk 2. Välisnurk

Tabel (C)

| – | Profiili tähis joonisel | Eeringinurk | Lõpetatud detail |
|-------------------|-------------------------|-------------|---------------------------|
| Sisenuurga puhul | (a) | Parem 45° | Säilitage tera parem külg |
| | (b) | Vasak 45° | Säilitage tera vasak külg |
| Välisnuurga puhul | (c) | Parem 45° | Säilitage tera parem külg |
| | (d) | | Säilitage tera vasak külg |

Alumiiniumprofiilide lõikamine

► **Joon.55:** 1. Kinnitusrakis 2. Vaheklots 3. Juhtpiire 4. Alumiiniumprofiil 5. Vaheklots

Alumiiniumprofiilide kinnitamisel kasutage puidust klotse või puidujääke, nagu on näidatud joonisel, et vältida alumiiniumi deformeerumist. Alumiiniumi lõikamisel kasutage määrdeaineid, et vältida alumiiniumipuru kogunemist terale.

⚠HOIATUS: Ärge üritage saagida pakse ega ümaraid alumiiniumprofiile. Paksude või ümarate alumiiniumprofiilide fikseerimine võib osutada keerukaks, mistõttu need võivad saagimise käigus lahti tulla, põhjustades kontrolli kaotust sae üle ja tõsiseid vigastusi.

Soone lõikamine

⚠HOIATUS: Ärge tehke niisugust saagimist laiemat tüüpi saeketta või soonesaagimiskettaga. Soonesaagimise katsed laiemal saeketta või soonesaagimiskettaga võivad kaasa tuua ootamatuid saagimistulemusi ja tagasilööke, mis võivad põhjustada tõsiseid vigastusi.

⚠HOIATUS: Kui teete teistsugust lõiget kui soonelõikamist, siis tooge stopperlatt kindlasti tagasi algasendisse. Kui stopperlatt on vales asendis, võivad saagimiskatsed kaasa tuua ootamatuid tulemusi ja tagasilööke, mis võivad põhjustada tõsiseid vigastusi.

Soonesaamase lõike puhul tegutsuge järgmiselt:

1. Reguleerige reguleerimiskruviga tera alumist piirasendit ning piirake stopperlatiga tera lõikesügavust. Juhinduge eespool toodud lõigust „Stopperlatt“.
2. Saagige pärast saeketta alumise piirasendi reguleerimist töödeldavasse detaili laiuti paralleelseid sooneid, kasutades liugsaagimist (press-saagimist).
► **Joon.56:** 1. Lõigake saega sooned.
3. Seejärel eemaldage peitliga soontevaheline materjal.

Tööriista kandmine

Enne teisaldamist tuleb eemaldada akud ja fikseerida kõik eeringisae liikuvad osad. Kontrollige alati järgmist:

- Akud on eemaldatud.
- Kelk on 0° fassettnurga all ja fikseeritud.
- Kelk on langetatud ja lukustatud.
- Kelk on libistatud lõpuni vastu juhtpiiret ja lukustatud.
- Pöördalus on lõpuni parema eeringinurga asendis ja fikseeritud.
- Hoidikud on ära pandud ja fikseeritud.

Kandke tööriista joonisel näidatud viisil, hoides kinni tööriista aluse kummastki küljest.

► **Joon.57**

⚠HOIATUS: Kelgu tõstmise lukustustihvt on mõeldud ainult tööriista kandmiseks ja hoialepanekuks, mitte lõikamistöödeks. Lukustustihvti kasutamine saagimistöde ajal võib kaasa tuua saetera ootamatu nihkumise, põhjustades tagasilöögi ja tõsise vigastuse.

⚠ETTEVAATUST: Enne tööriista kandmist fikseerige kõik liikuvad osad. Kui masina osad peaksid selle kandmise ajal nihkuma või libisema, võib see kaasa tuua tasakaalu kaotuse ja põhjustada vigastuse.

JUHTMETA AKTIVEERIMISE FUNKTSIOON

Ainult mudelile DLS111

Mida võimaldab juhtmeta aktiveerimise funktsioon

Juhtmeta aktiveerimise funktsioon võimaldab puhast ja mugavat töötamist. Ühendades toetatud tolmuimeja tööriistaga, saate käivitada tolmuimeja automaatselt koos tööriista lüliti toimimisega.

► **Joon.58**

Juhtmeta aktiveerimise funktsiooni kasutamiseks valmistage ette alljärgnev:

- juhtmeta seade;
- tolmuimeja, mis toetab juhtmeta aktiveerimise funktsiooni.

Alljärgnevalt on toodud juhtmeta aktiveerimise funktsiooni seadistamise ülevaade. Üksikasjalikuma teabe saamiseks vaadake konkreetseid jaotisi.

1. Juhtmeta seadme paigaldamine
2. Tööriista registreerimine tolmuimeja jaoks
3. Juhtmeta aktiveerimise funktsiooni käivitamine

Juhtmeta seadme paigaldamine

⚠ETTEVAATUST: Juhtmeta seadme paigaldamisel asetage tööriist tasasele ja kindlale pinnale.

TÄHELEPANU: Enne juhtmeta seadme paigaldamist puhastage tööriist tolmust ja mustusest. Kui tolmu ja mustus satuvad juhtmeta seadme pesse, siis võib esineda talitushäireid.

TÄHELEPANU: Staatika põhjustatud talitushäirete vältimiseks puudutage enne juhtmeta seadme ülestõstmist staatikat eemaldavat materjali, näiteks tööriista metallist osa.

TÄHELEPANU: Juhtmeta seadme paigaldamisel veenduge alati, et juhtmeta seade oleks sisestatud õiges suunas ja kaas oleks korralikult suletud.

1. Avage tööriista kaas joonisel näidatud viisil.
► **Joon.59:** 1. Kaas
2. Sisestage juhtmeta seade pesasse ja sulgege kaas. Juhtmeta seadme sisestamisel joondage väljaulatuvad osad pesa süvendatud osadega.
► **Joon.60:** 1. Juhtmeta seade 2. Väljaulatuv osa 3. Kaas 4. Süvendatud osa

Juhtmeta seadme eemaldamisel avage kaas aeglaselt. Kaane tagaküljel asuvad konksud tõstavad juhtmeta seadme koos kaanega välja.

► **Joon.61:** 1. Juhtmeta seade 2. Konks 3. Kaas

Pärast eemaldamist hoidke juhtmeta seadet komplekti kuuluvass karbis või staatikavabas konteineris.

TÄHELEPANU: Juhtmeta seadme eemaldamisel kasutage alati kaane tagaküljel asuvaid konkse. Kui konksud ei haaku juhtmeta seadmega, sulgege kaas täielikult ja avage aeglaselt uuesti.

Tööriista registreerimine tolmuimeja jaoks

MÄRKUS: Registreerimiseks on vajalik Makita tolmuimeja, mis toetaks juhtmeta aktiveerimise funktsiooni.

MÄRKUS: Enne tööriista registreerimist tuleb juhtmeta seade tööriista paigaldada.

MÄRKUS: Tööriista registreerimise ajal ärge tõmmake lüliti päästikut ega lülitage tolmuimeja toitelüliti sisse.

MÄRKUS: Vt ka tolmuimeja kasutusjuhendit.

Kui te soovite tolmuimeja koos tööriista lüliti toimimisega aktiveerida, siis peate kõigepealt lõpetama tööriista registreerimise.

1. Paigaldage patareid nii tolmuimejasse kui ka tööriista.
2. Seadke tolmuimeja ooterežiimi lüliti asendisse „AUTO”.
► **Joon.62:** 1. Ooterežiimi lüliti
3. Vajutage tolmuimejal juhtmeta aktiveerimise nuppu ja hoidke seda 3 sekundit all, kuni juhtmeta aktiveerimise tuli hakkab roheliselt vilkuma. Seejärel vajutage samamoodi tööriista juhtmeta aktiveerimise nuppu.
► **Joon.63:** 1. Juhtmeta aktiveerimise nupp
2. Juhtmeta aktiveerimise tuli

Kui tolmuimeja ja tööriist on edukalt seotud, siis juhtmeta aktiveerimise tuled süttivad 2 sekundiks roheliselt ja hakkavad seejärel sinisel vilkuma.

MÄRKUS: Juhtmeta aktiveerimise lambid lõpetavad roheliselt vilkumise 20 sekundi pärast. Vajutage juhtmeta aktiveerimise nuppu tööriistal, kui puhastajal vilgub juhtmeta aktiveerimise tuli. Kui juhtmeta aktiveerimise tuli ei vilgu roheliselt, siis vajutage korraks juhtmeta aktiveerimise nuppu ja hoidke seda uuesti all.

MÄRKUS: Sidudes kahte või enamat tööriista ühe tolmuimejaga, lõpetage tööriistade registreerimine ükshaaval.

Juhtmeta aktiveerimise funktsiooni käivitamine

MÄRKUS: Enne juhtmeta aktiveerimist tuleb lõpetada tööriista tolmuimejaga sidumine.

MÄRKUS: Vt ka tolmuimeja kasutusjuhendit.

Pärast tööriista sidumist tolmuimejaga, käivitus tolmuimeja automaatselt tööriista lülite abil.

1. Paigaldage juhtmeta seade tööriista sisse.
2. Ühendage tolmuimeja voolik tööriistaga.
► **Joon.64**
3. Seadke tolmuimeja ooterežiimi lüliti asendisse „AUTO”.
► **Joon.65:** 1. Ooterežiimi lüliti
4. Vajutage korraks tööriistal olevat juhtmeta aktiveerimise nuppu. Juhtmeta aktiveerimise tuli vilgub sinisel.

- **Joon.66:** 1. Juhtmeta aktiveerimise nupp
2. Juhtmeta aktiveerimise tuli

5. Tõmmake tööriista lüliti päästikut. Kontrollige, kas tolmuimeja lüliti päästik töötab tõmbamise ajal.

Tolmuimeja juhtmeta aktiveerimise peatamiseks vajutage tööriista juhtmeta aktiveerimise nuppu.

MÄRKUS: Tööriista juhtmeta aktiveerimise tuli lõpetab siniselt vilkumise, kui 2 tunni jooksul ei tehta ühtegi toimingut. Sellisel juhul seadke tolmuimeja ooterežiimi lüliti asendisse „AUTO” ja vajutage tööriistal uuesti juhtmeta aktiveerimise nuppu.

MÄRKUS: Tolmuimeja alustab/peatub viivitusega. Kui tolmuimeja tuvastab tööriista lüliti toimimise, esineb viivitus.

MÄRKUS: Juhtmeta seadme edastamise kaugus võib olenevalt asukohast ja ümbritsevatest oludest erineda.

MÄRKUS: Kui kaks või enam tööriista seotakse ühe tolmuimejaga, siis võib tolmuimeja hakata tööle isegi siis, kui te pole lüliti päästikut tõmmanud, sest juhtmeta aktiveerimise funktsiooni kasutab mõni teine kasutaja.

Juhtmeta aktiveerimise tule oleku kirjeldus

- **Joon.67:** 1. Juhtmeta aktiveerimise tuli

Juhtmeta aktiveerimise tuli näitab juhtmeta aktiveerimise funktsiooni olekut. Tule oleku tähendust näete allolevast tabelist.

| Olek | Juhtmeta aktiveerimise tuli | | | | Kirjeldus |
|---------------------------------------|-----------------------------|---|--|-----------------------------|--|
| | Värv |  Põleb |  Vilgub | Kestus | |
| Ooteaeg | Sinine | <input checked="" type="checkbox"/> | | 2 tundi | Tolmuimeja juhtmeta aktiveerimine on saadaval. Tuli lülitub automaatselt välja, kui 2 tunni jooksul ei tehta ühtegi toimingut. |
| | | <input type="checkbox"/> | | Kui tööriist on käivitatud. | Tolmuimeja juhtmeta aktiveerimine on saadaval ja tööriist on käivitatud. |
| Tööriista registreerimine | Roheline | <input checked="" type="checkbox"/> | | 20 sekundit | Valmis tööriista registreerimiseks. Tolmuimeja poolse registreerimise ootamine. |
| | | <input type="checkbox"/> | | 2 sekundit | Tööriista registreerimine on lõpetatud. Juhtmeta aktiveerimise tuli hakkab siniselt vilkuma. |
| Tööriista registreerimise tühistamine | Punane | <input checked="" type="checkbox"/> | | 20 sekundit | Valmis tööriista registreerimise tühistamiseks. Tolmuimeja poolse tühistamise ootamine. |
| | | <input type="checkbox"/> | | 2 sekundit | Tööriista registreerimise tühistamine on lõpetatud. Juhtmeta aktiveerimise tuli hakkab siniselt vilkuma. |
| Muu | Punane | <input type="checkbox"/> | | 3 sekundit | Juhtmeta seade on ühendatud toitega ja juhtmeta aktiveerimise funktsioon käivitub. |
| | Väljas | - | | - | Tolmuimeja juhtmeta aktiveerimine on peatatud. |

Tööriista registreerimise tühistamine tolmuimeja jaoks

Tööriista registreerimise tühistamiseks tolmuimeja jaoks tuleb toimida alljärgnevalt.

- Paigaldage patareid nii tolmuimejasse kui ka tööriista.
- Seadke tolmuimeja ooterežiimi lüliti asendisse „AUTO”.

- **Joon.68:** 1. Ooterežiimi lüliti

3. Vajutage tolmuimejal juhtmeta aktiveerimise nuppu ja hoidke seda 6 sekundit all. Juhtmeta aktiveerimise tuli vilgub roheliselt ja muutub seejärel punaseks. Seejärel vajutage samamoodi tööriista juhtmeta aktiveerimise nuppu.

- **Joon.69:** 1. Juhtmeta aktiveerimise nupp
2. Juhtmeta aktiveerimise tuli

Kui tolmuimeja ja tööriist on edukalt lahutatud, siis juhtmeta aktiveerimise tuled süttivad 2 sekundiks punaselt ja seejärel hakkavad need siniselt vilkuma.

MÄRKUS: Juhtmeta aktiveerimise lambid lõpetavad punaselt vilkumise 20 sekundi pärast. Vajutage juhtmeta aktiveerimise nuppu tööriistal, kui puhastajal vilgub juhtmeta aktiveerimise tuli. Kui juhtmeta aktiveerimise tuli ei vilgu punaselt, siis vajutage korra juhtmeta aktiveerimise nuppu ja hoidke seda uuesti all.

Juhtmeta aktiveerimise funktsiooni veaotsing

Enne remonditöökotta pöördumist kontrollige niidukit ise. Ärge üritage niidukit lahti võtta, kui leiate probleemi, mida kasutusjuhendis ei kirjeldata. Selle asemel pöörduge Makita volitatud teeninduskeskusesse, kus kasutatakse remon-
timisel alati Makita tagavaraosi.

| Tõrge | Võimalik põhjus (riike) | Lahendus |
|--|--|---|
| Juhtmeta aktiveerimise tuli ei põle / ei vilgu. | Tööriista sisse ei ole juhtmeta seadet paigaldatud. Juhtmeta seade on tööriista sisse valesti paigaldatud. | Paigaldage juhtmeta seade õigesti. |
| | Juhtmeta seadme klemm ja/või pesa on määrdu- nud. | Pühkige juhtmeta seadme klemmiit ettevaatlikult tol- m ja mustus ning puhastage pesa. |
| | Tööriistal olevat juhtmeta aktiveerimise nuppu ei ole vajutatud. | Vajutage korraks tööriistal olevat juhtmeta aktiveerimise nuppu. |
| | Tolmuimeja ooterežiimi lüliti ei ole seatud asendisse „AUTO“. | Seadke tolmuimeja ooterežiimi lüliti asendisse „AUTO“. |
| | Puudub toiteallikas | Varustage tööriist ja tolmuimeja toiteallikaga. |
| Tööriista registreerimist / tööriista registreerimise tühistamist ei õnnestu edukalt lõpetada. | Tööriista sisse ei ole juhtmeta seadet paigaldatud. Juhtmeta seade on tööriista sisse valesti paigaldatud. | Paigaldage juhtmeta seade õigesti. |
| | Juhtmeta seadme klemm ja/või pesa on määrdu- nud. | Pühkige juhtmeta seadme klemmiit ettevaatlikult tol- m ja mustus ning puhastage pesa. |
| | Tolmuimeja ooterežiimi lüliti ei ole seatud asendisse „AUTO“. | Seadke tolmuimeja ooterežiimi lüliti asendisse „AUTO“. |
| | Puudub toiteallikas | Varustage tööriist ja tolmuimeja toiteallikaga. |
| | Vale kasutamine | Vajutage korraks juhtmeta aktiveerimise nuppu ja tehke tööriista registreerimise/tühistamise toimingud uesti. |
| | Tööriist ja tolmuimeja asuvad teinetei- sist liiga kaugel (on edastamise ulatu- sist väljas). | Viige tööriist ja tolmuimeja üksteisele lähemale. Maksimaalne ülekandekaugus on umbes 10 m, kuid see võib olenevalt asjaoludest varieeruda. |
| | Enne tööriista registreerimise/tühistamise lõpetamist; - tööriista lüliti päästik on tõmmatud või; - tolmuimeja toitenupp on sisse lülitatud. | Vajutage korraks juhtmeta aktiveerimise nuppu ja tehke tööriista registreerimise/tühistamise toimingud uesti. |
| | Tööriista või tolmuimeja sidumistoimin- gud on lõpetamata. | Tehke samal ajal nii tööriista kui ka tolmuimeja registreerimistoimingud. |
| Teiste seadmete tekitatud raadiohäi- ring, mis tekitab väga intensiivseid raadiolaineid. | Hoidke tööriista ja tolmuimejat WiFi-seadmetest ja mikrolaineahjustest eemal. | |

| Tõrge | Võimalik põhjus (riike) | Lahendus |
|---|--|--|
| Tolmuimeja ei tööta tööriista lüliti kaudu. | Tööriista sisse ei ole juhtmeta seadet paigaldatud. Juhtmeta seade on tööriista sisse valesti paigaldatud. | Paigaldage juhtmeta seade õigesti. |
| | Juhtmeta seadme klemm ja/või pesa on määrduud. | Pühkige juhtmeta seadme klemmit ettevaatlikult tolm ja mustus ning puhastage pesa. |
| | Tööriistal olevat juhtmeta aktiveerimise nuppu ei ole vajutatud. | Vajutage korras juhtmeta aktiveerimise nuppu ja veenduge, et juhtmeta aktiveerimise tuli vilguks siniselt. |
| | Tolmuimeja ooterežiimi lüliti ei ole seatud asendisse „AUTO“. | Seadke tolmuimeja ooterežiimi lüliti asendisse „AUTO“. |
| | Tolmuimejaga on seotud üle 10 tööriista. | Tehke registreerimistoiming uuesti. Kui tolmuimejaga on seotud üle 10 tööriista, siis kõige esimesena registreeritud tööriista sidumine tühistatakse automaatselt. |
| | Tolmuimeja kustutas kõik registreeritud tööriistad. | Registreerige tööriist uuesti. |
| | Puudub toiteallikas | Varustage tööriist ja tolmuimeja toiteallikaga. |
| | Tööriist ja tolmuimeja asuvad teineteisest liiga kaugel (on edastamise ulatusest väljas). | Viige tööriist ja tolmuimeja üksteisele lähemale. Maksimaalne ülekandekaugus on umbes 10 m, kuid see võib olenevalt asjaoludest varieeruda. |
| Teiste seadmete tekitatud raadiolainet, mis tekitab väga intensiivseid raadiolaineid. | Hoidke tööriista ja tolmuimejat WiFi-seadmetest ja mikrolaineahjust eemal. | |
| Tolmuimeja töötab ajal, kui tööriista lüliti päästikut ei tõmmata. | Teised kasutajad kasutavad oma tööriistaga tolmuimeja juhtmeta aktiveerimist. | Lülitage teiste tööriistade juhtmeta aktiveerimise nupp välja või tühistage teiste tööriistade registreerimine. |

HOOLDUS

⚠️HOIATUS: Enne kontroll- või hooldustoimingute tegemist kandke alati hoolt selle eest, et tööriist oleks välja lülitatud ja akud eemaldatud. Kui akud ei ole eemaldatud ning masin ei ole välja lülitatud, võib see lõppeda ootamatust käivitumisest põhjustatud tõsise vigastusega.

⚠️HOIATUS: Parima löikamistulemuse ja ohutuma töö huvides veenduge alati, et tera oleks terav ja puhas. Nüri ja/või määrduud saekettaga saagimine võib kaasa tuua tagasilööke ning põhjustada tõsiseid vigastusi.

TÄHELEPANU: Ärge kunagi kasutage bensiini, vedelidit, alkoholi ega midagi muud sarnast. Selle tulemuseks võib olla luitumine, deformatsioon või pragunemine.

Lõikenuurga reguleerimine

See tööriist on tehases hoolikalt reguleeritud ja joondatud, kuid rohmakas käsitsemine võib olla seadistusi mõjutanud. Kui tööriist pole korralikult joondatud, siis toimige järgmiselt:

Eerunginurk

Langetage käepide lukustustihvti abil madalaimasse asendisse ja lukustage. Suruge kelk vastu juhtpiiret. Lõdvendage käepide ning osutit ja eerunginurga skaalat hoidvad kruvid.

► **Joon.70:** 1. Osutit olev kruvi 2. Eerunginurga skaalal olevad kruvid 3. Eerungiskaala

Seadke pöördalus sundasendi funktsiooni abil 0° asendisse. Seadke tera külg kolmnurkse joonlaua või vinkli abil risti juhtpiirde esiküljega. Vinklit paigal hoides pingutage eerunginurga skaala kruvisid. Seejärel viige osutid (nii parem- kui ka vasakpoolne) kohakuti eerunginurga skaala 0° asendiga ja pingutage osutil olev kruvi.

► **Joon.71:** 1. Kolmnurkjoonlaud

Fassettnurk

0° kaldenurk

Suruge kelku juhtpiirde poole ja lukustage liugliikumine lukustustihvtiga. Langetage käepide lukustustihvti abil lõpuni madalaimasse asendisse ja lukustage ning vabastage seejärel nupp. Tera paremale kallutamiseks keerake 0° reguleerimispoliti kaks või kolm pöört vastupäeva.

► **Joon.72:** 1. 0° reguleerimispoliti 2. Kruvi

Seadke tera serv ettevaatlikult risti pöördaluse ülapiinaga, kasutades kolmnurkjoonlauda, nurgikut vms, keerates 0° reguleerimispoliti päripäeva. Seejärel pingutage tugevalt nuppu, et fikseerida 0° nurk.

► **Joon.73:** 1. Kolmnurkjoonlaud 2. Saetera 3. Pöördaluse pealmine pind

Kontrollige veel kord, kas tera külg on risti pöördaluse pinnaga. Lõdvendage osutil asuvat kruvi. Viige osuti kohakuti kaldenurga skaala 0° asendiga ja pingutage seejärel kruvi.

45° kaldenurk

TÄHELEPANU: Enne 45° kaldenurga reguleerimist lõpetage 0° kaldenurga reguleerimine.

Lõdvendage nupp ja kallutage kelk täielikult küljele, mida soovite kontrollida. Kontrollige, kas osuti näitab kaldenurga skaalal 45° positsiooni.

► **Joon.74**

Kui osuti ei näita 45° positsiooni, viige see kaldenurga skaala vastasküljel asuvat reguleerimispoliti keerates 45° asendisse.

► **Joon.75:** 1. Vasak 45° reguleerimispoliti 2. Parem 45° reguleerimispoliti

Laserijooone asendi reguleerimine

Ainult mudelile DLS111, DLS112

⚠HOIATUS: Tööriista akud peavad olema laserijooone reguleerimise ajal paigaldatud. Olge eriti tähelepanelik, et te reguleerimise ajal tööriista sisse ei lülitaks. Masina juhuslik sisselülitamine võib põhjustada tõsiseid vigastusi.

⚠ETTEVAATUST: Ärge kunagi vaadake otse laserikiire sisse. Laserikiire sattumine otse silma võib põhjustada tõsiseid nägemiskahjustusi.

TÄHELEPANU: Kontrollige regulaarselt laserijooone asendi täpsust.

TÄHELEPANU: Vältige tööriista põrutamist. See võib nihutada laserijooone valesse või kahjustada laserit, lühendades selle tööiga.

TÄHELEPANU: Laserseadme rikke korral laske masinat parandada volitatud Makita teeninduskeskuses.

Laserijooone liigutatav ulatus on määratud mõlemal küljel asuvate ulatuse reguleerimise kruvidega. Laserijooone muutmiseks tegutsuge järgmiselt.

1. Eemaldage akud.
2. Tõmmake töödeldavale materjalile lõikejoon ning asetage materjal pöördalusele. Selles faasis ärge töödeldavat materjali veel kinnitusrakise ega muu sarnase kinnitusseadmega fikseerige.
3. Langetage käepide ja joondage lõikejoon saeteraga.
4. Viige käepide tagasi algasendisse ja kinnitage töödeldav ese vertikaalse kinnitusrakisega selliselt, et töödeldav ese ei liiguks teie määratud asendist ära.
5. Paigaldage akud ja lülitage laser sisse.
6. Lõdvendage reguleerimiskruvi. Laserijooone terast eemale viimiseks keerake ulatuse reguleerimise kruvisid vastupäeva. Laserijooone terale lähemale viimiseks keerake ulatuse reguleerimise kruvisid päripäeva.

Laserijooone reguleerimine saetera vasakul küljel

► **Joon.76:** 1. Reguleerimiskruvi 2. Ulatuse reguleerimise kruvi 3. Kuuskantvõti 4. Laserijoon 5. Saetera

Laserijooone reguleerimine saetera paremal küljel

► **Joon.77:** 1. Reguleerimiskruvi 2. Ulatuse reguleerimise kruvi 3. Kuuskantvõti 4. Laserijoon 5. Saetera

7. Libistage reguleerimiskruvi asendisse, kus laserijoon on kohakuti lõikejoonega, ja pingutage seejärel.

MÄRKUS: Laserijooone liikumisulatus on tehases seadistatud nii, et see jääb tera külgpinnast 1 mm (0,04") piiresse.

Laseri läätse puhastamine

Ainult mudelile DLS111, DLS112

Laseri läätse määrdumisel muutub laserikiir halvasti nähtavaks. Puhastage laseri läätse regulaarselt.

► **Joon.78:** 1. Kruvi 2. Lääts

Eemaldage akud. Lõdvendage kruvi ja tõmmake läätst välja. Puhastage läätse õrnalt niiske pehme lapiga.

TÄHELEPANU: Ärge eemaldage kruvi, mis läätse kinni hoiab. Kui läätst ei tule välja, lõdvendage kruvi mõnevõrra veel.

TÄHELEPANU: Ärge kasutage lambiklaasi puhastamiseks lahusteid ega naftapõhiseid puhastusaineid.

Pärast kasutamist

Pärast kasutamist pühkige tööriistale kogunenud laastud ja tolm riidelapi vms-ga ära. Hoidke terakaitse lõigust „Terakaitse“ toodud juhtnööre järgides puhtana. Rooste vältimiseks määrige tööriista libisevaid detaile masinaõliga.

Toote OHUTUSE ja TÖÖKINDLUSE tagamiseks tuleb vajalikud remonttööd ning muud hooldus- ja reguleerimistööd lasta teha Makita volitatud teeninduskeskustes või tehase teeninduskeskustes. Alati tuleb kasutada Makita varuosi.

VALIKULISED TARVIKUD

⚠HOIATUS: Need Makita lisatarvikud on mõeldud kasutamiseks koos juhendis käsitletava Makita tööriistaga. Muude lisatarvikute kasutamine võib lõppeda tõsise vigastusega.

⚠HOIATUS: Kasutage Makita lisatarvikuid ainult otstarbekohaselt. Lisatarviku väärkasutamine võib lõppeda tõsise vigastusega.

Saate vajaduse korral kohalikust Makita teeninduskeskusest lisateavet nende tarvikute kohta.

- Teras- ja karbiidotsaga saeterad
- Vertikaalne kinnitusrakis
- Horisontaalne kinnitusrakis
- Kaareprofiili stopperikomplekt
- Tolmukott
- Kolmnurkjoonlaud
- Kuuskantvõti
- Kuuskantvõti (laseriga kohandamiseks)
- Juhtmeta seade (mudeli DLS111 jaoks)
- Makita algupärane aku ja laadija

MÄRKUS: Mõned nimekirjas loetletud tarvikud võivad kuuluda standardvarustusse ning need on lisatud tööriista pakendisse. Need võivad riigiti erineda.

ТЕХНИЧЕСКИЕ ХАРАКТЕРИСТИКИ

| Модель: | | DLS110 | DLS111 | DLS112 |
|--|--------------------|--|---|--------|
| Диаметр диска | Европейские страны | 260 мм | | |
| | Другие страны | 255 мм - 260 мм | | |
| Диаметр отверстия | Европейские страны | 30 мм | | |
| | Другие страны | 25,4 мм | | |
| Макс. толщина распила для пильного полотна | | 3,2 мм | | |
| Макс. угол резки | | Вправо 60°, влево 60° | | |
| Макс. угол скоса | | Вправо 48°, влево 48° | | |
| Число оборотов без нагрузки (об/мин) | | 4 400 мин ⁻¹ | | |
| Тип лазера | | - | Красный лазер 650 нм, максимальная мощность < 1,6 мВт (лазер класса 2М) | |
| Номинальное напряжение | | 36 В пост. тока | | |
| Блок аккумулятора | | BL1815N, BL1820, BL1820B, BL1830, BL1830B, BL1840, BL1840B, BL1850, BL1850B, BL1860B | | |
| Зарядное устройство | | DC18RC, DC18RD, DC18SD, DC18SE, DC18SF | | |
| Размеры (Д x Ш x В) | | 805 мм x 644 мм x 660 мм | | |
| Масса нетто | | 26,6 - 27,3 кг | | |

Размеры распиливаемой детали (В x Ш)

| Угол резки | Угол скоса | | |
|----------------------|----------------------------|----------------------------|----------------------------|
| | 45° (левый) | 0° | 45° (правый) |
| 0° | 42 x 310 мм 58 x 279 мм | 68 x 310 мм 91 x 279 мм | 29 x 310 мм 43 x 279 мм |
| 45° (правый и левый) | 42 x 218 мм 58 x 197 мм | 68 x 218 мм 91 x 197 мм | 29 x 218 мм 43 x 197 мм |
| 60° (правый и левый) | - | 68 x 155 мм 91 x 139 мм | - |

Размеры распиливаемой детали для особого резания

| Тип резания | Режущая способность |
|---|---------------------|
| Поясок со стеновым углом 45° (с применением ограничителя поясок) | 168 мм |
| Основание (с применением горизонтальных тисков) | 133 мм |

- Благодаря нашей постоянно действующей программе исследований и разработок указанные здесь технические характеристики могут быть изменены без предварительного уведомления.
- Технические характеристики и аккумуляторный блок могут отличаться в зависимости от страны.
- Масса может отличаться в зависимости от дополнительного оборудования. Обратите внимание, что блок аккумулятора также считается дополнительным оборудованием. В таблице представлены комбинации с наибольшим и наименьшим весом в соответствии с процедурой ЕРТА 01/2014.

СИМВОЛЫ

Ниже приведены символы, используемые для обозначения. Перед использованием убедитесь, что вы понимаете их значение.



Прочитайте руководство по эксплуатации.



Для предотвращения травм от разлетающихся осколков после распиливания держите головку пилы опущенной вниз до тех пор, пока полотно не остановится полностью.



При выполнении скользкого распила сначала полностью вытяните каретку и нажмите ручку, затем подвиньте каретку к направляющей линейке.



Держите руки и пальцы на расстоянии от полотна.



Запрещается смотреть на лазерный луч. Прямое лазерное излучение может повредить зрение.



Только для стран ЕС
Не выбрасывайте электрическое оборудование вместе с обычным мусором! В рамках соблюдения Европейской Директивы по утилизации электрического и электронного оборудования и ее применения в соответствии с национальным законодательством, электрооборудование в конце срока своей службы должно утилизироваться отдельно и передаваться для утилизации на предприятие, соответствующее применяемым правилам охраны окружающей среды.

Назначение

Данный инструмент предназначен для точного распиливания деревянных деталей под прямым углом и под другими углами. При использовании соответствующего пильного диска также возможно распиливание деталей из алюминия.

Шум

Типичный уровень взвешенного звукового давления (A), измеренный в соответствии с EN62841:

Модель DLS110

Уровень звукового давления (L_{pA}): 92 дБ (A)
Уровень звуковой мощности (L_{WA}): 102 дБ (A)
Погрешность (K): 3 дБ (A)

Модель DLS111

Уровень звукового давления (L_{pA}): 92 дБ (A)
Уровень звуковой мощности (L_{WA}): 102 дБ (A)
Погрешность (K): 3 дБ (A)

Модель DLS112

Уровень звукового давления (L_{pA}): 92 дБ (A)
Уровень звуковой мощности (L_{WA}): 102 дБ (A)
Погрешность (K): 3 дБ (A)

⚠ ОСТОРОЖНО: Используйте средства защиты слуха.

Вибрация

Суммарное значение вибрации (сумма векторов по трем осям), определенное в соответствии с EN62841:

Модель DLS110

Распространение вибрации (a_h): 2,5 м/с² или менее
Погрешность (K): 1,5 м/с²

Модель DLS111

Распространение вибрации (a_h): 2,5 м/с² или менее
Погрешность (K): 1,5 м/с²

Модель DLS112

Распространение вибрации (a_h): 2,5 м/с² или менее
Погрешность (K): 1,5 м/с²

ПРИМЕЧАНИЕ: Заявленное значение распространения вибрации измерено в соответствии со стандартной методикой испытаний и может быть использовано для сравнения инструментов.

ПРИМЕЧАНИЕ: Заявленное значение распространения вибрации можно также использовать для предварительных оценок воздействия.

⚠ ОСТОРОЖНО: Распространение вибрации во время фактического использования электроинструмента может отличаться от заявленного значения в зависимости от способа применения инструмента.

⚠ ОСТОРОЖНО: Обязательно определите меры безопасности для защиты оператора, основанные на оценке воздействия в реальных условиях использования (с учетом всех этапов рабочего цикла, таких как выключение инструмента, работа без нагрузки и включение).

Декларация о соответствии ЕС

Только для европейских стран

Декларация о соответствии ЕС включена в руководство по эксплуатации (Приложение А).

МЕРЫ БЕЗОПАСНОСТИ

Общие рекомендации по технике безопасности для электроинструментов

⚠ ОСТОРОЖНО: Ознакомьтесь со всеми представленными инструкциями по технике безопасности, указаниями, иллюстрациями и техническими характеристиками, прилагаемыми к данному электроинструменту. Несоблюдение каких-либо инструкций, указанных ниже, может привести к поражению электрическим током, пожару и/или серьезной травме.

Сохраните брошюру с инструкциями и рекомендациями для дальнейшего использования.

Термин "электроинструмент" в предупреждениях относится ко всему инструменту, работающему от сети (с проводом) или на аккумуляторах (без провода).

Инструкции по технике безопасности для торцовочных пил

1. Торцовочные пилы предназначены для распиливания дерева или древесноподобных изделий и не предназначены для работы с абразивными отрезными дисками для резания изделий из черного металла, таких как брусья, прутья, стержни и т.п. Абразивный порошок приводит к заклиниванию нижнего щитка. Искры от абразивной резки обжигают нижний щиток, вставную режущую пластину и другие пластиковые компоненты.
2. По возможности используйте тиски для закрепления детали. Если вы держите распиливаемую деталь в руках, то следите, чтобы они были на расстоянии не менее 100 мм с каждой стороны от пильного диска.

- Не используйте эту пилу для распиливания деталей, которые в силу их малых размеров невозможно надежно закрепить в тисках или удерживать руками. Близкое положение рук по отношению к пильному диску повышает риск получения травмы от контакта с диском.
3. **Распиливаемую деталь необходимо прочно закрепить или крепко неподвижно держать по отношению к ограде и столу. Не подавайте деталь на пильный диск и не выполняйте каких-либо действий одними руками.** Незакрепленные и подвижные детали могут быть отброшены диском, вращающимся с высокой частотой, что может привести к травмам.
 4. **Вдавливайте пилу для резания детали. Не тяните пилу для резания детали. Чтобы сделать распил детали, установите головку пилы над деталью, не разрезая ее, запустите мотор, вдавите головку и затем всю пилу.** Если тянуть пилу, то пильный диск поднимется кверху детали и резко сорвется к сторону оператора.
 5. **Никогда не оставляйте руку на намеченной линии распила ни за, ни перед пильным диском.** Удержание детали "крест-накрест", т.е. левой рукой с правой стороны или наоборот крайне опасно.
- **Рис.1**
6. **Не заносите руку за ограду на расстояние менее 100 мм от каждой стороны пильного диска для того чтобы убрать опилки, или по любой другой причине, пока диск вращается.** Вы можете неправильно оценить близость вращающегося пильного диска по отношению к вашей руке, и это может стать причиной серьезной травмы.
 7. **Перед распиливанием осмотрите деталь. Если деталь изогнута или перекручена, зажмите ее внешней изогнутой стороной к ограде.** Убедитесь, что вдоль линии распила между деталью, оградой и столом нет зазоров. Изогнутые или перекрученные детали могут выкручиваться и смещаться, что приводит к заклиниванию пильного диска во время резания. В детали не должно быть гвоздей и других посторонних предметов.
 8. **Перед использованием пилы уберите со стола все инструменты, опилки и т.п. Оставьте только деталь.** Мелкий мусор и частички дерева или другие предметы при контакте с вращающимся диском могут быть отброшены на высокой скорости.
 9. **За один раз возможно распиливание только одной детали.** Детали, сложенные в стопку, невозможно закрепить должным образом, и они могут застрять на диске или смещаться по ходу резания.
 10. **Перед использованием торцовочной пилы убедитесь, что она установлена на твердой ровной поверхности.** Твердая и ровная поверхность исключает риск дестабилизации торцовочной пилы.
 11. **Составьте план работы. Каждый раз, изменяя угол скоса или торца, убедитесь в правильной установке ограды для поддержки детали, при которой она не будет мешать пильному диску и защитной системе.** Не включая инструмент и без детали на столе, проведите пильный диск вдоль намеченной линии распила, чтобы убедиться в отсутствии преград и риска повреждения ограды.
 12. **Обеспечьте надежную поддержку в виде удлинителей стола, козел и т.п. для детали, которая шире или длиннее поверхности стола.** Детали, которые длиннее или шире стола торцовочной пилы, без надежной опоры могут опрокидываться. При опрокидывании обрезков или детали возможно отбрасывание от вращающегося диска или поднятие нижнего щитка.
 13. **Не просите других людей поддержать детали.** Неустойчивая опора детали может привести к застреванию диска или смещению детали во время резания, что притянет вас и вашего помощника к вращающемуся диску.
 14. **Обрезок не должен быть каким-либо образом зажат или прижат к вращающемуся пильному диску.** Если обрезок привязан упором для установки длины, то он может быть заклинен на диске и с силой отброшен.
 15. **Используйте тиски или специальную подставку для обеспечения должной опоры круглым деталям, таким как прутья или трубки.** Путья могут скапываться во время разрезания, из-за чего диск оставляет зацепы и притягивает их вместе с рукой к себе.
 16. **Перед тем как опустить диск на деталь, дождитесь, чтобы он набрал полную скорость вращения.** Эта мера позволит избежать риска отбрасывания детали.
 17. **Если деталь или диск застревает, выключите торцовочную пилу. Дождитесь полной остановки всех подвижных деталей и отключите инструмент от источника питания и/или извлеките аккумулятор.** Затем приступайте к извлечению застрявшего материала. Если продолжить распиливание застрявшей детали, может произойти потеря управления или может быть нанесен вред торцовочной пиле.
 18. **По завершении распиливания выключите устройство, приведите головку пилу в нижнее положение и дождитесь остановки вращения диска, прежде чем забирать обрезок.** Подносить руку к диску, вращающемуся по инерции, опасно.
 19. **При выполнении неполного распила или при выключении устройства крепко держите рукоятку, пока головка пилы не опустится.** Торможение пилы может привести к резкому опусканию головки, что, в свою очередь, может привести к травмам.
 20. **Разрешается использовать только пильные диски с диаметром, соответствующим указанному на инструменте или в руководстве.** Применение диска неверного размера может препятствовать надлежащей защите диска или мешать работе защитного кожуха, что, в свою очередь, может стать причиной серьезных травм.

21. Используйте только пильные диски, маркировка максимальной скорости которых равна или выше скорости, указанной на инструменте.
22. Используйте пилу только для резки древесины, алюминия или подобных материалов.
23. (Только для европейских стран) Используйте диски, соответствующие EN847-1.
24. Следите за тем, чтобы не повредить шпиндель, фланцы (особенно монтажную поверхность) или болт. Повреждение этих деталей может привести к поломке диска.
25. Убедитесь в прочном креплении поворотного основания и в его неподвижности во время выполнения работ. С помощью отверстий в основании прикрепите пилу к устойчивой рабочей поверхности или верстаке. НИКОГДА не используйте инструмент в неудобном для оператора положении.

Дополнительные инструкции

1. Ограничьте доступ детей к мастерской с помощью замка.
2. Не становитесь ногами на инструмент. Опрокидывание инструмента или непреднамеренный контакт с режущим узлом могут привести к серьезным травмам.
3. Никогда не оставляйте работающий инструмент без присмотра. Выключайте питание. Не отходите от инструмента до его полной остановки.
4. Не эксплуатируйте пилу без установленных ограждений. Перед каждым использованием проверяйте ограждение полотна. Не эксплуатируйте пилу, если ограждение полотна не перемещается свободно и мгновенно не закрывается. Запрещается фиксировать или привязывать ограждение в открытом положении.
5. Держите руки на расстоянии от направления движения пильного диска. Избегайте контакта с любым диском, вращающимся по инерции. Он все еще может причинить серьезные травмы.
6. Чтобы снизить риск получения травмы, каждый раз по завершении поперечного распила возвращайте каретку до упора в заднее положение.
7. Перед переноской инструмента обязательно закрепите все подвижные части.
8. Стопорный штифт, блокирующий шпиндельную головку, предназначен только для переноски и хранения, а не для каких-либо операций резки.
9. Перед эксплуатацией тщательно осмотрите диск и убедитесь в отсутствии трещин или повреждений. Немедленно замените треснувший или поврежденный диск. Смола и древесный пек, затвердевшие на пильных дисках, снижают производительность пилы и повышают потенциальный риск отдачи. Содержите пилу в чистоте. Для этого снимайте ее с инструмента и очищайте растворителем смолы и древесного пека, горячей водой или керосином. Не используйте бензин для очистки диска.
10. Во время выполнения скользящего распила может произойти ОТДАЧА. ОТДАЧА происходит, если диск заедает во время распила детали и резко отскакивает в сторону оператора. Это может привести к потере управления и серьезным травмам. Если диск заедает во время распила, немедленно прекратите работу и выключите устройство.
11. Пользуйтесь только фланцами, предназначенными для данного инструмента.
12. Следите за тем, чтобы диск не касался поворотного основания в самом нижнем положении.
13. Крепко держите ручку. Помните, что во время запуска и остановки пила немного движется вверх или вниз.
14. Перед включением убедитесь в том, что полотно не касается обрабатываемой детали.
15. Перед использованием инструмента на детали дайте ему немного поработать вхолостую. Убедитесь в отсутствии вибрации или биения, которые могут свидетельствовать о неправильной установке или дисбалансе лезвия.
16. Немедленно прекратите работу, если вы заметили какие-либо отклонения.
17. Не пытайтесь заблокировать триггерный переключатель во включенном положении.
18. Обязательно используйте принадлежности, рекомендованные в данном руководстве. Использование несоответствующих принадлежностей, таких как, например, абразивные круги, может привести к травме.
19. Некоторые материалы могут содержать токсичные химические вещества. Примите соответствующие меры предосторожности, чтобы избежать вдыхания или контакта с кожей таких веществ. Соблюдайте требования, указанные в паспорте безопасности материала.

Дополнительные правила техники безопасности для лазера

1. ЛАЗЕРНОЕ ИЗЛУЧЕНИЕ, НЕ СМОТРЕТЬ НА ЛУЧ ИЛИ ЧЕРЕЗ ОПТИЧЕСКИЕ ПРИБОРЫ, ЛАЗЕРНОЕ УСТРОЙСТВО КЛАССА 2М.

СОХРАНИТЕ ДАННЫЕ ИНСТРУКЦИИ.

▲ОСТОРОЖНО: НЕ ДОПУСКАЙТЕ, чтобы удобство или опыт эксплуатации данного устройства (полученный от многократного использования) доминировали над строгим соблюдением правил техники безопасности при обращении с этим устройством. **НЕПРАВИЛЬНОЕ ИСПОЛЬЗОВАНИЕ** инструмента или несоблюдение правил техники безопасности, указанных в данном руководстве, может привести к тяжелой травме.

Важные правила техники безопасности для работы с аккумуляторным блоком

1. Перед использованием аккумуляторного блока прочитайте все инструкции и предупреждающие надписи на (1) зарядном устройстве, (2) аккумуляторном блоке и (3) инструменте, работающем от аккумуляторного блока.
 2. Не разбирайте аккумуляторный блок.
 3. Если время работы аккумуляторного блока значительно сократилось, немедленно прекратите работу. В противном случае, может возникнуть перегрев блока, что приведет к ожогам и даже к взрыву.
 4. В случае попадания электролита в глаза промойте их обильным количеством чистой воды и немедленно обратитесь к врачу. Это может привести к потере зрения.
 5. Не замыкайте контакты аккумуляторного блока между собой:
 - (1) Не прикасайтесь к контактам какими-либо токопроводящими предметами.
 - (2) Не храните аккумуляторный блок в контейнере вместе с другими металлическими предметами, такими как гвозди, монеты и т. п.
 - (3) Не допускайте попадания на аккумуляторный блок воды или дождя.
- Замыкание контактов аккумуляторного блока между собой может привести к возникновению большого тока, перегреву, возможному ожогу и даже поломке блока.
6. Не храните инструмент и аккумуляторный блок в местах, где температура может достигать или превышать 50 °C (122 °F).
 7. Не бросайте аккумуляторный блок в огонь, даже если он сильно поврежден или полностью вышел из строя. Аккумуляторный блок может взорваться под действием огня.
 8. Не роняйте и не ударяйте аккумуляторный блок.
 9. Не используйте поврежденный аккумуляторный блок.
 10. Входящие в комплект литий-ионные аккумуляторы должны эксплуатироваться в соответствии с требованиями законодательства об опасных товарах.

При коммерческой транспортировке, например, третьей стороной или экспедитором, необходимо нанести на упаковку специальные предупреждения и маркировку.

В процессе подготовки устройства к отправке обязательно проконсультируйтесь со специалистом по опасным материалам. Также соблюдайте местные требования и нормы. Они могут быть строже.

Закройте или закрепите разомкнутые контакты и упакуйте аккумулятор так, чтобы он не перемещался по упаковке.

11. Выполняйте требования местного законодательства относительно утилизации аккумуляторного блока.
12. Используйте аккумуляторы только с продукцией, указанной Makita. Установка аккумуляторов на продукцию, не соответствующую требованиям, может привести к пожару, перегреву, взрыву или утечке электролита.

СОХРАНИТЕ ДАННЫЕ ИНСТРУКЦИИ.

▲ВНИМАНИЕ: Используйте только фирменные аккумуляторные батареи Makita. Использование аккумуляторных батарей, не произведенных Makita, или батарей, которые были подвергнуты модификациям, может привести к взрыву аккумулятора, пожару, травмам и повреждению имущества. Это также автоматически аннулирует гарантию Makita на инструмент и зарядное устройство Makita.

Советы по обеспечению максимального срока службы аккумулятора

1. Заряжайте блок аккумуляторов перед его полной разрядкой. Обязательно прекратите работу с инструментом и зарядите блок аккумуляторов, если вы заметили снижение мощности инструмента.
2. Никогда не подзаряжайте полностью заряженный блок аккумуляторов. Перезарядка сокращает срок службы аккумулятора.
3. Заряжайте блок аккумуляторов при комнатной температуре в 10 - 40 °C (50 - 104 °F). Перед зарядкой горячего блока аккумулятора дайте ему остыть.
4. Зарядите ионно-литиевый аккумуляторный блок, если вы не будете пользоваться инструментом длительное время (более шести месяцев).

Важные правила техники безопасности для работы с беспроводным блоком

1. Не разбирайте и не меняйте конструкцию беспроводного блока.
2. Храните беспроводной блок в недоступном для детей месте. При случайном проглатывании немедленно обратитесь к врачу.
3. Используйте беспроводной блок только с инструментами Makita.
4. Не подвергайте беспроводной блок воздействию дождя или влаги.
5. Не используйте беспроводной блок в тех местах, где температура превышает 50 °C.
6. Не используйте беспроводной блок в тех местах, где поблизости могут находиться медицинские инструменты, например, кардиостимуляторы.

7. Не используйте беспроводной блок в тех местах, где могут находиться автоматизированные устройства. При использовании автоматизированных устройств могут возникнуть сбои или ошибки.
8. Беспроводной блок может создавать электромагнитные поля (EMF), которые не представляют опасности для пользователя.
9. Беспроводной блок является точным инструментом. Не роняйте и не ударяйте беспроводной блок.
10. Не прикасайтесь к клемме беспроводного блока голыми руками или металлическими предметами.
11. Во время установки беспроводного блока обязательно вытащите аккумулятор из инструмента.
12. Не открывайте крышку гнезда в таких местах, где в него может попасть пыль и вода. Входное отверстие гнезда всегда должно быть чистым.
13. Обязательно вставляйте беспроводной блок в правильном направлении.
14. Не нажимайте слишком сильно кнопку активации на беспроводном блоке и/или не нажимайте кнопку, используя объекты с острым краем.
15. Во время работы обязательно закрывайте крышку гнезда.
16. Не вытаскивайте беспроводной блок из гнезда, если на инструмент подано питание. Это может привести к неисправной работе беспроводного блока.
17. Не снимайте наклейку с беспроводного блока.
18. Не приклеивайте к беспроводному блоку никаких наклеек.
19. Не оставляйте беспроводной блок в таких местах, где может скапливаться статическое электричество или присутствовать электрические помехи.
20. Не оставляйте беспроводной блок в местах с высокой температурой, например на сиденье автомобиля в жару.
21. Не оставляйте беспроводной блок в местах, где присутствует пыль или порошок, или может образоваться коррозионный газ.
22. Внезапное изменение температуры может привести к образованию конденсата на беспроводном блоке. Не используйте беспроводной блок до тех пор, пока конденсат полностью не высохнет.
23. При чистке беспроводного блока аккуратно протрите его сухой мягкой тканью. Не используйте бензин, разбавитель, проводящую смазку или аналогичные материалы.
24. При хранении беспроводного блока поместите его в поставляемый футляр или в контейнер без статического электричества.
25. Не вставляйте в гнездо на инструменте никаких других устройств, кроме беспроводного блока Makita.
26. Не используйте инструмент с поврежденной крышкой гнезда. В гнездо может попасть вода, пыль и грязь, это может привести к неисправности.
27. Не тяните и/или не скручивайте крышку гнезда сильнее, чем это необходимо. Если крышка отсоединилась от инструмента, установите ее на место.
28. Замените крышку гнезда, если она утеряна или повреждена.

СОХРАНИТЕ ДАННЫЕ ИНСТРУКЦИИ.

ОПИСАНИЕ ДЕТАЛЕЙ

► Рис.2

| | | | | | | | |
|----|--|----|---|----|---------------------------------------|----|---|
| 1 | Подвижная стойка | 2 | Стопорный штифт (для перемещения каретки) | 3 | Вертикальные тиски | 4 | Кнопка разблокировки (для правого угла скоса) |
| 5 | Держатель | 6 | Поворотное основание | 7 | Указатель (для угла резки) | 8 | Шкала угла резки |
| 9 | Планка для пропилов | 10 | Корпус диска | 11 | Винт регулировки (для лазерной линии) | 12 | Винт регулировки диапазона (для лазерной линии) |
| 13 | Ограждение диска | 14 | Регулятор (для угла скоса) | 15 | Шестигранный ключ | 16 | Регулировочный винт (для нижнего предельного положения) |
| 17 | Регулировочный болт (для максимальной режущей способности) | 18 | Стопорный рычаг | 19 | Блок аккумулятора | 20 | Рычаг блокировки (для поворотного основания) |
| 21 | Рычаг разблокировки (для поворотного основания) | 22 | Рукоятка (для поворотного основания) | - | - | - | - |

► Рис.3

| | | | | | | | |
|----|---|----|---|----|---|----|---|
| 1 | Триггерный переключатель | 2 | Кнопка разблокировки | 3 | Отверстие для навесного замка | 4 | Крышка (для беспроводного блока) (Только для DLS111) |
| 5 | Переключатель (для лазерной линии) (Только для DLS111, DLS112) | 6 | Индикатор аккумулятора | 7 | Индикатор режима | 8 | Кнопка проверки |
| 9 | Кнопка беспроводной активации | 10 | Лампа беспроводной активации | 11 | Шланг (для пылеудаления) | 12 | Стопорный штифт (для подъема каретки) |
| 13 | Направляющая линейка (нижнее ограждение) | 14 | Направляющая линейка (верхнее ограждение) | 15 | Пылесборный мешок | 16 | Болт регулировки 0° (для угла скоса) |
| 17 | Шкала угла скоса | 18 | Рычаг разблокировки (для угла скоса 48°) | 19 | Рычаг с предохранительной защелкой (для угла скоса) | 20 | Указатель (для угла скоса) |
| 21 | Болт регулировки 45° (для угла скоса) | - | - | - | - | - | - |

УСТАНОВКА

Установка рукоятки

Ввинтите резьбовой вал рукоятки в поворотное основание.

► Рис.4: 1. Ручка 2. Поворотное основание

Установка шланга пылеудаления

Подсоедините шланг пылеудаления к инструменту, как показано на рисунке.

Убедитесь, что колено и рукав надежно подсоединены к отверстиям инструмента.

► Рис.5: 1. Шланг пылеудаления 2. Колено 3. Муфта 4. Отверстие

Установка на верстак

При поставке инструмента рукоятка заблокирована в нижнем положении с помощью стопорного штифта. Во время опускания рукоятки потяните стопорный штифт и поверните его на 90°.

► Рис.6: 1. Положение блокировки 2. Положение разблокировки 3. Стопорный штифт

Данный инструмент необходимо прикрутить четырьмя болтами к ровной и устойчивой поверхности, используя отверстия для болтов в основании инструмента. Это поможет предотвратить опрокидывание и возможные травмы.

► Рис.7: 1. Болт

⚠ОСТОРОЖНО: Убедитесь, что инструмент не перемещается на опорной поверхности. Перемещение торцовочной пилы на опорной поверхности во время резки может привести к потере контроля над инструментом и получению тяжелой травмы.

ОПИСАНИЕ РАБОТЫ

⚠ОСТОРОЖНО: Перед регулировкой или проверкой функций инструмента обязательно убедитесь, что он выключен и его аккумуляторный блок снят. Несоблюдение этого требования может стать причиной тяжелой травмы из-за случайного включения инструмента.

Установка или снятие блока аккумулятора

⚠ВНИМАНИЕ: Обязательно выключайте инструмент перед установкой и извлечением аккумуляторного блока.

⚠ВНИМАНИЕ: При установке и извлечении аккумуляторного блока крепко удерживайте инструмент и аккумуляторный блок. Если не соблюдать это требование, они могут выскользнуть из рук, что приведет к повреждению инструмента, аккумуляторного блока и травмированию оператора.

► Рис.8: 1. Красный индикатор 2. Кнопка 3. Блок аккумулятора

Для снятия аккумуляторного блока нажмите кнопку на лицевой стороне и извлеките блок.

Для установки аккумуляторного блока совместите выступ аккумуляторного блока с пазом в корпусе и задвиньте его на место. Устанавливайте блок до упора так, чтобы он зафиксировался в месте с небольшим щелчком. Если вы можете видеть красный индикатор на верхней части клавиши, адаптер аккумулятора не полностью установлен на месте.

ВНИМАНИЕ: Обязательно устанавливайте аккумуляторный блок до конца, чтобы красный индикатор не был виден. В противном случае аккумуляторный блок может выпасть из инструмента и нанести травму вам или другим людям.

ВНИМАНИЕ: Не прилагайте чрезмерных усилий при установке аккумуляторного блока. Если блок не двигается свободно, значит он вставлен неправильно.

ПРИМЕЧАНИЕ: Инструмент не будет работать с одним аккумуляторным блоком.

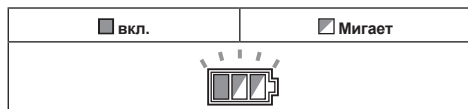
Система защиты инструмента/аккумулятора

На инструменте предусмотрена система защиты инструмента/аккумулятора. Она автоматически отключает питание двигателя для продления срока службы инструмента и аккумулятора. Инструмент автоматически остановится во время работы в следующих случаях:

Защита от перегрузки

Если из-за способа эксплуатации инструмент потребляет очень большое количество тока, он автоматически остановится без включения каких-либо индикаторов. В этом случае выключите инструмент и прекратите работу, повлекшую перегрузку инструмента. Затем включите инструмент для перезапуска.

Защита от перегрева



При перегреве инструмент автоматически останавливается, а индикатор аккумулятора мигает около 60 секунд. В таком случае дайте инструменту остыть перед повторным включением.

Защита от переразрядки

При истощении заряда аккумулятора инструмент автоматически останавливается. Если устройство не работает даже после нажатия переключателей, снимите аккумуляторы с инструмента и зарядите их.

Индикация оставшегося заряда аккумулятора

► Рис.9: 1. Индикатор аккумулятора 2. Кнопка проверки

Нажмите кнопку проверки для проверки заряда аккумулятора. Индикаторы соответствуют каждому аккумулятору.

| Состояние индикатора аккумуляторной батареи | | | Уровень заряда аккумулятора |
|---|-------|--------|-----------------------------|
| Вкл. | Выкл. | Мигает | |
| | | | от 50% до 100% |
| | | | от 20% до 50% |
| | | | от 0% до 20% |
| | | | Зарядите аккумулятор |

Индикация оставшегося заряда аккумулятора

Только для блоков аккумулятора с индикатором

► Рис.10: 1. Индикаторы 2. Кнопка проверки

Нажмите кнопку проверки на аккумуляторном блоке для проверки заряда. Индикаторы загорятся на несколько секунд.

| Индикаторы | | | Уровень заряда |
|------------|-------|--------|--|
| Горит | Выкл. | Мигает | |
| | | | от 75 до 100% |
| | | | от 50 до 75% |
| | | | от 25 до 50% |
| | | | от 0 до 25% |
| | | | Зарядите аккумуляторную батарею. |
| | | | Возможно, аккумуляторная батарея неисправна. |

ПРИМЕЧАНИЕ: В зависимости от условий эксплуатации и температуры окружающего воздуха индикация может незначительно отличаться от фактического значения.

Функция автоматического изменения скорости

► Рис.11: 1. Индикатор режима

| Состояние индикатора режима | | Режим работы |
|---|---|----------------------------------|
| ● Вкл | ○ Выкл | |
|  |  | Режим высокой скорости |
|  |  | Режим высокого крутящего момента |

В данном инструменте предусмотрен "режим высокой скорости" и "режим высокого крутящего момента". Он автоматически меняет режим работы в зависимости от нагрузки. Если во время работы включается индикатор режима, инструмент находится в режиме высокого крутящего момента.

Ограждение диска

► Рис.12: 1. Ограждение диска

При опускании рукоятки ограждение диска поднимается автоматически. Ограждение подпружинено, поэтому после окончания распиливания и подъема рукоятки оно возвращается в исходное положение.

⚠ ОСТОРОЖНО: Запрещается ломать или снимать ограждение режущего диска или пружину, соединенную с ограждением. Открытый диск, в случае поломки ограждения, может стать причиной тяжелых травм во время работы.

Для обеспечения личной безопасности всегда поддерживайте ограждение диска в рабочем состоянии. Немедленно устраняйте любые неисправности ограждения диска. Убедитесь в возвратном действии ограждения под нагрузкой пружины.

⚠ ОСТОРОЖНО: Запрещается пользоваться инструментом, если ограждение диска или пружина повреждены, неисправны или сняты. Эксплуатация инструмента с поврежденным, неисправным или снятым ограждением может привести к тяжелой травме.

Если видимая часть ограждения диска загрязнится, или если опилки настолько прилипнут к нему, что диск и/или обрабатываемую деталь уже нельзя будет увидеть, извлеките аккумулятор и тщательно очистите ограждение влажной тканью. Для очистки пластикового ограждения не используйте растворители или очистители на основе бензина. Они могут повредить ограждение.

Если ограждение диска сильно загрязнено и через него ничего не видно, извлеките аккумулятор и ослабьте шестигранный болт центральной крышки при помощи поставляемого с инструментом гаечного ключа. Ослабьте шестигранный болт, повернув его против часовой стрелки, и поднимите ограждение диска и центральную крышку. Такое положение ограждения диска позволит полностью и эффективно очистить его. После очистки выполните описанные выше операции в обратном порядке и затяните болт. Не снимайте пружину крепления ограждения диска. При обслуживании ограждения со временем или под воздействием ультрафиолетовых лучей свяжитесь с сервисным центром компании Makita, чтобы получить новое ограждение. НЕ ЛОМАЙТЕ и НЕ СНИМАЙТЕ ОГРАЖДЕНИЕ.

► Рис.13: 1. Центральная крышка 2. Шестигранный ключ 3. Ограждение диска

Планки для пропилов

Данный инструмент оборудован планками для пропилов в поворотном основании для уменьшения разрыва на выходной стороне распила. Планки для пропилов отрегулированы на предприятии-изготовителе таким образом, что пильный диск не касается планок для пропилов. Перед использованием планок для пропилов отрегулируйте их следующим образом.

► Рис.14: 1. Планка для пропилов

► Рис.15: 1. Резка со скосом влево 2. Прямая резка 3. Резка со скосом вправо 4. Пильный диск 5. Зубья диска 6. Планка для пропилов

Сначала снимите аккумуляторы. Ослабьте все винты (2 слева и справа), с помощью которых крепятся планки для пропилов, затем снимите планки вручную. Полностью опустите рукоятку, затем потяните и поверните стопорный штифт, чтобы зафиксировать ее в опущенном положении. Отпустите стопорный штифт на подвижной стойке и потяните каретку вперед до упора. Отрегулируйте положение планок для пропилов так, чтобы они слегка касались боковых сторон зубьев диска. Затяните передние винты (не затягивайте их сильно). До конца задвиньте каретку к направляющей линейке и отрегулируйте положение планок для пропилов так, чтобы они слегка касались боковых сторон зубьев диска. Затяните задние винты (не затягивайте их сильно).

После регулировки планок для пропилов отпустите стопорный штифт и поднимите рукоятку. Затем крепко затяните все винты.

ПРИМЕЧАНИЕ: Установив угол скоса, убедитесь в правильной регулировке планок для пропилов. Правильная регулировка плашек для распила помогает добиться надежной опоры для детали, сводя к минимуму возможность ее срыва с крепления.

Обеспечение максимальной режущей способности

Данный инструмент отрегулирован на заводе таким образом, чтобы обеспечить максимальную режущую способность 260 мм для пильного полотна.

При установке нового диска всегда проверяйте нижнее предельное положение диска. При необходимости, выполните регулировку следующим образом.

Сначала снимите аккумуляторы. Поверните рычаг ограничителя в положение включения.

► Рис.16: 1. Рычаг ограничителя

Полностью задвиньте каретку к направляющей линейке и полностью опустите рукоятку.

Отрегулируйте положение диска, повернув регулировочный болт с помощью шестигранного ключа. Внешний край диска должен слегка выступать за пределы верхней поверхности поворотного основания, а также доходить до точки, в которой передняя поверхность направляющей линейки стыкуется с верхней поверхностью поворотного основания.

► Рис.17: 1. Регулировочный болт

- **Рис.18:** 1. Верхняя поверхность поворотного основания 2. Внешний край диска 3. Направляющая линейка

Извлеките аккумуляторы и проверните дисковую пилу рукой, удерживая рукоятку полностью нажатой вниз, чтобы убедиться в том, что дисковая пила не прикасается к какой-либо поверхности нижнего основания. При необходимости выполните повторную точную регулировку.

После настройки обязательно возвращайте стопорный рычаг в исходное положение.

⚠ОСТОРОЖНО: После установки нового диска (при извлеченных аккумуляторах) обязательно проверьте, не соприкасается ли диск с какой-либо частью нижнего основания при полностью опущенной рукоятке. Задевание диском основания может стать причиной отдачи и тяжелых травм.

Стопорный рычаг

Нижнее предельное положение диска легко регулируется с помощью стопорного рычага. Для регулировки поверните стопорный рычаг в направлении стрелки, как показано на рисунке. Поверните регулировочный винт так, чтобы диск останавливался в необходимом положении при полном опускании рукоятки.

- **Рис.19:** 1. Стопорный рычаг 2. Регулировочный винт

Регулировка угла резки

⚠ВНИМАНИЕ: После изменения угла резки обязательно закрепите поворотное основание, крепко затянув рукоятку.

ПРИМЕЧАНИЕ: При повороте основания обязательно полностью поднимите рукоятку.

- **Рис.20:** 1. Рычаг блокировки 2. Ручка 3. Рычаг разблокировки 4. Указатель

Поверните против часовой стрелки ручку, отвечающую за разблокировку поворотного основания. Поверните ручку, удерживая в нижнем положении рычаг блокировки, чтобы повернуть основание. Установите указатель на нужный угол на шкале, затем затяните ручку.

ПРИМЕЧАНИЕ: Если отпустить рычаг разблокировки, изменить положение поворотного основания будет возможно, не удерживая рычаг блокировки в нижнем положении. Затяните ручку, обеспечив необходимое положение.

Эта торцовочная пила оснащена функцией блокировки. Можно быстро установить 0° , 15° , $22,5^\circ$, $31,6^\circ$, 45° и 60° угол резки справа/слева. Для того чтобы использовать эту функцию, установите поворотное основание в положение, наиболее близкое к необходимому углу блокировки, удерживая рычаг блокировки в нижнем положении. Затем отпустите рычаг блокировки и переместите поворотное основание вперед до тех пор, пока оно не будет заблокировано.

Регулировка угла скоса

ПРИМЕЧАНИЕ: Перед установкой угла резки всегда снимайте верхние направляющие линейки и вертикальные тиски.

ПРИМЕЧАНИЕ: При изменении углов скоса обязательно устанавливайте планки для пропилов в надлежащее положение согласно разделу "Планки для пропилов".

ПРИМЕЧАНИЕ: При наклоне пильного диска обязательно полностью поднимите рукоятку.

ПРИМЕЧАНИЕ: Не затягивайте ручку слишком сильно. Это может вызвать неисправность стопорного механизма угла скоса.

1. Поверните регулятор на подвижной стойке против часовой стрелки.
► **Рис.21:** 1. Круглая ручка
2. Потяните и поверните рычаг с предохранительной защелкой в показанное на рисунке положение.
► **Рис.22:** 1. Рычаг с предохранительной защелкой
3. Установите указатель на нужный угол на шкале, перемещая каретку, затем затяните регулятор.
► **Рис.23:** 1. Шкала угла скоса 2. Указатель

Чтобы наклонить каретку вправо, наклоните ее слегка влево, затем наклоните каретку вправо, нажимая кнопку разблокировки.

- **Рис.24:** 1. Кнопка разблокировки

Если вы осуществляете резку со скосом больше 45° , переместите каретку, постепенно смещая рычаг разблокировки вперед по отношению к инструменту. Вы можете совершить резку со скосом до 48° .

- **Рис.25:** 1. Рычаг разблокировки

Эта торцовочная пила оснащена функцией блокировки. Можно быстро установить угол $22,5^\circ$ и $33,9^\circ$ справа и слева. Установите рычаг с предохранительной защелкой в положение, показанное на рисунке, и наклоните каретку. Чтобы изменить угол, потяните за рычаг с предохранительной защелкой и наклоните каретку.

- **Рис.26:** 1. Рычаг с предохранительной защелкой

⚠ВНИМАНИЕ: После изменения угла скоса всегда фиксируйте регулятор.

Блокировка движения

Чтобы заблокировать скольжение каретки, перемещайте каретку по направлению к направляющей линейке, пока она не остановится. Потяните стопорный штифт и поверните его на 90° .

- **Рис.27:** 1. Положение разблокировки 2. Положение блокировки 3. Стопорный штифт

Действие выключателя

⚠ОСТОРОЖНО: Перед установкой аккумулятора в инструмент обязательно убедитесь, что триггерный переключатель работает должным образом и возвращается в положение "OFF" (ВЫКЛ) при отпускании. Не нажимайте сильно на триггерный переключатель без нажатия на кнопку разблокировки. Это может привести к поломке переключателя.

Эксплуатация инструмента с неисправным переключателем может привести к потере контроля над инструментом и получению тяжелой травмы.

⚠ОСТОРОЖНО: ЗАПРЕЩАЕТСЯ эксплуатировать инструмент с неисправным триггерным переключателем. Инструмент с неисправным триггерным переключателем КРАЙНЕ ОПАСЕН, перед дальнейшим использованием его необходимо отремонтировать. В противном случае можно получить тяжелую травму.

⚠ОСТОРОЖНО: ЗАПРЕЩАЕТСЯ нарушать работу кнопки разблокировки, заклеивая ее скотчем или другими способами. Выключатель с неработающей кнопкой разблокировки может стать причиной случайного включения и причинения тяжелой травмы.

⚠ОСТОРОЖНО: ЗАПРЕЩАЕТСЯ использовать инструмент, когда он работает при простом нажатии на триггерный переключатель без нажатия на кнопку разблокировки. Требующий ремонта инструмент может случайно включиться и причинить тяжелую травму. Верните инструмент в сервисный центр Makita для надлежащего ремонта ДО продолжения его эксплуатации.

► **Рис.28:** 1. Триггерный переключатель 2. Кнопка разблокировки 3. Отверстие для навесного замка

Для предотвращения непреднамеренного включения триггерного переключателя имеется кнопка разблокировки. Для включения инструмента нажмите на кнопку разблокировки, а затем на триггерный переключатель. Отпустите триггерный переключатель для остановки. В триггерном переключателе предусмотрено отверстие под дужку навесного замка для блокировки инструмента.

⚠ОСТОРОЖНО: Не используйте замок с дужкой или тросом менее 6,35 мм (1/4 дюйма) в диаметре. Дужка или трос меньшего размера может не полностью зафиксировать инструмент в выключенном положении, что может стать причиной случайного включения и причинения тяжелой травмы.

Электронная функция

Постоянный контроль скорости

Инструмент снабжен электронным регулятором скорости, который позволяет поддерживать постоянную скорость вращения диска даже под нагрузкой. Постоянная скорость вращения диска обеспечивает гладкий разрез.

Функция плавного запуска

Эта функция позволяет плавно включать инструмент путем ограничения пускового момента.

Действие лазерного луча

Только для *DLS111, DLS112*

⚠ВНИМАНИЕ: Запрещается смотреть на лазерный луч. Прямое лазерное излучение может повредить зрение.

Чтобы включить лазерную подсветку, нажмите выключатель в верхней части (1). Чтобы выключить лазерную подсветку, нажмите выключатель в нижней части (0)

► **Рис.29:** 1. Переключатель лазера

Линию лазера можно смещать либо на левую, либо на правую сторону пильного диска с помощью регулировочного винта следующим образом.

► **Рис.30:** 1. Регулировочный винт

1. Ослабьте регулировочный винт, повернув его против часовой стрелки.
2. Ослабив регулировочный винт, сдвиньте регулировочный винт вправо или влево до упора.
3. Крепко затяните регулировочный винт в крайнем положении сдвига.

ПРИМЕЧАНИЕ: Лазерная линия регулируется на заводе, поэтому она располагается в пределах 1 мм от боковой поверхности диска (положение резки).

ПРИМЕЧАНИЕ: Если лазерный луч плохо видно из-за яркого солнца, сдвиньте рабочее место туда, где солнце не такое яркое.

Регулировка лазерной линии

Совместите линию резки на обрабатываемой детали с лазерной линией.

► **Рис.31**

A) Если необходимо скорректировать размер на левой части детали, переместите лазерную линию на левую часть диска.

B) Если необходимо скорректировать размер на правой части детали, переместите лазерную линию на правую часть диска.

ПРИМЕЧАНИЕ: Приложите деревянную облицовку к направляющей линейке при выравнивании линии резки с лазерной линией со стороны направляющей линейки при составной резке (угол скоса 45° и угол резки 45°).

СБОРКА

⚠ОСТОРОЖНО: Перед выполнением каких-либо работ на инструменте обязательно убедитесь, что он выключен, а аккумуляторный блок извлечен. Несоблюдение этого требования может стать причиной тяжелой травмы.

Хранение шестигранного ключа

Когда шестигранный ключ не используется, храните его, как показано на рисунке, чтобы не потерять.

► **Рис.32:** 1. Шестигранный ключ

Снятие и установка пильного диска

⚠ОСТОРОЖНО: Перед установкой или снятием диска обязательно убедитесь, что инструмент выключен, а блок аккумулятора извлечен. Случайное включение инструмента может привести к тяжелым травмам.

⚠ОСТОРОЖНО: Для установки или снятия диска пользуйтесь только гаечным ключом Makita. Несоблюдение данного требования может привести к слишком сильной затяжке или недостаточной затяжке болта с внутренним шестигранником и серьезным травмам.

Всегда блокируйте каретку в верхнем положении при снятии и установке диска. Потяните стопорный штифт и поверните его на 90° при поднятой каретке.

► **Рис.33:** 1. Положение разблокировки 2. Положение блокировки 3. Стопорный штифт

Снятие диска

Ослабьте болт с шестигранной головкой, удерживающий центральную крышку, с помощью шестигранного ключа. Поднимите ограждение диска и центральную крышку.

► **Рис.34:** 1. Центральная крышка 2. Шестигранный ключ 3. Ограждение диска

Нажмите на кнопку фиксации вала, чтобы заблокировать шпиндель, и при помощи шестигранного ключа ослабьте болт с внутренним шестигранником. Затем снимите болт с внутренним шестигранником, внешний фланец и диск.

► **Рис.35:** 1. Фиксатор вала 2. Шестигранный ключ 3. Болт с внутренним шестигранником (с левой резьбой) 4. Ослабить 5. Затянуть

Установка диска

Для установки диска осторожно наденьте его на шпиндель, убедившись в том, что стрелка на поверхности диска указывает в том же направлении, что и стрелка на корпусе диска.

► **Рис.36:** 1. Стрелка на корпусе диска 2. Стрелка на диске

Установите внешний фланец и болт с внутренним шестигранником. Затяните болт с внутренним шестигранником против часовой стрелки с помощью шестигранного ключа, надавив на фиксатор вала.

► **Рис.37:** 1. Болт с внутренним шестигранником 2. Наружный фланец 3. Пильный диск 4. Внутренний фланец 5. Шпиндель 6. Кольцо

ПРИМЕЧАНИЕ: При удалении внутреннего фланца обязательно установите его на шпиндель выступающей частью от диска. Если фланец установить неправильно, он будет задевать инструмент.

Верните ограждение диска и центральную крышку в первоначальное положение. Затем затяните шестигранный болт по часовой стрелке, чтобы закрепить центральную крышку. Разблокируйте стопорный штифт, чтобы вывести каретку из верхнего положения. Опустите рукоятку, чтобы убедиться, что ограждение диска свободно перемещается. Перед началом работы убедитесь в том, что фиксатор вала разблокировал шпиндель.

⚠ОСТОРОЖНО: Перед установкой диска на шпиндель всегда проверяйте, что между внутренним и внешним фланцами установлено кольцо с соответствующим отверстием для того диска, который вы собираетесь использовать. Использование неправильного кольца с отверстием может привести к неправильной установке диска, что вызовет его перемещение и сильную вибрацию, которая может стать причиной потери контроля над инструментом во время работы и причинения тяжелых травм.

Подключение пылесоса

При необходимости выполнения чистого распиливания подключите пылесос Makita к пылесборному патрубку с помощью передних патрубков 24 (дополнительное приспособление).

► **Рис.38:** 1. Передние патрубки 24 2. Шланг 3. Пылесос

Пылесборный мешок

Использование пылесборного мешка обеспечивает чистоту при выполнении работ и легкость сбора пыли. Чтобы прикрепить пылесборный мешок, снимите шланг пылеудаления инструмента и присоедините мешок.

► **Рис.39:** 1. Шланг пылеудаления 2. Пылесборный мешок

Когда пылесборный мешок заполнится примерно наполовину, снимите его с инструмента и вытяните зажим. Удалите содержимое пылесборного мешка, слегка ударив по нему, чтобы удалить частицы, прилипшие к внутренней части, которые могут ухудшить дальнейший сбор пыли.

► **Рис.40:** 1. Крепление

Крепление обрабатываемой детали

⚠ОСТОРОЖНО: Очень важно правильно закреплять деталь в тисках или в ограничителях. Невыполнение этого требования может привести к тяжелым травмам и повреждению инструмента и/или детали.

⚠ОСТОРОЖНО: После завершения распиливания не поднимайте диск до тех пор, пока он не остановится полностью. Поднятие вращающегося диска может привести к тяжелым травмам и повреждению детали.

⚠ОСТОРОЖНО: При отрезании детали, длина которой больше опорного основания пилы, необходимо поддерживать выступающую часть по всей длине и на одном уровне, чтобы деталь была ровной. Надлежащая опора детали поможет предотвратить защемление диска и возможную отдачу, которая может привести к тяжелым травмам. Не полагайтесь исключительно на вертикальные тиски и/или на горизонтальные тиски при креплении обрабатываемой детали. Тонкий материал подвержен прогибам. Обеспечьте опору для обрабатываемой детали по всей ее длине, чтобы избежать защемления диска и возможной ОТДАЧИ.

► **Рис.41:** 1. Опора 2. Поворотное основание

Направляющие линейки

⚠ ОСТОРОЖНО: Перед включением инструмента убедитесь, что верхнее ограждение надежно закреплено.

⚠ ОСТОРОЖНО: Перед срезанием фаски убедитесь, что инструмент (особенно режущий диск), не касается верхнего и нижнего ограждения при полном опускании и подъеме рукоятки, а также при перемещении каретки по всей длине. Если инструмент или диск коснется ограждения, это может привести к отдаче или неожиданному перемещению материала и тяжелым травмам.

Используйте верхние ограждения для удерживания материала так, чтобы он не касался нижних ограждений. Вставьте верхнее ограждение в отверстие в нижнем ограждении и затяните зажимной винт.

- **Рис.42:** 1. Верхнее ограждение 2. Нижнее ограждение 3. Зажимной винт 4. Регулировочный винт

ПРИМЕЧАНИЕ: Нижние ограждения прикреплены к основанию на предприятии-изготовителе. Не снимайте нижние ограждения.

ПРИМЕЧАНИЕ: Если после затягивания зажимного винта верхнее ограждение не закреплено, поверните регулировочный винт, чтобы устранить зазор. Регулировочный винт настроен на предприятии-изготовителе. Он используется только в случае необходимости.

Когда верхние ограждения не используются, их можно хранить в держателе. Используйте зажим на верхнем ограждении, чтобы прикрепить его к держателю.

- **Рис.43:** 1. Держатель 2. Верхнее ограждение 3. Зажим

Вертикальные тиски

⚠ ОСТОРОЖНО: При выполнении всех типов работ обрабатываемую деталь необходимо прочно закрепить по отношению к поворотному основанию и направляющей линейке с помощью тисков. Если деталь не прижата должным образом к ограждениям, материал может сместиться во время резания и повредить диск. В этом случае возможен разлет осколков и потеря контроля над инструментом, что может стать причиной тяжелых травм.

- **Рис.44:** 1. Ручка тисков 2. Стержень тисков 3. Зажимной винт 4. Головка тисков

Вертикальные тиски можно установить либо справа, либо слева от основания. Вставьте стержень тисков в отверстие основания.

Расположите кронштейн тисков, исходя из толщины и формы обрабатываемой детали, и закрепите кронштейн тисков, затянув винт. Если зажимной винт соприкасается с кареткой, расположите ее на другой стороне кронштейна тисков. Убедитесь в том, что никакая часть инструмента не соприкасается с тисками при полном опускании рукоятки. Если какая-либо часть касается тисков, отрегулируйте положение тисков.

Прижмите обрабатываемую деталь к направляющей линейке и поворотному основанию. Расположите обрабатываемую деталь в необходимом для распиливания положении и надежно закрепите ее, затянув ручку тисков.

ПРИМЕЧАНИЕ: Для облегчения быстрой установки детали поверните ручку тисков на 90° против часовой стрелки, чтобы ручка могла двигаться вниз и вверх. Чтобы зафиксировать деталь после установки, поверните ручку тисков по часовой стрелке.

Горизонтальные тиски

Дополнительные принадлежности

⚠ ОСТОРОЖНО: Обязательно поворачивайте гайку тисков по часовой стрелке до полной фиксации детали. Если деталь не прижата должным образом, материал может сместиться во время резания и повредить диск. В этом случае возможен разлет осколков и потеря контроля над инструментом, что может стать причиной тяжелых травм.

⚠ ОСТОРОЖНО: При обработке тонких деталей (таких как плинтус) вплотную к ограждению обязательно используйте горизонтальные тиски.

Горизонтальные тиски можно установить либо справа, либо слева от основания. При выполнении распилов с углом 22,5° и более установите горизонтальные тиски на сторону, противоположную направлению поворота поворотного основания.

- **Рис.45:** 1. Пластина тисков 2. Гайка тисков 3. Головка тисков

Для того чтобы расфиксировать тиски с целью быстрой их подачи вперед или назад, поверните гайку тисков по часовой стрелке. Чтобы взяться за деталь, нажмите на ручку тисков вперед, чтобы пластина тисков коснулась детали, и поверните гайку тисков по часовой стрелке. Затем поверните ручку тисков по часовой стрелке, чтобы зафиксировать деталь.

ПРИМЕЧАНИЕ: Максимальная ширина обрабатываемой детали, которую можно закрепить с помощью горизонтальных тисков, составляет 228 мм.

Держатели

⚠ ОСТОРОЖНО: Обязательно поддерживайте длинные детали, чтобы они находились на одном уровне с верхней поверхностью поворотного основания. Это обеспечит точный разрез и предотвратит опасность потери контроля над инструментом. Надлежащая опора детали поможет предотвратить защемление диска и возможную отдачу, которая может привести к тяжелым травмам.

Для горизонтальной фиксации длинных деталей на обеих сторонах инструмента предусмотрены длинные держатели. Ослабьте винты и удлините держатели на необходимое расстояние для удерживания детали. Затем затяните винты.

- **Рис.46:** 1. Держатель 2. Винт

ЭКСПЛУАТАЦИЯ

⚠ОСТОРОЖНО: Перед включением выключателя убедитесь, что диск не касается детали. Включение инструмента, когда диск касается детали, может привести к возникновению отдачи и тяжелым травмам.

⚠ОСТОРОЖНО: После завершения распиливания не поднимайте диск до тех пор, пока он не остановится полностью. Поднятие вращающегося диска может привести к тяжелым травмам и повреждению детали.

⚠ОСТОРОЖНО: Не выполняйте регулировку: не поворачивайте рукоятку, круглую ручку и рычаги инструмента при вращающемся диске. Выполнение регулировки при вращающемся диске может привести к серьезным травмам.

ПРИМЕЧАНИЕ: Перед использованием убедитесь, что стопорный штифт разблокирован, и освободите рукоятку из нижнего положения.

ПРИМЕЧАНИЕ: Не оказывайте чрезмерное давление на рукоятку при распиливании. Избыточное усилие может привести к перегрузке двигателя и/или снижению эффективности резки. Нажимайте на рукоятку только с тем усилием, которое необходимо для плавной резки и без значительного снижения скорости диска.

ПРИМЕЧАНИЕ: Осторожно надавите на рукоятку для выполнения распиливания. Если нажать на рукоятку с усилием или приложить боковое усилие, диск будет вибрировать и оставит след (след пилы) на обрабатываемой детали, что может привести к снижению точности распила.

ПРИМЕЧАНИЕ: При выполнении скользящего распила осторожно давите на каретку в сторону направляющей линейки без остановки. Если остановить движение каретки во время резки, на обрабатываемой детали останется след, а точность резки будет снижена.

Резка с нажимом

⚠ОСТОРОЖНО: Всегда блокируйте скользящую каретку при выполнении резки с нажимом. Резка при отсутствии блокировки может вызвать отдачу и привести к тяжелым травмам.

Детали высотой 68 мм и шириной 160 мм можно распилить следующим образом.

► **Рис.47:** 1. Стопорный штифт

1. Давите на каретку в сторону направляющей линейки, пока она не остановится, и блокируйте ее с помощью стопорного штифта.
2. Закрепите деталь в тисках соответствующего типа.

3. Включите инструмент - при этом режущий диск не должен соприкасаться с обрабатываемой деталью - и перед тем, как опустить диск, дождитесь пока он не наберет максимальные обороты.

4. Затем плавно опустите ручку в крайнее нижнее положение, чтобы распилить обрабатываемую деталь.

5. По завершении распиливания выключите инструмент и дождитесь полного останова режущего диска перед тем, как перевести его в крайнее верхнее положение.

Скользкий распил (с проталкиванием) (распил широких деталей)

⚠ОСТОРОЖНО: При выполнении распиливания сначала полностью переместите каретку к себе и нажмите рукоятку вниз до упора, затем сдвиньте каретку к направляющей линейке. Не начинайте распиливание, пока каретка не сдвинута полностью в сторону оператора. В противном случае возможна неожиданная отдача и получение тяжелых травм.

⚠ОСТОРОЖНО: Не пытайтесь выполнять распиливание, двигая каретку на себя. В этом случае возможна неожиданная отдача и получение тяжелых травм.

⚠ОСТОРОЖНО: Запрещается выполнять распил, если рукоятка зафиксирована в нижнем положении.

► **Рис.48:** 1. Стопорный штифт

1. Ослабьте стопорный штифт, чтобы обеспечить свободное перемещение каретки.
2. Закрепите деталь в тисках соответствующего типа.
3. Подайте каретку полностью на себя.
4. Включите инструмент - при этом режущий диск не должен соприкасаться с обрабатываемой деталью - и дождитесь пока он не наберет максимальные обороты.
5. Нажмите на ручку вниз и подайте каретку к направляющей линейке через обрабатываемую деталь.
6. По завершении распиливания выключите инструмент и дождитесь полного останова режущего диска перед тем, как перевести его в крайнее верхнее положение.

Резка под углом

См. раздел "Регулировка угла резки" выше.

Резка со скосом

⚠ ОСТОРОЖНО: После настройки диска для резки со скосом убедитесь, что каретка и диск смогут свободно перемещаться по всей длине предполагаемого разреза, прежде чем приступить к работе с инструментом. Помехи при движении каретки или диска во время распиливания могут привести к возникновению отдачи и тяжелым травмам.

⚠ ОСТОРОЖНО: При снятии фаски руки оператора не должны находиться на траектории движения диска. Наклон диска может ввести в заблуждение относительно фактической траектории диска во время резания, и контакт с диском приведет к тяжелым травмам.

⚠ ОСТОРОЖНО: Диск нельзя поднимать до его полного останова. Во время снятия фаски отрезанные части могут попасть под диск. Если поднят вращающийся диск, отрезанная часть детали может быть выброшена с высокой скоростью, материал может разрушиться и причинить тяжелые травмы.

ПРИМЕЧАНИЕ: При нажатии на рукоятку прилагайте давление параллельно диску. Если прилагать усилие перпендикулярно поворотному основанию или изменить направление давления во время резки, это приведет к снижению точности.

► Рис.49

1. Снимите верхнее ограждение на той стороне, на которую производится наклон каретки.
2. Ослабьте стопорный штифт.
3. Отрегулируйте угол скоса в соответствии с процедурой, изложенной в разделе "Регулировка угла скоса". Затем затяните круглую ручку.
4. Надежно закрепите обрабатываемую деталь в тисках.
5. Подайте каретку полностью на себя.
6. Включите инструмент - при этом режущий диск не должен соприкасаться с обрабатываемой деталью - и дождитесь пока он не наберет максимальные обороты.
7. Затем осторожно опустите рукоятку в нижнее положение, прилагая давление параллельно диску, и переместите каретку к направляющей линейке для распила обрабатываемой детали.
8. По завершении распиливания выключите инструмент и дождитесь полного останова режущего диска перед тем, как перевести его в крайнее верхнее положение.

Сложная резка

Сложная резка представляет собой процесс, при котором резка со скосом применяется одновременно с резкой под углом. Сложную резку можно выполнять под углами, указанными в таблице.

| Угол резки | Угол скоса |
|-------------------------|-------------------------|
| Влево и вправо 0° — 45° | Влево и вправо 0° — 45° |

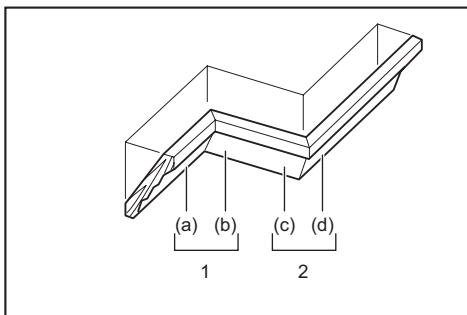
При выполнении сложной резки см. объяснения в разделах "Резка с нажимом", "Скользкий распил (с проталкиванием)", "Резка под углом" и "Резка со скосом"

Обработка поясков и погонажа с закругленным углублением

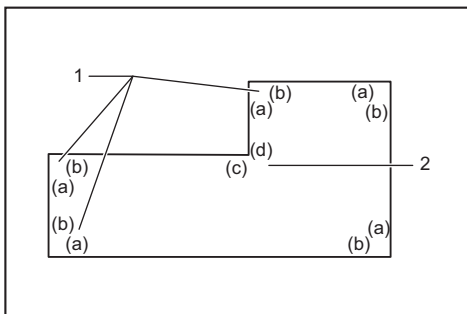
Пояски и погонаж с закругленным углублением можно распиливать на пиле для сложной угловой резки. Для этого детали укладываются плашмя на поворотное основание. Существуют два основных типа поясков и один тип погонажа с закругленным углублением: пояски со стеновым углом 52/38°, пояски со стеновым углом 45° и погонаж со стеновым углом 45°.

- Рис.50:
1. Поясок со стеновым углом 52/38°
 2. Поясок со стеновым углом 45°
 3. Погонаж со стеновым углом 45°

Имеются стыковые детали для поясков и погонажа с закругленным углублением для следующих типов углов: "внутренние" углы 90° ((a) и (b) на рисунке) и "внешние" углы 90° ((c) и (d) на рисунке).



1. Внутренний угол 2. Наружный угол



1. Внутренний угол 2. Наружный угол

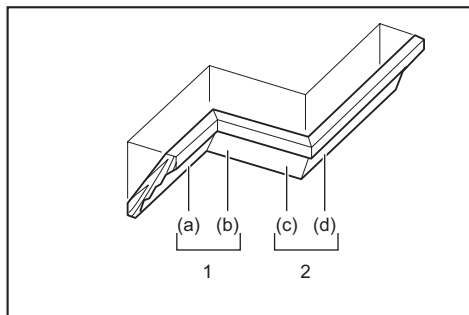
Измерение

Измерьте ширину стены и отрегулируйте ширину обрабатываемой детали соответствующим образом. Обязательно убедитесь, что ширина края детали, контактирующего со стеной, совпадает с длиной стены.

- Рис.51:
1. Обрабатываемая деталь
 3. Ширина обрабатываемой детали
 4. Край детали, контактирующий со стеной

Обязательно используйте несколько заготовок для пробных срезов, чтобы проверить угол установки пилы. При обрезке поясков и погонажа с закругленным углублением устанавливайте угол фаски и угол отрезки как показано в таблице (A) и устанавливайте детали на верхнюю поверхность основания пилы как указано в таблице (B).

В случае снятия левой фаски



1. Внутренний угол 2. Наружный угол

Таблица (А)

| – | Положение пояска на рисунке | Угол скоса | | Угол резки | |
|----------------------|-----------------------------|-------------|-----------|--------------|--------------|
| | | Тип 52/38° | Тип 45° | Тип 52/38° | Тип 45° |
| Для внутреннего угла | (a) | Левый 33,9° | Левый 30° | Правый 31,6° | Правый 35,3° |
| | (b) | | | Левый 31,6° | Левый 35,3° |
| Для наружного угла | (c) | | | Правый 31,6° | Правый 35,3° |
| | (d) | | | | |

Таблица (В)

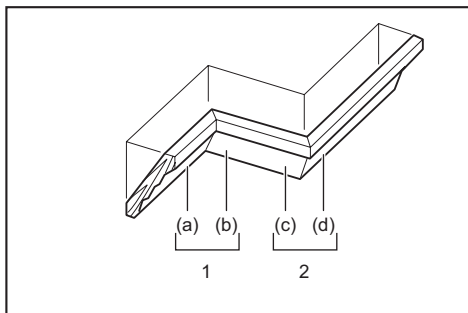
| – | Положение пояска на рисунке | Край пояска у ограждения направляющей | Готовая деталь |
|----------------------|-----------------------------|---|---|
| Для внутреннего угла | (a) | Край, касающийся потолка, должен находиться рядом с ограждением направляющей. | Готовая деталь будет находиться с левой стороны от ножа. |
| | (b) | Край, касающийся стены, должен находиться рядом с ограждением направляющей. | |
| Для наружного угла | (c) | Край, касающийся потолка, должен находиться рядом с ограждением направляющей. | Готовая деталь будет находиться с правой стороны от ножа. |
| | (d) | Край, касающийся стены, должен находиться рядом с ограждением направляющей. | |

Пример:

В случае отрезания пояска типа 52/38° для положения (а) на рисунке выше:

- Наклоните и зафиксируйте угол фаски 33,9° ЛЕВ.
- Отрегулируйте и зафиксируйте угол отрезки 31,6° ПРАВ.
- Положите поясок широкой стороной (обратной) на поворотное основание так, чтобы КРАЙ, КОНТАКТИРУЮЩИЙ С ПОТОЛКОМ, был прижат к направляющей линейке на пиле.
- После обрезки готовая деталь будет всегда находиться с ЛЕВОЙ стороны от диска пилы.

В случае резки со скосом вправо



1. Внутренний угол 2. Наружный угол

Таблица (А)

| – | Положение пояска на рисунке | Угол скоса | | Угол резки | |
|----------------------|-----------------------------|--------------|------------|--------------|--------------|
| | | Тип 52/38° | Тип 45° | Тип 52/38° | Тип 45° |
| Для внутреннего угла | (a) | Правый 33,9° | Правый 30° | Правый 31,6° | Правый 35,3° |
| | (b) | | | Левый 31,6° | Левый 35,3° |
| Для наружного угла | (c) | | | Правый 31,6° | Правый 35,3° |
| | (d) | | | | |

Таблица (B)

| – | Положение пояска на рисунке | Край пояска у ограждения направляющей | Готовая деталь |
|----------------------|-----------------------------|---|---|
| Для внутреннего угла | (a) | Край, касающийся стены, должен находиться рядом с ограждением направляющей. | Готовая деталь будет находиться с правой стороны от ножа. |
| | (b) | Край, касающийся потолка, должен находиться рядом с ограждением направляющей. | |
| Для наружного угла | (c) | Край, касающийся стены, должен находиться рядом с ограждением направляющей. | Готовая деталь будет находиться с левой стороны от ножа. |
| | (d) | Край, касающийся стены, должен находиться рядом с ограждением направляющей. | |

Пример:

В случае отрезания пояска типа 52/38° для положения (a) на рисунке выше:

- Наклоните и зафиксируйте угол фаски 33,9° ПРАВЫЙ.
- Отрегулируйте и зафиксируйте угол отрезки 31,6° ПРАВ.
- Положите поясок широкой стороной (обратной) на поворотное основание так, чтобы КРАЙ, КОНТАКТИРУЮЩИЙ СО СТЕНОЙ, был прижат к направляющей линейке на пиле.
- После обрезки готовая деталь будет всегда находиться с ПРАВОЙ стороны от диска пилы.

Ограничитель пояска

Дополнительные принадлежности

Ограничители пояска облегчают отрезание поясков без наклона диска пилы. Устанавливайте их на поворотное основание, как показано на рисунках.

Правый угол отрезки 45°

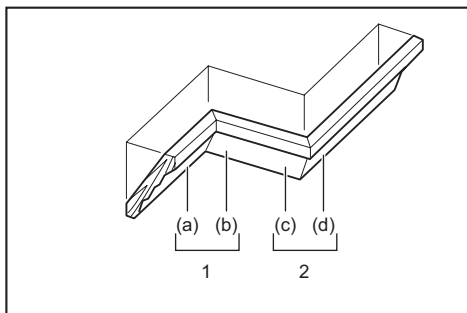
- **Рис.52:** 1. Ограничитель пояска Л 2. Ограничитель пояска П 3. Поворотное основание 4. Направляющая линейка

Левый угол отрезки 45°

- **Рис.53:** 1. Ограничитель пояска Л 2. Ограничитель пояска П 3. Поворотное основание 4. Направляющая линейка

Расположите поясок так, чтобы КРАЙ, КОНТАКТИРУЮЩИЙ СО СТЕНОЙ, упирался в ограждение направляющей, а КРАЙ, КОНТАКТИРУЮЩИЙ С ПОТОЛКОМ - в ограничители, как показано на рисунке. Отрегулируйте положение ограничителей пояска в соответствии с его размером. Затяните винты крепления ограничителей пояска. О настройке угла отрезки см. в таблице (C).

- **Рис.54:** 1. Направляющая линейка
2. Ограничитель пояска



1. Внутренний угол 2. Наружный угол

Таблица (C)

| – | Положение пояска на рисунке | Угол резки | Готовая деталь |
|----------------------|-----------------------------|------------|-------------------------------|
| Для внутреннего угла | (a) | Правый 45° | Сохранять правую сторону ножа |
| | (b) | Левый 45° | Сохранять левую сторону ножа |
| Для наружного угла | (c) | Правый 45° | Сохранять правую сторону ножа |
| | (d) | Правый 45° | Сохранять левую сторону ножа |

Резка алюминиевого профиля

- **Рис.55:** 1. Тиски 2. Распорный блок 3. Направляющая линейка 4. Алюминиевый профиль 5. Распорный блок

При креплении алюминиевого профиля используйте распорные блоки или детали металлолома, как показано на рисунке, чтобы предотвратить деформацию алюминия. При резке алюминиевого профиля используйте смазочное вещество для резки, чтобы предотвратить накопление алюминиевого материала на диске.

⚠ОСТОРОЖНО: Никогда не пытайтесь резать толстый или круглый алюминиевый профиль. Толстые или круглые алюминиевые детали трудно закрепить, во время резания они могут сорваться, вызвать потерю контроля над инструментом и причинить тяжелые травмы.

Резка пазов

⚠ ОСТОРОЖНО: Не пытайтесь выполнять такую резку при помощи более широкого диска или диска для выборки пазов. Попытка сделать надрез с помощью широкого диска или диска для выборки пазов может привести к неожиданным результатам и возникновению отдачи, которые могут стать причиной тяжелых травм.

⚠ ОСТОРОЖНО: Обязательно возвращайте ограничительный рычаг в исходное положение, если выполняете какой-либо разрез кроме выборки паза. Попытка резки с ограничительным рычагом в неправильном положении может привести к неожиданным результатам и возникновению отдачи, которые могут стать причиной тяжелых травм.

Для вырезания соединительного прямоугольного паза выполните следующие действия:

1. Отрегулируйте нижнее предельное положение диска с помощью регулировочного винта и стопорного рычага, чтобы ограничить глубину резки диска. См. раздел "Стопорный рычаг" выше.
 2. После регулировки нижнего предельного положения диска вырежьте параллельные пазы по всей ширине обрабатываемой детали с помощью скользящего (с нажимом) разреза.
- Рис.56: 1. Вырежьте пазы лезвием
3. Удалите материал из обрабатываемой детали между пазами с помощью стамески.

Переноска инструмента

Перед перемещением извлеките аккумуляторы и все движущиеся части торцовочной пилы. Всегда проверяйте следующие параметры:

- Аккумуляторы сняты.
- Угол скоса каретки составляет 0°, каретка зафиксирована.
- Каретка зафиксирована в нижнем положении.
- Каретка полностью опущена до направляющей линейки и зафиксирована.
- Поворотное основание зафиксировано под прямым углом резки.
- Держатели сложены и зафиксированы.

Переносите инструмент, держась за обе стороны основания инструмента, как показано на рисунке.

► Рис.57

⚠ ОСТОРОЖНО: Стопорный штифт для подъема каретки предназначен исключительно для переноски и хранения, а не для распиливания. Использование стопорного штифта для распиливания может вызвать неожиданное перемещение пильного диска, что приведет к отдаче и тяжелым травмам.

⚠ ВНИМАНИЕ: Перед переноской инструмента обязательно закрепите все подвижные части. Если во время переноски какие-либо компоненты инструмента движутся или скользят, можно потерять контроль над инструментом и получить тяжелую травму.

ФУНКЦИЯ БЕСПРОВОДНОЙ АКТИВАЦИИ

Только для DLS111

Что позволяет делать функция беспроводной активации

Функция беспроводной активации обеспечивает беспрепятственную и удобную работу. Подключив к инструменту поддерживаемый пылесос, можно его автоматически запускать, используя переключатель инструмента.

► Рис.58

Чтобы использовать функцию беспроводной активации, подготовьте следующие компоненты:

- Беспроводной блок
- Пылесос, который поддерживает функцию беспроводной активации

Обзор настройки функции беспроводной активации выглядит следующим образом. Подробные процедуры см. в каждом разделе.

1. Установка беспроводного блока
2. Регистрация инструмента для пылесоса
3. Запуск функции беспроводной активации

Установка беспроводного блока

⚠ ВНИМАНИЕ: При установке беспроводного блока поместите инструмент на ровную и устойчивую поверхность.

ПРИМЕЧАНИЕ: Перед началом установки беспроводного блока очистите пыль и грязь на инструменте. Если пыль или грязь попадет в гнездо беспроводного блока, это может привести к неисправности.

ПРИМЕЧАНИЕ: Во избежание сбоев, вызванных статическим электричеством, прежде чем поднимать беспроводной блок, прикоснитесь к материалу, позволяющему снять статический разряд, например, к металлической части инструмента.

ПРИМЕЧАНИЕ: При установке беспроводного блока всегда следите за тем, чтобы беспроводной блок был вставлен в правильном направлении, и крышка была полностью закрыта.

1. Откройте крышку на инструменте, как показано на рисунке.

► Рис.59: 1. Крышка

2. Вставьте беспроводной блок в гнездо и закройте крышку.

При вставке беспроводного блока выровняйте выступы с углубленными участками в гнезде.

► Рис.60: 1. Беспроводной блок 2. Защита 3. Крышка 4. Углубленный участок

При извлечении беспроводного блока медленно откройте крышку. Если потянуть крышку, то крючки на обратной стороне крышки поднимут беспроводной блок.

- **Рис.61:** 1. Беспроводной блок 2. Крючок
3. Крышка

После извлечения беспроводного блока поместите его в поставляемый футляр или в контейнер без статического электричества.

ПРИМЕЧАНИЕ: Для снятия беспроводного блока обязательно используйте крючки на обратной стороне крышки. Если крючки не захватывают беспроводной блок, полностью закройте крышку и снова медленно откройте ее.

Регистрация инструмента для пылесоса

ПРИМЕЧАНИЕ: Для регистрации инструмента необходим пылесос Makita, поддерживающий функцию беспроводной активации.

ПРИМЕЧАНИЕ: Перед началом регистрации инструмента завершите установку беспроводного блока в инструмент.

ПРИМЕЧАНИЕ: Во время регистрации инструмента не тяните за триггерный переключатель и не включайте выключатель питания на пылесосе.

ПРИМЕЧАНИЕ: См. также руководство по эксплуатации пылесоса.

Если необходимо активировать пылесос одновременно с переключением инструмента, сначала завершите регистрацию инструмента.

1. Установите аккумулятор в пылесос и инструмент.
2. Установите выключатель режима ожидания на пылесосе в положение «АУТО» (автоматический).
► **Рис.62:** 1. Выключатель режима ожидания
3. Нажмите и удерживайте кнопку беспроводной активации на пылесосе в течение 3 секунд, пока лампа беспроводной активации не замигает зеленым цветом. Затем таким же образом нажмите кнопку беспроводной активации на инструменте.
► **Рис.63:** 1. Кнопка беспроводной активации
2. Лампа беспроводной активации

Если пылесос и инструмент надежно соединены друг с другом, то лампы беспроводной активации будут гореть зеленым светом в течение 2 секунд, затем начнут мигать синим цветом.

ПРИМЕЧАНИЕ: Через 20 секунд лампы беспроводной активации связи закончат мигать зеленым цветом. Если на пылесосе мигает лампа беспроводной активации, нажмите кнопку беспроводной активации на инструменте. Если лампа беспроводной активации не мигает зеленым цветом, нажмите кнопку беспроводной активации на короткое время, а затем снова удерживайте ее.

ПРИМЕЧАНИЕ: При выполнении двух или более регистраций инструмента для одного пылесоса завершите регистрацию инструмента одну за другой.

Запуск функции беспроводной активации

ПРИМЕЧАНИЕ: Перед беспроводной активацией завершите регистрацию инструмента для пылесоса.

ПРИМЕЧАНИЕ: См. также руководство по эксплуатации пылесоса.

После регистрации инструмента для пылесоса можно использовать переключатель инструмента для автоматического запуска пылесоса.

1. Установите беспроводной блок в инструмент.
2. Подсоедините шланг пылесоса к инструменту.
► **Рис.64**

3. Установите выключатель режима ожидания на пылесосе в положение «АУТО» (автоматический).

► **Рис.65:** 1. Выключатель режима ожидания

4. На короткое время нажмите кнопку беспроводной активации на инструменте. Лампа беспроводной активации мигает синим цветом.

► **Рис.66:** 1. Кнопка беспроводной активации
2. Лампа беспроводной активации

5. Потяните триггерный переключатель инструмента. Проверьте, работает ли пылесос при нажатии триггерного переключателя.

Чтобы остановить беспроводную активацию пылесоса, нажмите кнопку беспроводной активации на инструменте.

ПРИМЕЧАНИЕ: Если в течение 2 часов не будет выполняться никаких действий, то лампа беспроводной активации на инструменте перестанет мигать синим цветом. В этом случае установите выключатель режима ожидания на пылесосе в положение «АУТО» и снова нажмите кнопку беспроводной активации на инструменте.

ПРИМЕЧАНИЕ: Пылесос запускается/останавливается с задержкой. Когда пылесос обнаруживает переключение выключателя инструмента, возникает временная задержка.
















ПРИМЕЧАНИЕ: Дальность передачи беспроводного блока может варьироваться в зависимости от местоположения и окружающих предметов.

ПРИМЕЧАНИЕ: Если на одном пылесосе зарегистрировано два или несколько инструментов, пылесос может начать работать, даже если триггерный переключатель не нажат, поскольку другой пользователь использует функцию беспроводной активации.

Описание статуса лампы беспроводной активации

► Рис.67: 1. Лампа беспроводной активации

Лампа беспроводной активации отображает состояние функции беспроводной активации. Значения состояния лампы см. в таблице ниже.

| Состояние | Лампа беспроводной активации | | | | Описание |
|--------------------------------|------------------------------|---|--|---------------------------|---|
| | Цвет |  Вкл |  Мигает | Продолжительность | |
| Ожидание | Синий |  |  | 2 часа | Доступна беспроводная активация пылесоса. Если в течение 2 часов не будет выполняться никаких операций, лампа автоматически выключится. |
| | |  |  | Пока инструмент работает. | Доступна беспроводная активация пылесоса, инструмент работает. |
| Регистрация инструмента | Зеленая |  |  | 20 секунд | Готовность к регистрации инструмента. Ожидание регистрации пылесосом. |
| | |  |  | 2 секунды | Регистрация инструмента завершена. Лампа беспроводной активации начнет мигать синим цветом. |
| Отмена регистрации инструмента | Красная |  |  | 20 секунд | Готовность к отмене регистрации инструмента. Ожидание отмены пылесосом. |
| | |  |  | 2 секунды | Отмена регистрации инструмента завершена. Лампа беспроводной активации начнет мигать синим цветом. |
| Прочие | Красная |  |  | 3 секунд | На беспроводной блок подается питание, и запускается функция беспроводной активации. |
| | Выкл | - | - | - | Беспроводная активация пылесоса прекращается. |

Отмена регистрации инструмента для пылесоса

При отмене регистрации инструмента для пылесоса выполните следующую процедуру.

1. Установите аккумулятор в пылесос и инструмент.
2. Установите выключатель режима ожидания на пылесосе в положение «АУТО» (автоматический).

► Рис.68: 1. Выключатель режима ожидания

3. Нажмите и удерживайте кнопку беспроводной активации на пылесосе в течение 6 секунд. Лампа беспроводной активации мигает зеленым, а затем переключается на красный цвет. После этого нажмите кнопку беспроводной активации на инструменте таким же образом.

- Рис.69: 1. Кнопка беспроводной активации
2. Лампа беспроводной активации

Если отмена выполнена успешно, лампы беспроводной активации загорятся красным цветом на 2 секунды и начнут мигать синим цветом.

ПРИМЕЧАНИЕ: По истечении 20 секунд лампы беспроводной активации прекращают мигать красным цветом. Если на пылесосе мигает лампа беспроводной активации, нажмите кнопку беспроводной активации на инструменте. Если лампа беспроводной активации не мигает красным цветом, нажмите кнопку беспроводной активации на короткое время, а затем снова удерживайте ее.

Поиск и устранение неисправностей для функции беспроводной активации

Прежде чем обращаться по поводу ремонта, проведите осмотр самостоятельно. Если обнаружена неисправность, не указанная в руководстве, не пытайтесь разобрать инструмент. Обратитесь в один из авторизованных сервисных центров Makita, в которых для ремонта всегда используются оригинальные детали Makita.

| Состояние неисправности | Возможная причина (неисправности) | Способ устранения |
|--|--|---|
| Лампа беспроводной активации не горит/мигает. | Беспроводной блок не установлен в инструмент. Беспроводной блок неправильно установлен в инструмент. | Правильно установите беспроводной блок. |
| | Грязь на клемме беспроводного блока и/или гнезда. | Аккуратно вытрите пыль и грязь на клемме беспроводного блока и очистите гнездо. |
| | Не нажата кнопка беспроводной активации на инструменте. | На короткое время нажмите кнопку беспроводной активации на инструменте. |
| | Выключатель режима ожидания на пылесосе не установлен в положение «АUTO» (автоматический). | Установите выключатель режима ожидания на пылесосе в положение «АUTO» (автоматический). |
| | Отсутствует электропитание | Подайте питание на инструмент и пылесос. |
| Не удается успешно завершить регистрацию/отмену регистрации инструмента. | Беспроводной блок не установлен в инструмент. Беспроводной блок неправильно установлен в инструмент. | Правильно установите беспроводной блок. |
| | Грязь на клемме беспроводного блока и/или гнезда. | Аккуратно вытрите пыль и грязь на клемме беспроводного блока и очистите гнездо. |
| | Выключатель режима ожидания на пылесосе не установлен в положение «АUTO» (автоматический). | Установите выключатель режима ожидания на пылесосе в положение «АUTO» (автоматический). |
| | Отсутствует электропитание | Подайте питание на инструмент и пылесос. |
| | Неверная операция | На короткое время нажмите кнопку беспроводной активации и снова выполните процедуру регистрации/отмены. |
| | Большое расстояние между инструментом и пылесосом (вне диапазона передачи). | Расположите инструмент и пылесос ближе друг к другу. Максимальное расстояние передачи составляет приблизительно 10 м, однако оно может изменяться в зависимости от обстоятельств. |
| | Перед завершением регистрации инструмента/отмены; - был вытяннут триггерный переключатель на инструменте или; - нажата кнопка питания на пылесосе. | На короткое время нажмите кнопку беспроводной активации и снова выполните процедуру регистрации/отмены. |
| | Процедура регистрации инструмента для инструмента или пылесоса не завершена. | Одновременно выполните процедуры регистрации инструмента для инструмента и для пылесоса. |
| Радиопомехи от других приборов, которые генерируют радиоволны высокой интенсивности. | Избегайте эксплуатации инструмента и пылесоса рядом с такими приборами, как устройства Wi-Fi и микроволновые печи. | |

| Состояние неисправности | Возможная причина (неисправности) | Способ устранения |
|---|---|---|
| Пылесос не работает при использовании переключателя инструмента. | Беспроводной блок не установлен в инструмент. Беспроводной блок неправильно установлен в инструмент. | Правильно установите беспроводной блок. |
| | Грязь на клемме беспроводного блока и/или гнезда. | Аккуратно вытрите пыль и грязь на клемме беспроводного блока и очистите гнездо. |
| | Не нажата кнопка беспроводной активации на инструменте. | На короткое время нажмите кнопку беспроводной активации и убедитесь в том, что лампа беспроводной активации мигает синим цветом. |
| | Выключатель режима ожидания на пылесосе не установлен в положение «АУТО» (автоматический). | Установите выключатель режима ожидания на пылесосе в положение «АУТО» (автоматический). |
| | В пылесосе зарегистрировано более 10 инструментов. | Выполните повторную регистрацию инструмента. Если в пылесосе зарегистрировано более 10 инструментов, инструмент, зарегистрированный самым первым, будет автоматически отменен. |
| | Пылесос удалил все записи регистрации инструментов. | Выполните повторную регистрацию инструмента. |
| | Отсутствует электропитание | Подайте питание на инструмент и пылесос. |
| | Большое расстояние между инструментом и пылесосом (вне диапазона передачи). | Расположите инструмент и пылесос ближе друг к другу. Максимальное расстояние передачи составляет приблизительно 10 м, однако оно может изменяться в зависимости от обстоятельств. |
| | Радиопомехи от других приборов, которые генерируют радиоволны высокой интенсивности. | Избегайте эксплуатации инструмента и пылесоса рядом с такими приборами, как устройства Wi-Fi и микроволновые печи. |
| Пылесос работает, хотя триггерный переключатель инструмента не был вытянут. | Другие пользователи используют беспроводную активацию пылесоса с помощью своих инструментов. | Отключите кнопку беспроводной активации других инструментов или отмените регистрацию инструмента для других инструментов. |

ОБСЛУЖИВАНИЕ

⚠ ОСТОРОЖНО: Перед проведением проверки или работ по техобслуживанию обязательно убедитесь, что инструмент выключен, а аккумуляторы извлечены. Невыполнение этой инструкции может привести к случайному запуску инструмента и тяжелым травмам.

⚠ ОСТОРОЖНО: Всегда следите за заточкой и чистотой диска для обеспечения максимально эффективной и безопасной работы. Использование тупого или загрязненного диска может привести к возникновению отдачи и тяжелым травмам.

ПРИМЕЧАНИЕ: Запрещается использовать бензин, растворители, спирт и другие подобные жидкости. Это может привести к обесцвечиванию, деформации и трещинам.

Регулировка угла резки

Данный инструмент тщательно отрегулирован и выверен на предприятии-изготовителе, но грубая эксплуатация может нарушить регулировку. Если регулировка вашего инструмента нарушена, выполните следующее:

Угол резки

Полностью опустите рукоятку и зафиксируйте ее в опущенном положении с помощью стопорного штифта. Сдвиньте каретку к направляющей линейке. Ослабьте рукоятку и винты, фиксирующие указатель и шкалу угла резки.

► **Рис.70:** 1. Винт указателя 2. Винты шкалы угла резки 3. Шкала угла резки

Установите поворотное основание в положение 0° с помощью функции неподвижного упора. Установите прямой угол диска по отношению к стороне направляющей линейки с помощью треугольной линейки или угольника. Сохраняя угол, затяните винты шкалы угла резки. После этого выровняйте указатели (правый и левый) в соответствии с положением 0° на шкале угла резки. Затем затяните винт указателя.

► **Рис.71:** 1. Треугольная линейка

Угол скоса

Угол скоса в 0°

Переместите каретку по направлению к направляющей линейке и заблокируйте ее скольжение с помощью стопорного штифта. Полностью опустите рукоятку и зафиксируйте ее в опущенном положении с помощью стопорного штифта, затем ослабьте круглую ручку. Поверните регулировочный болт 0° на два-три оборота против часовой стрелки, чтобы наклонить диск направо.

► **Рис.72:** 1. Регулировочный болт 0° 2. Винт

Тщательно установите прямой угол диска по отношению к верхней поверхности поворотного основания с помощью треугольной линейки, угольника и т.д., повернув болт регулировки 0° по часовой стрелке. Затем затяните круглую ручку, чтобы зафиксировать установленный угол 0°.

► **Рис.73:** 1. Треугольная линейка 2. Пильный диск 3. Верхняя поверхность поворотного основания

Еще раз убедитесь, что сторона диска выровнена по отношению к поверхности поворотного основания. Ослабьте винт на указателе. Совместите указатель с положением 0° на шкале скоса и затяните винт.

Угол скоса в 45°

ПРИМЕЧАНИЕ: Перед регулировкой угла скоса 45° завершите регулировку угла скоса 0°.

Ослабьте круглую ручку и полностью наклоните каретку на сторону, которую необходимо проверить. Убедитесь, что указатель определяет значение 45° на шкале угла скоса.

► **Рис.74**

Если указатель не определяет значение 45°, переведите его в положение 45°, повернув регулировочный болт на другой стороне шкалы угла скоса.

► **Рис.75:** 1. Регулировочный болт влево на 45° 2. Регулировочный болт вправо на 45°

Регулировка положения лазерной линии

Только для DLS111, DLS112

⚠ ОСТОРОЖНО: При регулировке лазерной линии аккумуляторы должны быть установлены. Ни в коем случае не включайте инструмент во время регулировки. Случайное включение инструмента может привести к тяжелым травмам.

⚠ ВНИМАНИЕ: Запрещается смотреть непосредственно в источник лазерной линии. Воздействие лазерного излучения может вызвать серьезное повреждение глаз.

ПРИМЕЧАНИЕ: Регулярно проверяйте точность положения лазерной линии.

ПРИМЕЧАНИЕ: Не ударяйте по инструменту. Это может изменить направление лазерной линии, повредить лазер и сократить срок его службы.

ПРИМЕЧАНИЕ: В случае любых неисправностей лазерного блока отремонтируйте инструмент в официальном сервисном центре Makita.

Диапазон перемещения лазерной линии определяется винтами регулировки диапазона на обеих сторонах. Для изменения положения лазерной линии выполните следующие процедуры.

1. Снимите аккумуляторы.
2. Проведите линию резки на обрабатываемой детали и поместите ее на поворотное основание. На данном этапе не закрепляйте обрабатываемую деталь в тисках или подобном крепежном устройстве.

3. Опустите рукоятку и совместите линию резки с пильным диском.

4. Верните рукоятку в исходное положение и зафиксируйте деталь вертикальными тисками, чтобы она не отклонялась от установленного положения.

5. Установите аккумуляторы и включите переключатель лазера.

6. Ослабьте регулировочный винт. Чтобы переместить лазерную линию от диска, поверните винты регулировки диапазона против часовой стрелки. Чтобы переместить лазерную линию к диску, поверните винт регулировки диапазона по часовой стрелке.

Регулировка положения лазерной линии на левой стороне диска

► **Рис.76:** 1. Регулировочный винт 2. Винт регулировки диапазона 3. Шестигранный ключ 4. Лазерная линия 5. Пильный диск

Регулировка положения лазерной линии на правой стороне диска

► **Рис.77:** 1. Регулировочный винт 2. Винт регулировки диапазона 3. Шестигранный ключ 4. Лазерная линия 5. Пильный диск

7. Переведите регулировочный винт в положение, при котором лазерная линия перемещается к линии резки, и зафиксируйте винт.

ПРИМЕЧАНИЕ: Диапазон перемещения линии лазера настраивается на заводе в пределах 1 мм (0,04дюйма) от боковой поверхности режущего диска.

Очистка линзы лазера

Только для DLS111, DLS112

Если линза лазерной лампы загрязнится, трудно будет увидеть лазерную линию. Периодически очищайте линзу лазерной лампы.

► **Рис.78:** 1. Винт 2. Линза

Снимите аккумуляторы. Ослабьте винт и извлеките линзу. Осторожно очистите линзу влажной мягкой тканью.

ПРИМЕЧАНИЕ: Не снимайте винт, который фиксирует линзу. Если линза не извлекается, еще немного ослабьте винт.

ПРИМЕЧАНИЕ: Не пользуйтесь растворителями или какими-либо очистителями на основе керосина для очистки линзы.

После использования

После использования инструмента сотрите щепу и пыль, прилипшие к инструменту, с помощью ткани или аналогичных средств. Содержите ограждение диска в чистом виде в соответствии с инструкциями в разделе "Ограждение диска". Смазывайте скользящие части машинным маслом для предотвращения коррозии.

Для обеспечения БЕЗОПАСНОСТИ и НАДЕЖНОСТИ оборудования ремонт, любое другое техобслуживание или регулировку необходимо производить в уполномоченных сервис-центрах Makita или сервис-центрах предприятия с использованием только сменных частей производства Makita.

ДОПОЛНИТЕЛЬНЫЕ ПРИНАДЛЕЖНОСТИ

⚠ ОСТОРОЖНО: Данные принадлежности или приспособления рекомендуются для использования с инструментом Makita, указанным в настоящем руководстве. Использование любых других принадлежностей или приспособлений может привести к тяжелым травмам.

⚠ ОСТОРОЖНО: Используйте принадлежности или приспособления Makita только по назначению. Неправильное использование принадлежности или приспособления может привести к тяжелым травмам.

Если вам необходимо содействие в получении дополнительной информации по этим принадлежностям, свяжитесь с вашим сервис-центром Makita.

- Стальные и твердосплавные пильные диски
- Вертикальные тиски
- Горизонтальные тиски
- Комплект ограничителей пояса
- Пылесборный мешок
- Треугольная линейка
- Шестигранный ключ
- Шестигранный ключ (для регулировки лазера)
- Беспроводной блок (для DLS111)
- Оригинальный аккумулятор и зарядное устройство Makita

ПРИМЕЧАНИЕ: Некоторые элементы списка могут входить в комплект инструмента в качестве стандартных приспособлений. Они могут отличаться в зависимости от страны.

Makita Europe N.V. Jan-Baptist Vinkstraat 2,
3070 Kortenberg, Belgium

Makita Corporation 3-11-8, Sumiyoshi-cho,
Anjo, Aichi 446-8502 Japan

www.makita.com

885613-981
EN, SV, NO, FI, LV,
LT, ET, RU
20170615