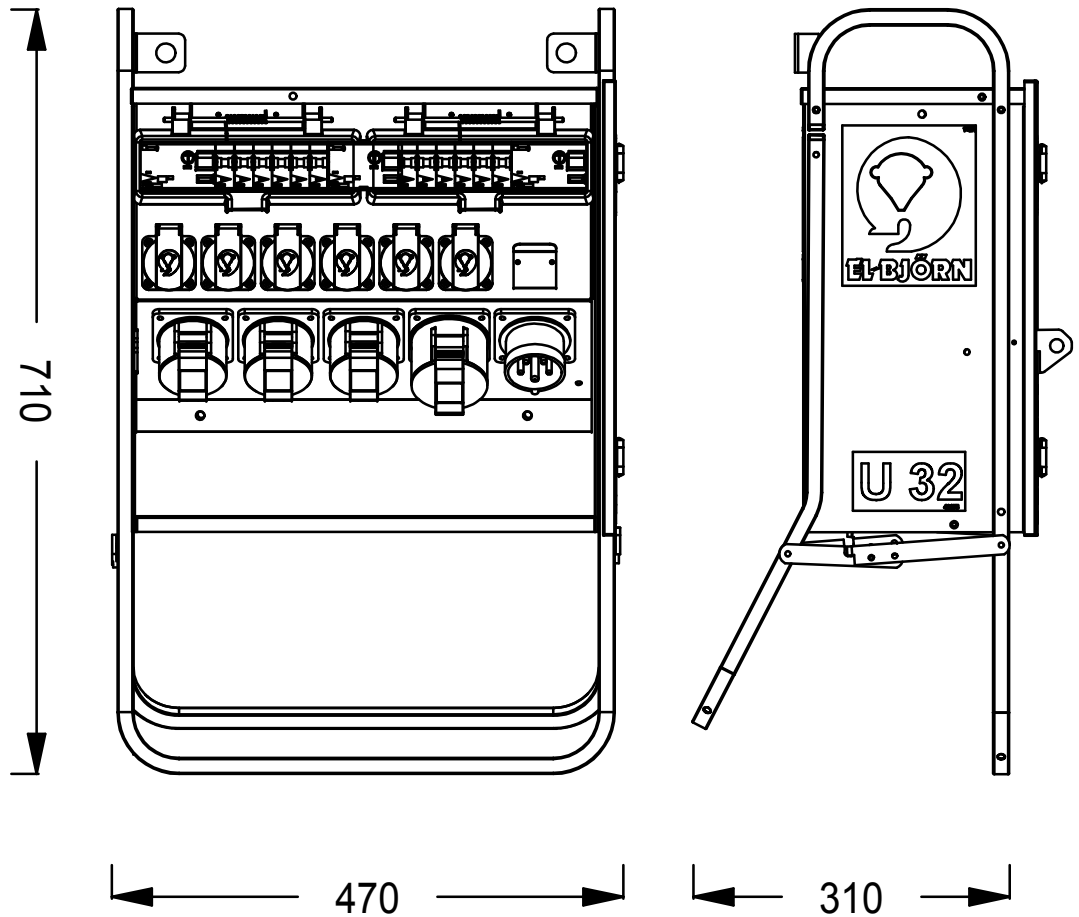


A B C D E F G H J K



ARTIKELNR /  
ARTICLE NO.  
**E2467142**

MÄRKSTRÖM /  
CURRENT RATING  
**32**      **A**

MEASURING  
EQUIPMENT

CURR- TRAF0- SPACE	ENERGY- METER- SPACE
--------------------------	----------------------------

FAST ANSLUTNING /  
FIXED CONNECTIONS

<125A	>125A
-------	-------

CEE-OUTLETS  
3-POLE/230V

16A	32A	63A	125A
-----	-----	-----	------

SCHUKO OUTLETS  
2-POLE/230V  
16A

**6**

CEE-OUTLETS  
5-POLE/400V

16A	32A	63A	125A
-----	-----	-----	------

**3**    **1**

JFB/RCCB

<0,03A	>0,3A	>0,03A & <0,3A
--------	-------	----------------------

**3**

JFB/RCCB  
Variable

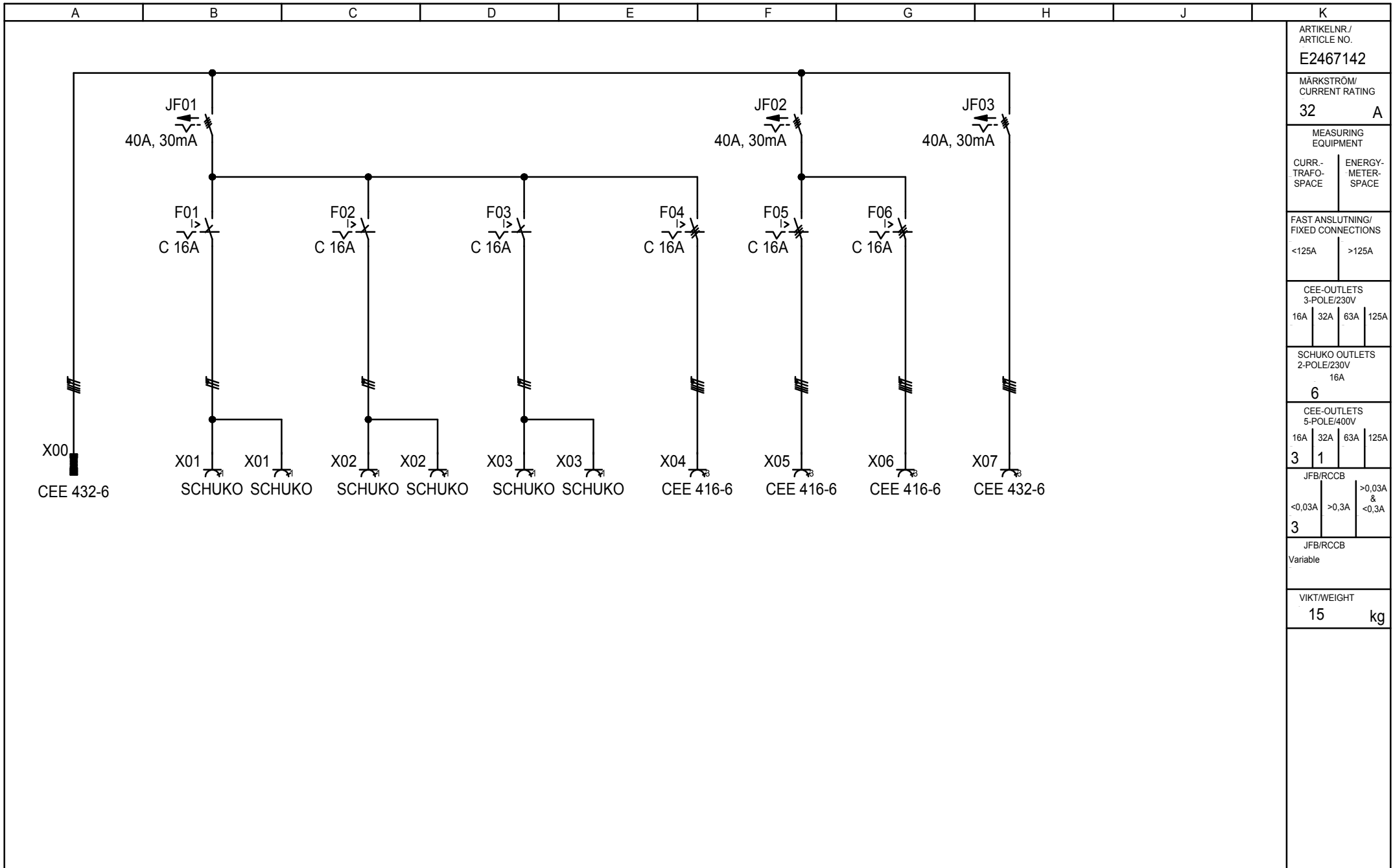
VIKT/WEIGHT  
**15**      **kg**

This drawing is property of El-Björn. May not be copied, shown or distributed without our written permission.

UTTAGSCENTRAL  
U 32//631-3 EN



RITAD AV/DRAWN BY <b>CG</b>	DATUM/DATE <b>130708</b>	NEXT SHEET <b>2</b>	SHEET <b>1</b>
SIGN	REVISION/ISSUE <b>A*</b>	RITINGS NR./DRAWING <b>E2467142</b>	



ARTIKELNR / ARTICLE NO. <b>E2467142</b>	
MÄRKSTRÖM / CURRENT RATING <b>32      A</b>	
MEASURING EQUIPMENT	
CURR- TRAFU- SPACE	ENERGY- METER- SPACE
FAST ANSLUTNING/ FIXED CONNECTIONS <b>&lt;125A      &gt;125A</b>	
CEE-OUTLETS 3-POLE/230V <b>16A    32A    63A    125A</b>	
SCHUKO OUTLETS 2-POLE/230V 16A <b>6</b>	
CEE-OUTLETS 5-POLE/400V <b>16A    32A    63A    125A</b> <b>3    1</b>	
JFB/RCCB <b>&lt;0,03A    &gt;0,3A    &gt;0,03A &amp; &lt;0,3A</b> <b>3</b>	
JFB/RCCB Variable	
VIKT/WEIGHT <b>15      kg</b>	

This drawing is property of El-Björn. May not be copied, shown or distributed without our written permission.

UTTAGSCENTRAL  
U 32//631-3 EN



RITAD AV/DRAWN BY <b>CG</b>	DATUM/DATE <b>130708</b>	NEXT SHEET <b>3</b>	SHEET <b>2</b>
SIGN	REVISION/ISSUE <b>A*</b>	RITNING NR./DRAWING <b>E2467142</b>	

A	B	C	D	E	F	G	H	J	K
PC.	Position	Description	Type	Manufacturer	Data	Article No.	E-number(SE)		ARTIKELNR/ ARTICLE NO. <b>E2467142</b>
1		Kapsling	U 32	El-Björn	470 x 710 x 310	H90863			MÄRKSTRÖM/ CURRENT RATING <b>32</b> <b>A</b>
3	F01-F03	Automatsäkring	PLS6, 6kA, 1P	Eaton	C 16A	242681	2141469		MEASURING EQUIPMENT
3	F04-F06	Automatsäkring	PLS6, 6kA, 3P	Eaton	C 16A	242949	2141509		CURR- TRAFO- SPACE
3	JF01-JF03	Jordfelsbrytare	PFIM, 4-P	Eaton	40A, 30mA	235439	2162237		ENERGY- METER- SPACE
1	X00	Panelintag	432BU6	ABB	32A, 400V, IP44	432BU6	1964033		FAST ANSLUTNING/ FIXED CONNECTIONS
6	X01-X03	Schukouttag	35219, Typ F, Fjåde	Mennekes	16A, 230V, IP54	11000EB			<125A      >125A
3	X04-X06	Paneluttag	416RU6	ABB	16A, 400V, IP44	416RU6	1961483		CEE-OUTLETS 3-POLE/230V 16A   32A   63A   125A
1	X07	Paneluttag	432RU6	ABB	32A, 400V, IP44	432RU6	1961633		SCHUKO OUTLETS 2-POLE/230V 16A <b>6</b>
									CEE-OUTLETS 5-POLE/400V 16A   32A   63A   125A <b>3</b> <b>1</b>
									JFB/RCCB <0,03A   >0,3A   >0,03A &   <0,3A <b>3</b>
									JFB/RCCB Variable
									VIKT/WEIGHT <b>15</b> <b>kg</b>

This drawing is property of El-Björn. May not be copied, shown or distributed without our written permission.

UTTAGSCENTRAL  
U 32//631-3 EN



RITAD AV/DRAWN BY  
**CG**  
SIGN

DATUM/DATE  
**130708**  
REVISION/ISSUE  
**A\***

NEXT SHEET      SHEET  
**3**  
RITNINGS NR./DRAWING  
**E2467142**