

MT 625



COMPACT HANDLING SOLUTIONS



 **MANITOU**

www.manitou.com

MT 625 : simple, efficient and



MANITOU A GLOBAL NETWORK

- **1 400 points of sale...**
present in over **120 countries**
- Over 2 000 specialist technicians
- A spare parts distribution centre of
34 000 m²
- **A unique range of handling solutions**
 - Telescopic handlers
 - Masted forklifts trucks
 - Electrical and diesel aerial access platforms
 - Truck mounted forklifts
 - Industrial and semi industrial forklifts
 - Warehouse equipment...



MT **625**

6 m / 2.5 T

compact



MANITOU YOUR HANDLING PARTNER

From one country to the next, residential, commercial and industrial building sites have become more complex. You now have to work on sites which are becoming ever more confined and meet increasingly strict specifications in terms of cost and deadlines while remaining vigilant with regard to working conditions and the safety of your operators.

A global group

The MANITOU Group, **the global benchmark in handling solutions**, designs, assembles and distributes handling solutions in all sectors of activity: industry, construction and agriculture.

Capitalising on over 50 year's experience, MANITOU is constantly innovating and guarantees quality products and services, always tailored to reflect the development of your activity.

Products that meet your needs

The **MT 625** all-terrain telehandler has **dimensions which are more than compact**. It enables you to carry out all your handling work: placing pallets on the first floor of a building, bulk loading or unloading from storage area or on site. Underground car parks and low headroom buildings on congested sites, you will appreciate all the qualities of this machine.

Your handling partner

More than a compact truck, MANITOU offers **a simple and efficient solution** which will **save you time**: intuitive when you're getting started through the Joystick Switch & Move system (exclusive to MANITOU), startup in only 10 seconds and functional dashboard.

In choosing MANITOU, you can count on a quality forklift. You will also benefit from the full range of services offered by your dealer: customer service, care and maintenance contracts, on-site service visits, bespoke hire and finance solutions.

With MANITOU, you can rest assured that you are working with a specialized, reliable and dedicated partner!



COMPACT MACHINE

MANOEUVRABILITY and optimised DIMENSIONS



OPTIMISED DIMENSIONS

Designed with construction and renovation in mind, the MT 625 has exceptional characteristics in terms of compactness when compared with other telehandlers.

With a **width and height less than 2 m** (1.81 x 1.92 m), the MT 625 moves easily in restricted spaces (in materials storage areas, on urban or confined sites, under low headroom entrances and underground car parks).



Ultra-short turning radius

3.31 m

MANOEUVRABILITY

The manoeuvrability remains your main advantage !

The MT 625 operates in places which would be inaccessible to other handling equipment thanks to the **4 wheel drive and all wheel steering**. One lever selects the various steering modes simply:

- 4-wheel steering for tight turning circles in confined spaces.
- Crab steering for side approaches and awkward clearances.
- 2 front wheel steering for driving on the road

1.81 m x 1.92 m :
(width x height)

more than compact dimensions

33 cm ground clearance,
for all terrain applications



EFFICIENCY AND SIMPLICITY

■ ■ PERFORMANCE and FLEXIBILITY

75 hp engine

Your MT 625 is equipped with a 75 horsepower **KUBOTA engine 4x4. 3.3 l cylinder** that meets the Interim the interim Stage IIIB and Tier 4 final guidelines.



Permanent 4 wheel drive

Two speed hydrostatic transmission

A flexible precise two speed transmission offering smooth gear changes with no torque drop-off via the simple press of a button on the JSM®.



Substantial ground clearance

33 cm

More REACTIVITY and FLEXIBILITY

- The **hydrostatic transmission** provides flexible and progressive control for positioning a load with more accuracy and safety. This system adapts the performance of your machine to the operators requirements.
- Using the **inching function**, you can adjust the speed of travel of the truck independently of the engine speed. Perfect for tricky operations!
- To **adapt your speed to the working conditions and optimise fuel consumption**, a +/- switch on the dashboard allows you to select either on-site speed (7 kph) or road speed (25 kph).

simplified MAINTENANCE

- All the maintenance is simplified : full access to all filters and components
- The large opening of the engine bonnet on the side of the machine provides easy access to the gauges, air filter and diesel filter...



Only 10 seconds to start working:

- No step to access the cab
- Driving seat quick to adjust
- Engine start and intuitive operation using the JSM® control lever



DRIVING COMFORT

COMFORT and ERGONOMICS at work

The whole driving position offers you a working space which has been ergonomically designed for maximum comfort. All the main controls are easily accessible. A selection of standard and optional equipments are available for enhanced comfort and safety of the MT telescopic handlers to satisfy **your daily needs**.

A spacious cab offering you a full visibility

You can work in total safety and optimize your working conditions for greater efficiency and productivity.





Ergonomic dashboard and joystick

The dashboard groups all of the information you need in a logical sequence.

The JSM (Joystick Switch and Move) single lever allows you to operate in complete safety carrying out every movement with one hand:

- speed changing on the JSM,
- raise and lower the boom,
- extend and retract the boom,
- lift and tilt bucket,
- hydraulically move the attachments, and also forward and reverse direction control.

You always keep one hand on the steering wheel to totally control your telescopic handler.

STANDARDS AND OPTIONAL EQUIPMENT	MT 625 H	MT 625 H COMFORT
Driver's compartment		
Full cab with heating/demisting (ROPS/FOPS ¹)	●	●
Air conditioning	-	○
Adjustable seat with waterproof covering	●	●
Cloth-covered adjustable seat	-	○
JSM®	●	●
Adjustable steering column	-	●
Roof light	-	●
Internal rear-view mirror	○	○
Electric rear tailgate de-icing	-	○
Windscreen sun visor kit and roof screen	○	●
Front windscreen wash/wipe - Rear screen wiper	●	●
Roof wiper	-	●
Car radio predisposition	-	●
Car radio tuner or CD/MP3	-	○
Speed changing on the JSM	●	●
Safety items		
Front and rear wheel alignment indicator	●	●
Aggravating movement cut-off	●	●
Lighting: road lighting, brake lights, flashing direction indicators, fog light, reversing light	●	●
Front and rear working light	○	●
Windscreen mesh	○	○
Rear-view mirror	○	○
Others		
Hydraulic service at the boom head	○	●
Hydraulic locking of attachments	○	○

● Standard ○ Option - Not available

Your MANITOU telescopic forklift, a **multi purpose** machine...

Your productivity and safety are linked to your choice of attachments. Developing our machines permit us to find the attachment that will bring you the best efficiency, but still respecting standards. Choosing a MANITOU attachment is the best choice for your MT!



The universal MANITOU attachment system is easy and simple to use. You can attach / detach your accessories without difficulty.

...for a **multitude of applications**

MANITOU attachments for all your on-site needs, optimizing your working time and your forklift's productivity:









MANITOU
FINANCE

Tailor-made finance to **make the best use of your funds**

You can plan the purchase of your forklift with peace of mind by using MANITOU* financing opportunities.

You will have simple solutions adapted to your needs and seasonal requirements. If you want to make a rapid investment, consider asking us for a personalised proposal to take your situation into account.

* MANITOU Finance solutions are available in certain countries.

MANITOU maintenance contract

2 levels of maintenance adapted to your needs.

You are sure of:

- equipment always in good working condition
- a reduction of repair costs as a result of regular servicing
- authentic standardised services

• Main d'oeuvre
• Déplacement



• Main d'oeuvre
• Déplacement
• Pièces et lubrifiants



Extension of warranty



With **MANIPLUS**, you can take out an extension of warranty up to 60 months.

EASY MANAGER

A simple and flexible system for fleet management (with or without geolocation) to provide optimum service from your machines. **EASY MANAGER** gives you:

- real-time materials management
- simple and easy way of managing your machinery activity and maintenance
- maximise your asset and safeguard your equipment



MANITOU spare parts

Utilising genuine MANITOU spare parts is sure to prolong the best performance capability of your machine. Your MANITOU dealer has access to a stock of 70,000 part numbers, available in 24 hours in Europe (48 hours outside Europe).





TOGETHER, LET'S REDUCE OUR CARBON FOOTPRINT

The material handling sector has not yet got a normalised cycle to measure the trucks' energy consumption. MANITOU Group clearly shows its commitment to transparency by establishing an internal protocol, accessible to all, that can reveal its own measures of consumption (l/h) and CO2 emissions (kg/h). To provide the highest reliability, the data is checked and approved by an independent body, UTAC* specialized in the registration of vehicles and equipment.

SUSTAINABLE SOLUTIONS

To be THE material handling reference is to commit to innovate to offer you safe, efficient and sustainable solutions today and tomorrow.

TEST PROTOCOL

Consumption measurements are performed on four representative activities of a telescopic forklift: handling, bulk loading, idle and road work.



TOGETHER

MANITOU Group would like to accompany you in reducing your trucks fuel consumption to help cut back your carbon footprint.



APPROVED PROCEDURES

To validate processes adopted by the Group in terms of fuel consumption, we wanted to validate our procedures via a recognised external body. Testing conducted by MANITOU according to the EP-695 internal procedure validated by



INFORM

We have developed information and awareness tools (product labels, Ipad simulator ...) to inform you about our trucks' fuel consumption and emissions.



Calculate your fuel consumption:
<http://reduce.MANITOU.com>

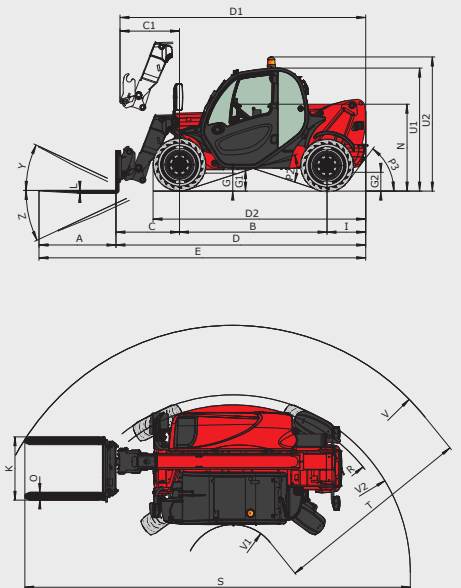


*UTAC: Technical Union for the Automobile, Motorcycle and Cycle Industries performs official duty cycles in the automotive sector. UTAC is the only French Technical Service notified to the European Commission and the UNO for fuel consumption.

MT 625 H	
Lifting	
Max. capacity	2500 kg
Max. lifting height	5.85 m
Break-out force with bucket (ISO 8313)	3427 daN
Unladen time	
Lifting	8.0 secs
Lowering	5.4 secs
Extension	5.6 secs
Retraction	4.3 secs
Crowd	3.5 secs
Dump	3.6 secs
Tyres	12-16.5 12PR SKS CL TUBELESS
Braking	
Service brake	Oil immersed multi-disc braking
Parking brake	Automatic Negative Handbrake
Engine	
Type	KUBOTA STAGE III B / FINAL TIER 4
Cubic capacity	V3307-DI-T-E4B
Power	4 cylinders - 3331 cm ³
Max. torque	75 HP/55.4 kW
Injection	265 Nm
Cooling	direct
Laden drawbar pull	water
	3550 daN
Transmission	
Reversing shift	hydrostatic
Number of gears (forward/reverse)	electro-hydraulic
Max. travel speed (may vary according to applicable regulations)	2/2
Steering mode	25 kph
Controls	
	4 wheel steer - 3 Steering Modes
	JSM® Joystick multi - function
	Load Limiter Cut off system - EN15000 Norm
Hydraulics	
Pump	gear type with priority valve 90 l/min - 235 bar
Capacities	
Cooling system	12 l
Oil engine	11.2 l
Hydraulic oil	115 l
Fuel	63 l
Unladen weight (with forks)	4800 kg
Dimensions	
C. Front wheel centre to carriage	0.99 m
B. Wheelbase	2.30 m
I. Rear wheel centre to rear face	0.60 m
D. Overall length to carriage	3.90 m
G1. Ground clearance	0.33 m
J. Overall width of cab	0.79 m
F. Inside tyre width	1.49 m
W. Overall width	1.81 m
U1. Overall height	1.92 m
Standard forks (length x width x thickness)	1200 x 125 x 45 mm
Turning radius (over tyres)	3.31 m
Noise and vibration	
Noise at driving position (LpA)	76 dB
Environmental noise (LwA)	104 dB
Vibration to whole hand/arm	<2.50 m/s ²

Rough terrain load chart standard EN1459 B

Machine on tyres with forks



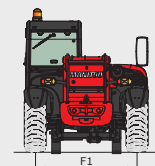
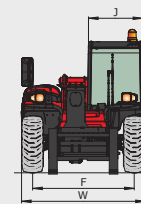
mm	
A	1200
B	2300
C	991
C1	928
D	3894
D1	3831

D2	3275
E	5094
F	1492
F1	1492
G	240
G1	330
G2	253

I	603
J	797
K	1015
L	45
N	1314
O	125
P2	37°

P3	52°
R	3150
S	6651.5
T	3935
U1	1920
U2	2054
V	4700

V1	765
V2	3310.5
W	1813
Y	12°
Z	117°



Your **MANITOU** dealers :



Head office:
B.P. 249 - 430 rue de l'Aubinière - 44158 Ancenis Cedex - France
Tel.: 00 33 (0)2 40 09 10 11 - Fax: 00 33 (0)2 40 83 36 88
www.MANITOU.com



[facebook.com](https://www.facebook.com)