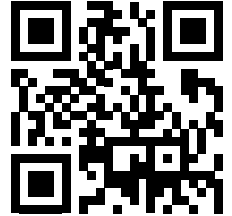




THE MANUAL IS AVAILABLE AT:  
<http://qr.xylemsales.com/mms>



# Grindex MMS

Micro, Mini, Solid, Milli



For safety and correct product usage, read the manual before this product is used.

## 1 Introduction

### 1.1 Purpose of the manual

The purpose of this manual is to give safety information for the product. For full installation, operation, and maintenance instructions, see the referred manuals.

#### Read and keep the manual

Save this manual for future reference, and keep it readily available at the location of the product.



#### CAUTION:

Read this manual carefully before installing and using the product. Improper use of the product can cause personal injury and damage to property, and may void the warranty.

The product must only be used in commercial areas and in the way that is specified by the manufacturer.

With supervision or the correct user instructions, the product can also be used by persons with reduced capabilities, experience, or knowledge.

Children must not use or play with the product.

### 1.2 User safety

#### Introduction

All government regulations, local health and safety directives must be observed.

#### 1.2.1 Power lock-out



#### DANGER: Electrical Hazard

Before starting work on the unit, make sure that the unit and the control panel are isolated from the power supply and cannot be energized. This applies to the control circuit as well.



#### 1.2.2 Qualification of personnel



#### WARNING: Electrical Hazard

Risk of electrical shock or burn. A certified electrician must supervise all electrical work. Comply with all local codes and regulations.

All work on the product must be carried out by certified electricians, or Grindex authorized mechanics.

Grindex disclaims all responsibility for work done by untrained, unauthorized personnel.

### 1.3 Intended use

The pump is submersible, driven by an electric motor and is intended for moving waste water, sludge, raw and clean water.



#### WARNING:

Operating, installing, or maintaining the unit in any way that is not covered in this manual could cause death, serious personal injury, or damage to the equipment and the surroundings. This includes any modification to the equipment or use of parts not provided by Grindex. If there is a question regarding the intended use of the equipment, please contact a Grindex representative before proceeding.

### 1.4 End-of-life product disposal

Handle and dispose of all waste in compliance with local laws and regulations.

#### EU and UK only: Correct disposal of this product — waste electrical and electronic equipment

- EU: Directive 2012/19/EU on waste electrical and electronic equipment (WEEE)
- UK: SI 2013 No. 3113



WES00973B

This marking on the product, accessories or literature indicates that the product should not be disposed of with other waste at the end of its working life.

### 1.5 Warranty

For information about warranty, see the sales contract.

## 2 Operation

### Noise level

#### NOTICE:

The sound power level of the product is lower than 70 dB(A). However, in some installations the resulting sound pressure level may exceed 70 dB(A) at certain operating points on the performance curve. Make sure that you understand the noise level requirements in the environment where the product is installed. Failure to do so may result in hearing loss or violation of local laws.

### 2.1 Precautions

Before taking the product into operation, check the following:



For safety and correct product usage, read the manual before this product is used.

- All recommended safety devices are installed.
- The cable and cable entry have not been damaged.
- All debris and waste material has been removed.
- That there is no leakage of lubricants, that can lead to pollution of the liquid.

**NOTICE:**

Never operate the pump with the discharge line blocked, or the discharge valve closed.



**WARNING: Crush Hazard**

Risk of automatic restart.



**CAUTION: Electrical Hazard**

Prevent cables from becoming sharply bent or damaged.



**DANGER: Crush Hazard**

Moving parts can entangle or crush. Always disconnect and lock out power before servicing to prevent unexpected startup. Failure to do so could result in death or serious injury.



**WARNING:**

Do not operate the unit in an area where explosive gases are present.

## 2.2 Maximum total head

Product	Maximum total head, m (ft)
Micro	11.0 (36.1)
Mini	15.7 (51.5)
Solid	11.9 (39.0)
Milli	10.9 (35.8)

## 2.3 Distance to wet areas



**WARNING: Electrical Hazard**

Risk of electrical shock or burn. You must connect an additional ground- (earth-) fault protection device to the grounded (earthed) connectors if persons are likely to come into contact with liquids that are also in contact with the pump or pumped liquid.

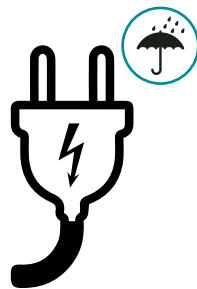
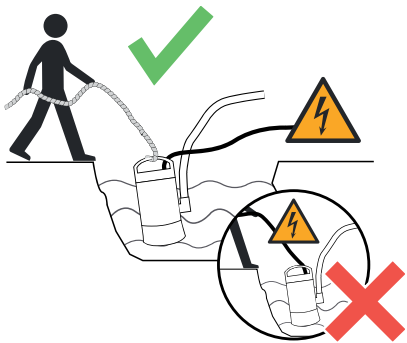
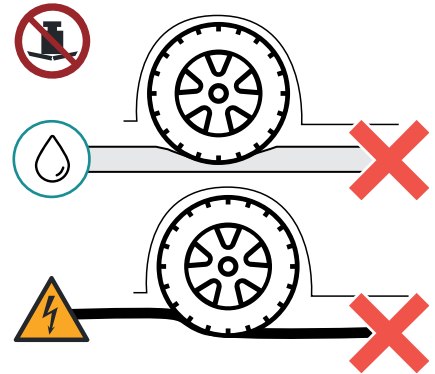
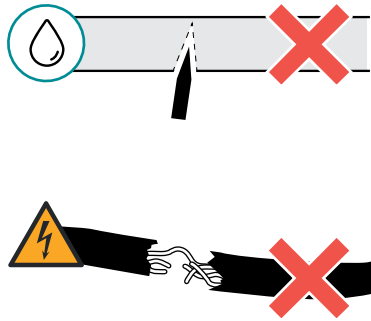
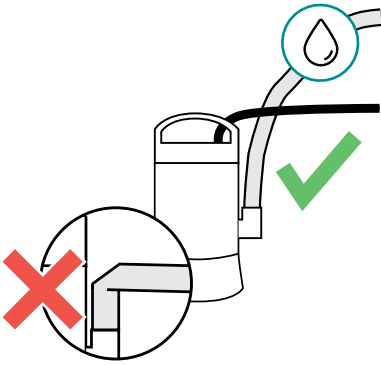
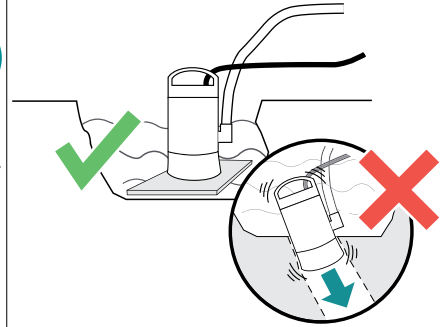
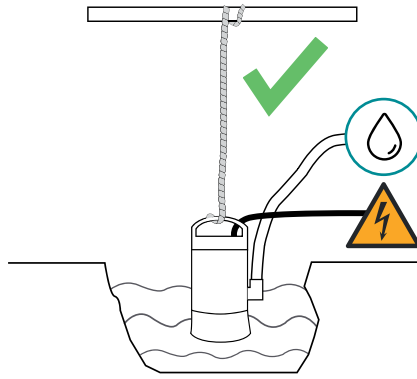
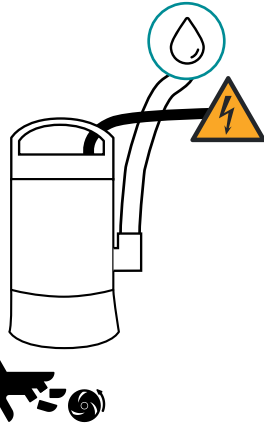
Notice: The pump is to be supplied through a ground fault circuit interrupter, having a rated residual operating current not more than 30 mA.

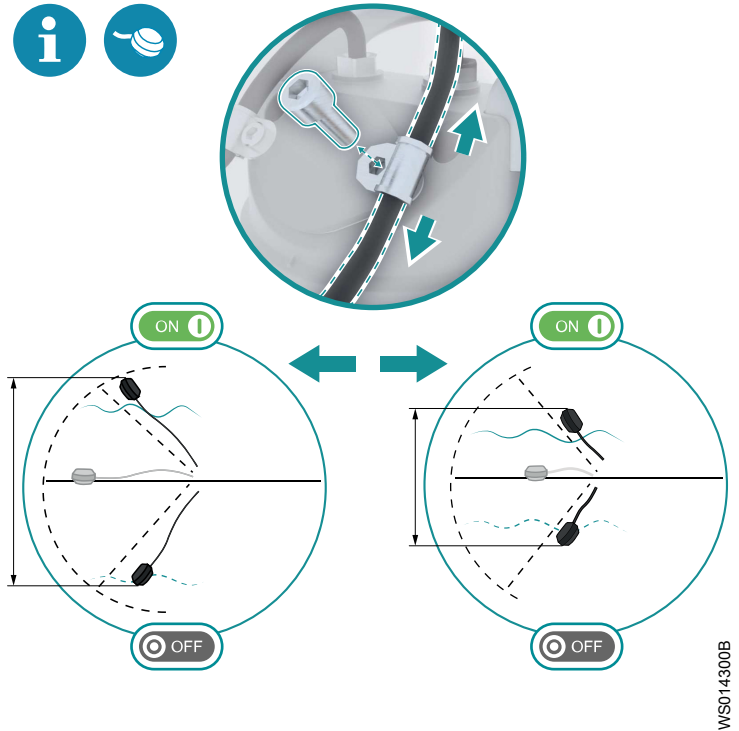
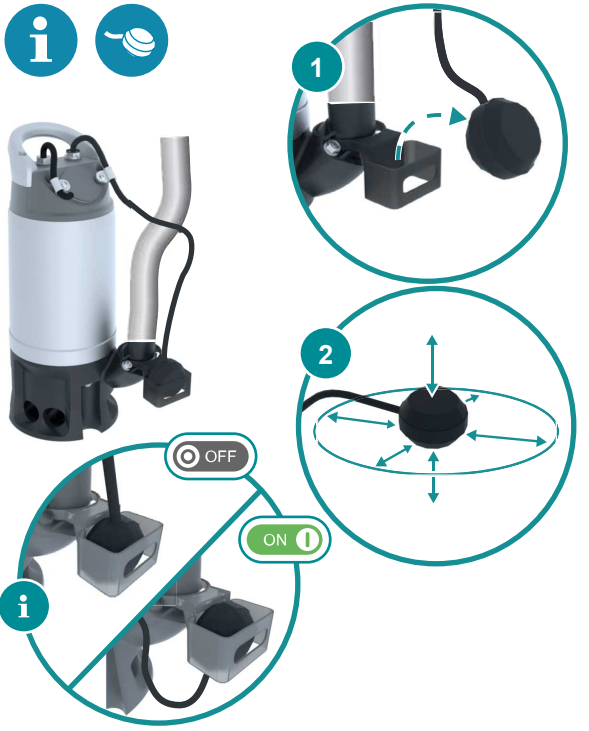
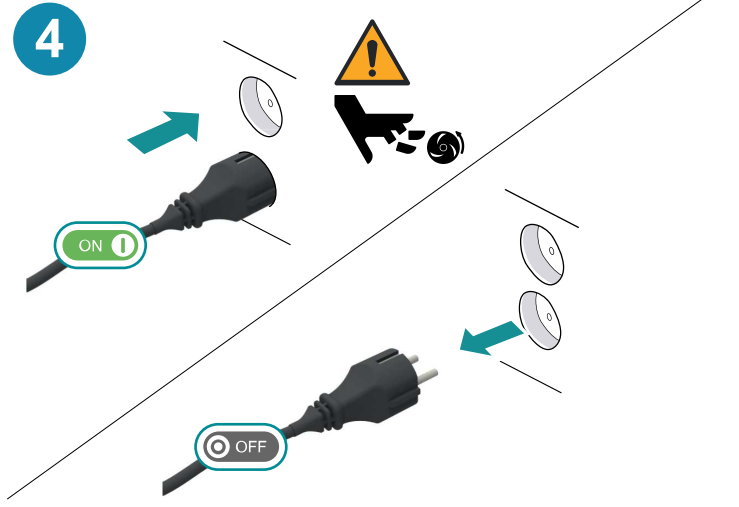
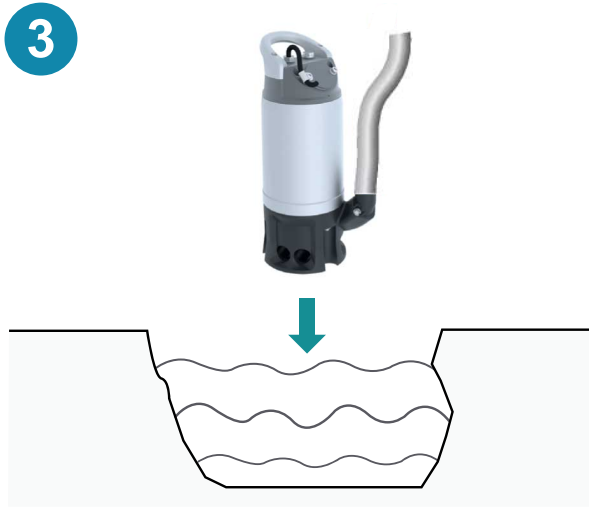
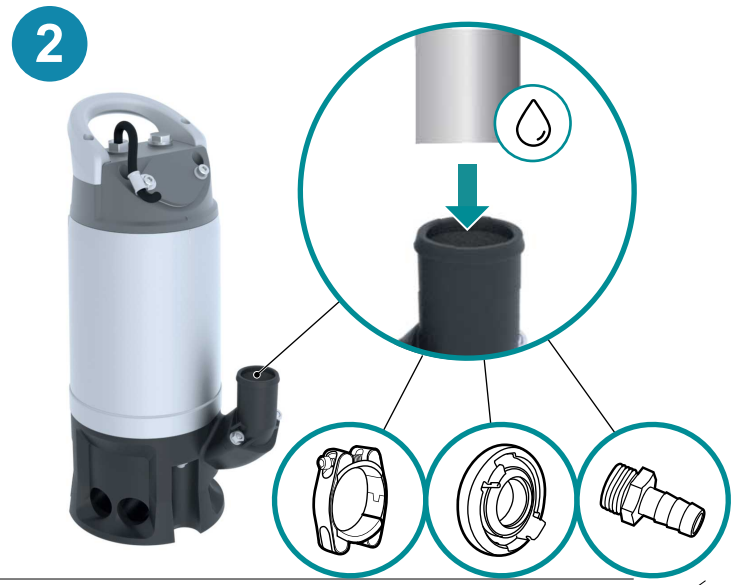
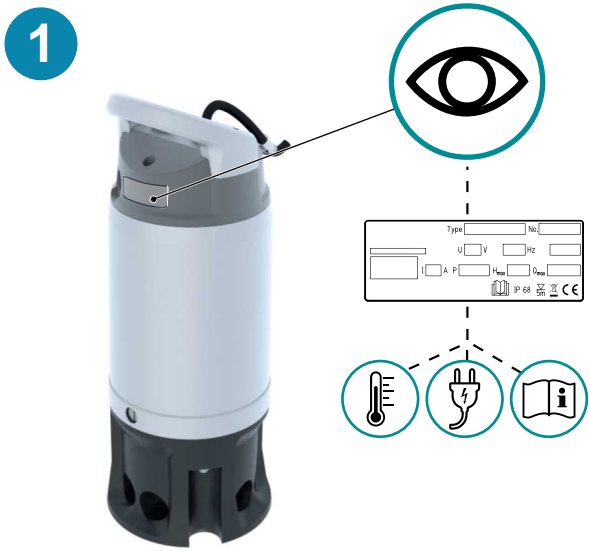


**CAUTION: Electrical Hazard**

Risk of electrical shock or burn. The equipment manufacturer has not evaluated this unit for use in swimming pools. If used in connection with swimming pools then special safety regulations apply.

### 3 Installation





WS014300B