



3307 / 3307 P

3307 - Compactor with vibratory smooth roller drum

3307 P - Compactor with vibratory padfoot drum

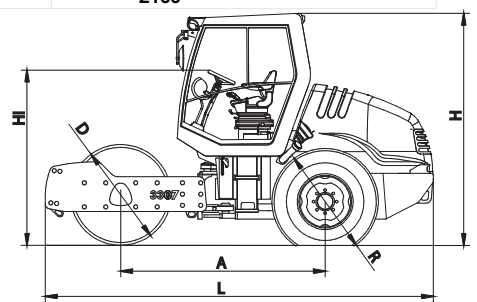
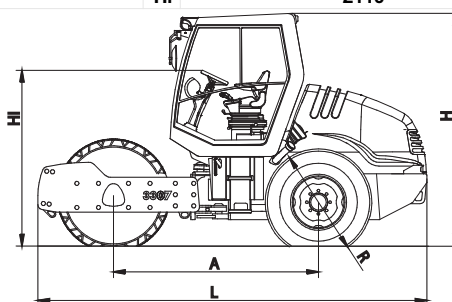
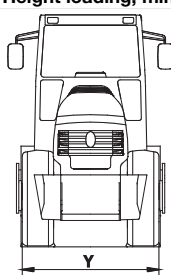
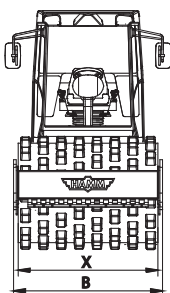


- ▶ Ergonomic driver seat for perfect all-round visibility
- ▶ Clear information display
- ▶ Excellent hill climbing ability via self-locking differential
- ▶ 3-point swivel joint for optimum driving comfort
- ▶ Hydrostatic steering
- ▶ Optimum ease of maintenance, long service intervals



3307 / 3307 P

3307 - Compactor with vibratory smooth roller drum
3307 P - Compactor with vibratory padfoot drum



Total length	L	4680	4680
Width	B	1790	1790
Total height	H	2795	2820
Wheel base	A	2465	2465
Drum width	X	1680	1680
Drum diameter	D	1216	1356
Width over tyres	Y	1650	1650
Diameter of tyres	R	1280	1280
Height loading, min.	HI	2110	2160

		3307	3307 P
Weights			
Operating weight with ROPS	kg	6620	6620
Operating weight with cab	kg	6840	6840
Operating weight, max.	kg	8410	7420
Axle load, front/rear	kg	3960/2880	3960/2880
Load per tyre, rear	kg	1440	1440
Static linear load, front	kg/cm	23,3	
French classific., data/class		29,4/VM2	29,2/MPM2
Machine dimensions			
Max. working width	mm	1680	1680
Lateral overhang, left/right	mm	55/55	55/55
Ground clearance, left/right	mm	400/400	400/400
Ground clearance, centre	mm	310	310
Turning radius, inside	mm	3060	3060
Drum type, front		smooth/non-divided	Padfoot
Drum thickness, front	mm	25	15
Padfeet, number			112
Height of the padfeet	mm		80
Front area of padfeet	cm ²		113
Size of tyres, rear		AW 14.9-24 8 TL	TR 14.9-24 8 TL
Diesel engine			
Manufacturer		DEUTZ	DEUTZ
Version		TD 2011 L04 W	TD 2011 L04 W
Number of cylinders		4	4
Power rat. ISO 14396, kW/PS/rpm		55,4/75,3/2600	55,4/75,3/2600
Power rating SAE J1349, kW/HP/rpm		55,4/74,2/2600	55,4/74,2/2600
Emissions standard EU/USA		III A / Tier 4i	III A / Tier 4i
Fuel tank, capacity	L	175	175
Drive			
Hydrostatic drive, front/rear		Wheel motor/axle	Wheel motor/axle
Speed, working gear	km/h	0-4,4/0-6,3/0-6,7	0-4,5/0-6,0/0-7,2
Speed, transportation gear	km/h	0-12,5	0-11,9
Climbing ability, vibration on/off	%	54/59	65/70
Vibration			
Vibration frequency, front, I/II	Hz	30/42	30/42
Amplitude, front, I/II	mm	1,7/0,6	1,7/0,6
Centrifugal force, front, I/II	kN	125/95	125/95
Steering			
Steering, type		Articulated steering	Articulated steering
Steering, actuation		hydrostatic, steering wheel	hydrostatic, steering wheel
Steering angle +/-	°	35	35
Oscillation angle +/-	°	10	10

Equipment
Spring-mounted driver's seat, Double-sided access, Seat console, can be moved and swivelled laterally, Continuously variable hydrostatic all-wheel drive, Excellent engine power with traction control, Swivelling steering and instrument console, Modern information and indicator display, Tilttable GRP bonnet

Optional equipment
Spotlights, Exterior and interior mirrors, Radio, Heating with dust-free ventilation, Air conditioning, Sound insulation, ROPS/FOPS, Sun roof, HCQ compaction meter, HCQ-GPS compaction documentation system, Tachograph