

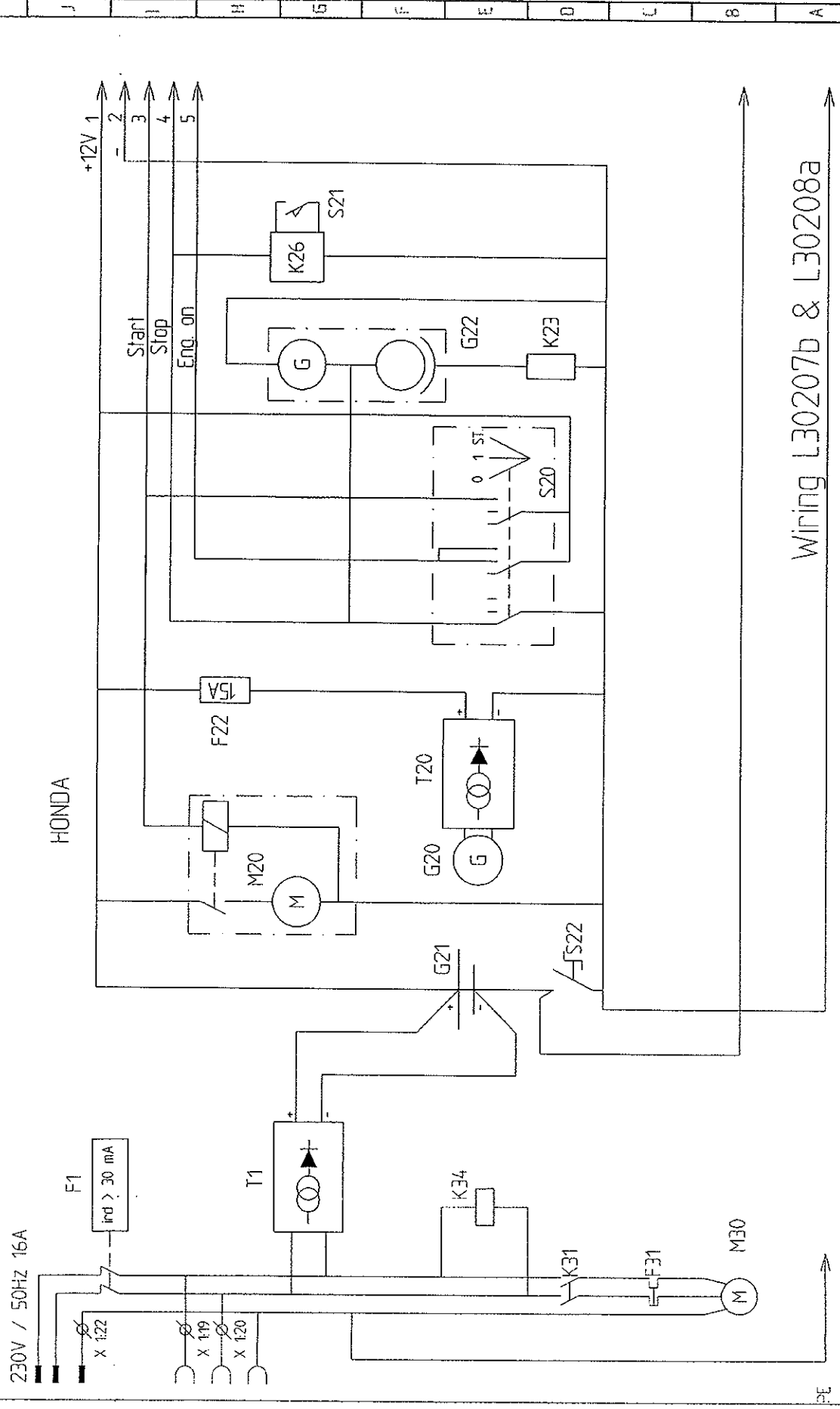
**LEGUAN 80SX / HONDA + 230V; EN280**

Symboli	Nimi	Tyyppi	kpl
C17	Kondensaattori	25V / 2200 µF	1
C2	Kondensaattori	Nichicon 63V / 1000 µF	1
C31	Kondensaattori	Nichicon 63V / 1000 µF	1
D1..14,31	Diodi	600V 6A R-6	6
F1	Vikavirtasuoja	Legrand 089-09, 25A, 30mA	1
F2,F4	Sulake	5A	2
F22	Sulake	15A Honda	1
F3	Sulake	10A	1
F31	Moottorin lämpösuoja	Moeller ZB12-16	1
G20	Latauskela	Honda	1
G21	Akku	Yuasa 085/4 12V 48Ah	1
G22	Sytytysyksikkö	Honda	1
H1	Merkkilamppu	Baco S20SA40	1
H17	Merkkilamppu, LED	5mm kirkas punainen	1
H18	Summeri	Sonitron SC1535A5F	1
H2..5	Merkkilamppu, LED	5mm kirkas punainen	4
H8	Summeri	Sonitron SWP515C	1
K10	Rele	Releco C7-A2012D	1
K12, K1Y	Rele, aikahid.	Crouzet MUR4	2
K17	Rele	Releco C7-A2012D	1
K2	Rele	Releco C7-A2012D	1
K23	Sytytystulppa	Honda	1
K25	Rele	Releco C7-A2012D	1
K26	Öljyn pinnan anturi	Honda	1
K31	Kontaktori	Moeller ZB12-16 12VDC	1
K34	Rele	Releco C10-A10230AC	1
K4	Rele	Releco C7-A2012D	1
K5	Solenoidiventtiili	EDI OD11.31.18.15.000	1
K6	Rele	Releco C10-A10FX12D	1
K61	Lähestymiskytkin	Bernstein 692.2704.001	1
K7	Suuntaventtiili	Diplomatic DS3-S4/10N 12VDC + NS6 3/8"	1
K8	Rele	Releco C3-A3012D	1
K9, Khid	Solenoidiventtiili	Hydraforce SV08-21/Hydac WK08V-01-C-N-12DG	2
KN1	Rele	Releco C9A4112D	1
KR	Solenoidi, rikastin	ABTrasmissioni CM25003V12C	1
M20	Käynnistysmoottori	Honda	1
M30	Sähkömoottori	Grundfos 2,2kW 1~ 2720rpm	1
P1	Käyttötuntimittari	Unideck 0600065	1
PS1..4	Painekytin	Suco 0170 461 031 012	4
PS5	Painekytin	Suco 0166 407 031 027	1
PS7	Painekytin	Suco 0171 460 03 1 003	1
R2..5	Vastus	680Ω / 0,5W Farnell 335-903	4
S1	Hätä-seis painike	A-B 800FP-MTS443LX02	1
S14	Valintakytkin	A-B 800FP-SM323LX11	1
S2+3	Pysäytyspainike	A-B 800FP-SR323LX01+01+10	1
S20	Virtakytkin	Honda	1
S21	Öljyn pinnan kytkin	Honda	1
S22	Pääkytkin	Menber's 080987.00	1
S4	Rajakytkin, lava	Crouzet 83.871.0	1
S5	Rajakytkin, valinta	Crouzet 83873101	1
S6	Rajakytkin	Bernstein 188-SU1Z AH (608 6185.034)	1
S7	Painike, varalasku	A-B 800FP-F13LX10	1
S7a	Painike, varalasku	Merit 201700	1
S8	Painike, nosto	A-B 800FP-F2LX11	1
S9	Painike, lasku	A-B 800FP-F2LX11	1
SR	Painike, rikastin	Merit 201700	1
T1	Laturi	Convince 1206	1
T20	Säädin	Honda	1

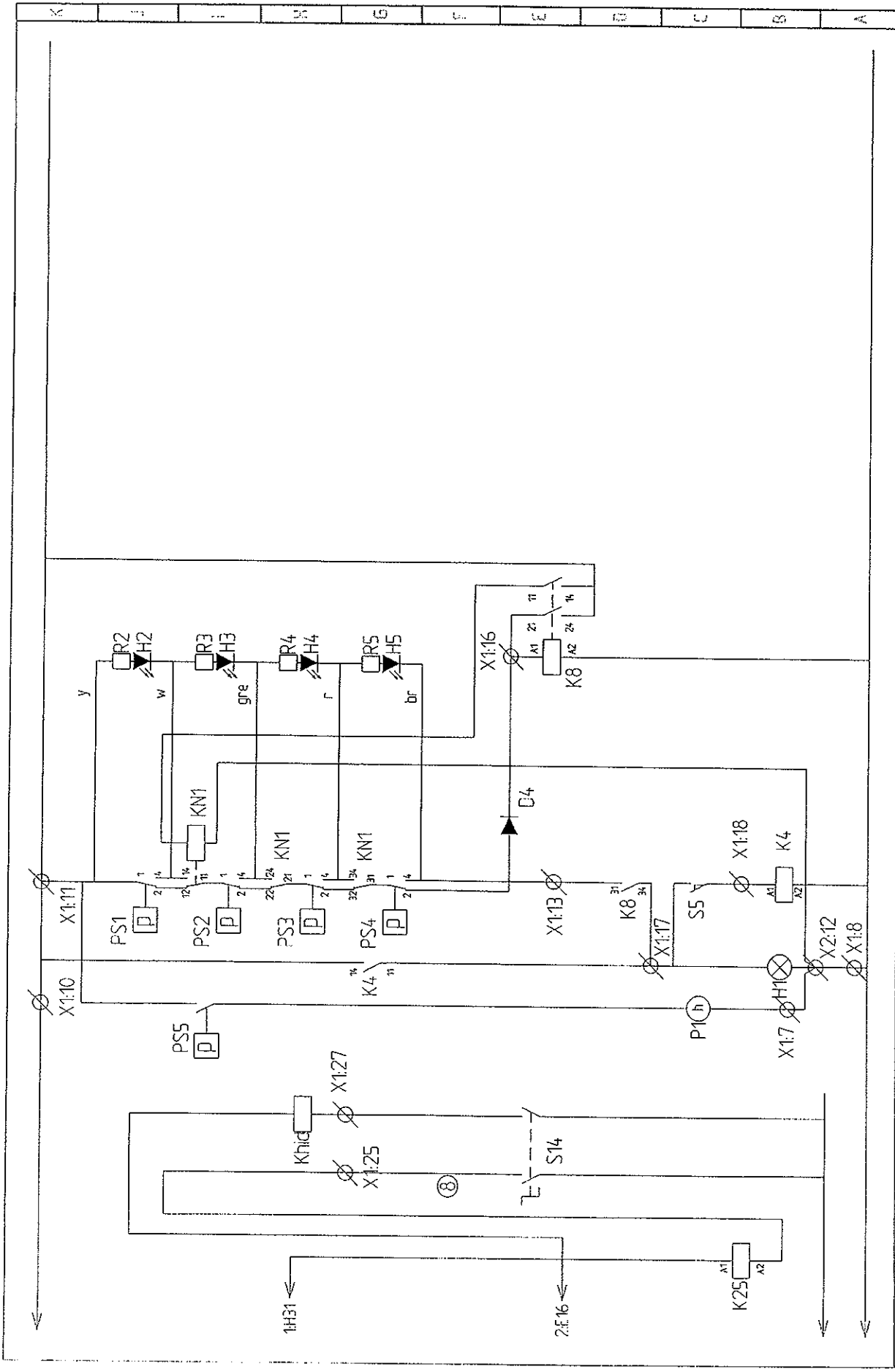
## LEGUAN 80SX / HONDA + 230V; EN280

Symbol	Item	Type	nr./unit
C17	Capacitor	25V / 2200 µF	1
C2	Capacitor	Nichicon 63V / 1000 µF	1
C31	Capacitor	Nichicon 63V / 1000 µF	1
D1..14. D31	Diode	600V 6A R-6	6
F1	Res.current device	Legrand 089-09, 25A, 30mA	1
F2,F4	Fuse	5A	2
F22	Fuse	15A Honda	1
F3	Fuse	10A	1
F31	Thermal overl. relay	Moeller ZB12-16	1
G20	Charging coil	Honda	1
G21	Battery	Yuasa 085/4 12V 48Ah	1
G22	Ignition unit	Honda	1
H1	Signal lamp	Baco S20SA40	1
H17	Signal led	5mm hi-intensity red	1
H18	Buzzer	Sonitron SC1535A5F	1
H2..5	Signal led	5mm hi-intensity red	4
H8	Buzzer	Sonitron SWP515C	1
K10	Relay	Releco C7-A2012D	1
K12, K1Y	Timer relay	Crouzet MUR4	2
K17	Relay	Releco C7-A2012D	1
K2	Relay	Releco C7-A2012D	1
K23	Spark plug	Honda	1
K25	Relay	Releco C7-A2012D	1
K26	Oil level switch	Honda	1
K31	Contactora	Moeller ZB12-16 12VDC	1
K34	Relay	Releco C10-A10230AC	1
K4	Relay	Releco C7-A2012D	1
K5	Solenoid valve	EDI OD11.31.18.15.000	1
K6	Relay	Releco C10-A10FX12D	1
K61	Proximity switch	Bernstein 692.2704.001	1
K7	Dir. control valve	Duplomatic MD1D-S2 12VDC + NS6 3/8"	1
K8	Relay	Releco C3-A3012D	1
K9, Khid	Solenoid valve	Hydraforce SV08-21/Hydac WK08V-01-C-N-12DG	2
KN1	Relay	Releco C9A4112D	1
KR	Solenoid, choke	ABTrasmissioni CM25003V12C	1
M20	Starter motor	Honda	1
M30	Electric motor	Grundfos 2,2kW 1~ 2720rpm	1
P1	Hourmeter	Unideck 0600065	1
PS1..4	Pressure switch	Suco 0170 461 031 012	4
PS5	Pressure switch	Suco 0166 407 031 027	1
PS7	Pressure switch	Suco 0171 460 03 1 003	1
R2..5	Resistor	680Ω / 0,5W Farnell 335-903	4
S1	Em. stop button	A-B 800FP-MTS443LX02	1
S14	Selector switch	A-B 800FP-SM323LX11	1
S2+3	Stop button	A-B 800FP-SR323LX01+01+10	1
S20	Key switch	Honda	1
S21	Oil level sensor	Honda	1
S22	Main switch	Member's 080987.00	1
S4	Limit switch, platf.	Crouzet 83.871.0	1
S5	Limit switch, select	Crouzet 83873101	1
S6	Limit switch	Bernstein 188-SU1Z AH (608 6185.034)	1
S7	Push button em.low.	A-B 800FP-F13LX10	1
S7a	Push button em.low.	Merit 201700	1
S8	Push button platf. up	A-B 800FP-F2LX11	1
S9	Push button platf. dow	A-B 800FP-F2LX11	1
SR	Push button, choke	Merit 201700	1
T1	Battery charger	Convince 1206	1
T20	Regulator	Honda	1

Rev.	Revisão	Modificações	Lim. Material
2015-07	EK	Is. DS, SR ja KR	3
9.8.07	EK	Is. DT	4

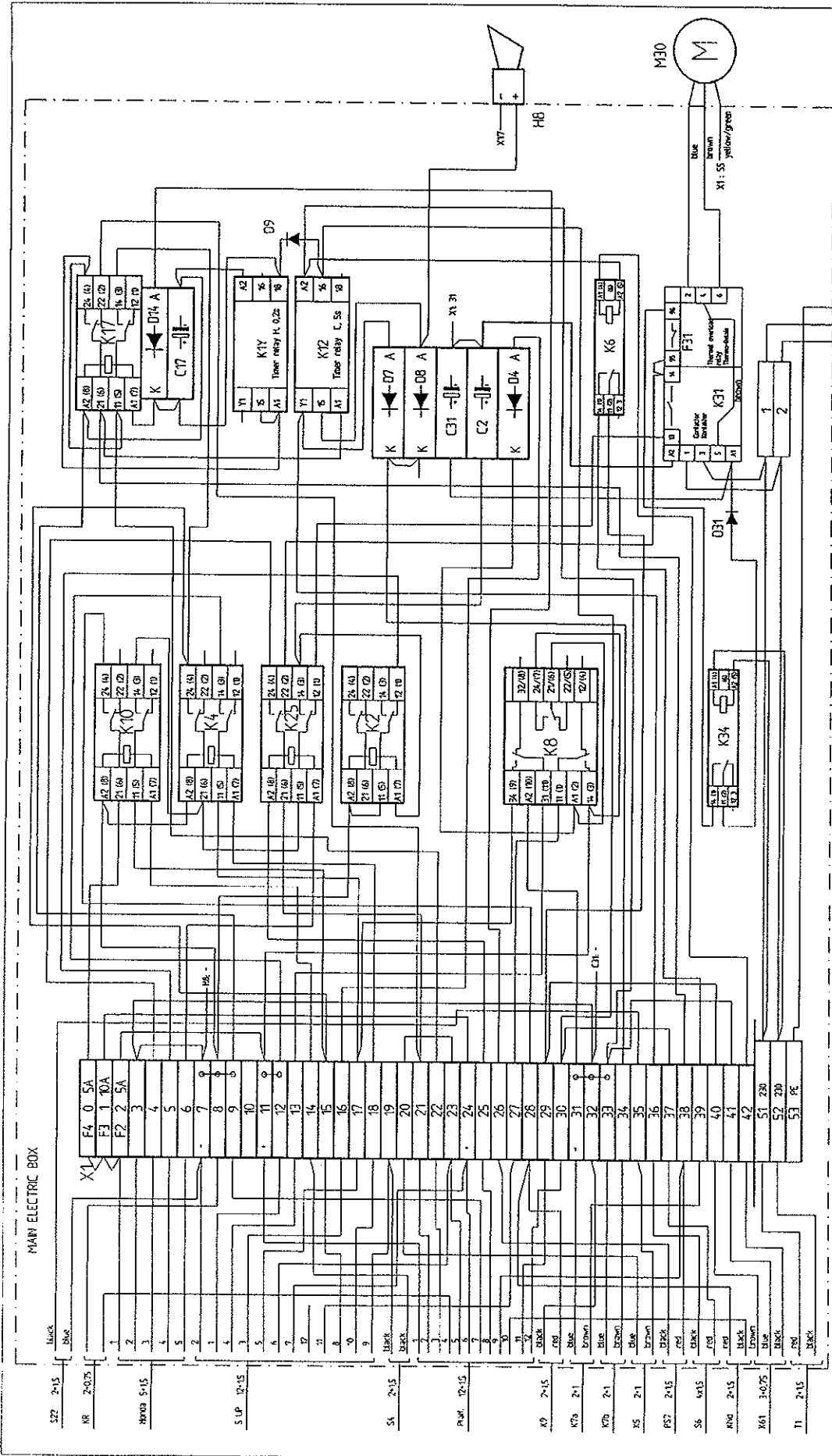


1	2	3	4	5	6	7	8	9	10	11	12	13	14	15	16	17	18	19	20	21	22	23	24	25	26	27	28	29	30	31	32
Kadaluhiakomissa tml.												Nollaus												LEMI/verhoilpar. N.							
Eml. par.												HS TECNO												1/3							
Suutte												Electric diagram												L40168b							



1	2	3	4	5	6	7	8	9	10	11	12	13	14	15	16	17	18	19	20	21	22	23	24	25	26	27	28	29	30	31	32
10H31 2E16 K25 S14 X1:25 X1:27 Khid X1:125 X1:127 PS5 X1:10 X1:11 PS1 PS2 PS3 PS4 K4 KN1 KN1 KN1 D4 X1:13 X1:16 K8 X1:17 S5 P1 X1:18 X1:17 X1:18 X2:12 X1:8 X1:18 K4 X1:16 K8 R2 H2 R3 H3 R4 H4 R5 H5 y w gr r br												Material: Ent. par. (MS) par.		HS TECNO		Nerdys Tube Electric diagram		3/3		L40168b											





**KAARVO L401680**

Meistohankko  
Terveystieteiden tutkimuskeskus  
Helsinki

Paikk. 112-06  
Ei

HS TECNO

230V  
Brown  
Black  
Yellow/green

Finland supplier for Kaasiteley  
Materiaalissa eri  
ent. pnc. UUSI pnc.

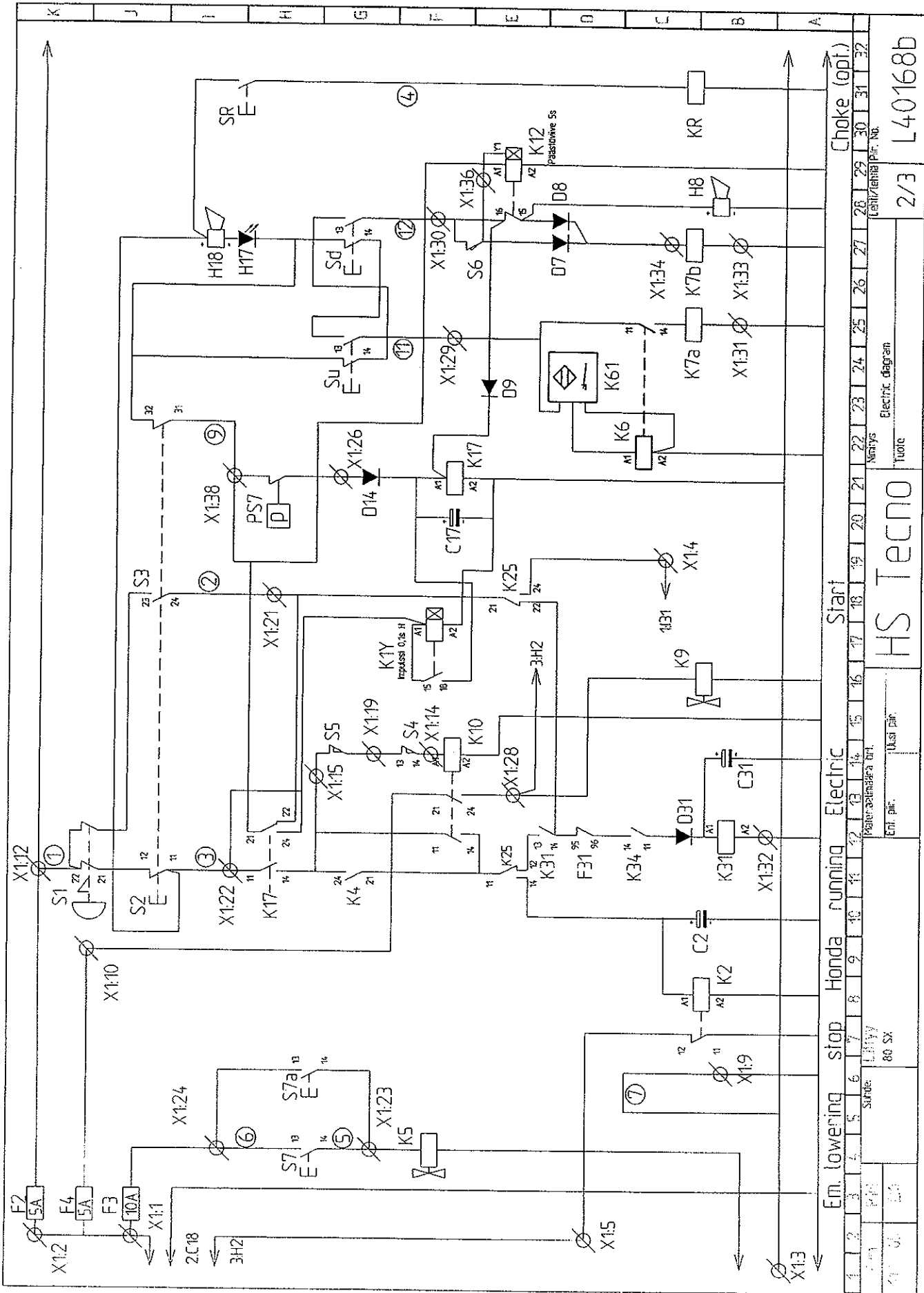
Subst. Laitos  
Laitos abss

NR008 wiring layout  
table

Electric box  
EE Pansas • 230V

UOHE NR. Pnc. NO. 0309-07 1508  
L30207 B

To drawing L30208a



1	2	3	4	5	6	7	8	9	10	11	12	13	14	15	16	17	18	19	20	21	22	23	24	25	26	27	28	29	30	31	32
																		Start										Choke (opt.)			
Em. lowering stop Honda running Electric																		Start										Choke (opt.)			
Sinter: LIBBY																		Paster: adalmanca int.										Nemys			
80 SX																		Em. pil.										Tuote			
80 SX																		HS TECNO										Electric diagram			
																		2/3										L40168b			

## LEGUAN 80SX / HONDA + 230V; EN280

Symbol	Benennung	Typ	St/Gerät
C17	Kondensator	25V / 2200 µF	1
C2	Kondensator	Nichicon 63V / 1000 µF	1
C31	Kondensator	Nichicon 63V / 1000 µF	1
D1..14,31	Diode	600V 6A R-6	6
F1	Fehlerstromschutz	Legrand 089-09, 25A, 30mA	1
F2,F4	Schmelzsicherung	5A	2
F22	Schmelzsicherung	15A Honda	1
F3	Schmelzsicherung	10A	1
F31	Motorschutz	Moeller ZB12-16	1
G20	Ladewicklung	Honda	1
G21	Batterie	Yuasa 085/4 12V 48Ah	1
G22	Zündeinheit	Honda	1
H1	Lampe	Baco S20SA40	1
H17	Lampe, LED	5mm rot	1
H18	Summer	Sonitron SC1535A5F	1
H2..5	Lampe, LED	5mm rot	4
H8	Summer	Sonitron SWP515C	1
K10	Relais	Releco C7-A2012D	1
K12, K1Y	Zeitrelais	Crouzet MUR4	2
K17	Relais	Releco C7-A2012D	1
K2	Relais	Releco C7-A2012D	1
K23	Zündkerze	Honda	1
K25	Relais	Releco C7-A2012D	1
K26	Ölstandgeber	Honda	1
K31	Kontaktor	Moeller ZB12-16 12VDC	1
K34	Relais	Releco C10-A10230AC	1
K4	Relais	Releco C7-A2012D	1
K5	Notablassventil	EDI OD11.31.18.15.000	1
K6	Relais	Releco C10-A10FX12D	1
K61	Induktivschalter	Bernstein 692.2704.001	1
K7	Wegeventil	Duplomatic MD1D-S2 12VDC + NS6 3/8"	1
K8	Relais	Releco C3-A3012D	1
K9, Khid	Solenoidventil	Hydraforce SV08-21/Hydac WK08V-01-C-N-12DG	2
KN1	Relais	Releco C9A4112D	1
KR	Solenoid, Drosselkl.	ABTrasmissioni CM25003V12C	1
M20	Startmotor	Honda	1
M30	Elektromotor	Grundfos 2,2 kW 1~ 2720rpm	1
P1	Betriebsstundenzähler	Unideck 0600065	1
PS1..4	Druckschalter	Suco 0170 461 031 012	4
PS5	Druckschalter	Suco 0166 407 031 027	1
PS7	Druckschalter	Suco 0171 460 03 1 003	1
R2..5	Widerstand	680Ω / 0,5W Farnell 335-903	4
S1	Not-Aus taste	A-B 800FP-MTS443LX02	1
S14	Wahlschalter	A-B 800FP-SM323LX11	1
S2+3	Start-Stopschalter	A-B 800FP-SR323LX01+01+10	1
S20	Zündschloss	Honda	1
S21	Ölstandscharter	Honda	1
S22	Hauptschalter	Menber's 080987.00	1
S4	Grenzscharter, Platform	Crouzet 83.871.0	1
S5	Grenzscharter, Wahlhebel	Crouzet 83873101	1
S6	Grenzscharter	Bernstein 188-SU1Z AH (608 6185.034)	1
S7	Notablasstaste	A-B 800FP-F13LX10	1
S7a	Notablasstaste	Merit 201700	1
S8	Taste, Heben	A-B 800FP-F2LX11	1
S9	Taste, Senken	A-B 800FP-F2LX11	1
SR	Taste, Drosselkl.	Merit 201700	1
T1	Ladegerät	Convince 1206	1
T20	Spannungsregler	Honda	1



**LEGUAN 80SX / HONDA + 230V; EN280**

Symboli	Nimi	Tyyppi	kpl
C17	Kondensator	25V / 2200 µF	1
C2	Kondensator	Nichicon 63V / 1000 µF	1
C31	Kondensator	Nichicon 63V / 1000 µF	1
D1..14,31	Diod	600V 6A R-6	6
F1	Felströmbrytare	Legrand 089-09, 25A, 30mA	1
F2,F4	Säkring	5A	2
F22	Säkring	15A Honda	1
F3	Säkring	10A	1
F31	Termorelä	Moeller ZB12-16	1
G20	Generatorspol	Honda	1
G21	Batteri	Yuasa 085/4 12V 48Ah	1
G22	Tändenhet	Honda	1
H1	Kontrolljus	Baco S20SA40	1
H17	Kontrolljus, LED	5mm röd	1
H18	Summer	Sonitron SC1535A5F	1
H2..5	Kontrolljus, LED	5mm röd	4
H8	Summer	Sonitron SWP515C	1
K10	Relä	Releco C7-A2012D	1
K12, K1Y	Tidrelä	Crouzet MUR4	2
K17	Relä	Releco C7-A2012D	1
K2	Relä	Releco C7-A2012D	1
K23	Tändstift	Honda	1
K25	Relä	Releco C7-A2012D	1
K26	Oljenivågivare	Honda	1
K31	Kontaktor	Moeller ZB12-16 12VDC	1
K34	Relä	Releco C10-A10230AC	1
K4	Relä	Releco C7-A2012D	1
K5	Nödsänkningsventil	EDI OD11.31.18.15.000	1
K6	Relä	Releco C10-A10FX12D	1
K61	Induktiv givare	Bernstein 692.2704.001	1
K7	Hydraulventil	Diplomatic MD1D-S2 12VDC + NS6 3/8"	1
K8	Relä	Releco C3-A3012D	1
K9, Khid	Solenoidventil	Hydraforce SV08-21/Hydac WK08V-01-C-N-12DG	2
KN1	Relä	Releco C9A4112D	1
KR	Solenoid, choke	ABTrasmissioni CM25003V12C	1
M20	Startmotor	Honda	1
M30	Elmotor	Grundfos 2,2 kW 1~ 2720rpm	1
P1	Timräknare	Unideck 0600065	1
PS1..4	Tryckbrytare	Suco 0170 461 031 012	4
PS5	Tryckbrytare	Suco 0166 407 031 027	1
PS7	Tryckbrytare	Suco 0171 460 03 1 003	1
R2..5	Resistans	680Ω / 0,5W Farnell 335-903	4
S1	Nöd-Stoppknapp	A-B 800FP-MTS443LX02	1
S14	Vridströmställare	A-B 800FP-SM323LX11	1
S2+3	Tryckknapp, stopp	A-B 800FP-SR323LX01+01+10	1
S20	Nyckellås	Honda	1
S21	Oljenivårelä	Honda	1
S22	Huvudströmbrytare	Menber's 080987.00	1
S4	Gränslägersbrytare, platf.	Crouzet 83.871.0	1
S5	Gränslägersbrytare, val	Crouzet 83873101	1
S6	Gränslägesbrytare	Bernstein 188-SU1Z AH (608 6185.034)	1
S7	Tryckknapp, nödsänk	A-B 800FP-F13LX10	1
S7a	Tryckknapp, nödsänk	Merit 201700	1
S8	Tryckknapp, platf. upp	A-B 800FP-F2LX11	1
S9	Tryckknapp, platf. ned	A-B 800FP-F2LX11	1
SR	Tryckknapp, choke	Merit 201700	1
T1	Batteriladdare	Convince 1206	1
T20	Regulator	Honda	1