

# Satema AB

## MTA 630kVA

### 400//1000V 50Hz



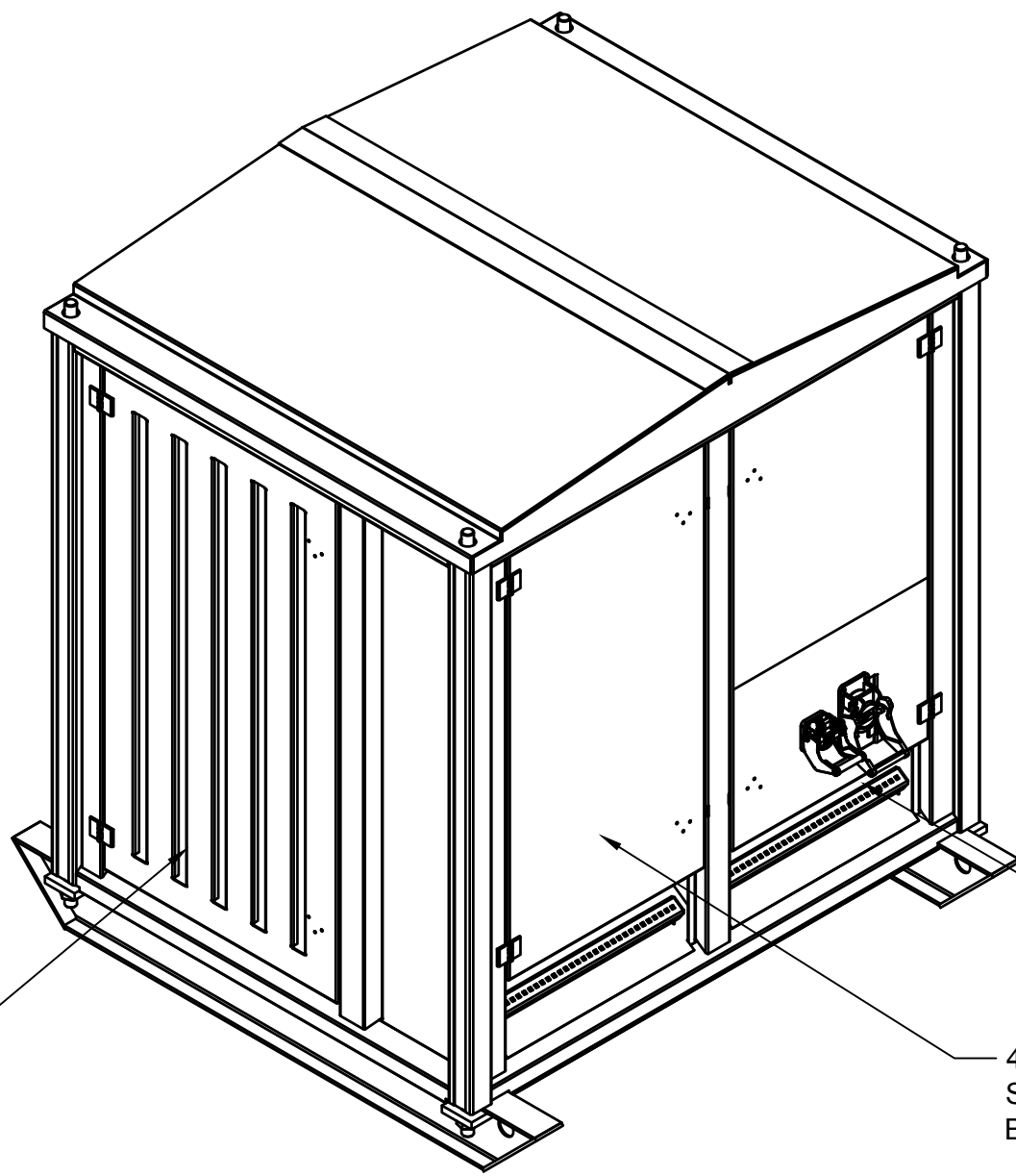
DESIGNED BY:  
PS  
 DRAWN BY:  
PS  
 APPROVED BY:

SATEMA AB  
 MTA 630kVA  
 400//1000V 50Hz  
 FORSIDE

PROJECTNUMBER:  
 ORDER NUMBER:

SHEET: 1 / 7  
 N.SHEET: 2  
 REV:  
 DATE: 21.02.2020

REV.	DESCRIPTION	SIGN.	DATE
A	TILBUD	PS	



UTVENDIGE MÅL:  
 H= 1950  
 B= 1800  
 D= 1775  
 Vekt: Ca. 2000kg

TRAFO-  
ROM

AVGANGER 1000V

400V INNTAK  
SLK-SKINNER  
BETJENING

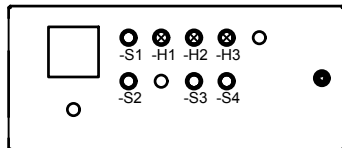
REV.	DESCRIPTION	SIGN.	DATE
A	TILBUD	PS	


**SATEMA**  
 PROFESJONELL STRØMFORSYNING  
[www.satema.no](http://www.satema.no) Tlf: 62 33 44 30

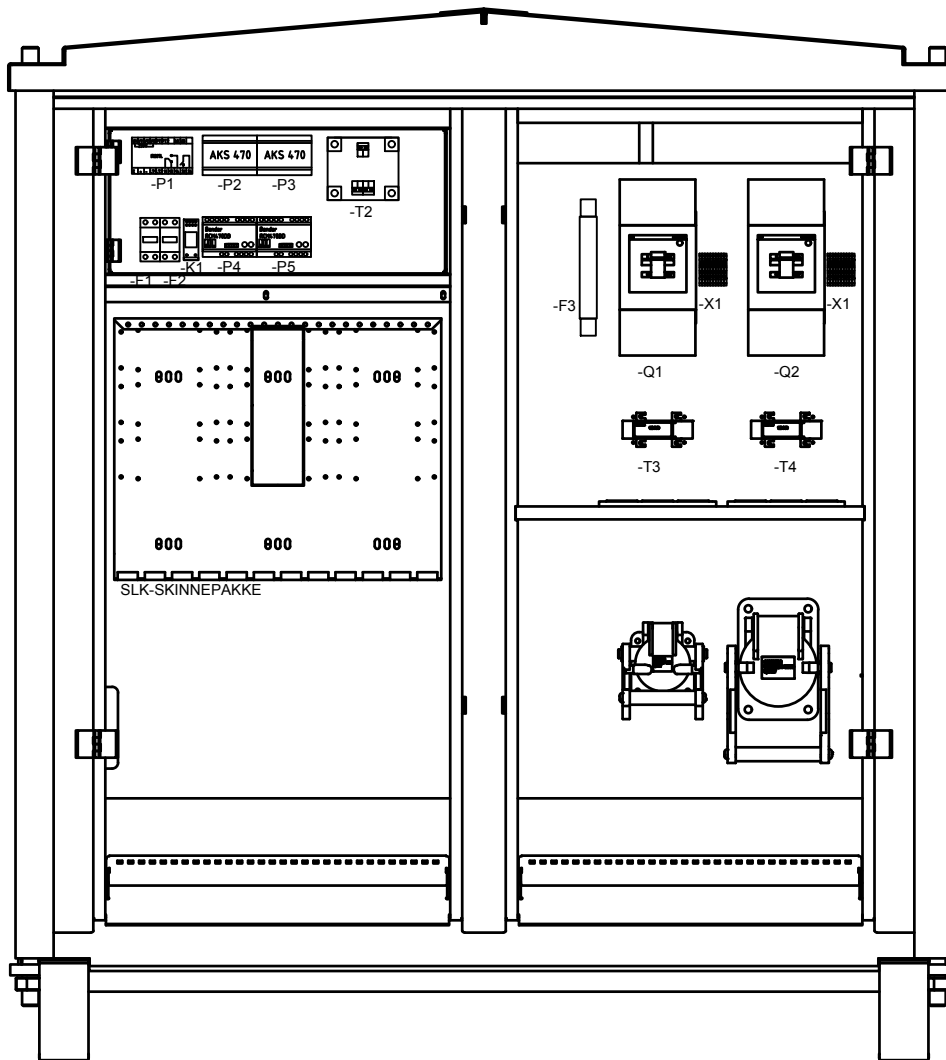
DESIGNED BY: PS  
 DRAWN BY: PS  
 APPROVED BY:

SATEMA AB  
 MTA 630kVA  
 400//1000V 50Hz  
 KIOSKHUS

PROJECTNUMBER:	SHEET: 2 / 7
	N.SHEET: 3
ORDER NUMBER:	REV:
	DATE: 21.02.2020



Styrepanel sett fra front



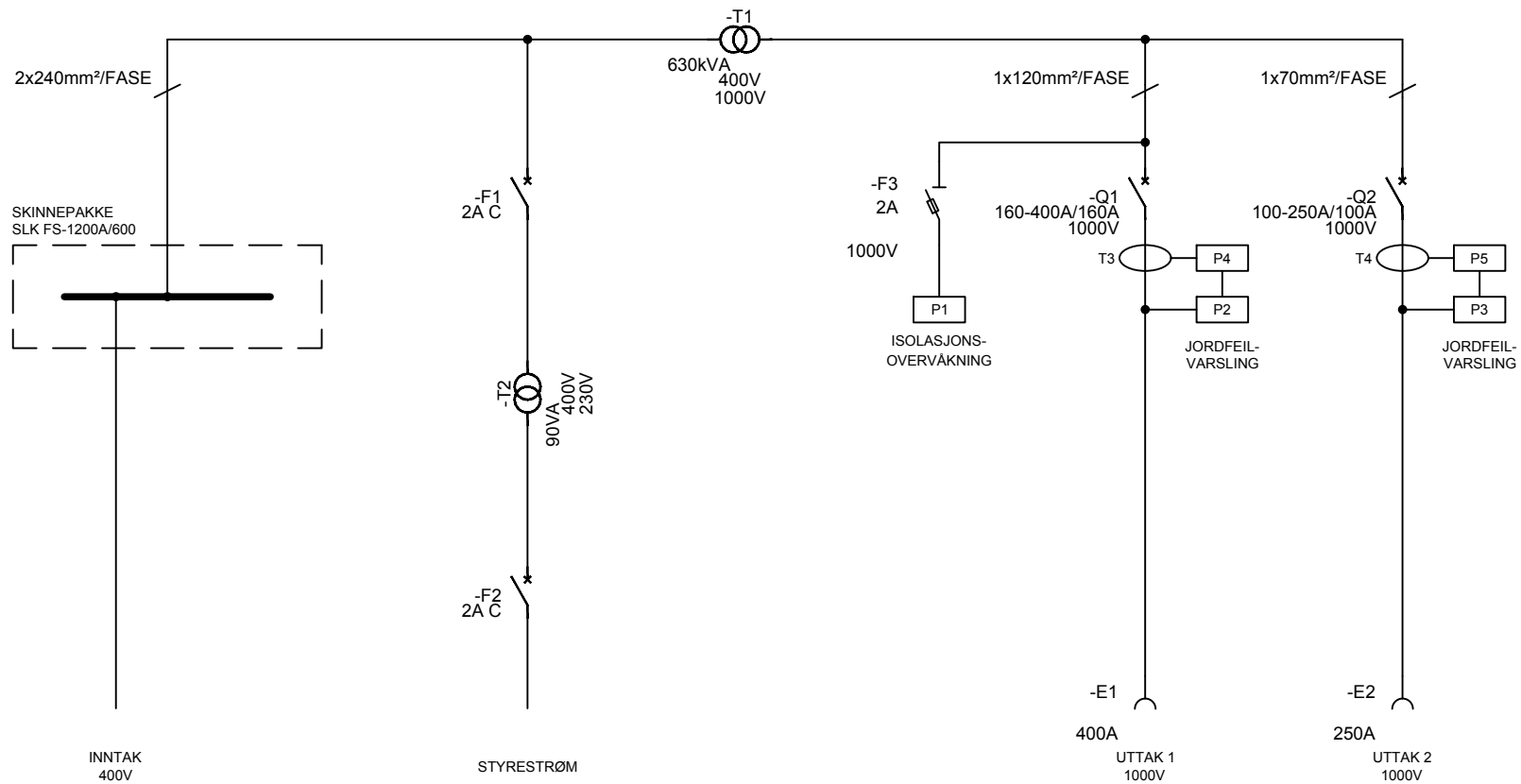
REV.	DESCRIPTION	SIGN.	DATE
A	TILBUD	PS	

  
**SATEMA**  
 PROFESJONELL STRØMFORSYNING  
[www.satema.no](http://www.satema.no) Tlf: 62 33 44 30

DESIGNED BY: PS  
 DRAWN BY: PS  
 APPROVED BY:

SATEMA AB  
 MTA 630kVA  
 400//1000V 50Hz  
 ARRANGEMENT

PROJECTNUMBER:	SHEET: 3 / 7
	N.SHEET: 4
ORDER NUMBER:	REV:
	DATE: 21.02.2020



REV.	DESCRIPTION	SIGN.	DATE
A	TILBUD	PS	

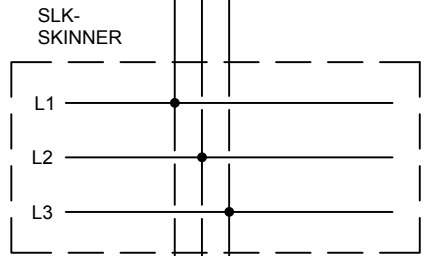
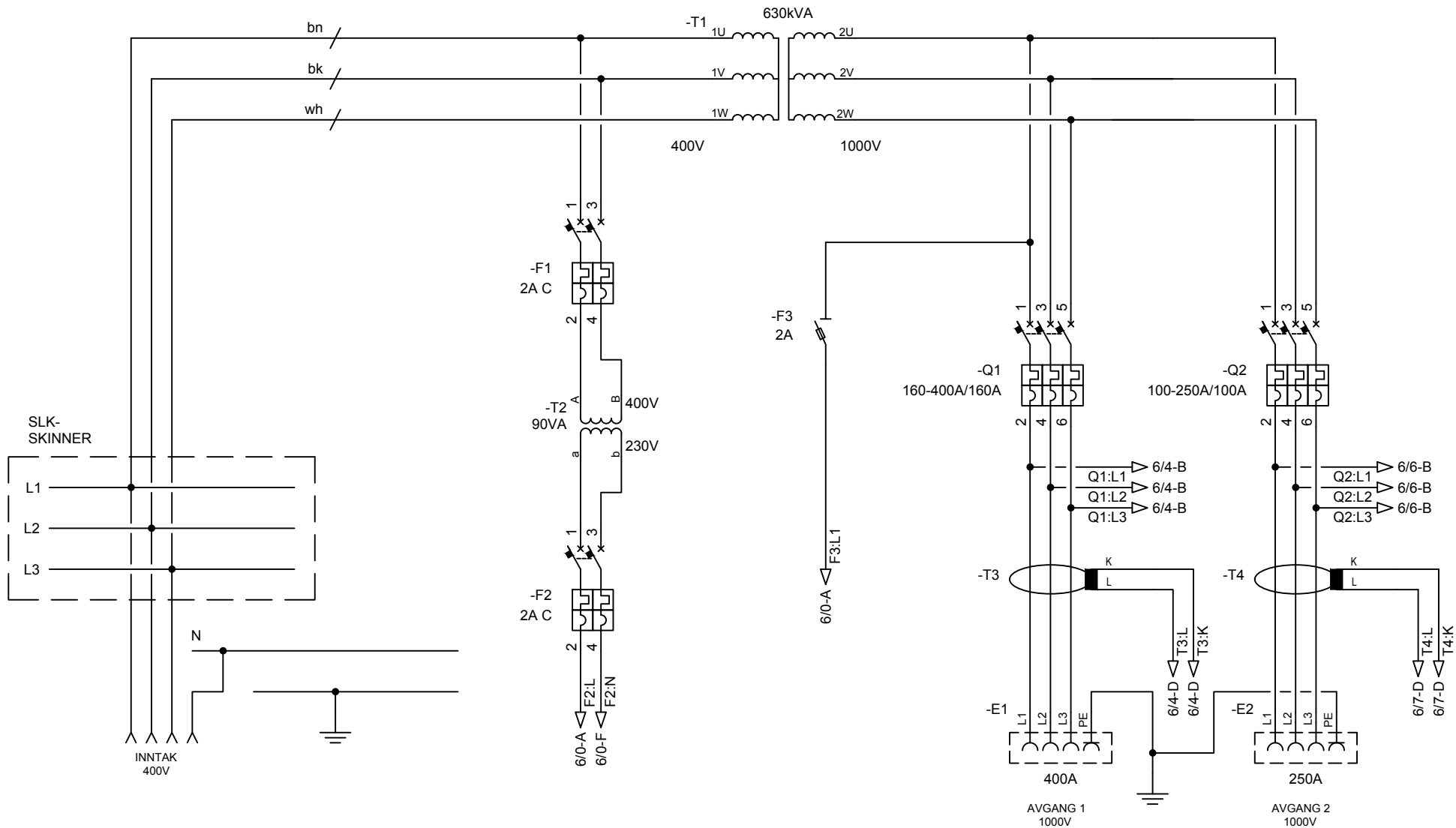
**SATEMA**  
 PROFESJONELL STRØMFORSYNING  
 www.satema.no Tlf: 62 33 44 30

DESIGNED BY:  
PS  
 DRAWN BY:  
PS  
 APPROVED BY:

SATEMA AB  
 MTA 630kVA  
 400//1000V 50Hz  
 ENLINJESKJEMA

PROJECTNUMBER:  
 ORDER NUMBER:

SHEET: 4 / 7  
 N.SHEET: 5  
 REV:  
 DATE: 21.02.2020



INNNTAK  
400V

REV.	DESCRIPTION	SIGN.	DATE
A	TILBUD	PS	

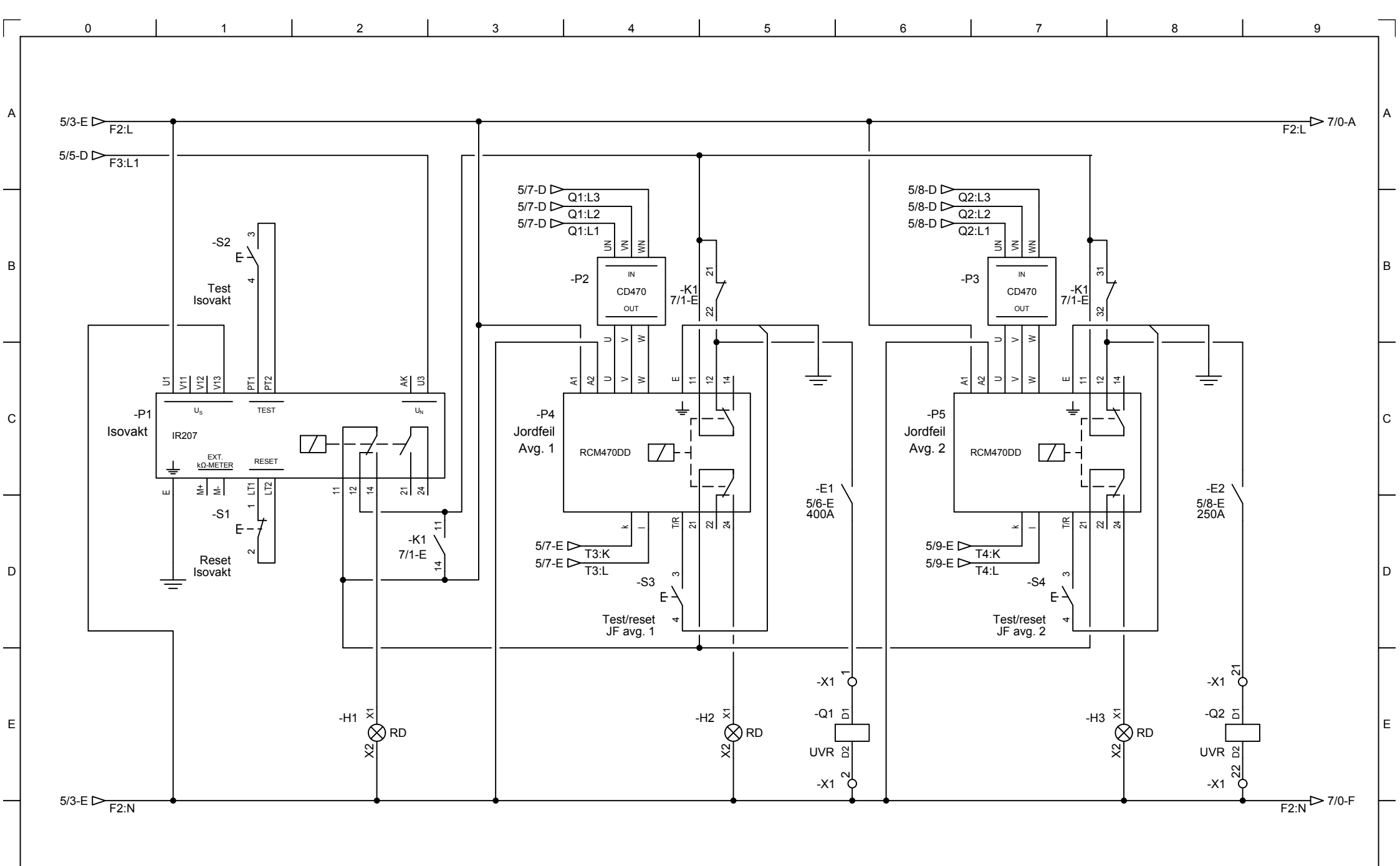


www.satema.no Tlf: 62 33 44 30

DESIGNED BY:  
PS  
DRAWN BY:  
PS  
APPROVED BY:

SATEMA AB  
MTA 630kVA  
400//1000V 50Hz  
HOVEDSTRØM

PROJECTNUMBER:	SHEET: 5 / 7
	N.SHEET: 6
ORDER NUMBER:	REV:
	DATE: 21.02.2020



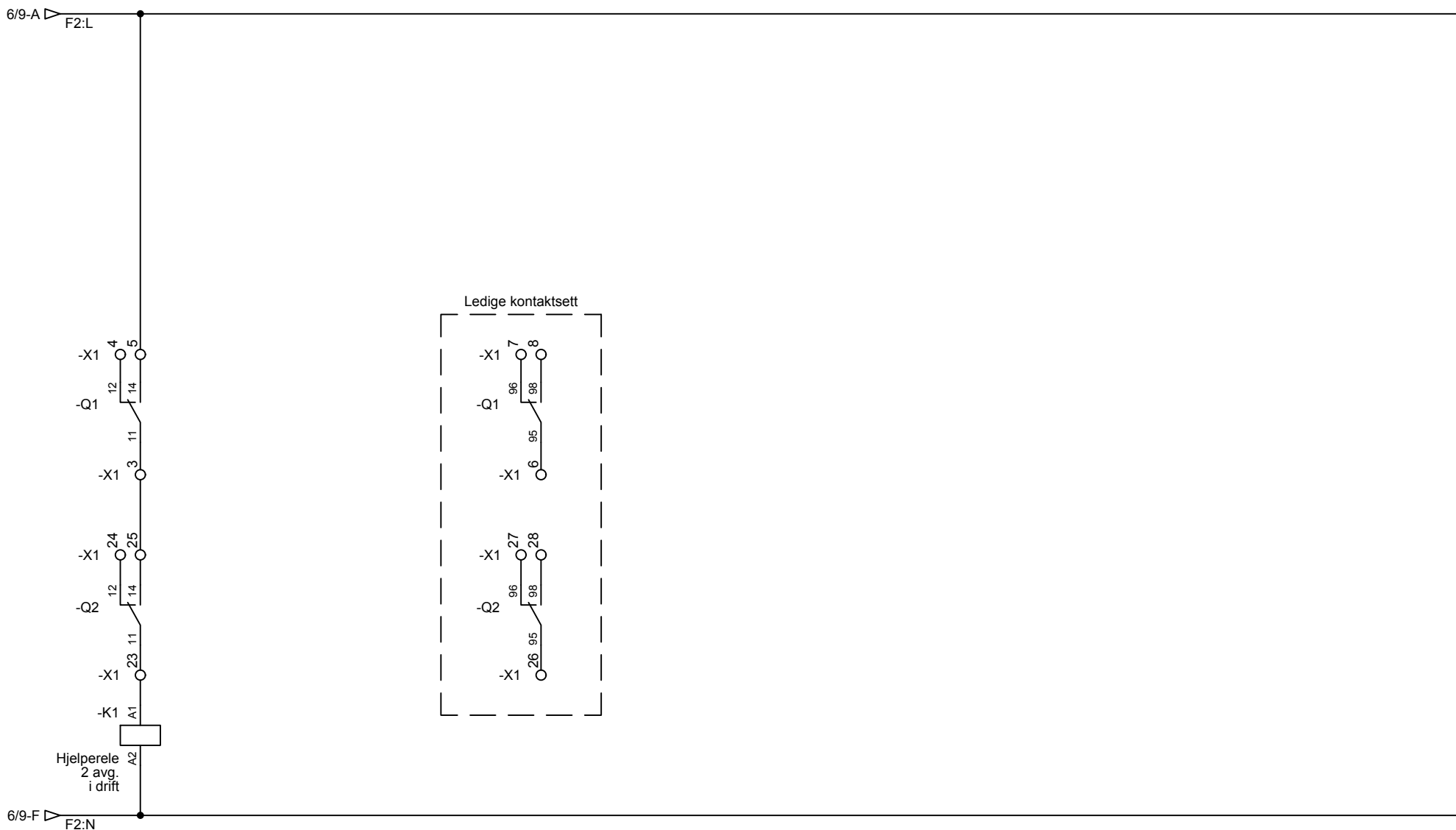
A	TILBUD	PS	
REV.	DESCRIPTION	SIGN.	DATE

  
**SATEMA**  
 PROFESJONELL STRØMFORSYNING  
[www.satema.no](http://www.satema.no) Tlf: 62 33 44 30

DESIGNED BY: PS  
 DRAWN BY: PS  
 APPROVED BY:

SATEMA AB  
 MTA 630kVA  
 400//1000V 50Hz  
 STYRESTRØM

PROJECTNUMBER:	SHEET: 6 / 7
	N.SHEET: 7
ORDER NUMBER:	REV:
	DATE: 21.02.2020



REV.	DESCRIPTION	SIGN.	DATE
A	TILBUD	PS	

**SATEMA**  
PROFESJONELL STRØMFORSYNING

www.satema.no Tlf: 62 33 44 30

DESIGNED BY:  
PS

DRAWN BY:  
PS

APPROVED BY:

SATEMA AB  
MTA 630kVA

400//1000V 50Hz  
HJELPERELEER

PROJECTNUMBER:	SHEET: 7 / 7
	N.SHEET:
ORDER NUMBER:	REV:
	DATE: 21.02.2020