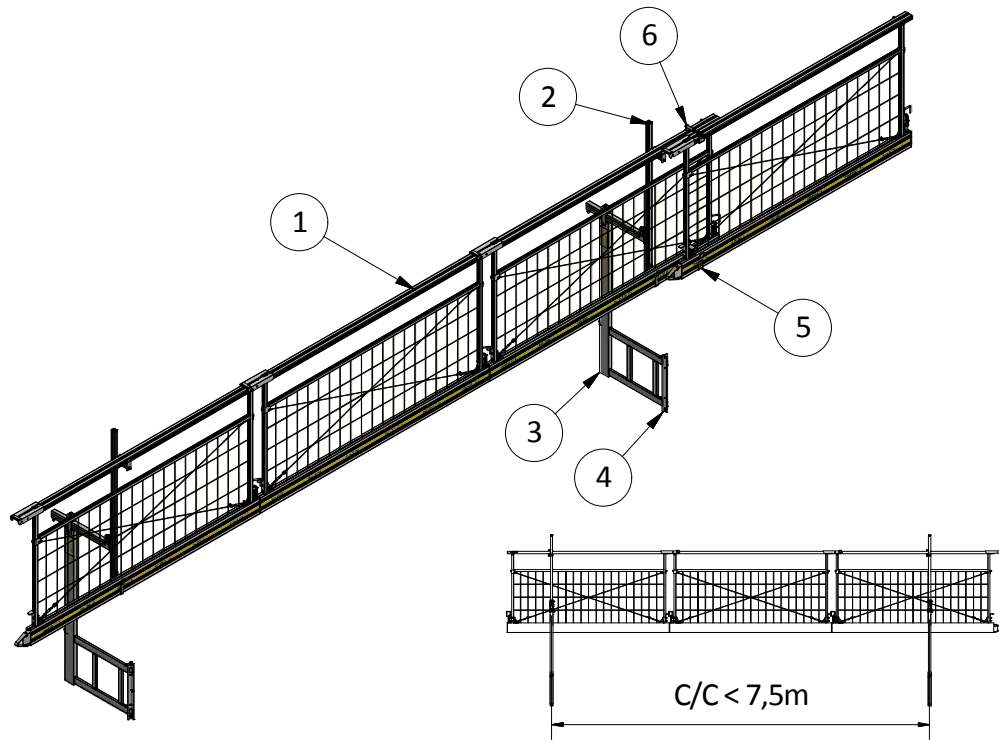


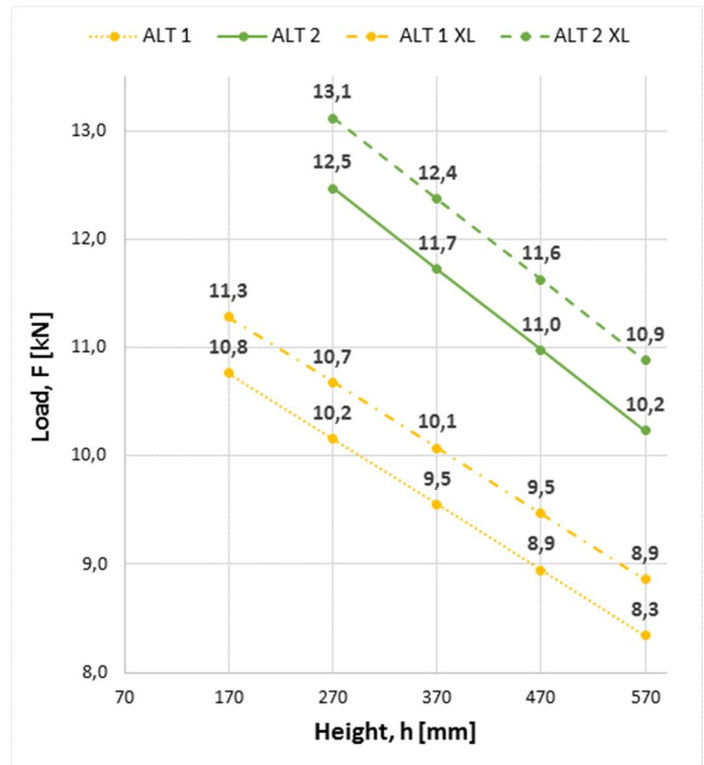
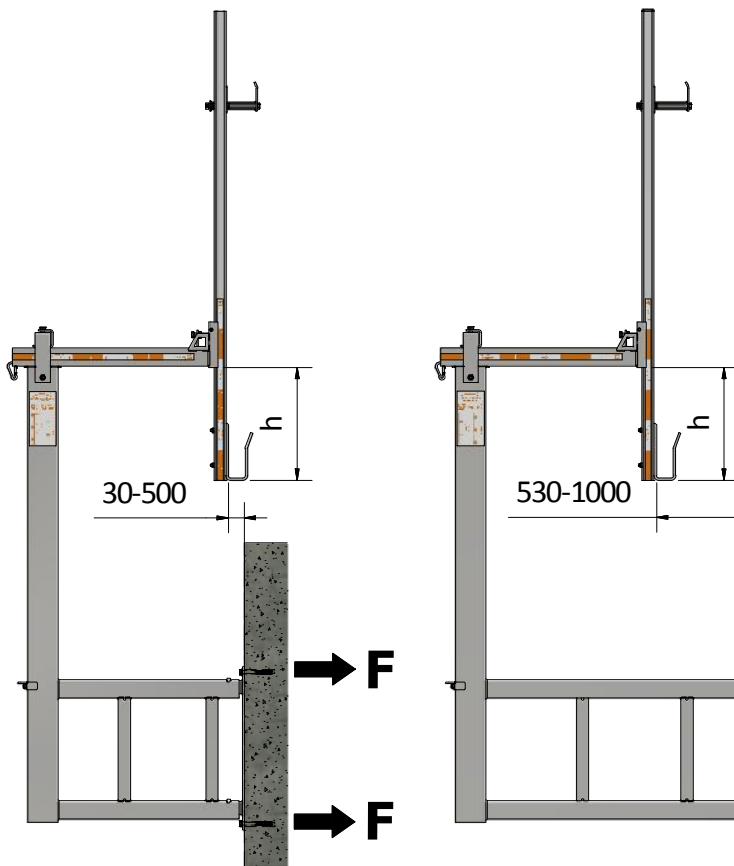
I-GUIDE GUARDLITE MAXI



EN 13374-A-B
Max c/c 7,5 m
[mm]

ITEM	QTY	ART. NO
1	4	9-720-14-001
2	2	9-720-14-030
3	2	9-720-14-052
(3)	1	(9-720-14-140)
4	2	9-720-14-070
(4)	(2)	(9-720-14-122)
(4)	(2)	(9-720-14-123)
5	1	9-720-14-130
6	1	9-720-14-134

ALT 1: C/C = 0m - 6m -> h: MIN 170, MAX 570
ALT 2: C/C = 6m - 7,5m -> h: MIN 270, MAX 570

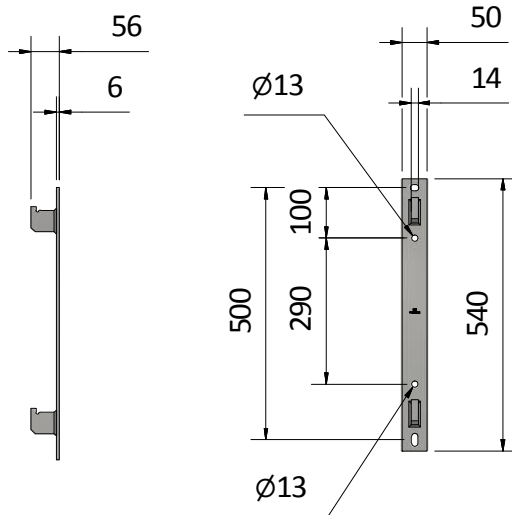


DETAILS & DIMENSIONS

GUARDLITE MAXI WALL ATTACHMENT

9-720-14-070

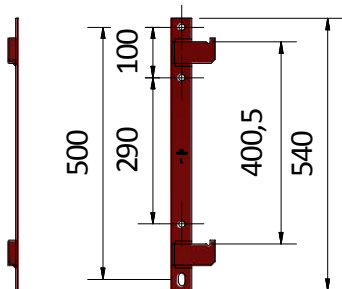
1,7 kg



G.L. MAXI SIDE ATTACHMENT LEFT

(9-720-14-122)

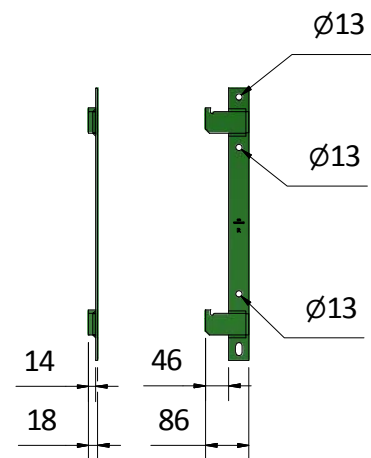
1,4 kg



G.L. MAXI SIDE ATTACHMENT RIGHT

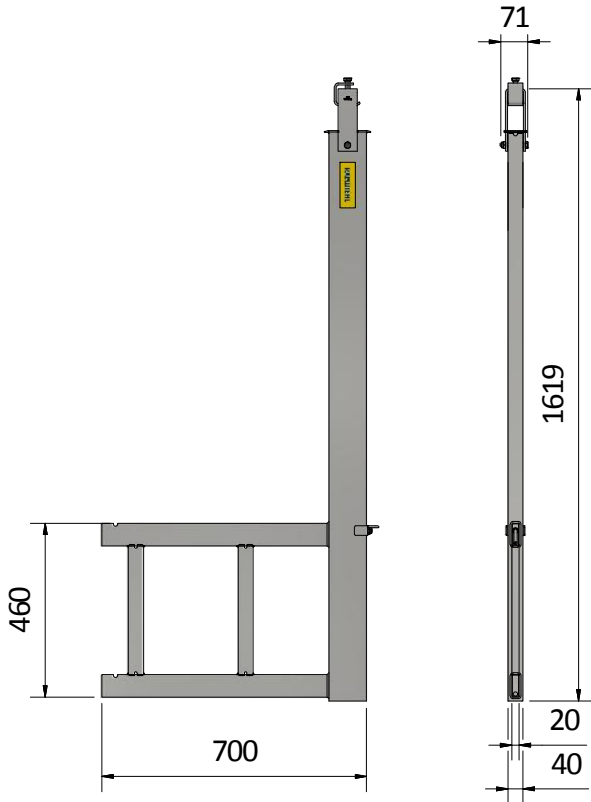
(9-720-14-123)

1,4 kg

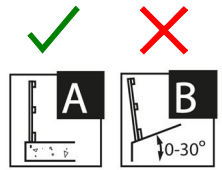
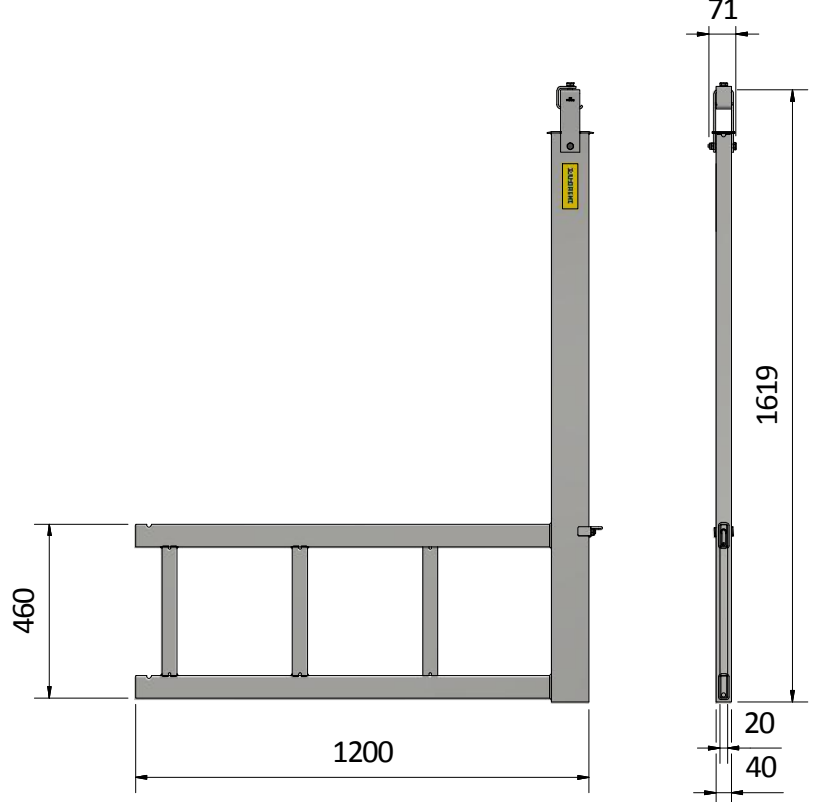


DETAILS & DIMENSIONS

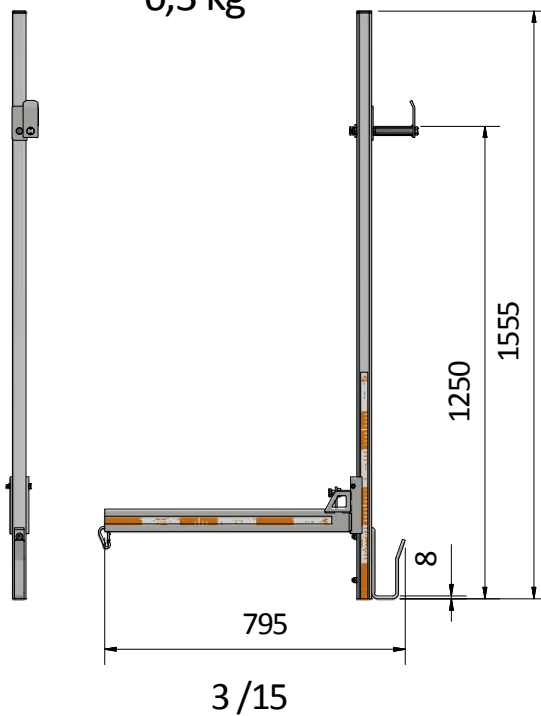
GUARDLITE MAXI FIXING POST
 9-720-14-052
 12,5 kg



GUARDLITE MAXI FIXING POST XL
 9-720-14-140
 16 kg

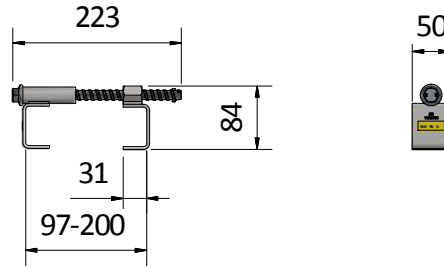
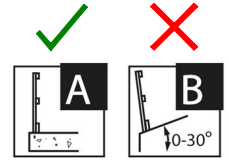


GUARDLITE MAXI ADJ. POST
 9-720-14-030
 6,3 kg

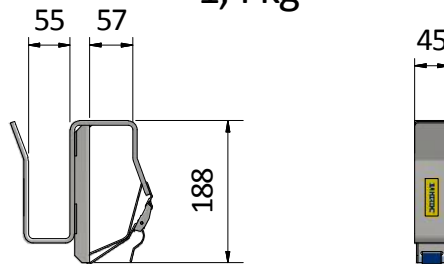
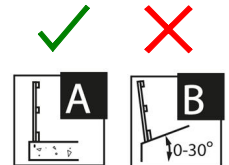


DETAILS & DIMENSIONS

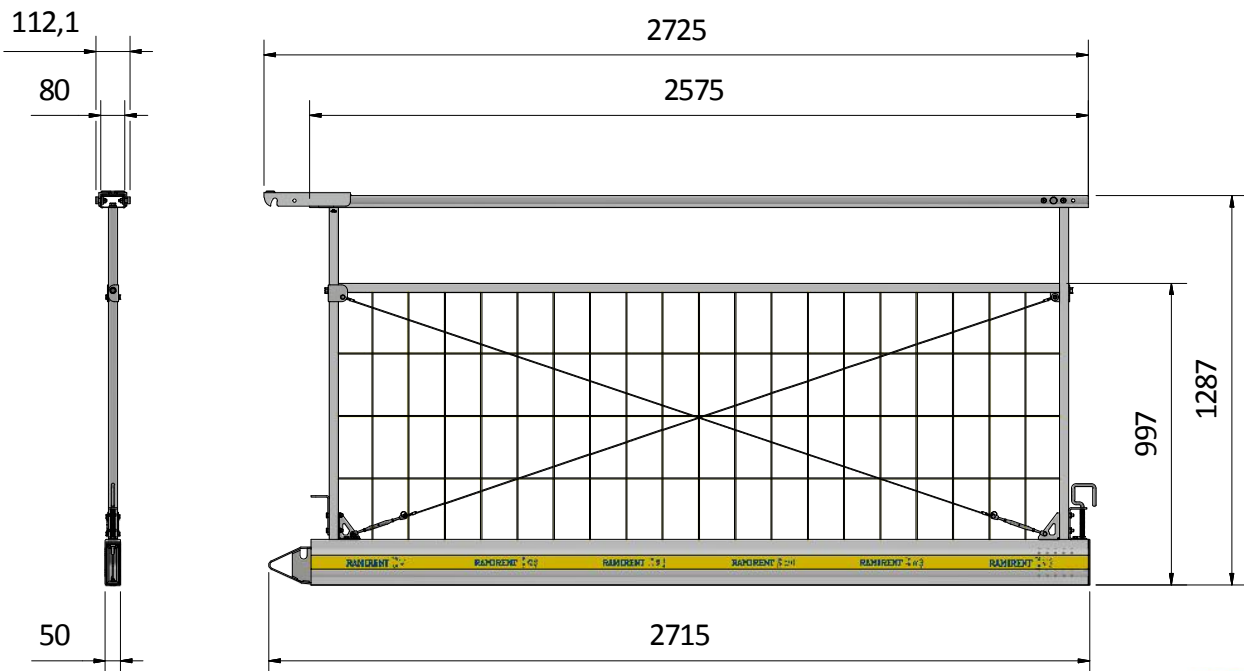
GUARDLITE MAXI OVERLAP UPPER ATTACHMENT
 9-720-14-134
 0,8 kg



GUARDLITE MAXI OVERLAP LOWER ATTACHMENT
 9-720-14-130
 1,4 kg

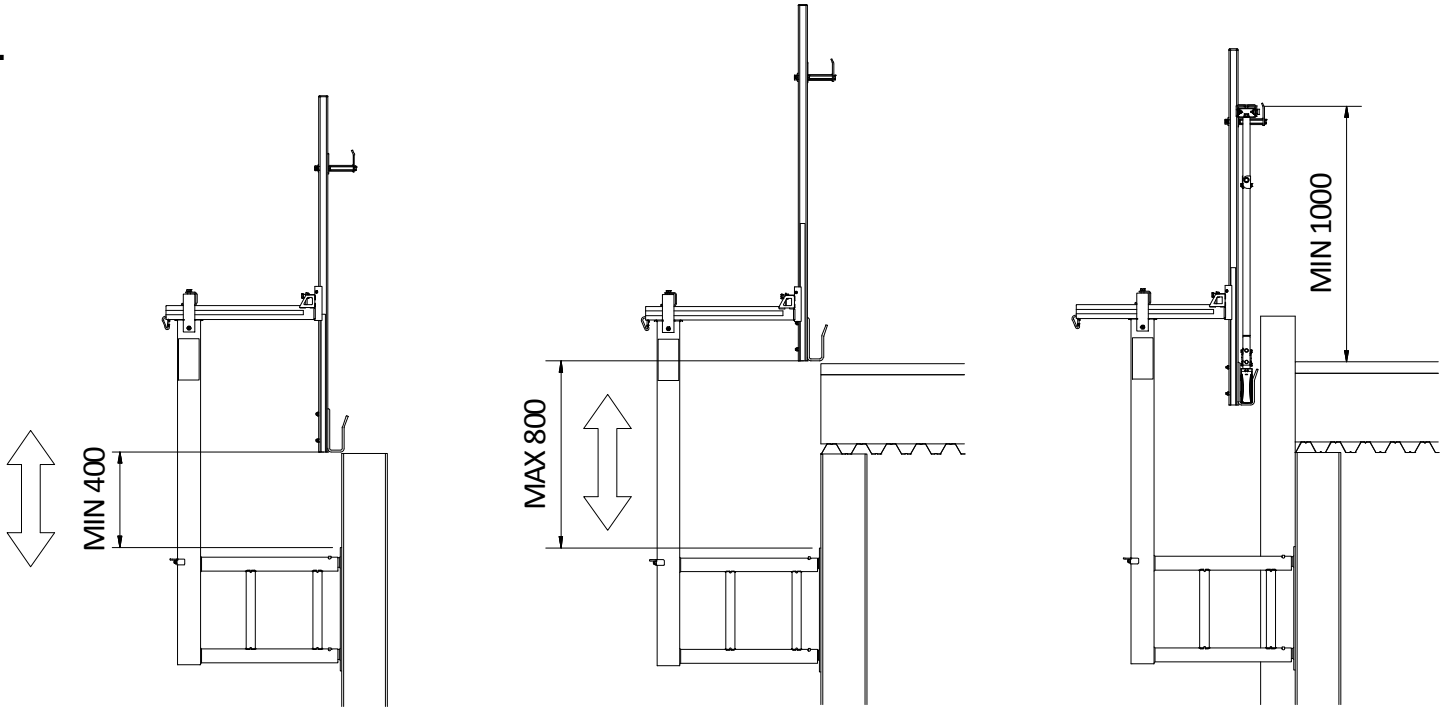


GUARDLITE MAXI PANEL
 9-720-14-001
 20 kg

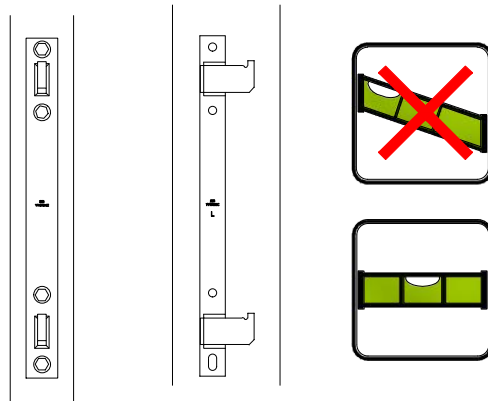


MOUNTING WALL ATTACHMENT

1.



2a.



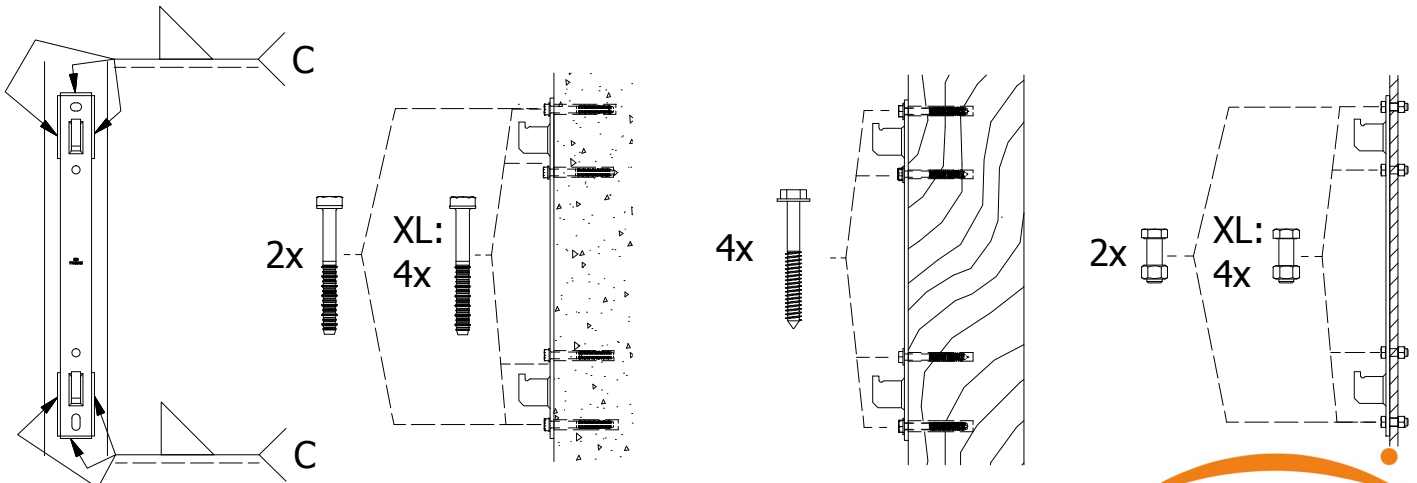
2b.

ALT 1a.

ALT 1b.

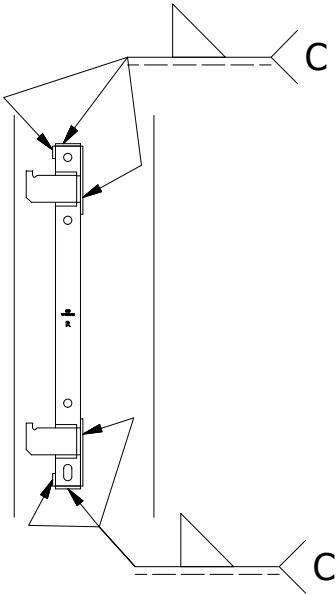
ALT 1c.

ALT 1d.

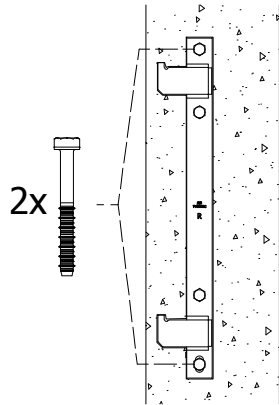


2b.

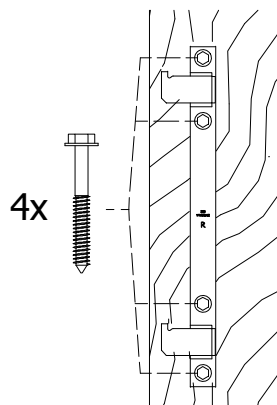
ALT 2a.



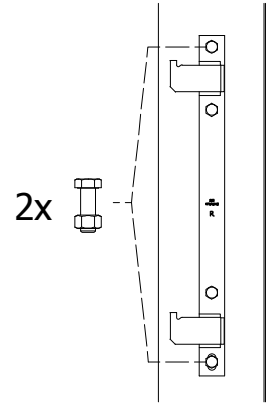
ALT 2b.



ALT 2c.

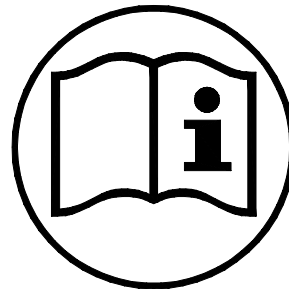
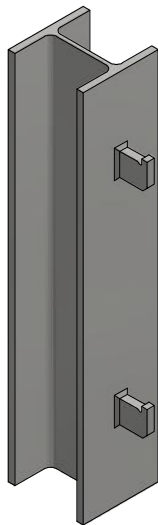


ALT 2d.



2b.

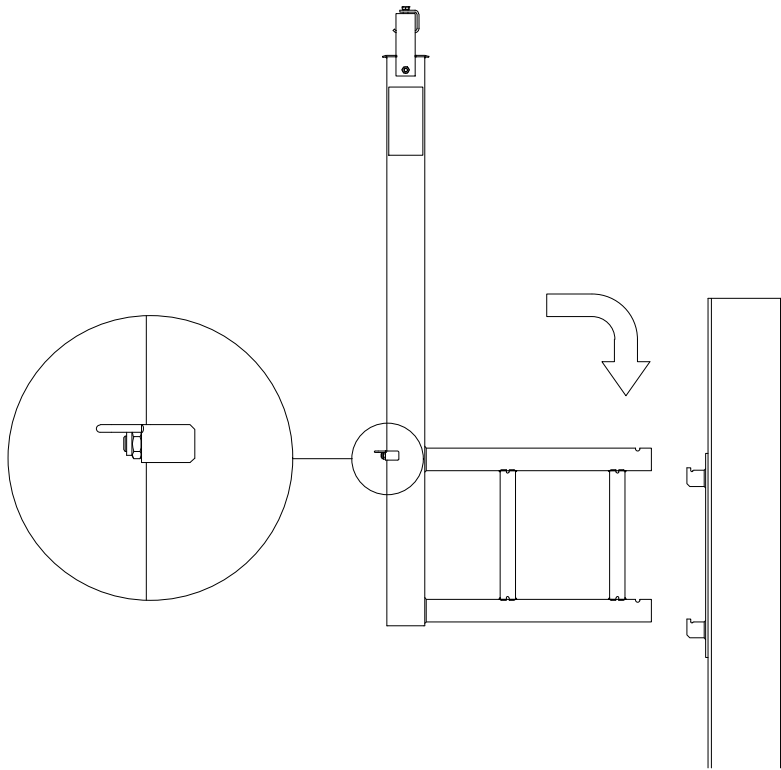
ALT 3



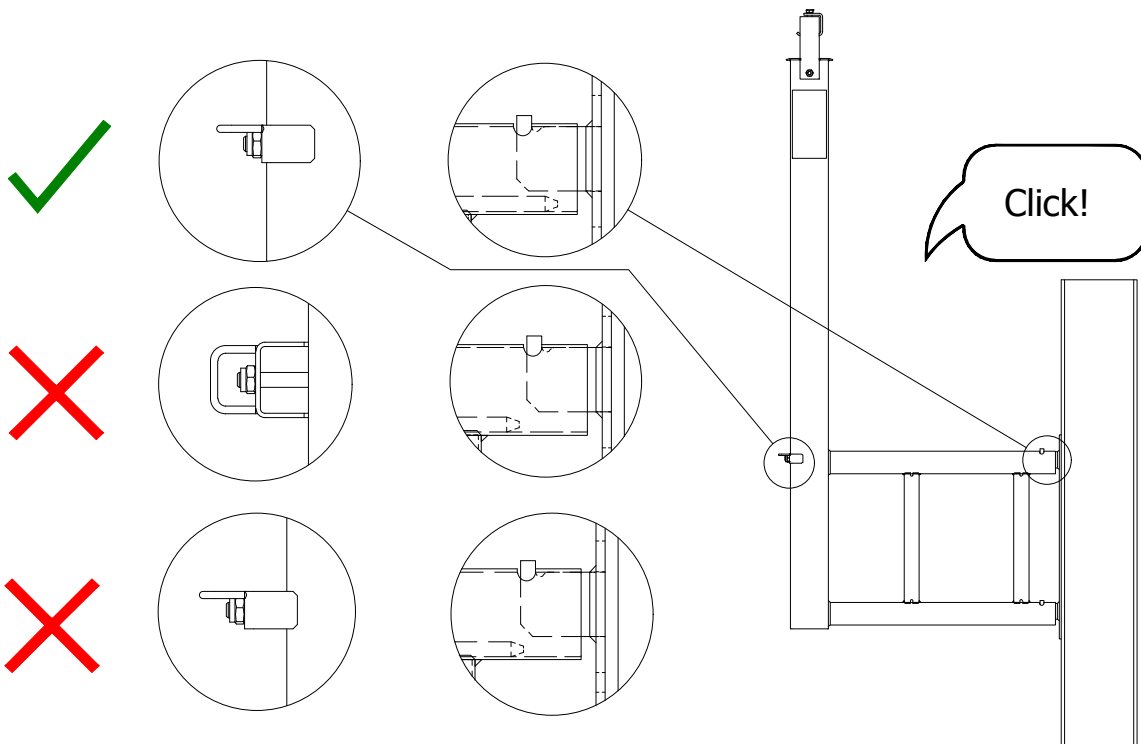
I-Guide GuardLite
Maxi Welding Jig

MOUNTING FIXING POST

1.

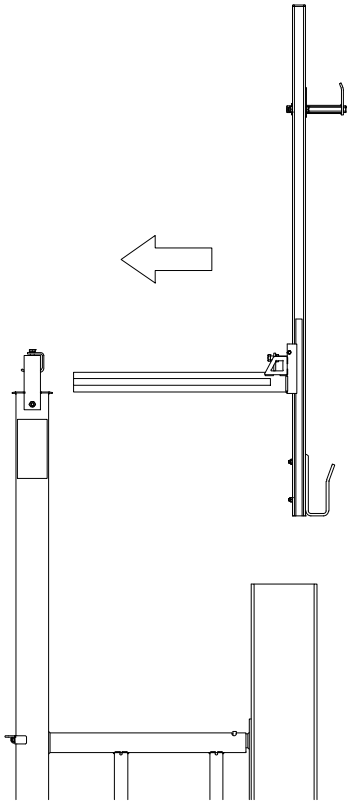


2.

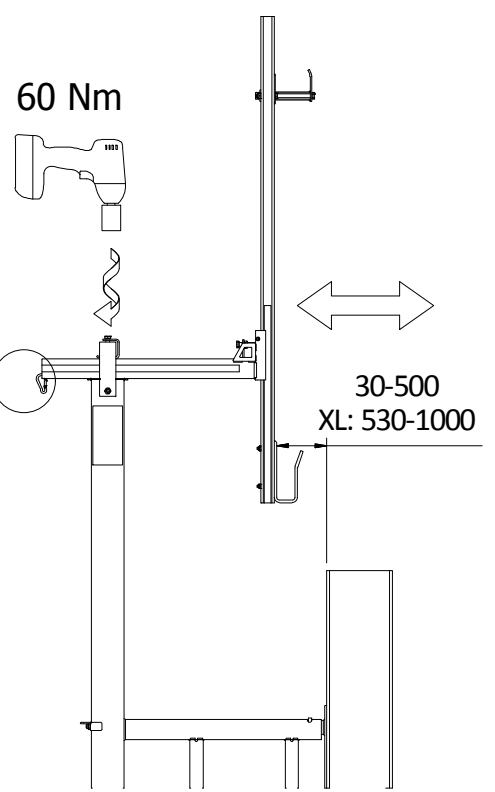


MOUNTING ADJUSTABLE POST

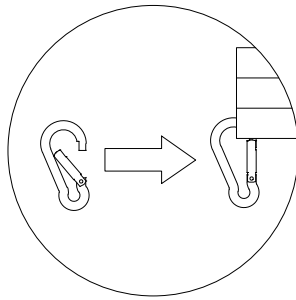
1 a.



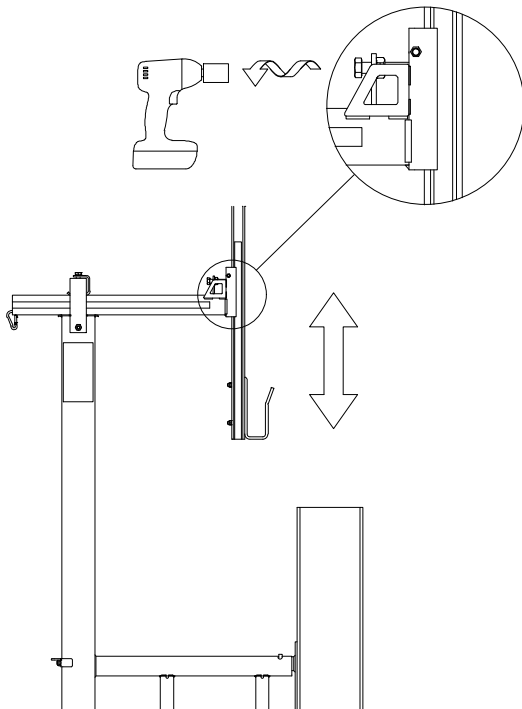
1c.



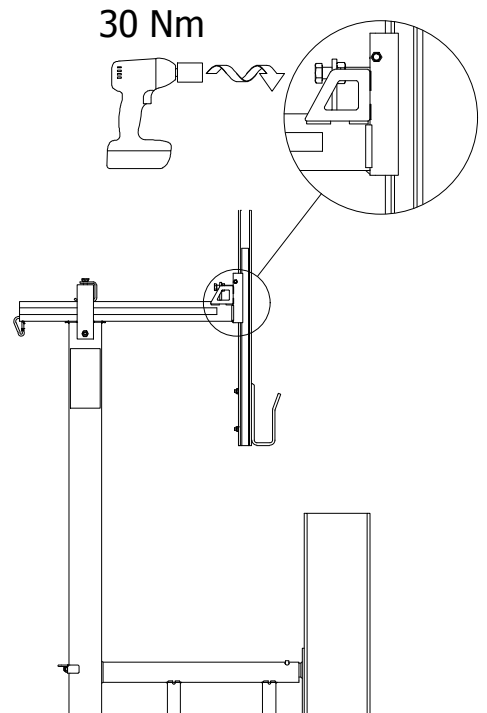
1b.



2a.



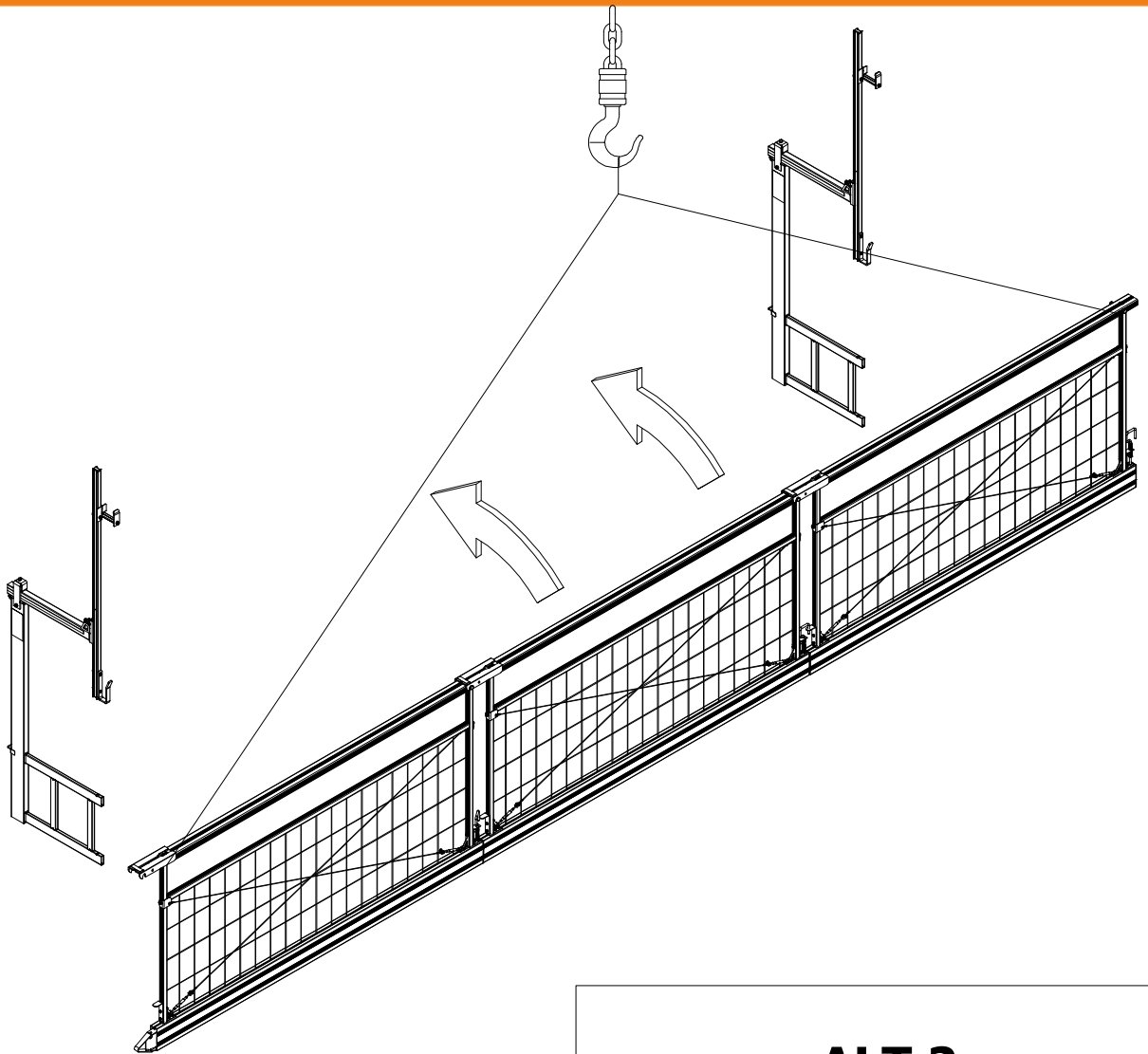
2b.



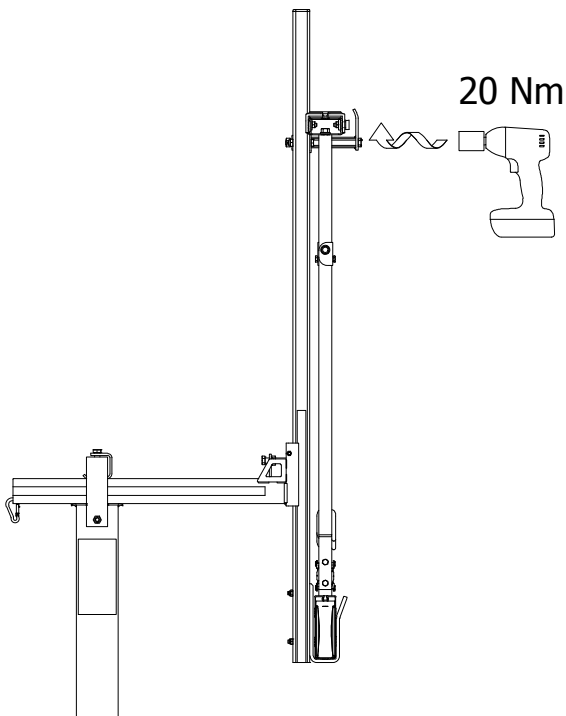
MOUNTING FIRST BAY

ALT 1

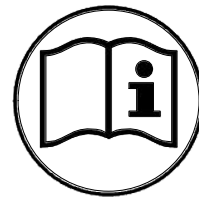
1.



2.



ALT 2

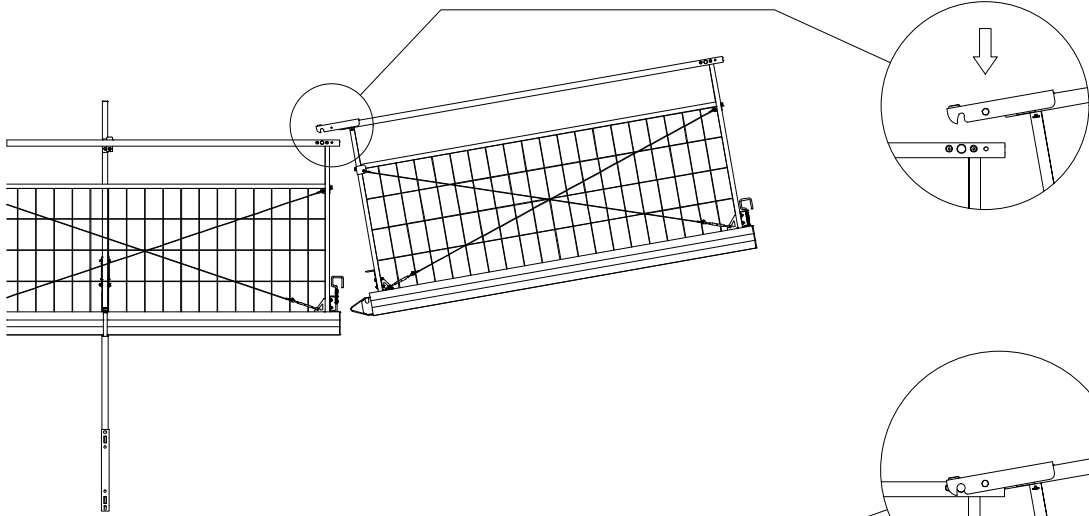


IG-GuardLite Maxi Mounting Aid

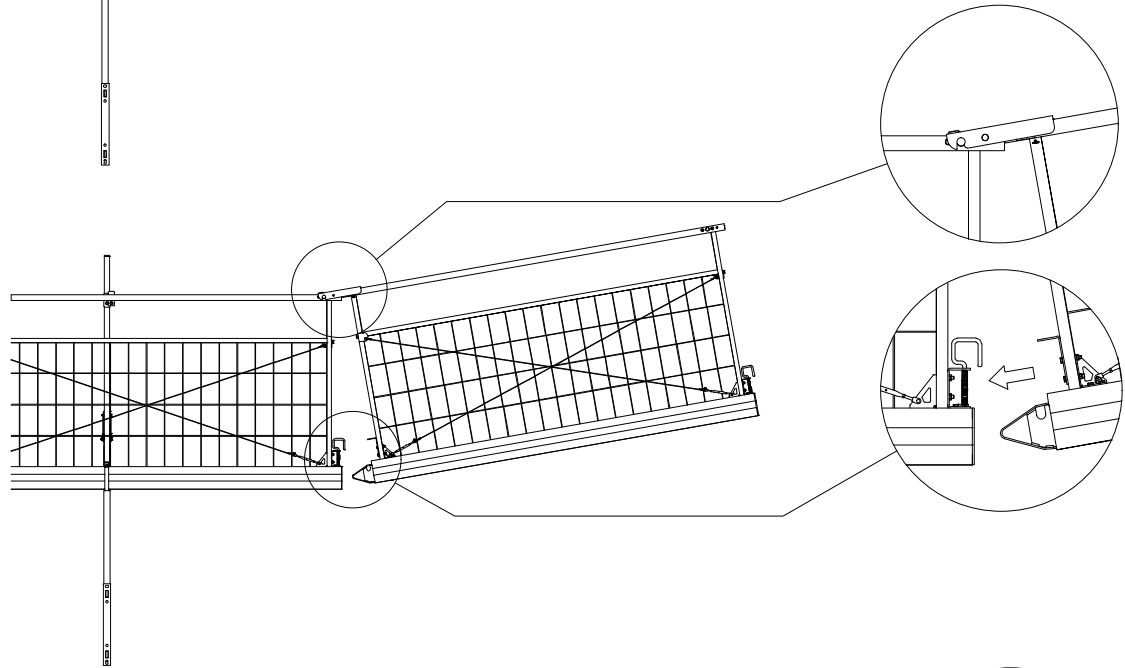


MOUNTING PANELS

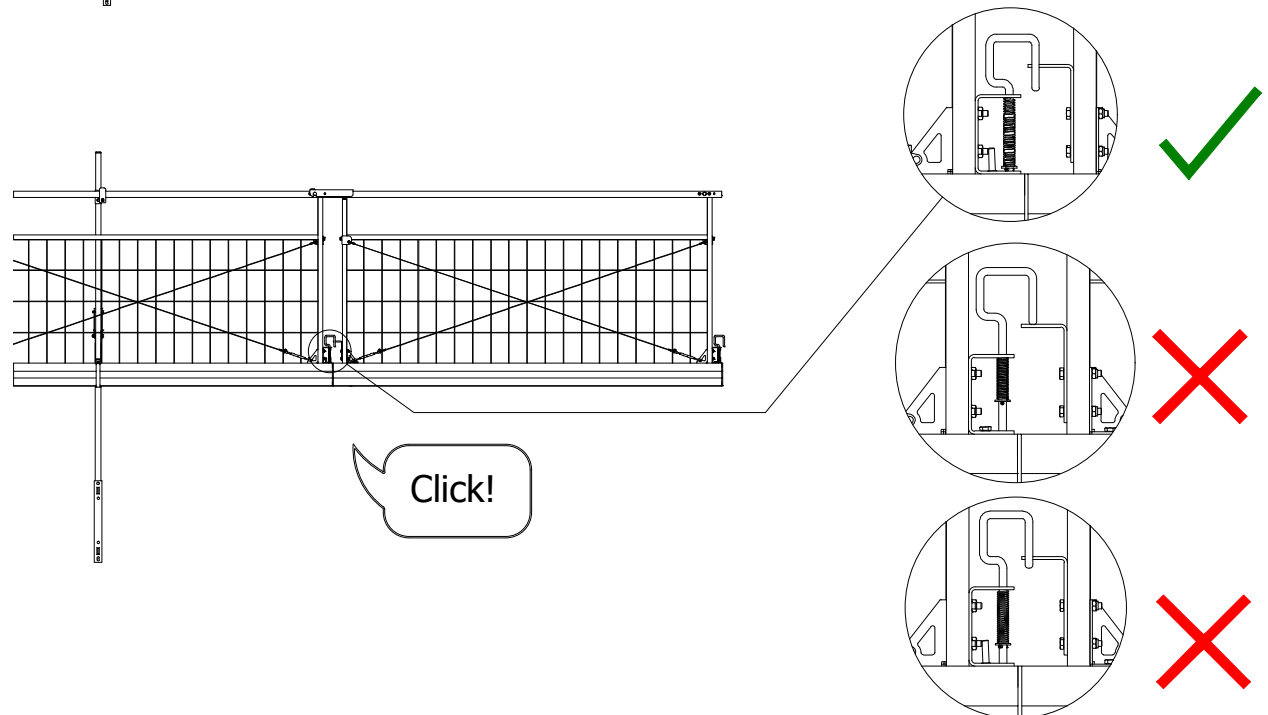
1a.



1b.

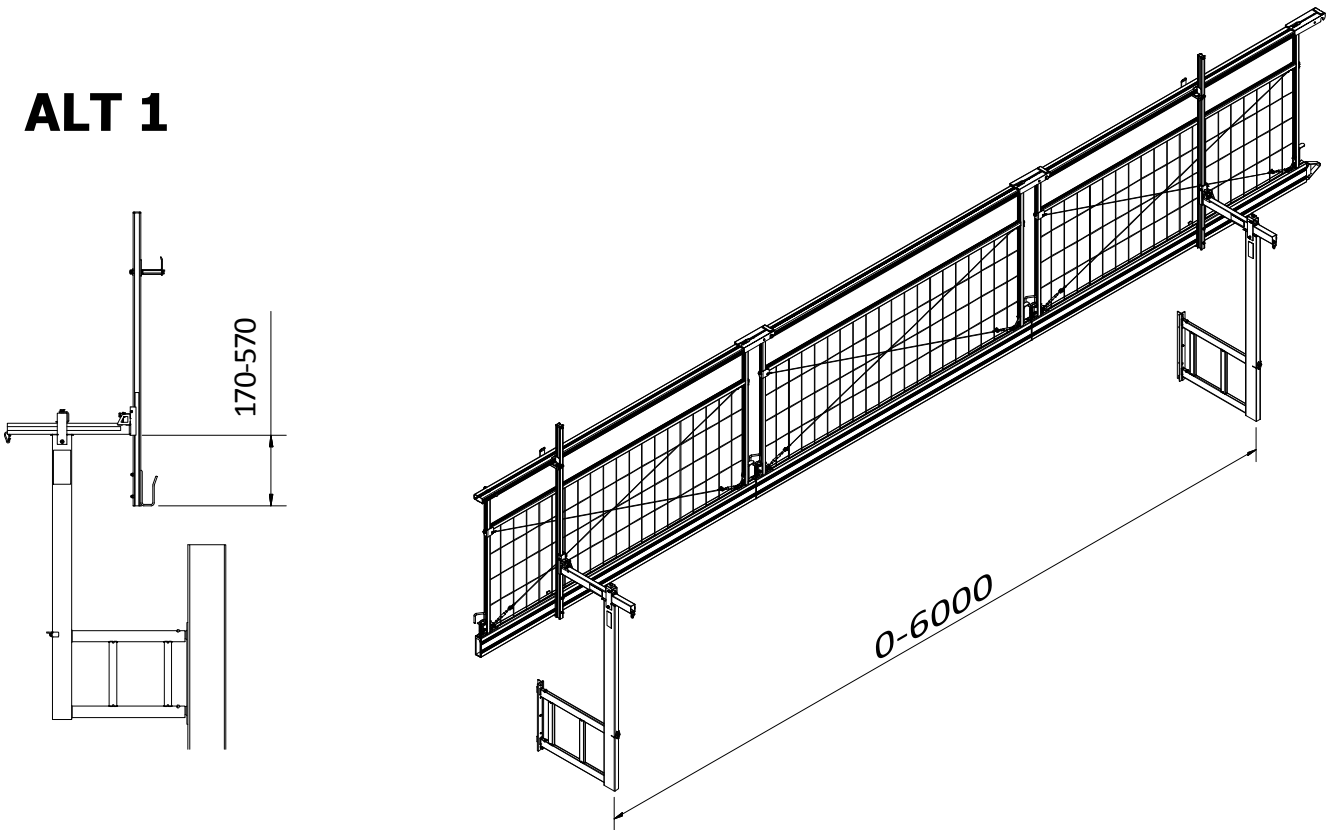


1c.

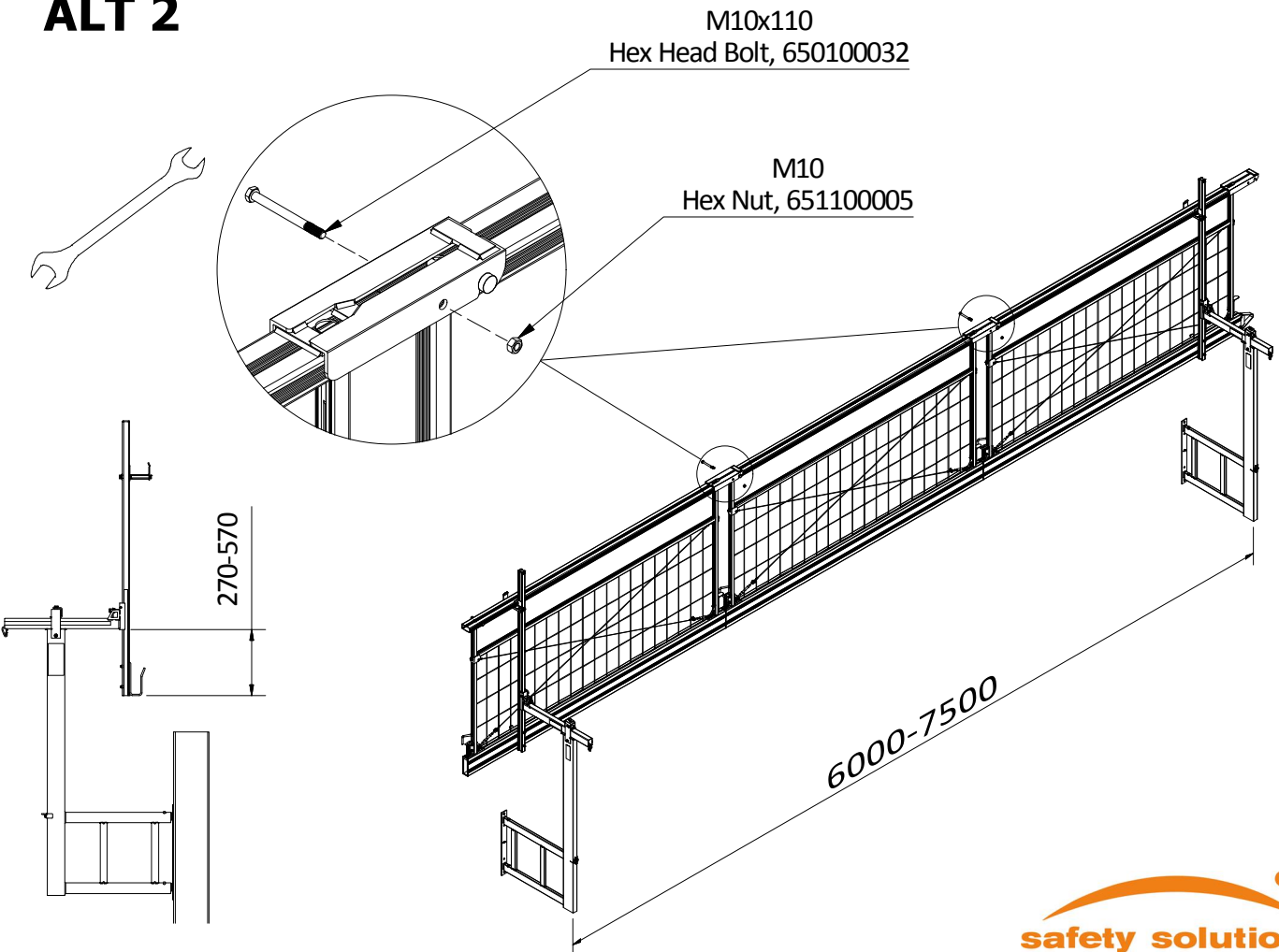


C/C ALTERNATIVES

ALT 1

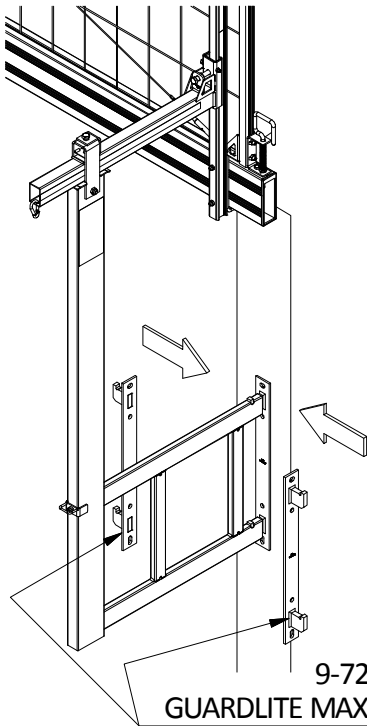


ALT 2

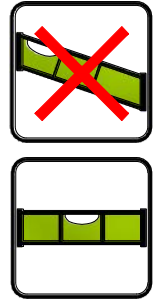
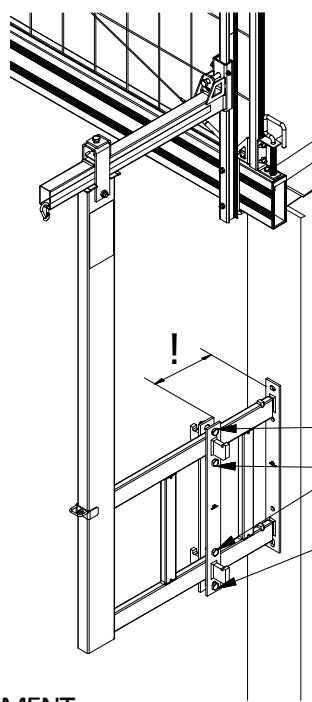


CORNER ALTERNATIVE

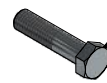
1.



2.



6-50-1-00056
ISO 4017 - M12 x 50 (WAF 18)



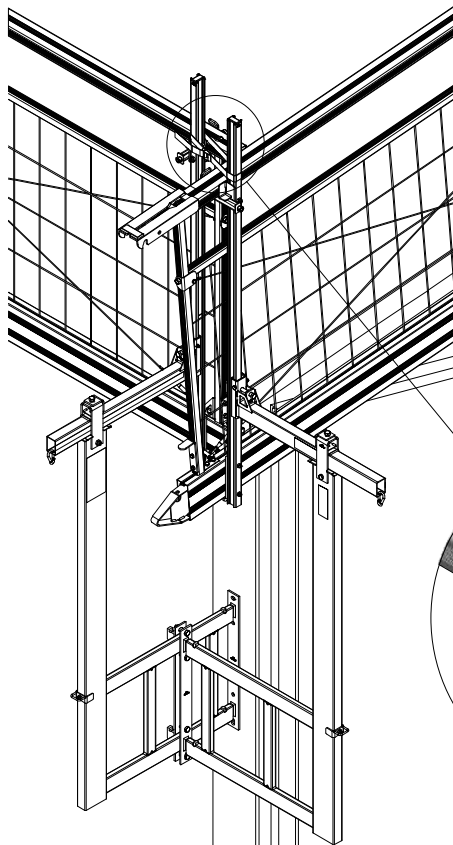
4x

6-51-1-00003
ISO 4032 - M12x10,8 (WAF 18)

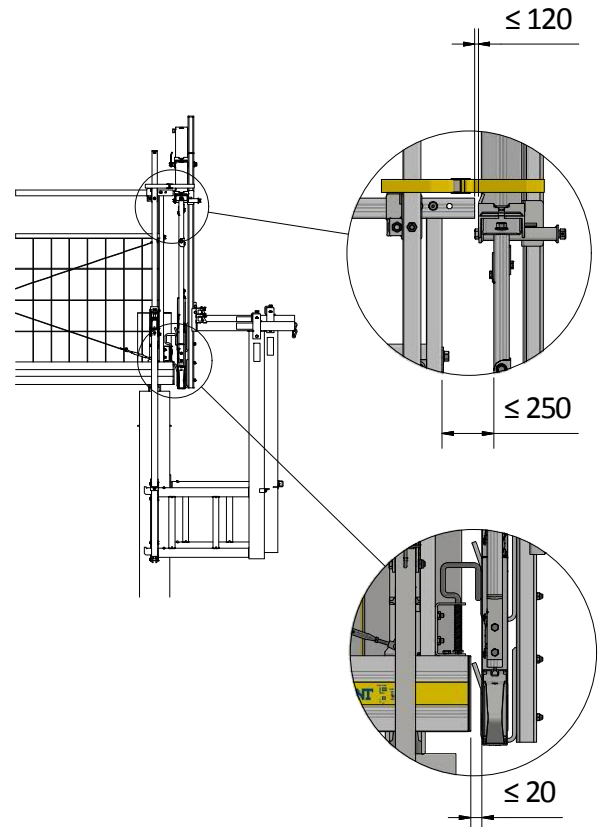
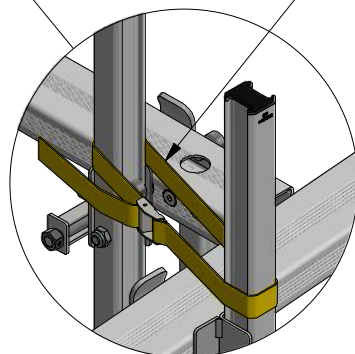


3. S. 7-11: mounting posts and panels

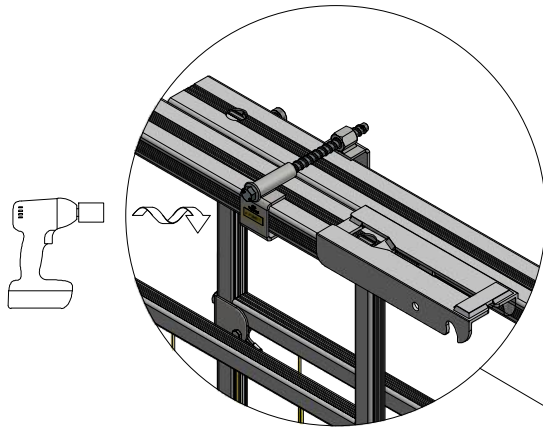
4.



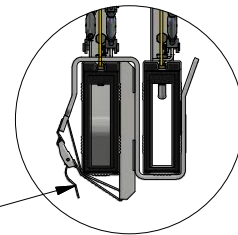
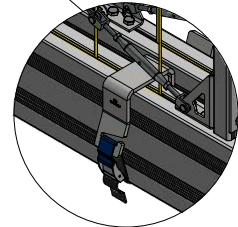
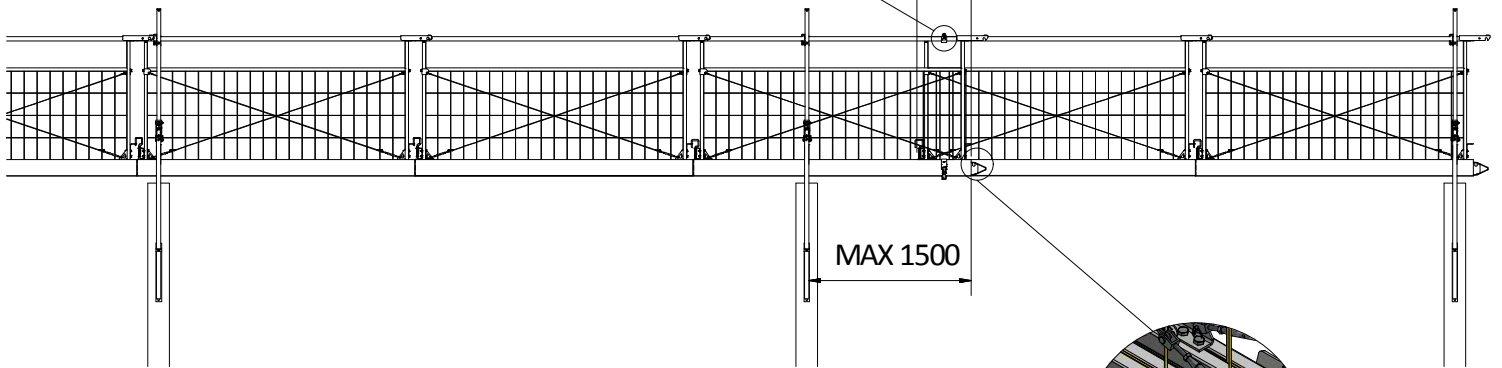
9-70-000005
STRAP W25 L800



OVERLAP

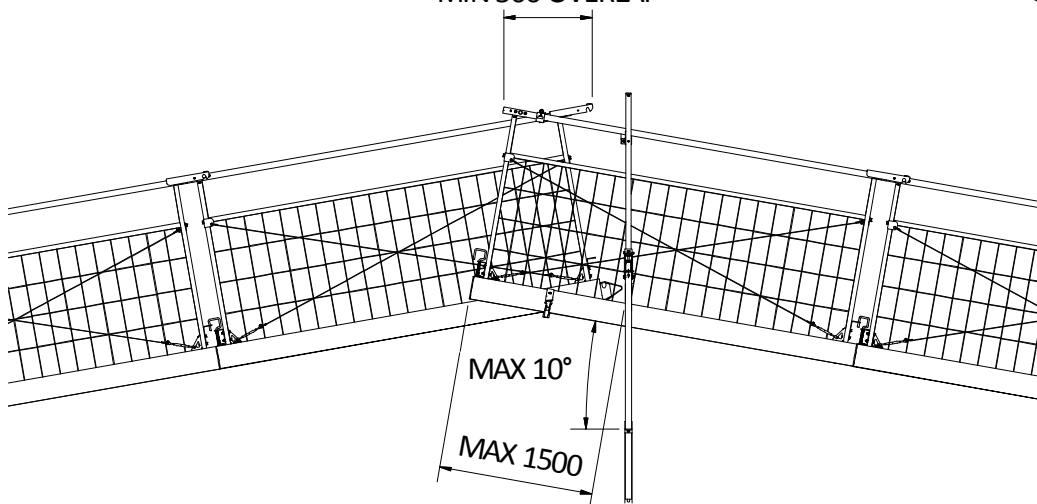


MIN 500 OVERLAP

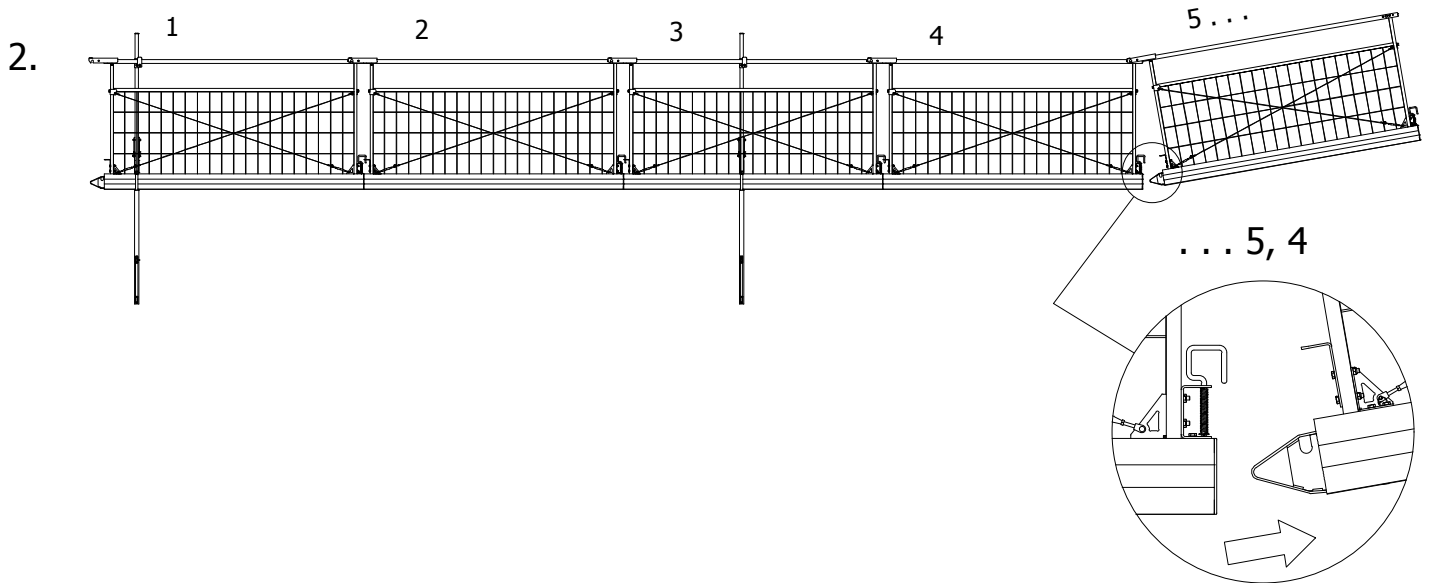
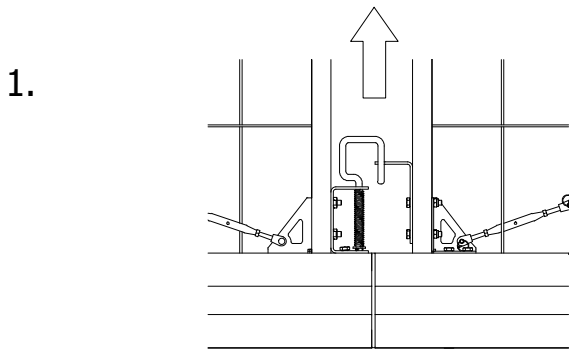


USE STRAP!

MIN 500 OVERLAP

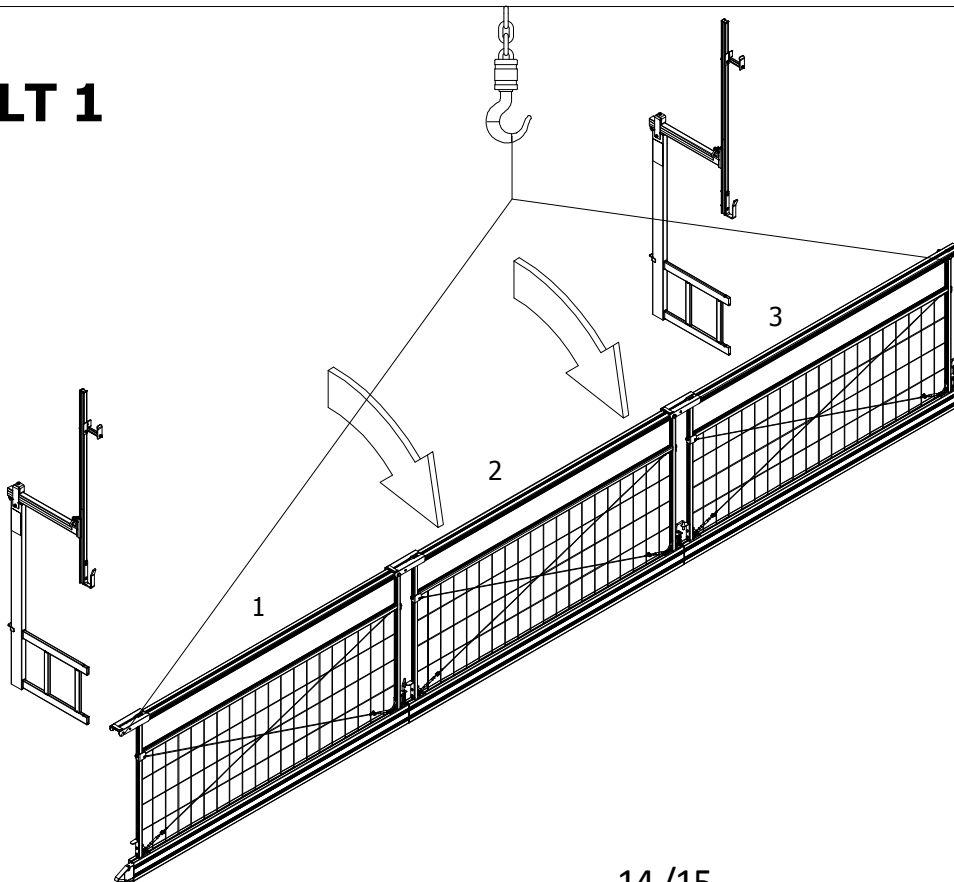


DEMOUNTING



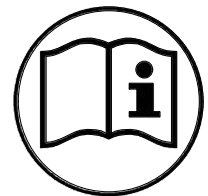
ALT 1

3.



ALT 2

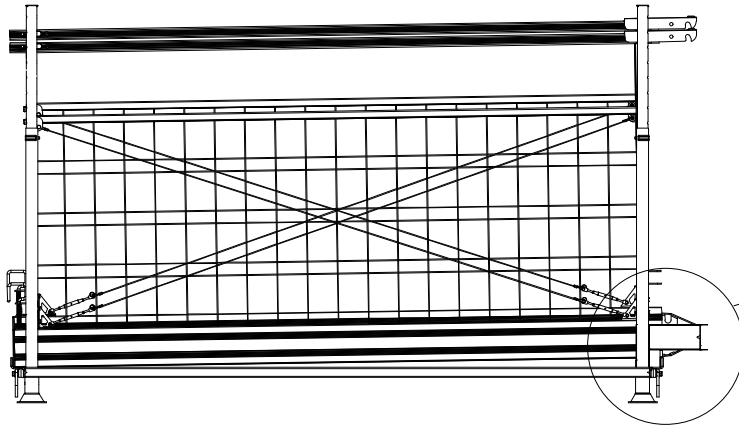
3.



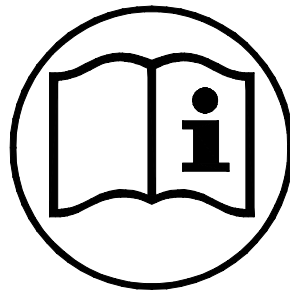
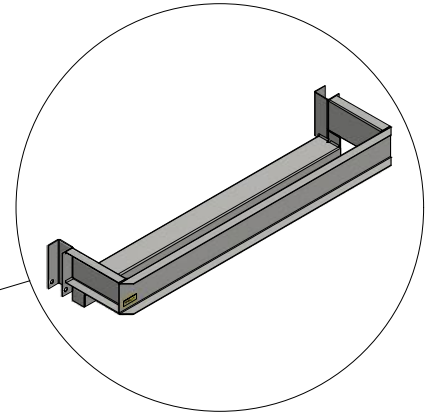
IG-GuardLite Maxi
Mounting Aid

PACKING

PANEL BOX
9-70-000013
65 kg



PANEL BOX EXTENSION BRACKET
9-70-000135
6,6 kg



I-Guide Panel Box