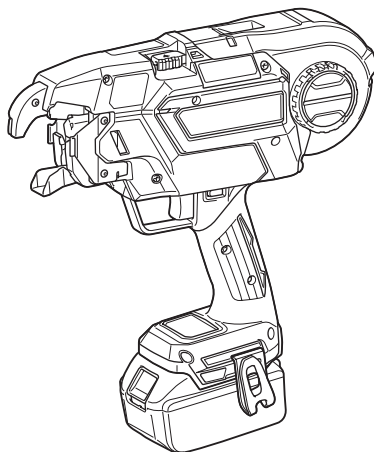




EN	Cordless Rebar Tying Tool	INSTRUCTION MANUAL	11
SV	Trådlöst bindverktyg för armeringsjärn	BRUKSANVISNING	20
NO	Batteridrevet verktøy til binding av armeringsjern	BRUKSANVISNING	30
FI	Akkukäyttöinen raudoituksen sidontakone	KÄYTTÖOHJE	40
DA	Akku maskine til binding af armeringsjern	BRUGSANVISNING	49
LV	Bezvada stiegru apsiešanas darbarīks	LIETOŠANAS INSTRUKCIJA	59
LT	Belaidis armatūros strypų rišimo įrankis	NAUDOJIMO INSTRUKCIJA	69
ET	Juhtmevaba sarrusevarraste sidumistööriist	KASUTUSJUHEND	79
RU	Аккумуляторный Вязальщик Арматуры	РУКОВОДСТВО ПО ЭКСПЛУАТАЦИИ	88

DTR180



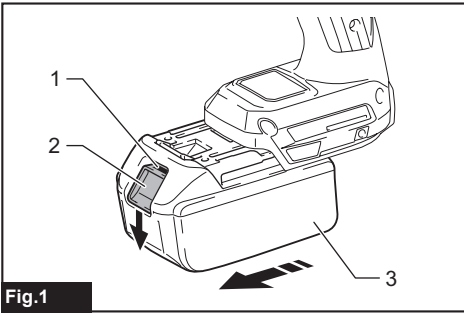


Fig.1

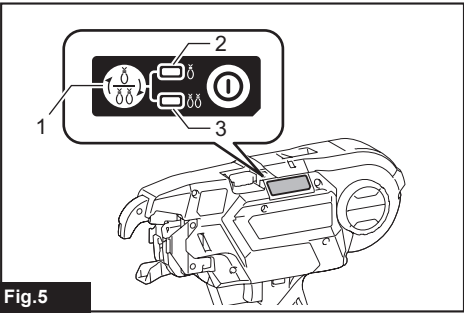


Fig.5



Fig.2

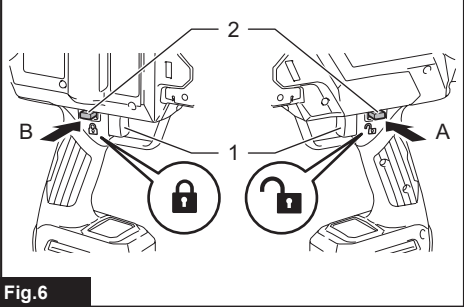


Fig.6



Fig.3



Fig.7

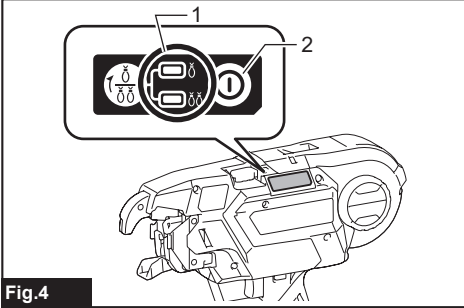


Fig.4

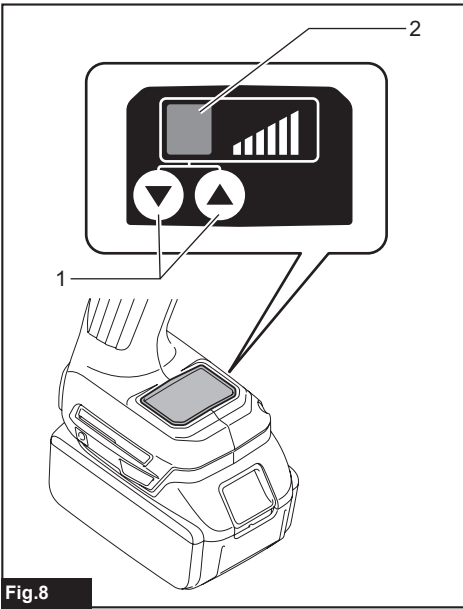


Fig. 8

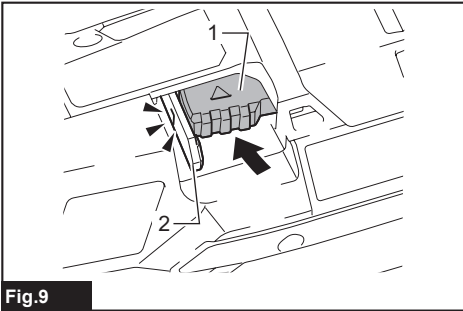


Fig. 9

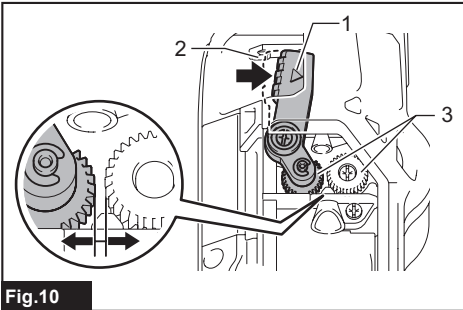


Fig. 10

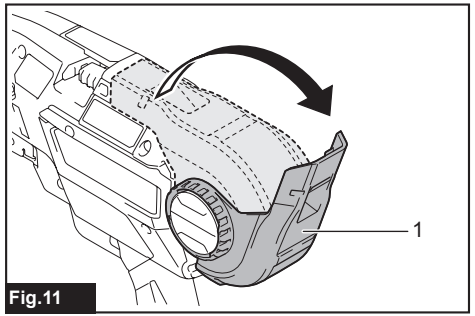


Fig. 11

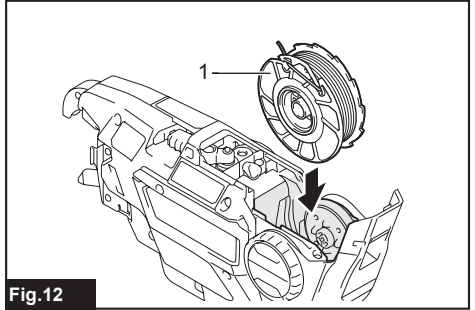


Fig. 12

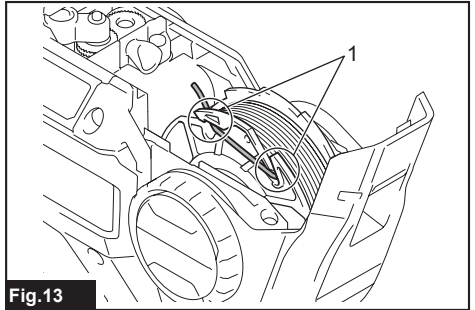


Fig. 13

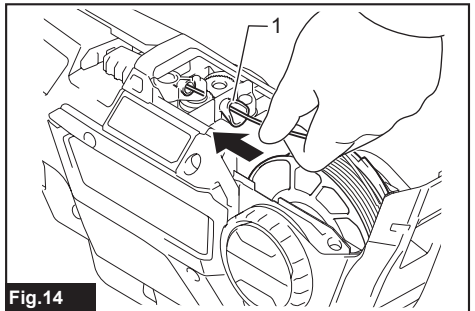


Fig. 14

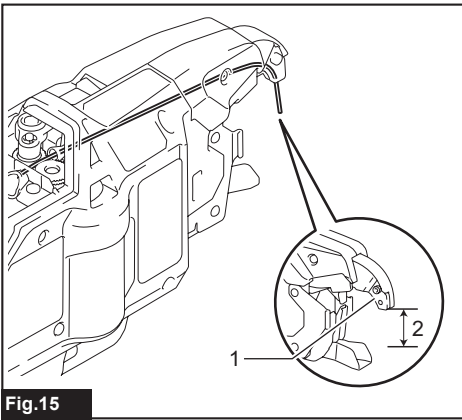


Fig.15

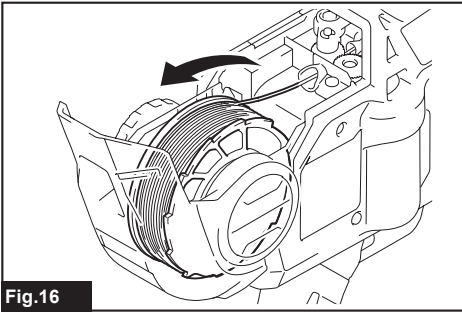


Fig.16

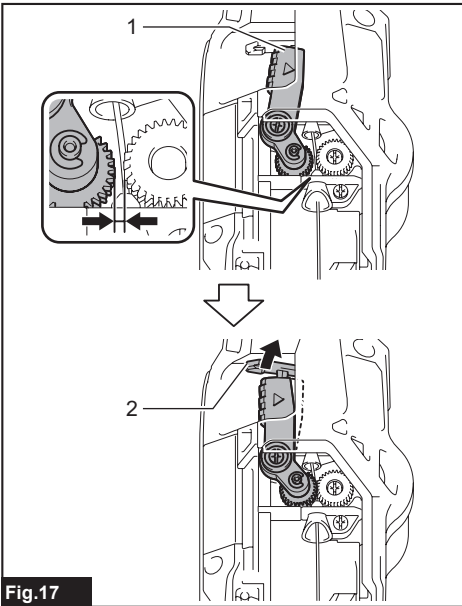


Fig.17

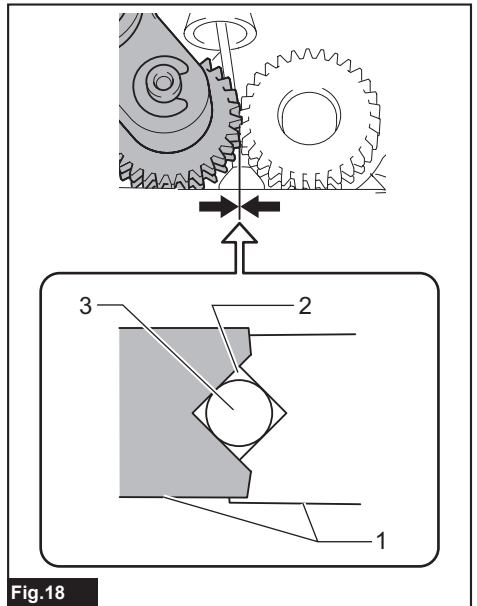


Fig.18

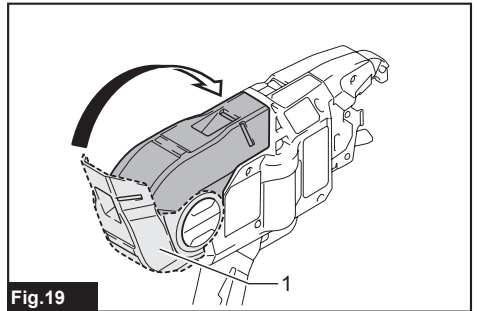


Fig.19

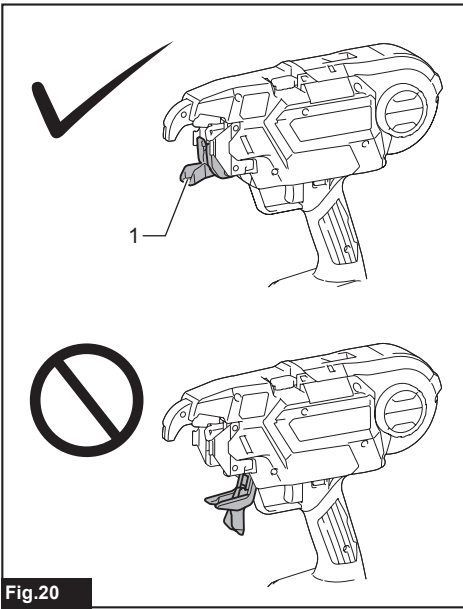


Fig.20



Fig.21

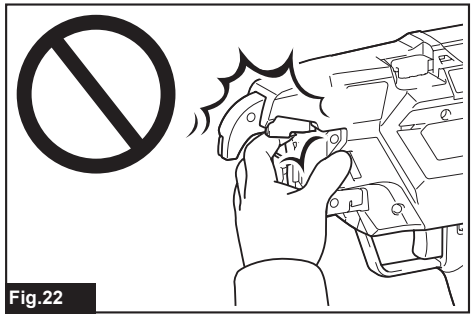


Fig.22

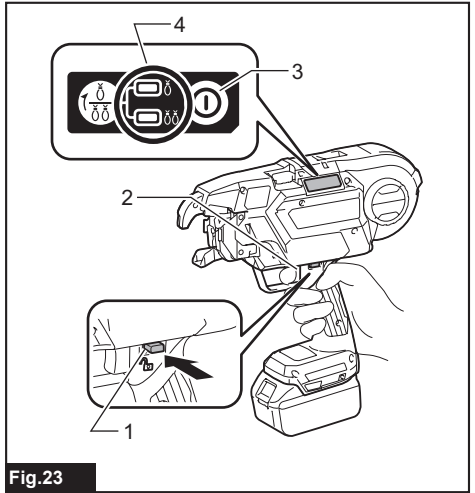


Fig.23

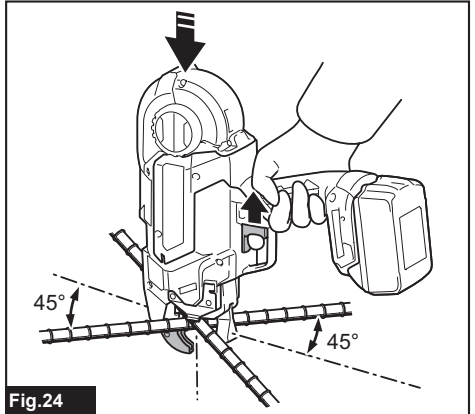


Fig.24

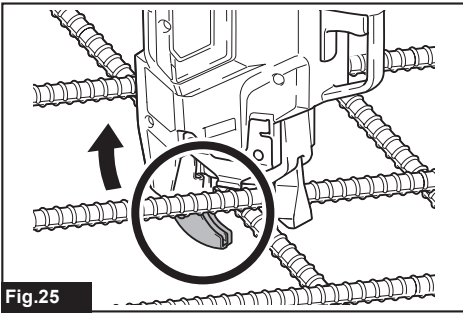


Fig. 25

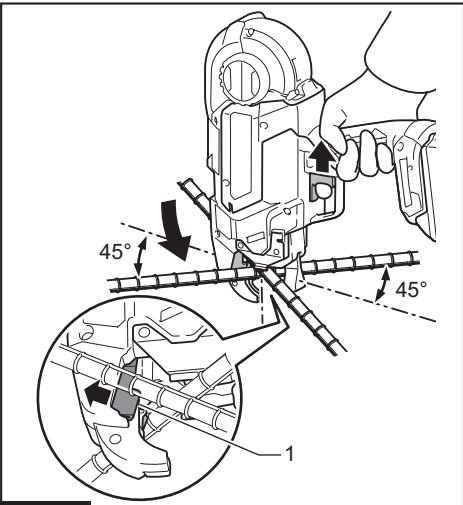


Fig. 28

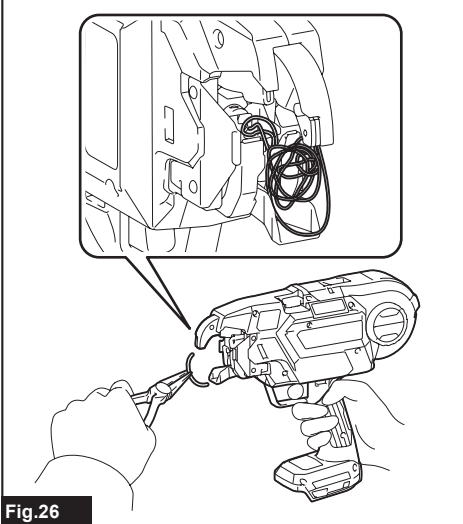


Fig. 26

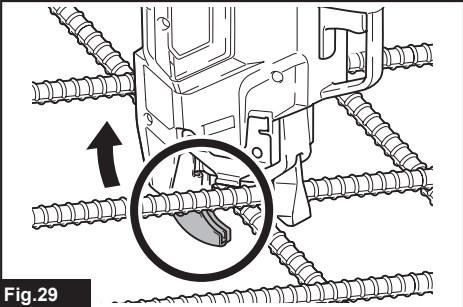


Fig. 29

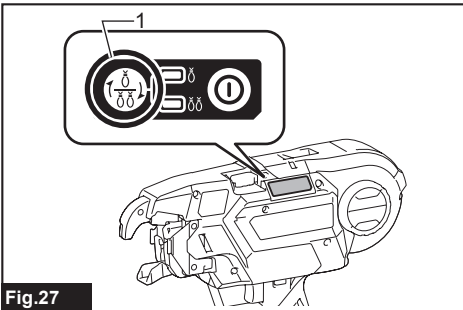


Fig. 27

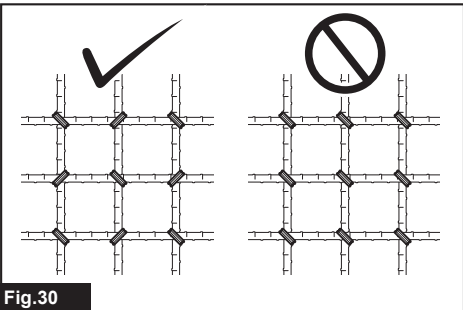


Fig. 30

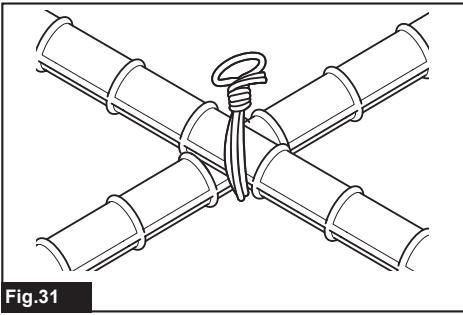


Fig.31

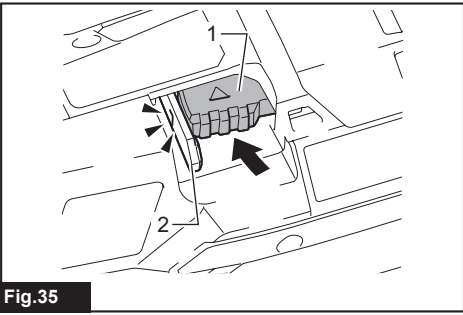


Fig.35

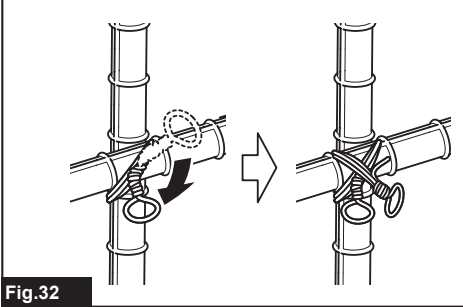


Fig.32

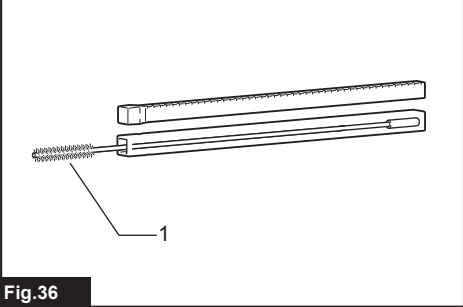


Fig.36

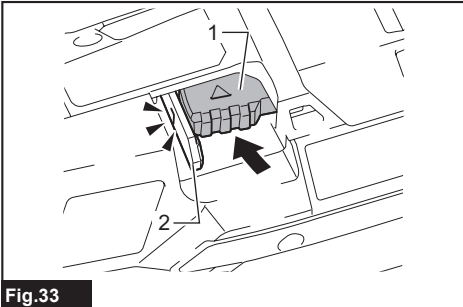


Fig.33

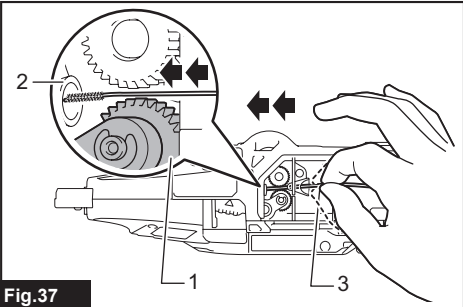


Fig.37

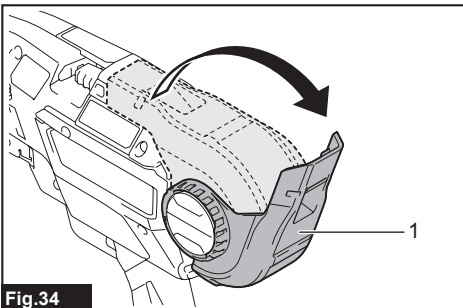


Fig.34

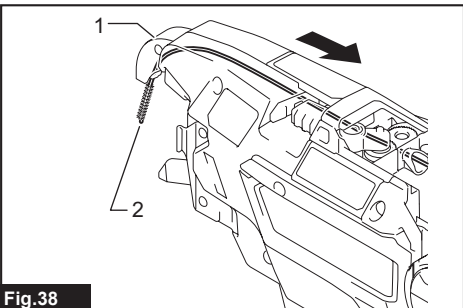
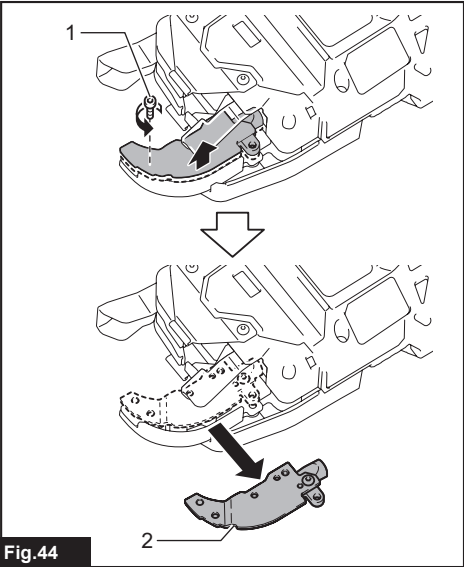
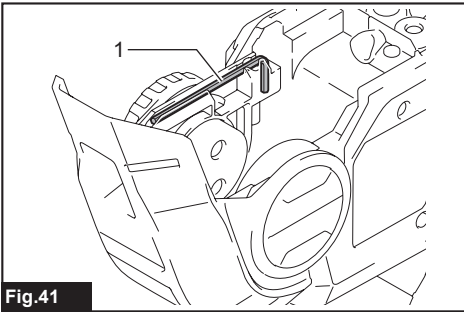
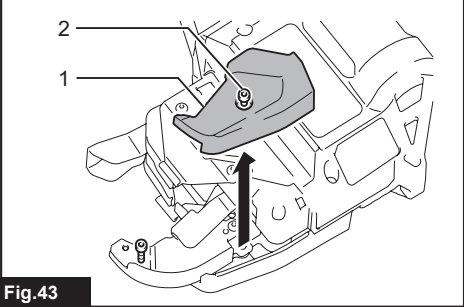
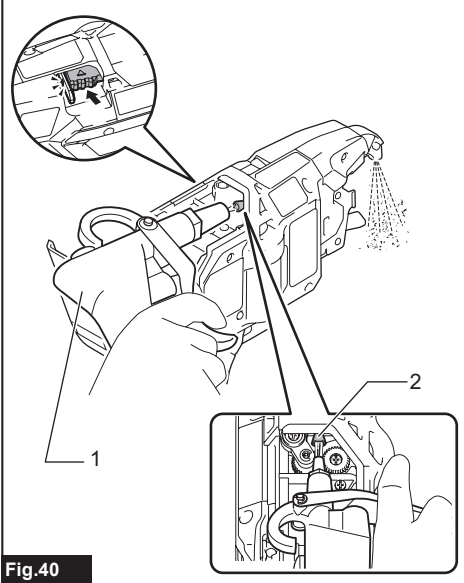
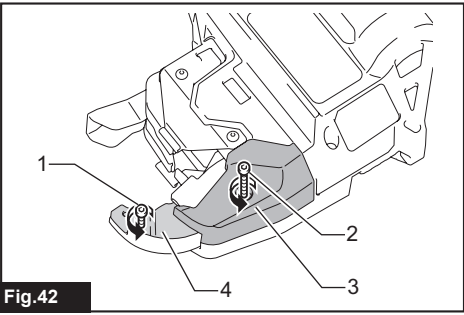
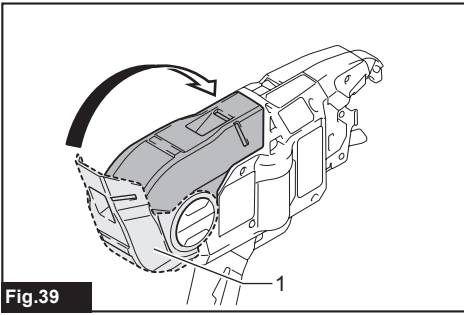


Fig.38



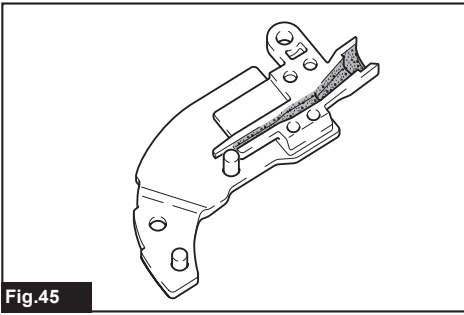


Fig.45

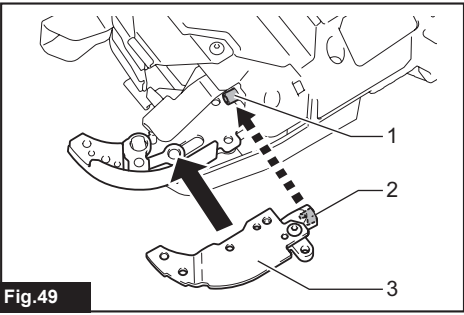


Fig.49

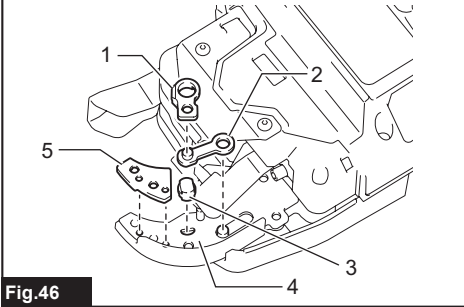


Fig.46

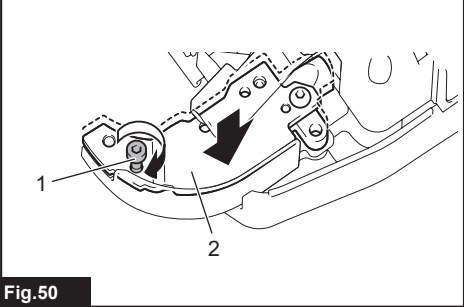


Fig.50

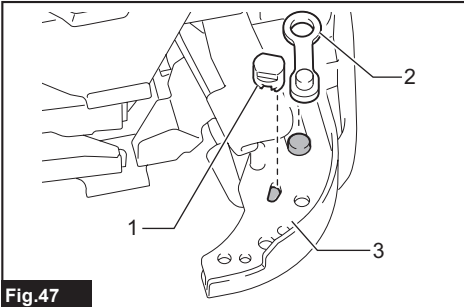


Fig.47

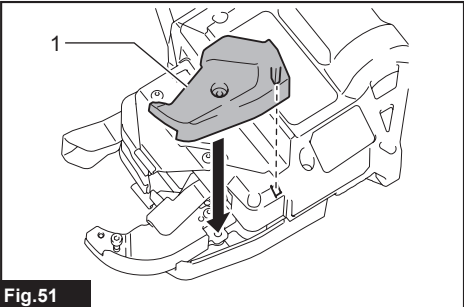


Fig.51

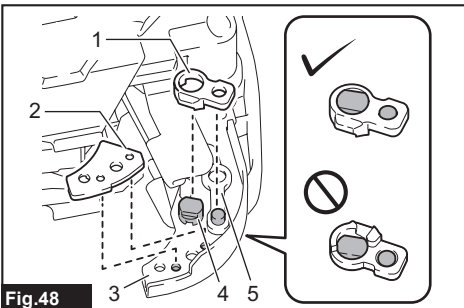


Fig.48

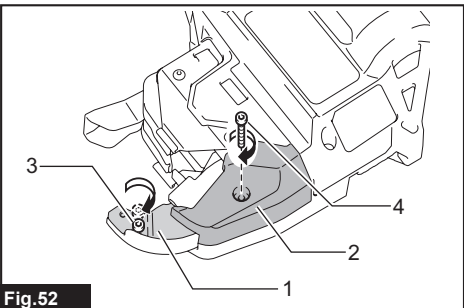
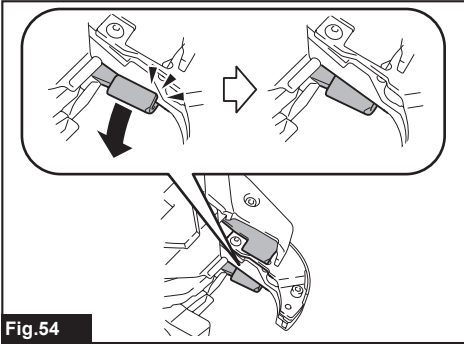
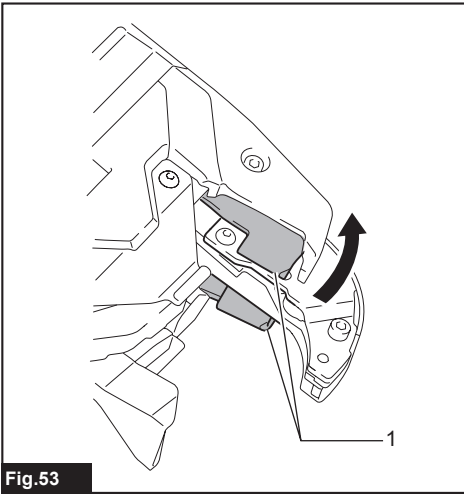


Fig.52



SPECIFICATIONS

Model:		DTR180
Tie wire (Optional accessory)		ø0.8 mm
Diameter of rebars that can be tied		From #3 x #3 to (#4 x 2) x (#4 x 2) From 10 mm x 10 mm to (13 mm x 2) x (13 mm x 2)
Approximate number of ties per reel	Annealing iron tie wire	Approximately 120 ties
	Galvanized tie wire	Approximately 120 ties
	Poly coated tie wire	Approximately 105 ties
Overall length		304 mm
Rated voltage		D.C. 14.4/18 V
Net weight		2.3 - 2.6 kg

- Due to our continuing program of research and development, the specifications herein are subject to change without notice.
- Specifications and battery cartridge may differ from country to country.
- The weight may differ depending on the attachment(s), including the battery cartridge. The lightest and heaviest combinations, according to EPTA-Procedure 01/2014, are shown in the table.

Applicable battery cartridge and charger

Battery cartridge	D.C.14.4 V Model	BL1415N / BL1430B / BL1440 / BL1460B
	D.C.18 V Model	BL1815N / BL1820B / BL1830B / BL1840B / BL1850B / BL1860B
Charger	DC18RC / DC18RD / DC18RE / DC18SD / DC18SE / DC18SF / DC18SH	

- Some of the battery cartridges and chargers listed above may not be available depending on your region of residence.

⚠ WARNING: Only use the battery cartridges and chargers listed above. Use of any other battery cartridges and chargers may cause injury and/or fire.

Combination of rebars that can be tied

Combination of 2 rebars

	#3 (10 mm)	#4 (13 mm)	#5 (16 mm)
#3 (10 mm)	✓	✓	✓
#4 (13 mm)	✓	✓	✓
#5 (16 mm)	✓	✓	✓

Combination of 3 rebars

	#3 x #3 (10 mm x 10 mm)	#4 x #4 (13 mm x 13 mm)
#3 (10 mm)	✓	✓
#4 (13 mm)	✓	✓
#5 (16 mm)	✓	-

Combination of 4 rebars

	#3 x #3 (10 mm x 10 mm)	#4 x #4 (13 mm x 13 mm)
#3 x #3 (10 mm x 10 mm)	✓	✓
#4 x #4 (13 mm x 13 mm)	✓	✓

NOTICE: If there is a gap between rebars or if the tool is used at an incorrect orientation, the rebars may not be able to be tied.

Symbols

The followings show the symbols which may be used for the equipment. Be sure that you understand their meaning before use.



Read instruction manual.



Wear safety glasses.



Do not expose to rain.



Keep hands away from the wire reel or wire when operating the tool.



Keep hands away from the tool tip.



Ni-MH
Li-ion

Only for EU countries
Do not dispose of electric equipment or battery pack together with household waste material! In observance of the European Directives, on Waste Electric and Electronic Equipment and Batteries and Accumulators and Waste Batteries and Accumulators and their implementation in accordance with national laws, electric equipment and batteries and battery pack(s) that have reached the end of their life must be collected separately and returned to an environmentally compatible recycling facility.

Intended use

The tool is intended for tying rebars.

Noise

The typical A-weighted noise level determined according to EN60745-2-18 (EN12549):
Sound pressure level (L_{pA}) : 78 dB(A)
Uncertainty (K) : 3 dB(A)

The noise level under working may exceed 80 dB (A).

NOTE: The declared noise emission value(s) has been measured in accordance with a standard test method and may be used for comparing one tool with another.

NOTE: The declared noise emission value(s) may also be used in a preliminary assessment of exposure.

⚠ WARNING: Wear ear protection.

⚠ WARNING: The noise emission during actual use of the power tool can differ from the declared value(s) depending on the ways in which the tool is used especially what kind of workpiece is processed.

⚠ WARNING: Be sure to identify safety measures to protect the operator that are based on an estimation of exposure in the actual conditions of use (taking account of all parts of the operating cycle such as the times when the tool is switched off and when it is running idle in addition to the trigger time).

Vibration

The vibration total value (tri-axial vector sum) determined according to EN60745-2-18 (ISO8662-11):
Work mode: Tying metal rod
Vibration emission (a_h) : 2.5 m/s² or less
Uncertainty (K) : 1.5 m/s²

NOTE: The declared vibration total value(s) has been measured in accordance with a standard test method and may be used for comparing one tool with another.

NOTE: The declared vibration total value(s) may also be used in a preliminary assessment of exposure.

⚠ WARNING: The vibration emission during actual use of the power tool can differ from the declared value(s) depending on the ways in which the tool is used especially what kind of workpiece is processed.

⚠ WARNING: Be sure to identify safety measures to protect the operator that are based on an estimation of exposure in the actual conditions of use (taking account of all parts of the operating cycle such as the times when the tool is switched off and when it is running idle in addition to the trigger time).

EC Declaration of Conformity

For European countries only

The EC declaration of conformity is included as Annex A to this instruction manual.

SAFETY WARNINGS

General power tool safety warnings

⚠ WARNING: Read all safety warnings, instructions, illustrations and specifications provided with this power tool. Failure to follow all instructions listed below may result in electric shock, fire and/or serious injury.

Save all warnings and instructions for future reference.

The term "power tool" in the warnings refers to your mains-operated (corded) power tool or battery-operated (cordless) power tool.

Cordless rebar tying tool safety warnings

1. **Never point the tool toward a person. Never put your hands or feet close to the tool tip.** If you accidentally operate the tool while it is touching someone, it will lead to an unexpected accident.
2. **Do not load wire while the power to the tool is turned on.** Otherwise, you may get caught in the wire and injured.
3. **Do not use the tool without closing the reel cover.** Otherwise, the wire reel may come off and cause an accident.
4. **Be sure to check that the diameters of rebars to be tied are within the tool capacity before beginning work.**

5. **Wear clothes that have close-fitting hemlines and sleeves. Do not work with a towel or other object wrapped around your neck.** Otherwise, they may get caught in the rotating part and cause an accident.
6. **Be sure to inspect the following points before using the tool.**
 - Check that no parts are damaged
 - Check that no bolts are loose
 - Check that safety devices operate normally
7. **If any abnormalities are found, stop using the tool immediately. Do not repair the tool by yourself. Ask your local Makita Service Center for repairs.** If the tool is used in an incomplete state, an accident may occur.
8. **When installing the battery cartridge, be sure to lock the trigger and do not place your finger on the trigger.** Incorrect operation may cause an accident.
9. **When tying rebars, exercise care not to move them.** If rebars move due to tying, you may be injured.
10. **Do not touch the wires during the wire tying process.** Otherwise, you may get caught in the wire and injured.
11. **Do not bring your hands close to the tying point during the wire tying process.** Otherwise, you may get caught in the wire and injured.
12. **Hold the grip of the tool firmly during the wire tying process.** Otherwise, your wrist may be twisted or your body may be pulled, which may result in an injury.
13. **Do not move to the next tying point until the current wire tying process is completed.** Otherwise, you may be injured.
14. **Pay attention to the end of the wire during the wire tying process.** Otherwise, your hand may be caught by the end of the wire, and you may be injured.
15. **Do not touch the contact plate during the wire tying process. If you need to touch the contact plate, be sure to lock the trigger, or turn the power switch off and remove the battery cartridge.** Otherwise, you may be injured.
16. **When you have completed the wire tying process, pull the tool up vertically.** Otherwise, the arm may be caught on rebars, which may cause an accident.
17. **Be careful not to drop, bump, or hit the tool. If a strong impact is applied prior to the tool being used, make sure that the tool is not damaged or cracked, and that the safety devices operate normally.** Otherwise, an accident may occur.
18. **If any of the following phenomena occur, lock the trigger, turn the power switch off, and remove the battery cartridge from the tool.** If the tool operates incorrectly, an accident may occur.
 - If an operating sound is heard as soon as the battery cartridge is mounted.
 - If overheating or abnormal smells or noises are detected.
- When you are taking measures in response to the error display. (Ask your local Makita Service Center for repairs.)
- When loading or unloading a wire reel.
- When you move while holding the tool during work.
- When you do not use the tool.
- When you inspect or adjust the tool.
- When you remove a stranded wire.
19. **When working on scaffolding, always stabilize it and work using a posture that will ensure you maintain your balance.** If scaffolding is unstable, an accident may occur.
20. **When working on a roof or similar locations, move in a forward direction while working so that you can see where you are going.** If you move in a backward direction while working, you may lose your footing and cause an accident.
21. **If you are working in a highly elevated location, ensure that no one is below you, and pay attention to ensure you do not drop any tools while working.** Dropping the tool may cause an accident.
22. **Do not use the tool for any work other than wire tying.** Otherwise, an accident may occur.
23. **Always use Makita's genuine wires. If wires are not used for a long period of time, they may rust. Do not use rusted wires.** Otherwise, they may cause an accident.
24. **After tying, check for wire breakage due to excessive twisting. If any wires are broken, tying strength will be lost. Adjust the tying strength, and tie the rebars again.**
25. **Securely place the arm against the rebars.** If it is not securely positioned, a clearance will be created between the rebars, and tying strength will be compromised.

Important safety instructions for battery cartridge

1. **Before using battery cartridge, read all instructions and cautionary markings on (1) battery charger, (2) battery, and (3) product using battery.**
2. **Do not disassemble or tamper with the battery cartridge.** It may result in a fire, excessive heat, or explosion.
3. **If operating time has become excessively shorter, stop operating immediately.** It may result in a risk of overheating, possible burns and even an explosion.
4. **If electrolyte gets into your eyes, rinse them out with clear water and seek medical attention right away.** It may result in loss of your eyesight.
5. **Do not short the battery cartridge:**
 - (1) **Do not touch the terminals with any conductive material.**
 - (2) **Avoid storing battery cartridge in a container with other metal objects such as nails, coins, etc.**
 - (3) **Do not expose battery cartridge to water or rain.**

A battery short can cause a large current flow, overheating, possible burns and even a breakdown.

6. Do not store and use the tool and battery cartridge in locations where the temperature may reach or exceed 50 °C (122 °F).
7. Do not incinerate the battery cartridge even if it is severely damaged or is completely worn out. The battery cartridge can explode in a fire.
8. Do not nail, cut, crush, throw, drop the battery cartridge, or hit against a hard object to the battery cartridge. Such conduct may result in a fire, excessive heat, or explosion.
9. Do not use a damaged battery.
10. The contained lithium-ion batteries are subject to the Dangerous Goods Legislation requirements.
For commercial transports e.g. by third parties, forwarding agents, special requirement on packaging and labeling must be observed.
For preparation of the item being shipped, consulting an expert for hazardous material is required.
Please also observe possibly more detailed national regulations.
Tape or mask off open contacts and pack up the battery in such a manner that it cannot move around in the packaging.
11. When disposing of the battery cartridge, remove it from the tool and dispose of it in a safe place. Follow your local regulations relating to disposal of battery.
12. Use the batteries only with the products specified by Makita. Installing the batteries to non-compliant products may result in a fire, excessive heat, explosion, or leak of electrolyte.
13. If the tool is not used for a long period of time, the battery must be removed from the tool.
14. During and after use, the battery cartridge may take on heat which can cause burns or low temperature burns. Pay attention to the handling of hot battery cartridges.
15. Do not touch the terminal of the tool immediately after use as it may get hot enough to cause burns.
16. Do not allow chips, dust, or soil stuck into the terminals, holes, and grooves of the battery cartridge. It may result in poor performance or breakdown of the tool or battery cartridge.
17. Unless the tool supports the use near high-voltage electrical power lines, do not use the battery cartridge near high-voltage electrical power lines. It may result in a malfunction or breakdown of the tool or battery cartridge.
18. Keep the battery away from children.

SAVE THESE INSTRUCTIONS.

CAUTION: Only use genuine Makita batteries. Use of non-genuine Makita batteries, or batteries that have been altered, may result in the battery bursting causing fires, personal injury and damage. It will also void the Makita warranty for the Makita tool and charger.

Tips for maintaining maximum battery life

1. Charge the battery cartridge before completely discharged. Always stop tool operation and charge the battery cartridge when you notice less tool power.
2. Never recharge a fully charged battery cartridge. Overcharging shortens the battery service life.
3. Charge the battery cartridge with room temperature at 10 °C - 40 °C (50 °F - 104 °F). Let a hot battery cartridge cool down before charging it.
4. When not using the battery cartridge, remove it from the tool or the charger.
5. Charge the battery cartridge if you do not use it for a long period (more than six months).

FUNCTIONAL DESCRIPTION

CAUTION: Always be sure that the tool is switched off and the battery cartridge is removed before adjusting or checking function on the tool.

Installing or removing battery cartridge

CAUTION: Always switch off the tool before installing or removing of the battery cartridge.

CAUTION: Hold the tool and the battery cartridge firmly when installing or removing battery cartridge. Failure to hold the tool and the battery cartridge firmly may cause them to slip off your hands and result in damage to the tool and battery cartridge and a personal injury.

► Fig. 1: 1. Red indicator 2. Button 3. Battery cartridge

To remove the battery cartridge, slide it from the tool while sliding the button on the front of the cartridge.

To install the battery cartridge, align the tongue on the battery cartridge with the groove in the housing and slip it into place. Insert it all the way until it locks in place with a little click. If you can see the red indicator on the upper side of the button, it is not locked completely.

CAUTION: Always install the battery cartridge fully until the red indicator cannot be seen. If not, it may accidentally fall out of the tool, causing injury to you or someone around you.

CAUTION: Do not install the battery cartridge forcibly. If the cartridge does not slide in easily, it is not being inserted correctly.

Indicating the remaining battery capacity

Only for battery cartridges with the indicator

► Fig.2: 1. Indicator lamps 2. Check button

Press the check button on the battery cartridge to indicate the remaining battery capacity. The indicator lamps light up for a few seconds.

Indicator lamps			Remaining capacity
Lighted	Off	Blinking	
■	□	▧	75% to 100%
■ ■ ■ ■			
■ ■ ■	□		50% to 75%
■ ■	□ □		25% to 50%
■	□ □ □		0% to 25%
▧	□ □ □		Charge the battery.
■ ■	□ □		The battery may have malfunctioned.
□ □	■ ■	↑ ↓	

NOTE: Depending on the conditions of use and the ambient temperature, the indication may differ slightly from the actual capacity.

NOTE: The first (far left) indicator lamp will blink when the battery protection system works.

Tool / battery protection system

The tool is equipped with a tool/battery protection system. This system automatically cuts off power to the motor to extend tool and battery life. The tool will automatically stop during operation if the tool or battery is placed under one of the following conditions:

Overload protection

When the battery is operated in a manner that causes it to draw an abnormally high current, the tool automatically stops and the corresponding error number is displayed on the display panel. In this situation, turn the tool off and stop the application that caused the tool to become overloaded. Then turn the tool on to restart.

Overheat protection

When the tool or battery is overheated, the tool stops automatically and the corresponding error number is displayed on the display panel. In this case, let the tool and battery cool before turning the tool on again.

Overdischarge protection

When the battery capacity is not enough, the tool stops automatically and the corresponding error number is displayed on the display panel. In this case, remove the battery from the tool and charge the battery.

Main power switch

CAUTION: When you turn the power on, never bring your limbs or face close to the binding or rotating parts of the tool tip. Otherwise, you may be injured.

CAUTION: When the power is turned on, never touch the binding or rotating parts of the tool tip. Otherwise, you may be injured.

CAUTION: Before inserting the battery cartridge, be sure to release your fingers from the switch trigger and lock the trigger. If you insert the battery cartridge while the switch trigger is being pulled, it may cause an accident if the wire tying process is accidentally carried out.

► Fig.3

When you press the power button, the power turns on and the tying mode lamp lights up. In order for the tool to adjust its initial position, it operates temporarily. When adjustment has completed, the tool stops automatically. When you press the power button again, the power turns off and the tying mode lamp goes out.

► Fig.4: 1. Tying mode lamp 2. Power button

NOTE: The tool has an auto power-off function. If the switch trigger is not pulled for 10 minutes, the tool is automatically turned off to reduce battery power consumption.

NOTE: To restart the tool, turn the power on again.

Mode switching button

When the power is turned on and the tying mode lamp is lit, you can select the single actuation mode or the continuous actuation mode via the mode switching button. When you turn the power on again, the tool starts in the mode that was most recently selected.

► Fig.5: 1. Mode switching button 2. Single actuation mode 3. Continuous actuation mode

Switch action

WARNING: Before installing the battery cartridge into the tool, always check to see that the switch trigger actuates properly and returns to the "OFF" position when released.

CAUTION: When not operating the tool, depress the trigger-lock button from A side to lock the switch trigger in the OFF position.

► Fig.6: 1. Switch trigger 2. Trigger-lock button

To prevent the switch trigger from accidentally pulled, the trigger-lock button is provided. To start the tool, depress the trigger-lock button from A side and pull the switch trigger. Release the switch trigger to stop. After use, press in the trigger-lock button from B side.

When you pull the switch trigger, the tool performs the next sequential operations as follows, and the tool stops automatically.

1. Feed the wire.
2. Cut the wire.
3. The hook holds and twists the wire.
4. The hook returns to the original position.

Tying strength setting

CAUTION: Be sure to lock the trigger before starting the adjustment. When you turn the power on, never bring your limbs or face close to the binding or rotating parts of the tool tip. Otherwise, you may be injured.

► Fig.7

You can set the tying strength by adjusting the tying strength adjusting button. Tying strength is shown on the display panel.

► Fig.8: 1. Tying strength adjusting button 2. Display panel

If the wire is broken off, tying strength will be lost. After tying, check the twisted portion for breakage. If the wire is broken off, adjust the tying strength using the tying strength adjusting button, and tie the rebars again.

Remaining battery notification

When the battery voltage drops below the required level, the tool will stop operating, an error tone will sound, and the number "4" will appear on the display panel. The error tone will continue to sound until the power is turned off.

NOTE: If the ambient temperature is extremely low, the error tone may sound even when the battery contains sufficient power.

ASSEMBLY

CAUTION: Always be sure that the tool is switched off and the battery cartridge is removed before carrying out any work on the tool.

Loading the tie wire (wire reel)

CAUTION: Before mounting or dismounting tie wires and accessories, be sure to turn the power off, lock the trigger, and remove the battery cartridge. Failure to do so may cause an accident.

NOTICE: Using wires other than Makita's genuine tie wires may cause the tool to malfunction.

1. Push the release lever, and lock it with the lock lever.
► Fig.9: 1. Release lever 2. Lock lever

When you push the release lever, a gap is created between the left and right feed gears.

- Fig.10: 1. Release lever 2. Lock lever 3. Feed gears

2. Open the reel cover.
► Fig.11: 1. Reel cover

3. Mount the wire reel on the tool in the orientation shown in the figure.
► Fig.12: 1. Wire reel

NOTICE: Be sure to mount the wire reel in the orientation shown in the figure. If it is mounted the other way around, the wire will be released and may be twisted.

4. Unhook the wire tip from the hook of reel.

► Fig.13: 1. Hook

5. Make the tip of the wire straight, and pass the wire through the guide.

► Fig.14: 1. Guide

NOTE: If the tip of the wire is bent when it is passed through the guide, the wire may become jammed in the tool.

NOTE: If you force the wire when trying to pass it through the guide, the wire may become jammed.

6. Pull the wire out approximately 10 mm from the tip of the arm.

► Fig.15: 1. Arm 2. Approximately 10 mm

NOTICE: If the length of the pulled-out wire is insufficient, the wire may be broken off when tied, or tying strength may be compromised due to insufficient wraps.

7. Rewind the wire to eliminate its slack.

► Fig.16

8. Release the lock lever. The release lever returns, and the wire is held by the left and right gears.

► Fig.17: 1. Release lever 2. Lock lever

► Fig.18: 1. Gear 2. Path of the wire 3. Wire

NOTICE: When the lock lever is released and when the left and right gears mesh with each other, the grooves in the gears form a space. This space becomes the path for the wire. Make sure that the wire is passed through this path.

9. Close the reel cover.

► Fig.19: 1. Reel cover

OPERATION

Checking before work

CAUTION: If the tool has a safety mechanism-related problem, do not use it. If you continue to use it, an accident may occur.

Before using the tool, make sure that the safety mechanism operates normally. If the tool operates without the safety mechanism operating, stop using the tool immediately. Ask your local Makita Service Center for repairs.

Checking the trigger-lock

The tool has the trigger-lock to prevent the tool from operating when you do not intend to use it. Lock the trigger and confirm that the switch trigger cannot be pulled.

Checking the curl guide

To prevent the operator from touching the binding or rotating parts of the tool tip by mistake, the tool will not operate even if the switch trigger is pulled while the curl guide is opened. When the operator releases their finger from the switch trigger and closes the curl guide, the tool can operate.

► Fig.20: 1. Curl guide

Checkout for curl guide open/close detection

Remove the tie wire, check the tool operation according to the following steps, and make sure that the tool does not start if the curl guide is open.

1. Turn the power off, and leave the curl guide open.
2. Turn the power on.

If the tool will not operate and if the value "2" is shown on the display panel, the state of the tool is normal. Turn the power off, and close the curl guide.

If the tool operates and if no error is shown on the display panel, the state of the tool is abnormal. Stop using the tool immediately, and ask your local Makita Service Center for repairs.

CAUTION: If you open the curl guide and turn the power on to check the interlock, hold the curl guide as shown in the figure. Never bring your limbs or face close to the binding or rotating parts of the tool tip. Otherwise, you may be injured.

► Fig.21

Tying work

CAUTION: Before inserting the battery cartridge, be sure to release your fingers from the switch trigger and lock the trigger. If you insert the battery cartridge while the switch trigger is being pulled, it may cause an accident if the wire tying process is accidentally carried out.

CAUTION: When you turn the power on, never bring your limbs or face close to the binding or rotating parts of the tool tip. Otherwise, you may be injured.

CAUTION: When the power is turned on, never touch the binding or rotating parts of the tool tip. Otherwise, you may be injured.

► Fig.22

Preparation before work

1. Make sure that the battery cartridge is removed and the trigger is locked.
2. Insert the battery cartridge into the tool, and turn the power on. When you turn the power on, the wire is cut automatically.

NOTICE: Make sure that the tying mode lamp lights up when the power is turned on. If it does not light up, recharge the battery.

3. Release the trigger lock.
- Fig.23: 1. Trigger-lock button 2. Switch trigger
3. Power button 4. Tying mode lamp

Single actuation mode

1. Push the arm securely against the tying point. Push the tool vertically against the rebars, and press the arm against the point where the rebars cross at a 45-degree angle.

► Fig.24

2. Pull the switch trigger once.
 3. The wire is fed and cut automatically.
 4. The hook holds and twists the wire, then returns to the original position after the wires have been tied.
- Fig.25

5. After tying, exercise care not to hook the arm on the rebars and pull the tool up.

CAUTION: If the wire has clung to the binding part of the tool tip, turn the power of the tool off. Lock the trigger, remove the battery cartridge, and remove the wire using tools such as nippers or pliers.

► Fig.26

Continuous actuation mode

1. Switch the tool mode from the single actuation mode to the continuous actuation mode using the mode switching button.

► Fig.27: 1. Mode switching button

2. Release the trigger lock.
3. While pulling the switch trigger, push the tool vertically against the rebars, and press the arm against the point where the rebars cross at a 45-degree angle. Press the contact plate firmly against the tying point. The wire will be tied.

► Fig.28: 1. Contact plate

4. After tying, exercise care not to hook the arm on the rebars and pull the tool up.

► Fig.29

Cautions on working

- If you move the arm from the tying position during the wire tying process, the wire will get stuck on the hook, which may lead to incorrect tying.
- Keep pressing the tool against the rebars until the wire tying process is completed.
- Do not move to the next tying point until the current wire tying process is completed.
- The tool tip rotating part (hook) twists the wire during the wire tying process. Hold the grip firmly so that your body is not pulled by the tool.
- Do not touch the wires during the wire tying process.
- If you are repeating the wire tying processes in the single actuation mode, fully release your finger from the switch trigger. Then, continue to operate the switch trigger.
- If you pull the switch trigger when there is no tie wire left, an error is displayed. Replace with a new tie wire and restart the tool.

Tying tips

- Tilt the tool at a 45° angle to the crossed rebars, and tie alternately as shown in the figure.

► Fig.30

- Avoid strumous sections of rebars.

► Fig.31

- If tying strength is insufficient, change the tying orientation and perform tying twice so that tying strength increases.

► Fig.32

NOTICE: When you make the second tie, bend the tail of the first tie before making the second tie. Otherwise, the wire may be repelled a second time. It may cling to the tool tip, and the hook may be damaged.

Replacing the tie wires

CAUTION: When you replace the wire, be sure to turn the power off, lock the trigger, and remove the battery cartridge. Failure to do so may cause an accident.

1. When wire has been used up, an error tone will sound and error "1" will be displayed.
2. Lock the trigger, turn the power off, and remove the battery cartridge.
3. Push the release lever, and lock it with the lock lever.
▶ **Fig.33:** 1. Release lever 2. Lock lever
4. Remove the wire reel from the tool.

NOTE: When wire has been used up normally, approximately 20 cm of the wire remains wound on the reel. In this state, replace the wire reel with a new one.

If it is difficult to remove the wire reel from the tool, follow the steps below.

1. Insert the battery cartridge into the tool, and turn the power on. The tool feeds the wire and cuts it automatically.
2. Lock the trigger, turn the power off, and remove the battery cartridge.
3. Remove the wire breaks using tools such as nippers or pliers.

MAINTENANCE

CAUTION: Always be sure that the tool is switched off and the battery cartridge is removed before attempting to perform inspection or maintenance.

NOTICE: Never use gasoline, benzine, thinner, alcohol or the like. Discoloration, deformation or cracks may result.

To maintain product SAFETY and RELIABILITY, repairs, any other maintenance or adjustment should be performed by Makita Authorized or Factory Service Centers, always using Makita replacement parts.

Cleaning the cutter section

When the tool is used, dust and wire particles may become adhered to the cutter section. In such a case, clean the cutter section according to the following procedure. The cleaning should be done each time you use up a box of reel. (50 pcs.)

Using the wire brush

1. Open the reel cover.
▶ **Fig.34:** 1. Reel cover
2. Push the release lever, and lock it with the lock lever.
▶ **Fig.35:** 1. Release lever 2. Lock lever
3. Pass the wire brush through the guide.

When inserting the wire brush, hold it short and push it into the guide little by little.

- ▶ **Fig.36:** 1. Wire brush
▶ **Fig.37:** 1. Gear 2. Guide 3. Wire brush

4. Push in the wire brush until it comes out approximately 10 mm from the tip of the arm. And then pull out the wire brush. This action is enough with one time.

▶ **Fig.38:** 1. Arm 2. Wire brush

5. Close the reel cover.

▶ **Fig.39:** 1. Reel cover

Using the air duster gun

Open the reel cover, push the release lever, and lock it with the lock lever. Then bring the air duster gun close to the guide and blow the air. Make sure the air comes from the tip of the arm.

▶ **Fig.40:** 1. Air duster gun 2. Guide

Cleaning with disassembly

If the cutter section is clogged or a wire is caught in it, disassemble the parts and clean them.

Disassembling and cleaning

1. Loosen bolts A and B using the hex wrench included in the tool package.

▶ **Fig.41:** 1. Hex wrench

▶ **Fig.42:** 1. Bolt A 2. Bolt B 3. Contact plate cover

4. Wire guide B

NOTICE: Do not forcibly remove any bolts that cannot be removed using the hex wrench.

2. Pull the contact plate cover up in the direction of the arrow and remove it. Bolt B will be removed at the same time.

▶ **Fig.43:** 1. Contact plate cover 2. Bolt B

3. Remove bolt A, and remove wire guide B.

▶ **Fig.44:** 1. Bolt A 2. Wire guide B

4. Turn wire guide B over and clean its inside.

▶ **Fig.45**

5. Remove cutter A, cutter B, top plate, and link arm A from arm plate A. Then, clean them.

▶ **Fig.46:** 1. Cutter B 2. Link arm A 3. Cutter A 4. Arm plate A 5. Top plate

Assembling

When cleaning is finished, assemble the parts according to the following procedure.

1. Install cutter A and link arm A to fit the shape of arm plate A.

▶ **Fig.47:** 1. Cutter A 2. Link arm A 3. Arm plate A

2. Install cutter B and the top plate onto arm plate A. (Install cutter B on cutter A and link arm A.)

▶ **Fig.48:** 1. Cutter B 2. Top plate 3. Arm plate A
4. Cutter A 5. Link arm A

NOTICE: Face the projection of cutter B downward, and install the cutter as shown in the figure.

3. Align the pipe of the tool with the groove inside the wire guide B, and assemble them.

▶ **Fig.49:** 1. Pipe 2. Groove 3. Wire guide B

4. Fix wire guide B by temporarily tightening bolt A.

▶ **Fig.50:** 1. Bolt A 2. Wire guide B

5. Install the contact plate cover in the direction of the arrow.

► **Fig.51:** 1. Contact plate cover

6. Fix wire guide B and contact plate cover securely by tightening bolt A and bolt B.

► **Fig.52:** 1. Wire guide B 2. Contact plate cover
3. Bolt A 4. Bolt B

7. After assembling, confirm that the contact plate can move as shown in the figure.

► **Fig.53:** 1. Contact plate

NOTE: If the contact plate is caught, press it as shown in the figure.

► **Fig.54**

Error display and error tone

CAUTION: During inspection, be sure to lock the trigger, turn the power off, and remove the battery cartridge. Failure to do so may cause an accident.

CAUTION: When you turn the power on, never bring your limbs or face close to the binding or rotating parts of the tool tip. Otherwise, you may be injured.

CAUTION: When the power is turned on, never touch the binding or rotating parts of the tool tip. Otherwise, you may be injured.

CAUTION: If an error tone sounds, or if the tool malfunctions, immediately stop using the tool.

Error tone and display

If an error occurs, an error tone will sound, and an error number will be shown on the display panel. Refer to the following table and take appropriate actions. If the error persists, ask Makita Authorized Service Centers for repairs.

Display	Symptom	Possible cause	Solution
1	The tool stops operating.	The wire has been used up.	Load new tie wire.
		Tie wire is not loaded.	Load tie wire.
		Wire feeding has failed.	Check the orientation of the tie wire. Unload the tie wire, and load it again. Clean the path of wire.
2	The tool stops operating.	The curl guide is open.	Close the curl guide.
3	The tool does not perform the tying process in continuous actuation mode.	The contact plate is caught.	Release the contact plate from being caught.
4	The tool does not start. The tool stops operating.	The battery has been discharged. The temperature of the battery cartridge is abnormally high.	Recharge the battery. Cool the battery cartridge down. Replace the battery cartridge with a recharged one.
		The motor is overloaded. Motor failure	Determine the cause of the obstruction of the motor rotation and solve the problem.
6	The tool stops operating.	The temperature of the tool is abnormally high.	Cool the tool down.
7	The tool does not start. The tool stops operating.	Tool failure	Ask Makita Authorized Service Centers for repairs.

OPTIONAL ACCESSORIES

CAUTION: These accessories or attachments are recommended for use with your Makita tool specified in this manual. The use of any other accessories or attachments might present a risk of injury to persons. Only use accessory or attachment for its stated purpose.

If you need any assistance for more details regarding these accessories, ask your local Makita Service Center.

- Tie wire
- Wire brush
- Extension handle
- Makita genuine battery and charger

NOTE: Some items in the list may be included in the tool package as standard accessories. They may differ from country to country.

SPECIFIKATIONER

Modell:		DTR180
Bindtråd (valfritt tillbehör)		ø0,8 mm
Diameter för armeringsjärn som kan bindas		Från #3 x #3 till (#4 x 2) x (#4 x 2) Från 10 mm x 10 mm till (13 mm x 2) x (13 mm x 2)
Uppskattat antal bindningar per vinda	Härdade järnband	Ca 120 bindningar
	Galvaniserad bindtråd	Ca 120 trådar
	Polybelagd bindtråd	Ca 105 trådar
Total längd		304 mm
Märkspänning		14,4/18 V likström
Nettovikt		2,3 - 2,6 kg

- På grund av vårt pågående program för forskning och utveckling kan dessa specifikationer ändras utan föregående meddelande.
- Specifikationer och batterikassett kan variera mellan olika länder.
- Vikten kan variera beroende på tillbehören, inklusive batterikassett. Den lättaste och den tyngsta kombinationen enligt EPTA-procedur 01/2014 visas i tabellen.

Tillgänglig batterikassett och laddare

Batterikassett	14,4 V likströmsmodell	BL1415N / BL1430B / BL1440 / BL1460B
	18 V likströmsmodell	BL1815N / BL1820B / BL1830B / BL1840B / BL1850B / BL1860B
Laddare	DC18RC / DC18RD / DC18RE / DC18SD / DC18SE / DC18SF / DC18SH	

- Vissa av batterikassetterna och laddarna på listan ovan kanske inte finns tillgängliga i din region.

⚠ VARNING: Använd endast batterikassetter och laddare från listan ovan. Användning av andra batterikassetter och laddare kan orsaka personskada och/eller brand.

Kombination av armeringsjärn som kan bindas

Kombination av 2 armeringsjärn

	#3 (10 mm)	#4 (13 mm)	#5 (16 mm)
#3 (10 mm)	✓	✓	✓
#4 (13 mm)	✓	✓	✓
#5 (16 mm)	✓	✓	✓

Kombination av 3 armeringsjärn

	#3 x #3 (10 mm x 10 mm)	#4 x #4 (13 mm x 13 mm)
#3 (10 mm)	✓	✓
#4 (13 mm)	✓	✓
#5 (16 mm)	✓	-

Kombination av 4 armeringsjärn

	#3 x #3 (10 mm x 10 mm)	#4 x #4 (13 mm x 13 mm)
#3 x #3 (10 mm x 10 mm)	✓	✓
#4 x #4 (13 mm x 13 mm)	✓	✓

OBSERVERA: Om det är ett mellanrum mellan armeringsjärnen eller om verktyget används i fel riktning, så kan armeringsjärnen kanske inte bindas.

Symboler

Följande visar symbolerna som kan användas för utrustningen. Se till att du förstår innebörden innan användning.



Läs igenom bruksanvisningen.



Använd skyddsglasögon.



Utsätt inte för regn.



Håll händerna borta från trådvindan eller tråden när verktyget används.



Håll händerna borta från verktygsspetsen.



Gäller endast inom EU
Elektrisk utrustning eller batteripaket får inte kastas i hushållsavfallet!
Enligt EU-direktiven som avser förbrukad elektrisk och elektronisk utrustning, batterier, ackumulatörer, förbrukade batterier och ackumulatörer, samt direktivens tillämpning enligt nationell lagstiftning, ska uttjänt elektrisk utrustning, batterier och batteripaket sorteras separat och lämnas till miljövänlig återvinning.

Avsedd användning

Verktyget är avsett för att binda armeringsjärn.

Buller

Den normala bullernivån för A-belastning är bestämd enligt EN60745-2-18 (EN12549):
Ljudtrycksnivå (L_{pA}): 78 dB (A)
Mättolerans (K): 3 dB (A)

Bullernivån vid arbete kan överstiga 80 dB (A).

OBS: Det deklarerade bullervärdet har uppmätts i enlighet med standardtestmetoden och kan användas för jämförandet av en maskin med en annan.

OBS: Det deklarerade bulleremissionsvärdet kan också användas i en preliminär bedömning av exponering för vibration.

⚠ VARNING: Använd hörselskydd.

⚠ VARNING: Bulleremissionen under faktisk användning av maskinen kan skilja sig från det deklarerade värdet, beroende på hur maskinen används och särskilt vilken typ av arbetsstycke som behandlas.

⚠ VARNING: Var noga med att identifiera säkerhetsåtgärder för att skydda användaren, vilka är grundade på en uppskattning av graden av exponering för vibrationer under de faktiska användningsförhållandena, (ta, förutom avtryckartiden, med alla delar av användarcykeln i beräkningen, som till exempel tiden då maskinen är avstängd och när den går på tomgång).

Vibration

Det totala vibrationsvärdet (treaxlad vektorsumma) bestämt enligt EN60745-2-18 (ISO8662-11):
Arbetsläge: Bindningsstång av metall
Vibrationsemission (a_{h1}): 2,5 m/s² eller lägre
Mättolerans (K): 1,5 m/s²

OBS: Det deklarerade totala vibrationsvärdet har uppmätts i enlighet med standardtestmetoden och kan användas för jämförandet av en maskin med en annan.

OBS: Det deklarerade totala vibrationsvärdet kan också användas i en preliminär bedömning av exponering för vibration.

⚠ VARNING: Vibrationsemissionen under faktisk användning av maskinen kan skilja sig från det deklarerade värdet, beroende på hur maskinen används och särskilt vilken typ av arbetsstycke som behandlas.

⚠ VARNING: Var noga med att identifiera säkerhetsåtgärder för att skydda användaren, vilka är grundade på en uppskattning av graden av exponering för vibrationer under de faktiska användningsförhållandena, (ta, förutom avtryckartiden, med alla delar av användarcykeln i beräkningen, som till exempel tiden då maskinen är avstängd och när den går på tomgång).

EG-försäkringen om överensstämmelse

Gäller endast inom EU

EG-försäkringen om överensstämmelse inkluderas som bilaga A till denna bruksanvisning.

SÄKERHETSVARNINGAR

Allmänna säkerhetsvarningar för maskiner

⚠ VARNING: Läs alla säkerhetsvarningar, anvisningar, illustrationer och specifikationer som medföljer det här maskinen. Underlåtenhet att följa instruktionerna kan leda till elstötar, brand och/eller allvarliga personskador.

Spara alla varningar och instruktioner för framtida referens.

Termen "maskin" som anges i varningarna hänvisar till din eldrivna maskin (sladdansluten) eller batteridrivna maskin (sladdlös).

Säkerhetsvarningar för trådlöst bindverktyg för armeringsjärn

1. Rikta aldrig verktyget mot någon person. Ha aldrig händerna eller fötterna nära verktygs-spetsen. Om du råkar sätta igång verktyget medan det har kontakt med någon, leder det till oväntad olycka.
2. Ladda inte tråd medan strömmen till verktyget är på. Det kan göra att du fastnar i tråden och blir skadad.
3. Använd inte verktyget utan att stänga skyddet för vindan. Om inte detta följs kan trådvindan lossna och orsaka olycka.
4. Se till att kontrollera att diametern för armeringsjärnen som ska bindas ligger inom verktygets kapacitet innan arbetet påbörjas.
5. Bär kläder med tättsittande fallar och armar. Arbeta inte med en handduk eller annat föremål virat runt halsen. Det kan fastna i den roterande delen och orsaka en olycka.
6. Se till att inspektera följande punkter innan du använder verktyget.
 - Kontrollera att inga delar är skadade
 - Kontrollera att inga bultar är lösa
 - Kontrollera att säkerhetsanordningar fungerar normalt
7. Om några avvikelser påträffas, sluta genast använda verktyget. Reparera inte verktyget själv. Kontakta ditt lokala Makita-servicecenter för reparation. Om verktyget används i ofullständigt skick kan en olycka inträffa.
8. När batterikassetten sätts i, se då till att låsa avtryckaren och sätt inte fingret på avtryckaren. Felaktig funktion kan orsaka en olycka.
9. När du binder armeringsjärn, var då noga med att inte flytta på dem. Om armeringsjärn rör på sig i samband med bindningen kan du bli skadad.
10. Rör inte vid trådarna under trådbindningsprocessen. Det kan göra att du fastnar i tråden och blir skadad.
11. Ha inte händerna nära bindningsstället under trådbindningsprocessen. Det kan göra att du fastnar i tråden och blir skadad.
12. Håll stadigt i verktygets handtag under trådbindningsprocessen. I annat fall kan din handled vridas eller kroppen utsättas för drag, vilket kan orsaka skada.
13. Gå inte vidare till nästa bindningsställe förrän den aktuella trådbindningsprocessen är slutförd. Om inte detta följs kan du bli skadad.
14. Var uppmärksam på var trådändan finns under hela trådbindningsprocessen. I annat fall kan du fastna med handen i trådändan och bli skadad.
15. Rör inte vid kontaktplattan under trådbindningsprocessen. Om du behöver röra vid kontaktplattan, se då till att låsa avtryckaren, eller stäng av strömbrytaren och ta bort batterikassetten. Om inte detta följs kan du bli skadad.
16. När du har slutfört trådbindningsprocessen drar du upp verktyget vertikalt. I annat fall kan armen fastna i armeringsjärnen, vilket kan leda till en olycka.
17. Var försiktig så att du inte tappar verktyget eller utsätter det för stötter eller slag. Om en stark stöt inträffar innan verktyget används, försäkra dig då om att verktyget inte är skadat eller sprucket och att säkerhetsanordningarna fungerar normalt. Om inte detta följs kan en olycka inträffa.
18. Om något av följande fenomen inträffar, läs då avtryckaren, stäng av strömbrytaren och ta ut batterikassetten ur verktyget. Om verktyget körs felaktigt kan en olycka inträffa.
 - Om ljudet av körning hörs så fort batterikassetten sätts i.
 - Om överhettning eller onormala lukter eller ljud upptäcks.
 - När du vidtar åtgärder som svar på fel-displayen. (Kontakta ditt lokala Makita-servicecenter för reparation.)
 - Vid insättning eller uttagning av en trådvinda.
 - När du rör dig medan du håller verktyget under arbetet.
 - När du inte använder verktyget.
 - När du inspekterar eller justerar verktyget.
 - När du tar bort en tråd som fastnat.
19. När du arbetar på en byggnadsställning ska den alltid vara stabiliserad och du ska arbeta med en sådan kroppsställning att du håller balansen. Om byggnadsställningen är instabil kan en olycka inträffa.
20. När du arbetar på ett tak eller liknande ställen, flytta dig då i riktning framåt under arbetet, så att du kan se vart du går. Om du rör dig baklänges under arbetet kan du tappa fotfästet och orsaka olycka.
21. Om du arbetar på ett högt beläget ställe, se då till att ingen är nedanför dig, och var noga med att inte tappa några verktyg medan du arbetar. Att tappa verktyget kan orsaka en olycka.
22. Använd inte verktyget till något annat arbete än trådbindning. Om inte detta följs kan en olycka inträffa.

23. Använd alltid Makitas egna trådar. Om trådar inte används under en lång tid kan de rosta. Använd inte rostiga trådar. Det kan orsaka en olycka.
24. Efter bindning ska du titta efter om träden brustit någonstans p.g.a. att den snott sig kraftigt. Om några trådar är brustna går bindingsstyrkan förlorad. Justera bindingsstyrkan och bind armeringsjärnen igen.
25. Placera armen säkert mot armeringsjärnen. Om den inte sitter säkert skapas ett mellanrum mellan armeringsjärnen och bindingsstyrkan blir sämre.
11. När batterikassetten ska kasseras måste den tas bort från maskinen och kasseras på ett säkert sätt. Följ lokala föreskrifter beträffande avfallshandtering av batteriet.
12. Använd endast batterierna med de produkter som specificerats av Makita. Att använda batterierna med ej godkända produkter kan leda till brand, överdriven värme, explosion eller utläckande elektrolyt.
13. Om maskinen inte används under en lång tid måste batteriet tas bort från maskinen.
14. Under och efter användning kan batterikassetten bli het vilket kan orsaka brännskador eller lättare brännskador. Var uppmärksam på hur du hanterar varma batterikassetter.
15. Vidrör inte verktygets kontakter direkt efter användning eftersom de kan bli heta och orsaka brännskador.
16. Låt inte flisor, damm eller smuts fastna i kontaktarna, i hål eller spår i batterikassetten. Det kan leda till dålig prestanda eller till att verktyget eller batterikassetten går sönder.
17. Såvida inte verktyget stöder arbeten i närheten av högspänningsledningar får batterikassetten inte användas i närheten av en högspänningsledning. Det kan leda till att verktyget eller batterikassetten går sönder eller inte fungerar korrekt.
18. Förvara batteriet utom räckhåll för barn.

Viktiga säkerhetsanvisningar för batterikassetten

1. Innan batterikassetten används ska alla instruktioner och varningsmärken på (1) batteriladdaren, (2) batteriet och (3) produkten läsas.
2. Montera inte isär eller mixtra med batterikassetten. Det kan leda till brand, överdriven värme eller explosion.
3. Om drifttiden blivit avsevärt kortare ska användningen avbrytas omedelbart. Det kan uppstå överhettning, brännskador och t o m en explosion.
4. Om du får elektrolyt i ögonen ska de sköljas med rent vatten och läkare uppsöks omedelbart. Det finns risk för att synen förloras.
5. Kortslut inte batterikassetten.
 - (1) Rör inte vid polerna med något strömförande material.
 - (2) Undvik att förvara batterikassetten tillsammans med andra metallobjekt som t.ex. spikar, mynt o.s.v.
 - (3) Skydda batteriet mot vatten och regn. En batterikortslutning kan orsaka ett stort strömflöde, överhettning, brand och maskinhaveri.
6. Förvara och använd inte verktyget och batterikassetten på platser där temperaturen kan nå eller överstiga 50 °C.
7. Bränn inte upp batterikassetten även om den är svårt skadad eller helt utsliten. Batterikassetten kan explodera i öppen eld.
8. Spika inte i, krossa, kasta, tappa eller slå batterikassetten mot hårda föremål. Dylåka händelser kan leda till brand, överdriven värme eller explosion.
9. Använd inte ett skadat batteri.
10. De medföljande litiumjonbatterierna är föremål för kraven i gällande lagstiftning för farligt gods.

För kommersiella transporter (av t.ex. tredje parter som speditorsfirmor) måste de särskilda transportkrav som anges på emballaget och etiketter iakttas.

För att förbereda den produkt som ska avsändas krävs att du konsulterar en expert på riskmaterial. Var också uppmärksam på att det i ditt land kan finnas ytterligare föreskrifter att följa.

Tejpa över eller maskera blottade kontakter och packa batteriet på sådant sätt att det inte kan röra sig fritt i förpackningen.

SPARA DESSA ANVISNINGAR.

⚠FÖRSIKTIGT: Använda endast äkta Makita-batterier. Användning av oäkta Makita-batterier eller batterier som har manipulerats kan leda till person- och utrustningsskador eller till att batteriet fattar eld. Det upphäver också Makitas garanti för verktyget och laddaren.

Tips för att uppnå batteriets maximala livslängd

1. Ladda batterikassetten innan den är helt urladdad. Stanna alltid maskinen och ladda batterikassetten när du märker att maskinen blir svagare.
2. Ladda aldrig en fulladdad batterikassett. Överladdning förkortar batteriets livslängd.
3. Ladda batterikassetten vid en rumstemperatur på 10 °C - 40 °C. Låt en varm batterikassett svalna innan den laddas.
4. När batterikassetten inte används ska den tas bort från verktyget eller laddaren.
5. Ladda batterikassetten om du inte har använt den på länge (mer än sex månader).

FUNKTIONSBESKRIVNING

⚠ FÖRSIKTIGT: Se alltid till att maskinen är avstängd och batterikassetten borttagen innan du justerar maskinen eller kontrollerar dess funktioner.

Montera eller demontera batterikassetten

⚠ FÖRSIKTIGT: Stäng alltid av maskinen innan du monterar eller tar bort batterikassetten.

⚠ FÖRSIKTIGT: Håll stadigt i maskinen och batterikassetten när du monterar eller tar bort batterikassetten. I annat fall kan det leda till att de glider ur dina händer och orsakar skada på maskinen och batterikassetten samt personskada.

► **Fig.1:** 1. Röd indikator 2. Knapp 3. Batterikassett

Ta bort batterikassetten genom att skjuta ner knappen på kassetterns framsida samtidigt som du drar ut batterikassetten.

Sätt i batterikassetten genom att rikta in tungan på batterikassetten mot spåret i höljet och skjuta den på plats. Tryck in kassetten hela vägen tills den låser fast med ett klick. Om du kan se den röda indikatorn på knappens ovansida är den inte låst ordentligt.

⚠ FÖRSIKTIGT: Sätt alltid i batterikassetten helt tills den röda indikatorn inte längre syns. I annat fall kan den oväntat falla ur verktyget och skada dig eller någon annan.

⚠ FÖRSIKTIGT: Montera inte batterikassetten med våld. Om kassetten inte lätt glider på plats är den felinsatt.

Indikerar kvarvarande batterikapacitet

Endast för batterikassetter med indikator

► **Fig.2:** 1. Indikatorlampor 2. Kontrollknapp

Tryck på kontrollknappen på batterikassetten för att se kvarvarande batterikapacitet. Indikatorlamporna lyser i ett par sekunder.

Indikatorlampor			Kvarvarande kapacitet
Upplyst	Av	Blinkar	
■	□	◐	75% till 100%
■	■	■	
■	■	□	
■	■	□	50% till 75%
■	□	□	25% till 50%
■	□	□	0% till 25%
◐	□	□	Ladda batteriet.
■	■	□	Batteriet kan ha skadats.
□	□	■	

OBS: Beroende på användningsförhållanden och den omgivande temperaturen kan indikationen skilja sig lätt från den faktiska batterikapaciteten.

OBS: Den första (längst till vänster) indikatorlampan kommer att blinka när batteriskyddssystemet fungerar.

Skyddssystem för maskinen/batteriet

Verktyget är utrustat med ett skyddssystem för verktyget/batteriet. Detta system bryter automatiskt strömmen till motorn för att förlänga verktygets och batteriets livslängd. Verktyget stoppar automatiskt under användningen om verktyget eller batteriet hamnar i en av följande situationer:

Överbelastningsskydd

När batteriet används på ett sätt som gör att det drar onormalt mycket ström, stannar verktyget automatiskt och motsvarande felnummer visas på displaypanelen. När detta sker stänger du av verktyget och upphör med arbetet som gjorde att det överbelastades. Starta därefter upp verktyget igen.

Överhettningsskydd

När verktyget eller batteriet överhettas stoppas det automatiskt och motsvarande felnummer visas på displaypanelen. I sådant fall ska du låta verktyget och batteriet svalna innan verktyget sätts på igen.

Överurladdningsskydd

När batterikapaciteten inte är tillräcklig stannar verktyget automatiskt och motsvarande felnummer visas på displaypanelen. I sådant fall ska batteriet tas ur verktyget och laddas.

Strömbrytare

⚠ FÖRSIKTIGT: När du sätter på strömmen ska du aldrig ha armar, ben eller ansikte nära verktygsspetsens bindande eller roterande delar. Om inte detta följs kan du bli skadad.

⚠ FÖRSIKTIGT: Rör aldrig vid verktygsspetsens bindande eller roterande delar när strömmen sätts på. Om inte detta följs kan du bli skadad.

⚠ FÖRSIKTIGT: Innan du sätter i batterikassetten, se till att ta bort fingrarna från avtryckaren och läs den. Om du sätter i batterikassetten medan avtryckaren trycks, kan det orsaka en olycka om trådbindningsprocessen råkar utföras oavsiktligt.

► **Fig.3**

När du trycker på strömbrytaren sätts strömmen på och lampan för bindingsläge tänds. För att verktyget ska justera sitt ursprungsläge är det igång tillfälligt. När justeringen är slutförd stannar verktyget automatiskt. När du trycker på strömbrytaren igen stängs strömmen av och lampan för bindingsläge släcks.

► **Fig.4:** 1. Lampa för bindingsläge 2. Strömbrytare

OBS: Verktyget har en automatisk avstängningsfunktion. Om avtryckaren inte trycks på 10 minuter, stängs verktyget automatiskt av för att minska batteriförbrukningen.

OBS: Sätt på strömmen igen för att starta om verktyget.

Knapp för lägesbyte

När strömmen är på och lampan för bindningsläge är tänd, kan du välja det enskilda utlösningsläget eller det kontinuerliga utlösningsläget via lägesbytesknappen. När du sätter på strömmen igen startar verktyget i det läge som valdes senast.

► **Fig. 5:** 1. Knapp för lägesbyte 2. Enskilt utlösningsläge 3. Kontinuerligt utlösningsläge

Avtryckarens funktion

⚠ VARNING: Innan du sätter i batterikassetten i maskinen ska du kontrollera att avtryckaren fungerar och återgår till läget "OFF" när du släpper den.

⚠ FÖRSIKTIGT: När maskinen inte används ska startspärren vara intryckt från sidan  för att låsa avtryckaren i det avstängda läget OFF.

► **Fig. 6:** 1. Avtryckare 2. Startspärr

Startspärren förhindrar att verktyget startas oavsiktligt. Tryck in lås-knappen för avtryckaren från sidan A och tryck sedan in avtryckaren för att starta maskinen. Släpp avtryckaren för att stoppa maskinen. Tryck in startspärren från sidan B efter användning.

När du trycker på avtryckaren utför verktyget följande funktioner i ordningsföljd, och stannar sedan automatiskt.

1. Tråden matas fram.
2. Tråden skärs av.
3. Haken håller och vrider tråden.
4. Haken återgår till det ursprungliga läget.

Inställning av bindningsstyrka

⚠ FÖRSIKTIGT: Se till att låsa avtryckaren innan du inleder justeringen. När du sätter på strömmen ska du aldrig ha armar, ben eller ansikte nära verktygsspetsens bindande eller roterande delar. Om inte detta följs kan du bli skadad.

► **Fig. 7**

Du kan ställa in bindningsstyrkan med justeringsknappen för bindningsstyrka. Bindningsstyrka visas på displaypanelen.

► **Fig. 8:** 1. Justeringsknapp för bindningsstyrka 2. Displaypanel

Om tråden är avbruten går bindningsstyrkan förlorad. Efter bindning kontrollerar du den vridna delen för att se om det är brustet någonstans.

Om tråden har gått av justerar du bindningsstyrkan med justeringsknappen för bindningsstyrka, och binder armeringsjärnen igen.

Meddelande om kvarvarande batterikapacitet

När batterispänningen sjunker under den nivå som behövs, slutar verktyget att fungera, en felsignal ljuder och numret "4" visas på displaypanelen. Felsignalen fortsätter ljuda tills strömmen stängs av.

OBS: Om omgivningstemperaturen är extremt låg kan felsignalen ljuda även när batteriet har tillräckligt med ström.

MONTERING

⚠ FÖRSIKTIGT: Se alltid till att maskinen är avstängd och batterikassetten borttagen innan du underhåller maskinen.

Ladda bindtråden (trådvindan)

⚠ FÖRSIKTIGT: Innan bindtrådar och tillbehör monteras eller avmonteras, se till att stänga av strömmen, låsa avtryckaren och ta bort batterikassetten. Att inte göra detta kan orsaka en olycka.

OBSERVERA: Att använda andra trådar än Makitas egna bindtrådar kan medföra felfunktion på verktyget.

1. Tryck på frigöringsspaken och lås den med låsspaken.
- **Fig. 9:** 1. Frigöringsspak 2. Låsspak

När du trycker på frigöringsspaken bildas ett mellanrum mellan vänster och höger matningskugghjul.

► **Fig. 10:** 1. Frigöringsspak 2. Låsspak 3. Matningskugghjul

2. Öppna vindans skydd.

► **Fig. 11:** 1. Skydd för vindan

3. Montera trådvindan på verktyget i den riktning som visas på bilden.

► **Fig. 12:** 1. Trådvinda

OBSERVERA: Se till att montera trådvindan i den riktning som visas på bilden. Om den är monterad tvärtom frigörs tråden och kan sno sig.

4. Haka av trådens spets från vindans krok.

► **Fig. 13:** 1. Krok

5. Gör trådens spets rak och dra tråden genom ledaren.

► **Fig. 14:** 1. Ledare

OBS: Om trådens spets blir böjd när den passerar genom ledaren, så kan tråden fastna i verktyget.

OBS: Om du tvingar fram tråden genom ledaren kan den fastna.

6. Dra ut tråden ca 10 mm från armens spets.

► **Fig. 15:** 1. Arm 2. Ca 10 mm

OBSERVERA: Om längden på den utdragna tråden är otillräcklig kan tråden brytas av när den binds, eller så kan bindningsstyrkan bli sämre p.g.a. otillräcklig lindning.

7. Veva tillbaka tråden så att den inte är slak någonstans.

► Fig.16

8. Lossa låsspaken. Frigöringsspaken återgår och tråden hålls fast av vänster och höger kuggjul.

► Fig.17: 1. Frigöringsspak 2. Låsspak

► Fig.18: 1. Kuggjul 2. Trädens bana 3. Tråd

OBSERVERA: När låsspaken lossas och när vänster och höger kuggjul går in i varandra, bildar fårorna i kugghjulen ett utrymme. Detta utrymme blir trädens bana. Se till att tråden leds genom denna bana.

9. Stäng vindans skydd.

► Fig.19: 1. Skydd för vindan

ANVÄNDNING

Kontroll före arbetet

FÖRSIKTIGT: Om verktyget har ett problem med säkerhetsmekanismen ska det inte användas. Om du fortsätter använda det kan en olycka inträffa.

Se till innan du använder verktyget att säkerhetsmekanismen fungerar normalt. Om verktyget körs utan att säkerhetsmekanismen är igång, sluta då genast använda verktyget. Kontakta ditt lokala Makita-servicecenter för reparation.

Kontrollera avtryckarspärren

Verktyget har avtryckarspärren för att hindra att verktyget är igång när du inte tänker använda det. Läs avtryckaren och kontrollera att avtryckaren inte går att trycka på.

Kontrollera böjledaren

För att användaren inte ska kunna röra vid verktygs-spetsens bindande eller roterande delar av misstag, körs inte verktyget även om avtryckaren trycks in, så länge böjledaren är öppen. När användaren tar bort fingret från avtryckaren och stänger böjledaren, kan verktyget köras.

► Fig.20: 1. Böjledare

Kontroll av avkänning av öppen/stängd böjledare

Ta bort bindtråden, kontrollera verktygets funktion enligt följande steg och försäkra dig om att verktyget inte startar om böjledaren är öppen.

1. Stäng av strömmen och lämna böjledaren öppen.
2. Sätt på strömmen.

Om verktyget inte fungerar och värdet "2" visas på displaypanelen, så är verktygets tillstånd normalt. Stäng av strömmen och stäng böjledaren.

Om verktyget fungerar och inget fel visas på displaypanelen, så är verktygets tillstånd onormalt. Avbryt omedelbart användningen av verktyget och fråga ditt lokala Makita-servicecenter om reparation.

FÖRSIKTIGT: Om du öppnar böjledaren och sätter på strömmen för att kontrollera spärren, håll då böjledaren enligt bilden. Ha aldrig armar, ben eller ansikte nära verktygsspetsens bindande eller roterande delar. Om inte detta följs kan du bli skadad.

► Fig.21

Bindningsarbete

FÖRSIKTIGT: Innan du sätter i batterikassetten, se till att ta bort fingrarna från avtryckaren och lås den. Om du sätter i batterikassetten medan avtryckaren trycks, kan det orsaka en olycka om trådbindningsprocessen råkar utföras oavsiktligt.

FÖRSIKTIGT: När du sätter på strömmen ska du aldrig ha armar, ben eller ansikte nära verktygsspetsens bindande eller roterande delar. Om inte detta följs kan du bli skadad.

FÖRSIKTIGT: Rör aldrig vid verktygsspetsens bindande eller roterande delar när strömmen sätts på. Om inte detta följs kan du bli skadad.

► Fig.22

Förberedelse före arbetet

1. Se till att batterikassetten är borttagen och spärren låst.
2. Sätt i batterikassetten i verktyget och sätt på strömmen. När du sätter på strömmen skärs tråden av automatiskt.

OBSERVERA: Försäkra dig om att lampan för bindingsläge tänds när strömmen sätts på. Om den inte tänds, ladda om batteriet.

3. Släpp avtryckarspärren.

► Fig.23: 1. Startspår 2. Avtryckare 3. Strömbrytare 4. Lampa för bindingsläge

Enskilt utlösningssläge

1. Skjut armen säkert mot bindingsstället. Skjut verktyget vertikalt mot armeringsjärnen, och tryck armen mot den punkt där armeringsjärnen korsas i 45 graders vinkel.

► Fig.24

2. Tryck in avtryckaren en gång.
3. Tråden matas fram och skärs av automatiskt.
4. Haken håller och vrider tråden, och återgår sedan till ursprungsläget efter att trådarna har bundits.

► Fig.25

5. Efter bindningen, var noga med att inte haka armen på armeringsjärnen och dra upp verktyget.

FÖRSIKTIGT: Om tråden har fastnat på verktygsspetsens bindande del, stäng då av strömmen till verktyget. Lås avtryckaren, ta bort batterikassette och ta bort tråden med verktyg som kniptång eller tång.

► Fig.26

Kontinuerligt utlösningsläge

1. Växla verktygsläget från det enskilda utlösningsläget till det kontinuerliga utlösningsläget med lägesbytesknappen.

► **Fig.27:** 1. Knapp för lägesbyte

2. Släpp avtryckarspärren.

3. När avtryckaren trycks in, skjut verktyget vertikalt mot armeringsjärnen, och tryck armen mot den punkt där armeringsjärnen korsas i 45 graders vinkel. Tryck kontaktplattan stadigt mot bindingsstället. Tråden binds.

► **Fig.28:** 1. Kontaktplatta

4. Efter bindningen, var noga med att inte haka armen på armeringsjärnen och dra upp verktyget.

► **Fig.29**

Försiktighetsåtgärder vid arbetet

- Om du flyttar armen från bindingspositionen under trådbindningsprocessen, så fastnar tråden på haken, vilket kan leda till felaktig bindning.
- Fortsätt trycka verktyget mot armeringsjärnen tills trådbindningsprocessen är slutförd.
- Gå inte vidare till nästa bindingsställe förrän den aktuella trådbindningsprocessen är slutförd.
- Verktygsspetsens roterande del (haken) vrider tråden under trådbindningsprocessen. Håll stadigt i handtaget så att du inte dras med av verktyget.
- Rör inte vid trådarna under trådbindningsprocessen.
- Om du upprepar trådbindningsprocesserna i det enskilda utlösningsläget, släpper du fingret helt från avtryckaren. Fortsätt sedan använda avtryckaren.
- Om du drar in avtryckaren när det inte är någon bindtråd kvar, så visas ett fel. Byt ut mot en ny bindtråd och starta om verktyget.

Tips för bindning

• Luta verktyget i 45° vinkel mot de korsade armeringsjärnen och bind växelvis enligt bilden.

► **Fig.30**

• Undvik många ansamlade sektioner av armeringsjärn.

► **Fig.31**

• Om bindingsstyrkan är otillräcklig, ändra bindningsriktning och utför bindning två gånger så att bindingsstyrkan ökar.

► **Fig.32**

OBSERVERA: När du gör den andra bindningen böjer du bakänden av den första bindningen innan du gör den andra. I annat fall kan tråden slå tillbaka en andra gång. Den kan fastna på verktygsspetsen och haken kan skadas.

Byta bindtrådarna

⚠FÖRSIKTIGT: När du byter tråden, se till att stänga av strömmen, låsa avtryckaren och ta bort batterikassetten. Att inte göra detta kan orsaka en olycka.

1. När tråden har förbrukats ljuder en felsignal och felet "1" visas.

2. Lås avtryckaren, stäng av strömmen och ta bort batterikassetten.

3. Tryck på frigöringsspaken och lås den med låsspaken.

► **Fig.33:** 1. Frigöringsspak 2. Låsspak

4. Ta bort trådvindan från verktyget.

OBS: När tråden har förbrukats normalt är ca 20 cm av tråden kvar upplindad på vindan. Då ska trådvindan bytas ut mot en ny.

Om det är svårt att ta bort trådvindan från verktyget, följ då stegen nedan.

1. Sätt in batterikassetten i verktyget och sätt på strömmen. Verktyget matar fram tråden och skär av den automatiskt.

2. Lås avtryckaren, stäng av strömmen och ta bort batterikassetten.

3. Ta bort de brutna trådarna med verktyg som knip-tång eller tång.

UNDERHÅLL

⚠FÖRSIKTIGT: Se alltid till att maskinen är avstängd och batterikassetten borttagen innan inspektion eller underhåll utförs.

OBSERVERA: Använd inte bensin, förtunningsmedel, alkohol eller liknande. Missfärgning, deformation eller sprickor kan uppstå.

För att upprätthålla produktens SÄKERHET och TILLFÖRLITLIGHET bör allt underhålls- och justeringsarbete utföras av ett auktoriserat Makita servicecenter och med reservdelar från Makita.

Rengöra knivdelen

När verktyget används kan damm och trådpartiklar sätta sig fast på knivdelen. Rengör i så fall knivdelen enligt följande rutin. Rengöringen bör göras varje gång du förbrukat en vindlåda. (50 st.)

Använda stålborsten

1. Öppna vindans skydd.

► **Fig.34:** 1. Skydd för vindan

2. Tryck på frigöringsspaken och lås den med låsspaken.

► **Fig.35:** 1. Frigöringsspak 2. Låsspak

3. För stålborsten genom ledaren.

Håll stålborsten kort när den förs in och skjut in den i ledaren en liten bit i taget.

► **Fig.36:** 1. Stålborste

► **Fig.37:** 1. Kuggghjul 2. Ledare 3. Stålborste

4. Skjut in stålborsten tills den kommer ut ca 10 mm från armens spets. Dra sedan ut stålborsten. Det räcker att göra detta en gång.

► **Fig.38:** 1. Arm 2. Stålborste

5. Stäng vindans skydd.

► **Fig.39:** 1. Skydd för vinden

Använda luftblåsaren

Öppna vindans skydd, tryck på frigöringsspaken och lås den med låsspaken. För sedan luftblåsaren nära ledaren och blås luft. Se till att luften kommer från armens spets.

► **Fig.40:** 1. Luftblåsare 2. Ledare

Rengöring med nedmontering

Om knivdelen är tilltäppt eller en tråd har fastnat i den, montera då isär delarna och rengör dem.

Nedmontering och rengöring

1. Lossa bultarna A och B med hjälp av insexnyckeln som ingår i verktygspaketet.

► **Fig.41:** 1. Insexnyckel

► **Fig.42:** 1. Bult A 2. Bult B 3. Skydd för kontaktplatta 4. Trådleddare B

OBSERVERA: Ta inte med våld bort några bultar som inte kan tas bort med insexnyckeln.

2. Dra upp skyddet för kontaktplattan i pilens riktning och ta bort det. Bult B tas bort på samma gång.

► **Fig.43:** 1. Skydd för kontaktplatta 2. Bult B

3. Ta bort bult A och ta bort trådleddare B.

► **Fig.44:** 1. Bult A 2. Trådleddare B

4. Vänd på trådleddare B och rengör dess insida.

► **Fig.45**

5. Ta bort kniv A, kniv B, topplattan och länkmarm A från armplatta A. Rengör dem sedan.

► **Fig.46:** 1. Kniv B 2. Länkmarm A 3. Kniv A 4. Armplatta A 5. Topplatta

Montering

När rengöringen är slutförd monterar du delarna enligt följande rutin.

1. Installera kniv A och länkmarm A så det passar formen på armplatta A.

► **Fig.47:** 1. Kniv A 2. Länkmarm A 3. Armplatta A

2. Installera kniv B och topplattan på armplattan A. (Installera kniv B på kniv A och länkmarm A.)

► **Fig.48:** 1. Kniv B 2. Topplatta 3. Armplatta A 4. Kniv A 5. Länkmarm A

OBSERVERA: Rikta utsprånget på kniv B neråt och installera kniven så som bilden visar.

3. Passa in verktygets rör med färan inuti trådleddaren B, och montera dem.

► **Fig.49:** 1. Rör 2. Spår 3. Trådleddare B

4. Fäst trådleddare B genom att tillfälligt späna åt bult A.

► **Fig.50:** 1. Bult A 2. Trådleddare B

5. Installera skyddet för kontaktplattan i pilens riktning.

► **Fig.51:** 1. Skydd för kontaktplatta

6. Fäst trådleddare B och skyddet för kontaktplattan säkert genom att späna åt bult A och bult B.

► **Fig.52:** 1. Trådleddare B 2. Skydd för kontaktplatta 3. Bult A 4. Bult B

7. Kontrollera efter montering att kontaktplattan rör sig så som visas på bilden.

► **Fig.53:** 1. Kontaktplatta

OBS: Om kontaktplattan fastnar, tryck då på den så som visas på bilden.

► **Fig.54**

Feldisplay och felsignal

⚠ FÖRSIKTIGT: Se till under inspektion att låsa avtryckaren, stänga av strömmen och ta bort batterikassetten. Att inte göra detta kan orsaka en olycka.

⚠ FÖRSIKTIGT: När du sätter på strömmen ska du aldrig ha armar, ben eller ansikte nära verktygsspetsens bindande eller roterande delar. Om inte detta följs kan du bli skadad.

⚠ FÖRSIKTIGT: Rör aldrig vid verktygsspetsens bindande eller roterande delar när strömmen sätts på. Om inte detta följs kan du bli skadad.

⚠ FÖRSIKTIGT: Om en felsignal ljuder, eller om det blir fel på verktyget, ska du genast sluta använda verktyget.

Felsignal och display

Om ett fel inträffar ljuder en felsignal, och ett felnummer visas på displaypanelen. Se följande tabell och vidta lämpliga åtgärder. Om felet kvarstår, kontakta ett auktoriserat Makita-servicecenter för reparation.

Display	Symptom	Möjlig orsak	Lösning
1	Verktyget slutar fungera.	Tråden har förbrukats.	Sätt i ny bindtråd.
		Bindtråd har inte satts i.	Sätt i bindtråd.
		Det har blivit fel på trådmattningen.	Kontrollera bindtrådens riktning. Ta ur bindtråden och sätt i den igen. Rengör trådens bana.
2	Verktyget slutar fungera.	Böjledaren är öppen.	Stäng böjledaren.
3	Verktyget utför inte bindningsprocessen i kontinuerligt utlösningläge.	Kontaktplattan har fastnat.	Ta loss kontaktplattan där den fastnat.
4	Verktyget startar inte. Verktyget slutar fungera.	Batteriet har laddats ur. Batterikassetens temperatur är onormalt hög.	Ladda om batteriet. Låt batterikassetten svalna. Byt batterikassetten mot en fulladdad.
5	Verktyget slutar fungera.	Motorn är överbelastad.	Fastställ vad som hindrar motorns rotation och lös problemet.
		Motorfel	
6	Verktyget slutar fungera.	Verktygets temperatur är onormalt hög.	Kyl av verktyget.
7	Verktyget startar inte. Verktyget slutar fungera.	Fel på verktyget	Fråga ett auktoriserat Makita-servicecenter om reparation.

VALFRIA TILLBEHÖR

⚠ FÖRSIKTIGT: Följande tillbehör eller tillsatser rekommenderas för användning med den Makita-maskin som denna bruksanvisning avser.

Om andra tillbehör eller tillsatser används kan det uppstå risk för personskador. Använd endast tillbehören eller tillsatserna för de syften de är avsedda för.

Kontakta ditt lokala Makita servicecenter om du behöver ytterligare information om dessa tillbehör.

- Bindtråd
- Stålbörste
- Förlängningshandtag
- Makitas originalbatteri och laddare

OBS: Några av tillbehören i listan kan vara inkluderade i maskinpaketet som standardtillbehör. De kan variera mellan olika länder.

TEKNISKE DATA

Modell:		DTR180
Vaier til binding (ekstrautstyr)		ø0,8 mm
Diameter på armeringsjern som kan bindes		Fra #3 x #3 til (#4 x 2) x (#4 x 2) Fra 10 mm x 10 mm til (13 mm x 2) x (13 mm x 2)
Omtrentlig antall bindinger pr. spole	Herdet jernbindetråd	Ca. 120 bindinger
	Galvanisert bindetråd	Ca. 120 bindinger
	Polybelagt bindetråd	Ca. 105 bindinger
Total lengde		304 mm
Nominell spenning		DC 14,4/18 V
Nettovekt		2,3 - 2,6 kg

- På grunn av vårt kontinuerlige forsknings- og utviklingsprogram kan spesifikasjonene som oppgis i dette dokumentet endres uten varsel.
- Spesifikasjoner og batteriinnsett kan variere fra land til land.
- Vekten kan variere avhengig av tilbehøret/tilbehørene, inkludert batteriet. Den letteste og tyngste kombinasjonen, i henhold til EPTA-prosedyre 01/2014, vises i tabellen.

Passende batteri og lader

Batteriinnsett	DC 14,4 V modell	BL1415N / BL1430B / BL1440 / BL1460B
	DC 18 V modell	BL1815N / BL1820B / BL1830B / BL1840B / BL1850B / BL1860B
Lader	DC18RC / DC18RD / DC18RE / DC18SD / DC18SE / DC18SF / DC18SH	

- Noen av batteriene og laderne som er opplistet ovenfor er kanskje ikke tilgjengelige, avhengig av hvor du bor.

⚠ ADVARSEL: Bruk kun de batteriene og laderne som er opplistet ovenfor. Bruk av andre batterier og ladere kan føre til personskader og/eller brann.

Sammenstilling av armeringsjern som kan bindes

Sammenstilling av 2 armeringsjern

	#3 (10 mm)	#4 (13 mm)	#5 (16 mm)
#3 (10 mm)	✓	✓	✓
#4 (13 mm)	✓	✓	✓
#5 (16 mm)	✓	✓	✓

Sammenstilling av 3 armeringsjern

	#3 x #3 (10 mm x 10 mm)	#4 x #4 (13 mm x 13 mm)
#3 (10 mm)	✓	✓
#4 (13 mm)	✓	✓
#5 (16 mm)	✓	-

Sammenstilling av 4 armeringsjern

	#3 x #3 (10 mm x 10 mm)	#4 x #4 (13 mm x 13 mm)
#3 x #3 (10 mm x 10 mm)	✓	✓
#4 x #4 (13 mm x 13 mm)	✓	✓

OBS: Hvis det er et mellomrom mellom armeringsjernene eller hvis verktøyet brukes fra feil retning, er det mulig at armeringsjernet ikke kan bindes.

Symboler

Nedenfor ser du symbolene som kan brukes for dette utstyret. Forviss deg om at du forstår hva de betyr, før du begynner å bruke maskinen.



Les bruksanvisningen.



Bruk vernebriller.



Må ikke utsettes for regn.



Hold hendene unna vairspolen når du bruker verktøyet.



Hold hendene unna verktøypissens.



Ni-MH
Li-Ion

Kun for EU-land
Kast aldri elektroutstyr eller batteripakker i husholdningsavfallet!
I henhold til EU-direktivene om kasserte elektriske og elektroniske produkter, og om batterier og akkumulatører og brukte batterier og akkumulatører og direktivenes iverksetning i nasjonal rett, må elektriske produkter og batterier og batteripakker som ikke lenger skal brukes, samles separat og returneres til et miljøvennlig gjenvinningsanlegg.

Riktig bruk

Verktøyet skal brukes til binding av armeringsjern.

Støy

Typisk A-vektet lydtrykknivå er bestemt i henhold til EN60745-2-18 (EN12549):
Lydtrykknivå (L_{pA}): 78 dB (A)
Usikkerhet (K): 3 dB (A)

Støynivået under arbeid kan overskride 80 dB (A).

MERK: Den/de oppgitte verdien(e) for genererte vibrasjoner har blitt målt i henhold til standard testmetoder, og kan bli brukt til å sammenligne ett verktøy med et annet.

MERK: Den/de angitte verdien(e) for de genererte vibrasjonene kan også brukes til en foreløpig vurdering av eksponeringen.

⚠ADVARSEL: Bruk hørselsvern.

⚠ADVARSEL: De genererte vibrasjonene ved faktisk bruk av elektroverktøyet kan avvike fra den/de angitte vibrasjonsverdien(e), avhengig av hvordan verktøyet brukes.

⚠ADVARSEL: Sørg for å identifisere vernetiltak for å beskytte operatøren, som er basert på et estimat av eksponeringen under de faktiske bruksforholdene (idet det tas hensyn til alle deler av driftssyklusen, dvs. hvor lenge verktøyet er slått av, hvor lenge det går på tomgang og hvor lenge startbryteren faktisk holdes trykket).

Vibrasjoner

Den totale vibrasjonsverdien (triaksial vektorsum) bestemt i henhold EN60745-2-18 (ISO8662-11):
Arbeidsmodus: Binding av metallstang
Genererte vibrasjoner (a_n): 2,5 m/s^2 eller mindre
Usikkerhet (K): 1,5 m/s^2

MERK: Den/de oppgitte verdien(e) for totalt genererte vibrasjoner har blitt målt i henhold til standard testmetoder, og kan bli brukt til å sammenligne ett verktøy med et annet.

MERK: Den/de angitte verdien(e) for totalt genererte vibrasjoner kan også brukes til en foreløpig vurdering av eksponeringen.

⚠ADVARSEL: De genererte vibrasjonene ved faktisk bruk av elektroverktøyet kan avvike fra den/de angitte vibrasjonsverdien(e), avhengig av hvordan verktøyet brukes og spesielt i forhold til arbeidsstykket som blir behandlet.

⚠ADVARSEL: Sørg for å identifisere vernetiltak for å beskytte operatøren, som er basert på et estimat av eksponeringen under de faktiske bruksforholdene (idet det tas hensyn til alle deler av driftssyklusen, dvs. hvor lenge verktøyet er slått av, hvor lenge det går på tomgang og hvor lenge startbryteren faktisk holdes trykket).

EFs samsvarserklæring

Gjelder kun for land i Europa

EFs samsvarserklæring er lagt til som vedlegg A i denne bruksanvisningen.

SIKKERHETSADVARSEL

Generelle advarsler angående sikkerhet for elektroverktøy

⚠ADVARSEL: Les alle sikkerhetsadvarsler, instruksjoner, illustrasjoner og spesifikasjoner som følger med dette elektroverktøyet. Hvis ikke alle instruksjonene nedenfor følges, kan det forekomme elektrisk støt, brann og/eller alvorlig skade.

Oppbevar alle advarsler og instruksjoner for senere bruk.

Uttrykket «elektrisk verktøy» i advarslene refererer både til elektriske verktøy (med ledning) tilkoblet strømmenettet, og batteridrevne verktøy (uten ledning).

Sikkerhetsadvarsler for batteridrevet verktøy til binding av armeringsjern

- Du må aldri rette verktøyet mot en annen person. Du må aldri plassere hendene eller føttene dine i nærheten av verktøypissisen.** Hvis du ved et uhell bruker verktøyet mens det berører noen, vil det føre til en uventet ulykke.
- Ikke sett inn vaier mens strømmen til verktøyet er skrudd på.** Hvis du gjør det, kan du sette deg fast i vaieren og bli skadet.
- Ikke bruk verktøyet uten av spoledekslet er lukket.** Hvis du gjør det, kan vaierspulen løsne og forårsake en ulykke.
- Kontroller at diametere på armeringsjernet som skal bindes er innenfor verktøykapasiteten før du begynner å arbeide.**
- Ha på deg klær med stramtsittende fald og ermer. Ikke arbeid med et håndkle eller noe annet rundt halsen.** Hvis du gjør det, kan dette bli fanget opp i den roterende delen og forårsake en ulykke.
- Pass på at du inspiserer følgende punkter før du bruker verktøyet.**
 - Kontroller at ingen deler er skadet
 - Kontroller at ingen bolter er løse
 - Kontroller at sikkerhetsinnretningene virker som de skal
- Hvis du oppdager noen unormale forhold stans bruken av verktøyet umiddelbart. Ikke forsøk å reparere verktøyet selv. Be nærmeste Makita-servicenter om å reparere det.** Hvis verktøyet brukes i når det ikke er helt i stand, kan det føre til ulykke.
- Når du setter inn batterikassetten, må du se til at utløseren er låst og du må ikke plassere fingeren på utløseren.** Feil bruk kan forårsake en ulykke.
- Når du binder armeringsjern må du være forsiktig å ikke bevege dem.** Hvis armeringsjernet beveger seg under binding, kan du bli skadet.
- Ikke berør vaierne i løpet av bindeprosessen.** Hvis du gjør det, kan du sette deg fast i vaieren og bli skadet.
- Ikke sett hendene dine i nærheten av bindepunktet i løpet av bindeprosessen.** Hvis du gjør det, kan du sette deg fast i vaieren og bli skadet.
- Hold godt tak i verktøyet gjennom hele bindeprosessen.** Hvis du ikke gjør det kan håndleddet ditt bli vridd eller kroppen trekkes, noe som kan føre til en ulykke.
- Ikke flytt deg til neste bindingspunkt før den nåværende bindingsprosessen er fullført.** Hvis du gjør dette, kan du bli skadet.
- Vær oppmerksom på enden av vaieren i løpet av bindeprosessen.** Hvis du er uoppmerksom kan hånden bli fanget opp av vaierenden, og du kan bli skadet.
- Ikke berør kontaktplaten i løpet av bindeprosessen. Hvis du må berøre kontaktplaten må du låse utløseren, skru av strømmen og ta ut batteriet.** Hvis du gjør dette, kan du bli skadet.
- Når du er ferdig med vaierbindingen, trekker du verktøyet opp vertikalt.** Hvis du ikke gjør det på den måten kan armen sette seg fast i armeringsjernet, noe som kan føre til en ulykke.
- Vær forsiktig så du ikke mister, eller utsetter verktøyet for støt eller slag. Hvis verktøyet blir utsatt for et kraftig støt før det blir brukt, må du påse at verktøyet ikke er skadet eller har sprukket, og at sikkerhetsinnretningene virker som de skal.** Ellers kan det oppstå en ulykke.
- Hvis noe av det følgende skjer, lås utløseren, skru av strømmen og ta batteriet ut av verktøyet.** Hvis verktøyet ikke virker som det skal, kan det skje en ulykke.
 - Hvis det høres en motorlyd så snart batteriet er montert.
 - Hvis overoppheting eller unormal lukt eller støy høres.
 - Når du gjennomfører tiltak som svar på feilmelding på skjermen. (Be nærmeste Makita-servicenter om å reparere det.)
 - Når du setter inn eller tar ut vaierspulen.
 - Når du beveger deg mens du holder verktøyet i løpet av arbeidet.
 - Når du ikke bruker verktøyet.
 - Når du inspiserer eller justerer verktøyet.
 - Når du fjerner en vaier som sitter fast.
- Ved arbeid på stillas, må dette alltid stabiliseres og du må arbeide i en stilling som sikrer at du holder balansen.** Hvis stillaset er ustabil kan det oppstå en ulykke.
- Ved arbeid på et tak eller på tilsvarende steder, beveg deg fremover mens du arbeider, slik at du kan se hvor du går.** Hvis du beveger deg bakover mens du arbeider, kan du miste fotfestet og det kan skje en ulykke.
- Hvis du arbeider høyt over bakken, må du sikre at det ikke befinner seg noen under deg, og være forsiktig slik at du ikke mister noe verktøy mens du arbeider.** Det kan det føre til en ulykke hvis du mister verktøyet.

22. **Ikke bruk verktøyet til noe annet enn å binde vaier.** Ellers kan det oppstå en ulykke.
23. **Bruk alltid originale vaierne fra Makita.** Hvis vaierne ikke brukes over en lang tidsperiode kan de ruste. Ikke bruk rustne vaier. Dette kan forårsake en ulykke.
24. **Etter at binding er utført, se etter vaierbrudd som skyldes for stor vridning.** Hvis noen vaier har brudd, vil bindestyrken bli borte. Juster bindestyrken og bind armeringsjernene igjen.
25. **Plasser armen sikkert mot armeringsjernet.** Hvis den ikke er sikkert posisjonert, vil det dannes en åpning mellom armeringsjernene, og bindestyrken vil ikke bli god nok.
11. **Når du kasserer batteriinnsetsen, må du ta den ut av verktøyet og avhende den på et sikkert sted.** Følg lokale bestemmelser for avhending av batterier.
12. **Bruk batteriene kun med produkter spesifisert av Makita.** Montere batteriene i produkter som ikke er konforme kan føre til brann, overheting eller elektrolyttlekkasje.
13. **Hvis verktøyet ikke skal brukes over en lengre periode, må batteriet tas ut av verktøyet.**
14. **Under og etter bruk kan batteriet bli varmt og før til brannskader.** Vær forsiktig med håndteringen av varme batterier.
15. **Ikke berør terminalen på verktøyet rett etter bruk, da den kan bli varm og forårsake brannskader.**
16. **Ikke la spon, støv eller jord sette seg fast i terminalene, hullene og sporene i batteriet.** Det kan føre til dårlig ytelse eller at verktøyet eller batteriet slutter å fungere.
17. **Med mindre verktøyet støtter bruk nær en høyspent strømlinje, skal ikke batteriet brukes nær en høyspent strømlinje.** Det kan føre til en funksjonsfeil eller at verktøyet eller batteriet slutter å fungere.
18. **Oppbevar batteriet utilgjengelig for barn.**

Viktige sikkerhetsanvisninger for batteriinnsets

1. **Før du begynner å bruke batteriet, må du lese alle anvisninger og forsiktighetsregler på (1) batteriladeren, (2) batteriet og (3) det produktet batteriet skal brukes i.**
2. **Ikke demonter eller tukle batteriet.** Det kan føre til brann, overoppheting eller eksplosjon.
3. **Hvis driftstiden er blitt vesentlig kortere, må du omgående slutte å bruke maskinen.** Hvis ikke kan resultatet bli overoppheting, mulige forbrenninger eller til og med en eksplosjon.
4. **Hvis du får elektrolytt i øynene, må du skylle dem med store mengder rennende vann og oppsøke lege med én gang.** Denne typen uhell kan føre til varig blindhet.
5. **Ikke kortslett batteriet:**
 - (1) **De kan være ekstremt varme og du kan brenne deg.**
 - (2) **Ikke lagre batteriet i samme beholder som andre metallgjenstander, som for eksempel spiker, mynter osv.**
 - (3) **Ikke la batteriet komme i kontakt med vann eller regn.**

En kortslutning av batteriet kan føre til et kraftig strømstøt, overoppvarming, mulige forbrenninger og til og med til at batteriet går i stykker.
6. **Ikke oppbevar og bruk verktøyet og batteriet på steder hvor temperaturen kan komme opp i eller overskride 50 °C.**
7. **Ikke sett fyr på batteriet, ikke engang om det er sterkt skadet eller helt utslitt.** Batteriet kan eksplodere hvis det begynner å brenne.
8. **Du må ikke spikre, skjære, klemme, kaste eller miste batteriet, og heller ikke slå en hard gjenstand mot batteriet.** En slik oppførsel kan føre til brann, overoppheting eller eksplosjon.
9. **Ikke bruk batterier som er skadet.**
10. **Lithium-ion-batteriene som medfølger er gjenstand for krav om spesialavfall.**

For kommersiell transport, f.eks av tredjeparter eller speditører, må spesielle krav om pakking og merking følges. Før varen blir sendt, må du forhøre deg med en ekspert på farlig materiale. Ta også hensyn til muligheten for mer detaljerte nasjonale bestemmelser. Bruk teip eller maskeringsteip for å skjule åpne kontakter og pakk inn batteriet på en slik måte at den ikke kan bevege seg rundt i emballasjen.

TA VARE PÅ DISSE INSTRUKSENE.

⚠FORSIKTIG: Bruk kun originale Makita-batterier. Bruk av batterier som har endret seg, eller som ikke er originale Makita-batterier, kan føre til at batteriet sprekker og forårsaker brann, personskader og andre skader. Det vil også ugyldiggjøre garantien for Makita-verktøyet og -laderen.

Tips for å opprettholde maksimal batterilevetid

1. **Lad batteriinnsetsen før den er helt utladet.** Stopp alltid driften av verktøyet og lad batteriinnsetsen når du merker at effekten reduseres.
2. **Lad aldri en batteriinnsets som er fulladet.** Overopplading forkorter batteriets levetid.
3. **Lad batteriet i romtemperatur ved 10 °C - 40 °C.** Et varmt batteri må kjøles ned før lading.
4. **Når batteriet ikke er bruk, skal det tas ut av verktøyet eller laderen.**
5. **Lad batteriet hvis det ikke har vært brukt på en lang stund (over seks måneder).**

FUNKSJONSBSKRIVELSE

⚠ FORSIKTIG: Forviss deg alltid om at maskinen er slått av og batteriet tatt ut før du justerer maskinen eller kontrollerer dens mekaniske funksjoner.

Sette inn eller ta ut batteri

⚠ FORSIKTIG: Slå alltid av verktøyet før du setter inn eller fjerner batteriet.

⚠ FORSIKTIG: Hold verktøyet og batteripatronen i et fast grep når du monterer eller fjerner batteripatronen. Hvis du ikke holder verktøyet og batteripatronen godt fast, kan du miste grepet, og dette kan føre til skader på verktøyet og batteripatronen samt personskader.

► Fig.1: 1. Rød indikator 2. Knapp 3. Batteriinnsetts

For å ta ut batteriet må du skyve på knappen foran på batteriet og trekke det ut.

Når du skal sette inn batteriet, må du plassere tungen på batteriet på linje med sporet i huset og skyve batteriet på plass. Skyv det helt inn til det går i inngrep med et lite klikk. Hvis du kan se den røde indikatoren på oversiden av knappen, er det ikke fullstendig låst.

⚠ FORSIKTIG: Batteriet må alltid settes helt inn, så langt at den røde indikatoren ikke lenger er synlig. Hvis dette ikke gjøres, kan batteriet falle ut av verktøyet og skade deg eller andre som oppholder seg i nærheten.

⚠ FORSIKTIG: Ikke bruk makt når du setter i batteriet. Hvis batteriet ikke glir lett inn, er det fordi det ikke settes inn på riktig måte.

Indikere gjenværende batterikapasitet

Kun for batterier med indikatoren

► Fig.2: 1. Indikatorlamper 2. Kontrollknapp

Trykk på sjekk-knappen på batteriet for vise gjenværende batterikapasitet. Indikatorlampene lyser i et par sekunder.

Indikatorlamper			Gjenværende batterinivå
Tent	Av	Bliker	
			75 % til 100 %
			50 % til 75 %
			25 % til 50 %
			0 % til 25 %
			Lad batteriet.
			Batteriet kan ha en feil.

MERK: Det angitte nivået kan avvike noe fra den faktiske kapasiteten alt etter bruksforholdene og den omgivende temperaturen.

MERK: Den første (helt til venstre) indikatorlampen vil blinke når batterivernsystemet fungerer.

Batterivernsystem for verktøy/batteri

Verktøyet er utstyrt med et batterivernsystem for verktøy/batteri. Dette systemet kutter automatisk strømmen til motoren for å forlenge verktøyet og batteriets levetid. Verktøyet stopper automatisk under drift hvis verktøyet eller batteriet utsettes for en av følgende tilstander:

Overlastsikring

Når batteriet brukes på en måte som gjør at det bruker unormalt mye strøm, vil verktøyet stoppe automatisk og feilnummeret vil vises på skjermen. Hvis dette skjer, må du slå av verktøyet og avslutte bruken som forårsaket at verktøyet ble overbelastet. Slå deretter verktøyet på for å starte det igjen.

Overopphetingsvern

Når verktøyet eller batteriet er overopphetet, stanser maskinen automatisk og feilnummeret vil vises på skjermen. I dette tilfellet lar du verktøyet og batteriet avkjøles før du starter verktøyet på nytt.

Overutladningsvern

Når batterikapasiteten blir utilstrekkelig, stopper verktøyet automatisk og feilnummeret vil vises på skjermen. Da tar du ut batteriet fra verktøyet, og lader det.

Strømbryter

⚠ FORSIKTIG: Når du skrur på strømmen må du aldri føre noen kroppsdelers eller ansiktet ditt nær de bindende eller roterende delene på verktoespissen. Hvis du gjør dette, kan du bli skadet.

⚠ FORSIKTIG: Når strømmen er på må du aldri ta på de bindende eller roterende delene på verktoespissen. Hvis du gjør dette, kan du bli skadet.

⚠ FORSIKTIG: Før du setter inn batterikassetten, må du ta vekk fingeren fra startbryteren og se til at startbryteren er låst. Hvis du setter inn batteriet mens startbryteren trekkes, kan det forårsake en ulykke hvis vajerknittingsprosessen utføres utilsiktet.

► Fig.3

Når du trykker på av-/påknappen, skrur strømmen på, og bindelampen tennes. For at verktøyet skal kunne justere startposisjonen, virker den midlertidig. Når justeringen er fullført, stopper verktøyet automatisk. Når du trykker på av-/påknappen igjen, skrur strømmen av, og bindelampen slukkes.

► Fig.4: 1. Lampe for bindemodus 2. Strømknapp

MERK: Verktøyet har en automatisk strømbryterfunksjon. Hvis startbryteren ikke trekkes i løpet av 10 minutter, slås verktøyet av automatisk for å redusere batteribruken.

MERK: For å starte verktøyet på nytt, slår du på strømmen.


Knapp for modusskifte

Når strømmen skrur på og moduskappen for binding tennes, kan du velge enkel binding eller sammenhengende drift via knappen for modusskifte. Når du skrur på strømmen igjen starter verktøyet i den modusen som sist ble valgt.

► **Fig.5:** 1. Knapp for modusskifte 2. Enkel avfyringsmodus 3. Kontinuerlig avfyringsmodus

Bryterfunksjon

⚠ ADVARSEL: Før du setter batteriet inn i maskinen, må du alltid kontrollere at startbryteren aktiverer maskinen på riktig måte og går tilbake til «AV»-stilling når den slippes.

⚠ FORSIKTIG: Når du er ferdig med å bruke verktøyet, trykker du inn låseknappen fra side  for å låse startbryteren i stillingen AV.

► **Fig.6:** 1. Startbryter 2. Låseknapp

Verktøyet er utstyrt med en låseknapp, som hindrer at startbryteren trykkes inn ved en feiltakelse. Når du skal bruke verktøyet, trykker du inn låseknappen fra side A, og deretter trykker du på startbryteren. Slipp startbryteren for å stanse verktøyet. Trykk inn låseknappen fra side B når du er ferdig med å bruke verktøyet.

Når du trekker i startbryteren utfører verktøyet den etterfølgende jobbsekvensen, og verktøyet stanser automatisk.

1. Før inn vaieren.
2. Kutt vaieren.
3. Kroken holder og vrir vaieren.
4. Kroken går tilbake til utgangsposisjon.

Innstilling av bindestyrken

⚠ FORSIKTIG: Sørg for å lukke utløseren før du starter justeringen. Når du skrur på strømmen må du aldri føre noen kroppsdeler eller ansiktet ditt nær de bindende eller roterende delene på verktoypissens. Hvis du gjør dette, kan du bli skadet.

► **Fig.7**

Du kan stille bindestyrken ved å bruke justeringsknappen for bindestyrke. Bindestyrken vises på skjermen.

► **Fig.8:** 1. Justeringsknapp for bindestyrke 2. Skjermpanel

Hvis vaieren ryker, blir bindestyrken borte. Etter binding, kontroller den vridde delen for brudd.

Hvis en vaiere brytes, må du stille bindestyrken ved å bruke justeringsknappen og binde armeringsjernet igjen.

Varsel om gjenværende batterikapasitet

Når batterispenningen synker under påkrevd nivå stopper verktøyet å virke, det vil høres et signal, og tallet "4" vil vises på skjermen. Feilsignalet vil høres til strømmen skrur av.

MERK: Hvis omgivelsestemperaturen er svært lav, kan feilsignalet høres selv om batteriet har tilstrekkelig strøm.

MONTERING

⚠ FORSIKTIG: Forviss deg alltid om at maskinen er slått av og batteriet tatt ut før du utfører noe arbeid på maskinen.

Sette inn bindevaieren (vaierspølen)

⚠ FORSIKTIG: Før du monterer eller demonterer bindevaiere og tilbehøret, må du skrue av strømmen, låse utløseren og ta ut batteriet. Hvis du ikke gjør det, kan det føre til en ulykke.

OBS: Hvis det brukes annet enn Makitas originalvaiere til binding, kan forårsake en funksjonsfeil på verktøyet.

1. Trykk på utløserpakken, og lås den med sperrespaken.

► **Fig.9:** 1. Utløserpakke 2. Sperrespak

Når du trykker på utløserpakken dannes en åpning mellom venstre og høyre tilførselshjul.

► **Fig.10:** 1. Utløserpakke 2. Sperrespak 3. Innføringshjul

2. Åpne spoledekslet.

► **Fig.11:** 1. Spoledekslet

3. Sett på vaierspølen på verktøyet den veien som er som vist i figuren.

► **Fig.12:** 1. Vaierspøle

OBS: Pass på å montere på vaierspølen på verktøyet den veien som er som vist i figuren. Hvis den monteres den andre veien, vil vaieren løsne, og kan bli vridd.

4. Hekt vaieren av spolekroken.

► **Fig.13:** 1. Krok

5. Gjør enden av vaieren rett, og trå vaieren gjennom føringen.

► **Fig.14:** 1. Føring

MERK: Hvis enden av vaieren er bøyd når den tråes gjennom føreren, kan vaieren sette seg fast i verktøyet.

MERK: Hvis du bruker kraft når du forsøker å trå den gjennom føreren, kan vaieren sette seg fast.

6. Trekk vaieren ut ca. 10 mm fra spissen av armen.

► **Fig.15:** 1. Arm 2. Ca. 10 mm

OBS: Hvis lengden av vaieren som er trukket ut ikke er tilstrekkelig, kan vaieren bryte når den blir bunden, eller styrken av bindingen kan bli utilstrekkelig på grunn av for få vridninger.

7. Spol opp vaieren for å unngå slakk.

► **Fig.16**

8. Frigjør sperrehendelen. Spaken tilbakeføres, og vaieren holdes av venstre og høyre hjul.

► **Fig.17:** 1. Utløserpakke 2. Sperrespak

► **Fig.18:** 1. Hjul 2. Banen til vaieren 3. Vaiere

OBS: Når låsespaken er frigjort og når venstre og høyre tannhjul går i inngrep med hverandre, danser sporene i hjulene en åpning. Denne åpningen blir en bane for vaieren. Pass på at vaieren passer gjennom denne banen.

9. Lukk spoledekslet.
► Fig.19: 1. Spoledekslet

BRUK

Kontroller før arbeidet starter

⚠FORSIKTIG: Hvis verktøyet har et problem med en av sikkerhetsmekanismene, må det ikke brukes. Hvis du fortsetter å bruke det, kan det skje en ulykke.

Før du bruker verktøyet må du se til at sikkerhetsmekanismen virker som den skal. Hvis verktøyet går uten at sikkerhetsinnretningene virker, stopp å bruke verktøyet straks. Be nærmeste Makita-servicesenter om å reparere det.

Kontroll av utløserlåsen

Verktøyet har en utløserlås som forhindrer verktøyet å starte når du ikke har til hensikt å bruke det. Lås startbryteren, og bekreft at den kan ikke trekkes.

Kontroll av bendeføringen

For å forhindre at brukeren utilsikket berører binde- eller roterende deler på verktøyet, vil verktøyet ikke virke selv hvis startbryteren trekkes mens bendeføringen er åpen. Når brukeren tar fingeren vekk fra startbryteren og lukker bendeføringen, kan verktøyet startes.

- Fig.20: 1. Bøyføring

Kontroll av bendeførerens åpne-/lukkepåvisning

Ta av bindevaieren, verktøyet etter følgende trinn, og pass på at verktøyet ikke starter hvis bendeføringen er åpen.

1. Slå av strømmen og la bendeføringen være åpen.
2. Slå på strømmen.

Hvis verktøyet ikke virker, og hvis verdien "2" vises på skjermen, er standen til verktøyet normal. Skru av strømmen og lukk bendeføringen.

Hvis verktøyet virker, og hvis det ikke vises noen feil vises på skjermen, er standen til verktøyet unormal. Avslutt bruken av verktøyet umiddelbart og ta kontakt med nærmeste Makita serviceverksted for reparasjon.

⚠FORSIKTIG: Hvis du åpner bøyføringen og slår på strømmen for å kontrollere låsingen, må du holde bøyføringen som vist i figuren. Du må aldri føre noen kroppsdeler eller ansiktet ditt nær de bindende eller roterende delene på verk-tøypissisen. Hvis du gjør dette, kan du bli skadet.

- Fig.21

Bindearbeid

⚠FORSIKTIG: Før du setter inn batterikassetten, må du ta vekk fingeren fra startbryteren og se til at utløseren er låst. Hvis du setter inn batteriet mens startbryteren trekkes, kan det forårsake en ulykke hvis vaierknyttingsprosessen utføres utilsikket.

⚠FORSIKTIG: Når du skrur på strømmen må du aldri føre noen kroppsdeler eller ansiktet ditt nær de bindende eller roterende delene på verk-tøypissisen. Hvis du gjør dette, kan du bli skadet.

⚠FORSIKTIG: Når strømmen er på må du aldri ta på de bindende eller roterende delene på verk-tøypissisen. Hvis du gjør dette, kan du bli skadet.

- Fig.22

Forberedelse før arbeidet

1. Påse at batterikassetten er tatt ut og at utløseren er låst.
2. Sett inn batteriet i verktøyet og skru på strømmen. Når du slår på strømmen, kappes vaieren automatisk.

OBS: Se etter at lampen for bindemodus tennes når strømmen er på. Hvis den ikke tennes, må batteriet lades opp.

3. Slipp startbryterlåsen.
► Fig.23: 1. Låseknapp 2. Startbryter 3. Strømknapp 4. Lampe for bindemodus

Enkel avfyringsmodus

1. Trykk armen sikkert mot bindepunktet. Press verktøyet vertikalt mot armeringsjernet, og press armen mot det punktet der armeringsjernet krysses med 45 graders vinkel.
► Fig.24
2. Trekk i startbryteren én gang.
3. Vaieren er ført inn og kuttet automatisk.
4. Kroken holder og vrir vaieren, så går den tilbake til opprinnelig posisjon etter at vaierne har blitt bundet.
► Fig.25
5. Etter at du har bundet må du være forsiktig slik at ikke armen hefter seg opp i armeringsjernet og trekk verktøyet opp.

⚠FORSIKTIG: Hvis vaieren har festet seg til bindedelen på verk-tøypissisen, skru av strømmen til verktøyet. Lås utløseren og ta ut batteriet og ta av vaieren med verktøy som klemmer eller tenger.

- Fig.26

Kontinuerlig avfyringsmodus

1. Skift verktøymodus fra enkel avfiring til kontinuerlig avfiring med knappen for modusskifte.
► Fig.27: 1. Knapp for modusskifte
2. Slipp startbryterlåsen.
3. Mens du trekker i startbryteren, trekk verktøyet vertikalt mot armeringsjernet, og press armen mot punktet der armeringsjernet krysses med 45 graders vinkel. Trykk kontaktpåsen bestemt mot bindepunktet. Vaieren vil bli bundet.
► Fig.28: 1. Kontaktpåse

4. Etter at du har bundet må du være forsiktig slik at ikke armen hekter seg opp i armeringsjernet og trekk verktøyet opp.

► Fig.29

Forsiktighetsregler ved arbeidet

- Hvis du beveger armen fra bindeposisjon i løpet av bindeprosessen, vil vaieren sette seg fast på kroken, noe som kan føre til feil binding.
- Fortsett å presse verktøyet mot armeringsjernene til vaierbindingen er fullført.
- Ikke flytt deg til neste bindingspunkt før den nåværende bindingsprosessen er fullført.
- Verktøypissens roterende del (krok) vrir vaieren i løpet av bindeprosessen. Hold et godt grep slik at kroppen din ikke blir brukket av verktøyet.
- Ikke berør vaierne i løpet av bindeprosessen.
- Hvis du gjentar vaierbindeprosessen i enkelvirkende modus, ta fingeren helt vekk fra startbryteren. Så fortsetter du å trekke i startbryteren.
- Hvis du trekker startbryteren når det ikke er noen vaier igjen, vises en feilmelding. Sett inn en ny vaier og start verktøyet på nytt.

Tips for binding

- Vipp verktøyet i en 45° vinkel i forhold til de kryssede armeringsjernene og bind vekselvis som vist i figuren.

► Fig.30

- Unngå riflede deler av armeringsjernene.

► Fig.31

- Hvis bindestyrken er utilstrekkelig, endre bindeorienteringen og utfør bindingen to ganger slik at bindestyrken øker.

► Fig.32

OBS: Når du binder for andre gang, bøyer du enden av den første bindingen før du utfører den andre bindingen. Ellers kan vaieren bli utstøtt for andre gang. Den kan ha festet seg til verktøypissens, og kroken kan ha blitt skadet.

Skifte bindevaiere

⚠FORSIKTIG: Når du skifter vaieren må du skru av strømmen, låse utløseren og ta ut batteriet. Hvis du ikke gjør det, kan det føre til en ulykke.

1. Når vaieren er brukt opp vil det høres et feilsignal og feilnr. "1" vil vises på skjermen.
2. Lås utløseren, skru av strømmen og ta ut batteriet.
3. Trykk på utløserpakken, og lås den med sperrespaken.
► Fig.33: 1. Utløserpak 2. Sperrespak
4. Avtaging av vaierspoken fra verktøyet.

MERK: Når vaieren er brukt opp på vanlig måte, gjenstår ca. 20 cm vaier på spolen. I dette tilfellet, skift ut vaierspoken med en ny.

Hvis det er vanskelig å ta ut vaierspoken fra verktøyet, følg trinnene nedenfor.

1. Sett inn batteriet i verktøyet og skru på strømmen. Verktøyet fører frem vaieren og kutter den automatisk.
2. Lås utløseren, skru av strømmen og ta ut batteriet.
3. Ta av vaierbruddene med verktøy som klemmer eller tenger.

VEDLIKEHOLD

⚠FORSIKTIG: Forviss deg alltid om at maskinen er slått av og batteriet tatt ut før du foretar inspeksjon eller vedlikehold.

OBS: Aldri bruk gasolin, bensin, tynner alkohol eller lignende. Det kan føre til misfarging, deformering eller sprekkdannelse.

For å opprettholde produktets SIKKERHET og PÅLITELIGHET, må reparasjoner, vedlikehold og justeringer utføres av autoriserte Makita servicesentre eller fabrikksservicesentre, og det må alltid brukes reservedeler fra Makita.

Rengjøring av kutterdelen

Når verktøyet er i bruk, kan støv og vaierpartikler feste seg til kutterdelen. I så fall rengjør du kutterdelen i henhold til fremgangsmåten som følger. Rengjøringen skal utføres hver gang du bruker opp en spoleeske. (50 stk.)

Bruke stålborsten

1. Åpne spoledekslet.
► Fig.34: 1. Spoledeksel
2. Trykk på utløserpakken, og lås den med sperrespaken.
► Fig.35: 1. Utløserpak 2. Sperrespak
3. Send stålborsten gjennom føringen. Når du fører inn stålborsten, tar du det forsiktig og skyver den inn i føringen litt etter litt.
► Fig.36: 1. Stålborste
► Fig.37: 1. Hjul 2. Føring 3. Stålborste

4. Skyv stålborsten inn til den kommer ca. 10 mm ut fra spissen av armen. Deretter trekker du stålborsten ut. Det holder å utføre denne handlingen én gang.

► Fig.38: 1. Arm 2. Stålborste

5. Lukk spoledekslet.
► Fig.39: 1. Spoledeksel

Bruke luftstøvfjernerpistolen

Åpne spoledekslet, skyv utløserpakken, og lås den med sperrespaken. Deretter plasserer du luftstøvfjernerpistolen tett inntil føringen og blåser med luft. Kontroller at det kommer luft ut av spissen av armen.

► Fig.40: 1. Luftstøvfjernerpistol 2. Føring

Rengjøre med demontering

Hvis kutterdelen er tilstoppet eller en vaier har satt seg fast, demonteres og rengjøres delene.

Demontering og rengjøring

1. Løsne bolt A og B med sekskantnøkkelen som følger med i verktøypakken.
► **Fig.41:** 1. Sekskantnøkkel
- **Fig.42:** 1. Bolt A 2. Bolt B 3. Platedeksel for kontakt 4. Vaierføring B

OBS: Ikke skru ut noen bolter som ikke kan tas ut ved bruk av sekskantnøkkelen.

2. Trekk dekselet på kontaktplaten opp i pilretningen og ta det av. Bolt B vil tas av samtidig.
► **Fig.43:** 1. Platedeksel for kontakt 2. Bolt B
3. Skru ut bolt A og ta av vaierføring B.
► **Fig.44:** 1. Bolt A 2. Vaierføring B
4. Snu vaierfører B over og rengjør den inni.
► **Fig.45**
5. Ta av kutter A, kutter B, topplaten og lenk armen A fra armplate A. Så rengjør du dem.
► **Fig.46:** 1. Kutter B 2. Lenkearm A 3. Kutter A 4. Armplate A 5. Topplate

Sammenstilling

Når rengjøringen er fullført, settes delene sammen igjen i henhold til denne fremgangsmåten.

1. Monter kutter A og tog lenk arm A slik at den passer til formen av armplate A.
► **Fig.47:** 1. Kutter A 2. Lenkearm A 3. Armplate A
2. Monter kutter B og topplaten på armplate A. (monter kutter B på kutter A og lenk arm A.)
► **Fig.48:** 1. Kutter B 2. Topplate 3. Armplate A 4. Kutter A 5. Lenkearm A

OBS: Vend projiseringen av kutter B nedover, og monter kutteren som vist i figuren.

3. Rett inn røret på verktøyet med sporet inne i vaierfører B, og sett dem sammen.
► **Fig.49:** 1. Rør 2. Spor 3. Vaierføring B
4. Fest vaierføring B ved å stramme bolt A midlertidig.
► **Fig.50:** 1. Bolt A 2. Vaierføring B
5. Monter dekselet til kontaktplaten i pilretningen.
► **Fig.51:** 1. Platedeksel for kontakt
6. Fest vaierføring B og platedekselet sikkert ved å stramme bolt A og bolt B.
► **Fig.52:** 1. Vaierføring B 2. Platedeksel for kontakt 3. Bolt A 4. Bolt B
7. Etter sammenstilling, bekreft av kontaktplaten kan bevege seg som vist i figuren.
► **Fig.53:** 1. Kontaktplate

MERK: Hvis en kontaktplate blir fanget, press den som vist i figuren.

- **Fig.54**

Feilskjerm og feilsignal

⚠FORSIKTIG: Ved inspeksjon må du låse utløseren, skru av strømmen og ta ut batteriet. Hvis du ikke gjør det, kan det føre til en ulykke.

⚠FORSIKTIG: Når du skruv på strømmen må du aldri føre noen kroppsdeler eller ansiktet ditt nær de bindende eller roterende delene på verktøypispen. Hvis du gjør dette, kan du bli skadet.

⚠FORSIKTIG: Når strømmen er på må du aldri ta på de bindende eller roterende delene på verktøypispen. Hvis du gjør dette, kan du bli skadet.

⚠FORSIKTIG: Hvis det høres et lydsignal, eller hvis verktøyet ikke virker som det skal, må du stoppe bruken øyeblikkelig.

Feilsignal og skjerm

Hvis det oppstår en feil vil det høres et lydsignal, og det vil vises et feilnummer på skjermen. Se følgende tabell og utfør det som er dekkende. Hvis feilen vedvarer, be Makitas godkjente servicesentre om reparasjon.

Skjerm	Symptom	Mulig årsak	Løsning
1	Verktøyet stopper å virke.	Vaieren er brukt opp.	Påsetting av ny bindevaier.
		Bindevaier er ikke satt inn.	Påsetting av bindevaier.
		Vaiertilførselen har sviktet.	Kontroller orienteringen av bindevaieren. Ta ut bindevaieren og sett den inn igjen. Rengjør banen til vaieren.
2	Verktøyet stopper å virke.	Bendeføringen er åpen.	Lukking av bendeføringen.
3	Verktøyet utfører ikke bindeprosessen i kontinuerlig modus.	Kontaktplaten sitter fast.	Frigi kontaktplaten hvis den sitter fast.
4	Verktøyet starter ikke. Verktøyet stopper å virke.	Batteriet er utladet. Temperaturen til batterikassetten er unormalt høy.	Lade opp batteriet. La batteriet avkjøles. Skift ut batteriet med et oppladet ett.
5	Verktøyet stopper å virke.	Motoren er overbelastet.	Finn årsaken til blokkeringen av motorrotasjonen og løs problemet.
		Motorfeil	
6	Verktøyet stopper å virke.	Temperaturen på verktøyet er unormalt høy.	La verktøyet avkjøles.
7	Verktøyet starter ikke. Verktøyet stopper å virke.	Verktøyet sviakter	Be Makitas godkjente servicesentre for reparasjoner.

VALGFRITT TILBEHØR

⚠FORSIKTIG: Det anbefales at du bruker dette tilbehøret eller verktøyet sammen med den Makita-maskinen som er spesifisert i denne håndboken. Bruk av annet tilbehør eller verktøy kan forårsake personskader. Tilbehør og verktøy må kun brukes til det formålet det er beregnet på.

Ta kontakt med ditt lokale Makita-servicesenter hvis du trenger mer informasjon om dette tilbehøret.

- Bindevaier
- Stålbørste
- Forlengelseshåndtak
- Makita originalbatteri og lader

MERK: Enkelte elementer i listen kan være inkludert som standardtilbehør i verktøypakken. Elementene kan variere fra land til land.

TEKNISET TIEDOT

Malli:		DTR180
Sidontalanka (lisävaruste)		ø0,8 mm
Sidottavien raudoitustankojen halkaisija		nro 3 x nro 3 – (nro 4 x 2) x (nro 4 x 2) 10 mm x 10 mm – (13 mm x 2) x (13 mm x 2)
Sidontojen määrä per kela (noin)	Karkaistu rautasidontalanka	Noin 120 sidontaa
	Galvanoitu sidontalanka	Noin 120 sidontaa
	Polymeeripäällysteinen sidontalanka	Noin 105 sidontaa
Kokonaispituus		304 mm
Nimellisjännite		DC 14,4/18 V
Nettopaino		2,3 - 2,6 kg

- Jatkuvasta tutkimus- ja kehitystyöstämme johtuen esitetyt tekniset tiedot saattavat muuttua ilman erillistä ilmoitusta.
- Tekniset tiedot ja akkupaketti voivat vaihdella maittain.
- Paino voi olla erilainen lisävarusteista sekä akusta johtuen. EPTA-menettelytavan 01/2014 mukaisesti, taulukossa on kuvattu kevyin ja painavin laiteyhdistelmä.

Käytettävä akkupaketti ja laturi

Akkupaketti	DC 14,4 V malli	BL1415N / BL1430B / BL1440 / BL1460B
	DC 18 V malli	BL1815N / BL1820B / BL1830B / BL1840B / BL1850B / BL1860B
Laturi	DC18RC / DC18RD / DC18RE / DC18SD / DC18SE / DC18SF / DC18SH	

- Tiettyjä yläpuolella kuvattuja akkuja ja latureita ei ehkä ole saatavana asuinalueestasi johtuen.

VAROITUS: Käytä vain edellä eriteltyjä akkupaketteja ja latureita. Muiden akkupakettien ja laturien käyttäminen voi aiheuttaa loukkaantumisen ja/tai tulipalon.

Sidottavien raudoitustankojen mahdolliset yhdistelmät

2 raudoitustangon yhdistelmät

	Nro 3 (10 mm)	Nro 4 (13 mm)	Nro 5 (16 mm)
Nro 3 (10 mm)	✓	✓	✓
Nro 4 (13 mm)	✓	✓	✓
Nro 5 (16 mm)	✓	✓	✓

3 raudoitustangon yhdistelmät

	Nro 3 x nro 3 (10 mm x 10 mm)	Nro 4 x nro 4 (13 mm x 13 mm)
Nro 3 (10 mm)	✓	✓
Nro 4 (13 mm)	✓	✓
Nro 5 (16 mm)	✓	-

4 raudoitustangon yhdistelmät

	Nro 3 x nro 3 (10 mm x 10 mm)	Nro 4 x nro 4 (13 mm x 13 mm)
Nro 3 x nro 3 (10 mm x 10 mm)	✓	✓
Nro 4 x nro 4 (13 mm x 13 mm)	✓	✓

HUOMAUTUS: Raudoitustankojen sitominen ei ehkä onnistu, jos raudoitustankojen välissä on rako tai kone suunnataan virheellisesti.

Symbolit

Laitteessa on mahdollisesti käytetty seuraavia symboleja. Opettele niiden merkitys ennen käyttöä.



Lue käyttöohje.



Käytä suojalaseja.



Älä altista laitetta sateelle.



Älä pidä käsiä lankakelan ja langan lähellä konetta käytettäessä.



Pidä kädet poissa koneen kärjestä.



Koskee vain EU-maita
Älä hävitä sähkölaitteita tai akkuja tavallisen kotitalousjätteen mukana!
Sähkö- ja elektroniikkalaiteromua koskevan EU-direktiivin ja paristoja ja akkuja sekä käytettyjä paristoja ja akkuja koskevan direktiivin ja niiden maakohtaisten sovellusten mukaisesti käytetyt sähkölaitteet ja akut on toimitettava ongelmajätteen keräyspisteeseen ja ohjattava ympäristöystävälliseen kierrätykseen.

Käyttötarkoitus

Kone on tarkoitettu raudoitustankojen sitomiseen.

Melutaso

Tyypillinen A-painotettu melutaso määräytyy standardin EN60745-2-18 (EN12549) mukaan:

Äänenpainetaso (L_{pA}): 78 dB (A)

Virhemarginaali (K): 3 dB (A)

Työskentelyn aikana melutaso voi ylittää 80 dB (A).

HUOMAA: Ilmoitetut melutasoarvot on mitattu standarditestausmenetelmän mukaisesti ja niiden avulla voidaan vertailla työkaluja keskenään.

HUOMAA: Ilmoitettuja melutasoarvoja voidaan käyttää myös altistumisen alustavaan arviointiin.

VAROITUS: Käytä kuulosuojaimia.

VAROITUS: Sähkötyökalun käytön aikana mitattu melutasoarvo voi poiketa ilmoitetuista arvoista laitteen käytettävän ja erityisesti käsiteltävän työkalun mukaan.

VAROITUS: Selvitä käyttäjän suojaamiseksi tarvittavat varoimet todellisissa käyttöolosuhteissa tapahtuvan arvioidun altistumisen mukaisesti (ottaen huomioon käyttöjaksot kokonaisuudessaan, myös jaksot, joiden aikana laite on sammutettuna tai käy tyhjäkännillä).

Tärinä

Kokonaistärinä (kolmen akselin vektorien summa) määräytyy standardin EN60745-2-18 (ISO8662-11) mukaan:
Työtila: Metallitangon sitominen
Tärinäpäästö (a_{h1}): 2,5 m/s² tai alhaisempi
Virhemarginaali (K): 1,5 m/s²

HUOMAA: Ilmoitetut kokonaistärinäarvot on mitattu standarditestausmenetelmän mukaisesti ja niiden avulla voidaan vertailla työkaluja keskenään.

HUOMAA: Ilmoitettuja kokonaistärinäarvoja voidaan käyttää myös altistumisen alustavaan arviointiin.

VAROITUS: Sähkötyökalun käytön aikana mitattu todellinen tärinäpäästöarvo voi poiketa ilmoitetuista arvoista laitteen käytettävän ja erityisesti käsiteltävän työkalun mukaan.

VAROITUS: Selvitä käyttäjän suojaamiseksi tarvittavat varoimet todellisissa käyttöolosuhteissa tapahtuvan arvioidun altistumisen mukaisesti (ottaen huomioon käyttöjaksot kokonaisuudessaan, myös jaksot, joiden aikana laite on sammutettuna tai käy tyhjäkännillä).

EY-vaatimustenmukaisuusvakuutus

Koskee vain Euroopan maita

EY-vaatimustenmukaisuusvakuutus on liitetty tähän käyttöoppaaseen.

TURVAROITUKSET

Sähkötyökalujen käyttöä koskevat yleiset varoitukset

VAROITUS: Tutustu kaikkiin tämän sähkötyökalun mukana toimitettuihin varoituksiin, ohjeisiin, kuviin ja teknisiin tietoihin. Seuraavassa lueteltujen ohjeiden noudattamatta jättäminen saattaa johtaa sähköiskuun, tulipalloon tai vakavaan vammautumiseen.

Säilytä varoitukset ja ohjeet tulevaa käyttöä varten.

Varoituksissa käytettävällä termillä "sähkötyökalu" tarkoitetaan joko verkkovirtaa käyttävää (johdollista) työkalua tai akkukäyttöistä (johdotonta) työkalua.

Akkukäyttöistä raudoituksen sidontakonetta koskevat turvavaroitukset

1. Älä koskaan osoita konetta ihmisiä kohti. Älä koskaan pidä käsiä tai jalkoja koneen kärjen lähellä. Koneen aktivoiminen vahingossa, jos se koskettaa ihmistä, johtaa odottamattomaan onnettomuuteen.
2. Älä aseta lankaa koneeseen sen ollessa päällä. Muutoin saatat sotkeutua lankaan ja loukkaantua.

3. Älä käytä konetta, kun kelan suojusta ei ole suljettu. Muutoin lankakela saattaa irrota ja aiheuttaa onnettomuuden.
 4. Varmista ennen työn aloittamista, että sidottavien raudoitustankojen halkaisijat ovat koneen kapasiteetin rajoissa.
 5. Käytä vaatteita, joissa on istuvat helmat ja hihat. Älä työskentele pyyhe tai muu vaate kaulan ympärille kiedottuna. Se saattaa jäädä kiinni liikkuvaan osaan ja aiheuttaa onnettomuuden.
 6. Tarkista seuraavat seikat ennen koneen käyttämistä.
 - Tarkista, ettei mikään osa ole vahingoittunut.
 - Tarkista, ettei mikään pultti ole irrallaan.
 - Tarkista, että turvalaitteet toimivat normaalisti.
 7. Jos havaitset poikkeavuuksia, lopeta koneen käyttö välittömästi. Älä yritä itse korjata konetta. Pyydä valtuutettua Makita-huoltoliikettä korjaamaan kone. Koneen käyttäminen vajanaisena saattaa johtaa onnettomuuteen.
 8. Kun asennat akkupaketin paikalleen, lukitse liipaisin ja pidä sormet pois liipaisimelta. Virheellinen käyttö voi johtaa onnettomuuteen.
 9. Kun sidot raudoitustankoja, varo, ettet liikuta niitä. Sitomisesta johtuva raudoitustankojen liike voi vahingoittaa koneen käyttäjää.
 10. Älä kosketa lankoja langan sidontaprosessin aikana. Muutoin saatat sotkeutua lankaan ja loukkaantua.
 11. Älä pidä käsiä sidontakohdan lähellä langan sidontaprosessin aikana. Muutoin saatat sotkeutua lankaan ja loukkaantua.
 12. Pidä koneen kahvasta tiukasti kiinni langan sidontaprosessin aikana. Muutoin ranteesi voi päästä kääntymään tai kone voi vetää vartaloasi, mikä voi johtaa loukkaantumiseen.
 13. Älä siirry seuraavaan sidontakohtaan ennen kuin käynnissä oleva langan sidontaprosessi on valmistunut. Muutoin saatat loukkaantua.
 14. Tarkkaile langan päätä langan sidontaprosessin aikana. Muutoin kätesi saattavat jäädä kiinni langan päähän, mikä voi johtaa loukkaantumiseen.
 15. Älä kosketa kontaktilevyä langan sidontaprosessin aikana. Jos kontaktilevyyn on kosketettava, lukitse liipaisin tai sammuta virtakytkin ja irrota akkupaketti. Muutoin saatat loukkaantua.
 16. Kun langan sidontaprosessi on valmis, vedä kone irti tangoista kohtisuorasti. Muutoin koukkuvarsi saattaa jäädä kiinni raudoitustankoihin, mikä voi johtaa onnettomuuteen.
 17. Varo, ettet pudota tai kolhi konetta tai iske sitä mihinkään. Jos koneeseen kohdistuu voimakas isku ennen sen käyttämistä, varmista, ettei koneessa ole vaurioita tai murtumia ja että sen turvalaitteet toimivat normaalisti. Muuten seurauksena voi olla onnettomuus.
 18. Lukitse liipaisin, sammuta virtakytkin ja irrota akkupaketti koneesta seuraavissa tilanteissa. Koneen virheellinen toiminta saattaa johtaa onnettomuuteen.
 - Toimintäännet alkaen kuuluu heti, kun akkupaketti asetetaan paikalleen.
 - Kone ylikuumentee, se haisee epänormaalisti tai siitä kuuluu epänormaaleja ääniä.
 - Teet korjaustoimia virhenäytön perusteella. (Pyydä valtuutettua Makita-huoltoliikettä korjaamaan kone.)
 - Aseta lankakelaa paikalleen tai poista sitä.
 - Liikuta kone kädessäsi työn aikana.
 - Kone on käyttämättä.
 - Tarkista tai säädä konetta.
 - Irrotta irtonaista lankaa.
19. Kun työskentelet telineillä, varmista aina niiden vakaus ja työskentele asennossa, jossa pysyt hyvin tasapainossa. Huterat telineet saattavat johtaa onnettomuuteen.
 20. Kun työskentelet katolla tai vastaavassa paikassa, liiku vain katseesi suuntaan, jotta näet aina, mihin olet menossa. Takaperin liikkuminen saattaa johtaa liukastumiseen ja onnettomuuteen.
 21. Jos työskentelet erittäin korkealla, varmista, ettei alapuolellasi ole ihmisiä ja kiinnitä erityistä huomiota siihen, ettei pudota työkaluja työskentelyn aikana. Työkalun putoaminen voi johtaa onnettomuuteen.
 22. Älä käytä konetta muuhun tarkoitukseen kuin lankojen sitomiseen. Muuten seurauksena voi olla onnettomuus.
 23. Käytä aina vain Makitan aitoja lankoja. Pitkään käyttämättöminä olleet langat saattavat ruostua. Älä käytä ruostuneita lankoja. Muutoin ne voivat aiheuttaa onnettomuuden.
 24. Kun sidonta on tehty, tarkista, ettei lanka ole rikkoutunut liiallisen väännön seurauksena. Rikkoutuneet langat heikentävät sidontalujuutta. Säädä sidontavoimaa ja sido raudoitustangot uudelleen.
 25. Sijoita koukkuvarsi tukevasti raudoitustankojen väen. Huuleton sijoitus voi saada raudoitustankot erkaantumaan, mikä heikentää sidontalujuutta.

Akkupakettia koskevia tärkeitä turvaohjeita

1. Ennen akun käyttöönottoa tutustu kaikkiin laturissa (1), akussa (2) ja akkukäyttöisessä tuotteessa (3) oleviin varoitusteksteihin.
2. Älä pura tai peukaloi imuria akkupakettia. Se voi johtaa tulipaloon, ylikuumentumiseen tai räjähdykseen.
3. Jos akun toiminta-aika lyhenee merkittävästi, lopeta akun käyttö. Seurauksena voi olla ylikuumentuminen, palovammoja tai jopa räjähdys.
4. Jos akkuneustettä pääsee silmiin, huuhtelee puhtaalla vedellä ja hakeudu välittömästi lääkärin hoitoon. Akkuneuste voi aiheuttaa näön menetyksen.
5. Älä oikosulje akku.
 - (1) Älä koske akun napoihin millään sähköä johtavalla materiaalilla.
 - (2) Vältä akun oikosulkemista äläkä säilytä akku yhdessä muiden metalliesineiden, kuten naulojen, kolikoiden ja niin edelleen kanssa.
 - (3) Älä aseta akku alttiiksi vedelle tai sateelle. Oikosulku voi aiheuttaa virtapiikin, ylikuumentumista, palovammoja tai laitteen rikkoutumisen.
6. Älä säilytä ja käytä työkalua ja akkupakettia paikassa, jossa lämpötila voi nousta 50 °C:een (122 °F) tai korkeammaksi.
7. Älä hävitä akku polttamalla, vaikka se olisi pahoin vaurioitunut tai täysin loppuun kulunut. Avotuli voi aiheuttaa akun räjähtämisen.

8. Älä naulaa, leikkaa, purista, heitä tai pudota akkupakettia tai iske sitä kovia esineitä vasten. Tällaiset toimet voivat johtaa tulipaloon, ylikuumentumiseen tai räjähdykseen.
9. Älä käytä viallista akkua.
10. Sisältyviä litium-ioni-akkuja koskevat vaarallisten aineiden lainsäädännön vaatimukset. Esimerkiksi kolmansien osapuolten huolintaliikkeiden tulee kaupallisissa kuljetuksissa noudattaa pakkaamista ja merkintöjä koskevia erityisvaatimuksia. Lähetettävän tuotteen valmistelu edellyttää vaarallisten aineiden asiantuntijan neuvontaa. Huomioi myös mahdollisesti yksityiskohtaisemmat kansalliset määräykset Akun avoimet liittimet tulee suojata teipillä tai suojuksella ja pakkaaminen tulee tehdä niin, ettei akku voi liikkua pakkauksessa.
11. Kun akkupaketti on hävitettävä, poista se laitteesta ja hävitä se turvallisesti. Hävitä akku paikallisten määräysten mukaisesti.
12. Käytä akkua vain Makitan ilmoittamien tuotteiden kanssa. Akkujen asentaminen yhteensopimattomiin tuotteisiin voi aiheuttaa tulipalon, liiallisen ylikuumentumisen, räjähdyksen tai akkuneuvotoja.
13. Jos laitetta ei käytetä pitkään aikaan, akku on poistettava laitteesta.
14. Akkupaketin lämpötila voi käytön aikana ja sen jälkeen nousta niin kuumaksi, että se voi aiheuttaa palovammoja tai lieviä palovammoja. Käsittele kuumia akkupaketteja huolellisesti.
15. Älä kosketa työkalun liittintä välittömästi käytön jälkeen, sillä se voi olla riittävän kuuma aiheuttamaan palovammoja.
16. Älä päästä lastuja, pölyä tai maata akkupaketin liittimiin, aukkoihin ja uriin. Se voi heikentää työkalun tai akkupaketin suorituskykyä tai johtaa niiden rikkoutumiseen.
17. Ellei työkalu tue käyttöä korkeajännitelinjojen lähellä, älä käytä akkupakettia korkeajännitelinjojen lähellä. Se voi johtaa työkalun tai akkupaketin toimintahäiriöön tai rikkoutumiseen.
18. Pidä akku poissa lasten ulottuvilta.

SÄILYTÄ NÄMÄ OHJEET.

⚠️HUOMIO: Käytä vain alkuperäisiä Makita-akkuja. Muiden kuin aitojen Makita-akkujen, tai mahdollisesti muutettujen akkujen käyttö voi johtaa akun murtumiseen ja aiheuttaa tulipaloja, henkilö- ja omaisuusvahinkoja. Se mitätöi myös Makita-työkalun ja -laturin Makita-takuun.

Vihjeitä akun käyttöön pidentämiseksi

1. Lataa akku ennen kuin se purkautuu täysin. Lopeta aina työkalun käyttö ja lataa akku, jos huomaat työkalun tehon vähenevän.
2. Älä koskaan lataa uudestaan täysin ladattua akkua. Yliilataaminen lyhentää akun käyttöikää.
3. Lataa akku huoneen lämpötilassa välillä 10 °C - 40 °C. Anna kuumen akkun jäähtyä ennen lataamista.
4. Irrota akkupaketti työkalusta tai laturista, kun sitä ei käytetä.
5. Lataa akkupaketti, jos et käytä sitä pitkään aikaan (yli kuusi kuukautta).

TOIMINTOJEN KUVAUS

⚠️HUOMIO: Varmista aina ennen säätöjä ja tarkastuksia, että työkalu on sammutettu ja akkupaketti irrotettu.

Akun asentaminen tai irrottaminen

⚠️HUOMIO: Sammuta työkalu aina ennen akun kiinnittämistä tai irrottamista.

⚠️HUOMIO: Pidä työkalusta ja akusta tiukasti kiinni, kun irrotat tai kiinnität akkua. Jos akkupaketti tai työkalu putoaa, ne voivat vaurioitua tai aiheuttaa tapaturman.

► **Kuva1:** 1. Punainen ilmaisin 2. Painike 3. Akkupaketti

Irrota akku painamalla akun etupuolella olevaa painiketta ja vetämällä akku ulos työkalusta.

Akkupaketti asennetaan paikalleen sovitamalla akkupaketin kieleke rungon uraan ja työntämällä se sitten paikoilleen. Työnnä akkupaketti pohjaan asti niin, että kuulet sen napsahdavan paikoilleen. Jos painikkeen yläpuolella näkyy punainen ilmaisin, akkupaketti ei ole lukkiutunut täysin paikoilleen.

⚠️HUOMIO: Työnnä akkupaketti aina pohjaan asti, niin että punainen ilmaisin ei enää näy. Jos akkupaketti ei ole kunnolla paikallaan, se voi pudota työkalusta ja aiheuttaa vammoja joko sinulle tai sivullisille.

























⚠️HUOMIO: Älä käytä voimaa akun asennuksessa. Jos akku ei liu'u paikalleen helposti, se on väärässä asennossa.

Akun jäljellä olevan varustuksen ilmaisin

Vain akkupaketeille ilmaisimella

► **Kuva2:** 1. Merkkivalot 2. Tarkistuspainike

Painamalla tarkistuspainiketta saat näkyviin akun jäljellä olevan varauksen. Merkkivalot palavat muutaman sekunnin ajan.

Merkkivalot			Akussa jäljellä olevan varaus
 Palaava	 Pois päältä	 Viilkuu	
			75% - 100%
			50% - 75%
			25% - 50%
			0% - 25%
			Lataa akku.
			Akussa on saattanut olla toimintahäiriö.
			

HUOMAA: Ilmoitettu varaustaso voi erota hieman todellisesta varaustasosta sen mukaan, millaisissa oloissa ja missä lämpötilassa laitetta käytetään.

HUOMAA: Ensimmäinen (vasemmanpuoleisin) merkkivalo vilkkuu, kun akun suojausjärjestelmä on toiminnassa.

Työkalan/akun suojausjärjestelmä

Työkalu on varustettu työkalu/akun suojausjärjestelmällä. Tämä järjestelmä pidentää työkalun ja akun käyttöikää katkaisemalla automaattisesti moottorin virran. Työkalu pysähtyy automaattisesti kesken käytön, jos työkalussa tai akussa ilmenee jokin seuraavista tilanteista:

Ylikuormitusuoja

Kun akkuä käytetään tavalla, joka saa sen kuluttamaan epätavallisen suuren määrän virtaa, kone pysähtyy automaattisesti ja näyttöruutuun tulee näkyviin tätä tilannetta vastaava virhenumero. Katkaise tässä tilanteessa koneesta virta ja lopeta ylikuormitustilan aiheuttanut käyttö. Käynnistä sitten kone uudelleen kytkemällä siihen virta.

Ylikuumenemissuoja

Koneen ylikuumentessa se pysähtyy automaattisesti ja näyttöruutuun tulee näkyviin tätä tilannetta vastaava virhenumero. Anna tällöin koneen ja akun jäähtyä, ennen kuin kytket koneeseen uudelleen virran.

Ylipurkautumissuoja

Jos akkukapasiteetti ei riitä, kone pysähtyy automaattisesti ja näyttöruutuun tulee näkyviin tätä tilannetta vastaava virhenumero. Irrota tässä tapauksessa akku koneesta ja lataa se.

Päävirtakytkin

⚠HUOMIO: Kun kytket virran päälle, älä koskaan vie koneen kärjen sidontaosia tai liikkuvia osia raajojesi tai kasvojesi lähelle. Muutoin saatat loukkaantua.

⚠HUOMIO: Kun virta on päällä, älä koskaan kosketa koneen kärjen sidontaosia tai liikkuvia osia. Muutoin saatat loukkaantua.

⚠HUOMIO: Ennen kuin asetat akkupaketin paikalleen, nosta sormesi liipaisinkytkimeltä ja lukitse liipaisin. Jos liipaisinkytkintä painetaan samalla, kun koneeseen asennetaan akkupakettia, se voi johtaa onnettomuuteen, mikäli kone aloittaa langan sidontaprosessin vahingossa.

► Kuva3

Kun painat virtapainiketta, koneen virta kytkeytyy päälle ja sidontatilan merkkivalo syttyy. Kone toimii aluksi hetken, koska se säätää itsensä aloitusasentoon. Kun säädöt on tehty, kone pysähtyy automaattisesti. Kun painat virtapainiketta uudelleen, koneen virta kytkeytyy pois päältä ja sidontatilan merkkivalo sammuu.

► **Kuva4:** 1. Sidontatilan merkkivalo 2. Virtapainike

HUOMAA: Koneessa on automaattinen sammu-tustointo. Kun liipaisinkytkintä ei ole käytetty 10 minuuttiin, kone sammuu automaattisesti, jotta akkuvirtaa ei kulu turhaan hukkaan.

HUOMAA: Voit käynnistää koneen uudelleen kytke-mällä virran päälle uudelleen.

Tilanvaihtopainike

Kun virta on päällä ja sidontatilan merkkivalo palaa, voit valita joko kertatoimintatilan tai sarjatoimintatilan tilanvaihtopainiketta käyttämällä. Kun kone kytke-tään päälle, se käynnistyy viimeksi valittuna olleessa toimintatilassa.

► **Kuva5:** 1. Tilanvaihtopainike 2. Kertatoimintatila 3. Sarjatoimintatila

Kytkimen käyttäminen

⚠VAROITUS: Tarkista aina ennen akkupaketin asettamista työkaluun, että liipaisinkytkin kytkeytyy oikein ja palaa ”OFF”-asentoon, kun se vapautetaan.

⚠HUOMIO: Kun et käytä laitetta, lukitse liipaisinlukkopainike OFF-asentoon painamalla liipaisinlukkopainiketta -puolelta.

► **Kuva6:** 1. Liipaisinkytkin 2. Liipaisinlukkopainike

Laitteessa on liipaisinlukkopainike, joka estää liipaisinkytkimen painamisen vahingossa. Voit käynnistää laitteen painamalla liipaisinlukkopainiketta A-puolelta ja vetämällä liipaisimesta. Pysäytä vapauttamalla liipaisinkytkin. Käytön jälkeen paina liipaisinlukkopainiketta B-puolelta.

Kun painat liipaisinkytkintä, kone tekee seuraavat toimet järjestyksessä ja pysähtyy sitten automaattisesti.

1. Langan syöttö.
2. Langan leikkuu.
3. Koukun tekemä langan paikallaan pito ja vääntö.
4. Koukun palautus alkuperäiseen asentoon.

Sidontalajuuden asettaminen

⚠HUOMIO: Varmista, että liipaisin on lukittuna, ennen kuin teet säätöjä. Kun kytket virran päälle, älä koskaan vie koneen kärjen sidontaosia tai liikkuvia osia raajojesi tai kasvojesi lähelle. Muutoin saatat loukkaantua.

► **Kuva7**

Voit asettaa sidontalajuuden säätöpainiketta säätämällä. Sidontalajuus näkyy näyttöruudussa.

► **Kuva8:** 1. Sidontalajuuden säätöpainike 2. Näyttöruutu

Jos lanka katkeaa, sidontalajuutta ei saavuteta. Kun sidonta on tehty, tarkista, ettei väännetty osa ole katkennut.

Jos lanka on katkennut, säädä sidontalajuutta säätöpainikkeen avulla ja sido raudoitustangot uudelleen.

Jäljellä olevan varauksen ilmoitus

Kun akun jännite alittaa tarvittavan tason, kone lakkaa toimimasta, kuuluu virheääni ja näyttöruutuun tulee näkyviin numero "4". Virheääni kuuluu, kunnes virta kytketään pois päältä.

HUOMAA: Mikäli ympäristön lämpötila on erittäin alhainen, virheääni voi kuulua, vaikka akussa olisi riittävästi virtaa.

KOKOONPANO

⚠HUOMIO: Varmista aina ennen mitään työkalulle tehtäviä toimenpiteitä, että se on sammutettu ja akku irrotettu.

Sidontalangan (lankakelan) lataaminen

⚠HUOMIO: Ennen kuin asetat sidontalankoja tai lisävarusteita paikoilleen, kytke virta pois päältä, lukitse liipaisin ja irrota akkupaketti. Muussa tapauksessa seurauksena voi olla onnettomuus.

HUOMAUTUS: Muiden kuin Makitan aitojen sidontalankojen käyttäminen voi aiheuttaa koneen toimintahäiriöitä.

1. Paina vapautusvipua ja lukitse se lukitusvivulla.
▶ **Kuva9:** 1. Vapautusvipu 2. Lukitusvipu

Kun painat vapautusvipua, vasemman ja oikean syöttö-rattaan väliin avautuu rako.

- ▶ **Kuva10:** 1. Vapautusvipu 2. Lukitusvipu 3. Syöttörattaat

2. Avaa kelan suojuus.
▶ **Kuva11:** 1. Kelan suojuus

3. Aseta lankakela koneeseen kuvan osoittamalla tavalla.
▶ **Kuva12:** 1. Lankakela

HUOMAUTUS: Varmista, että lankakela on suunnattu kuvan mukaisesti. Mikäli lankakela suunnataan väärin päin, lanka voi vapautua ja vääntyä.

4. Poista langan kärki kelassa olevasta koukusta.
▶ **Kuva13:** 1. Koukku

5. Suorista langan kärki ja vie se ohjaimen läpi.
▶ **Kuva14:** 1. Ohjain

HUOMAA: Mikäli yrität viedä lankaa ohjaimen läpi langan kärki taittuneena, lanka saattaa jumitua koneeseen.

HUOMAA: Jos yrität pakottaa lankaa ohjaimen läpi, lanka saattaa jumitua.

6. Vedä noin 10 mm lankaa ulos koukkuvarren kärjestä.
▶ **Kuva15:** 1. Koukkuvarsi 2. Noin 10 mm

HUOMAUTUS: Jos ulos vedetyn langan pituus ei ole riittävä, lanka voi rikkoutua sidottaessa tai sidontalujuus voi vaarantua riittämättömän kiertymisen takia.

7. Kelaa lankaa takaisin kelalle niin ettei lanka ole löysällä.
▶ **Kuva16**

8. Vapauta lukitusvipu. Vapautusvivun palautuessa perusasentoonsa vasen ja oikea ratas tarttuvat kiinni kelaan.

- ▶ **Kuva17:** 1. Vapautusvipu 2. Lukitusvipu

- ▶ **Kuva18:** 1. Ratas 2. Langan reitti 3. Lanka

HUOMAUTUS: Kun lukitusvipu vapautetaan ja vasen ja oikea ratas asetuvat toisiaan vasten, rataiden väliin jää niiden urien mukainen vapaa tila. Lanka kulkee tämän vapaan tilan kautta. Varmista, että lanka pääsee kulkemaan tätä reittiä.

9. Sulje kelan suojuus.

- ▶ **Kuva19:** 1. Kelan suojuus

TYÖSKENTELY

Työtä edeltävät tarkistukset

⚠HUOMIO: Jos koneessa on ongelmia turvamekanismien kanssa, älä käytä sitä. Käytön jatkaminen tällöin saattaa johtaa onnettomuuteen.

Varmista ennen koneen käyttämistä, että turvamekanismi toimii normaalisti. Jos kone toimii turvamekanismista riippumatta, lopeta koneen käyttö välittömästi. Pyydy valtuutettua Makita-huoltoilijettä korjaamaan kone.

Liipaisinlukan tarkistaminen

Koneessa on liipaisinlukko, joka estää koneen tahattoman käytön. Lukitse liipaisin ja tarkista, että lukitus estää liipaisinkytkimen painamisen.

Kierto-ohjaimen tarkistaminen

Kone ei toimi liipaisinkytkintä painettaessa, mikäli kiertö-ohjain on avattuna. Tällä estetään käyttäjää koskettamasta koneen kärjen sidontaosia ja liikkuvia osia vahingossa. Käyttäjää voi käyttää konetta vapauttamalla ensin liipaisinkytkimen ja sulkemalla sitten kiertö-ohjaimen.

- ▶ **Kuva20:** 1. Kiertö-ohjain

Kierto-ohjaimen avoimuus-/sulkeutumistunnistuksen tarkistus

Poista sidontalanka ja tarkista, että kone toimii seuraavien vaiheiden mukaisesti eikä käynnisty, jos kiertö-ohjain on auki.

1. Sammuuta virta ja jätä kiertö-ohjain auki.
2. Kytke virta päälle.

Jos kone ei toimi ja näyttöruudussa näkyy "2", kone toimii normaalisti. Sammuta virta ja sulje kiertö-ohjain. Jos kone toimii ja näyttöruudussa ei näy virheilmoitusta, kone ei toimi oikein. Lopeta koneen käyttö välittömästi ja ota yhteyttä paikalliseen Makitan huoltoedustajaan.

⚠HUOMIO: Kun avaat kiertö-ohjaimen ja kytket virran päälle lukituksen tarkistamista varten, tartu kiertö-ohjaimesta kuvan mukaisesti. Älä koskaan vie koneen kärjen sidontaosia tai liikkuvia osia raajojesi tai kasvojesi lähelle. Muutoin saatat loukkaantua.

- ▶ **Kuva21**

Sidontatyö

⚠️HUOMIO: Ennen kuin asetat akkupaketin paikalleen, nosta sormesi liipaisinkytkimeltä ja lukitse liipaisin. Jos liipaisinkytkintä painetaan samalla, kun koneeseen asennetaan akkupakettia, se voi johtaa onnettomuuteen, mikäli kone aloittaa langan sidontaprosessin vahingossa.

⚠️HUOMIO: Kun kytket virran päälle, älä koskaan vie koneen kärjen sidontaosia tai liikkuvia osia raajojesi tai kasvojesi lähelle. Muutoin saatat loukkaantua.

⚠️HUOMIO: Kun virta on päällä, älä koskaan kosketa koneen kärjen sidontaosia tai liikkuvia osia. Muutoin saatat loukkaantua.

► Kuva22

Työtä edeltävät valmistelut

1. Varmista, että akkupaketti on irrotettu ja liipaisin on lukittu.
2. Aseta akkupaketti koneeseen ja kytke sen virta päälle. Kun kytket virran päälle, lanka leikataan automaattisesti.

HUOMAUTUS: Tarkista, että sidontatilan merkivalo syttyy, kun kytket virran päälle. Jos se ei syty, lataa akku uudelleen.

3. Vapauta liipaisinlukko.

► Kuva23: 1. Liipaisinlukkopainike 2. Liipaisinkytkin 3. Virtapainike 4. Sidontatilan merkivalo

Kertatoimintatila

1. Paina koukkuvarsi tiukasti sidontakohtaa vasten. Paina konetta kohtisuoraan raudoitustankoja vasten niin, että koukkuvarsi on 45 asteen linjassa raudoitustankojen kohtisuorasta kohtaamispiesteestä.

► Kuva24

2. Paina liipaisinkytkintä kerran.
3. Kone syöttää ja leikkaa langan automaattisesti.
4. Koukku pitää lankaa paikallaan, vääntää sen ja palaa alkuperäiseen asentoonsa langan sidonnan jälkeen.

► Kuva25

5. Kun sidonta on tehty, vedä kone irti suoraan ylöspäin. Varo, ettei koukkuvarsi tartu kiinni raudoitustankoihin.

⚠️HUOMIO: Jos lanka on jäänyt kiinni koneen kärjen sidontaosiin, sammuta koneen virta. Lukitse liipaisin, irrota akkupaketti ja irrota lanka pihtien tai tonkien kaltaisella työkalulla.

► Kuva26

Sarjatoimintatila

1. Voit vaihtaa koneen kertatoimintatilasta sarjatoimintatilaan tilanvaihtopainikkeen avulla.

► Kuva27: 1. Tilanvaihtopainike

2. Vapauta liipaisinlukko.

3. Pidä liipaisinkytkintä painettuna ja paina samalla konetta kohtisuoraan raudoitustankoja vasten niin, että koukkuvarren linja on 45 astetta raudoitustankojen kohtaamispiesteestä. Paina kontaktilevyä tiukasti sidontakohtaa vasten. Kone sitoo langan.

► Kuva28: 1. Kontaktilevy

4. Kun sidonta on tehty, vedä kone irti suoraan ylöspäin. Varo, ettei koukkuvarsi tartu kiinni raudoitustankoihin.

► Kuva29

Työskentelyyn liittyvät varoitukset

- Jos siirrätkö koukkuvarsta sidontakohtasta langan sidontaprosessin aikana, lanka tarttuu koukkuun, mikä voi johtaa virheelliseen sidontaan.
- Pidä konetta painettuna raudoitustankoja vasten, kunnes langan sidontaprosessi on valmis.
- Älä siirry seuraavaan sidontakohtaan ennen kuin käynnissä oleva langan sidontaprosessi on valmistunut.
- Koneen kärjen liikkuva osa (koukku) vääntää lankaa sen sidontaprosessin aikana. Pidä kahvasta kiinni tiukasti, jotta koneen vääntövoima ei siirry vartaloosi.
- Älä kosketa lankoja langan sidontaprosessin aikana.
- Kun toistat langan sidontaprosessin uudelleen kertatoimintatilassa, vapauta liipaisinkytkin kokonaan sidontojen välillä. Jatka sitten painamalla liipaisinkytkintä.
- Jos painat liipaisinkytkintä sidontalangan loputtua, näkyviin tulee virheilmoitus. Vaihda koneeseen uusi sidontalanka ja käynnistä kone uudelleen.

Sidontavihjeitä

- Tee sidonta 45° kulmassa raudoitustankojen risteämiskohdasta ja vuorottele sidontasuuntaa kuvan mukaisesti.

► Kuva30

- Vältä raudoitustankojen kohokohtia.

► Kuva31

- Jos sidontalujuus ei ole riittävä, vaihda sidontasuuntaa ja tee toinen sidonta, joka kasvattaa sidontalajuutta.

► Kuva32

HUOMAUTUS: Ennen kuin teet toisen sidonnan, taite ensimmäinen sidonta alas. Muutoin langan sidonta saattaa epäonnistua toistamiseen. Se voi jäädä kiinni koneen kärkeen ja koukku voi vahingoittua.

Sidontalankojen vaihtaminen

⚠️HUOMIO: Kun vaihdat lankaa, kytke virta pois päältä, lukitse liipaisin ja irrota akkupaketti. Muussa tapauksessa seurauksena voi olla onnettomuus.

1. Kun lanka on kulunut loppuun, koneesta kuuluu virheääni ja virheilmoitus "1" tulee näkyviin.
 2. Lukitse liipaisin, kytke virta pois päältä ja irrota akkupaketti.
 3. Paina vapautusvipua ja lukitse se lukitusvivulla.
- Kuva33: 1. Vapautusvipu 2. Lukitusvipu

4. Poista lankakela koneesta.

HUOMAA: Kun lanka on kulunut loppuun normaalisti, kelalle jää noin 20 cm lankaa. Vaihda lankakela uuteen, kun tilanne on tämä.

Jos lankakelan poistamisessa koneesta on vaikeuksia, toimi seuraavien ohjeiden mukaan.

1. Aseta akkupaketti koneeseen ja kytke sen virta päälle. Kone syöttää lankaa ja katkaisee sen automaattisesti.
2. Lukitse liipaisin, kytke virta pois päältä ja irrota akkupaketti.
3. Poista katkolangat pihlien tai tonkien tapaisella työkalulla.

KUNNOSSAPITO

▲HUOMIO: Varmista aina ennen tarkastusta tai huoltoa, että työkalu on sammutettu ja akku irrotettu.

HUOMAUTUS: Älä koskaan käytä bensiiniä, ohenteita, alkoholia tai tms. aineita. Muutoin pinta voi halkeilla tai sen värit ja muoto voivat muuttua. Muutoin laitteeseen voi tulla värjäytyimiä, muodon vääristymiä tai halkeamia.

Tuotteen TURVALLISUUDEN ja LUOTETTAVUUDEN takaamiseksi korjaukset, muut huoltotyöt ja säädöt on teetettävä Makitan valtuutetussa huoltopisteessä Makitan varaosia käyttäen.

Leikkurin alueen puhdistaminen

Kun konetta käytetään, leikkurin alueelle voi kertyä pölyä ja langan hiukkasia. Puhdista leikkurin alue tällöin seuraavien ohjeiden mukaisesti. Puhdistus tulisi tehdä joka kerta, kun olet käyttänyt lankakelarasian loppuun. (50 kpl)

Lankaharjan käyttäminen

1. Avaa kelan suojus.
► **Kuva34:** 1. Kelan suojus
2. Paina vapautusvipua ja lukitse se lukitusvivulla.
► **Kuva35:** 1. Vapautusvipu 2. Lukitusvipu
3. Työnnä lankaharja ohjaimen läpi.
Kun työnnät lankaharjaa, pidä kiinni läheltä sen kärkeä ja työnnä sitä ohjaimeen vähän kerrallaan.
► **Kuva36:** 1. Lankaharja
► **Kuva37:** 1. Ratas 2. Ohjain 3. Lankaharja
4. Työnnä lankaharjaa, kunnes se on tullut noin 10 mm ulos koukkuvarren kärjestä. Vedä sitten lankaharja ulos. Tämä toimii tarvitsee tehdä vain kerran.
► **Kuva38:** 1. Koukkuvarsi 2. Lankaharja
5. Sulje kelan suojus.
► **Kuva39:** 1. Kelan suojus

Puhallinpistoolin käyttäminen

Avaa kelan suojus, paina vapautusvipua ja lukitse se lukitusvivulla. Aseta sitten puhallinpistooli ohjaimen lähelle ja puhalla siihen ilmaa. Varmista, että ilma tulee ulos koukkuvarren kärjestä.
► **Kuva40:** 1. Puhallinpistooli 2. Ohjain

Puhdistaminen purkamalla

Jos leikkurin alue on tukkeutunut tai lanka on jäänyt kiinni sinne, pura osat ja puhdista ne.

Purkaminen ja puhdistaminen

1. Löysää pultteja A ja B koneen paketissa toimittulla kuusioavaimella.
► **Kuva41:** 1. Kuusioavain
► **Kuva42:** 1. Pultti A 2. Pultti B 3. Kontaktilevyn suojuus 4. Langan ohjain B

HUOMAUTUS: Älä yritä irrottaa väkisin mitään pultteja, jotka eivät aukea kuusioavaimella.

2. Poista kontaktilevyn suojuus vetämällä se ylös nuolen suuntaisesti. Pultti B irtoaa samalla.
► **Kuva43:** 1. Kontaktilevyn suojuus 2. Pultti B
3. Irrota pultti A ja irrota sitten langan ohjain B.
► **Kuva44:** 1. Pultti A 2. Langan ohjain B
4. Käännä langan ohjain B ympäri ja puhdista sen sisäosat.
► **Kuva45:**
5. Irrota leikkuri A, leikkuri B, ylälevy ja niveltanko A koukkuvarren levystä A. Puhdista sitten nämä osat.
► **Kuva46:** 1. Leikkuri B 2. Niveltanko A 3. Leikkuri A 4. Koukkuvarren levy A 5. Ylälevy

Kokoaminen

Kun olet puhdistanut osat, kokoa ne seuraavasti.

1. Aseta leikkuri A ja niveltanko A paikoilleen koukkuvarren levyn A muotojen mukaisesti.
► **Kuva47:** 1. Leikkuri A 2. Niveltanko A 3. Koukkuvarren levy A
2. Aseta leikkuri B ja ylälevy koukkuvarren levyyn A. (Aseta leikkuri B leikkuriin A ja niveltankoon A.)
► **Kuva48:** 1. Leikkuri B 2. Ylälevy 3. Koukkuvarren levy A 4. Leikkuri A 5. Niveltanko A

HUOMAUTUS: Aseta leikkurissa B oleva uloke alaspäin ja asenna leikkuri kuvan mukaisesti.

3. Kohdista koneen putki langan ohjaimessa B olevan uran kanssa ja kokoa ne.
► **Kuva49:** 1. Putki 2. Ura 3. Langan ohjain B
4. Kiinnitä langan ohjain B paikalleen kiristämällä pulttia A tilapäisesti.
► **Kuva50:** 1. Pultti A 2. Langan ohjain B
5. Aseta kontaktilevyn suojuus nuolen suuntaisesti.
► **Kuva51:** 1. Kontaktilevyn suojuus
6. Kiinnitä langan ohjain B ja kontaktilevyn suojuus paikoilleen kiristämällä pultti A ja pultti B.
► **Kuva52:** 1. Langan ohjain B 2. Kontaktilevyn suojuus 3. Pultti A 4. Pultti B
7. Tarkista kokoamisen jälkeen, että kontaktilevy liikkuu kuvan mukaisesti.
► **Kuva53:** 1. Kontaktilevy

HUOMAA: Jos kontaktilevy on jäänyt kiinni, paina sitä kuvan mukaisesti.

- **Kuva54**

Virhenäyttö ja virheääni

⚠️HUOMIO: Lukitse liipaisin, kytke virta pois päältä ja irrota akkupaketti aina tarkistuksen aikana. Muussa tapauksessa seurauksena voi olla onnettomuus.

⚠️HUOMIO: Kun kytket virran päälle, älä koskaan vie koneen kärjen sidontaosia tai liikkuvia osia raajosi tai kasvojesi lähelle. Muutoin saatat loukkaantua.

⚠️HUOMIO: Kun virta on päällä, älä koskaan kosketa koneen kärjen sidontaosia tai liikkuvia osia. Muutoin saatat loukkaantua.

⚠️HUOMIO: Lopeta koneen käyttö välittömästi, jos koneesta kuuluu virheääni tai siinä ilmenee toimintahäiriö.

Virheääni ja näyttö

Jos kone toimii virheellisesti, siitä kuuluu virheääni ja näyttöruutuun tulee näkyviin virheen numero. Tarkista virheen tiedot seuraavasta taulukosta ja toimi ohjeiden mukaisesti. Jos virhe toistuu, korjauta laite valtuutetussa Makita-huoltoliikkeessä.

Näyttö	Oire	Mahdollinen syy	Ratkaisu
1	Kone lakkaa toimimasta.	Lanka on loppunut.	Lataa uusi lanka.
		Sidontalanka ei ole ladattu.	Lataa sidontalanka.
		Langan syöttö on epäonnistunut.	Tarkista sidontalangan suunta. Poista sidontalanka ja aseta se uudelleen paikalleen. Puhdista langan reitti.
2	Kone lakkaa toimimasta.	Kierto-ohjain on avoinna.	Sulje kierto-ohjain.
3	Kone ei suorita sidontaprosessia sarjatoimintatilassa.	Kontaktilevy on jäänyt kiinni.	Vapauta kontaktilevy.
4	Kone ei käynnisty. Kone lakkaa toimimasta.	Akusta on loppunut virta. Akkupaketin lämpötila on epänormaalin korkea.	Lataa akku uudelleen. Jäähdytä akkupaketti. Vaihda akkupakettiin täyteen ladattuun akkupakettiin.
5	Kone lakkaa toimimasta.	Moottori on ylikuormittunut.	Selvitä moottorin kiertoliikkeen estävä syy ja ratkaise kyseinen ongelma.
		Moottorivika	
6	Kone lakkaa toimimasta.	Koneen lämpötila on epänormaalin korkea.	Jäähdytä kone.
7	Kone ei käynnisty. Kone lakkaa toimimasta.	Koneen virhe	Pyydä valtuutettua Makita-huoltoliikettä korjaamaan laite.

LISÄVARUSTEET

⚠️HUOMIO: Seuraavia lisävarusteita tai laitteita suositellaan käytettäväksi tässä ohjeessa kuvatun Makita-työkalun kanssa. Muiden lisävarusteiden tai laitteiden käyttö voi aiheuttaa henkilövahinkoja. Käytä lisävarusteita ja -laitteita vain niiden käyttötarkoituksen mukaisesti.

Jos tarvitset apua tai yksityiskohtaisempia tietoja seuraavista lisävarusteista, ota yhteys paikalliseen Makitan huoltoon.

- Sidontalanka
- Lankaharja
- Jatkokahva
- Aito Makita-akku ja -laturi

HUOMAA: Jotkin luettelossa mainitut varusteet voivat sisältyä työkalun toimitukseen vakiovarusteina. Ne voivat vaihdella maittain.

SPECIFIKATIONER

Model:		DTR180
Bindetråd (ekstraudstyr)		ø0,8 mm
Diameter af armeringsjern, der kan bindes		Fra #3 x #3 til (#4 x 2) x (#4 x 2) Fra 10 mm x 10 mm til (13 mm x 2) x (13 mm x 2)
Omtrentligt antal bindinger pr. rulle	Udglødet jernbindetråd	Cirka 120 bindinger
	Galvaniseret bindetråd	Cirka 120 bindinger
	Polypropylenharpiksbelagt bindetråd	Cirka 105 bindinger
Samlet længde		304 mm
Mærkespænding		14,4/18 V DC
Nettovægt		2,3 - 2,6 kg

- På grund af vores kontinuerlige forsknings- og udviklingsprogrammer kan hosstående specifikationer blive ændret uden varsel.
- Specifikationer og akku kan variere fra land til land.
- Vægten kan være anderledes afhængigt af tilbehøret, inklusive akkuen. Den letteste og tungeste kombination i henhold til EPTA-procedure 01/2014 er vist i tabellen.

Anvendelig akku og oplader

Akku	14,4 V DC-model	BL1415N / BL1430B / BL1440 / BL1460B
	18 V DC-model	BL1815N / BL1820B / BL1830B / BL1840B / BL1850B / BL1860B
Oplader		DC18RC / DC18RD / DC18RE / DC18SD / DC18SE / DC18SF / DC18SH

- Nogle af de akkuer og opladere, der er angivet ovenfor, er muligvis ikke tilgængelige, afhængigt af hvilket område du bor i.

⚠ ADVARSEL: Brug kun de akkuer og opladere, der er angivet ovenfor. Brug af andre akkuer og opladere kan medføre personskade og/eller brand.

Kombination af armeringsjern, der kan bindes

Kombination af 2 armeringsjern

	#3 (10 mm)	#4 (13 mm)	#5 (16 mm)
#3 (10 mm)	✓	✓	✓
#4 (13 mm)	✓	✓	✓
#5 (16 mm)	✓	✓	✓

Kombination af 3 armeringsjern

	#3 x #3 (10 mm x 10 mm)	#4 x #4 (13 mm x 13 mm)
#3 (10 mm)	✓	✓
#4 (13 mm)	✓	✓
#5 (16 mm)	✓	-

Kombination af 4 armeringsjern

	#3 x #3 (10 mm x 10 mm)	#4 x #4 (13 mm x 13 mm)
#3 x #3 (10 mm x 10 mm)	✓	✓
#4 x #4 (13 mm x 13 mm)	✓	✓

BEMÆRKNING: Hvis der er mellemrum mellem armeringsjern, eller hvis maskinen bruges i en forkert retning, kan armeringsjernene muligvis ikke bindes.

Symboler

Følgende viser de symboler, der muligvis anvendes til udstyret. Sørg for, at du forstår deres betydning før brugen.



Læs brugsanvisningen.



Bær sikkerhedsbriller.



Udsæt ikke for regn.



Hold hænderne væk fra trådrullen eller tråden, når maskinen bruges.



Hold hænderne væk fra spidsen af maskinen.



Kun for lande inden for EU
Bortskaf ikke elektrisk udstyr eller akkuen sammen med almindeligt husholdningsaffald!
I overensstemmelse med EU-direktiverne vedrørende Affald af elektrisk og elektronisk udstyr samt Batterier og akkumulatører og Batteri- og akkumulatoraffald og deres anvendelse i overensstemmelse med nationale love skal elektrisk udstyr og batterier og batteripakker, der har nået slutningen af deres levetid, indsamles separat og returneres til en miljøvenlig genbrugsstation.

Tilsluttet brug

Maskinen er beregnet til at binde armeringsjern.

Støj

Det typiske A-vægtede støjniveau bestemt i overensstemmelse med EN60745-2-18 (EN12549):

Lydtryksniveau (L_{pA}): 78 dB (A)

Usikkerhed (K): 3 dB (A)

Støjniveauet under arbejdet kan overskride 80 dB (A).

BEMÆRK: De(n) angivne støjemissionsværdi(er) er målt i overensstemmelse med en standardtestmetode og kan anvendes til at sammenligne en maskine med en anden.

BEMÆRK: De(n) angivne støjemissionsværdi(er) kan også anvendes i en præliminær eksponeringsvurdering.

ADVARSEL: Bær høreværn.

ADVARSEL: Støjemissionen under den faktiske anvendelse af maskinen kan være forskellig fra de(n) angivne værdi(er), afhængigt af den måde hvorpå maskinen anvendes, især den type arbejdsemne der behandles.

ADVARSEL: Sørg for at identificere de sikkerhedsforskrifter til beskyttelse af operatøren, som er baseret på en vurdering af eksponering under de faktiske brugsforhold (med hensyntagen til alle dele i brugscyklussen, f.eks. de gange, hvor maskinen er slukket, og når den kører i tomgang i tilgift til afbrydertiden).

Vibration

Vibrationens totalværdi (tre-aksial vektorsum) bestemt i overensstemmelse med EN60745-2-18 (ISO8662-11):
Arbejdstilstand: Binding af metalstang
Vibrationsemission (a_h): 2,5 m/s² eller mindre
Usikkerhed (K): 1,5 m/s²

BEMÆRK: De(n) angivne totalværdi(er) for vibration er målt i overensstemmelse med en standardtestmetode og kan anvendes til at sammenligne en maskine med en anden.

BEMÆRK: De(n) angivne totalværdi(er) for vibration kan også anvendes i en præliminær eksponeringsvurdering.

ADVARSEL: Vibrationsemissionen under den faktiske anvendelse af maskinen kan være forskellig fra de(n) angivne værdi(er), afhængigt af den måde hvorpå maskinen anvendes, især den type arbejdsemne der behandles.

ADVARSEL: Sørg for at identificere de sikkerhedsforskrifter til beskyttelse af operatøren, som er baseret på en vurdering af eksponering under de faktiske brugsforhold (med hensyntagen til alle dele i brugscyklussen, f.eks. de gange, hvor maskinen er slukket, og når den kører i tomgang i tilgift til afbrydertiden).

EF-overensstemmelseserklæring

Kun for lande i Europa

EF-overensstemmelseserklæringen er inkluderet som Bilag A i denne brugsanvisning.

SIKKERHEDSADVARSLER

Almindelige sikkerhedsregler for el-værktøj

⚠ ADVARSEL: Læs alle de sikkerhedsadvarsler, instruktioner, illustrationer og specifikationer, der følger med denne maskine. Forsømmelse af at overholde alle nedenstående instruktioner kan medføre elektrisk stød, brand og/eller alvorlig personskade.

Gem alle advarsler og instruktioner til fremtidig reference.

Ordet "el-værktøj" i advarslerne henviser til det netforsynede (netledning) el-værktøj eller batteriforsynede (akku) el-værktøj.

Sikkerhedsadvarsler for akku maskine til binding af armeringsjern

- Ret aldrig maskinen mod en person. Anbring aldrig dine hænder og fødder i nærheden af spidsen af maskinen.** Hvis du betjener maskinen ved et uheld, mens den berører nogen, vil det medføre en uventet ulykke.
- Indfør ikke tråd, mens der er tændt for maskinen.** Ellers kan du blive indfanget i tråden og komme til skade.
- Brug ikke maskinen uden at lukke rulledekslet.** Ellers kan trådrullen falde af og forårsage en ulykke.
- Sørg for at kontrollere, at diametrene af de armeringsjern, der skal bindes, er inden for maskinens kapacitet, før du påbegynder arbejdet.**
- Bær tøj med tætsiddende kanter og ærmer. Undlad at arbejde med et tørklæde eller andre genstande viklet om halsen.** Ellers kan de blive viklet ind i den roterende del og forårsage en ulykke.
- Sørg for at inspicere følgende punkter, før maskinen anvendes.**
 - Kontroller, at der ikke er nogen beskadede dele
 - Kontroller, at der ikke er nogen løse bolte
 - Kontroller, at sikkerhedsanordninger fungerer normalt
- Hold med det samme op med at bruge maskinen, hvis der konstateres nogen unormale forhold. Forsøg ikke selv at reparere maskinen. Kontakt det lokale Makita servicecenter for reparation.** Hvis maskinen bruges i en ufærdig tilstand, kan der ske en ulykke.
- Ved montering af akkuen skal du sørge for at låse afbryderen og ikke placere fingeren på afbryderen.** Forkert betjening kan medføre en ulykke.
- Ved binding af armeringsjern skal du være omhyggelig med ikke at flytte dem.** Du kan komme til skade, hvis armeringsjern flytter sig under bindingen.
- Rør ikke ved trådene under trådbindingen.** Ellers kan du blive indfanget i tråden og komme til skade.
- Placer ikke hænderne i nærheden af bindingspunktet under trådbindingen.** Ellers kan du blive indfanget i tråden og komme til skade.
- Hold fast i grebet på maskinen under trådbindingen.** Ellers kan dit håndled blive vredet, eller din krop kan blive trukket, hvilket kan medføre personskade.
- Fortsæt ikke til det næste bindingspunkt, før den aktuelle trådbinding er færdig.** Ellers kan du komme til skade.
- Vær opmærksom på tråden under trådbindingen.** Ellers kan din hånd blive viklet ind i tråden, og du kan komme til skade.
- Rør ikke ved kontaktpladen under trådbindingen. Hvis du har brug for at berøre kontaktpladen, skal du sørge for at låse afbryderen eller slukke på strømkappen og fjerne akkuen.** Ellers kan du komme til skade.
- Når du har færdiggjort trådbindingen, skal du trække maskinen lodret op.** Ellers kan armen hænge fast i armeringsjernene, hvilket kan forårsage en ulykke.
- Undgå at tabe maskinen, støde den eller slå på den. Hvis der sker et kraftigt stød, før maskinen bruges, skal du sikre dig, at maskinen ikke er beskadiget eller revnet, og at sikkerhedsanordningerne fungerer normalt.** Ellers kan der ske en ulykke.
- Hvis nogen af følgende fænomener opstår, skal du låse afbryderen, slukke på strømkappen og fjerne akkuen fra maskinen.** Hvis maskinen fungerer forkert, kan der ske en ulykke.
 - Hvis der høres en betjeningslyd, så snart akkuen monteres.
 - Hvis der konstateres overophedning eller unormal lugt eller støj.
 - Når du tager forholdsregler som reaktion på fejldisplayet. (Kontakt det lokale Makita servicecenter for reparation.)
 - Ved isætning eller fjernelse af trådrullen.
 - Når du flytter dig, mens du holder maskinen under arbejdet.
 - Når du ikke bruger maskinen.
 - Når du inspicerer eller justerer maskinen.
 - Når du fjerner en fastsiddende tråd.
- Under arbejde på stilladser skal du altid understøtte det og arbejde i en stilling, der sikrer, at du beværer balancen.** Hvis stilladset er ustabil, kan der ske en ulykke.
- Når du arbejder på et tag eller lignende steder, skal du bevæge dig fremad, mens du arbejder, så du kan se, hvor du bevæger dig hen.** Hvis du bevæger dig baglæns, mens du arbejder, kan du miste fodfæstet og forårsage en ulykke.
- Hvis du arbejder på et højtliggende sted, skal du sikre dig, at der ikke er nogen under dig, og være opmærksom for at sikre dig, at du ikke taber nogen værktøjer, mens du arbejder.** Hvis du taber maskinen, kan det medføre en ulykke.
- Brug ikke maskinen til andet arbejde end trådbinding.** Ellers kan der ske en ulykke.

23. **Brug altid Makitas originale tråde.** Hvis tråde ikke bruges i længere tid, kan de ruste. Brug ikke rustne tråde. Ellers kan de forårsage en ulykke.
24. **Efter binding skal du se efter knækkede tråde på grund af overdreven bøjning.** Hvis tråde er knækket, mister de bindestyrke. Juster bindestyrken, og bind armeringsjernene igen.
25. **Placer armen fast mod armeringsjernene.** Hvis den ikke er placeret solidt, vil der være et mellemrum mellem armeringsjernene, og bindestyrken bliver forringet.
11. **Når akkuen bortscaffes, skal du fjerne den fra maskinen og bortscaffe den på et sikkert sted.** Følg de lokale love vedrørende bortscaffelsen af batterier.
12. **Brug kun batterierne med de produkter, som Makita specificerer.** Hvis batterierne installeres i ikke-kompatible produkter, kan det medføre brand, kraftig varme, eksplosion eller udsivning af elektrolyt.
13. **Hvis maskinen ikke skal bruges i længere tid ad gangen, skal du fjerne batteriet fra maskinen.**

Vigtige sikkerhedsinstruktioner for akkuen

1. **Læs alle instruktioner og advarselmærkater på (1) akku-opladeren, (2) akkuen og (3) produktet, som anvender akku.**
2. **Adskil eller ændr ikke akkuen.** Det kan muligvis resultere i en brand, overdreven varme eller eksplosion.
3. **Hold straks op med anvendelsen, hvis brugstiden er blevet stærkt afkortet.** Fortsat anvendelse kan resultere i risiko for overophedning, forbrændinger og endog eksplosion.
4. **Hvis De har fået elektrolytvæske i øjnene, skal De straks skylle den ud med rent vand og derefter øjeblikkeligt søge lægehjælp.** I modsat fald kan De miste synet.
5. **Vær påpasselig med ikke at komme til at kortslutte akkuen:**
 - (1) **Rør ikke ved terminalerne med noget ledende materiale.**
 - (2) **Undgå at opbevare akkuen i en beholder sammen med andre genstande af metal, for eksempel søm, mønter og lignende.**
 - (3) **Udsæt ikke akkuen for vand eller regn.** Kortslutning af akkuen kan forårsage en kraftig øgning af strømmen, overophedning, mulige forbrændinger og endog værktøjstop.
6. **Opbevar og brug ikke maskinen og akkuen på steder, hvor temperaturen muligvis kan nå eller overstige 50 °C.**
7. **Lad være med at brænde akkuen, selv ikke i tilfælde, hvor den har lidt alvorlig skade eller er fuldstændig udtjent.** Akkuen kan eksplodere, hvis man forsøger at brænde den.
8. **Slå ikke søm i, skær ikke i, knus, kast, tab ikke akkuen og stød ikke akkuen mod en hård genstand.** Sådan adfærd kan muligvis resultere i en brand, overdreven varme eller eksplosion.
9. **Anvend ikke en beskadiget akku.**
10. **De indbyggede litium-ion-batterier er underlagt lovkrav vedrørende farligt gods.**

Ved kommerciel transport, f.eks. af tredjeparts transportselskaber, skal særlige krav til forpakning og mærkning overholdes.

Ved forberedelse af udstyret til forsendelse skal du kontakte en ekspert i farligt gods. Overhold også eventuel mere detaljeret national lovgivning. Tape eller tildæk åbne kontakter, og pak batteriet på en måde, så det ikke kan flytte sig rundt i pakningen.

14. **Akkuen kan muligvis under og efter brug være varm, hvilket kan forårsage forbrændinger eller lavtemperaturforbrændinger.** Vær påpasselig med håndtering af varme akkuer.
15. **Rør ikke terminalen på maskinen straks efter brug, da den bliver varm nok til at forårsage forbrændinger.**
16. **Sørg for at spåner, støv eller jord ikke sætter sig fast inde i terminalerne, hullerne og rillerne på akkuen.** Det kan muligvis medføre dårlig ydelse eller nedbrud af maskinen eller akkuen.
17. **Medmindre maskinen understøtter brugen i nærheden af elektriske højspændingsledninger, skal du ikke anvende akkuen i nærheden af elektriske højspændingsledninger.** Det kan muligvis medføre funktionsfejl på eller nedbrud af maskinen eller akkuen.
18. **Opbevar batteriet utilgængeligt for børn.**

GEM DENNE BRUGSANVISNING.

⚠FORSIGTIG: Brug kun originale batterier fra Makita. Brug af uoriginale Makita-batterier, eller batterier som er blevet ændret, kan muligvis medføre brud på batteriet, hvilket kan forårsage brand, personskade eller beskadigelse. Det ugyldiggør også Makita-garantien for Makita-maskinen og opladeren.

Tips til opnåelse af maksimal akku-levetid

1. **Oplad akkuen, inden den er helt afladet. Stop altid værktøjet, og oplad akkuen, hvis De bemærker, at værktøjeffekten er aftagende.**
2. **Genoplad aldrig en fuldt opladet akku. Overopladning vil afkorte akkuens levetid.**
3. **Oplad akkuen ved stuetemperatur ved 10 °C - 40 °C. Lad altid en varm akku få tid til at køle af, inden den oplades.**
4. **Når du ikke anvender akkuen, skal du fjerne den fra maskinen eller opladeren.**
5. **Oplad akkuen, hvis De ikke skal bruge den i længere tid (mere end seks måneder).**

FUNKTIONSBESKRIVELSE

⚠️FORSIGTIG: Sørg altid for at maskinen er slukket, og at akkuen er taget ud, før der udføres justering eller kontrol af funktioner på maskinen.

Isætning eller fjernelse af akkuen

⚠️FORSIGTIG: Sluk altid for værktøjet, før De monterer eller fjerner akkuen.

⚠️FORSIGTIG: Hold værktøjet og akkuen fast ved montering eller fjernelse af akkuen. Hvis De ikke holder værktøjet og akkuen fast, kan de glide ud af hænderne på Dem og forårsage beskadigelse af værktøjet og akkuen eller personskade.

► Fig.1: 1. Rød indikator 2. Knap 3. Akku

Akkuen fjernes ved, at De trækker den ud af værktøjet, idet De skyder knappen på forsiden af akkuen i stilling.

Akkuen monteres ved, at De sætter tungen på akkuen ud for noten i kabinettet og lader den glide på plads. Sæt den hele vejen ind, så den låses på plads med et lille klik. Hvis den røde indikator på oversiden af knappen er synlig, betyder det, at den ikke er tilstrækkeligt låst.

⚠️FORSIGTIG: Monter altid akkuen helt, indtil den røde indikator ikke længere er synlig. Hvis dette ikke gøres, kan den falde ud af værktøjet ved et uheld, hvorved De selv eller personer i nærheden kan komme til skade.

⚠️FORSIGTIG: Brug ikke magt ved montering af akkuen. Hvis akkuen ikke glider på plads uden problemer, betyder det, at den ikke sættes i på korrekt vis.

Indikation af den resterende batteriladning

Kun til akkuer med indikatoren

► Fig.2: 1. Indikatorlamper 2. Kontrolknap

Tryk på kontrolknappen på akkuen for at få vist den resterende batteriladning. Indikatorlampen lyser i nogle sekunder.

Indikatorlamper			Resterende ladning
Tændt	Slukket	Blinker	
■	□	◻	75% til 100%
■ ■ ■ ■			
■ ■ ■ □			50% til 75%
■ ■ □ □			25% til 50%
■ □ □ □			0% til 25%
◻ □ □ □			Genoplad batteriet.
■ ■ □ □			Der er muligvis fejl i batteriet.
□ □ ■ ■			

BEMÆRK: Afhængigt af brugsforholdene og den omgivende temperatur kan indikationen afvige en smule fra den faktiske ladning.

BEMÆRK: Den første indikatorlampe (længst mod venstre) vil blinke, når batteribeskyttelsessystemet aktiveres.

Beskyttelsessystem til værktøj/batteri

Maskinen er udstyret med et beskyttelsessystem til maskinen/batteriet. Dette system afbryder automatisk strømmen til motoren for at forlænge maskinens og batteriets levetid. Maskinen stopper automatisk under brugen, hvis maskinen eller batteriet udsættes for et af følgende forhold:

Overbelastningsbeskyttelse

Hvis batteriet anvendes på en måde, der bevirker, at det forbruger en unormal mængde strøm, stopper maskinen automatisk, og det tilsvarende fejlnummer vises på displayet. Sluk i så fald for maskinen, og stop den anvendelse, der medførte, at maskinen blev overbelastet. Tænd derefter for maskinen for at starte igen.

Beskyttelse mod overophedning

Hvis maskinen eller batteriet bliver overophedet, stopper maskinen automatisk, og det tilsvarende fejlnummer vises på displayet. Lad i så fald maskinen og batteriet køle ned, før der tændes for maskinen igen.

Beskyttelse mod overafledning

Hvis batteriladningen er utilstrækkelig, stopper maskinen automatisk, og det tilsvarende fejlnummer vises på displayet. Fjern i så fald batteriet fra maskinen, og lad batteriet op.

Hovedafbryder

⚠️FORSIGTIG: Når du tænder for strømmen, må du aldrig placere arme, ben eller ansigtet i nærheden af bindingsdelene eller de roterende dele på spidsen af maskinen. Ellers kan du komme til skade.

⚠️FORSIGTIG: Når der er tændt for strømmen, må du aldrig berøre bindingsdelene eller de roterende dele på spidsen af maskinen. Ellers kan du komme til skade.

⚠️FORSIGTIG: Før indsætning af akkuen skal du sørge for at fjerne fingrene fra afbryderknappen og låse afbryderen. Hvis du indsætter akkuen, mens afbryderknappen er trykket ned, kan det medføre en ulykke, hvis der udføres trådbinding ved et uheld.

► Fig.3

Når du trykker på strømknappen, tændes der for maskinen, og lampen for bindingstilstand tændes. Maskinen kører kortvarigt for at indstille til dens startposition. Når justeringen er færdig, stopper maskinen automatisk. Når du trykker på strømknappen igen, slukkes der for maskinen, og lampen for bindingstilstand slukkes.

► Fig.4: 1. Lampe for bindingstilstand 2. Strømknapp

BEMÆRK: Maskinen har en funktion til automatisk slukning. Hvis afbryderknappen ikke betjenes i 10 minutter, slukkes der automatisk for maskinen for at spare på batteriforbruget.

BEMÆRK: Tænd for strømmen igen for at genstarte maskinen.

Knap til tilstandsvalg

Når der tændes for strømmen, og lampen for bindings-tilstand lyser, kan du vælge enkelt aktiveringstilstand eller kontinuerlig aktiveringstilstand vha. knappen til tilstandsvalg. Når du tænder for strømmen igen, starter maskinen i den senest valgte tilstand.

► **Fig.5:** 1. Knap til tilstandsvalg 2. Enkelt aktiveringstilstand 3. Kontinuerlig aktiveringstilstand

Afbryderbetjening

⚠ ADVARSEL: Inden akkuen sættes i maskinen, bør De altid kontrollere, at afbryderknappen fungerer korrekt, og returnerer til "OFF"-positionen, når den slippes.

⚠ FORSIGTIG: Når maskinen ikke er i brug, skal du trykke på afbryderlåseknappen fra -siden for at låse afbryderknappen fast i FRA-stillingen.

► **Fig.6:** 1. Afbryderknap 2. Afbryderlåseknapp

En afbryderlåseknapp forhindrer, at der trykkes på afbryderknappen ved en fejltagelse. Maskinen startes ved at trykke afbryderlåseknappen ind fra A-siden og trykke på afbryderknappen. Slip afbryderknappen for at stoppe. Tryk afbryderlåseknappen ind fra B-siden efter brug.

Når du trykker på afbryderknappen, udfører maskinen de næste sekventielle operationer på følgende måde, og maskinen stopper automatisk.

1. Fremføring af tråden.
2. Skæring af tråden.
3. Krogene holder og bøjer tråden.
4. Krogen vender tilbage til den oprindelige position.

Indstilling for bindestyrke

⚠ FORSIGTIG: Sørg for at låse afbryderen, før du starter justeringen. Når du tænder for strømmen, må du aldrig placere arme, ben eller ansigt i nærheden af bindingsdelene eller de roterende dele på spidsen af maskinen. Ellers kan du komme til skade.

► **Fig.7**

Du kan indstille bindestyrken ved at juster justeringsknappen for bindestyrke. Bindestyrken vises på displayet.

► **Fig.8:** 1. Justeringsknap for bindestyrke 2. Display

Hvis tråden knækker, mistes der bindestyrke. Efter binding skal du kontrollere den bøjede del for brud. Hvis tråden er brækket af, skal du justere bindestyrken ved hjælp af justeringsknappen for bindestyrke og binde armeringsjernene igen.

Besked om resterende batteri

Hvis batterispændingen falder under det påkrævede niveau, holder maskinen op med at fungere, der lyder en fejltone, og tallet "4" vises på displayet. Fejltonen fortsætter med at lyde, indtil der slukkes for strømmen.

BEMÆRK: Hvis den omgivende temperatur er ekstremt lav, lyder fejltonen muligvis, selvom batteriet har tilstrækkelig ladning.

SAMLING

⚠ FORSIGTIG: Sørg altid for at maskinen er slukket, og at akkuen er taget ud, før der udføres noget arbejde på maskinen.

Indføring af bindetråden (trådrulle)

⚠ FORSIGTIG: Før montering eller fjernelse af bindetråde og ekstraudstyr skal du sørge for at slukke for strømmen, låse afbryderen og fjerne akkuen. Undladelse af dette kan medføre en ulykke.

BEMÆRKNING: Brug af andre tråde end Makitas originale bindetråde kan medføre funktionsfejl i maskinen.

1. Tryk på udløserhåndtaget, og lås det fast med låsehåndtaget.

► **Fig.9:** 1. Udløserhåndtag 2. Låsehåndtag

Når du trykker på udløserhåndtaget, dannes der et mellemrum mellem venstre og højre fremføringstahjul.

- **Fig.10:** 1. Udløserhåndtag 2. Låsehåndtag
3. Fremføringstahjul

2. Åbn rulledækslet.

► **Fig.11:** 1. Rulledæksel

3. Monter trådrullen på maskinen i den retning, der er vist på illustrationen.

► **Fig.12:** 1. Trådrulle

BEMÆRKNING: Sørg for at montere trådrullen i den retning, der er vist på illustrationen. Hvis den monteres den anden vej, frigøres tråden, og den kan blive snoet.

4. Hægt trådspidsen af kroge på rullen.

► **Fig.13:** 1. Krog

5. Gør trådspidsen lige, og før tråden gennem styret.

► **Fig.14:** 1. Styr

BEMÆRK: Hvis trådspidsen er bøjet, når den føres gennem styret, vil tråden sætte sig fast i maskinen.

BEMÆRK: Hvis du bruger magt på tråden, når du forsøger at føre den gennem styret, kan tråden sætte sig fast.

6. Træk tråden cirka 10 mm ud fra spidsen af armen.

► **Fig.15:** 1. Arm 2. Cirka 10 mm

BEMÆRKNING: Hvis længden af den tråd, der trækkes ud, er for lille, kan tråden brække af, når den bindes, eller bindestyrken kan blive forringet pga. for få omviklinger.

7. Sno tråden op igen for at eliminere slæk.

► Fig.16

8. Slip låsehåndtaget. Udløserhåndtaget vender tilbage, og tråden holdes fast af venstre og højre tandhjul.

► Fig.17: 1. Udløserhåndtag 2. Låsehåndtag

► Fig.18: 1. Tandhjul 2. Trådens sti 3. Tråd

BEMÆRKNING: Når låsehåndtaget slippes, og når venstre og højre tandhjul griber ind i hinanden, danner rillerne i tandhjulene et mellemrum. Dette mellemrum bliver trådens sti. Sørg for, at tråden føres gennem denne sti.

9. Luk rulledekslet.

► Fig.19: 1. Rulledeksel

ANVENDELSE

Kontrolpunkter før arbejdet

⚠FORSIGTIG: Undlad at bruge maskinen, hvis der er et problem med en sikkerhedsanordning. Hvis du fortsætter med at bruge den, kan der ske en ulykke.

Før du bruger maskinen, skal du sikre dig, at sikkerhedsanordningen fungerer normalt. Hold med det samme op med at bruge maskinen, hvis maskinen fungerer, uden at sikkerhedsanordningen fungerer. Kontakt det lokale Makita servicecenter for reparation.

Kontrol af afbryderlåsen

Maskinen har en afbryderlås for at forhindre maskinen i at fungere, når du ikke har til hensigt at bruge den. Lås afbryderen, og kontroller, at afbryderknappen ikke kan trykkes ind.

Kontrol af snoningsstyret

For at forhindre operatøren i at berøre de bindende eller roterende dele i maskinens spids ved en fejltagelse kan maskinen ikke fungere, selvom afbryderknappen trykkes ind, når snoningsstyret er åbent. Når operatøren fjerner fingeren fra afbryderknappen og lukker snoningsstyret, kan maskinen fungere.

► Fig.20: 1. Snoningsstyr

Kontrol af snoningsstyrets registrering af åben/lukket tilstand

Fjern bindetråden, kontroller maskinens funktion i henhold til følgende trin, og sørg for, at maskinen ikke starter, hvis snoningsstyret er åbent.

1. Sluk for strømmen, og lad snoningsstyret være åbent.
2. Tænd for strømmen.

Hvis maskinen ikke fungerer, og værdien "2" vises på displayet, er maskinens tilstand normal. Sluk for strømmen, og luk snoningsstyret.

Hvis maskinen fungerer, og der ikke vises en fejl på displayet, er maskinens tilstand unormal. Hold med det samme op med at bruge maskinen, og bed dit lokale Makita servicecenter om reparation.

⚠FORSIGTIG: Hvis du åbner snoningsstyret og tænder for strømmen for at kontrollere interlock-låsen, skal du holde snoningsstyret som vist på illustrationen. Placer aldrig arme, ben eller ansigtet i nærheden af bindingsdelene eller de roterende dele på spidsen af maskinen. Ellers kan du komme til skade.

► Fig.21

Bindingsarbejde

⚠FORSIGTIG: Før indsætning af akkuen skal du sørge for at fjerne fingrene fra afbryderknappen og låse afbryderen. Hvis du indsætter akkuen, mens afbryderknappen er trykket ned, kan det medføre en ulykke, hvis der udføres trådbinding ved et uheld.

⚠FORSIGTIG: Når du tænder for strømmen, må du aldrig placere arme, ben eller ansigtet i nærheden af bindingsdelene eller de roterende dele på spidsen af maskinen. Ellers kan du komme til skade.

⚠FORSIGTIG: Når der er tændt for strømmen, må du aldrig berøre bindingsdelene eller de roterende dele på spidsen af maskinen. Ellers kan du komme til skade.

► Fig.22

Forberedelse før arbejdet

1. Sørg altid for, at akkuen er fjernet, og at afbryderen er låst.
2. Sæt akkuen i maskinen, og tænd for strømmen. Når du tænder for strømmen, skæres tråden automatisk.

BEMÆRKNING: Kontroller, at lampen for bindingsstilstand lyser, når der tændes for strømmen. Genoplad batteriet, hvis den ikke lyser.

3. Slip afbryderlåsen.

► Fig.23: 1. Afbryderlåseknop 2. Afbryderknop
3. Strømknop 4. Lampe for bindingsstilstand

Enkelt aktiveringstilstand

1. Skub armen fast mod bindingspunktet. Skub maskinen lodret mod armeringsjernene, og tryk armen mod det punkt, hvor armeringsjernene krydser hinanden, i en vinkel på 45 grader.

► Fig.24

2. Tryk én gang på afbryderknappen.
3. Tråden fremføres og skæres automatisk.
4. Krogen holder og bøjer tråden og går derefter tilbage til den oprindelige position, når trådene er bundet.

► Fig.25

5. Efter bindingen skal du sørge for, at armen ikke hænger fast i armeringsjernene, og trække maskinen op.

⚠FORSIGTIG: Hvis tråden har grebet fast i bindingsdelen på maskinens spids, skal du slukke for strømmen til maskinen. Lås afbryderen, fjern akkuen, og fjern tråden ved hjælp af værktøjer som f.eks. en bidetang eller en niptang.

► Fig.26

Kontinuerlig aktiveringstilstand

1. Skift maskinens tilstand fra enkelt aktiveringstilstand til kontinuerlig aktiveringstilstand vha. knappen til tilstandsvalg.

► **Fig.27:** 1. Knap til tilstandsvalg

2. Slip afbryderlåsen.

3. Idet der trykkes på afbryderknappen, skal du skubbe maskinen lodret mod armeringsjernene og trykke armen mod det punkt, hvor armeringsjernene krydser hinanden, i en vinkel på 45 grader. Tryk kontaktpladen fast mod bindingspunktet. Tråden bindes.

► **Fig.28:** 1. Kontaktplade

4. Efter bindingen skal du sørge for, at armen ikke hænger fast i armeringsjernene, og trække maskinen op.

► **Fig.29**

Forholdsregler under arbejdet

- Hvis du flytter armen fra bindingspositionen under trådbindingen, vil tråden hænge fast i krogen, hvilket kan medføre forkert binding.
- Bliv ved med at holde maskinen mod armeringsjernene, indtil trådbindingen er færdig.
- Fortsæt ikke til det næste bindingspunkt, før den aktuelle trådbinding er færdig.
- Maskinspidens roterende del (krogen) snor tråden under trådbindingen. Hold fast i grebet, så maskinen ikke trækker i din krop.
- Rør ikke ved trådene under trådbindingen.
- Hvis du gentager trådbindingerne i enkeltaktiveringstilstand, skal du fjerne din finger helt fra afbryderknappen. Fortsæt derefter med at betjene afbryderknappen.
- Hvis du trykker afbryderknappen ind, når der ikke er noget bindetråd tilbage, vises der en fejl. Udskift med en ny bindetråd, og start maskinen igen.

Tip til binding

• Vip maskinen i en vinkel på 45° med de krydsede armeringsjern og bind på skift som vist på illustrationen.

► **Fig.30**

• Undgå knubbete afsnit af armeringsjern.

► **Fig.31**

• Hvis bindestyrken er utilstrækkelig, skal du ændre bindingsretningen og udføre binding to gange, så bindestyrken øges.

► **Fig.32**

BEMÆRKNING: Når du foretager den anden binding, skal du bøje enden af den første binding, før du foretager den anden binding. Ellers kan tråden blive afvist den anden gang. Den kan hænge fast i spidsen af maskinen, og krogen kan blive ødelagt.

Skift af bindetråden

⚠FORSIGTIG: Når du skifter tråden, skal du sørge for at slukke for strømmen, låse afbryderen og fjerne akkuen. Undladelse af dette kan medføre en ulykke.

1. Når tråden er brugt op, lyder der en fejltone, og fejll "4" vises.

2. Lås afbryderen, sluk for strømmen, og fjern akkuen.

3. Tryk på udløserhåndtaget, og lås det fast med låsehåndtaget.

► **Fig.33:** 1. Udløserhåndtag 2. Låsehåndtag

4. Tag trådrollen ud af maskinen.

BEMÆRK: Når tråden er brugt op normalt, er der cirka 20 cm tråd viklet omkring rullen. I denne tilstand skal trådrollen udskiftes med en ny.

Benyt nedenstående fremgangsmåde, hvis det er svært at fjerne trådrollen fra maskinen.

1. Sæt akkuen i maskinen, og tænd for strømmen. Maskinen fremfører tråden og skærer den automatisk.

2. Lås afbryderen, sluk for strømmen, og fjern akkuen.

3. Fjern den brækkede tråd ved hjælp af værktøjer som f.eks. en bidetang eller en niptang.

VEDLIGEHOLDELSE

⚠FORSIGTIG: Vær altid sikker på, at værktøjet er slukket, og at akkuen er taget ud, inden De begynder på at udføre inspektion eller vedligeholdelse.

BEMÆRKNING: Anvend aldrig benzin, rensbenzin, fortynder, alkohol og lignende. Det kan medføre misfarvning, deformation eller revner.

For at opretholde produktets SIKKERHED og PÅLIDELIGHED må reparation, vedligeholdelse eller justering kun udføres af et autoriseret Makita servicecenter eller fabrikksservicecenter med anvendelse af Makita reservedele.

Rengøring af klipperafsnittet

Når maskinen bruges, kan der sætte sig støv og trådparkler i klipperafsnittet. I så fald skal du rengøre klipperafsnittet ved at benytte følgende fremgangsmåde. Rengøringen skal udføres hver gang, du opbruger en boks med ruller. (50 stk.)

Brug af trådbørsten

1. Åbn rulledækslet.

► **Fig.34:** 1. Rulledæksel

2. Tryk på udløserhåndtaget, og lås det fast med låsehåndtaget.

► **Fig.35:** 1. Udløserhåndtag 2. Låsehåndtag

3. Før trådbørsten gennem styret.

Når du indsætter trådbørsten, skal du holde den kort og trykke den ind i styret lidt efter lidt.

► **Fig.36:** 1. Trådbørste

► **Fig.37:** 1. Tandhjul 2. Styr 3. Trådbørste

4. Skub trådbørsten ind indtil den kommer cirka 10 mm ud fra spidsen af armen. Træk derefter trådbørsten ud. Denne handling behøves kun én gang.

► **Fig.38:** 1. Arm 2. Trådbørste

5. Luk rulledekslet.

► **Fig.39:** 1. Rulledeksel

Brug af luftblæserpistolen

Åbn rulledekslet, tryk på udløserhåndtaget, og lås det fast med låsehåndtaget. Før derefter luftblæserpistolen hen tæt på styret og blæs luften. Sørg for at luften kommer fra spidsen af armen.

► **Fig.40:** 1. Luftblæserpistol 2. Styr

Rengøring med afmontering

Hvis klipperafsnittet er tilstoppet, eller der sidder en tråd i klemme i det, skal du afmontere delene og rengøre dem.

Adskillelse og rengøring

1. Løsn boltene A og B ved hjælp af sekskantnøglen, der medfølger i maskinpakken.

► **Fig.41:** 1. Sekskantnøgle

► **Fig.42:** 1. Bolt A 2. Bolt B 3. Kontaktpladens dæksel 4. Trådstyr B

BEMÆRKNING: Undlad at bruge magt til at fjerne bolte, der ikke kan fjernes ved hjælp af sekskantnøglen.

2. Træk kontaktpladens dæksel opad i pilens retning, og fjern det. Bolt B fjernes på samme tid.

► **Fig.43:** 1. Kontaktpladens dæksel 2. Bolt B

3. Fjern Bolt A, og fjern trådstyr B.

► **Fig.44:** 1. Bolt A 2. Trådstyr B

4. Vend trådstyr B om, og rengør dets inderside.

► **Fig.45**

5. Fjern klipper A, klipper B, toppladen og linkarm A fra armlade A. Rengør dem derefter.

► **Fig.46:** 1. Klipper B 2. Linkarm A 3. Klipper A 4. Armlade A 5. Topplade

Samling

Når du er færdig med rengøringen, skal du samle delene ved at benytte følgende fremgangsmåde.

1. Monter klipper A og linkarm A, så de passer til formen af armlade A.

► **Fig.47:** 1. Klipper A 2. Linkarm A 3. Armlade A

2. Monter klipper B og toppladen på armlade A. (Monter klipper B på klipper A og linkarm A.)

► **Fig.48:** 1. Klipper B 2. Topplade 3. Armlade A 4. Klipper A 5. Linkarm A

BEMÆRKNING: Vend fremspringet på klipper B nedad, og monter klipperen som vist på illustrationen.

3. Juster røret på maskinen i forhold til rillen inde i trådstyr B, og saml dem.

► **Fig.49:** 1. Rør 2. Rille 3. Trådstyr B

4. Fastgør trådstyr B ved midlertidigt at stramme bolt A.

► **Fig.50:** 1. Bolt A 2. Trådstyr B

5. Monter kontaktpladens dæksel i pilens retning.

► **Fig.51:** 1. Kontaktpladens dæksel

6. Fastgør trådstyr B og kontaktpladens dæksel forsvarligt ved at stramme bolt A og bolt B.

► **Fig.52:** 1. Trådstyr B 2. Kontaktpladens dæksel 3. Bolt A 4. Bolt B

7. Kontroller efter samlingen, at kontaktpladen kan bevæge sig som vist på illustrationen.

► **Fig.53:** 1. Kontaktplade

BEMÆRK: Hvis kontaktpladen sidder fast, skal du trykke på den som vist på illustrationen.

► **Fig.54**

Fejldisplay og fejltone

⚠FORSIGTIG: Under inspektion skal du sørge for at låse afbryderen, slukke for strømmen og fjerne akkuen. Undladelse af dette kan medføre en ulykke.

⚠FORSIGTIG: Når du tænder for strømmen, må du aldrig placere arme, ben eller ansigtet i nærheden af bindingsdelene eller de roterende dele på spidsen af maskinen. Ellers kan du komme til skade.

⚠FORSIGTIG: Når der er tændt for strømmen, må du aldrig berøre bindingsdelene eller de roterende dele på spidsen af maskinen. Ellers kan du komme til skade.

⚠FORSIGTIG: Hold med det samme op med at bruge maskinen, hvis der lyder en fejltone, eller maskinen ikke fungerer.

Fejltone og display

Hvis der opstår en fejl, lyder der en fejltone, og der vises et fejlnummer i displayet. Se følgende tabel, og udfør de relevante handlinger. Bed et autoriseret Makita servicecenter om reparation, hvis fejlen opstår igen.

Display	Symptom	Mulig årsag	Løsning
1	Maskinen holder op med at fungere.	Tråden er brugt op.	Isæt ny bindetråd.
		Bindetråd er ikke isat.	Isæt bindetråd.
		Fejl i fremføring af tråd.	Kontroller bindetrådens retning. Tag bindetråden ud, og sæt den i igen. Rengør trådens sti.
2	Maskinen holder op med at fungere.	Snoningsstyret er åbent.	Luk snoningsstyret.
3	Maskinen udfører ikke bindeprocessen i kontinuerlig aktiveringstilstand.	Kontaktpladen sidder fast.	Frigør den fastsiddende kontaktplade.
4	Maskinen starter ikke. Maskinen holder op med at fungere.	Batteriet er afladet. Akkuens temperatur er unormalt høj.	Genoplad batteriet. Lad akkuen køle ned. Udskift akkuen med en, der er opladet.
5	Maskinen holder op med at fungere.	Motoren er overbelastet.	Find årsagen til blokeringen af motorrotationen, og løs problemet.
		Motorfejl	
6	Maskinen holder op med at fungere.	Maskinens temperatur er unormalt høj.	Lad maskinen køle ned.
7	Maskinen starter ikke. Maskinen holder op med at fungere.	Maskinfejl	Bed et autoriseret Makita servicecenter om reparation.

EKSTRAUDSTYR

⚠FORSIGTIG: Det følgende tilbehør og ekstraudstyr er anbefalet til brug med Deres Makita maskine, der er beskrevet i denne brugsanvisning. Anvendelse af andet tilbehør eller ekstraudstyr kan udgøre en risiko for personskade. Anvend kun tilbehør og ekstraudstyr til det beskrevne formål.

Hvis De behøver hjælp ved valg af tilbehør eller ønsker yderligere informationer, bedes De kontakte Deres lokale Makita servicecenter.

- Bindetråd
- Trådbørste
- Forlængelseshåndtag
- Original Makita akku og oplader

BEMÆRK: Nogle ting på denne liste kan være inkluderet i værktøjspakken som standardtilbehør. Det kan være forskellige fra land til land.

SPECIFIKĀCIJAS

Modelis:		DTR180
Apsiešanas stieple (papildpiederums)		ø0,8 mm
Stieplu diametrs, kuras var apstiet		No Nr. 3 x Nr. 3 līdz (Nr. 4 x 2) x (Nr. 4 x 2) No 10 mm x 10 mm līdz (13 mm x 2) x (13 mm x 2)
Aptuvenais apsiešanas reižu skaits no vienas spoles	Rūditā tērauda apsiešanas stieple	Aptuveni 120 apsiešanas reižu
	Cinkota apsiešanas stieple	Aptuveni 120 apsiešanas reižu
	Apsiešanas stieple ar poliuretāna pārklājumu	Aptuveni 105 apsiešanas reižu
Kopējais garums		304 mm
Nominālais spriegums		14,4/18 V līdzstrāva
Neto svars		2,3 - 2,6 kg

- Nepārtrauktās izpētes un izstrādes programmas dēļ šeit uzrādītās specifikācijas var tikt mainītas bez brīdinājuma.
- Specifikācijas un akumulatora kasetne var atšķirties dažādās valstīs.
- Svārs var būt atšķirīgs atkarībā no papildierīces(-ēm), tostarp akumulatora kasetnes. Tabulā ir attēlota vieglākā un smagākā kombinācija atbilstoši EPTA procedūrai 01/2014.

Piemērotā akumulatora kasetne un lādētājs

Akumulatora kasetne	14,4 V līdzstrāvas modelis	BL1415N / BL1430B / BL1440 / BL1460B
	18 V līdzstrāvas modelis	BL1815N / BL1820B / BL1830B / BL1840B / BL1850B / BL1860B
Lādētājs	DC18RC / DC18RD / DC18RE / DC18SD / DC18SE / DC18SF / DC18SH	

- Daži no iepriekš norādītajiem lādētājiem un akumulatora kasetnēm var nebūt pieejami atkarībā no jūsu mītnes reģiona.

⚠ BRĪDINĀJUMS: Izmantojiet vienīgi iepriekš norādītās akumulatora kasetnes un lādētājus. Cita tipa akumulatora kasetņu un lādētāju izmantošana var radīt traumu un/vai aizdegšanās risku.

Stiegru kombinācija, kuras var apstiet

2 stiegru kombinācija

	Nr. 3 (10 mm)	Nr. 4 (13 mm)	Nr. 5 (16 mm)
Nr. 3 (10 mm)	✓	✓	✓
Nr. 4 (13 mm)	✓	✓	✓
Nr. 5 (16 mm)	✓	✓	✓

3 stiegru kombinācija

	Nr. 3 x Nr. 3 (10 mm x 10 mm)	Nr. 4 x Nr. 4 (13 mm x 13 mm)
Nr. 3 (10 mm)	✓	✓
Nr. 4 (13 mm)	✓	✓
Nr. 5 (16 mm)	✓	-

4 stiegru kombinācija

	Nr. 3 x Nr. 3 (10 mm x 10 mm)	Nr. 4 x Nr. 4 (13 mm x 13 mm)
Nr. 3 x Nr. 3 (10 mm x 10 mm)	✓	✓
Nr. 4 x Nr. 4 (13 mm x 13 mm)	✓	✓

IEVĒRĪBAI: Ja starp stiegrām ir atstarpe vai ja darbarīks izmantošanas laikā nav pareizi orientēts, iespējams, ka stiegras nevar apstiet.

Simboli

Tālāk ir attēloti simboli, kas var attiekties uz darbarīka lietošanu. Pirms darbarīka izmantošanas pārliecinieties, vai pareizi izprotat to nozīmi.



Izlasiet lietošanas rokasgrāmatu.



Izmantojiet aizsargbrilles.



Neatstājiet lietot.



Strādājot ar darbarīku, raugiet, lai rokas neatrast stieples spoles vai stieples tuvumā.



Turiet rokas attālu no darbarīka smailes.



Ni-MH
Li-ion

Tikai ES valstīm
Neizmetiet elektroiekārtas vai akumulatoru mājsaimniecības atkritumos!
Saskaņā ar Eiropas direktīvu par elektrisko un elektronisko iekārtu atkritumiem, kā arī par baterijām un akumulatoriem, un bateriju un akumulatoru atkritumiem un to izstrādāšanu saskaņā ar valsts likumdošanu lietotais elektriskais aprīkojums, baterijas un akumulatori kalpošanas laika beigās jāsavāc atsevišķi un jānogādā otrreizējai pārstrādei vidi saudzejošā veidā.

Paredzētā lietošana

Darbarīks ir paredzēts stiegru apspiešanai.

Trokšņa līmenis

Tipiskais A svērtais trokšņa līmenis noteikts saskaņā ar EN60745-2-18 (EN12549):

Skaņas spiediena līmeni (L_{pA}): 78 dB (A)

Mainīgums (K): 3 dB (A)

Darbības laikā trokšņa līmenis var pārsniegt 80 dB (A).

PIEZĪME: Paziņotā trokšņa emisijas vērtība noteikta atbilstoši standarta pārbaudes metodei, un to var izmantot, lai salīdzinātu vienu darbarīku ar citu.

PIEZĪME: Paziņoto trokšņa emisijas vērtību arī var izmantot iedarbības sākotnējā novērtējumā.

▲BRĪDINĀJUMS: Lietojiet ausu aizsargus.

▲BRĪDINĀJUMS: Trokšņa emisija patiesos darba apstākļos var atšķirties no paziņotās vērtības atkarībā no darbarīka izmantošanas veida un jo īpaši atkarībā no apstrādājamā materiāla veida.

▲BRĪDINĀJUMS: Lai aizsargātu lietotāju, nosakiet drošības pasākumus, kas pamatoti ar iedarbību reālos darba apstākļos (ņemot vērā visus ekspluatācijas cikla posmus, piemēram, laiku, kamēr darbarīks ir izslēgts un kad darbojas tukšgaitā, kā arī palaides laiku).

Vibrācija

Vibrācijas kopējā vērtība (trīsasu vektora summa) noteikta atbilstoši EN60745-2-18 (ISO8662-11):
Darba režīms: Metāla stieņa apspiešana
Vibrācijas izmēte (a_{h1}): 2,5 m/s² vai mazāk
Mainīgums (K): 1,5 m/s²

PIEZĪME: Paziņotā kopējā vibrācijas vērtība noteikta atbilstoši standarta pārbaudes metodei, un to var izmantot, lai salīdzinātu vienu darbarīku ar citu.

PIEZĪME: Paziņoto kopējo vibrācijas vērtību arī var izmantot iedarbības sākotnējā novērtējumā.

▲BRĪDINĀJUMS: Vibrācijas emisija patiesos darba apstākļos var atšķirties no paziņotās vērtības atkarībā no darbarīka izmantošanas veida un jo īpaši atkarībā no apstrādājamā materiāla veida.

▲BRĪDINĀJUMS: Lai aizsargātu lietotāju, nosakiet drošības pasākumus, kas pamatoti ar iedarbību reālos darba apstākļos (ņemot vērā visus ekspluatācijas cikla posmus, piemēram, laiku, kamēr darbarīks ir izslēgts un kad darbojas tukšgaitā, kā arī palaides laiku).

EK atbilstības deklarācija

Tikai Eiropas valstīm

EK atbilstības deklarācija šajā lietošanas rokasgrāmatā ir iekļauta kā A pielikums.

DROŠĪBAS BRĪDINĀJUMI

Vispārīgi elektrisko darbarīku drošības brīdinājumi

▲BRĪDINĀJUMS: Izlasiet visus drošības brīdinājumus, instrukcijas, apskatiet ilustrācijas un tehniskos datus, kas iekļauti mehānizētā darbarīka komplektācijā. Ja netiek ievēroti visi tālāk minētie noteikumi, var tikt izraisīta elektrotrauma, notikt aizdegšanās un/vai rasties smagas traumas.

Glabājiet visus brīdinājumus un norādījumus, lai varētu tajos ieskatīties turpmāk.

Termins „elektrisks darbarīks” brīdinājumus attiecas uz tādu elektrisko darbarīku, ko darbina ar elektrību (ar vadu), vai tādu, ko darbina ar akumulatoru (bez vada).

Drošības brīdinājumi bezvada stiegru apsīšanas darbarīka lietošanai

1. **Nekādā gadījumā nevērsiet darbarīku pret citiem cilvēkiem. Raugiet, lai rokas vai kājas neatrastos darbarīka smalles tuvumā.** Ja darbarīks nejausi tiek darbināts laikā, kad tas kādam pieskaras, ir iespējams negaidīts negadījums.
2. **Neievietojiet stiepli darbarīkā, ja tas ir ieslēgts.** Pretējā gadījumā varat sapīties stieplē un savainoties.
3. **Neizmantojiet darbarīku, ja spoles pārsegs nav aizvērts.** Pretējā gadījumā stieples spole var izkrist un izraisīt negadījumu.
4. **Pirms darba uzsākšanas noteikti pārlicinieties par to, ka apšienamo stiegru diametrs atbilst darbarīka specifikācijai.**
5. **Valkājiet cieši piegulošu apģērbu ar šaurām piedurknēm. Raugiet, lai darba laikā ap kaklu nebūtu apfīts dvielis vai kas cits.** Pretējā gadījumā tas var iekerties rotējošās daļās un izraisīt negadījumu.
6. **Pirms sākt strādāt ar darbarīku pārbaudiet tālāk norādīto.**
 - Pārlicinieties, ka neviena detaļa nav bojāta.
 - Pārlicinieties, ka neviena skrūve nav vaļīga.
 - Pārlicinieties par to, ka drošības ierīces darbojas pareizi.
7. **Ja konstatējat kādas problēmas, nekavējoties pārtrauciet izmantot darbarīku. Nereмонтējiet darbarīku saviem spēkiem. Dodieties uz vietējo Makita servisa centru, lai veiktu remontu.** Ja darbarīks tiek darbināts nepilnīgā stāvoklī, ir iespējams negadījums.
8. **Uzstādot akumulatora kasetni, noteikti fiksējiet mēlīti un nelieciet pirkstu uz mēlītes.** Nepareiza darbība var izraisīt negadījumu.
9. **Apsienot stiegras, raugiet, lai tās netiktu izkus-tinātas.** Ja stiegras apsīšanas laikā izkustas, varat gūt savainojumus.
10. **Stieples apsīšanas laikā nepieskarieties stieplēm.** Pretējā gadījumā varat sapīties stieplē un savainoties.
11. **Stieples apsīšanas laikā raugiet, lai rokas neatrastos stieples apsīšanas vietas tuvumā.** Pretējā gadījumā varat sapīties stieplē un savainoties.
12. **Stieples apsīšanas laikā stingri turiet darbarīka rokturi.** Pretējā gadījumā var būt rāviens, pagriežot jūsu plaukstu locītavu vai pavelkot ķermeni un ir iespējams savainojums.
13. **Pāreijiet pie nākamā apsīšanas punkta tikai tad, kad pašreizējais stieples apsīšanas process ir pabeigts.** Pretējā gadījumā ir iespējami savainojumi.
14. **Stieples apsīšanas laikā pievērsiet uzmanību stieples galam.** Pretējā gadījumā stieple var aizskart jūsu roku un ir iespējams savainoties.
15. **Stieples apsīšanas laikā nepieskarieties kontaktplāksnei. Ja ir nepieciešams pieskarties kontaktplāksnei, vispirms fiksējiet mēlīti vai izslēdziet ieslēgšanas/izslēgšanas slēdzi un izņemiet akumulatora kasetni.** Pretējā gadījumā ir iespējami savainojumi.
16. **Kad stieples apsīšanas process ir pabeigts, velciet darbarīku vertikāli uz augšu.** Pretējā gadījumā roka var iekerties stiegrās un ir iespējami negadījumi.
17. **Uzmanieties, lai darbarīks nenokristu un nekur neatsistos. Ja darbarīks pirms izmantošanas saņem spēcīgu triecienu, pārlicinieties par to, ka darbarīks nav bojāts vai iekļūstis un ka drošības ierīces darbojas, kā paredzēts.** Pretējā gadījumā ir iespējams negadījums.
18. **Ja novērojat kādu no tālāk aprakstītajām situācijām, fiksējiet mēlīti, izslēdziet ieslēgšanas/izslēgšanas slēdzi un izņemiet no darbarīka akumulatora kasetni.** Ja darbarīks darbojas nepareizi, ir iespējams negadījums.
 - Ja uzreiz pēc akumulatora kasetnes uzstādīšanas ir dzirdams darbības troksnis.
 - Ja konstatējat pārkaršanu vai neparastas smakas vai trokšņus.
 - Ja veicat pasākumus, lai novērstu rādījumu kļūdu displejā. (Dodieties uz vietējo Makita servisa centru, lai veiktu remontu.)
 - Ievietojot un izņemot stieples spoli.
 - Ja darba laikā pārvietojaties, turot darbarīku rokā.
 - Ja neizmantojat darbarīku.
 - Ja pārbaudāt vai regulējat darbarīku.
 - Ja izņemat savītu stiepli.
19. **Ja strādājat uz sastatnēm, vienmēr stabilizējiet tās un strādājiet tādā pozīcijā, lai nezaudētu līdzsvaru.** Ja sastatnes nav stabilas, ir iespējams negadījums.
20. **Ja strādājat uz jumta vai līdzīgā vietā, darba laikā virzieties uz priekšu, lai vienmēr redzētu pārvietošanās vietu.** Ja darba laikā virzāties atpakaļ, tad ir iespējams zaudēt stabilu pamatni, un ir iespējams negadījums.
21. **Ja strādājat lielā augstumā, pārlicinieties, ka zem jums neviena nav, kā arī nodrošiniet, lai darba laikā nenokristu darbarīki.** Krītošs darbarīks var izraisīt negadījumu.
22. **Neizmantojiet darbarīku nekādu citu darbu veikšanai, izņemot apsīšanai ar stiepli.** Pretējā gadījumā ir iespējams negadījums.
23. **Vienmēr izmantojiet Makita oriģinālās stieples. Ja stieples ilgu laiku netiek izmantotas, tās var sarūsēt. Neizmantojiet sarūsējušas stieples.** Pretējā gadījumā ir iespējams negadījums.

24. Pēc apsiešanas pārbaudiet, vai stieple pār-mērīgas savīšanas dēļ nav pārrauta. Ja kāda no stieplēm ir pārrauta, apsiešanas izturība mazinās. Noregulējiet apsiešanas spēku un apsieniet stiegras vēlreiz.
25. Drošā veidā pielieciet sviru pie stiegrām. Ja tā nav droši novietota, starp stiegrām veidojas atstarpe, un apsiešanas spēks nav tik liels, kā nepieciešams.

Svarīgi drošības norādījumi par akumulatora kasetni

1. Pirms akumulatora lietošanas izlasiet visus norādījumus un brīdinājumus, kuri attiecas uz (1) akumulatora lādētāju, (2) akumulatoru un (3) ierīci, kurā tiek izmantots akumulators.
2. Akumulatora kasetni nedrīkst ne pārveidot, ne izjaukt. Citādi var tikt izraisīta aizdegšanās, pār-mērīgs karstums vai sprādziens.
3. Ja akumulatora darbības laiks kļūva ievērojami īsāks, nekavējoties pārtrauciet to izmantot. Citādi, tas var izraisīt pārkarsējumu, uzliesmojumu vai pat sprādzienu.
4. Ja elektrolīts nonāk acīs, izskalojiet tās ar tīru ūdens un nekavējoties griezieties pie ārsta. Tas var izraisīt redzes zaudēšanu.
5. Neradiet īssavienojumu akumulatora kasetnē:
 - (1) Nepieskarieties spaiļēm ar elektrību vadošiem materiāliem.
 - (2) Neuzglabājiet akumulatoru kasetni kopā ar citiem metāla priekšmetiem, tādiem kā naglas, monētas u. c.
 - (3) Nepakļaujiet akumulatora kasetni ūdens vai lietus iedarbībai.

Akumulatora īssavienojums var radīt spēcīgu strāvas plūsmu, pārkaršanu, uzliesmojumu un pat sabojāt akumulatoru.

6. Neglabājiet un neizmantojiet darbarīku un akumulatora kasetni vietās, kur temperatūra var sasniegt vai pārsniegt 50 °C (122 °F).
7. Nededziniet akumulatora kasetni, pat ja tā ir stipri bojāta vai pilnībā nolietota. Akumulatora kasetne ugunī var eksplodēt.
8. Akumulatora kasetni nedrīkst naglot, griezt, saspīst, mest vai nomet, kā arī pa to nedrīkst sist ar cietu priekšmetu. Šādas darbības var izraisīt aizdegšanos, pār-mērīgu karstumu vai sprādzienu.
9. Neizmantojiet bojātu akumulatoru.
10. Uz izmantotajiem litiņa jonu akumulatoriem attiecas likumdošanas prasības par bīstamiem izstrādājumiem.

Komerציālā transportēšanā, ko veic, piemēram, trešās puses, transporta uzņēmumi, jāievēro uz iesaiņojuma un marķējuma norādītās īpašās prasības.

Lai izstrādājumu sagatavotu nosūtīšanai, jāsažinās ar bīstamo materiālu speciālistu. Ievērojiet arī citus attiecināmos valsts normatīvus. Valējus kontaktus nosedziet ar līmlenti vai citādi pārklājiet, bet akumulatoru iesaiņojiet tā, lai sainītas nevarētu izkustēties.

11. Lai utilizētu akumulatora kasetni, izņemiet to no darbarīka un likvidējiet drošā vietā. Ievērojiet vietējos noteikumus par akumulatora likvidēšanu.
12. Izmantojiet šos akumulatorus tikai ar izstrādājumiem, kurus norādījis Makita. Ievietojot šos akumulatorus nesaderīgos izstrādājumos, var rasties ugunsgrēks, pār-mērīgs karstums, tie var uzsprāgt vai no tiem var iztecēt elektrolīts.
13. Ja darbarīks netiks lietots ilgu laiku, no tā jāizņem akumulators.
14. Lietošanas laikā vai pēc tās akumulatora kasetne var uzkrāt siltumu, kas var izraisīt apdegumus vai zemas temperatūras apdegumus. Ar karstu akumulatora kasetni apejieties rūpīgi.
15. Nepieskarieties darbarīka izvadam uzreiz pēc lietošanas, jo tas var būt sakarsis un izraisīt apdegumus.
16. Neļaujiet akumulatora kasetnes izvadā, atvērēs un rievās uzkrāties skaidām, putekļiem vai augsnei. Tādējādi darbarīks vai akumulatora kasetne var sākt darboties nekvalitatīvi vai tikt sabojāti.
17. Neizmantojiet akumulatora kasetni augstsprieguma līniju tuvumā, izņemot gadījumus, kad darbarīks ir piemērots lietošanai augstsprieguma līniju tuvumā. Citādi darbarīks vai akumulatora kasetne var sākt darboties nepareizi vai tikt sabojāti.
18. Glabājiet akumulatoru bērniem nepieejamā vietā.

SAGLABĀJIET ŠOS NORĀDĪJUMUS.

⚠UZMANĪBU: Lietojiet tikai oriģinālos Makita akumulatorus. Ja lietojat neoriģinālus Makita akumulatorus vai pārveidotus akumulatorus, tie var uzsprāgt un izraisīt aizdegšanos, traumas un materiālos zaudējumus. Tikas anulēta arī Makita darbarīka un lādētāja garantija.

Ieteikumi akumulatora kalpošanas laika pagarināšanai

1. Uzlādējiet akumulatora kasetni, pirms tā ir pilnībā izlādējusies. Vienmēr, kad ievērojat, ka darbarīka darba jauda zudusi, apturiet darbarīku un uzlādējiet akumulatora kasetni.
2. Nekad neuzlādējiet pilnībā uzlādētu akumulatora kasetni. Pār-mērīga uzlāde saīsina akumulatora kalpošanas laiku.
3. Uzlādējiet akumulatora kasetni istabas temperatūrā 10 °C - 40 °C. Karstai akumulatora kasetnei pirms uzlādes ļaujiet atdzist.
4. Kad akumulatora kasetne netiek izmantota, izņemiet to no darbarīka vai lādētāja.
5. Uzlādējiet litiņa jonu akumulatora kasetni, ja to ilgstoši nelietosiet (vairāk nekā sešus mēnešus).

FUNKCIJU APRAKSTS

⚠UZMANĪBU: Pirms darbarīka regulēšanas vai tā darbības pārbaudes vienmēr pārliecinieties, ka darbarīks ir izslēgts un akumulatora kasetne ir izņemta.

Akumulatora kasetnes uzstādīšana un izņemšana

⚠UZMANĪBU: Vienmēr pirms akumulatora kasetnes uzstādīšanas vai noņemšanas izslēdziet darbarīku.

⚠UZMANĪBU: Uzstādot vai izņemot akumulatora kasetni, darbarīku un akumulatora kasetni turiet cieši. Ja darbarīku un akumulatora kasetni netur cieši, tie var izkrist no rokām un radīt bojājumus darbarīkam un akumulatora kasetnei, kā arī izraisīt ievainojumus.

- **Att.1:** 1. Sarkanās krāsas indikators 2. Poga 3. Akumulatora kasetne

Lai izņemtu akumulatora kasetni, izvelciet to no darbarīka, pārbindot kasetnes priekšpusē esošo pogu.

Lai uzstādītu akumulatora kasetni, salāgojiet mēlīti uz akumulatora kasetnes ar rievu ietvarā un iebīdīet to vietā. Ievietojiet to līdz galam, līdz tā ar klikšķi nofiksējas. Ja pogas augšējā daļā redzams sarkanās krāsas indikators, tas nozīmē, ka tā nav pilnīgi fiksēta.

⚠UZMANĪBU: Vienmēr ievietojiet akumulatora kasetni tā, lai sarkanais indikators nebūtu redzams. Pretējā gadījumā tā var nejauši izkrist no darbarīka un izraisīt jums vai apkārtējiem traumas.

















⚠UZMANĪBU: Neievietojiet akumulatora kasetni ar spēku. Ja kasetne neslīd ietvarā viegli, tā nav pareizi ielikta.

Atlikušās akumulatora jaudas indikators

Tikai akumulatora kasetnēm ar indikatoru

- **Att.2:** 1. Indikatora lampas 2. Pārbaudes poga

Nospiediet akumulatora kasetnes pārbaudes pogu, lai pārbaudītu akumulatora atlikušo uzlādes līmeni. Indikatoru iedegsies uz dažām sekundēm.

Indikatora lampas			Atlikusī jauda
 Iedegsies	 Izslēgts	 Mirgo	
			No 75% līdz 100%
			No 50% līdz 75%
			No 25% līdz 50%
			No 0% līdz 25%
			Uzlādējiet akumulatoru.
 	 		Iespējama akumulatora kļūme.

PIEZĪME: Reālā jauda var nedaudz atšķirties no norādītās atkarībā no lietošanas apstākļiem un apkārtējās temperatūras.

PIEZĪME: Akumulatora aizsardzības sistēmas darbības laikā mirgo pirmais (kreisais malējais) indikators.

Darbarīka/akumulatora aizsardzības sistēma

Darbarīkam ir darbarīka/akumulatora aizsardzības sistēma. Šī sistēma automātiski izslēdz strāvas padevi motoram, lai pagarinātu darbarīka un akumulatora darbumūžu. Lietošanas laikā darbarīks automātiski pārstās darboties, ja darbarīku vai akumulatoru pakļaus kādam no šādiem apstākļiem.

Aizsardzība pret pārslodzi

Ja akumulatoram ekspluatācijas laikā nākas nodrošināt pārmērīgi augstu piedziņas jaudu, darbarīks automātiski pārtrauc darbību, un displejā tiek attēlots attiecīgās kļūdas numurs. Šādā gadījumā izslēdziet darbarīku un pārtrauciet darbību, kas izraisa darbarīka pārslodzi. Pēc tam ieslēdziet darbarīku, lai atsāktu darbu.

Aizsardzība pret pārkaršanu

Kad darbarīks vai akumulators ir pārkaris, darbarīks automātiski pārstāj darboties, un displejā tiek attēlots attiecīgās kļūdas numurs. Šādā gadījumā ļaujiet darbarīkam un akumulatoram atdzist un tikai tad atkal ieslēdziet darbarīku.

Aizsardzība pret akumulatora pārmērīgu izlādi

Kad akumulatora atlikusī jauda nav pietiekama, darbarīks automātiski pārstāj darboties, un displejā tiek attēlots attiecīgās kļūdas numurs. Šādā gadījumā izņemiet no darbarīka akumulatoru un uzlādējiet to.

Galvenais elektropadeves slēdzis

⚠UZMANĪBU: Ieslēdzot darbarīku, raugiet, lai jūsu ķermeņa locekļi vai seja nekādā gadījumā neatrastos apspiešanas daļu vai rotējošo daļu tuvumā darbarīka smailē. Pretējā gadījumā ir iespējami savainojumi.

⚠UZMANĪBU: Kad darbarīks ir ieslēgts, nekādā gadījumā nepieskarieties apspiešanas vai rotējošajām daļām darbarīka smailē. Pretējā gadījumā ir iespējami savainojumi.

⚠UZMANĪBU: Pirms akumulatora kasetnes ievietošanas noņemiet pirkstus no slēdža mēlītes un fiksējiet mēlīti. Ja akumulatora kasetne tiek ievietota, vienlaicīgi Pavelkot slēdža mēlīti, ir iespējams izraisīt negadījumu, ja negadīti notiek stieples apspiešanas process.

- **Att.3**

Nospiežot ieslēgšanas/izslēgšanas pogu, darbarīks ieslēdzas un iedegas apspiešanas režīma lampiņa. Lai darbarīks varētu neregulēt sākotnējo pozīciju, tas īsu brīdi darbojas. Kad regulēšana ir pabeigta, darbarīks automātiski pārstāj darboties. Vēlreiz nospiežot ieslēgšanas/izslēgšanas pogu, darbarīks izslēdzas un apspiešanas režīma lampiņa nodzīst.

- **Att.4:** 1. Apsiešanas režīma lampiņa 2. Ieslēgšanas/izslēgšanas poga

PIEZĪME: Darbarīkam ir automātiska izslēgšanas funkcija. Ja 10 minūtes netiek nospiesta slēdža mēlīte, darbarīks automātiski izslēdzas, lai akumulators neizlādētos.

PIEZĪME: Lai darbarīks atkal sāktu darboties, vēlreiz to ieslēdziet.

Darba režīmu pārslēgšanas poga

Kad darbarīks ir ieslēgts un apsiešanas režīma lampa deg, ar darba režīma pārslēgšanas pogu var izvēlēties vienas darbības režīmu vai nepārtrauktas darbības režīmu. Kad darbarīks atkal tiek ieslēgts, tas darbojas pēdējā izvēlētajā režīmā.

- **Att.5:** 1. Darba režīmu pārslēgšanas poga
2. Vienas darbības režīms 3. Nepārtrauktas darbības režīms

Slēdža darbība

▲BRĪDINĀJUMS: Pirms akumulatora kasetnes uzstādīšanas darbarīkā vienmēr pārbaudiet, vai slēdža mēlīte darbojas pareizi un pēc atlaišanas atgriežas stāvoklī „OFF” (Izslēgts).

▲UZMANĪBU: Kad darbarīku neizmantojat, nospiediet mēlītes bloķēšanas pogu  pusē, lai bloķētu slēdža mēlīti pozīcijā „OFF” (Izslēgts).

- **Att.6:** 1. Slēdža mēlīte 2. Mēlītes bloķēšanas poga

Lai aizsargātu no slēdža mēlītes nejaušas nospiešanas, darbarīkam ir mēlītes bloķēšanas poga. Lai ieslēgtu darbarīku, nospiediet bloķēšanas pogu „A” pusē un nospiediet slēdža mēlīti. Lai apturētu darbarīku, atlaidiet slēdža mēlīti. Pēc lietošanas mēlītes bloķēšanas pogu iespiediet no „B” puses.

Pavelkot slēdža mēlīti, darbarīks veic tālāk norādītās secīgās darbības un automātiski apstājas.

1. Tiek padota stieple.
2. Stieple tiek nogriezta.
3. Āķis notur un savērpj stiepli.
4. Āķis atgriežas sākotnējā pozīcijā.

Apsiešanas spēka iestatījums

▲UZMANĪBU: Pirms regulēšanas sākuma noteikti fiksējiet mēlīti. Ieslēdzot darbarīku, raugiet, lai jūsu ķermeņa locekļi vai seja nekādā gadījumā neatrastos apsiešanas daļu vai rotējošo daļu tuvumā darbarīka smailē. Pretējā gadījumā ir iespējami savainojumi.

- **Att.7**

Apsiešanas spēku var iestatīt, grozot apsiešanas spēka regulēšanas pogu. Apsiešanas spēks tiek attēlots displejā.

- **Att.8:** 1. Apsiešanas spēka regulēšanas poga
2. Displejs

Ja stieple tiek pārrauta, apsiešanas spēks mazinās. Pēc apsiešanas pārbaudiet savito stieples daļu, vai tur nav stieples lūzumu.

Ja stieple ir pārrauta, pielāgojiet apsiešanas spēku, izmantojot apsiešanas spēka regulēšanas pogu, un vēlreiz apsieņiet stiepras.

Paziņojums par atlikušo akumulatora uzlādes līmeni

Ja akumulatora uzlādes līmenis ir zemāks par nepieciešamo līmeni, darbarīks pārstāj darboties, atskan kļūdas signāls un displejā tiek attēlots skaitlis “4”. Kļūdas signāls skanēs tik ilgi, līdz darbarīks tiek izslēgts.

PIEZĪME: Ja ir ļoti zema apkārtējā temperatūra, iespējams, ka kļūdas signāls atskanēs arī gadījumos, ja akumulatora uzlādes līmenis ir pietiekams.

MONTĀŽA

▲UZMANĪBU: Pirms darbarīka regulēšanas vai apkopes vienmēr pārlicinieties, ka darbarīks ir izslēgts un akumulatora kasetne ir izņemta.

Apsiešanas stieples ievietošana (stieples spole)

▲UZMANĪBU: Pirms apsiešanas stieplu un piederumu uzstādīšanas vai noņemšanas noteikti izslēdziet darbarīku, fiksējiet mēlīti un izņemiet akumulatora kasetni. Neievērojot šo norādījumu, ir iespējams izraisīt negadījumu.

IEVĒRĪBAI: Ja tiek izmantotas stieples, kas nav Makita oriģinālās apsiešanas stieples, ir iespējama darbarīka atteice.

1. Nospiediet atlaišanas sviru un fiksējiet to ar bloķēšanas sviru.

- **Att.9:** 1. Atlaišanas svira 2. Bloķēšanas svira

Nospiežot atlaišanas sviru, starp kreisās un labās puses padeves zobratiem veidojas atstarpe.

- **Att.10:** 1. Atlaišanas svira 2. Bloķēšanas svira
3. Padeves zobrati

2. Atveriet spoles pārsegu.

- **Att.11:** 1. Spoles pārsegs

3. Ievietojiet stieples spoli darbarīkā tādā virzienā, kā redzams attēlā.

- **Att.12:** 1. Stieples spole

IEVĒRĪBAI: Stieples spole noteikti jāuzstāda tādā virzienā, kā tas redzams attēlā. Ja tā tiek uzstādīta otrādi, stieple notīsies un var sapīties.

4. Atāķējiet stieples galu no spoles āķa.

- **Att.13:** 1. Āķis

5. Iztaisnojiet stieples galu un izveriet stiepli cauri vadotnei.

- **Att.14:** 1. Vadotne

PIEZĪME: Ja stieples gals, verot cauri vadotnei, salokās, stieple darbarīkā var iekļerties.

PIEZĪME: Ja mēģināsiet ar spēku ievadīt stiepli cauri vadotnei, stieple var iekļerties.

6. Izvelciet stiepli aptuveni 10 mm garumā no sviras gala.

- **Att.15:** 1. Svira 2. Aptuveni 10 mm

IEVĒRĪBAI: Ja izvilktās stieples garums ir nepietiekams, stieple apsiešanas laikā var tikt norauta, vai arī nepietiekama apsiešanas reižu skaita dēļ aptīšanas stiprums var būt nepietiekams.

7. Attiniet stiepli atpakaļ, lai tā nebūtu vaļīga.

► **Att.16**

8. Atlaidiet bloķēšanas sviru. Atlaišanas svira atgriežas savā vietā, un labās un kreisās puses zobrats notur stiepli.

► **Att.17:** 1. Atlaišanas svira 2. Bloķēšanas svira

► **Att.18:** 1. Zobrats 2. Stieples ceļš 3. Stieple

IEVĒRĪBAI: Kad bloķēšanas svira tiek atlaista un kreisās un labās puses zobrati savstarpēji savietojas, rievas zobratos veido telpu. Šī vieta kļūst par stieples ceļu. Pārliecinieties, ka stieple virzās pa šo ceļu.

9. Aizveriet spoles pārsegu.

► **Att.19:** 1. Spoles pārsegs

EKSPLUATĀCIJA

Pārbaude pirms darba

UZMANĪBU: Ja darbarīkam ir kāda ar drošības mehānismu saistīta problēma, neizmantojiet darbarīku. Ja turpināsiet izmantot darbarīku, ir iespējams negadījums.

Pirms darbarīka izmantošanas pārliecinieties par to, ka drošības mehānisms darbojas pareizi. Ja darbarīks darbojas un nenostādā drošības mehānisms, nekavējoties pārtrauciet izmantot darbarīku. Dodieties uz vietējo Makita servisa centru, lai veiktu remontu.

Mēlītes fiksatora pārbaude

Darbarīkam ir mēlītes fiksators, lai darbarīks nevarētu darboties, ja neesat paredzējis to izmantot. Fiksējiet mēlīti un pārliecinieties par to, ka slēdža mēlīti nevar pavilkt.

Liektās vadotnes pārbaude

Lai lietotājs neauši nepieskartos apsiešanas vai rotējošajām daļām darbarīka smailē, darbarīks nedarbosies pat ar pavilktu slēdža mēlīti, ja būs atvērta liektā vadotne. Kad lietotājs atlaiž pirkstu no slēdža mēlītes un aizver liekto vadotni, darbarīks var darboties.

► **Att.20:** 1. Liektā vadotne

Pārbaude, vai darbarīks konstatē atvērtu/aizvērtu liekto vadotni

Iznemiet stiepli, pārbaudiet darbarīka funkcijas, veicot tālāk norādītās darbības, un pārliecinieties, ka darbarīks nevar sākt darboties, ja liektā vadotne ir atvērta.

1. Izslēdziet darbarīku un atstājiet liekto vadotni atvērtu.

2. Izslēdziet darbarīku.

Ja darbarīks nedarbojas un displejā tiek attēlots skaitlis "2", darbarīka stāvoklis ir atbilstošs. Izslēdziet darbarīku un aizveriet liekto vadotni.

Ja darbarīks darbojas un displejā netiek attēlota nekāda kļūda, darbarīka stāvoklis ir neatbilstošs. Nekavējoties pārtrauciet darbarīka lietošanu un lūdziet vietējo Makita servisa centru veikt remontu.

UZMANĪBU: Ja atverat liekto vadotni un ieslēdzat darbarīku, lai pārbaudītu bloķēšanos, turiet liekto vadotni tā, kā redzams attēlā. Raugiet, lai jūsu ķermeņa locekļi vai seja nekādā gadījumā neatrastos apsiešanas daļu vai rotējošo daļu tuvumā darbarīka smailē. Pretējā gadījumā ir iespējami savainojumi.

► **Att.21**

Apsiešanas darbs

UZMANĪBU: Pirms akumulatora kasetnes ievietošanas noņemiet pirkstus no slēdža mēlītes un fiksējiet mēlīti. Ja akumulatora kasetne tiek ievietota, vienlaicīgi pavilkt slēdža mēlīti, ir iespējams izraisīt negadījumu, ja negaidīti notiek stieples apsiešanas process.

UZMANĪBU: Ieslēdzot darbarīku, raugiet, lai jūsu ķermeņa locekļi vai seja nekādā gadījumā neatrastos apsiešanas daļu vai rotējošo daļu tuvumā darbarīka smailē. Pretējā gadījumā ir iespējami savainojumi.

UZMANĪBU: Kad darbarīks ir ieslēgts, nekādā gadījumā nepieskarities apsiešanas vai rotējošajām daļām darbarīka smailē. Pretējā gadījumā ir iespējami savainojumi.

► **Att.22**

Sagatavošana pirms darba

1. Noteikti izņemiet akumulatora kasetni un fiksējiet mēlīti.

2. Ievietojiet akumulatora kasetni darbarīkā un ieslēdziet darbarīku. Ieslēdzot darbarīku, stieple automātiski tiek nogriezta.

IEVĒRĪBAI: Pārliecinieties par to, ka pēc darbarīka ieslēgšanas iedegas apsiešanas režīma lampa. Ja lampa neiedegas, uzlādējiet akumulatoru.

3. Atbrīvojiet bloķēto mēlīti.

► **Att.23:** 1. Mēlītes bloķēšanas poga 2. Slēdža mēlīte 3. Ieslēgšanas/izslēgšanas poga 4. Apsiešanas režīma lampa

Vienas darbības režīms

1. Cieši piespiediet sviru apsiešanas vietai. Vertikāli spiediet darbarīku pie stiegrām un spiediet sviru pie vietas, kur stiegras krustojas 45° leņķī.

► **Att.24**

2. Vienu reizi pavilciet slēdža mēlīti.

3. Stieples padeve un nogriešana notiek automātiski.

4. Āķis notur un savērpj stiepli un pēc tam, kad stieple ir apsīta, atgriežas sākotnējā pozīcijā.

► **Att.25**

5. Pēc apsiešanas uzmanieties, lai svira neaizķertos aiz stiegrām, un velciet darbarīku uz augšu.

⚠UZMANĪBU: Ja stieple ir palikusi pie darbarīka smailēs savīšanas daļas, izslēdziet darbarīku. Nofiksējiet mēlīti, izņemiet akumulatora kasetni un nogrieziet stiepli, izmantojot instrumentu, piemēram, asknaibles vai knaibles.

► Att.26

Nepārtrauktas darbības režīms

1. Ar režīmu pārslēgšanas pogu pārslēdziet darba režīmu no vienas darbības režīma uz nepārtrauktās darbības režīmu.

► Att.27: 1. Darba režīmu pārslēgšanas poga

2. Atbrīvojiet bloķēto mēlīti.

3. Veikot slēdža mēlīti, vertikāli spiediet darbarīku pie stiegrām un spiediet sviru pie vietas, kur stiegras krustojas 45° leņķī. Cieši spiediet kontaktplāksni pie apsiešanas vietas. Stieple tiks apsieta.

► Att.28: 1. Kontaktplāksne

4. Pēc apsiešanas uzmanieties, lai svira neaizķertos aiz stiegrām, un velciet darbarīku uz augšu.

► Att.29

Piesardzības norādījumi darba laikā

- Noņemot sviru no apsiešanas pozīcijas stieples apsiešanas laikā, stieple iestrēgs uz āķa, un tāpēc apsiešana būs veikta nepareizi.
- Turpiniet spiest darbarīku pie stiegrām, līdz stieples apsiešanas process ir pabeigts.
- Pārejiet pie nākamā apsiešanas punkta tikai tad, kad pašreizējais stieples apsiešanas process ir pabeigts.
- Darbarīka smailēs rotējošā daļa (āķis) stieples apsiešanas laikā savērpj stiepli. Stingri satveriet rokturi, lai darbarīka rāviens nevarētu izkustināt jūsu ķermeni.
- Stieples apsiešanas laikā nepieskarieties stieplēm.
- Ja atkārtosiet stieples apsiešanas procesus vienas darbības darba režīmā, pilnībā noņemiet savu pirkstu no slēdža mēlītes. Turpiniet darbināt slēdža mēlīti.
- Ja pavelkat slēdža mēlīti, bet darbarīkā vairs nav stieples, tiek attēlota kļūda. Ievietojiet jaunu apsiešanas stiepli un restartējiet darbarīku.

Padomi par apsiešanu

- Sasveriet darbarīku 45° leņķī attiecībā pret sakrustotajām stiegrām un apsieniet pārmaiņus dažādos virzienos, kā redzams attēlā.

► Att.30

- Izvairieties no nelīdzzenām stiegru vietām.

► Att.31

- Ja apsiešanas spēks ir nepietiekams, izmainiet apsiešanas virzienu un apsieniet divas reizes, tādējādi palielinot apsiešanas spēku.

► Att.32

IEVĒRĪBAI: Ja apsienat otru reizi, pirms otrās apsiešanas nolokiet pirmā apsejuma cilpu. Pretējā gadījumā stieple var tikt savērpta otru reizi. Tā var iekļerties darbarīka smailē un sabojāt āķi.

Apsiešanas stieplju nomaīņa

⚠UZMANĪBU: Nomainot apsiešanas stiepli, noteikti izslēdziet darbarīku, fiksējiet mēlīti un izņemiet akumulatora kasetni. Neievērojot šo norādījumu, ir iespējams izraisīt negadījumu.

1. Kad visa stieple ir izmantota, atskanēs kļūdas signāls un tiks attēlota kļūda "1".

2. Fiksējiet mēlīti, izslēdziet darbarīku un izņemiet akumulatora kasetni.

3. Nospiediet atlaišanas sviru un fiksējiet to ar bloķēšanas sviru.

► Att.33: 1. Atlaišanas svira 2. Bloķēšanas svira

4. Izņemiet no darbarīka stieples spoli.

PIEZĪME: Ja stieple ir izmantota normālos apstākļos, uz spoles paliek vēl aptuveni 20 cm stieples. Šādā gadījumā nomainiet stieples spoli, ievietojot jaunu.

Ja ir grūti izņemt stieples spoli no darbarīka, veiciet tālāk norādītās darbības.

1. Ievietojiet akumulatora kasetni darbarīkā un ieslēdziet darbarīku. Darbarīks veic stieples padevi un nogriešanu automātiski.

2. Fiksējiet mēlīti, izslēdziet darbarīku un izņemiet akumulatora kasetni.

3. Noņemiet pārrautās stieples ar asknaiblēm vai knaiblēm.

APKOPE

⚠UZMANĪBU: Pirms darbarīka pārbaudes vai apkopes vienmēr pārliecinieties, ka darbarīks ir izslēgts un akumulatora kasetne ir izņemta.

IEVĒRĪBAI: Nekad neizmantojiet gazoļīnu, benzīnu, atšķaidītāju, spirtu vai līdzīgus šķidrums. Tas var radīt izbalēšanu, deformāciju vai plaisas.

Lai saglabātu izstrādājuma DROŠU un UZTICAMU darbību, remontdarbus, apkopi un regulēšanu uzticiet veikt tikai Makita pilnvarotam vai rūpnīcas apkopes centram, un vienmēr izmantojiet tikai Makita rezerves daļas.

Griezēja nodalījuma tīrīšana

Kad darbarīks kādu laiku ir izmantots, griezēja nodalījumā var būt sakrājušies putekļi un stieples daļiņas. Šādos gadījumos iztīriet griezēja nodalījumu, veicot tālāk norādītās darbības. Tīrīšana veicama katru reizi, kad tiek izlietota spoļu kaste (50 gab.)

Stieplju sukas lietošana

1. Atveriet spoles pārsegu.

► Att.34: 1. Spoles pārsegs

2. Nospiediet atlaišanas sviru un fiksējiet to ar bloķēšanas sviru.

► Att.35: 1. Atlaišanas svira 2. Bloķēšanas svira

3. Virziet stieplju suku caur vadotni.

Ievietojot stieplju suku, satveriet to pie paša roktura un lēnām virziet to vadotnē.

► Att.36: 1. Stieplju suku

► Att.37: 1. Zobrats 2. Vadotne 3. Stieplju suka

4. Spiediet stieplu suku, līdz tā izvirzās aptuveni 10 mm no sviras gala. Tad izvelciet stieplu suku. Šo darbību pietiek izpildīt vienu reizi.

► **Att.38:** 1. Svira 2. Stieplu suka

5. Aizveriet spoles pārsegu.

► **Att.39:** 1. Spoles pārsegs

Gaisa pūtēja izmantošana

Atveriet spoles pārsegu, nospiediet atlaišanas sviru un fiksējiet to ar bloķēšanas sviru. Tad pietuviniet gaisa pūtēju vadotnei un pūtiēt gaisu. Raugieties, lai gaiss tiktu izvadīts no sviras gala.

► **Att.40:** 1. Gaisa pūtējs 2. Vadotne

Tīrīšana ar izjaukšanu

Ja griešanas nodalījums ir aizsērējis vai tajā ir iekšēru-sies stieple, izjauciet detaļas un notīriet tās.

Izjaukšana un tīrīšana

1. Atskrūvējiet valīgāk skrūves A un B, izmantojot sešstūru uzgriežņu atslēgu, kas ir ietverta instrumentu komplektā.

► **Att.41:** 1. Sešstūru atslēga

► **Att.42:** 1. Skrūve A 2. Skrūve B 3. Kontaktplāksnes pārsegs 4. Stieples vadotne B

IEVĒRĪBA! Ja kādu no skrūvēm neizdodas izskrūvēt ar sešstūru uzgriežņu atslēgu, neskrūvējiet tās ar spēku.

2. Pavelciet kontaktplāksnes pārsegu uz augšu bultas virzienā un noņemiet to. Vienlaicīgi tiks izņemta arī skrūve B.

► **Att.43:** 1. Kontaktplāksnes pārsegs 2. Skrūve B

3. Izskrūvējiet skrūvi A un noņemiet stieples vadotni B.

► **Att.44:** 1. Skrūve A 2. Stieples vadotne B

4. Apgrieziet stieples vadotni B otrādi un iztīriet tās iekšpusi.

► **Att.45**

5. Noņemiet griezēju A, griezēju B, augšējo plāksni un savienojuma sviru A no sviras plāksnes A. Notīriet detaļas.

► **Att.46:** 1. Griezējs B 2. Savienojuma svira A
3. Griezējs A 4. Sviras plāksne A 5. Augšējā plāksne

Salikšana

Kad tīrīšana ir pabeigta, salieciet daļas, veicot tālāk norādītās darbības.

1. Uzstādiet griezēju A un savienojuma sviru A atbilstoši sviras plāksnes A formai.

► **Att.47:** 1. Griezējs A 2. Savienojuma svira A
3. Sviras plāksne A

2. Uzstādiet griezēju B un augšējo plāksni uz sviras plāksnes A. (Uzstādiet griezēju B uz griezēja A un savienojuma sviras A.)

► **Att.48:** 1. Griezējs B 2. Augšējā plāksne 3. Sviras plāksne A 4. Griezējs A 5. Savienojuma svira A

IEVĒRĪBA! Novietojiet griezēja B izvīrījumu uz leju un ievietojiet griezēju, kā redzams attēlā.

3. Savietojiet darbarīka cauruli ar rievu stieples vadotnes B iekšpusē un salieciet tās kopā.

► **Att.49:** 1. Caurule 2. Rieva 3. Stieples vadotne B

4. Nostipriniet stieples vadotni B, nedaudz pievelkot skrūvi A.

► **Att.50:** 1. Skrūve A 2. Stieples vadotne B

5. Uzstādiet kontaktplāksnes pārsegu bultas virzienā.

► **Att.51:** 1. Kontaktplāksnes pārsegs

6. Stingri nostipriniet stieples vadotni B un kontaktplāksnes pārsegu, pievelkot skrūvi A un skrūvi B.

► **Att.52:** 1. Stieples vadotne B 2. Kontaktplāksnes pārsegs 3. Skrūve A 4. Skrūve B

7. Pēc salikšanas pārbaudiet, vai kontaktplāksne var kustēties, kā redzams attēlā.

► **Att.53:** 1. Kontaktplāksne

PIEZĪME: Ja kontaktplāksne iekeras, nospiediet to, kā redzams attēlā.

► **Att.54**

Kļūdu attēlojums displejā un kļūdas signāls

⚠UZMANĪBU: Pārbaudes laikā noteikti fiksējiet mēlīti, izslēdziet darbarīku un izņemiet akumulatora kasetni. Neievērojot šo norādījumu, ir iespējams izraisīt negadījumu.

⚠UZMANĪBU: Ieslēdzot darbarīku, raugiet, lai jūsu ķermeņa locekļi vai seja nekādā gadījumā neatrastos apspiešanas daļu vai rotējošo daļu tuvumā darbarīka smailē. Pretējā gadījumā ir iespējami savainojumi.

⚠UZMANĪBU: Kad darbarīks ir ieslēgts, nekādā gadījumā nepieskarities apspiešanas vai rotējošajām daļām darbarīka smailē. Pretējā gadījumā ir iespējami savainojumi.

⚠UZMANĪBU: Ja atskan kļūdas signāls vai notiek darbarīka darbības traucējums, nekavējoties pārtrauciet izmantot darbarīku.

Kļūdas signāls un attēlojums displejā

Ja rodas kļūda, atskan kļūdas signāls un displejā tiek attēlots kļūdas numurs. Skatiet tabulu tālāk un veiciet nepieciešamās darbības. Ja problēmu neizdodas novērst, lūdziet veikt remontu Makita pilnvarotā servisa centrā.

Attēlojums displejā	Pazīme	Iespējamais cēlonis	Risinājums
1	Darbarīks pārstāj darboties.	Visa stieple ir izlietota.	Ievietojiet jaunu apspiešanas stiepli.
		Stieple nav ievietota.	Ievietojiet stiepli.
		Stieple netika padota.	Pārbaudiet apspiešanas stieples virzienu. Izņemiet apspiešanas stiepli un atkal to ievietojiet. Izīriet stieples ceļu.
2	Darbarīks pārstāj darboties.	Liektā vadotne ir atvērta.	Aizveriet liekto vadotni.
3	Darbarīks neveic apspiešanas procesu nepārtrauktās darbības režīmā.	Kontaktplāksne ir ieķērusies.	Atbrīvojiet ieķērušos kontaktplāksni.
4	Darbarīks neieslēdzas. Darbarīks pārstāj darboties.	Akumulators ir izlādējies. Akumulatora kasetnes temperatūra ir neparasti augsta.	Uzlādējiet akumulatoru. Atdzesējiet akumulatora kasetni. Nomainiet akumulatora kasetni ar uzlādētu kasetni.
5	Darbarīks pārstāj darboties.	Motors ir pārslogots. Motora atteice	Nosakiet, kas kavē motora rotāciju, un atrisiniet problēmu.
6	Darbarīks pārstāj darboties.	Darbarīka temperatūra ir neparasti augsta.	Atdzesējiet darbarīku.
7	Darbarīks neieslēdzas. Darbarīks pārstāj darboties.	Darbarīka atteice	Lūdziet pilnvarotā apkopes centrā veikt remontu.

PAPILDU PIEDERUMI

⚠UZMANĪBU: Šādi piederumi un papildierīces tiek ieteiktas lietošanai ar šajā rokasgrāmatā aprakstīto Makita darbarīku. Izmantojot citus piederumus vai papildierīces, var tikt radīta trauma gūšanas bistamība. Piederumu vai papildierīci izmantojiet tikai paredzētajam mērķim.

Ja jums vajadzīga palīdzība vai precīzāka informācija par šiem piederumiem, vērsieties savā tuvākajā Makita apkopes centrā.

- Apspiešanas stieple
- Stieplu suka
- Pagarinājuma rokturis
- Makita oriģinālais akumulators un lādētājs

PIEZĪME: Daži sarakstā norādītie izstrādājumi var būt iekļauti instrumenta komplektācijā kā standarta piederumi. Tie dažādās valstīs var būt atšķirīgi.

SPECIFIKACIJOS

Modelis:		DTR180
Surišimo viela (pasirenkamasis priedas)		ø0,8 mm
Galimų surišti armatūros strypų skersmuo		Nuo #3 x #3 iki (#4 x 2) x (#4 x 2) Nuo 10 mm x 10 mm iki (13 mm x 2) x (13 mm x 2)
Apytikslis surišimų skaičius ritėje	Geležinės rišimo vielos atkaitinimas	Maždaug 120 surišimų
	Galvanizuota rišimo viela	Maždaug 120 surišimų
	Poliesteriu padengta rišimo viela	Maždaug 105 surišimų
Bendras ilgis		304 mm
Vardinė įtampa		Nuol. sr. 14,4/18 V
Grynasis svoris		2,3 - 2,6kg

- Atliekame tęstinius tyrimus ir nuolat tobuliname savo gaminius, todėl čia pateikiamos specifikacijos gali būti keičiamos be įspėjimo.
- Įvairiose šalyse specifikacijos ir akumulatoriaus kasetė gali skirtis.
- Svoris gali priklausyti nuo priedo (-ų), įskaitant akumulatoriaus kasetę. Lengviausias ir sunkiausias deriniai pagal EPTA 2014 m. sausio mėn. procedūrą yra parodyti lentelėje.

Tinkama akumulatoriaus kasetė ir (arba) įkroviklis

Akumulatoriaus kasetė	Nuol. sr. 14,4 V modelis	BL1415N / BL1430B / BL1440 / BL1460B
	Nuol. sr. 18 V modelis	BL1815N / BL1820B / BL1830B / BL1840B / BL1850B / BL1860B
Įkroviklis	DC18RC / DC18RD / DC18RE / DC18SD / DC18SE / DC18SF / DC18SH	

- Atsižvelgiant į gyvenamosios vietos regioną, kai kurios pirmiau nurodytos akumulatoriaus kasetės ir įkrovikliai gali būti neprieinami.

⚠️ISPĖJIMAS: Naudokite tik akumulatoriaus kasetes ir įkroviklius, kurie nurodyti anksčiau. Naudojant bet kurias kitas akumulatoriaus kasetes ir įkroviklius, gali kilti sužeidimo ir gaisro pavojus.

Galimų surišti armatūros strypų derinys

2 armatūros strypų derinys

	#3 (10 mm)	#4 (13 mm)	#5 (16 mm)
#3 (10 mm)	✓	✓	✓
#4 (13 mm)	✓	✓	✓
#5 (16 mm)	✓	✓	✓

3 armatūros strypų derinys

	#3 x #3 (10 mm x 10 mm)	#4 x #4 (13 mm x 13 mm)
#3 (10 mm)	✓	✓
#4 (13 mm)	✓	✓
#5 (16 mm)	✓	-

4 armatūros strypų derinys

	#3 x #3 (10 mm x 10 mm)	#4 x #4 (13 mm x 13 mm)
#3 x #3 (10 mm x 10 mm)	✓	✓
#4 x #4 (13 mm x 13 mm)	✓	✓

PASTABA: Jei tarp armatūros strypų yra tarpas arba įrankis naudojamas jį netinkamai pakreipus, armatūros strypų gali nepavykti surišti.

Simboliai

Toliau yra nurodyti simboliai, kurie gali būti naudojami įrangai. Prieš naudodami įsitikinkite, kad suprantate jų reikšmę.



Perskaitykite instrukcijų vadovą.



Užsidėkite apsauginius akinius.



Saugokite įrankį nuo lietaus.



Naudodami įrankį, laikykite rankas atokiau nuo vielos ritės arba vielos.



Rankas laikykite atokiau nuo įrankio antgaliu.



Taikoma tik ES šalims
Neišmeskite elektros įrangos arba akumuliatoriaus bloko į buitinius šiukšlynus!
Atsižvelgiant į ES direktyvas dėl elektros ir elektroninės įrangos atliekų, dėl baterijų ir akumuliatorių bei baterijų ir akumuliatorių atliekų ir šių direktyvų siekių įgyvendinimą pagal nacionalinius įstatymus, elektros įrangos ir baterijų bei akumuliatorių atliekas būtina surinkti atskirai nuo kitų buitinių atliekų ir atiduoti į antrinių žaliavų perdirbimo aplinkai nekenksmingu būdu punktą.

Numatytoji naudojimo paskirtis

Šis įrankis skirtas armatūros strypams rišti.

Triukšmas

Įprastas triukšmo A lygis, nustatytas pagal EN60745-2-18 (EN12549):

Garso slėgio lygis (L_{pA}): 78 dB (A)

Paklaida (K): 3 dB (A)

Dirbant triukšmo lygis gali viršyti 80 dB (A).

PASTABA: Paskelbta (-os) triukšmo reikšmė (-ės) nustatyta (-os) pagal standartinį testavimo metodą ir jį galima naudoti vienam įrankiui palyginti su kitu.

PASTABA: Paskelbta (-os) triukšmo reikšmė (-ės) taip pat gali būti naudojama (-os) norint preliminariai įvertinti triukšmo poveikį.

ĮSPĖJIMAS: Dėvėkite ausų apsaugą.

ĮSPĖJIMAS: Faktiškai naudojant elektrinį įrankį, keliamos triukšmo dydis gali skirtis nuo paskelbtos (-ų) reikšmės (-ių), priklausomai nuo būdų, kuriais yra naudojamas šis įrankis, ir ypač nuo to, kokio tipo ruošinys apdirbamas.

ĮSPĖJIMAS: Siekdami apsaugoti operatorių, būtina įvertinkite saugos priemones, remdamiesi vibracijos poveikio įvertinimu esant faktinėms naudojimo sąlygoms (atsižvelgdami į visas darbo ciklo dalis, pavyzdžiui, ne tik kiek laiko įrankis veikia, bet ir kiek kartų jis yra išjungiamas bei kai jis veikia be apkravų).

Vibracija

Vibracijos bendroji vertė (triatiesio vektorius suma) nustatyta pagal EN60745-2-18 (ISO8662-11) standartą: Darbo režimas: metalinio strypo rišimas
Vibracijos emisija ($a_{h,v}$): 2,5 m/s² arba mažiau
Paklaida (K): 1,5 m/s²

PASTABA: Paskelbta (-os) vibracijos bendroji (-osios) reikšmė (-ės) nustatyta (-os) pagal standartinį testavimo metodą ir jį galima naudoti vienam įrankiui palyginti su kitu.

PASTABA: Paskelbta (-os) vibracijos bendroji (-osios) reikšmė (-ės) taip pat gali būti naudojama (-os) norint preliminariai įvertinti vibracijos poveikį.

ĮSPĖJIMAS: Faktiškai naudojant elektrinį įrankį, keliamos vibracijos dydis gali skirtis nuo paskelbtos (-ų) reikšmės (-ių), priklausomai nuo būdų, kuriais yra naudojamas šis įrankis, ir ypač nuo to, kokio tipo ruošinys apdirbamas.

ĮSPĖJIMAS: Siekdami apsaugoti operatorių, būtina įvertinkite saugos priemones, remdamiesi vibracijos poveikio įvertinimu esant faktinėms naudojimo sąlygoms (atsižvelgdami į visas darbo ciklo dalis, pavyzdžiui, ne tik kiek laiko įrankis veikia, bet ir kiek kartų jis yra išjungiamas bei kai jis veikia be apkravų).

EB atitikties deklaracija

Tik Europos šalims

EB atitikties deklaracija yra pridedama kaip šio instrukcijų vadovo A priedas.

SAUGOS ĮSPĖJIMAI

Bendrieji įspėjimai dirbant elektriniais įrankiais

▲ ĮSPĖJIMAS: Perskaitykite visus saugos įspėjimus, instrukcijas, iliustracijas ir techninius duomenis, pateiktus kartu su šiuo elektriniu įrankiu. Nesilaikant visų toliau išvardytų instrukcijų galima patirti elektros smūgi, gali kilti gaisras ir (arba) galima sunkiai susižaloti.

Išsaugokite visus įspėjimus ir instrukcijas, kad galėtumėte jas peržiūrėti ateityje.

Terminas „elektrinis įrankis“ pateiktuose įspėjimuose reiškia į maitinimo tinklą jungiamą (laidinį) elektrinį įrankį arba akumulatoriaus maitinamą (belaidį) elektrinį įrankį.

Saugos įspėjimai dėl belaidžio armatūros strypų rišimo įrankio

1. Niekada nenukreipkite įrankio į kitą asmenį. Niekada nedėkite rankų ar pėdų arti įrankio antgalio. Jei atsitiktinai jungtumėte įrankį ir jam ką nors palietus, gali įvykti netikėtas nelaimingas atsitikimas.
2. Neįstatinėkite vielos, kol jungtas įrankio maitinimas. Antraip galite užkliūti už vielos ir susižaloti.
3. Nenaudokite įrankio, neuždarę ritės dangtelio. Antraip vielos ritė gali atsikabinti ir sukelti nelaimingą atsitikimą.
4. Prieš pradėdami darbą būtina patikrinkite, ar norimų surišti armatūros strypų skersmuo atitinka įrankio pajėgumą.
5. Dėvėkite prigludančius drabužius siauromis rankovėmis. Nedirbkite aplink kaklą apsvynioje rankšluostų ar kitą daiktą. Antraip jis gali įstrigti besisukančioje dalyje ir sukelti nelaimingą atsitikimą.
6. Prieš naudodami įrankį būtina patikrinkite šiuos punktus.
 - Patikrinkite, ar nėra pažeistų dalių.
 - Patikrinkite, ar nėra atsilaisvinsiu varžtų.
 - Patikrinkite, ar visi saugos įtaisai veikia normaliai.
7. Pastebėję neįprastą būseną, nedelsdami baikite naudojimąsi įrankiu. Nėremontuokite įrankio patys. Dėl remonto kreipkitės į vietinį „Makita“ techninės priežiūros centrą. Įrankį naudojant ne su visomis jo dalimis, gali įvykti nelaimingas atsitikimas.
8. Įdėdami akumulatoriaus kasetę, būtina užfiksuokite gaiduką ir nedėkite piršto ant gaiduko. Dėl netinkamai atliktos procedūros gali įvykti nelaimingas atsitikimas.
9. Armatūros strypus riškite atsargiai, kad jų nepajudintumėte. Jei rišant armatūros strypai judės, galite būti sužaloti.
10. Rišdami vielą nelieskite vielų. Antraip galite užkliūti už vielos ir susižaloti.
11. Rišdami vielą nedėkite rankų netoli rišimo taško. Antraip galite užkliūti už vielos ir susižaloti.
12. Rišdami vielą tvirtai laikykite įrankio rankena. Antraip riešas gali pakrypti arba kūnas pajudėti, todėl galite patirti sužalojimų.
13. Nepereikite prie kito rišimo taško, kol dabar rišama vielą nebus baigta rišti. Antraip galite būti sužaloti.
14. Rišdami vielą stebėkite vielos galą. Antraip ranka gali užkliūti už vielos galo ir jūs galite susižaloti.
15. Rišdami vielą nelieskite kontaktinės plokštelės. Prireikus paliesti kontaktinę plokštelę, užfiksuokite gaiduką arba išjunkite maitinimo jungiklį ir ištraukite akumulatoriaus kasetę. Antraip galite būti sužaloti.
16. Baigę rišti vielą, įrankį nustatykite į statmeną padėtį. Antraip rankena gali užkliūti už armatūros strypų, todėl gali įvykti nelaimingas atsitikimas.
17. Saugokite įrankį nuo kritimo, trinkelėjimo ar smūgių. Jei prieš naudojimą stipriai sutrenkėte įrankį, įsitinkinkite, kad jis nepažeistas ar nesutrūkęs, ar normaliai veikia saugos įtaisai. Antraip gali įvykti nelaimingas atsitikimas.
18. Pastebėję bet kurį iš šių reiškinų, užfiksuokite gaiduką, išjunkite maitinimo jungiklį ir ištraukite iš įrankio akumulatoriaus kasetę. Įrankiui veikiant netinkamai, gali įvykti nelaimingas atsitikimas.
 - Veikimo garsui pasigirdus vos tik įtvirtinta akumulatoriaus kasetė.
 - Pastebėję perkaitimą ar neįprastus kvapus arba garsus.
 - Kai imatės priemonių, atsižvelgdami į klaidos rodinį. (Dėl remonto kreipkitės į vietinį „Makita“ techninės priežiūros centrą.)
 - Įdėdami ar išimdami vielos ritę.
 - Kai darbo metu judate, laikydami įrankį.
 - Kai įrankio nenaudojate.
 - Tikrindami arba reguliuodami įrankį.
 - Išimdami suvytą vielą.
19. Dirbdami ant pastolių, visada juos stabiliai įtvirtinkite ir dirbkite stovėdami taip, kad galėtumėte išlaikyti pusiausvyrą. Jei pastoliai bus nestabilūs, gali įvykti nelaimingas atsitikimas.
20. Dirbdami ant stogo ar panašiose vietose, darbo metu judėkite į priekį, kad galėtumėte matyti, kur einate. Jei dirbdami judėsite atgal, gali susipainioti kojos ir įvykti nelaimingas atsitikimas.
21. Dirbdami aukštai esančioje vietoje pasirūpinkite, kad žemiau jūsų nebūtų jokio asmens, taip pat pasirūpinkite, kad dirbdami nenumestumėte jokių įrankių. Numestas įrankis gali sukelti nelaimingą atsitikimą.
22. Įrankį naudokite tik vietai rišti, o ne kitiems darbams. Antraip gali įvykti nelaimingas atsitikimas.
23. Visada naudokite „Makita“ originalias vielas. Vielų nenaudojant ilgą laiką, jos gali surūdėti. Nenaudokite surūdijusių vielų. Antraip jos gali sukelti nelaimingą atsitikimą.

24. **Surišę patikrinkite, ar dėl pernelyg didelio sukimo viela nesulūžo. Jei kurios nors vielos bus sulūžusios, bus netvirtai surišta. Pakoreguokite rišimo stiprį ir dar kartą suriškite armatūros strypus.**
25. **Patikimai padėkite rankeną ant armatūros strypų. Nepatikimai įtaisius, tarp armatūros strypų atsiras tarpas, o tai pakenks rišimo stipriui.**
12. **Baterijas naudokite tik su „Makita“ nurodytais gaminiiais. Baterijas įdėjus į netinkamus gaminius gali kilti gaisras, gaminyje pernelyg kaiti, kilti sproginimas arba pratekėti elektrolitas.**
13. **Jei įrankis bus ilgą laiką nenaudojamas, akumuliatorių būtina išimti iš įrankio.**
14. **Darbo metu ir po akumuliatoriaus kasetė gali būti įkaitusi ir dėl to nudeginti. Įdami akumuliatoriaus kasetes, būkite atsargūs.**
15. **Tuojuo pat po naudojimo nelieskite įrankio gnybtų, nes jie gali būti įkaitę tiek, kad nudegins.**

Svarbios saugos instrukcijos, taikomos akumuliatoriaus kasetei

1. **Prieš naudodami akumuliatoriaus kasetę, perskaitykite visas instrukcijas ir perspėjimus ant (1) akumuliatorių įkroviklio, (2) akumuliatorių ir (3) akumuliatorių naudojančio gaminio.**
2. **Neardykite ir negadinkite akumuliatoriaus kasetės. Dėl to ji gali užsidegti, per daug įkaisti arba sprogti.**
3. **Jei įrankio darbo laikas žymiai sutrumpėjo, nedelsdami nutraukite darbą su įrankiu. Tai gali kelti perkaitimo, nudegimų ar net sproginimo pavojų.**
4. **Jei elektrolitas pateko į akis, plaukite jas tyru vandeniu ir nedelsdami kreipkitės į gydytoją. Gali kilti regėjimo praradimo pavojus.**
5. **Neužtrumpinkite akumuliatoriaus kasetės:**
 - (1) **Nelieskite kontaktų degiomis medžiagomis.**
 - (2) **Venkite laikyti akumuliatoriaus kasetę kartu su kitais metaliniais daiktais, pavyzdžiui, vinimis, monetomis ir pan.**
 - (3) **Saugokite akumuliatoriaus kasetę nuo vandens ir lietaus.**

Trumpasis jungimas akumuliatorių gali sukelti stiprią srovę, perkaitimą, galimus nudegimus ar net akumuliatoriaus gedimą.

6. **Nelaikykite ir nenaudokite įrankio ir akumuliatoriaus kasetės vietose, kur temperatūra gali pasiekti ar viršyti 50 °C (122 °F).**
7. **Nedeginkite akumuliatoriaus kasetės, net jei yra stipriai pažeista ar visiškai susidėvėjusi. Ugnyje akumuliatoriaus kasetė gali sprogti.**
8. **Akumuliatoriaus kasetės nekalkite, nepjausdykite ir nemėtykite ir taip pat jį netrankykite kietu daiktu. Taip elgiantis, ji gali užsidegti, per daug įkaisti arba sprogti.**
9. **Nenaudokite pažeisto akumuliatoriaus.**
10. **Įdėtoms ličio jonų akumuliatoriams taikomi Pavojingų prekių teisės akto reikalavimai. Komeracinis transportas, pvz., trečiųjų šalių, prekių vežimo atstovų, turi laikytis specialaus reikalavimo ant pakuotės ir ženklavimo. Norėdami paruošti siųstiną prekę, pasitarkite su pavojingų medžiagų specialistu. Be to, laikykitės galimai išsamesnių nacionalinių reglamentų. Užklijuokite juosta arba padenkite atvirus kontaktus ir supakuokite akumuliatorių taip, kad ji pakuotėje nejudėtų.**
11. **Kai išmetate akumuliatoriaus kasetę, išimkite ją iš įrankio ir išmeskite saugioje vietoje. Vadovaukitės vietos reglamentais dėl akumuliatorių išmetimo.**

SAUGOKITE ŠIAS INSTRUKCIJAS.

▲PERSPĖJIMAS: Naudokite tik originalų „Makita“ akumuliatorių. Neoriginalaus „Makita“ arba pakeisto akumuliatoriaus naudojimas gali nulemti gaisrą, asmens sužalojimą ir pažeidimą. Tai taip pat panaikina „Makita“ suteikiamą „Makita“ įrankio ir įkroviklio garantiją.

Patarimai, ką daryti, kad akumuliatorių veiktų kuo ilgiau

1. **Pakraukite akumuliatoriaus kasetę prieš jai visiškai išsikraunant. Visuomet nustokite naudoti įrankį ir pakraukite akumuliatoriaus kasetę, kai pastebite, kad įrankio galia sumažėjo.**
2. **Niekada nekraukite iki galo įkrautos akumuliatoriaus kasetės. Perkraunant trumpėja akumuliatoriaus eksploatacijos laikas.**
3. **Akumuliatoriaus kasetę kraukite esant kambario temperatūrai 10 - 40 °C. Prieš pradėdami krauti, leiskite įkaitusiai akumuliatoriaus kasetei atvėsti.**
4. **Kai akumuliatoriaus kasetės nenaudojate, ją išimkite iš įrankio ar įkroviklio.**
5. **Įkraukite akumuliatoriaus kasetę, jei jos nenaudojate ilgą laiką (ilgiau nei šešis mėnesius).**

VEIKIMO APRAŠYMAS

▲ PERSPĖJIMAS: Prieš pradėdami reguliuoti arba tikrinti įrankio veikimą, visuomet būtinai išjunkite įrankį ir išimkite akumuliatoriaus kasetę.

Akumuliatoriaus kasetės uždėjimas ir nuėmimas

▲ PERSPĖJIMAS: Prieš įdėdami arba išimdami akumuliatoriaus kasetę, visada išjunkite įrankį.

▲ PERSPĖJIMAS: Įdėdami arba išimdami akumuliatoriaus kasetę, tvirtai laikykite įrankį ir akumuliatoriaus kasetę. Jeigu įrankį ir akumuliatoriaus kasetę laikysite netvirtai, jie gali išslysti iš jūsų rankų, todėl įrankis ir akumuliatoriaus kasetė gali būti sugadinti, o naudotojas sužalotas.

- **Pav.1:** 1. Raudonas sandariklis (indikatorius) 2. Mygtukas 3. Akumuliatoriaus kasetė

Jei norite išimti akumuliatoriaus kasetę, ištraukite ją iš įrankio, stumdami mygtuką, esantį kasetės priekyje.

Jei norite įdėti akumuliatoriaus kasetę, sulygiuokite liežuvių ant akumuliatoriaus kasetės su grioveliu korpusė ir įstumkite į jai skirtą vietą. Įdėkite iki galo, kol spragtelėdama užsifiksuos. Jeigu matote raudoną sandariklį (indikatorių) viršutinėje mygtuko pusėje, ji nėra visiškai užfiksuota.

▲ PERSPĖJIMAS: Akumuliatoriaus kasetę visada įkiškite iki galo, kol nebematysite raudono sandariklio (indikatoriaus) Priešingu atveju ji gali atsiktiknai iškristi iš įrankio ir sužeisti jus arba aplinkinius.

▲ PERSPĖJIMAS: Nekiškite akumuliatoriaus kasetės įgą. Jeigu kasetė sunkiai lenda, ją kišate netinkamai.

Likusios akumuliatoriaus galios rodymas

Tik akumuliatoriaus kasetėms su indikatoriumi

- **Pav.2:** 1. Indikatorių lemputės 2. Tikrinimo mygtukas

Paspauskite akumuliatoriaus kasetės tikrinimo mygtuką, kad būtų rodoma likusi akumuliatoriaus energija. Maždaug trims sekundėms užsidegs indikatorių lemputės.

Indikatorių lemputės			Likusi galia
Šviečia	Nešviečia	Blyksi	
■	□	◐	
■ ■ ■ ■			75 - 100 %
■ ■ ■ □			50 - 75 %
■ ■ □ □			25 - 50 %
■ □ □ □			0 - 25 %
◐ □ □ □			Įkraukite akumuliatorių.

Indikatorių lemputės			Likusi galia
Šviečia	Nešviečia	Blyksi	
■	□	◐	
■ ■ □ □			Galimai įvyko akumuliatoriaus veikimo triktis.
□ □ ■ ■			

PASTABA: Rodmuo gali šiek tiek skirtis nuo faktinės energijos lygio – tai priklauso nuo naudojimo sąlygų ir aplinkos temperatūros.

PASTABA: Veikiant akumuliatoriaus apsaugos sistemai ims mirksėti pirmoji (toliausiai kairėje) indikatoriaus lemputė.

Įrankio / akumuliatoriaus apsaugos sistema

Įrankyje įrengta įrankio / akumuliatoriaus apsaugos sistema. Ši sistema automatiškai atjungia variklio maitinimą, kad įrankis ir akumuliatorius ilgiau veiktų. Įrankis automatiškai išsijungs darbo metu esant vienai iš toliau nurodytų įrankio arba akumuliatoriaus darbo sąlygų:

Apsauga nuo perkrovos

Kai akumuliatorius naudojamas taip, kad neįprastai padidėja elektros srovė, įrankis automatiškai išsijungia, o ekrane parodomas atitinkamos klaidos numeris. Tokiu atveju išjunkite įrankį ir nutraukite darbą, dėl kurio kilo įrankio perkrova. Tada vėl įjunkite įrankį.

Apsauga nuo perkaitimo

Jeigu įrankis arba akumuliatorius perkaista, įrankis automatiškai išsijungia, o ekrane rodomas atitinkamos klaidos numeris. Tokiu atveju, prieš vėl jungdami įrankį, leiskite įrankiui ir akumuliatoriui atvėsti.

Apsauga nuo visiško išsekvojimo

Kai likusios akumuliatoriaus galios nepakanka, įrankis automatiškai išsijungia, o ekrane rodomas atitinkamos klaidos numeris. Tokiu atveju ištraukite akumuliatorių iš įrankio ir jį įkraukite.

Pagrindinis maitinimo jungiklis

▲ PERSPĖJIMAS: Įjungę maitinimą, niekada nedėkite galūnių ar neprikliškite veido arti įrankio rišamosios ar besisukančių antgalio dalių. Antraip galite būti sužaloti.

▲ PERSPĖJIMAS: Įjungę maitinimą, niekada nelieskite įrankio rišamosios ar besisukančių antgalio dalių. Antraip galite būti sužaloti.

▲ PERSPĖJIMAS: Prieš įdėdami akumuliatoriaus kasetę būtinai nuimkite pirštą nuo gaiduko ir gaiduką užfiksuokite. Akumuliatoriaus kasetę įdedant, kol gaidukas nuspaustas, netyčia prasidėjus vielos rišimui, gali įvykti nelaimingas atsitikimas.

- **Pav.3**

Paspaudus maitinimo mygtuką, įsijungia maitinimas ir užsideda rišimo režimo lemputė. Norint nustatyti įrankį į jo pradinę padėtį, jis laikinai veikia. Nustatčius, įrankis sustabdomas automatiškai. Paspaudus maitinimo mygtuką dar kartą, išsijungia maitinimas ir užgęsta rišimo režimo lemputė.

► **Pav.4:** 1. Rišimo režimo lemputė 2. Maitinimo mygtukas

PASTABA: Įrankis turi automatinio išjungimo funkciją. Gaiduko nenuspaudus 10 minučių, akumulatoriaus galios sąnaudoms sumažinti įrankis išjungiamas automatiškai.

PASTABA: Norėdami vėl paleisti įrankį, dar kartą įjunkite maitinimą.


Režimo perjungimo mygtukas

Įjungę maitinimą ir šviečiant rišimo režimo lemputei, režimo perjungimo mygtuku galite pasirinkti vieno suaktyvinimo režimą arba nepertraukiamo veikimo režimą. Dar kartą įjungus maitinimą, įrankis ima veikti paskutinį kartą pasirinktu režimu.

► **Pav.5:** 1. Režimo perjungimo mygtukas 2. Vieno suaktyvinimo režimas 3. Nepertraukiamo veikimo režimas

Jungiklio veikimas

⚠ PERSPĖJIMAS: Prieš montuodami akumulatoriaus kasetę įrankyje, visuomet patikrinkite, ar gaidukas tinkamai veikia ir atleistas grįžta į išjungimo padėtį „OFF“.

⚠ PERSPĖJIMAS: Kai įrankiu nedirbate, nuspauskite gaiduko fiksavimo mygtuką iš  pusės, kad gaidukas užsifikuotų į IŠJUNGIMO (OFF) padėtį.

► **Pav.6:** 1. Gaidukas 2. Gaiduko fiksavimo mygtukas

Norint, kad gaidukas nebūtų atsitiktinai nuspaustas, įrengtas gaiduko fiksavimo mygtukas. Norėdami įjungti įrankį, paspauskite gaiduko fiksavimo mygtuką iš A pusės ir patraukite už gaiduko. Norėdami įrankį išjungti, gaiduką atleiskite. Pabaigę darbą, nuspauskite gaiduko fiksavimo mygtuką iš B pusės.

Paspaudus gaiduką, įrankis atlieka tolesnius sekos veiksmus, tada jis sustabdomas automatiškai.

1. Paduokite vielą.
2. Nupjaukite vielą.
3. Kablys laiko ir susuka vielą.
4. Kablys grįžta į pradinę padėtį.

Rišimo stiprio nuostata

⚠ PERSPĖJIMAS: Prieš pradėdami reguliuoti būtinai užfiksukite gaiduką. Įjungę maitinimą, niekada nedėkite galūnių ar neprikiškite veido arti įrankio rišamosios ar besisukančių antgalio dalių. Antraip galite būti sužaloti.

► **Pav.7**

Rišimo stiprį galite nustatyti reguliuodami rišimo stiprio reguliavimo mygtuką. Rišimo stipris rodomas ekrane.

► **Pav.8:** 1. Rišimo stiprio reguliavimo mygtukas 2. Ekranas

Jei viela sulūžusi, bus netvirtai surišta. Po surišimo patikrinkite susuktą dalį, ar nesulūžusi.

Jei viela sulūžusi, rišimo stiprį reguliuokite rišimo stiprio reguliavimo mygtuku, tada dar kartą suriškite armatūros strypus.

Pranešimas apie likusią akumulatoriaus galią

Akumulatoriaus įtampai sumažėjus žemiau reikiamo lygio, įrankis nustos veikęs, pasigirs klaidos signalas, o ekrane pasirodys numeris „4“. Kol neišjungsite maitinimo, klaidos signalas nesiliaus skambėjęs.

PASTABA: Kai aplinkos temperatūra itin žema, klaidos signalas gali skambėti net ir esant pakankamai akumulatoriaus galios.

SURINKIMAS

⚠ PERSPĖJIMAS: Prieš darydami ką nors įrankiui visada patikrinkite, ar įrenginys išjungtas, o akumuliatorių kasetė – nuimta.

Rišimo vielos (vielos ritės) įstatymas

⚠ PERSPĖJIMAS: Prieš montuodami ar išmontuodami rišimo vielas ir priedus, būtinai išjunkite maitinimą, užfiksukite gaiduką ir ištraukite akumulatoriaus kasetę. Nesilaikant šio nurodymo, gali įvykti nelaimingas atsitikimas.

PASTABA: Naudojant ne „Makita“ originalias rišimo vielas, įrankis gali sugesti.

1. Pastumkite atlaisvinimo svirtelę ir užfiksukite ją fiksavimo svirtimi.

► **Pav.9:** 1. Atlaisvinimo svirtelė 2. Fiksavimo svirtis

Pastūmus atlaisvinimo svirtelę, tarp kairiojo ir dešiniojo tiekimo įtaisų susidaro tarpas.

► **Pav.10:** 1. Atlaisvinimo svirtelė 2. Fiksavimo svirtis 3. Padavimo įtaisai

2. Atidarykite ritės dangtelį.

► **Pav.11:** 1. Ritės dangtelis

3. Pritvirtinkite vielos ritę ant įrankio, kaip parodyta paveikslėlyje.

► **Pav.12:** 1. Vielos ritė

PASTABA: Būtinai įtvirtinkite vielos ritę, kaip parodyta paveikslėlyje. Įtvirtinus kitaip, viela atsilaisvins ir gali būti susukta.

4. Atkabinkite vielos galiuką nuo ritės kablo.

► **Pav.13:** 1. Kablys

5. Vielos galą laikykite tiesiai ir prakiškite per kreiptuvą.

► **Pav.14:** 1. Kreiptuvas

PASTABA: Jei per kreiptuvą kišamos vielos galas bus sulenktas, viela gali įstrigti įrankyje.

PASTABA: Jei vielą mėginsite prakišti per kreiptuvą per jėgą, ji gali įstrigti.

6. Ištraukite vielą maždaug 10 mm nuo rankenos antgalio.

► **Pav.15:** 1. Rankena 2. Maždaug 10 mm

PASTABA: Jei ištrauktos vielos ilgio nepakanka, rišama viela gali nulūžti arba dėl nepakankamo apvyniojimo surišimo stipris gali būti prastas.

7. Pervyniokite vielą, kad būtų įtempta.

► **Pav.16**

8. Atleiskite fiksavimo svirtį. Atlaisvinimo svirtelė grįžta, o viela laiko kairysis ir dešinysis įtaisai.

► **Pav.17:** 1. Atlaisvinimo svirtelė 2. Fiksavimo svirtis

► **Pav.18:** 1. Įtaisas 2. Vielos kelias 3. Viela

PASTABA: Atleidus fiksavimo svirtį, o kairiajam ir dešiniajam įtaisams persidengiant vienam su kitu, įtaisuose esantys grioveliai suformuoja tarpą. Tarpas tampa keliu vielai. Įsitikinkite, kad viela eina šiuo keliu.

9. Uždarykite ritės dangtelį.

► **Pav.19:** 1. Ritės dangtelis

NAUDOJIMAS

Patikra prieš darbą

▲PERSPĖJIMAS: Jei kilo įrankio saugos mechanizmo problema, įrankio nenaudokite. Jį ir toliau naudojant gali įvykti nelaimingas atsitikimas.

Prieš naudodami įrankį įsitikinkite, kad saugos mechanizmas veikia normaliai. Jei įrankis veikia su neveikiančiu saugos mechanizmu, nedelsdami baikite naudotis įrankiu. Dėl remonto kreipkitės į vietinį „Makita“ techninės priežiūros centrą.

Gaiduko fiksatoriaus tikrinimas

Įrankyje yra gaiduko fiksatorius, neleidžiantis įrankiui veikti, kai jo neketinate naudoti. Užfiksukite gaiduką ir įsitikinkite, kad gaiduko paspausti nepavyks.

Lenkto kreiptuvo tikrinimas

Norint užtikrinti, kad operatorius per klaidą nepalies rišamosios ar besisukančių dalių, įrankis neveiks, net ir paspaudus gaiduką, jei lenktas kreiptuvas atidarytas. Operatoriui atleidus pirštą nuo gaiduko ir uždarius lenktą kreiptuvą, įrankis gali veikti.

► **Pav.20:** 1. Lenktas kreiptuvas

Lenkto kreiptuvo atidarymo / uždarymo nustatymo patikra

Nuimkite rišimo vielą, atlikdami šiuos veiksmus, patikrinkite, kaip veikia įrankis, ir įsitikinkite, kad įrankis nepasileis, kol atidarytas lenktas kreiptuvas.

1. Išjunkite maitinimą ir palikite lenktą kreiptuvą atidarytą.

2. Įjunkite maitinimą.

Jei įrankis neveikia, o ekrane rodoma vertė „2“, įrankio būseną įprastinė. Išjunkite maitinimą ir uždarykite lenktą kreiptuvą. Jei įrankis veikia, o ekrane jokia klaida nėra rodoma, įrankio būseną yra neįprasta. Nedelsdami nustokite naudoti įrankį ir susisiekite su vietiniu „Makita“ techninės priežiūros centru dėl remonto.

▲PERSPĖJIMAS: Atidarę lenktą kreiptuvą ir įjungę maitinimą, kai norite patikrinti blokuotę, laikykite lenktą kreiptuvą, kaip parodyta paveikslėlyje. Niekada nedėkite galūnių ar neprikliškite veido arti įrankio rišamosios ar besisukančių antgalio dalių. Antraip galite būti sužaloti.

► **Pav.21**

Rišimas

▲PERSPĖJIMAS: Prieš įdėdami akumulatoriaus kasetę būtinai nuimkite pirštą nuo gaiduko ir gaiduką užfiksukite. Akumulatoriaus kasetę įdedant, kol gaidukas nuspaustas, netyčia prasidėjus vielos rišimui, gali įvykti nelaimingas atsitikimas.

▲PERSPĖJIMAS: Įjungę maitinimą, niekada nedėkite galūnių ar neprikliškite veido arti įrankio rišamosios ar besisukančių antgalio dalių. Antraip galite būti sužaloti.

▲PERSPĖJIMAS: Įjungę maitinimą, niekada nelieskite įrankio rišamosios ar besisukančių antgalio dalių. Antraip galite būti sužaloti.

► **Pav.22**

Paruošimas prieš darbą

1. Patikrinkite, ar akumulatoriaus kasetė yra išimta, o gaidukas užfiksuoatas.

2. Įdėkite akumulatoriaus kasetę į įrankį ir įjunkite maitinimą. Įjungus maitinimą, viela pjaunama automatiškai.

PASTABA: Įsitikinkite, kad įjungus maitinimą šviečia rišimo režimo lemputė. Jei lemputė nešviečia, įkraukite akumulatorių.

3. Atleiskite gaiduko fiksatorių.

► **Pav.23:** 1. Gaiduko fiksavimo mygtukas

2. Gaidukas 3. Maitinimo mygtukas

4. Rišimo režimo lemputė

Vieno suaktyvinimo režimas

1. Tvirtai paspauskite rankeną į rišimo tašką. Spauskite įrankį statmena kryptimi į armatūros strypus, tada paspauskite rankeną ties tašku, kuriame armatūros strypai susikerta 45 laipsnių kampų.

► **Pav.24**

2. Vieną kartą paspauskite gaiduką.

3. Viela paduodama ir nupjaunama automatiškai.

4. Kablys laiko ir susuka vielą, tada, surišus vielas, grįžta į pradinę padėtį.

► **Pav.25**

5. Baigę rišti būkite atsargūs, kad neužkabintumėte rankenos ant armatūros strypų ir nepatrauktumėte įrankio į viršų.

▲PERSPĖJIMAS: Jei viela užsikabino ant įrankio rišamosios antgalio dalies, išjunkite įrankio maitinimą. Užfiksukite gaiduką, ištraukite akumulatoriaus kasetę ir įrankiais, tokiais kaip žnybiamosios replutės ar replės, išimkite vielą.

► **Pav.26**

Nepertraukiamo veikimo režimas

1. Režimo perjungimo mygtuku perjunkite įrankio režimą iš vieno suaktyvinimo režimo į nepertraukiamo veikimo režimą.

► **Pav.27:** 1. Režimo perjungimo mygtukas

2. Atleiskite gaiduko fiksatorių.

3. Laikydami gaiduką paspaustą, spauskite įrankį statmena kryptimi į armatūros strypus, tada paspauskite rankeną ties tašku, kuriame armatūros strypai susikerta 45 laipsnių kampu. Tvirtai paspauskite kontaktinę plokštelę ties rišimo tašku. Viela bus surišta.

► **Pav.28:** 1. Kontaktinė plokštelė

4. Baigę rišti būkite atsargūs, kad neužkabintumėte rankenos ant armatūros strypų ir nepatrauktumėte įrankio į viršų.

► **Pav.29**

Perspėjimai dėl darbo

- Jei rišdami vielą pastumsite rankeną iš rišimo padėties, viela įstrigs ant kablo, todėl bus surišta netinkamai.
- Spauskite įrankį į armatūros strypus, kol bus surišta.
- Nepereikite prie kito rišimo taško, kol dabar rišama viela nebus baigta rišti.
- Rišant vielą, įrankio antgalio besisukanti dalis (kablys) susuka vielą. Tvirtai laikykite rankeną, kad dėl įrankio jėgos nepajudėtumėte.
- Rišdami vielą nelieskite vielų.
- Jei vielos rišimą kartojate vieno suaktyvinimo režimu, visiškai atleiskite pirštą nuo gaiduko. Tada toliau spauskite gaiduką.
- Paspaudus gaiduką, kai rišimo vielos neliko, bus parodyta klaida. Įdėkite naują rišimo vielą ir įrankį paleiskite iš naujo.

Rišimo patarimai

• Kreipkite įrankį 45° kampu sukryžiuotų armatūros strypų link ir riškite pakaitomis, kaip parodyta paveikslėlyje.

► **Pav.30**

• Venkite armatūros strypų iškiliių dalių.

► **Pav.31**

• Jei rišimo stipris nepakankamas, pakeiskite rišimo padėtį ir suriškite dukart, kad surišimo stipris padidėtų.

► **Pav.32**

PASTABA: Surišę antrąjį kartą, lenkite pirmosios surištos dalies galiuką, tada galite rišti antrą kartą. Antraip antrąjį kartą viela gali „atkilti“. Ji gali prikibti prie įrankio antgalio, todėl kablys gali būti sugadintas.

Rišimo vielų keitimas

APERSPĖJIMAS: Prieš keisdami vielą, būtinai išjunkite maitinimą, užfiksukite gaiduką ir ištraukite akumuliatoriaus kasetę. Nesilaikant šio nurodymo, gali įvykti nelaimingas atsitikimas.

1. Sunaudojus vielą, pasigirsta klaidos signalas ir parodoma klaida „1“.

2. Užfiksukite gaiduką, išjunkite maitinimą ir ištraukite akumuliatoriaus kasetę.

3. Pastumkite atlaisvinimo svirtelę ir užfiksukite ją fiksavimo svirtimi.

► **Pav.33:** 1. Atlaisvinimo svirtelė 2. Fiksavimo svirtis

4. Nuimkite vielos ritę nuo įrankio.

PASTABA: Normaliai išnaudojus vielą, aplink ritę lieka apsvynioję 20 cm vielos. Tokiu atveju pakeiskite vielos ritę nauja.

Jei sunku nuimti vielos ritę nuo įrankio, atlikite toliau pateiktus veiksmus.

1. Įdėkite akumuliatoriaus kasetę į įrankį ir įjunkite maitinimą. Įrankis paduoda vielą ir ją nupjauna automatiškai.

2. Užfiksukite gaiduką, išjunkite maitinimą ir ištraukite akumuliatoriaus kasetę.

3. Įrankiais, tokiais kaip žnybiamosios replutės ar replės, pašalinkite sulūžusią vielą.

TECHNINĖ PRIEŽIŪRA

APERSPĖJIMAS: Visuomet įsitinkinkite, ar įrankis yra išjungtas ir akumuliatoriaus kasetė yra nuimta prieš atlikdami apžiūrą ir priežiūrą.

PASTABA: Niekada nenaudokite gazolino, benzino, tirpiklio, spirito arba panašių medžiagų. Gali atsirasti išblukimų, deformacijų arba įtrūkimų.

Kad gaminsys būtų SAUGUS ir PATIKIMAS, jį taisyti, apžiūrėti ar vykdyti bet kokią kitą priežiūrą ar derinimą turi įgaliotasis kompanijos „Makita“ techninės priežiūros centras; reikia naudoti tik kompanijos „Makita“ pagamintas atsargines dalis.

Pjaustytuvo dalies valymas

Naudojant įrankį, prie pjaustytuvo dalies gali prikibti dulkių ir vielos dalelių. Tokiu atveju išvalykite pjaustytuvo dalį laikydamiesi šios procedūros. Valyti reikia kaskart sunaudojus dėžutę ritės. (50 vnt.)

Vielinio šepetėlio naudojimas

1. Atidarykite ritės dangtelį.

► **Pav.34:** 1. Ritės dangtelis

2. Pastumkite atlaisvinimo svirtelę ir užfiksukite ją fiksavimo svirtimi.

► **Pav.35:** 1. Atlaisvinimo svirtelė 2. Fiksavimo svirtis

3. Prakiškite vielinį šepetėlį per kreiptuvą.

Įkišdami vielinį šepetį, jį prilaikykite ir po truputį stumkite į kreiptuvą.

► **Pav.36:** 1. Vielinis šepetėlis

► **Pav.37:** 1. Įtaisas 2. Kreiptuvas 3. Vielinis šepetėlis

4. Stumkite vielinį šepetėlį, kol jis išlįs maždaug 10 mm nuo rankenos antgalio. Tada vielinį šepetėlį ištraukite. Šį veiksmą pakanka atlikti vieną kartą.
► **Pav.38:** 1. Rankena 2. Vielinis šepetėlis

5. Uždarykite ritės dangtelį.
► **Pav.39:** 1. Ritės dangtelis

Orpūtės pistoleto naudojimas

Atidarykite ritės dangtelį, pastumkite atlaisvinimo svirtelę ir užfiksukite ją fiksavimo svirtimi. Tada atneškite orpūtės pistoletą kuo arčiau kreiptuvo ir pūskite orą. Įsitikinkite, kad per rankenos antgalį išeina oras.

► **Pav.40:** 1. Orpūtės pistoletas 2. Kreiptuvas

Valymas išardžius

Jei pjaustytuvo dalis užsikimšo arba joje įstrigo viela, išardykite ir išvalykite dalis.

Išardymas ir valymas

1. Šešiakampi veržliasukiu, kurį rasite įrankių pakete, atsukite A ir B varžtus.
► **Pav.41:** 1. Šešiabriaunis veržliaraktis
► **Pav.42:** 1. A varžtas 2. B varžtas 3. Kontaktinės plokštelės dangtelis 4. Vielos kreiptuvas B

PASTABA: Nemėginkite per jėgą išsukti varžtų, kai to nepavyko atlikti šešiakampi veržliasukiu.

2. Patraukite kontaktinės plokštelės dangtelį rodyklės kryptimi ir nuimkite jį. Tuo pat metu bus išimtas B varžtas.
► **Pav.43:** 1. Kontaktinės plokštelės dangtelis 2. B varžtas

3. Išsukite A varžtą ir išimkite vielos kreiptuvą B.
► **Pav.44:** 1. A varžtas 2. Vielos kreiptuvas B

4. Apverskite vielos kreiptuvą B ir išvalykite jo vidų.
► **Pav.45**

5. Išimkite pjaustytuvus A ir B, viršutinę plokštelę ir jungiamąjį elementą A iš rankenos plokštelės A. Tada juos išvalykite.
► **Pav.46:** 1. B pjaustytuvas 2. Jungiamasis elementas A 3. A pjaustytuvas 4. Rankenos plokštelė A 5. Viršutinė plokštelė

Surinkimas

Baigę valyti, dalis surinkite pagal šią procedūrą.

1. Sumontuokite A pjaustytuvą ir jungiamąjį elementą A, kad atkartotų rankenos plokštelės A formą.
► **Pav.47:** 1. A pjaustytuvas 2. Jungiamasis elementas A 3. Rankenos plokštelė A

2. Sumontuokite pjaustytuvą B ir viršutinę plokštelę ant rankenos plokštelės A. (Sumontuokite pjaustytuvą B ant pjaustytuvo A ir jungiamojo elemento A.)
► **Pav.48:** 1. B pjaustytuvas 2. Viršutinė plokštelė 3. Rankenos plokštelė A 4. A pjaustytuvas 5. Jungiamasis elementas A

PASTABA: B pjaustytuvo iškyšą nukreipkite žemyn, tada sumontuokite pjaustytuvą, kaip parodyta paveikslėlyje.

3. Sulygiuokite įrankio vamzdį su grioveliu vielos kreiptuve B, tada juos surinkite.

► **Pav.49:** 1. Vamzdis 2. Griovelis 3. Vielos kreiptuvas B

4. Laikinau užverždami A varžtą, fiksukite vielos kreiptuvą B.

► **Pav.50:** 1. A varžtas 2. Vielos kreiptuvas B

5. Pritvirtinkite kontaktinės plokštelės dangtelį rodyklės kryptimi.

► **Pav.51:** 1. Kontaktinės plokštelės dangtelis

6. Užverždami A ir B varžtus, patikimai užfiksukite vielos kreiptuvą B ir kontaktinės plokštelės dangtelį.

► **Pav.52:** 1. Vielos kreiptuvas B 2. Kontaktinės plokštelės dangtelis 3. A varžtas 4. B varžtas

7. Surinkę įsitikinkite, kad kontaktinė plokštelė gali judėti, kaip parodyta paveikslėlyje.

► **Pav.53:** 1. Kontaktinė plokštelė

PASTABA: Jei kontaktinė plokštelė kliūva, paspauskite ją, kaip parodyta paveikslėlyje.

► **Pav.54**

Klaidos rodinys ir klaidos signalas

▲PERSPĖJIMAS: Patikros metu užfiksuokite gaiduką, išjunkite maitinimą ir ištraukite akumulatoriaus kasetę. Nesilaikant šio nurodymo, gali įvykti nelaimingas atsitikimas.

▲PERSPĖJIMAS: Įjungę maitinimą, niekada nedėkite galūnių ar neprikiškite veido arti įrankio rišamosios ar besisukančių antgalio dalių. Antraip galite būti sužaloti.

▲PERSPĖJIMAS: Įjungę maitinimą, niekada nelieskite įrankio rišamosios ar besisukančių antgalio dalių. Antraip galite būti sužaloti.

▲PERSPĖJIMAS: Pasigirdus klaidos signalui arba sugedus įrankiui, nedelsdami nutraukite naudojamą įrankių.

Klaidos signalas ir rodinys

Įvykus klaidai, pasigirs klaidos signalas, o ekrane bus parodytas klaidos numeris. Žr. šią lentelę ir imkitės atitinkamų veiksmų. Jei klaida išlieka, dėl remonto kreipkitės į „Makita“ įgaliotąjį techninės priežiūros centrą.

Rodinys	Požymis	Galima priežastis	Sprendimas
1	Įrankis nustoja veikęs.	Sunaudota viela.	Įdėkite naują rišimo vielą.
		Neįstatyta rišimo viela.	Įstatykite rišimo vielą.
		Nepavyksta tiekti vielos.	Patikrinkite rišimo vielos padėtį. Išimkite ir vėl įstatykite rišimo vielą. Išvalykite vielos kelią.
2	Įrankis nustoja veikęs.	Atidarytas lenktas kreiptuvas.	Uždarykite lenktą kreiptuvą.
3	Įrankis neriša nepertraukiamo veikimo režimu.	Užkliuvo kontaktinė plokštelė.	Atlaisvinkite kontaktinę plokštelę, kad nekliūtų.
4	Įrankis neįsijungia. Įrankis nustoja veikęs.	Išsikrovė akumulatorius. Akumulatoriaus kasetės temperatūra nenormaliai aukšta.	Įkraukite akumuliatorių. Atvėsinkite akumulatoriaus kasetę. Pakeiskite akumulatoriaus kasetę įkrauta.
5	Įrankis nustoja veikęs.	Perkrautas variklis.	Nustatykite, kas trukdo varikliui sukintis, ir pašalinkite problemą.
		Variklio gedimas	
6	Įrankis nustoja veikęs.	Įrankio temperatūra nenormaliai aukšta.	Atvėsinkite įrankį.
7	Įrankis neįsijungia. Įrankis nustoja veikęs.	Įrankio gedimas	Dėl remonto kreipkitės į „Makita“ įgaliotąjį techninės priežiūros centrą.

PASIRENKAMI PRIEDAI

▲PERSPĖJIMAS: Šiuos papildomus priedus arba įtaisus rekomenduojama naudoti su šioje instrukcijoje nurodytu „Makita“ bendrovės įrankiu. Naudojant bet kokius kitus papildomus priedus arba įtaisus, gali kilti pavojus sužeisti žmones. Naudokite tik nurodytam tikslui skirtus papildomus priedus arba įtaisus.

Jeigu norite daugiau sužinoti apie tuos priedus, kreipkitės į artimiausią „Makita“ techninės priežiūros centrą.

- Rišimo viela
- Vielinis šepetėlis
- Ilginamoji rankena
- Originalus „Makita“ akumulatorius ir įkroviklis

PASTABA: Kai kurie sąraše esantys priedai gali būti pateikti įrankio pakuotėje kaip standartiniai priedai. Jie įvairiose šalyse gali skirtis.

TEHNILISED ANDMED

Mudel:		DTR180
Sidumistraat (valikuline lisatarvik)		ø0,8 mm
Seotavate sarrusevarraste diameeter		Alates nr 3 × nr 3 kuni (nr 4 × 2) × (nr 4 × 2) Alates 10 mm × 10 mm kuni (13 mm × 2) × (13 mm × 2)
Umbkaudne seoste arv rulli kohta	Lõõmutatud rauast sidumistraat	Umbes 120 seost
	Tsingitud sidumistraat	Umbes 120 seost
	Polükattega sidumistraat	Umbes 105 seost
Üldpikkus		304 mm
Nimipinge		Alalisvool 14,4/18 V
Netokaal		2,3 - 2,6 kg

- Meie pideva uuringu- ja arendusprogrammi tõttu võidakse tehnilisi andmeid muuta ilma sellest ette teatamata.
- Tehnilised andmed ja akukassett võivad riigiti erineda.
- Kaal võib erineda olenevalt lisaseadistest, kaasa arvatud akukassetist. Kergeim ja raskeim kombinatsioon EPTA-protseduuri 01/2014 kohaselt on toodud tabelis.

Sobiv akukassett ja laadija

Akukassett	Alalisvool 14,4 V mudel	BL1415N / BL1430B / BL1440 / BL1460B
	Alalisvool 18 V mudel	BL1815N / BL1820B / BL1830B / BL1840B / BL1850B / BL1860B
Laadija		DC18RC / DC18RD / DC18RE / DC18SD / DC18SE / DC18SF / DC18SH

- Mõned eespool loetletud akukassetid ja -laadijad ei pruugi olla teie riigis saadaval.

⚠ HOIATUS: Kasutage ainult ülalpool loetletud akukasseid ja laadijaid. Muude akukassetide ja laadijate kasutamine võib tekitada vigastusi ja/või tulekahju.

Sarrusevarraste kombinatsioon, mida saab siduda

2 sarrusevarda kombinatsioon

	Nr 3 (10 mm)	Nr 4 (13 mm)	Nr 5 (16 mm)
Nr 3 (10 mm)	✓	✓	✓
Nr 4 (13 mm)	✓	✓	✓
Nr 5 (16 mm)	✓	✓	✓

3 sarrusevarda kombinatsioon

	Nr 3 × nr 3 (10 mm × 10 mm)	Nr 4 × nr 4 (13 mm × 13 mm)
Nr 3 (10 mm)	✓	✓
Nr 4 (13 mm)	✓	✓
Nr 5 (16 mm)	✓	-

4 sarrusevarda kombinatsioon

	Nr 3 × nr 3 (10 mm × 10 mm)	Nr 4 × nr 4 (13 mm × 13 mm)
Nr 3 × nr 3 (10 mm × 10 mm)	✓	✓
Nr 4 × nr 4 (13 mm × 13 mm)	✓	✓

TÄHELEPANU: Kui sarrusevarraste vahel on vahe või kui tööriista kasutatakse vales suunas, ei pruugi sarrusevarraste sidumine õnnestuda.

Sümbolid

Alljärgnevalt kirjeldatakse tingimärke, mida võidakse seadmetel kasutada. Enne seadme kasutamist tehke endale selgeks nende tähendus.



Lugege juhendit.



Kandke kaitseprille.



Ärge jätke vihma kätte.



Hoidke tööriista kasutades käed traadirul-ist või traadist eemal.



Hoidke käed tööriista otsast eemal.



Ainult EL-i riikide puhul
Ärge visake elektriseadmeid ja akusid ära koos majapidamisjäätmetega!
Vastavalt Euroopa Parlamendi ja Nõukogu direktiividele elektri- ja elektroonikaseadmete jäätmete kohta ning patareide ja akude ning patarei- ja akujäätmete kohta ning nende nõuete kohaldamisele liikmesriikides tuleb kasutuskõlbmatuks muutunud elektriseadmed ja akud koguda eraldi ning keskkonnasäästlikult korduv kasutada või ringlusse võtta.

Kavandatud kasutus

Tööriist on ette nähtud sarrusevarraste sidumiseks.

Müra

Tüüpiline A-korrigeeritud müratase, määratud standardi EN60745-2-18 (EN12549) kohaselt:

Helirõhutase (L_{pA}): 78 dB (A)

Määramatus (K): 3 dB (A)

Töötamisel võib müratase ületada 80 dB (A).

MÄRKUS: Deklareeritud müra väärtust (väärtuseid) on mõõdetud kooskõlas standardse katsemeetodiga ning seda võib kasutada ühe seadme võrdlemiseks teisega.

MÄRKUS: Deklareeritud müra väärtust (väärtuseid) võib kasutada ka mürataseme esmaseks hindamiseks.

⚠️HOIATUS: Kasutage kõrvakaitsmeid.

⚠️HOIATUS: Müratase võib elektritööriista tegelikkuses kasutamise ajal erineda deklareeritud väärtus(t)est olenevalt tööriista kasutusviisidest ja eriti töödeldavast toorikust.

⚠️HOIATUS: Rakendage operaatori kaitsmiseks kindlasti piisavaid ohutusabinõusid, mis põhinevad hinnangulisel müratasemel tegelikus töösituatsioonis (võttes arvesse tööperioodi kõiki osasid, näiteks korrad, kui seade lülitatakse välja ja seade töötab tühikäigul, lisaks tööajale).

Vibratsioon

Vibratsiooni koguväärtus (kolmeteljeliste vektorite summa) määratud standardi EN60745-2-18 (ISO8662-11) kohaselt: Töörežiim: Metallvarda sidumine
Vibratsiooniheid (a_{h1}): 2,5 m/s² või vähem
Määramatus (K): 1,5 m/s²

MÄRKUS: Deklareeritud vibratsiooni koguväärtust (-väärtuseid) on mõõdetud kooskõlas standardse katsemeetodiga ning seda võib kasutada ühe seadme võrdlemiseks teisega.

MÄRKUS: Deklareeritud vibratsiooni koguväärtust (-väärtuseid) võib kasutada ka mürataseme esmaseks hindamiseks.

⚠️HOIATUS: Vibratsioonitase võib elektritööriista tegelikkuses kasutamise ajal erineda deklareeritud väärtus(t)est olenevalt tööriista kasutusviisidest ja eriti töödeldavast toorikust.

⚠️HOIATUS: Rakendage operaatori kaitsmiseks kindlasti piisavaid ohutusabinõusid, mis põhinevad hinnangulisel müratasemel tegelikus töösituatsioonis (võttes arvesse tööperioodi kõiki osasid, näiteks korrad, kui seade lülitatakse välja ja seade töötab tühikäigul, lisaks tööajale).

EÜ vastavusdeklaratsioon

Ainult Euroopa riikide puhul

EÜ vastavusdeklaratsioon sisaldub käesoleva juhendi Lisas A.

OHUTUSHOIATUSED

Üldised elektritööriistade ohutushoiatused

⚠️HOIATUS: Lugege läbi kõik selle elektritööriistaga kaasas olevad ohutushoiatused, juhised, joonised ja tehnilised andmed. Järgnevate juhiste eiramine võib põhjustada elektrilöögi, süttimise ja/või raske kehavigastuse.

Hoidke edaspidisteks viideteks alles kõik hoiatused ja juhtnöörid.

Hoiatuses kasutatud termini „elektritööriist“ all peetakse silmas elektriga töötavaid (juhtmega) elektritööriistu või akuga töötavaid (juhtmeta) elektritööriistu.

Juhtmevaba sarrusevarda sidumistööriista ohutusohiatused

- Ärge suunake tööriista kunagi inimese poole. Ärge pange oma käsi või jalgu kunagi tööriista otsa lähedale.** Kui kasutate tööriista kogemata sel ajal, kui see kedagi puudutab, on tagajärjeks ootamatu õnnetus.
 - Ärge laadige traati sel ajal, kui tööriista toide on sisse lülitatud.** Muidu võite traadi sisse kinni jääda ja saada vigastusi.
 - Ärge kasutage tööriista, kui rulli kate on sulgemata.** Muidu võib traadirull maha tulla ja õnnetuse põhjustada.
 - Kontrollige enne töö alustamist kindlasti, et seotavate sarrusevarraste diameeter oleks tööriista töövõime piires.**
 - Kandke riideid, millel on liibuvad palistused ja varrukad. Ärge töötage kaela ümber seotud rätiku või muu esemega.** Muidu võivad nad takerduda pöörleva osa külge ja põhjustada õnnetuse.
 - Ärge unustage enne tööriista kasutamist järgmisi punkte kontrollida.**
 - Kontrollige, et ükski osa ei oleks kahjustatud.
 - Kontrollige, et ükski polt ei oleks lahti.
 - Kontrollige, et ohutusseadmed töötaksid normaalselt.
 - Kui leiata mõne kõrvalekalde, lõpetage kohe tööriista kasutamine. Ärge püüdke tööriista ise parandada. Pöörduge remontimiseks kohaliku Makita hoolduskeskusse.** Kui tööriista kasutatakse mittetäielikuna, võib juhtuda õnnetus.
 - Akukasseti paigaldades lukustage kindlasti päästik ja ärge asetage oma sõrme päästikule.** Vale käsitsimine võib põhjustada õnnetuse.
 - Sarrusevardaid sidudes olge ettevaatlik, et te neid ei liigutaks.** Kui sarrusevardad sidumise tõttu liiguvad, võite end vigastada.
 - Ärge puudutage traadi sidumise ajal traate.** Muidu võite traadi sisse kinni jääda ja saada vigastusi.
 - Ärge viige oma käsi traadi sidumise ajal sidumispunkti lähedale.** Muidu võite traadi sisse kinni jääda ja saada vigastusi.
 - Traadi sidumise ajal hoidke tööriista käepidemest tugevalt kinni.** Muidu võite oma rannet väänata või teie keha võidakse tõmmata, mille tagajärjeks võib olla vigastus.
 - Ärge liikuge järgmise sidumispunkti juurde enne, kui pooleli olev traadi sidumine on lõpetatud.** Muidu võite end vigastada.
 - Traadi sidumise ajal pöörake tähelepanu traadi otsale.** Muidu võib teie käsi traadi otsa külge kinni jääda ja võite end vigastada.
 - Ärge puudutage traadi sidumise ajal kontaktiplaati.** Kui peate kontaktiplaati puudutama, lukustage kindlasti päästik või lülitage toitelüliti välja ja eemaldage akukassett. Muidu võite end vigastada.
 - Kui olete traadi sidumise lõpetanud, tõmmake tööriist vertikaalselt üles.** Muidu võib teie käsi sarrusevarraste külge kinni jääda, mis võib põhjustada õnnetuse.
 - Olge ettevaatlik, ärge laske tööriistal maha kukkuda ja vältige lööke.** Kui enne tööriista kasutamist toimub tugev kokkupõrge, veenduge, et tööriist ei oleks kahjustatud ega pragunenud ning et ohutusseadmed töötaksid normaalselt. Muidu võib juhtuda õnnetus.
- Kui esineb üks järgmistest nähtustest, lukustage päästik, lülitage toitelüliti välja ja eemaldage akukassett tööriistast.** Kui tööriist töötab valesti, võib juhtuda õnnetus.
 - Kui töötamise heli kõlab kohe, kui akukasset on kinnitatud.
 - Kui tuvastate ülekuumenemise või ebanormaalse lõhna.
 - Kui võtate meetmed vastusena tõrkekuval näidatule. (Pöörduge remontimiseks kohaliku Makita hoolduskeskusse.)
 - Traadirulli laadides või maha laadides.
 - Kui liigute töö ajal tööriista hoides.
 - Kui te ei kasuta tööriista.
 - Kui kontrollite või reguleerite tööriista.
 - Kui eemaldate kinnijäänud traati.
 - Kui töötate tellingutel, stabiliseerige see alati ja töötage asendis, mis aitab teil tasakaalu hoida.** Kui tellingud on ebastabiilsed, võib juhtuda õnnetus.
 - Kui töötate katusel või sarnastes asukohtades, liikuge töötamise ajal edasisuunas, et näeksite, kuhu te lähete.** Kui liigute töötamise ajal tagurpidi, võite jalgealuse kaotada ja põhjustada õnnetuse.
 - Kui töötate eriti kõrges asukohas, veenduge, et keegi ei oleks teie all, ning olge tähelepanelik, et te ei pillaks töötamise ajal ühtki tööriista alla.** Tööriista pillamine võib põhjustada õnnetuse.
 - Ärge kasutage tööriista muudeks töödeks peale traadi sidumise.** Muidu võib juhtuda õnnetus.
 - Kasutage alati Makita originaaltraate.** Kui traate pikema aja vältel ei kasutata, võivad nad roostetada. Ärge kasutage roostes traate. Muidu võivad nad põhjustada õnnetuse.
 - Pärast sidumist kontrollige traatide katkiminekut üleliigse väändumise tõttu.** Kui mõni traat on katki, kaob sidumistugevus. Reguleerige sidumistugevust ja siduge sarrusevardad uuesti.
 - Paigutage latt kindlalt vastu sarrusevardaid.** Kui see ei ole kindlalt paigas, jääb sarrusevarraste vahele vahe ja sidumistugevus on kompromiteeritud.

Akukassetiga seotud olulised ohutusjuhised

- Enne akukasseti kasutamist lugege (1) akulaadidial, (2) akul ja (3) seadmel olevad juhtnõidrid ja hoiatused läbi.**
- Ärge võtke akukasseti lahti ega muutke seda.** See võib põhjustada tulekahju, liigset kuumust või plahvatuse.
- Kui tööaeg järsult lüheneb, siis lõpetage kohe kasutamine.** Edasise kasutamise tulemuseks võib olla ülekuumenemine, võimalikud põletused või isegi plahvatus.
- Kui elektrolüüti satub silma, siis loputage silma puhta veega ja pöörduge koheselt arsti poole.** Selline õnnetus võib põhjustada pimedaksjäämist.
- Ärge tekitage akukassetis lühist:**
 - (1) Ärge puutuge klemme elektrijuhtidega.
 - (2) Ärge hoidke akukasseti tööriistakastis koos metall-esemetega, nagu naelad, mündid jne.
 - (3) Ärge tehke akukasseti märjaks ega jätke seda vilma kätte.

Aku lühis võib põhjustada tugevat elektri-
voolu, ülekuumenemist, põletusi ning ka sea-
det tõsiselt kahjustada.

6. Ärge hoidke ega kasutage tööriista ja akukas-
setti kohtades, kus temperatuur võib tõusta
üle 50 °C (122 °F).
7. Ärge põletage akukasetti isegi siis, kui see on
saanud tõsiselt vigastada või on täiesti kulu-
nud. Akukasett võib tules plahvatada.
8. Ärge naelutage, löigake, muljuge, visake aku-
kassetti ega laske sel kukkuda, samuti ärge
lõoge selle pihnta kõva esemega. Selline tegevus
võib põhjustada tulekahju, liigset kuumust või
plahvatuse.
9. Ärge kasutage kahjustatud akut.
10. Sisalduvatele liitium-ioonakudele võivad
kohalduda ohtlike kaupade õigusaktide nõu-
ded.

Kaubanduslikul transportimisel, näiteks kolman-
date poolte või transpordiettevõtete poolt, tuleb
järgida pakendil ja siltidel toodud erinõudeid.
Transportimiseks ettevalmistamisel on vajalik
pidada nõu ohtliku materjali eksperdigiga. Samuti
tuleb järgida võimalike riiklike regulatsioonide
üksikasjalikumaid nõudeid.

Katke teibiga või varjake avatud kontaktid ja
pakendage aku selliselt, et see ei saaks pakendis
liikuda.

11. Kasutuskõlbmatuks muutunud akukasetti
kõrvaldamiseks eemaldage see tööriistast ja
viige selleks ette nähtud kohta. Järgige kasu-
tuskõlbmatuks muutunud aku kõrvaldamisel
kohalikke eeskirju.
12. Kasutage akusid ainult Makita heaks kiidetud
toodetega. Akude paigaldamine selleks mitte
ettenähtud toodetele võib põhjustada süttimist,
ülemäärast kuumust, plahvatamist või elektrolüüdi
lekkimist.
13. Kui tööriista ei kasutata pika ajaperioodi jook-
sul, tuleb aku tööriistast eemaldada.
14. Kasutamise ajal ja pärast kasutamist võib
akukasett kuumeneda, mis võib põhjustada
põletusi või madala temperatuuri põletusi.
Olge kuuma akukasetti kandmisel ettevaatlik.
15. Ärge puudutage tööriista klemmi kohe pärast
kasutamist, sest see võib olla kuum ja põhjus-
tada põletusi.
16. Hoidke akukasetti klemmid, avad ja sooned
tükikestest, tolmust ja mullast puhtad. Muidu
võib tööriist või akukasett halvasti töötada või
puruneda.
17. Kui tööriist ei kannata kasutamist kõrgepin-
geliinide lähedal, ärge kasutage akukasetti
kõrgepingeliinide lähedal. Muidu võib tööriist või
akukasett puruneda või sellel tõrge tekkida.
18. Hoidke akut lastele kättesaamatult.

HOIDKE JUHEND ALLES.

⚠ETTEVAATUST: Kasutage ainult Makita
originaalakusid. Mitte Makita originaalakude või
muudetud akude kasutamine võib põhjustada akude
süttimise, kehavigastuse ja kahjustuse. Samuti muu-
dab see kehtetuks Makita tööriista ja laadija Makita
garantii.

Vihjeid aku maksimaalse kasu- tusaja tagamise kohta

1. Laadige akukasetti enne selle täielikku
tühjenemist. Kui märkate, et tööriist töötab
väiksema võimsusega, peatage töö ja laadige
akukasetti.
2. Ärge laadige täielikult laetud akukasetti.
Ülelaadimine lühendab akude kasutusiga.
3. Laadige akukasetti toatemperatuuril 10 °C -
40 °C. Enne laadimist laske kuumenenud aku-
kassetti maha jahtuda.
4. Kui te ei kasuta parajasti akukasetti, eemal-
dage see tööriistast või laadurist.
5. Kui te ei kasuta akukasetti kauem kui kuus
kuud, laadige see.

FUNKTSIONAALNE KIRJELDUS

⚠ETTEVAATUST: Kandke alati hoolt selle eest,
et tööriist oleks enne reguleerimist ja kontrolli-
mist välja lülitatud ja akukasett eemaldatud.

Akukasetti paigaldamine või eemaldamine

⚠ETTEVAATUST: Lülitage tööriist alati enne
akukasetti paigaldamist või eemaldamist välja.

⚠ETTEVAATUST: Akukasetti paigaldamisel
või eemaldamisel tuleb tööriista ja akukasetti
kindlalt paigal hoida. Kui tööriista ja akukasetti ei
hoita kindlalt paigal, võivad need käest libiseda ning
kahjustada tööriista ja akukasetti või põhjustada
kehavigastusi.

► **Joon.1:** 1. Punane näidik 2. Nupp 3. Akukasett

Akukasetti eemaldamiseks libistage see tööriista kül-
jest lahti, vajutades kassetti esiküljel paiknevat nuppu
alla.

Akukasetti paigaldamiseks joondage akukasetti keel
korpuse soonega ja libistage kassett oma kohale.
Paigaldage akuadapter alati nii kaugele, et see lukus-
tuks klõpsatusega oma kohale. Kui näete nupu ülaosas
punast osa, pole kassett täielikult lukustunud.

⚠ETTEVAATUST: Paigaldage akukasett alati
täies ulatuses nii, et punast osa ei jääks näha.
Muidu võib adapter juhuslikult tööriistast välja kuk-
kuda ning põhjustada teile või läheduses viibivatele
isikutele vigastusi.











⚠ETTEVAATUST: Ärge rakendage akukasetti
paigaldamisel jõudu. Kui kassett ei lähe kergesti
sisse, pole see õigesti paigaldatud.

Aku jääkmahutavuse näit

Ainult näidikuga akukassettidele

► **Joon.2:** 1. Märkulambid 2. Kontrollimise nupp

Akukasseti järelejäänud mahutavuse kontrollimiseks vajutage kontrollimise nuppu. Märkulambid süttivad mõneks sekundiks.

Märkulambid			Jääkmahutavus
 Põleb	 Ei põle	 Vilgub	
			75 - 100%
			50 - 75%
			25 - 50%
			0 - 25%
			Laadige akut.
 ↑ ↓ 			Akul võib olla tõrge.

MÄRKUS: Näidatud mahutavus võib veidi erineda tegelikust mahutavusest olenevalt kasutustingimustest ja ümbritseva keskkonna temperatuurist.

MÄRKUS: Esimene (taga vasakul asuv) märgutuli vilgub, kui akukaitsesüsteem töötab.

Tööriista/aku kaitsesüsteem

Tööriist on varustatud tööriista või aku kaitsesüsteemiga. Süsteem lülitab mootori automaatselt välja, et pikendada tööriista ja aku tööiga. Tööriist seiskub käitamise ajal automaatselt, kui tööriista või aku kohta kehtib üks järgmistest tingimustest.

Ülekoormuskaitse

Kui akut kasutatakse viisil, mis põhjustab ebanormaalselt kõrget voolutaset, siis seiskub tööriist automaatselt ja näidikupaneelil kuvatakse vastav märgutuli. Sel juhul lülitage tööriist välja ja lõpetage töö, mis põhjustas tööriista ülekoormuse. Pärast seda käivitage tööriist uuesti.

Ülekuumenemiskaitse

Kui tööriist või aku on üle kuumenenud, seiskub tööriist automaatselt ja näidikupaneelil kuvatakse vastav tõrkenumber. Laske sellisel juhul tööriistal ja akul enne tööriista uuesti sisselülitamist jahtuda.

Ülelaadimiskaitse

Kui aku mahutavus ei ole piisav, seiskub tööriist automaatselt ja näidikupaneelil kuvatakse vastav tõrkenumber. Sellisel juhul eemaldage aku tööriistast ja laadige akut.

Toitelüliti

⚠️ETTEVAATUST: Kui lülitate toite sisse, ärge viige oma jäseseid või nägu kunagi sidumiskoha või tööriista otsas pöörlevate osade lähedale. Muidu võite end vigastada.

⚠️ETTEVAATUST: Kui toide on sisse lülitatud, ärge puudutage kunagi sidumiskohta või tööriista otsas pöörlevaid osasid. Muidu võite end vigastada.

⚠️ETTEVAATUST: Enne akukasseti sisestamist eemaldage kindlasti oma sõrmed lüliti päästikult ja lukustage päästik. Kui sisestate akukassetti lüliti päästiku tõmbamise ajal, võib tagajärjeks olla õnnetus, kui kogemata tehakse traadi sidumine.

► **Joon.3**

Kui vajutate toitenuppu, lülitub toide sisse ja sidumisrežiimi tuli süttib. Selleks et tööriist oma esialgsel asendil reguleeriks, töötab see ajutiselt. Kui reguleerimine on lõpetatud, peatub tööriist automaatselt. Kui vajutate toitenuppu uuesti, lülitub toide välja ja sidumisrežiimi tuli kustub.

► **Joon.4:** 1. Sidumisrežiimi tuli 2. Toitenupp

MÄRKUS: Tööriistal on automaatse väljalülitamise funktsioon. Kui lüliti päästikut ei tõmmata 10 minutit, lülitatakse tööriist automaatselt välja, et vähendada aku energiatarvet.

MÄRKUS: Tööriista taaskäivitamiseks lülitage toide uuesti sisse.


Režiimi vahetamise nupp

Kui toide on sisse lülitatud ja sidumisrežiimi tuli põleb, saate režiimi vahetamise nupuga valida ühekordse käivitamise režiimi või pideva käivitamise režiimi. Kui lülitate toide uuesti sisse, käivitub tööriist režiimis, mis valiti viimasena.

► **Joon.5:** 1. Režiimi vahetamise nupp 2. Ühekordse käivitamise režiim 3. Pideva käivitamise režiim

Lüliti funktsioneerimine

⚠️HOIATUS: Kontrollige alati enne akukasseti tööriista külge paigaldamist, kas lüliti päästik funktsioneerib nõuetekohaselt ja liigub lahtilaskmisel tagasi väljalülitatud asendisse.

⚠️ETTEVAATUST: Kui te tööriista parajasti ei kasuta, vajutage päästikuluku nuppu poolelt  et lukustada lüliti päästik väljalülitatud asendisse.

► **Joon.6:** 1. Lüliti päästik 2. Päästikuluku nupp

Selleks et lüliti päästikut poleks võimalik juhuslikult vajutada, on tööriistal päästikuluku nupp. Tööriista käivitamiseks vajutage päästikuluku nuppu A poolelt ning vajutage lüliti päästikut. Seiskamiseks vabastage lüliti päästik. Pärast kasutamist vajutage päästikuluku nuppu B-poolelt.

Kui tõmbate lüliti päästikut, teeb tööriist järgmise järjekordse toimingu ning tööriist peatub automaatselt.

1. Söötke traati.
2. Lõigake traat.
3. Konks hoiab ja väänab traati.
4. Konks läheb tagasi esialgsesse asendisse.

Sidumistugevuse seadistamine

⚠ETTEVAATUST: Enne reguleerimise alustamist lukustage kindlasti päästik. Kui lülitate toite sisse, ärge viige oma jäsmeid või nägu kunagi sidumiskoha või tööriista otsas pöörlevate osade lähedale. Muidu võite end vigastada.

▶ Joon.7

Saate sidumistugevuse seadistada, reguleerides sidumistugevuse reguleerimisnuppu. Sidumistugevust näidatakse kuvapaneelil.

▶ **Joon.8:** 1. Sidumistugevuse reguleerimisnupp
2. Kuvapaneel

Kui traat on murdunud, kaob sidumistugevus. Pärast sidumist kontrollige väändunud osa katkimineku suhtes. Kui traat on murdunud, reguleerige sidumistugevust, kasutades sidumistugevuse reguleerimisnuppu, ja siduge sarrusevardad uuesti.

Aku jääkmahutavuse teavitus

Kui akupinge langeb alla nõutud taseme, lõpetab tööriist töötamise, kõlab veasignaali ja kuvapaneelile ilmub number „4“. Veasignaali jätkub, kuni toide välja lülitatakse.

⚠MÄRKUS: Kui ümbritsev temperatuur on väga madal, võib veasignaali kõlada isegi siis, kui akul on piisavalt mahutavust.

KOKKUPANEK

⚠ETTEVAATUST: Kandke alati hoolt selle eest, et tööriist oleks enne igasuguseid hooldustöid välja lülitatud ja akukassett eemaldatud.

Sidumistraadi laadimine (traadirull)

⚠ETTEVAATUST: Enne sidumistraatide ja tarvikute kinnitamist või lahtivõtmist lülitage toide kindlasti välja, lukustage päästik ja eemaldage akukassett. Muidu võib toimuda õnnetus.

TÄHELEPANU: Muude kui Makita autentsete sidumistraatide kasutamine võib põhjustada tööriista talitlushäireid.

1. Lükake vabastushooba ja lukustage see lukustushoovaga.
▶ **Joon.9:** 1. Vabastushoob 2. Lukustushoob

Kui lükkate vabastushooba, luuakse vasak- ja parempoolse toite ülekande vahele ava.

▶ **Joon.10:** 1. Vabastushoob 2. Lukustushoob
3. Toiteaadised

2. Avage rulli kate.
▶ **Joon.11:** 1. Rulli kate

3. Kinnitage traadirull tööriista külge joonisel näidatud suunas.
▶ **Joon.12:** 1. Traadirull

TÄHELEPANU: Kinnitage traadirull kindlasti joonisel näidatud suunas. Kui see kinnitatakse muul viisil, siis traat vabastatakse ja see võib keerdu minna.

4. Võtke traadi ots rulli konksu küljest lahti.

▶ **Joon.13:** 1. Konks

5. Tehke traadi ots sirgeks ja viige traat läbi juhiku.

▶ **Joon.14:** 1. Juhik

MÄRKUS: Kui traadi ots on läbi juhiku viimise ajal paindunud, võib traat tööriista kinni jääda.

MÄRKUS: Kui kasutate traadi juhikust läbiviimisel jõudu, võib traat kinni jääda.

6. Tõmmake traat välja umbes 10 mm lati otsast.

▶ **Joon.15:** 1. Latt 2. Umbes 10 mm

TÄHELEPANU: Kui väljatõmmatud traadi pikkus ei ole piisav, võib traat olla sidumisel murdunud või on sidumistugevus olla rikutud ebapiisava ümbermäärimise tõttu.

7. Kerige traat tagasi, et selle lõtk kõrvaldada.

▶ **Joon.16**

8. Vabastage lukustushoob. Vabastatud hoob liigub tagasi ning traati hoiavad vasak- ja parempoolsed ülekanded.

▶ **Joon.17:** 1. Vabastushoob 2. Lukustushoob

▶ **Joon.18:** 1. Ülekanne 2. Traadi tee 3. Traat

TÄHELEPANU: Kui lukustushoob vabastatakse ning vasak- ja parempoolne ülekanne teineteisega kohtuvad, moodustavad ülekannete sooned ava. Ava muutub traadi teeks. Veenduge, et traat jookseks mööda seda teed.

9. Sulgege rulli kate.

▶ **Joon.19:** 1. Rulli kate

TÖÖRIISTA KASUTAMINE

Kontrollimine enne töötamist

⚠ETTEVAATUST: Kui tööriistal on mehhanismiga seotud probleem, ärge kasutage seda. Kui jätkate selle kasutamist, võib juhtuda õnnetus.

Enne tööriista kasutamist veenduge, et ohutusmehhanism toimiks normaalselt. Kui tööriist töötab ilma toimiva ohutusmehhanismita, lõpetage tööriista kasutamine kohe. Pöörduge remontimiseks kohaliku Makita hoolduskeskuse.

Päästiku luku kontrollimine

Tööriistal on päästiklukk, et hoida ära tööriista töötamine, kui te ei kavatses seda kasutada. Lukustage päästik ja tehke kindlaks, et lüliti päästikut ei saaks tõmmata.

Koolutusjuhiku kontrollimine

Selleks et takistada operaatoril kogemata tööriista otsas sidumis- või pöörlevaid osasid puudutamast, ei tööta tööriist avatud koolutusjuhikuga isegi juhul, kui lüliti päästikut tõmmatakse. Kui operaator vabastab oma sõrme lüliti päästikult ja sulgeb koolutusjuhiku, saab tööriist töötada.

▶ **Joon.20:** 1. Koolutusjuhik

Kontrollige koolutusjuhiku avatud/ suletud tuvastust

Eemaldage sidumistraat, kontrollige tööriista töötamist järgmiste sammude järgi ja veenduge, et tööriist ei käivituks, kui koolutusjuhik on avatud.

1. Lülitage toide välja ja jätke koolutusjuhik avatuks.
2. Lülitage toide sisse.

Kui tööriist ei tööta ja kuvapaneelil on näha väärtus „2“, on tööriista olek normaalne. Lülitage toide välja ja sulgege koolutusjuhik. Kui tööriist töötab ja kuvapaneelil ei näidata tärkeid, on tööriista olek ebanormaalne. Lõpetage kohe tööriista kasutamine ja paluge kohalikul Makita hoolduskeskusel tööriist remondida.

⚠ETTEVAATUST: Kui avate koolutusjuhiku ja lülitate toite sisse, et blokeeringut kontrollida, hoidke koolutusjuhikut nii, nagu on joonisel näidatud. Ärge viige oma jäsemeid või nägu kunagi sidumiskoha või tööriista otsas pöörlevate osade lähedale. Muidu võite end vigastada.

► Joon.21

Sidumistöö

⚠ETTEVAATUST: Enne akukasseti sisestamist eemaldage kindlasti oma sõrmed lüliti päästikult ja lukustage päästik. Kui sisestate akukasseti lüliti päästiku tõmbamise ajal, võib tagajärjeks olla õnnetus, kui kogemata tehakse traadi sidumine.

⚠ETTEVAATUST: Kui lülitate toite sisse, ärge viige oma jäsemeid või nägu kunagi sidumiskoha või tööriista otsas pöörlevate osade lähedale. Muidu võite end vigastada.

⚠ETTEVAATUST: Kui toide on sisse lülitatud, ärge puudutage kunagi sidumiskohta või tööriista otsas pöörlevaid osasid. Muidu võite end vigastada.

► Joon.22

Ettevalmistus enne töötamist

1. Veenduge, et akukassett oleks eemaldatud ja päästik lukustatud.
2. Sisestage akukassett tööriista ja lülitage toide sisse. Kui lülitate toite sisse, lõigatakse traat automaatselt.

TÄHELEPANU: Veenduge, et sidumisrežiimi tuli süttiks toite sisselülitamisel. Kui see ei sütti, laadige aku.

3. Vabastage päästiku lukk.

► Joon.23: 1. Päästikuluku nupp 2. Lüliti päästik
3. Toitenupp 4. Sidumisrežiimi tuli

Ühekordse käivitamise režiim

1. Lükake latt tugevalt vastu sidumispunkti. Lükake tööriist vertikaalselt vastu sarrusevardaid ja suruge latt vastu punkti, kus sarrusevardad ristuvad 45-kraadise nurga all.

► Joon.24

2. Tõmmake lüliti päästikut ühe korra.
3. Traat söödetakse ja lõigatakse automaatselt.
4. Konks hoiab ja väänab traati ning pärast juhtmete sidumist läheb tagasi algasendisse.

► Joon.25

5. Pärast sidumist olge ettevaatlik, et latt ei jääks sarrusevarraste külge kinni, ja tõmmake tööriist üles.

⚠ETTEVAATUST: Kui traat on tööriista otsa siduva osa külge klammerdunud, lülitage tööriista toide välja. Lukustage päästik, eemaldage akukassett ning eemaldage traat tööriistade, näiteks näpits- või traaditangide abil.

► Joon.26

Pideva käivitamise režiim

1. Lülitage tööriista režiim ühekordse käivitamise režiimist pideva käivitamise režiimi, kasutades režiimi vahetamise nuppu.

► Joon.27: 1. Režiimi vahetamise nupp

2. Vabastage päästiku lukk.

3. Lüliti päästikut tõmmates lükake tööriist vertikaalselt vastu sarrusevardaid ja suruge latt vastu punkti, kus sarrusevardad ristuvad 45-kraadise nurga all. Suruge kontaktplaat tugevalt vastu sidumispunkti. Traat seotakse.

► Joon.28: 1. Kontaktplaat

4. Pärast sidumist olge ettevaatlik, et latt ei jääks sarrusevarraste külge kinni, ja tõmmake tööriist üles.

► Joon.29

Ettevaatusabinõud töötamisel

- Kui viite lati traadi sidumise ajal sidumisasendist ära, jääb traat konksu külge kinni ja selle tagajärjeks võib olla vale sidumine.
- Jätkake tööriista surumist vastu sarrusevardaid, kuni traadi sidumine on lõpetatud.
- Ärge liiutage järgmise sidumispunkti juurde enne, kui pooleli olev traadi sidumine on lõpetatud.
- Tööriista otsa pöörlev osa (konks) väänab traadi sidumise ajal traati. Hoidke tugevat haaret, et tööriist teie keha ei tõmbaks.
- Ärge puudutage traadi sidumise ajal traate.
- Kui kordate traadi sidumist ühekordse käivitamise režiimil, vabastage oma sõrm täielikult lüliti päästikult. Seejärel jätkake lüliti päästiku kasutamist.
- Kui tõmbate lüliti päästikut, aga traat on otsas, kuvatakse veateade. Lisage uus sidumistraat ja käivitage tööriist uuesti.

Sidumisotsad

- Kallutage tööriist 45° nurga all ristatud sarrusevarraste ja siduge alternatiivselt nii, nagu on joonisel näidatud.

► Joon.30

- Vältige sarrusevarraste rikutud välimusega osasid.

► Joon.31

- Kui sidumistugevus on ebapiisav, muutke sidumise suunda ja tehke sidumine kaks korda nii, et sidumi tugevus suureneb.

► Joon.32

TÄHELEPANU: Teist sidumist tehes painutage esimese sidumise ots enne teise sidumise tegemist. Muidu võib traat olla teist korda tagasi tõrjutud. See võib tööriista otsa külge kinni jääda ja konks võib saada kahjustusi.

Sidumistraatide vahetamine

⚠ETTEVAATUST: Traadi vahetamisel lülitage toide kindlasti välja, lukustage päästik ja eemaldage akukassett. Muidu võib toimuda õnnetus.

1. Kui traat on ära kasutatud, kõlab veasignaal ja kuvatakse tõrge „1“.
2. Lukustage päästik, lülitage toide välja ja eemaldage akukassett.
3. Lükake vabastushooba ja lukustage see lukustushoovaga.
▶ **Joon.33:** 1. Vabastushoob 2. Lukustushoob
4. Eemaldage traadirull tööriista küljest.

MÄRKUS: Kui traat on normaalselt ära kasutatud, jääb rullile kerituks umbes 20 cm traati. Sellises seisus asendage traadirull uuega.

Kui traadirulli on tööriistalt raske eemaldada, järgige alltoodud samme.

1. Sisestage akukassett tööriista ja lülitage toide sisse. Tööriist söötab traati ja lõikab selle automaatselt.
2. Lukustage päästik, lülitage toide välja ja eemaldage akukassett.
3. Eemaldage murtud traadid, kasutades näiteks näpits- või traaditange.

HOOLDUS

⚠ETTEVAATUST: Enne kontroll- või hooldustoimingute tegemist kandke alati hooft selle eest, et tööriist oleks välja lülitatud ja akukassett korpuse küljest eemaldatud.

TÄHELEPANU: Ärge kunagi kasutage bensiini, vedeldit, alkoholi ega midagi muud sarnast. Selle tulemuseks võib olla luitumine, deformatsioon või pragunemine.

Toote OHUTUSE ja TÖÖKINDLUSE tagamiseks tuleb vajalikud remonttööd ning muud hooldus- ja reguleerimistööd lasta teha Makita volitatud teeninduskeskustes või tehase teeninduskeskustes. Alati tuleb kasutada Makita varuosi.

Lõikuri sektsiooni puhastamine

Tööriista kasutamise ajal võivad tolm ja traadiosakesed lõikuri sektsiooni kinni kleepuda. Sellisel juhul puhastage lõikurit järgmise protseduuri kohaselt. Lõikurit tuleks puhastada iga kord pärast karbitäie rulli ära kasutamist. (50 tk)

Traatharja kasutamine

1. Avage rulli kate.
▶ **Joon.34:** 1. Rulli kate
2. Lükake vabastushooba ja lukustage see lukustushoovaga.
▶ **Joon.35:** 1. Vabastushoob 2. Lukustushoob

3. Viige traathari läbi juhiku.

Hoidke traatharja sisestamisel lühikesena ja lükake see vähehaaval juhikusse.

- ▶ **Joon.36:** 1. Traathari
- ▶ **Joon.37:** 1. Ülekanne 2. Juhik 3. Traathari

4. Lükake traatharja sisse nii kaua, kuni see ulatub umbes 10 mm lati otsast välja. Seejärel tõmmake traathari välja. Toimingut ei ole vaja korrata.

- ▶ **Joon.38:** 1. Latt 2. Traathari

5. Sulgege rulli kate.

- ▶ **Joon.39:** 1. Rulli kate

Tolmueemalduspüstoli kasutamine

Avage rulli kate, lükake vabastushooba ja lukustage see lukustushoovaga. Seejärel viige tolmueemalduspüstol juhiku lähedale ja puhuge õhku. Veenudge, et õhk tuleks lati otsast välja.

- ▶ **Joon.40:** 1. Tolmueemalduspüstol 2. Juhik

Lahtivõtmisega puhastamine

Kui lõikuri sektsioon on ummistunud või traat on sinna kinni jäänud, võtke selle osad lahti ja puhastage ära.

Lahtivõtmine ja puhastamine

1. Vabastage poldid A ja B tööriista pakendis oleva kuuskantvõtmega.

- ▶ **Joon.41:** 1. Kuuskantvõti

- ▶ **Joon.42:** 1. Polt A 2. Polt B 3. Kontaktplaadi kate 4. Traadijuhik B

TÄHELEPANU: Ärge eemaldage jõuga ühtki polti, mida ei saa kuuskantvõtmega eemaldada.

2. Tõmmake kontaktplaadi kate noole suunas üles ja eemaldage see. Polt B eemaldatakse samal ajal.

- ▶ **Joon.43:** 1. Kontaktplaadi kate 2. Polt B

3. Eemaldage polt A ja eemaldage traadijuhik B.

- ▶ **Joon.44:** 1. Polt A 2. Traadijuhik B

4. Pöörake traadijuhik B ümber ja puhastage see seestpoolt.

- ▶ **Joon.45**

5. Eemaldage lõikur A, lõikur B, ülemine plaat ja ühendusvarras A varda plaadilt A. Seejärel puhastage nad.

- ▶ **Joon.46:** 1. Lõikur B 2. Ühendushoob A 3. Lõikur A 4. Vardaplaat A 5. Ülemine plaat

Kokkupanek

Kui puhastamine on lõpetatud, pange osad kokku järgmise protseduuri kohaselt.

1. Paigaldage lõikur A ja ühendusvarras A nii, et nad sobiksid vardaplaadi A kujuga.

- ▶ **Joon.47:** 1. Lõikur A 2. Ühendushoob A 3. Vardaplaat A

2. Paigaldage lõikur B ja ülemine plaat vardaplaadile A. (Paigaldage lõikur B lõikurile A ja ühendusvardale A.)

- ▶ **Joon.48:** 1. Lõikur B 2. Ülemine plaat 3. Vardaplaat A 4. Lõikur A 5. Ühendushoob A

TÄHELEPANU: Suunake lõikuri B väljaulatuv osa allapoole ja paigaldage lõikur joonise kohaselt.

3. Joondage tööriista toru traadijuhik B sees oleva soonega ja pange nad kokku.

► **Joon.49:** 1. Toru 2. Soon 3. Traadijuhik B

4. Pange traadijuhik B paika, pingutades ajutiselt polti A.

► **Joon.50:** 1. Polti A 2. Traadijuhik B

5. Paigaldage kontaktplaadi kate noole suunas.

► **Joon.51:** 1. Kontaktplaadi kate

6. Pange traadijuhik B ja kontaktplaadi kate kindlalt paika, pingutades polti A ja polti B.

► **Joon.52:** 1. Traadijuhik B 2. Kontaktplaadi kate 3. Polti A 4. Polti B

7. Pärast kokkupanekut veenduge, et kontaktplaat saaks liikuda nii, nagu on joonisel näidatud.

► **Joon.53:** 1. Kontaktplaat

MÄRKUS: Kui kontaktplaat jääb kinni, suruge seda, nagu on joonisel näidatud.

► **Joon.54**

Veateade ja -signaal

▲ETTEVAATUST: Kontrollimise ajal lukustage kindlasti päästik, lülitage toide välja ja eemaldage akukassett. Muidu võib toimuda õnnetus.

▲ETTEVAATUST: Kui lülitate toite sisse, ärge viige oma jäsemeid või nägu kunagi sidumiskoha või tööriista otsas pöörlevate osade lähedale. Muidu võite end vigastada.

▲ETTEVAATUST: Kui toide on sisse lülitatud, ärge puudutage kunagi sidumiskohta või tööriista otsas pöörlevaid osasid. Muidu võite end vigastada.

▲ETTEVAATUST: Kui kuulete veasignaali või kui tööriist ei toimi õigesti, lõpetage kohe tööriista kasutamine.

Veasignaal ja kuva

Kui esineb tõrge, kõlab veasignaal ja kuvapaneelil näidatakse tõrke numbrit. Vaadake järgmist tabelit ja toimige vastavalt. Kui tõrge püsib, pöörduge parandamiseks Makita volitatud hoolduskeskusse.

Kuva	Probleemi kirjeldus	Võimalik põhjus	Lahendus
1	Tööriist lõpetab töötamise.	Traat on ära kasutatud.	Laadige uus sidumistraat.
		Sidumistraat ei ole laetud.	Laadige sidumistraat.
		Traadi söötmine ebaõnnestus.	Kontrollige sidumistraadi suunda. Laadige traat maha ja laadige see uuesti. Puhastage traadi tee.
2	Tööriist lõpetab töötamise.	Koolutusjuhik on avatud.	Sulgege koolutusjuhik.
3	Tööriist ei tee sidumist pideva rakendamise režiimis.	Kontaktplaat on kinni jäänud.	Vabastage kontaktplaat.
4	Tööriist ei käivitu. Tööriist lõpetab töötamise.	Aku on tühi. Akukasseti temperatuur on ebanormaalselt kõrge.	Laadige aku. Jahutage akukassett. Vahetage akukassett laetud aku vastu.
5	Tööriist lõpetab töötamise.	Mootor on ülekoormatud.	Tehke mootori pöörlemise takistuse põhjus kindlaks ja lahendage probleem.
		Mootori rike	
6	Tööriist lõpetab töötamise.	Tööriista temperatuur on ebanormaalselt kõrge.	Jahutage tööriist.
7	Tööriist ei käivitu. Tööriist lõpetab töötamise.	Tööriista rike	Laske parandustööd teha volitatud Makita hoolduskeskuses.

VALIKULISED TARIKUD

▲ETTEVAATUST: Neid tarvikuid ja liseseadiseid on soovitatav kasutada koos Makita tööriistaga, mille kasutamist selles kasutusjuhendis kirjeldatakse. Muude tarvikute ja liseseadiste kasutamisega kaasneb vigastada saamise oht. Kasutage tarvikuid ja liseseadiseid ainult otstarbekohaselt.

Saate vajaduse korral kohalikust Makita teeninduskeskusest lisateavet nende tarvikute kohta.

- Sidumistraat
- Traathari
- Pikenduskaepide
- Makita algupärane aku ja laadija

MÄRKUS: Mõned nimekirjas loetletud tarvikud võivad kuuluda standardvarustusse ning need on lisatud tööriista pakendisse. Need võivad riigiti erineda.

ТЕХНИЧЕСКИЕ ХАРАКТЕРИСТИКИ

Модель:		DTR180
Вязальная проволока (дополнительная принадлежность)		ø0,8 мм
Максимально допустимый для обвязывания диаметр арматурного стержня		От #3 × #3 до (#4 × 2) × (#4 × 2) От 10 мм × 10 мм до (13 мм × 2) × (13 мм × 2)
Приблизительное количество стяжек на одной катушке	Вязальная проволока из отожженного железа	Приблизительно 120 стяжек
	Оцинкованная вязальная проволока	Приблизительно 120 стяжек
	Вязальная проволока с полимерным покрытием	Приблизительно 105 стяжек
Общая длина		304 мм
Номинальное напряжение		14,4/18 В пост. тока
Масса нетто		2,3 – 2,6 кг

- Благодаря нашей постоянно действующей программе исследований и разработок указанные здесь технические характеристики могут быть изменены без предварительного уведомления.
- Технические характеристики и аккумуляторный блок могут отличаться в зависимости от страны.
- Масса может отличаться в зависимости от дополнительного оборудования. Обратите внимание, что блок аккумулятора также считается дополнительным оборудованием. В таблице представлены комбинации с наибольшим и наименьшим весом в соответствии с процедурой EPTA 01/2014.

Подходящий блок аккумулятора и зарядное устройство

Блок аккумулятора	Модель 14,4 В пост. тока	BL1415N / BL1430B / BL1440 / BL1460B
	Модель 18 В пост. тока	BL1815N / BL1820B / BL1830B / BL1840B / BL1850B / BL1860B
Зарядное устройство		DC18RC / DC18RD / DC18RE / DC18SD / DC18SE / DC18SF / DC18SH

- В зависимости от региона проживания некоторые блоки аккумуляторов и зарядные устройства, перечисленные выше, могут быть недоступны.

⚠ ОСТОРОЖНО: Используйте только перечисленные выше блоки аккумуляторов и зарядные устройства. Использование других блоков аккумуляторов и зарядных устройств может привести к травме и/или пожару.

Сочетание арматурных стержней, обвязку которых можно выполнить

Сочетание из 2 арматурных стержней

	#3 (10 мм)	#4 (13 мм)	#5 (16 мм)
#3 (10 мм)	✓	✓	✓
#4 (13 мм)	✓	✓	✓
#5 (16 мм)	✓	✓	✓

Сочетание из 3 арматурных стержней

	#3 × #3 (10 мм × 10 мм)	#4 × #4 (13 мм × 13 мм)
#3 (10 мм)	✓	✓
#4 (13 мм)	✓	✓
#5 (16 мм)	✓	-

Сочетание из 4 арматурных стержней

	#3 × #3 (10 мм × 10 мм)	#4 × #4 (13 мм × 13 мм)
#3 × #3 (10 мм × 10 мм)	✓	✓
#4 × #4 (13 мм × 13 мм)	✓	✓

ПРИМЕЧАНИЕ: Если между арматурными стержнями имеется промежуток или если инструмент при работе расположить неправильно, имеется вероятность того, что стержни не будут обвязаны.

Символы

Ниже приведены символы, которые могут использоваться для обозначения оборудования. Перед использованием убедитесь в том, что вы понимаете их значение.



Прочитайте руководство по эксплуатации.



Надевайте защитные очки.



Берегите от дождя.



При работе с инструментом держите руки на расстоянии от катушки с проволокой или проволоки.



Держите руки на расстоянии от рабочего конца инструмента.



Только для стран ЕС
Не выбрасывайте электрооборудование или аккумуляторы вместе с бытовым мусором!
В соответствии с европейскими директивами об утилизации электрического и электронного оборудования, о батареях и аккумуляторах, а также использованных батареях и аккумуляторах и их применении в соответствии с местными законами электрооборудование, батареи и аккумуляторы, срок эксплуатации которых истек, должны утилизироваться отдельно и передаваться для утилизации на предприятие, соответствующее применяемым правилам охраны окружающей среды.

Назначение

Инструмент предназначен для обвязки арматурных стержней.

Шум

Типичный уровень взвешенного звукового давления (A), измеренный в соответствии с EN60745-2-18 (EN12549):

Уровень звукового давления (L_{pA}): 78 дБ (A)

Погрешность (K): 3 дБ (A)

Уровень шума при выполнении работ может превышать 80 дБ (A).

ПРИМЕЧАНИЕ: Заявленное значение распространения шума измерено в соответствии со стандартной методикой испытаний и может быть использовано для сравнения инструментов.

ПРИМЕЧАНИЕ: Заявленное значение распространения шума можно также использовать для предварительных оценок воздействия.

⚠ОСТОРОЖНО: Используйте средства защиты слуха.

⚠ОСТОРОЖНО: Распространение шума во время фактического использования электроинструмента может отличаться от заявленного значения в зависимости от способа применения инструмента и в особенности от типа обрабатываемой детали.

⚠ОСТОРОЖНО: Обязательно определите меры безопасности для защиты оператора, основанные на оценке воздействия в реальных условиях использования (с учетом всех этапов рабочего цикла, таких как выключение инструмента, работа без нагрузки и включение).

Вибрация

Суммарное значение вибрации (сумма векторов по трем осям), определенное в соответствии с EN60745-2-18 (ISO8662-11):

Рабочий режим: Обвязывание металлического стержня
Распространение вибрации (a_{h1}): 2,5 m/s^2 или менее
Погрешность (K): 1,5 m/s^2

ПРИМЕЧАНИЕ: Заявленное общее значение распространения вибрации измерено в соответствии со стандартной методикой испытаний и может быть использовано для сравнения инструментов.

ПРИМЕЧАНИЕ: Заявленное общее значение распространения вибрации можно также использовать для предварительных оценок воздействия.

⚠ОСТОРОЖНО: Распространение вибрации во время фактического использования электроинструмента может отличаться от заявленного значения в зависимости от способа применения инструмента и в особенности от типа обрабатываемой детали.

⚠ОСТОРОЖНО: Обязательно определите меры безопасности для защиты оператора, основанные на оценке воздействия в реальных условиях использования (с учетом всех этапов рабочего цикла, таких как выключение инструмента, работа без нагрузки и включение).

Декларация о соответствии ЕС

Только для европейских стран

Декларация о соответствии ЕС включена в руководство по эксплуатации (Приложение А).

МЕРЫ БЕЗОПАСНОСТИ

Общие рекомендации по технике безопасности для электроинструментов

⚠ ОСТОРОЖНО: Ознакомьтесь со всеми представленными инструкциями по технике безопасности, указаниями, иллюстрациями и техническими характеристиками, прилагаемыми к данному электроинструменту. Несоблюдение каких-либо инструкций, указанных ниже, может привести к поражению электрическим током, пожару и/или серьезной травме.

Сохраните брошюру с инструкциями и рекомендациями для дальнейшего использования.

Термин "электроинструмент" в предупреждениях относится ко всему инструменту, работающему от сети (с проводом) или на аккумуляторах (без провода).

Правила техники безопасности при эксплуатации аккумуляторного вязальщика арматуры

1. **Запрещено** наводить инструмент на человека. **Запрещено приближать** руки или ноги к рабочему концу инструмента. Если случайно активировать инструмент, когда он касается кого-либо, это приведет к непредвиденному несчастному случаю.
2. **Не вставляйте катушку с проволокой, когда питание инструмента включено.** В противном случае вы можете запутаться в проволоке и получить травму.
3. **Не используйте инструмент, не закрыв крышку отсека для катушки.** В противном случае катушка может отсоединиться и стать причиной несчастного случая.
4. **Перед обвязыванием арматурных стержней убедитесь в том, что диаметр этих стержней является допустимым.**
5. **Надевайте одежду с плотно прилегающими кромками и рукавами. Не работайте, если вокруг вашей шеи обмотано полотенце или другой предмет.** В противном случае эти предметы могут попасть во вращающуюся часть и стать причиной несчастного случая.
6. **Перед использованием инструмента обязательно проверьте указанные далее моменты.**
 - Убедитесь в том, что детали инструмента не повреждены.
 - Убедитесь в том, что все болты затянуты.
 - Убедитесь в том, что предохранительные устройства работают нормально.

7. **В случае обнаружения неполадок немедленно прекратите использование инструмента. Не пытайтесь** отремонтировать инструмент самостоятельно. **Обратитесь в местный сервисный центр Makita для ремонта.** Использование инструмента в некомплектном состоянии может привести к несчастному случаю.
8. **При установке блока аккумулятора не забудьте заблокировать триггер и не кладите палец на триггер.** Неправильная эксплуатация может привести к несчастному случаю.
9. **При обвязывании арматурных стержней старайтесь не допускать их смещения.** В случае смещения арматурного стержня во время обвязывания вы можете получить травму.
10. **Не прикасайтесь к проволоке во время обвязывания.** В противном случае вы можете запутаться в проволоке и получить травму.
11. **Не приближайте руки к месту обвязки во время обвязывания.** В противном случае вы можете запутаться в проволоке и получить травму.
12. **Крепко удерживайте рукоятку инструмента во время обвязывания.** В противном случае это может привести к выкручиванию запястья или смещению тела, что может привести к травме.
13. **Переходите к следующей точке обвязки только после того, как будет полностью завершено обвязывание в текущей точке.** В противном случае вы можете получить травму.
14. **Следите за концом проволоки во время обвязывания.** В противном случае ваша рука может запутаться в конце проволоки, что может привести к травме.
15. **Не прикасайтесь к контактной пластине во время обвязывания. Если необходимо коснуться контактной пластины, не забудьте заблокировать триггер или выключить переключатель питания и извлечь блок аккумулятора.** В противном случае вы можете получить травму.
16. **После завершения обвязывания проволокой подайте инструмент вертикально вверх.** В противном случае рука может застрять в арматурных стержнях, что может привести к несчастному случаю.
17. **Не роняйте инструмент и не допускайте ударов по нему. Если перед началом работы инструмент был подвергнут сильному удару, убедитесь в том, что инструмент не поврежден, на нем не появилось трещин, и что защитные устройства работают нормально.** В противном случае возможен несчастный случай.
18. **При возникновении какой-либо из следующих ситуаций заблокируйте триггер, выключите питание и извлеките блок аккумулятора из инструмента.** Если инструмент работает неправильно, это может привести к несчастному случаю.
 - Если при установке блока аккумулятора слышен звук работающего инструмента.
 - При обнаружении перегрева или ненормальных запахах или шумах.

- Когда вы принимаете меры, реагируя на отображаемый код ошибки. (Обратитесь в местный сервисный центр Makita для ремонта.)
 - При установке или извлечении катушки с проволокой.
 - Когда во время работы вы перемещаетесь, удерживая инструмент.
 - Когда инструмент не используется.
 - Когда вы проверяете или настраиваете инструмент.
 - При удалении скрученной проволоки.
19. При работе на строительных лесах всегда обеспечивайте их устойчивость и занимайте такое положение, которое позволит поддерживать баланс. Если строительные леса неустойчивы, это может привести к несчастному случаю.
 20. Находясь на крыше или в аналогичных местах, перемещайтесь во время работы в направлении вперед, чтобы видеть, куда вы двигаетесь. Если во время работы вы будете двигаться назад, вы можете потерять опору, что может привести к несчастному случаю.
 21. При работе на большой высоте убедитесь в том, что внизу никто не находится, и следите за тем, чтобы не уронить инструмент во время работы. Падение инструмента с высоты может привести к несчастному случаю.
 22. Не используйте инструмент для каких-либо иных работ, кроме обвязки проволокой. В противном случае возможен несчастный случай.
 23. Используйте только оригинальную проволоку производства Makita. Если проволока не используется в течение длительного периода времени, она может заржаветь. Не используйте ржавую проволоку. В противном случае это может стать причиной несчастного случая.
 24. После обвязки убедитесь в отсутствии обрыва проволоки из-за чрезмерного скручивания. Если какая-либо проволока сломана, прочность обвязки будет утрачена. Отрегулируйте усилие обвязки и повторите процедуру обвязывания стержней.
 25. Надежно придерживайте арматурные стержни рукой. Если стержни не зафиксированы надежно, между ними образуется промежуток, что отрицательно повлияет на прочность обвязки.

Важные правила техники безопасности для работы с аккумуляторным блоком

1. Перед использованием аккумуляторного блока прочитайте все инструкции и предупреждающие надписи на (1) зарядном устройстве, (2) аккумуляторном блоке и (3) инструменте, работающем от аккумуляторного блока.
2. Не разбирайте блок аккумулятора и не меняйте его конструкцию. Это может привести к пожару, перегреву или взрыву.
3. Если время работы аккумуляторного блока значительно сократилось, немедленно прекратите работу. В противном случае, может возникнуть перегрев блока, что приведет к ожогам и даже к взрыву.
4. В случае попадания электролита в глаза промойте их обильным количеством чистой воды и немедленно обратитесь к врачу. Это может привести к потере зрения.
5. Не замыкайте контакты аккумуляторного блока между собой:
 - (1) Не прикасайтесь к контактам какими-либо токопроводящими предметами.
 - (2) Не храните аккумуляторный блок в контейнере вместе с другими металлическими предметами, такими как гвозди, монеты и т. п.
 - (3) Не допускайте попадания на аккумуляторный блок воды или дождя.
 Замыкание контактов аккумуляторного блока между собой может привести к возникновению большого тока, перегреву, возможным ожогам и даже поломке блока.
6. Не храните и не используйте инструмент и аккумуляторный блок в местах, где температура может достигать или превышать 50 °C (122 °F).
7. Не бросайте аккумуляторный блок в огонь, даже если он сильно поврежден или полностью вышел из строя. Аккумуляторный блок может взорваться под действием огня.
8. Запрещено вбивать гвозди в блок аккумулятора, резать, ломать, бросать, ронять блок аккумулятора или ударять его твердым предметом. Это может привести к пожару, перегреву или взрыву.
9. Не используйте поврежденный аккумуляторный блок.
10. Входящие в комплект литий-ионные аккумуляторы должны эксплуатироваться в соответствии с требованиями законодательства об опасных товарах.

При коммерческой транспортировке, например, третьей стороной или экспедитором, необходимо нанести на упаковку специальные предупреждения и маркировку.

В процессе подготовки устройства к отправке обязательно проконсультируйтесь со специалистом по опасным материалам. Также соблюдайте местные требования и нормы. Они могут быть строже.

Закройте или закрепите разомкнутые контакты и упакуйте аккумулятор так, чтобы он не перемещался по упаковке.
11. Для утилизации блока аккумулятора извлеките его из инструмента и утилизируйте безопасным способом. Выполняйте требования местного законодательства по утилизации аккумуляторного блока.
12. Используйте аккумуляторы только с продукцией, указанной Makita. Установка аккумуляторов на продукцию, не соответствующую требованиям, может привести к пожару, перегреву, взрыву или утечке электролита.

13. Если инструментом не будут пользоваться в течение длительного периода времени, извлеките аккумулятор из инструмента.
14. Во время и после использования блок аккумулятора может нагреваться, что может стать причиной ожогов или низкотемпературных ожогов. Будьте осторожны при обращении с горячим блоком аккумулятора.
15. Не прикасайтесь к контактам инструмента сразу после использования, поскольку они могут быть достаточно горячими, чтобы вызвать ожоги.
16. Не допускайте, чтобы обломки, пыль или земля прилипали к контактам, отверстиям и пазам на блоке аккумулятора. Это может привести к снижению эксплуатационных параметров, поломке инструмента или блока аккумулятора.
17. Если инструмент не рассчитан на использование вблизи высоковольтных линий электропередач, не используйте блок аккумулятора вблизи высоковольтных линий электропередач. Это может привести к неисправности, поломке инструмента или блока аккумулятора.
18. Храните аккумулятор в недоступном для детей месте.

СОХРАНИТЕ ДАННЫЕ ИНСТРУКЦИИ.

▲ВНИМАНИЕ: Используйте только фирменные аккумуляторные батареи Makita. Использование аккумуляторных батарей, не произведенных Makita, или батарей, которые были подвергнуты модификациям, может привести к взрыву аккумулятора, пожару, травмам и повреждению имущества. Это также автоматически аннулирует гарантию Makita на инструмент и зарядное устройство Makita.

Советы по обеспечению максимального срока службы аккумулятора

1. Заряжайте блок аккумуляторов перед его полной разрядкой. Обязательно прекратите работу с инструментом и зарядите блок аккумуляторов, если вы заметили снижение мощности инструмента.
2. Никогда не подзаряжайте полностью заряженный блок аккумуляторов. Перезарядка сокращает срок службы аккумулятора.
3. Заряжайте блок аккумуляторов при комнатной температуре в 10 - 40 °C (50 - 104 °F). Перед зарядкой горячего блока аккумуляторов дайте ему остыть.
4. Если блок аккумулятора не используется, извлеките его из инструмента или зарядного устройства.
5. Зарядите ионно-литиевый аккумуляторный блок, если вы не будете пользоваться инструментом длительное время (более шести месяцев).

ОПИСАНИЕ РАБОТЫ

▲ВНИМАНИЕ: Перед регулировкой или проверкой функций инструмента обязательно убедитесь, что он выключен и его аккумуляторный блок снят.

Установка или снятие блока аккумулятора

▲ВНИМАНИЕ: Обязательно выключайте инструмент перед установкой и извлечением аккумуляторного блока.

▲ВНИМАНИЕ: При установке и извлечении аккумуляторного блока крепко удерживайте инструмент и аккумуляторный блок. Если не соблюдать это требование, они могут выскользнуть из рук, что приведет к повреждению инструмента, аккумуляторного блока и травмированию оператора.

► **Рис.1:** 1. Красный индикатор 2. Кнопка 3. Блок аккумулятора

Для снятия аккумуляторного блока нажмите кнопку на лицевой стороне и извлеките блок.

Для установки блока аккумулятора совместите выступ блока аккумулятора с пазом в корпусе и задвиньте его на место. Устанавливайте блок до упора так, чтобы он зафиксировался на месте с небольшим щелчком. Если вы можете видеть красный индикатор на верхней части клавиши, блок аккумулятора не полностью зафиксирован на месте.

▲ВНИМАНИЕ: Обязательно устанавливайте блок аккумулятора до конца, чтобы красный индикатор не был виден. В противном случае блок аккумулятора может выпасть из инструмента и нанести травму вам или другим людям.













▲ВНИМАНИЕ: Не прилагайте чрезмерных усилий при установке аккумуляторного блока. Если блок не двигается свободно, значит он вставлен неправильно.




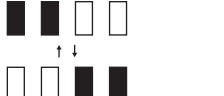
Индикация оставшегося заряда аккумулятора

Только для блоков аккумулятора с индикатором

► **Рис.2:** 1. Индикаторы 2. Кнопка проверки

Нажмите кнопку проверки на аккумуляторном блоке для проверки заряда. Индикаторы загорятся на несколько секунд.

Индикаторы			Уровень заряда
 Горит	 Выкл.	 Мигает	
			от 75 до 100%
			от 50 до 75%
			от 25 до 50%
			от 0 до 25%
			Зарядите аккумуляторную батарею.

Индикаторы			Уровень заряда
 Горит	 Выкл.	 Мигает	
			Возможно, аккумуляторная батарея неисправна.

ПРИМЕЧАНИЕ: В зависимости от условий эксплуатации и температуры окружающего воздуха индикация может незначительно отличаться от фактического значения.

ПРИМЕЧАНИЕ: Первая (дальняя левая) индикаторная лампа будет мигать во время работы защитной системы аккумулятора.

Система защиты инструмента/аккумулятора

На инструменте предусмотрена система защиты инструмента/аккумулятора. Она автоматически отключает питание двигателя для продления срока службы инструмента и аккумулятора. Инструмент автоматически остановится во время работы в следующих случаях:

Защита от перегрузки

Если из-за способа эксплуатации потребляется очень большое количество тока, инструмент автоматически останавливается, а на индикаторной панели отображается номер соответствующей ошибки. В этом случае выключите инструмент и остановите работу, из-за которой произошла перегрузка инструмента. Затем включите инструмент для перезапуска.

Защита от перегрева

При перегреве инструмента или аккумулятора инструмент автоматически останавливается, а на индикаторной панели отображается номер соответствующей ошибки. В этом случае дайте инструменту и аккумулятору остыть перед повторным включением.

Защита от переразрядки

При истощении заряда аккумулятора инструмент автоматически останавливается, а на индикаторной панели отображается номер соответствующей ошибки. В этом случае извлеките аккумулятор из инструмента и зарядите его.

Основной переключатель питания

ВНИМАНИЕ: При включении питания не приближайте конечности или лицо к частям, выполняющим обвязку, или вращающимся частям рабочего конца инструмента. В противном случае вы можете получить травму.

ВНИМАНИЕ: Если питание включено, не прикасайтесь к частям, выполняющим обвязку, или вращающимся частям рабочего конца инструмента. В противном случае вы можете получить травму.

ВНИМАНИЕ: Перед установкой блока аккумулятора уберите пальцы с триггерного переключателя и заблокируйте триггер. Если при установке блока аккумулятора триггерный переключатель будет находиться в нажатом положении, это может привести к несчастному случаю, если случайно будет выполнена процедура обвязки проволокой.

► Рис.3

При нажатии кнопки питания включается питание и загорается индикатор режима обвязки. Для настройки своего начального положения инструмент кратковременно выполнит рабочий цикл. После завершения настройки инструмент останавливается автоматически. При нажатии кнопки питания повторно питание выключается, а индикатор режима обвязки гаснет.

► **Рис.4:** 1. Индикатор режима обвязки 2. Кнопка питания

ПРИМЕЧАНИЕ: Инструмент оснащен функцией автоматического выключения. Если триггерный переключатель не будет нажат в течение 10 минут, инструмент автоматически отключится для снижения расхода заряда аккумулятора.

ПРИМЕЧАНИЕ: Чтобы перезапустить инструмент, снова включите питание.


Кнопка переключения режимов

Когда питание включено и горит индикатор режима обвязки, с помощью кнопки переключения режимов можно выбрать режим одиночного срабатывания или режим непрерывного срабатывания. При повторном включении питания инструмент включается в том режиме, который был выбран последним.

► **Рис.5:** 1. Кнопка переключения режимов
2. Режим одиночного срабатывания
3. Режим непрерывного срабатывания

Действие выключателя

ОСТОРОЖНО: Перед установкой аккумулятора блока в инструмент обязательно убедитесь, что его триггерный переключатель нормально работает и возвращается в положение "OFF" (ВЫКЛ) при отпускии.

ВНИМАНИЕ: Если инструмент не используется, нажмите на кнопку блокировки триггерного переключателя со стороны  для блокирования в положении OFF (ВЫКЛ).

► **Рис.6:** 1. Триггерный переключатель 2. Кнопка блокировки триггерного переключателя

Для предотвращения случайного нажатия на триггерный переключатель он оборудован кнопкой блокировки. Для включения инструмента нажмите на кнопку блокировки со стороны А и затем нажмите на триггерный переключатель. Отпустите триггерный переключатель для остановки. После использования нажимайте на кнопку блокировки триггерного переключателя со стороны В.

При нажатии триггерного переключателя инструмент выполняет несколько последовательных операций, как описано ниже, и автоматически останавливается.

1. Подает проволоку.
2. Отрезает проволоку.
3. Удерживает и закручивает проволоку крюком.
4. Возвращает крюк в исходное положение.

Регулировка усилия обвязки

ВНИМАНИЕ: Перед началом регулировки не забудьте заблокировать триггер. При включении питания не приближайте конечности или лицо к частям, выполняющим обвязку, или вращающимся частям рабочего конца инструмента. В противном случае вы можете получить травму.

► Рис.7

Усилие обвязки можно настроить с помощью кнопки регулировки усилия обвязки. Значение усилия обвязки отображается на индикаторной панели.

- Рис.8: 1. Кнопка регулировки усилия обвязки
2. Индикаторная панель

В случае поломки проволоки прочность обвязки утрачивается. После обвязывания убедитесь в отсутствии поломок проволоки в месте обвязки. В случае поломки проволоки отрегулируйте усилие обвязки с помощью кнопки регулировки усилия обвязки и повторно выполните обвязывание арматуры.

Уведомление об уровне заряда

Когда напряжение аккумулятора падает ниже требуемого уровня, инструмент прекращает работу, подает сигнал ошибки и на индикаторной панели отображается номер "4". Сигнал ошибки будет звучать, пока питание не будет отключено.

ПРИМЕЧАНИЕ: При очень низкой температуре окружающей среды сигнал ошибки будет звучать даже при достаточном уровне заряда аккумулятора.

СБОРКА

ВНИМАНИЕ: Перед проведением каких-либо работ с инструментом обязательно убедитесь, что инструмент отключен, а блок аккумулятора снят.

Установка катушки с вязальной проволокой

ВНИМАНИЕ: Перед установкой или извлечением вязальной проволоки и принадлежностей отключите питание, заблокируйте триггер и извлеките блок аккумулятора. Несоблюдение этого требования может привести к несчастному случаю.

ПРИМЕЧАНИЕ: Разрешается использовать исключительно проволоку производства компании Makita, в противном случае возможна поломка инструмента.

1. Нажмите рычаг разблокировки и зафиксируйте его стопорным рычагом.

- Рис.9: 1. Рычаг разблокировки 2. Стопорный рычаг

При нажатии рычага разблокировки между левым и правым зубчатым колесом подачи появляется промежуток.

- Рис.10: 1. Рычаг разблокировки 2. Стопорный рычаг 3. Зубчатые колеса системы подачи

2. Откройте крышку отсека катушки.

- Рис.11: 1. Крышка отсека катушки

3. Установите катушку с проволокой в таком положении, как показано на рисунке.

- Рис.12: 1. Катушка с проволокой

ПРИМЕЧАНИЕ: Убедитесь в том, что катушка с проволокой установлена в таком положении, как показано на рисунке. Если катушку установить в другом положении, проволока может замотаться и перекрутиться.

4. Отсоедините конец проволоки от крючка катушки.

- Рис.13: 1. Крючок

5. Выпрямите конец проволоки и пропустите проволоку через направляющую.

- Рис.14: 1. Направляющая

ПРИМЕЧАНИЕ: Если во время пропускания через направляющую конец проволоки согнется, проволока может застрять в инструменте.

ПРИМЕЧАНИЕ: Если проволоку проталкивать через направляющую с усилием, проволока может застрять.

6. Вытяните проволоку примерно на 10 мм из конца направляющей насадки.

- Рис.15: 1. Направляющая насадка
2. Приблизительно 10 мм

ПРИМЕЧАНИЕ: Если длины вытянутого конца проволоки недостаточно, проволока может оборваться при обвязывании или прочность обвязки может быть снижена из-за недостаточного количества витков.

7. Перемотайте проволоку, чтобы устранить ее провисание.

- Рис.16

8. Отпустите стопорный рычаг. Рычаг разблокировки возвращается, а проволока удерживается левым и правым зубчатыми колесами.

- Рис.17: 1. Рычаг разблокировки 2. Стопорный рычаг

- Рис.18: 1. Зубчатое колесо 2. Канал движения проволоки 3. Проволока

ПРИМЕЧАНИЕ: Когда стопорный рычаг отпускается, а левое и правое зубчатые колеса входят в зацепление друг с другом, канавки в зубчатых колесах образуют канал. По этому каналу подается проволока. Убедитесь в том, что проволока подается по этому каналу.

9. Закройте крышку отсека катушки.

- Рис.19: 1. Крышка отсека катушки

ЭКСПЛУАТАЦИЯ

Проверка перед началом работы

ВНИМАНИЕ: Если в инструменте возникла проблема, связанная с предохранительным механизмом, не используйте инструмент. Использование такого инструмента может привести к несчастному случаю.

Перед началом работы с инструментом убедитесь в том, что предохранительный механизм работает нормально. Если инструмент работает без функционирующего предохранительного механизма, немедленно прекратите использовать инструмент. Обратитесь в местный сервисный центр Makita для ремонта.

Проверка предохранителя триггера

Инструмент оснащен предохранителем триггера для предотвращения непреднамеренного срабатывания инструмента. Заблокируйте триггер и убедитесь в том, что триггерный переключатель нельзя нажать.

Проверка входной направляющей

Чтобы предотвратить случайное касание оператором частей, выполняющих обвязку, или вращающихся частей рабочего конца инструмента, инструмент не будет работать, даже если нажать триггерный переключатель при открытой входной направляющей. Когда оператор убирает палец с триггерного переключателя и закрывает входную направляющую, инструмент может работать.

► **Рис.20:** 1. Входная направляющая

Проверка обнаружения открытия/ закрытия входной направляющей

Удалите вязальную проволоку, проверьте работу инструмента по следующей процедуре и убедитесь в том, что инструмент не запускается, если входная направляющая открыта.

1. Отключите питание и оставьте входную направляющую открытой.
2. Включите питание.

Если инструмент не работает и на индикаторной панели отобразится значение "2", состояние инструмента нормальное. Выключите питание и закройте входную направляющую.

Если инструмент работает и на индикаторной панели не отображается код ошибки, состояние инструмента ненормальное. Немедленно прекратите эксплуатацию инструмента и обратитесь в местный сервисный центр Makita для выполнения ремонта.

ВНИМАНИЕ: Если вы откроете входную направляющую и включите питание, чтобы проверить блокировку, держите входную направляющую, как показано на рисунке. Не приближайте конечности или лицо близко к частям, выполняющим обвязку, или вращающимся частям рабочего конца инструмента. В противном случае вы можете получить травму.

► **Рис.21**

Обязывание

ВНИМАНИЕ: Перед установкой блока аккумулятора уберите пальцы с триггерного переключателя и заблокируйте триггер. Если при установке блока аккумулятора триггерный переключатель будет находиться в нажатом положении, это может привести к несчастному случаю, если случайно будет выполнена процедура обвязки проволокой.

ВНИМАНИЕ: При включении питания не приближайте конечности или лицо к частям, выполняющим обвязку, или вращающимся частям рабочего конца инструмента. В противном случае вы можете получить травму.

ВНИМАНИЕ: Если питание включено, не прикасайтесь к частям, выполняющим обвязку, или вращающимся частям рабочего конца инструмента. В противном случае вы можете получить травму.

► **Рис.22**

Подготовка к работе

1. Убедитесь в том, что блок аккумулятора извлечен и триггер заблокирован.
2. Вставьте блок аккумулятора в инструмент и включите питание. При включении питания проволока обрезается автоматически.

ПРИМЕЧАНИЕ: Убедитесь в том, что при включении питания загорается индикатор режима обвязки. Если индикатор не загорается, зарядите аккумулятор.

3. Отключите блокировку триггерного переключателя.
- **Рис.23:** 1. Кнопка блокировки триггерного переключателя 2. Триггерный переключатель 3. Кнопка питания 4. Индикатор режима обвязки

Режим одиночного срабатывания

1. С усилием прижмите направляющую насадку к точке обвязки. Прижмите инструмент вертикально к арматуре и прижмите направляющую насадку к точке, где арматурные стержни пересекаются под углом 45 градусов.

► **Рис.24**

2. Нажмите на триггерный переключатель один раз.
3. Проволока будет подана и отрезана автоматически.
4. Крюк удерживает и скручивает проволоку, после чего возвращается в исходное положение после обвязывания стержней.

► **Рис.25**

5. После выполнения обвязки потяните инструмент вверх; при этом следите за тем, чтобы не зацепиться направляющей насадкой за арматуру.

ВНИМАНИЕ: Если проволока зацепилась за часть рабочего конца инструмента, выполняющую обвязку, выключите питание инструмента. Заблокируйте триггер, извлеките блок аккумулятора и удалите проволоку с помощью, например, кусачек или плоскогубцев.

► **Рис.26**

Режим непрерывного срабатывания

1. Переключите инструмент с режима одиночного срабатывания на режим непрерывного срабатывания кнопкой переключения режимов.

► **Рис.27:** 1. Кнопка переключения режимов

2. Отключите блокировку триггерного переключателя.

3. Нажимая триггерный переключатель, прижмите инструмент вертикально к арматуре и прижмите направляющую насадку к точке, где арматурные стержни пересекаются под углом 45 градусов. Плотно прижмите контактную пластину к точке обвязки. Будет выполнена обвязка проволокой.

► **Рис.28:** 1. Контактная пластина

4. После выполнения обвязки потяните инструмент вверх; при этом следите за тем, чтобы не зацепиться направляющей насадкой за арматуру.

► **Рис.29**

Меры предосторожности при работе

- Если сместить направляющую насадку относительно точки обвязки во время обвязывания проволокой, проволока застрянет на крюке, что может привести к неправильному обвязыванию.
- Продолжайте прижимать инструмент к арматуре до тех пор, пока обвязывание проволокой не будет завершено.
- Переходите к следующей точке обвязки только после того, как будет полностью завершено обвязывание в текущей точке.
- Вращающаяся часть рабочего конца инструмента (крюк) скручивает проволоку во время обвязывания. Крепко удерживайте рукоятку, чтобы ваше тело не смещалось из-за работы инструмента.
- Не прикасайтесь к проволоке во время обвязывания.
- Если вы решили повторить процедуру обвязывания проволокой в режиме одиночного срабатывания, полностью уберите палец с триггерного переключателя. После этого продолжайте нажимать триггерный переключатель.
- Если нажать триггерный переключатель, когда вязальная проволока закончилась, отображается код ошибки. Вставьте катушку с вязальной проволокой и перезапустите инструмент.

Рекомендации по обвязыванию

• Наклоните инструмент под углом 45° к пересекающимся арматурным стержням и выполняйте обвязку с разных сторон, как показано на рисунке.

► **Рис.30**

• На выполняйте обвязку на секциях арматурных стержней с утолщениями.

► **Рис.31**

• Если прочность обвязки недостаточная, измените ориентацию обвязывания и выполните процедуру дважды, чтобы увеличить прочность обвязки.

► **Рис.32**

ПРИМЕЧАНИЕ: Перед выполнением второй обвязки согните конец первого узла. В противном случае во время второй обвязки проволока может отклониться. Она может зацепиться за рабочий конец инструмента, что может привести к повреждению крюка.

Замена вязальной проволоки

ВНИМАНИЕ: При замене проволоки отключите питание, заблокируйте триггер и извлеките блок аккумулятора. Несоблюдение этого требования может привести к несчастному случаю.

1. Когда проволока закончится, прозвучит сигнал ошибки и на дисплее отобразится код ошибки "1".

2. Заблокируйте триггер, выключите питание и извлеките блок аккумулятора.

3. Нажмите рычаг разблокировки и зафиксируйте его стопорным рычагом.

► **Рис.33:** 1. Рычаг разблокировки 2. Стопорный рычаг

4. Извлеките катушку с проволокой из инструмента.

ПРИМЕЧАНИЕ: Когда расход проволоки происходит в нормальном режиме, на катушке остается приблизительно 20 см проволоки. В этом случае замените катушку новой.

Если катушку из инструмента извлечь трудно, выполните указанные далее действия.

1. Вставьте блок аккумулятора в инструмент и включите питание. Инструмент подает проволоку и отрезает ее автоматически.

2. Заблокируйте триггер, выключите питание и извлеките блок аккумулятора.

3. Удалите обрывы проволоки с помощью, например, кусачек или плоскогубцев.

ОБСЛУЖИВАНИЕ

ВНИМАНИЕ: Перед проведением проверки или работ по техобслуживанию всегда проверяйте, что инструмент выключен, а блок аккумулятора снят.

ПРИМЕЧАНИЕ: Запрещается использовать бензин, растворители, спирт и другие подобные жидкости. Это может привести к обесцвечиванию, деформации и трещинам.

Для обеспечения БЕЗОПАСНОСТИ и НАДЕЖНОСТИ оборудования ремонт, любое другое техобслуживание или регулировку необходимо производить в уполномоченных сервис-центрах Makita или сервис-центрах предприятия с использованием только сменных частей производства Makita.

Очистка секции режущего элемента

Во время эксплуатации инструмента частицы пыли и проволоки могут прилипнуть к секции режущего элемента. В этом случае следует очистить секцию режущего элемента по указанной далее процедуре. Очистку следует выполнять каждый раз после того, как была израсходована коробка катушек. (50 шт.)

Использование проволочной щетки

1. Откройте крышку отсека катушки.
▶ **Рис.34:** 1. Крышка отсека катушки
2. Нажмите рычаг разблокировки и зафиксируйте его стопорным рычагом.
▶ **Рис.35:** 1. Рычаг разблокировки 2. Стопорный рычаг
3. Вставьте проволочную щетку в направляющую. Вставлять проволочную щетку следует понемногу, удерживая ее максимально близко к входному отверстию направляющей.
▶ **Рис.36:** 1. Проволочная щетка
▶ **Рис.37:** 1. Зубчатое колесо 2. Направляющая 3. Проволочная щетка
4. Вставляйте проволочную щетку, пока она не выйдет приблизительно на 10 мм из конца направляющей насадки. После этого извлеките проволочную щетку. Достаточно одного такого действия.
▶ **Рис.38:** 1. Направляющая насадка 2. Проволочная щетка
5. Закройте крышку отсека катушки.
▶ **Рис.39:** 1. Крышка отсека катушки

Использование продувочного пистолета

Откройте крышку отсека катушки, нажмите рычаг разблокировки и зафиксируйте его стопорным рычагом. Поднесите продувочный пистолет к направляющей и выполните продувку воздухом. Убедитесь в том, что воздух выходит из конца направляющей насадки.
▶ **Рис.40:** 1. Продувочный пистолет 2. Направляющая

Очистка с разборкой

В случае засорения секции режущего элемента или застревания проволоки разберите детали и очистите их.

Разборка и очистка

1. Ослабьте болты А и В шестигранным ключом, входящим в комплект поставки инструмента.
▶ **Рис.41:** 1. Шестигранный ключ
▶ **Рис.42:** 1. Болт А 2. Болт В 3. Крышка контактной пластины 4. Направляющая для проволоки В

ПРИМЕЧАНИЕ: Не прилагайте чрезмерных усилий для удаления болтов, которые не удается удалить шестигранным ключом.

2. Потяните крышку контактной пластины вверх в указанном стрелкой направлении и снимите крышку. Вместе с пластиной будет удален и болт В.
▶ **Рис.43:** 1. Крышка контактной пластины 2. Болт В

3. Удалите болт А и снимите направляющую для проволоки В.

▶ **Рис.44:** 1. Болт А 2. Направляющая для проволоки В

4. Поверните направляющую для проволоки В и очистите ее изнутри.

▶ **Рис.45**

5. Удалите режущий элемент А, режущий элемент В и верхнюю пластину, снимите соединительный рычаг А с пластины направляющей насадки А. Выполните их очистку.

▶ **Рис.46:** 1. Режущий элемент В
2. Соединительный рычаг А 3. Режущий элемент А 4. Пластина направляющей насадки А 5. Верхняя пластина

Сборка

По завершении очистки соберите детали в соответствии с указанной ниже процедурой.

1. Установите режущий элемент А и соединительный рычаг А в соответствии с формой пластины направляющей насадки А.

▶ **Рис.47:** 1. Режущий элемент А
2. Соединительный рычаг А 3. Пластина направляющей насадки А

2. Установите режущий элемент В и верхнюю пластину на пластину направляющей насадки А. (Установите режущий элемент В на режущий элемент А и соединительный рычаг А.)

▶ **Рис.48:** 1. Режущий элемент В 2. Верхняя пластина 3. Пластина направляющей насадки А 4. Режущий элемент А 5. Соединительный рычаг А

ПРИМЕЧАНИЕ: Направьте выступ режущего элемента В вниз и установите режущий элемент, как показано на рисунке.

3. Совместите трубку инструмента с канавкой внутри направляющей для проволоки В и соберите их.

▶ **Рис.49:** 1. Трубка 2. Канавка 3. Направляющая для проволоки В

4. Зафиксируйте направляющую для проволоки В, временно затянув болт А.

▶ **Рис.50:** 1. Болт А 2. Направляющая для проволоки В

5. Установите крышку контактной пластины в направлении, указанном стрелкой.

▶ **Рис.51:** 1. Крышка контактной пластины

6. Закрепите направляющую для проволоки В и крышку контактной пластины, затянув болт А и болт В.

▶ **Рис.52:** 1. Направляющая для проволоки В
2. Крышка контактной пластины 3. Болт А 4. Болт В

7. После сборки убедитесь в том, что контактная пластина может двигаться, как показано на рисунке.

▶ **Рис.53:** 1. Контактная пластина

ПРИМЕЧАНИЕ: Если контактная пластина застряла, нажмите ее, как показано на рисунке.

▶ **Рис.54**

Код ошибки и сигнал ошибки

⚠ВНИМАНИЕ: Во время проверки заблокируйте триггер, выключите питание и извлеките блок аккумулятора. Несоблюдение этого требования может привести к несчастному случаю.

⚠ВНИМАНИЕ: При включении питания не приближайте конечности или лицо к частям, выполняющим обвязку, или вращающимся частям рабочего конца инструмента. В противном случае вы можете получить травму.

⚠ВНИМАНИЕ: Если питание включено, не прикасайтесь к частям, выполняющим обвязку, или вращающимся частям рабочего конца инструмента. В противном случае вы можете получить травму.

⚠ВНИМАНИЕ: Если звучит сигнал ошибки или инструмент работает неправильно, немедленно прекратите использование инструмента.

Сигнал ошибки и код ошибки

При возникновении ошибки будет подан сигнал ошибки, а на индикаторной панели отобразится код ошибки. См. следующую таблицу и выполните соответствующие действия. Если ошибку не удалось устранить, свяжитесь с авторизованным сервисным центром Makita для выполнения ремонта.

Символ	Признак	Возможная причина	Решение
1	Инструмент перестает работать.	Закончилась проволока.	Установите катушку с вязальной проволокой.
		Катушка с вязальной проволокой не установлена.	Установите катушку с вязальной проволокой.
		Сбой подачи проволоки.	Убедитесь в том, что направление вязальной проволоки правильное. Извлеките катушку с вязальной проволокой и снова установите ее. Очистите промежуток, по которому подается проволока.
2	Инструмент перестает работать.	Входная направляющая открыта.	Закройте входную направляющую.
3	Инструмент не выполняет обвязывание в режиме непрерывного срабатывания.	Контактная пластина застряла.	Освободите контактную пластину.
4	Инструмент не запускается. Инструмент перестает работать.	Аккумулятор разряжен. Температура блока аккумулятора слишком высокая.	Зарядите аккумулятор. Охладите блок аккумулятора. Замените блок аккумулятора заряженным.
5	Инструмент перестает работать.	Двигатель перегружен.	Определите причину затрудненного вращения двигателя и устраните проблему.
		Неисправность двигателя	
6	Инструмент перестает работать.	Температура инструмента слишком высокая.	Охладите инструмент.
7	Инструмент не запускается. Инструмент перестает работать.	Сбой инструмента	Свяжитесь с авторизованным сервисным центром Makita для выполнения ремонта.

ДОПОЛНИТЕЛЬНЫЕ ПРИНАДЛЕЖНОСТИ

⚠ВНИМАНИЕ: Данные принадлежности или приспособления рекомендуются для использования с инструментом Makita, указанным в настоящем руководстве. Использование других принадлежностей или приспособлений может привести к получению травмы. Используйте принадлежность или приспособление только по указанному назначению.

Если вам необходимо содействие в получении дополнительной информации по этим принадлежностям, свяжитесь с вашим сервис-центром Makita.

- Вязальная проволока
- Проволочная щетка
- Удлинительная рукоятка
- Оригинальный аккумулятор и зарядное устройство Makita

ПРИМЕЧАНИЕ: Некоторые элементы списка могут входить в комплект инструмента в качестве стандартных приспособлений. Они могут отличаться в зависимости от страны.

Makita Europe N.V. Jan-Baptist Vinkstraat 2,
3070 Kortenberg, Belgium

Makita Corporation 3-11-8, Sumiyoshi-cho,
Anjo, Aichi 446-8502 Japan

www.makita.com

885636C989
EN, SV, NO, FI, DA,
LV, LT, ET, RU
20201030