

NEW - PULLEY-MAN Portable mini-winch 300 kg - Complete Kit



- Light work: maintenance, upkeep, repairs, fitting, installations, small sites, agriculture, first aid?
- Mechanized gardening.
- Quad.
- DIY.

Technical properties

- Can be used with all screwdrivers, cordless or not.
- Easy to set up: suspension hook.
- Small size.
- Light.
- Works in all positions.
- Complete case kit (case, winch, drill...). Available as a single case kit (case, winch) or only the winch.
- Cable length: unlimited in traction. Limited to 50 m in lifting (beyond 12 m, loss of 10% of lifting force per 10 m section).
- Automatic load maintenance system (patented self-braking brake reducer).
- Supplied as standard with 12 m of cable (aviation type \varnothing 4.76 mm galvanized steel cable).
- Pulley block to double the load as option:
- lifting capacity for loads: 600 kg on two falls.
- pulling capacity for loads on wheels: from 900 to 3000 kg on two falls depending on the slope.
- New: Optional wall support.

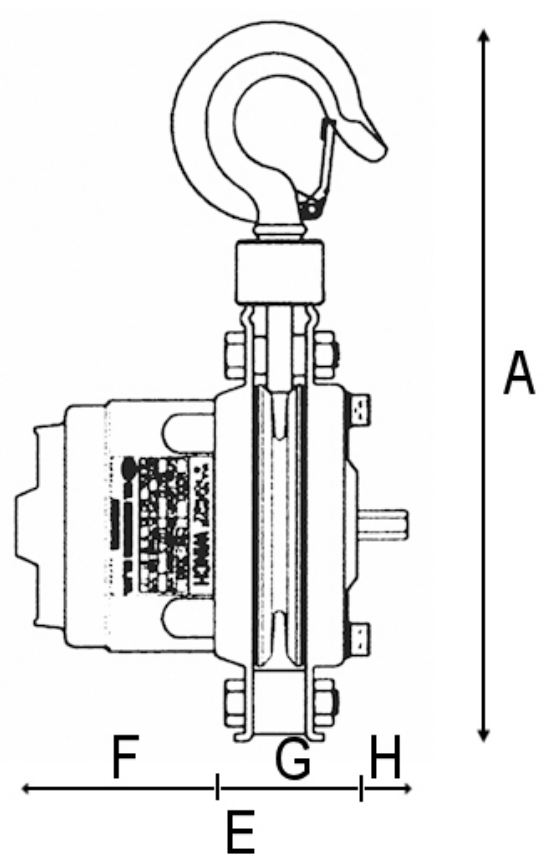
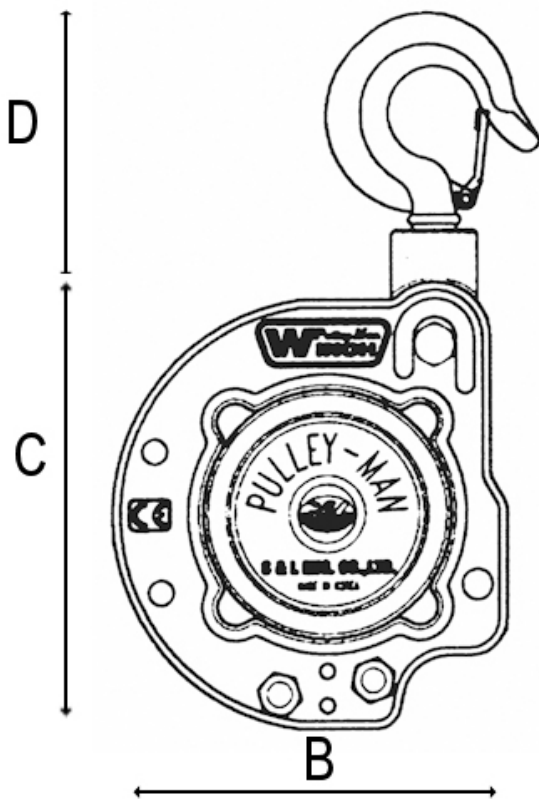
Technical characteristics of NEW - PULLEY-MAN Portable mini-winch 300 kg - Complete Kit

Capacity 1st layer kg	300
Capacity top layer kg	300
Wire rope \varnothing mm	4,76
Pulling cap. (load on wheels, slope 6°) kg	1500
Pulling cap. (load on wheels, slope 12°) kg	975
Pulling cap. (load on wheels, slope 16°) kg	825
Pulling cap. (load on wheels, slope 27°) kg	585
Pulling cap. (load on wheels, slope 30°) kg	450

Weight (with 12 m of wire rope and hook) kg	7,5
---	-----

Dimensions

A mm	231,9
B mm	129
C mm	144,9
D mm	87
E mm	127,2
F mm	64,5
G mm	46,2
H mm	16,5
I mm	197
J mm	149,5
K mm	130
L mm	149
M mm	44



Technical characteristics of the other models of the range

References	PULLEYMAN-UNIT	PULLEYMANKITCOMP	PULLEYMAN-KITSIMP
		LET	LE
Capacity 1st layer kg	300	300	300
Capacity top layer kg	300	300	300
Lifting capacity kg			
Wire rope Ø mm	4,76	4,76	4,76
Pulling cap. (load on wheels, slope 6°) kg	1500	1500	1500
Pulling cap. (load on wheels, slope 12°) kg	975	975	975
Pulling cap. (load on wheels, slope 16°) kg	825	825	825
Pulling cap. (load on wheels, slope 27°) kg	585	585	585
Pulling cap. (load on wheels, slope 30°) kg	450	450	450
Weight (with 12 m of wire rope and hook) kg	7,5	7,5	7,5



HUCHEZ's advice

This mini-winch, easy to set up, can be used with all screwdrivers, cordless or not. Portable.



HUCHEZ
4, rue Michel HAMMID
60420 FERRIERES – France
+33 (0) 3 44 51 11 33
www.huchez.com
contact@huchez.fr



SERVICE CLIENTS
ATENCIO AL CLIENTE
KUNDENSERVICE



Pour en savoir plus, n'hésitez pas à nous contacter!
To know more, please contact us!
Para más información, póngase en contacto con nosotros!
Für weitere Informationen können Sie sich gerne an uns wenden!