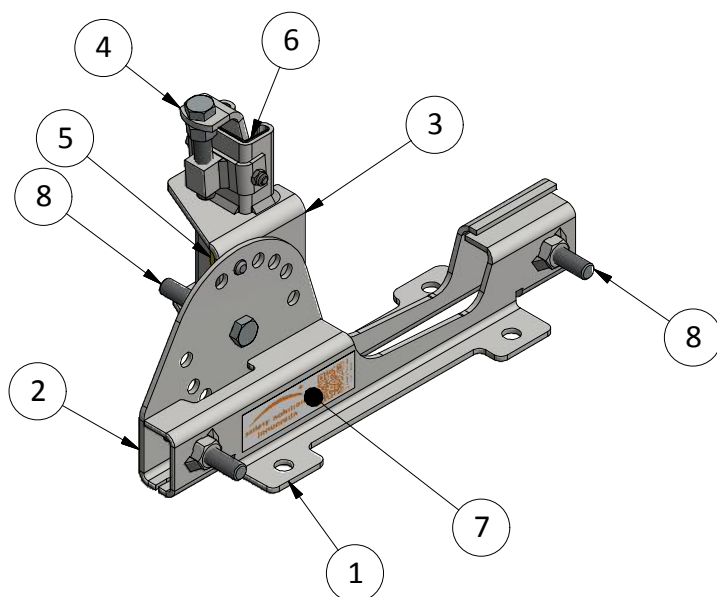
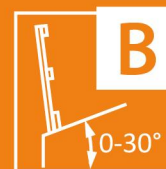


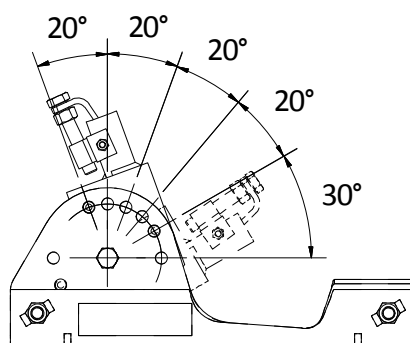
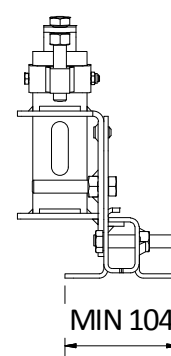
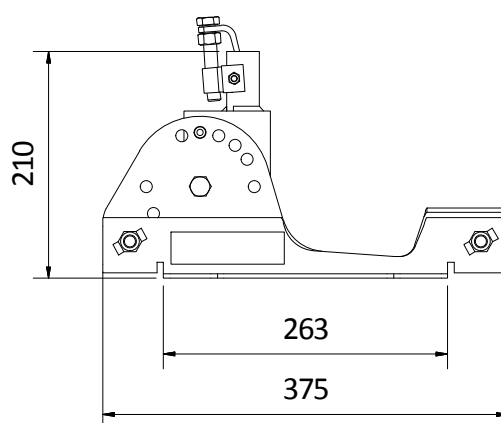
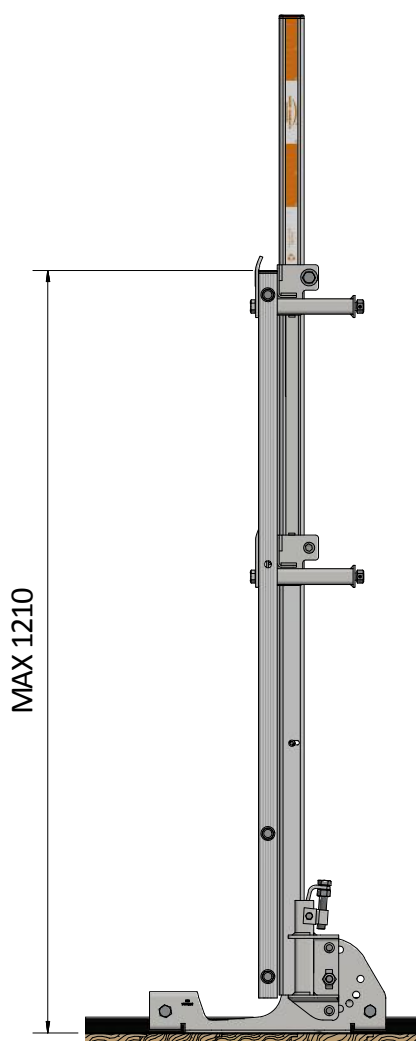
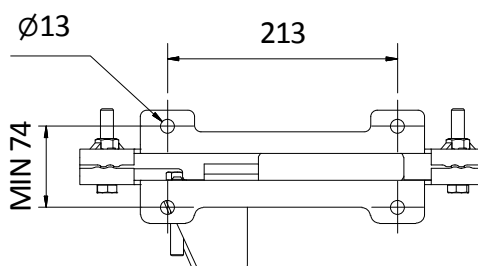
# I-GUIDE

## FLAT SHEET ATTACHMENT

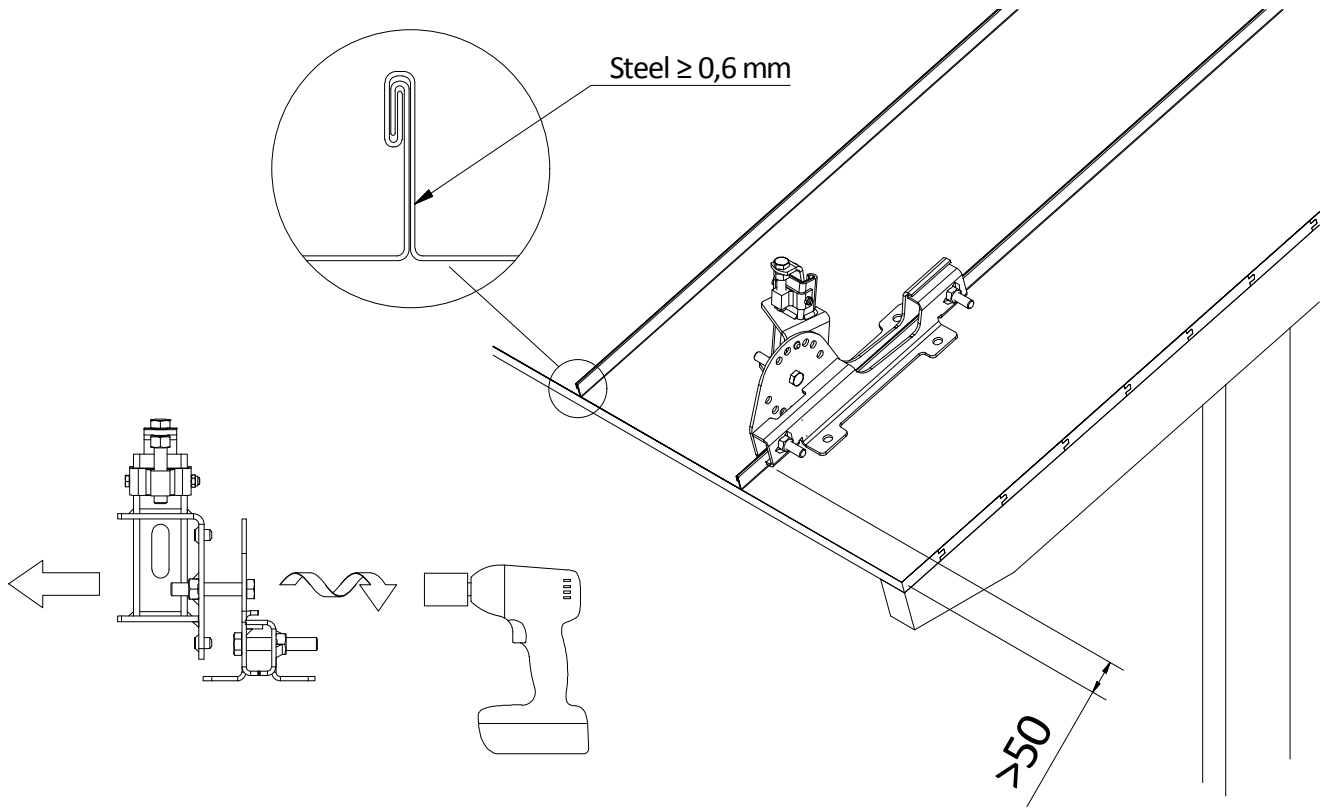


Art nr 9-720-10-042  
Galvanized  
3,7 kg  
EN 13374-A-B  
Max c/c 2,4 m  
[mm]

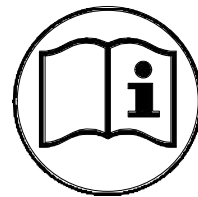
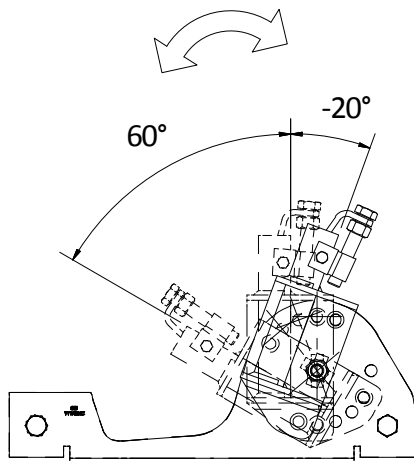
ITEM	QTY	ART. NO
1	1	9-720-10-043
2	1	9-720-10-045
3	1	9-720-10-048
4	1	9-720-12-001
5	1	9-700-00-117
6	1	9-70-000034
7	1	9-70-000026
8	3	6-50-1-00006



1.

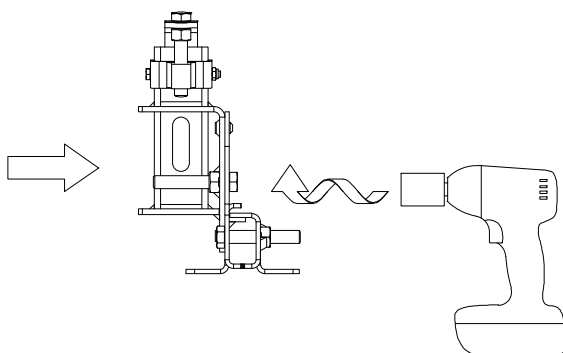


2.

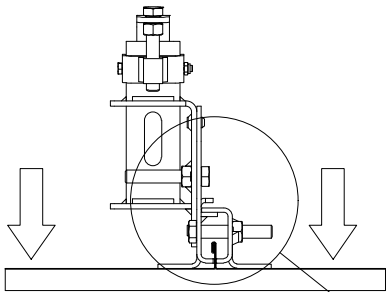


I-Guide  
GuardLite General

3.

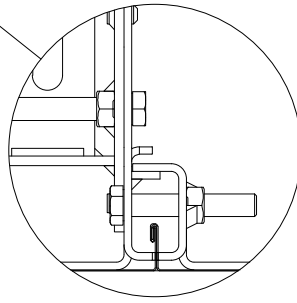
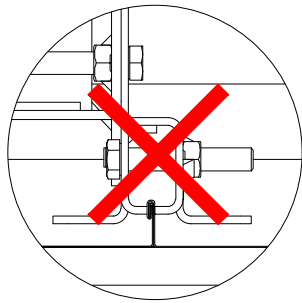
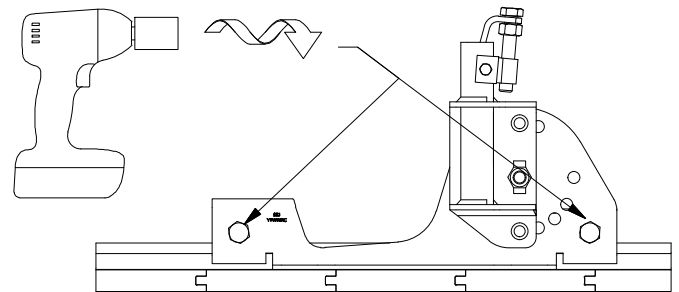


4.

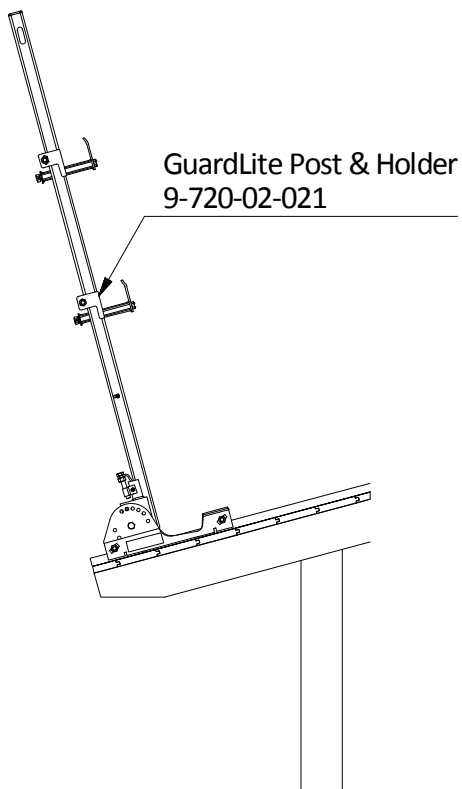


5.

30 Nm!



6.



7.

