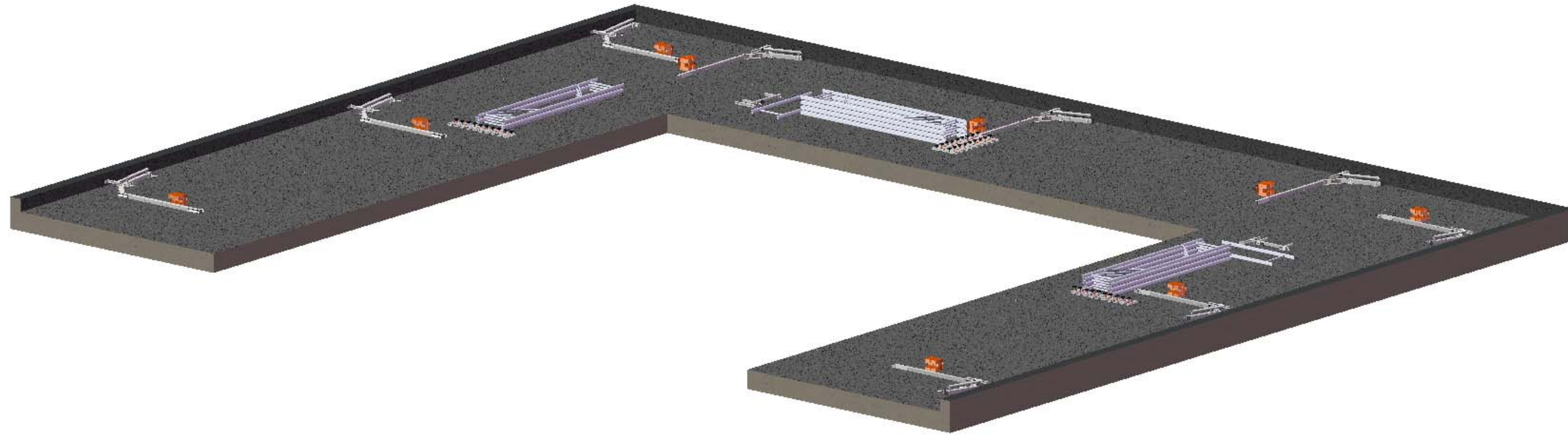




AluFix Classic 50M-TK Assembly Instructions

ASSEMBLY ORDER:

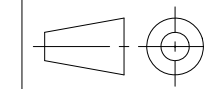
1. POSITION SUPPORT LEGS
2. FIT COUNTERWEIGHTS
3. ADJUST PARAPET SUPPORTS
4. FIT RAILINGS AND INTERCONNECT
5. FIT AND ADJUST CORNER SUPPORTS.



No.	Product	Part name	Quantity	Surface treatment	Part number
1	AluFix Classic safety railing	Connector clamp	38	no surface treatment	410535117
2	AluFix Classic safety railing	Support leg	9	no surface treatment	410535101
3	AluFix Classic safety railing	Counterweight	18	RAL 2010	410535104
4	AluFix Classic safety railing	Rail element L=2800	17	no surface treatment	410535102
5	AluFix Classic safety railing	Rail element L=1400	2	no surface treatment	410535103
6	AluFix Classic safety railing	Corner element	2	no surface treatment	410535105



Pakkasraitti 14 04360 Tuusula
Tel.+358 (0)20 7421 700
etunimi.sukunimi@alupro.com
www.alupro.com



Suhde Scale: 1:70 A3	Piirtänyt Drawn by	HRi	5.11.2014
	Tarkastanut Checked by		
	Hyväksynyt Approved by		
	Rev.		

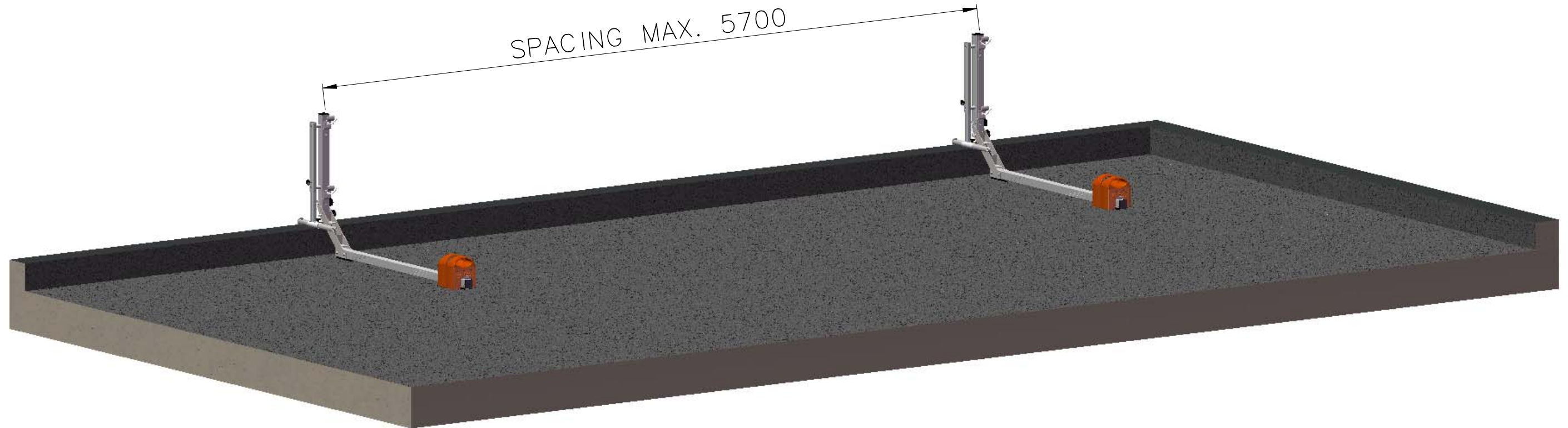
AluFix Classic 50m Assembly instruction

Piirustus numero. Drawing number

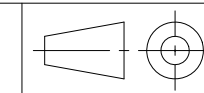
AluFix[®] Classic

SUPPORT LEGS.

1. SET SUPPORT LEGS AT APPROPRIATE DISTANCE FROM EDGE
2. POSITION WEIGHTS IN THE LOCATING BRACKETS
3. ADJUST THE PARAPET SUPPORTS AND LOCK CLAMPS
4. POSITION NEXT SUPPORT LEG AT A MAX. OF 5700 DISTANCE.



Pakkasratti 14 04360 Tuusula
 Tel.+358 (0)20 7421 700
 etunimi.sukunimi@alupro.com
 www.alupro.com



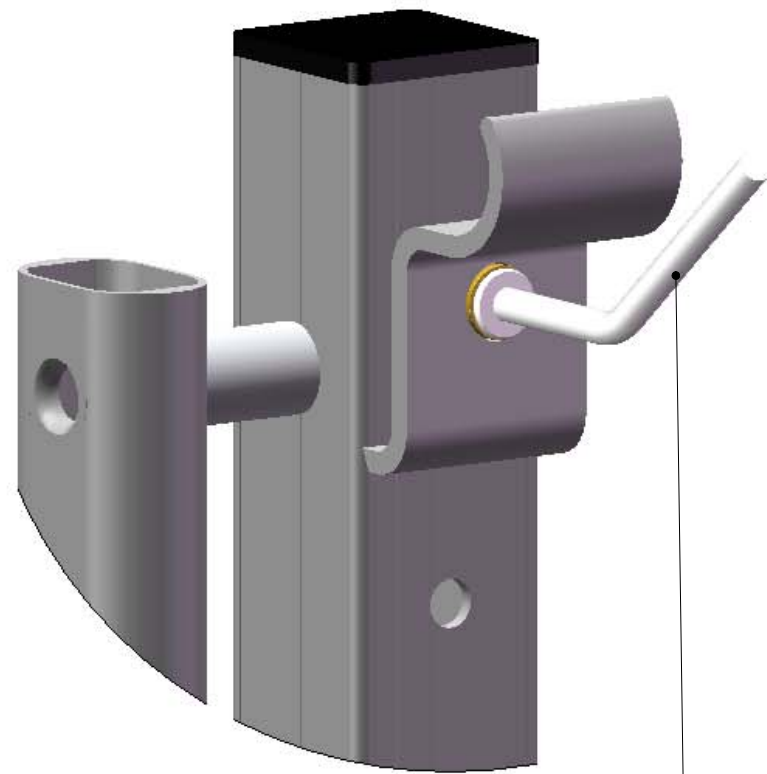
Suhde Scale: 1:30 A3	Piirtänyt Drawn by	HRI	5.11.2014
	Tarkastanut Checked by		
	Hyväksynyt Approved by		
	Rev.		

AluFix Classic 50m Assembly instruction

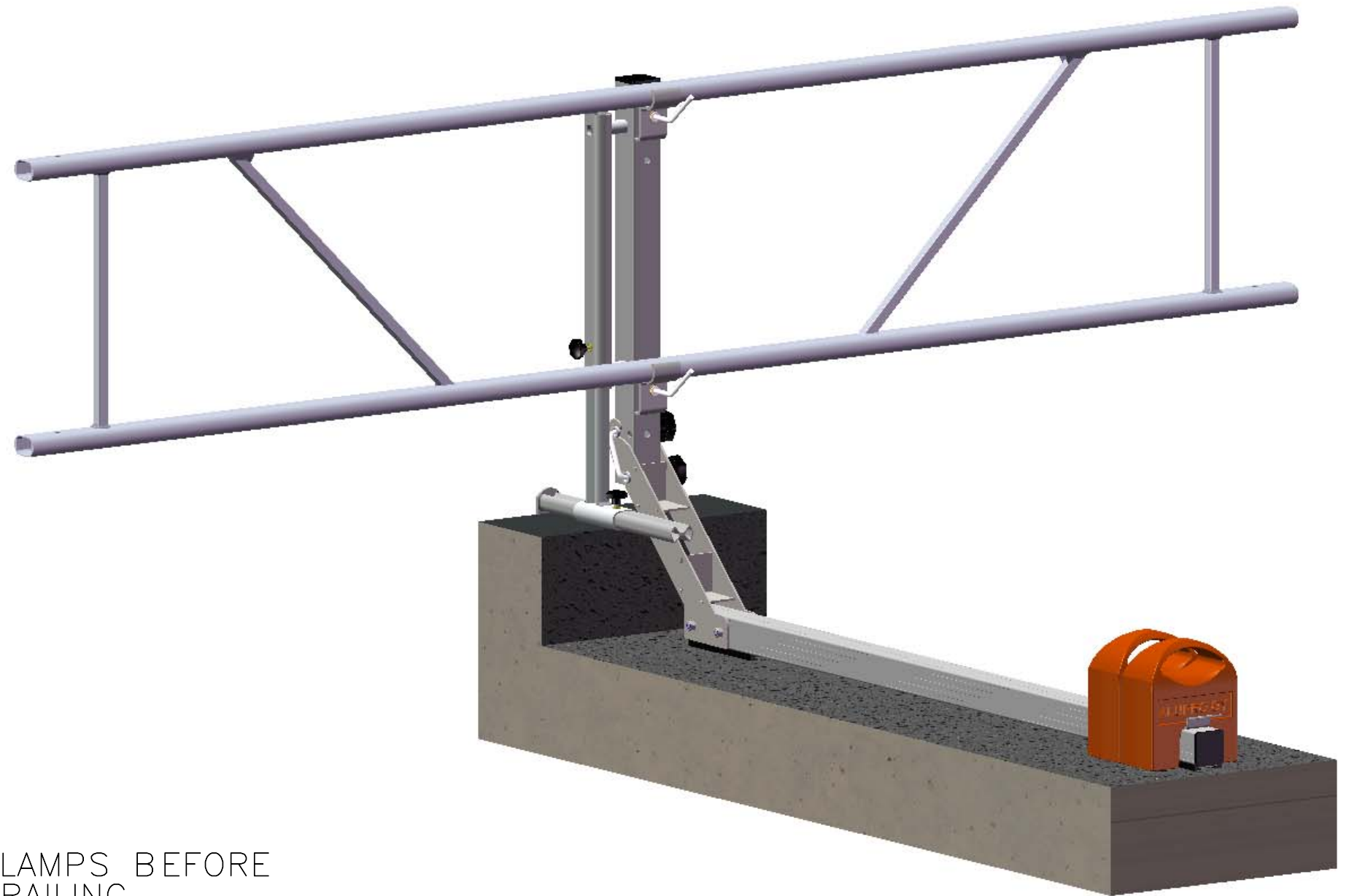
Piirustus numero. Drawing number

AluFix[®] Classic

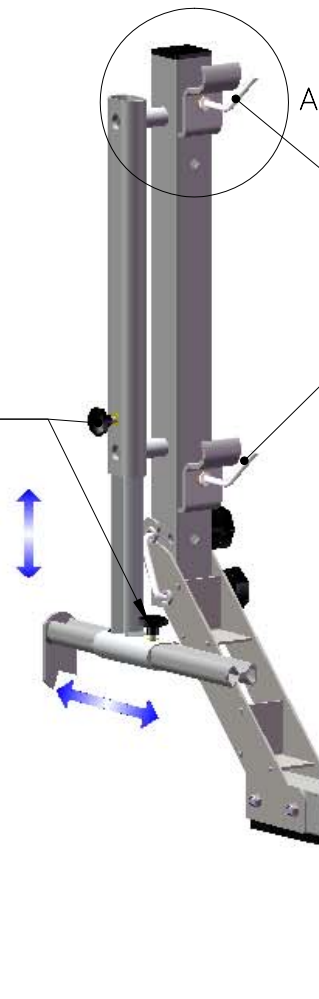
PARAPET SUPPORT ADJUSTMENT AND RAILING FITTING



DETAIL A
SCALE 1 : 2



PARAPET
SUPPORT
ADJUSTMENT
AND LOCKING



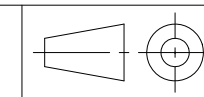
OPEN CLAMPS BEFORE
FITTING RAILING.
TIGHTEN ONCE RAILING IS
CORRECTLY POSITIONED

COUNTERWEIGHTS
(2PCS) HERE



Pakkasratti 14 04360 Tuusula
Tel.+358 (0)20 7421 700
etunimi.sukunimi@alupro.com
www.alupro.com

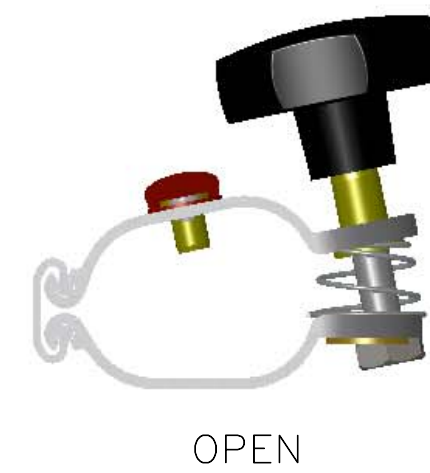
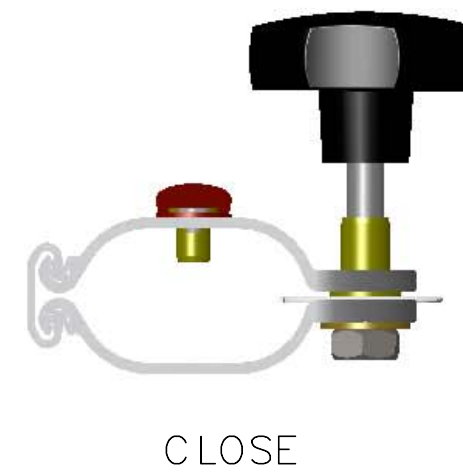
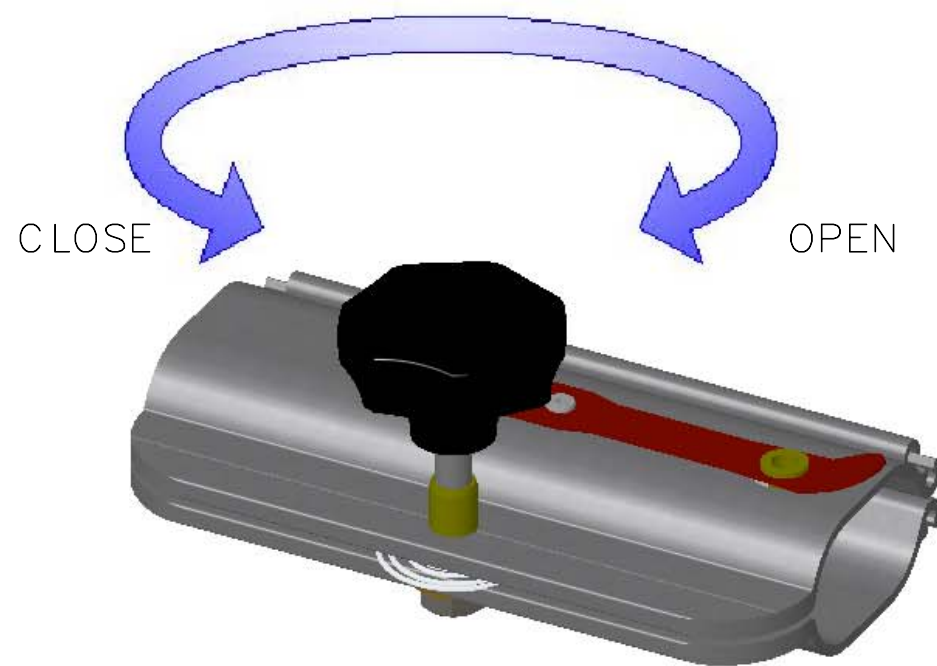
AluFix Classic 50m Assembly instruction



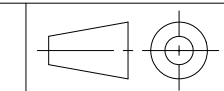
Suhde Scale: 1:10 A3	Piirtänyt Drawn by	HRI	5.11.2014
	Tarkastanut Checked by		
	Hyväksynyt Approved by		
	Rev.		

Piirustus numero. Drawing number

RAILING CONNECTOR CLAMP FUNCTION



ALUPRO[®]
 Pakkasraitti 14 04360 Tuusula
 Tel.+358 (0)20 7421 700
 etunimi.sukunimi@alupro.com
 www.alupro.com



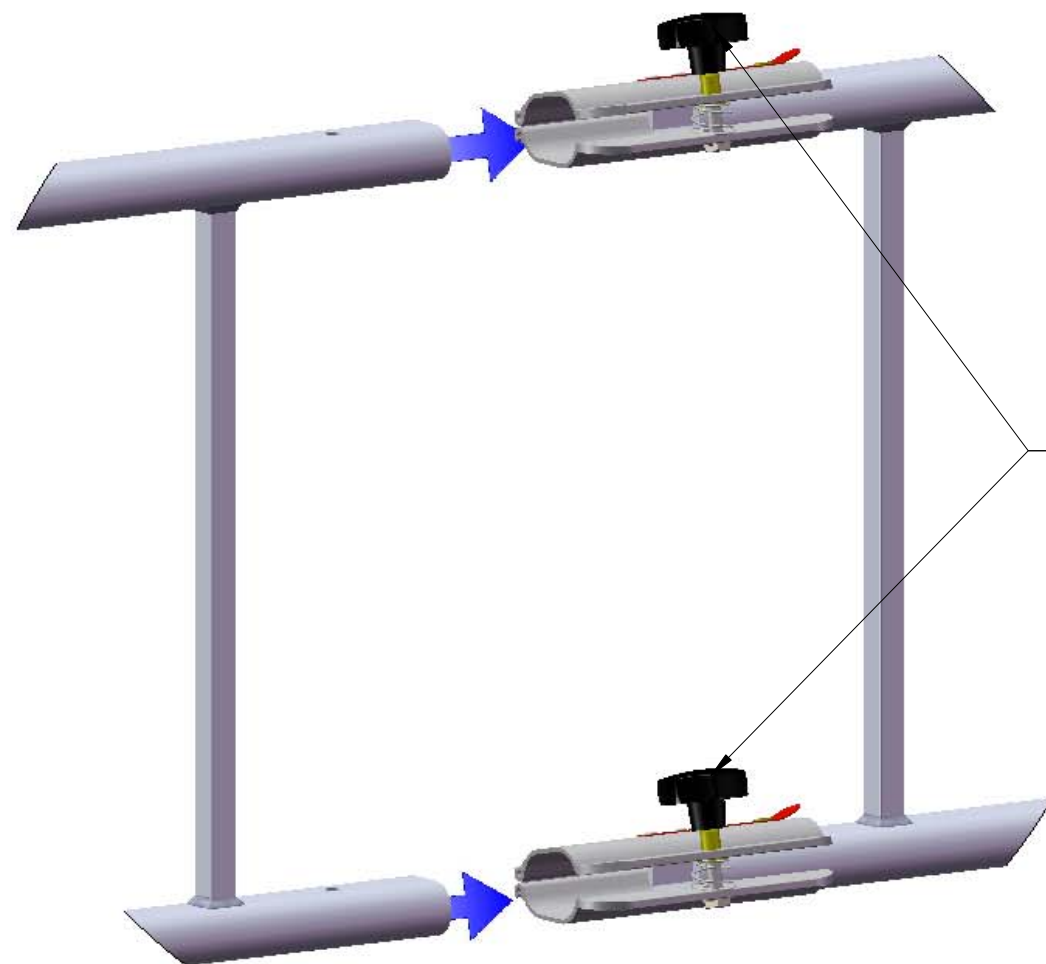
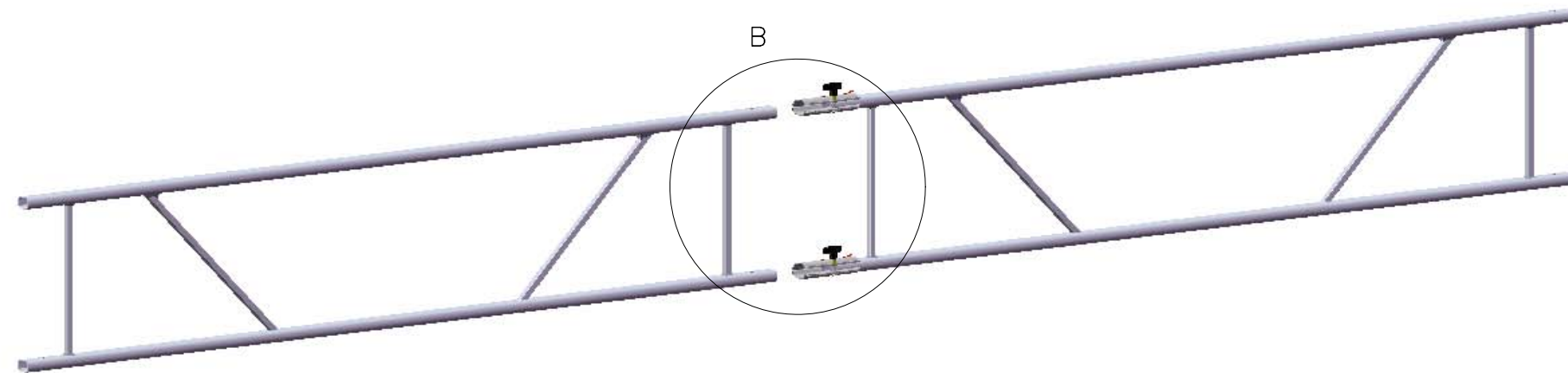
Suhde Scale: 1:2 A3	Piirtänyt Drawn by	HRI	5.11.2014
	Tarkastanut Checked by		
	Hyväksynyt Approved by		
	Rev.		

AluFix Classic 50m Assembly instruction

Piirustus numero. Drawing number

AluFix[®] **Classic**

RAILING CONNECTION DETAIL

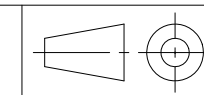


OPEN CLAMPS BEFORE FITTING TO RAILING.
TIGHTEN ONCE CORRECTLY POSITIONED

DETAIL B
SCALE 1 : 5



Pakkasraitti 14 04360 Tuusula
Tel.+358 (0)20 7421 700
etunimi.sukunimi@alupro.com
www.alupro.com



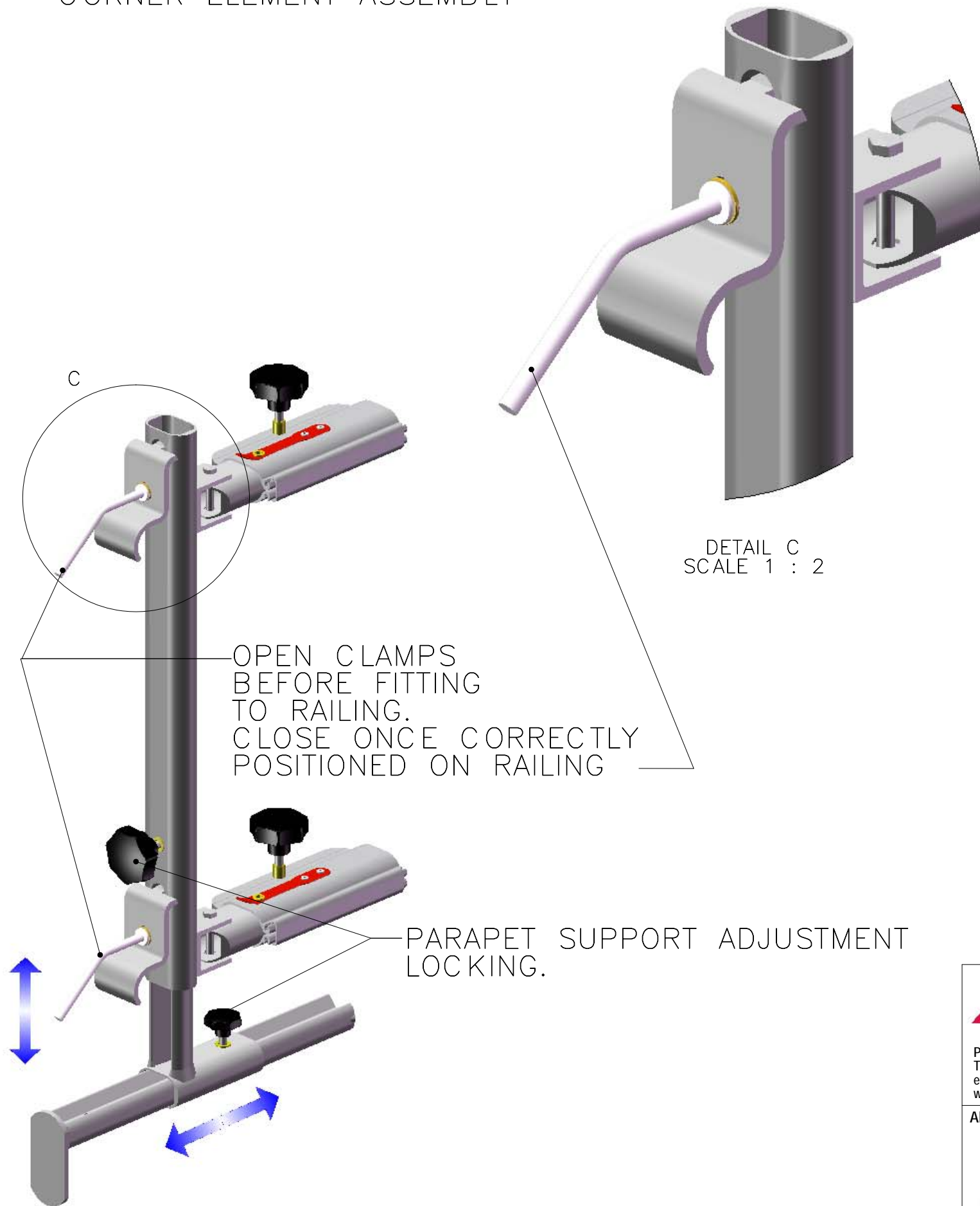
Suhde Scale: 1:20 A3	Piirtänyt Drawn by	HRI	5.11.2014
	Tarkastanut Checked by		
	Hyväksynyt Approved by		
	Rev.		

AluFix Classic 50m Assembly instruction

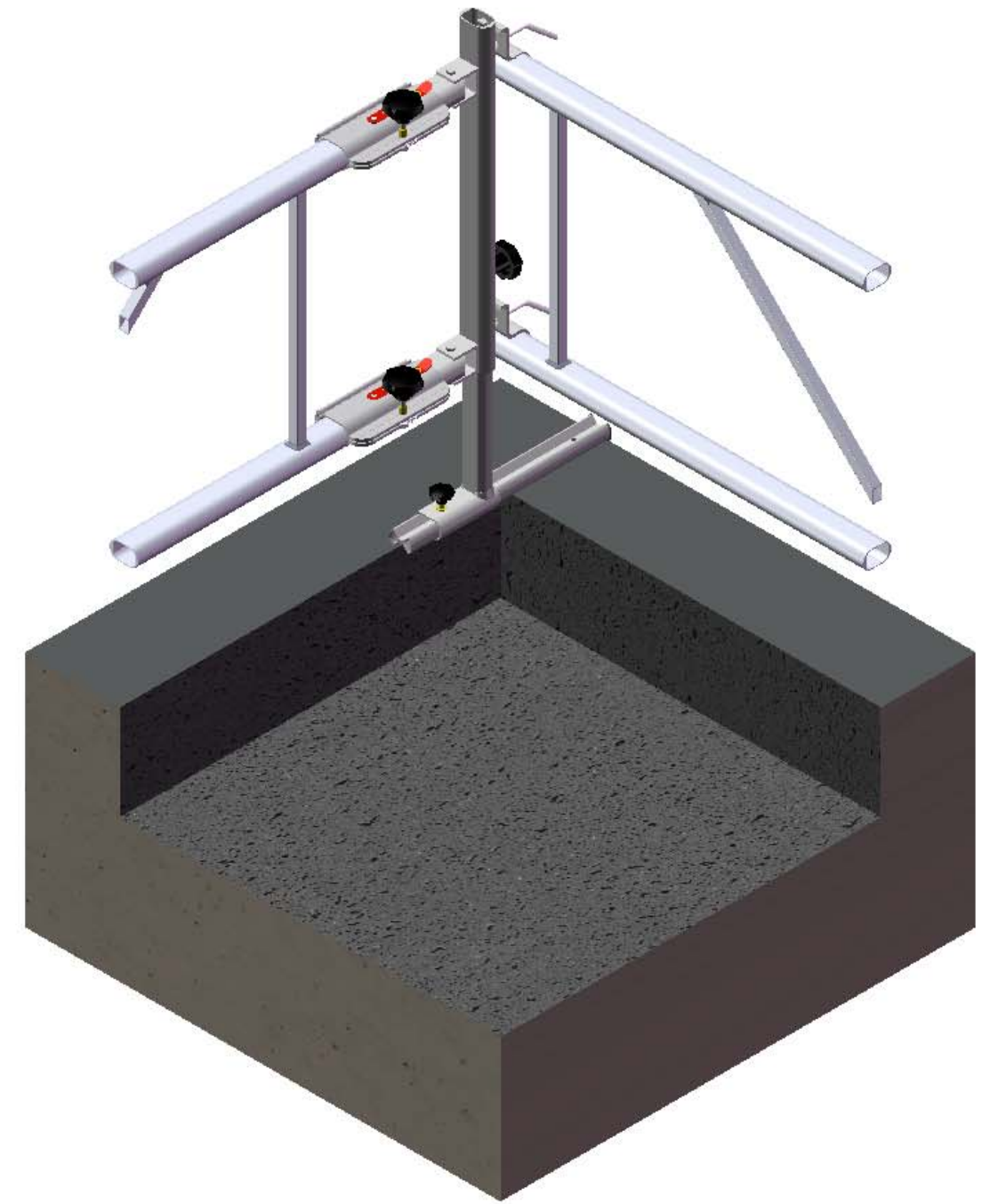
Piirustus numero. Drawing number

AluFix[®] Classic


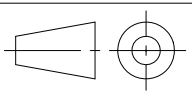

CORNER ELEMENT ASSEMBLY



DETAIL C
SCALE 1 : 2

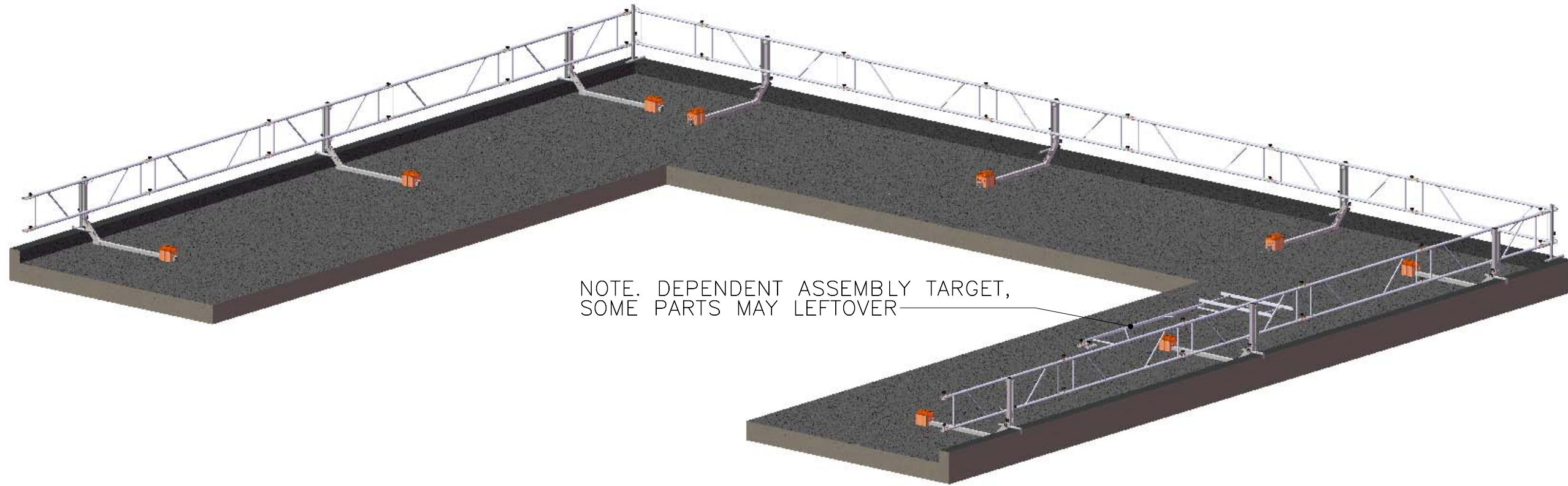


SCALE 1:10

 Pakkasraitti 14 04360 Tuusula Tel.+358 (0)20 7421 700 etunimi.sukunimi@alupro.com www.alupro.com		Suhde Scale:	Piirtänyt Drawn by	HRI	5.11.2014
		1:5	Tarkastanut Checked by		
AluFix Classic 50m Assembly instruction		A3	Hyväksynyt Approved by		
			Rev.		
		Piirustus numero. Drawing number			

READY ASSEMBLY.

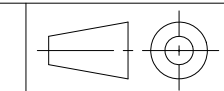
DISASSEMBLY IS THE REVERSE OF ASSEMBLY.



NOTE. DEPENDENT ASSEMBLY TARGET,
SOME PARTS MAY LEFTOVER



Pakkasraitti 14 04360 Tuusula
Tel.+358 (0)20 7421 700
etunimi.sukunimi@alupro.com
www.alupro.com



Suhde Scale: 1:70 A3	Piirtänyt Drawn by	HRI	5.11.2014
	Tarkastanut Checked by		
	Hyväksynyt Approved by		
	Rev.		

AluFix Classic 50m Assembly instruction

AluFix[®] Classic

Piirustus numero. Drawing number