

HEYLO®

Ventilator – PowerVent 8000 *Ventilator, Ventilateurs*



PV 8000

Art.-Nr./Item No/N° d'art.: 1 110 807

11/2012 (DE/EN/FR)

**Dette produktet
kan kjøpes fra:**

Holte
Industri a.s



www.holteindustri.no
Håtveitvegen 13, 3810 Gvarv
Tlf. 35 95 93 00

BEDIENUNGSANLEITUNG / OPERATING INSTRUCTION / MANUEL D'UTILISATION

EU Declaration of Conformity, IIA

In accordance with the EU Machinery Directive 89/392/EEC,
modified by Directive 91/368/EEC

For equipment construction series: Ventilator

Type: PowerVent 8000

HEYLO GmbH, Im Finigen 9, 28832 Achim, declares that the machines mentioned, if installed, maintained and used according to the recognised technical rules, correspond with the basic safety and health requirements of the "Machinery" directive as well as the following terms and standards.

Applicable EC directives:

EN 600335-1:2002 + A2:2006	Specification for safety of machinery (machines Regulation)
EN 60335-2-40:2003 + A11:2004,	Specification for safety of machinery (machines Regulation)
EN 61000-6-3:2007	Electromagnetic compatibility (EMC). Part. 6-3: Generic standards – Emission standard for residential, commercial and light-industrial environments.
EN 61000-6-1:2007	Electromagnetic compatibility (EMC). Part. 6-1: Generic standards – Emission standard for residential, commercial and light-industrial environments
EN 61000-6-2:2006	Electromagnetic compatibility (EMC).
EN 61000-6-3:2008	Electromagnetic compatibility (EMC).
EN 300 220-3 v 1.1.1	Electromagnetic compatibility (ERM).
EN 301 489-3 v 1.4.1	Electromagnetic compatibility (ERC).

These products herewith comply with the requirements per the provisions of the 2004/108/EC. Electromagnetic Compatibility Directive and its amending directives and 2006/95/EC Low Voltage Directive and its amending directives.


All devices have been type tested in accordance with DIN VDE 0700 Part 1 and Part 30

- EN 60 335-1
- EN 60 335-2-30



and bear the CE symbol.

Achim, 04-06-2012

.....

.....
Dr. Thomas Wittleder
- Manager -

Content

Safety Instructions.....	10
1. Introduction.....	11
2. Operation your PowerVent 8000	11
3. Maintenance.....	12
4. Technical Data	13
5. Spare parts list	13

**Dette produktet
kan kjøpes fra:**

Holte 
Industri a.s

www.holteindustri.no
Håtveitvegen 13, 3810 Gvarv
Tlf. 35 95 93 00

Safety Instructions



Read and understand manual before operating.



ELECTRIC SHOCK HAZARD

WARNING! Unit must be grounded.

- Use indoors only.
- Do not operate in standing water.
- If motor or wiring gets wet, allow to dry completely before using.
- Clean with compressed air or vacuum or wipe with a damp cloth. Do not use hose or pressure washer.
- To reduce the risk of fire or electric shock, do not use this airmover with any solid-state speed control device.
- Insert 3-prong plug on power cord only into outlet with Ground Fault Circuit Interrupting device.
- Never cut off third prong.

FIRE HAZARD

- Keep air intakes and grills clear of obstructions and dirt. Reduced airflow can cause motor to overheat. Keep away from draperies or other material that could block air intakes.
- Keep away from open flames and heat sources.
- Do not use or store where flammable vapors such as from gasoline, solvents or thinners may be present.

SAFETY INSTRUCTIONS

WARNING! Unplug unit before opening housing for cleaning or servicing.

- Always operate the unit on a stable, level surface.
- Turn off unit. Unplug unit before lifting or moving. The powerful airflow can make the unit difficult to control.
- Inspect the power cord before use. If cord is damaged, do not use. Replace with a cord of the same type and amperage rating. Protect cord from damage by turning off unit before unplugging. Always grasp the plug (not pulling on the cord) to unplug.
- The unit is designed to operate on a 230V 50 Hz electrical connection. Make sure that the electrical outlet is grounded.
- Handle the unit carefully. Do not drop, throw, or place on unstable surface where it could fall. Rough treatment can damage the unit, and may create a hazardous condition or void the warranty.
- Keep children away from unit. Be sure unit is inaccessible to children when it is not attended.

1. Introduction

The PowerVent 8000 is a high-powered airmover for speed drying of building structures and contents. It is designed for use in commercial carpet or hard surface floor cleaning or water damage restoration, offering maximum airflow with minimal amp draw.

The PowerVent 8000 Features:

- Two protective grills; with built-in duct connection
- High powered airflow
- 0,75 kW motor

2. Operating your PowerVent 8000

Placement

For optimal wall and floor drying, place at least one PowerVent 8000 per room against walls (with the Shell arrow pointed to the wall), with multiple units spaced 10-14 feet apart and facing the same direction. Place as many as needed for maximum airflow across all wet areas of the floor.

Ensure that all wet surfaces receive good airflow. Open interior doors to maintain good air circulation. Doors may need to be braced to prevent them from blowing shut.

Getting Started

1. Place the unit in the desired operating position with the airflow arrow pointing in the direction of the airflow.
2. Plug power cord into a standard 230 V grounded outlet.
3. Set the switch to the "ON" position.
4. Check for proper operation before leaving the unit unattended. Do not move or carry the PowerVent 8000 when it is running.

Transporting

When transporting in a vehicle, secure the PowerVent 8000 and strap it into place to prevent sliding and possible injury to the unit and vehicle occupants.

NOTICE! Store securely to avoid any damaging impact to the motor, blades and other internal parts.

3. Maintenance

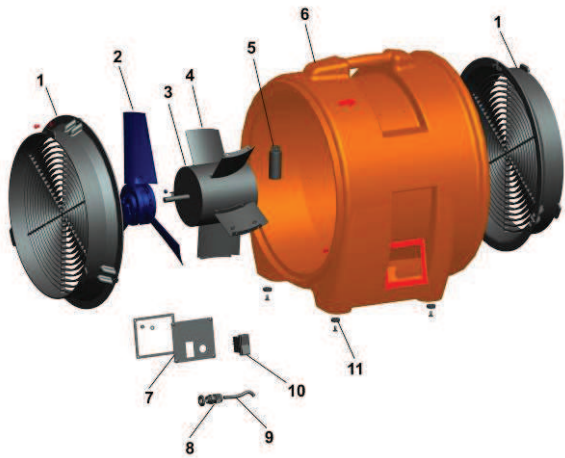


Fig-No.	Description	Fig-No.	Description
1	Duct Grill	7	Switch plate
2	Fan	8	Strain relief
3	Motor	9	Power Cord
4	Control Vane	10	Switch
5	Capacitor	11	Foot
6	Housing		

WARNING! Turn off and unplug unit before servicing or clearing obstructions. The blade can still rotate when the housing is unhinged and the unit is on.

Before Each Use

INSPECT POWER CORD: Inspect power cord for cuts, fraying or damage; do not use if damaged.

Weekly Maintenance

CLEAN GRILLS: Inspect blades for dirt, dust and debris. A buildup of lint and dust will reduce the airflow and may cause the motor to overheat and become a fire hazard. If dirty, wipe down the blades with a damp cloth. Clean off any accumulated lint or other materials from the protective grill cover. Use a vacuum or a damp cloth to remove lint and dust from motor and grill covers. **WARNING!** Do not allow water into the motor.

EXTERIOR INSPECTION: Inspect exterior components and make sure they are properly installed. Listen to the unit for abnormal sounds. Repair or replace components as needed.

CLEAN EXTERIOR: Clean the housing with a damp cloth. Bring back the original shine with a vinyl cleaner/polish like those used on automobile plastics.

Monthly Maintenance

INSPECT ELECTRICAL SYSTEM: Inspect the electrical cord for damage at regular intervals. Periodically, remove the housing and inspect internal wiring for bare wires, insecure fasteners, and discoloration. Remove and repair any damaged wiring as needed. Failure to do so may lead to electrical shock or a fire hazard. **WARNING!** Damaged wiring can cause electric shock or fire hazard.

MOTOR BEARINGS: The bearings on all HEYLO-Dri-Eaz airmovers are permanently lubricated. Do not oil.

4. Technical Data

Model	PowerVent 8000
Air-handling capacity (m ³ /h)	7560
Compression (Pa)	600
Electrical connection (V/Hz)	230/50
Power (kW)	0,64 kW
Power Consumption [drain] (A)	3,4
Height x Width x Length (mm)	580 x 530 x 510
Cord Length (m)	7,62
Weight (kg)	17
Stackable	Yes

Specifications are subject to change without notice. Some values may be approximate.

5. Spare parts list

Front View

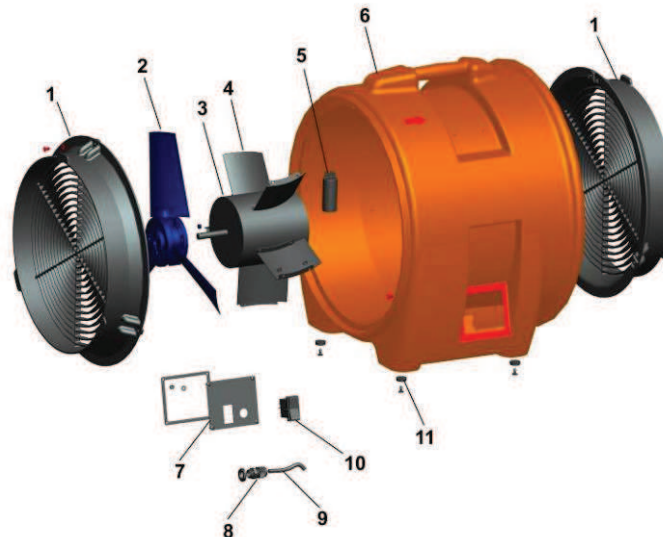


Fig-No.	Description	Item No.	Fig-No.	Description	Item No.
1	Duct Grill	1760900	7	Switch plate	1760906
2	Fan	1760901	8	Strain relief	1760907
3	Motor	1760902	9	Power Cord	1760908
4	Control Vane	1760903	10	Switch	1760909
5	Capacitor	1760904	11	Foot	1760910
6	Housing	1760905			